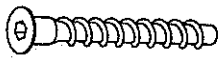


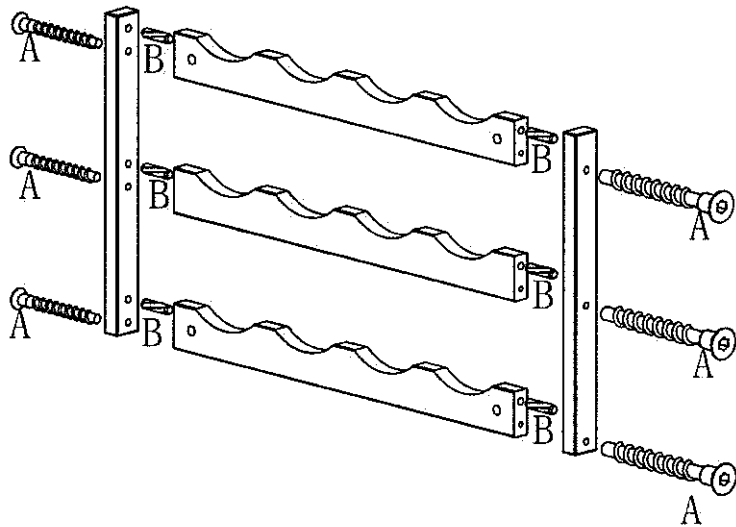


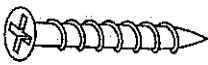
ASSEMBLY INSTRUCTION

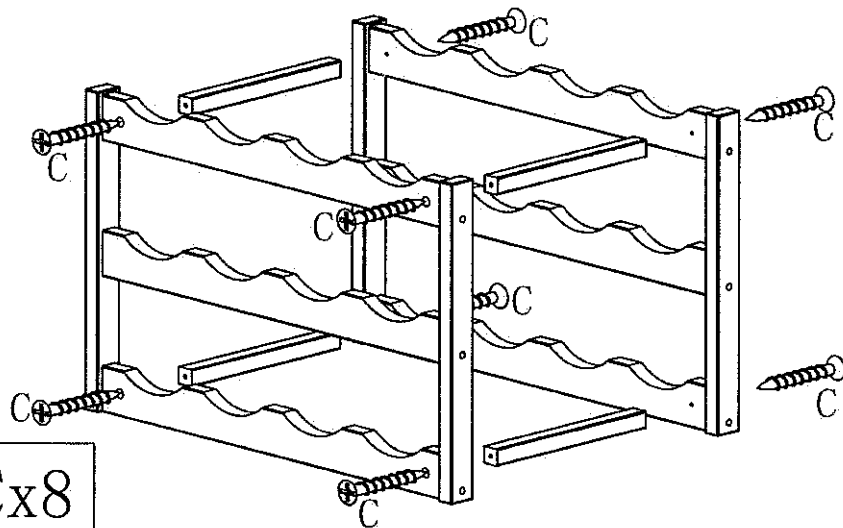
①

	Ax12
	Bx12
	Dx1



②

	Cx8
---	-----



③

