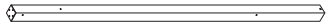

















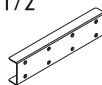
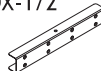





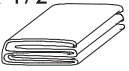









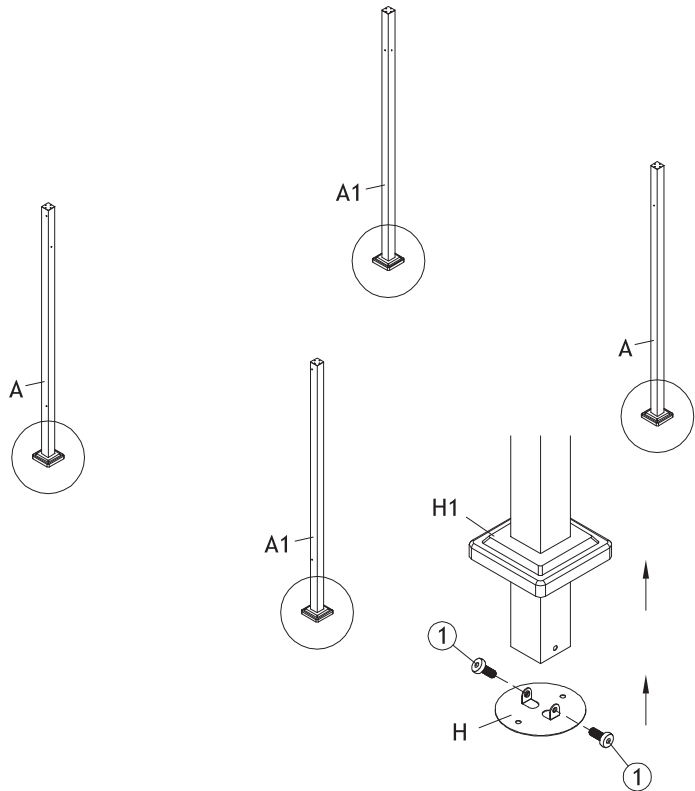
0P3348+

Parts list

BOX-1/2  A x 2PCS		BOX-1/2  A1 x 2PCS			
BOX-1/2  B x 2PCS		BOX-1/2  B1 x 2PCS			
BOX-2/2  C x 2PCS		BOX-2/2  C1 x 2PCS			
BOX-2/2  D x 10PCS		BOX-2/2  E x 4PCS		BOX-2/2  F x 2PCS	
BOX-2/2  F1 x 2PCS	BOX-2/2  G x 2PCS	BOX-2/2  G1 x 2PCS	BOX-2/2  H x 4PCS		
BOX-2/2  H1 x 4PCS	BOX-1/2  I x 4PCS	BOX-1/2  I1 x 4PCS	BOX-2/2  J x 8PCS		
BOX-2/2  J1 x 10PCS	BOX-1/2  K x 2PCS	BOX-1/2  K1 x 2PCS	BOX-1/2  L x 5PCS		
BOX-2/2  M x 4PCS	BOX-2/2  N x 8PCS	BOX-2/2  P x 2PCS	BOX-2/2  P1 x 2PCS		

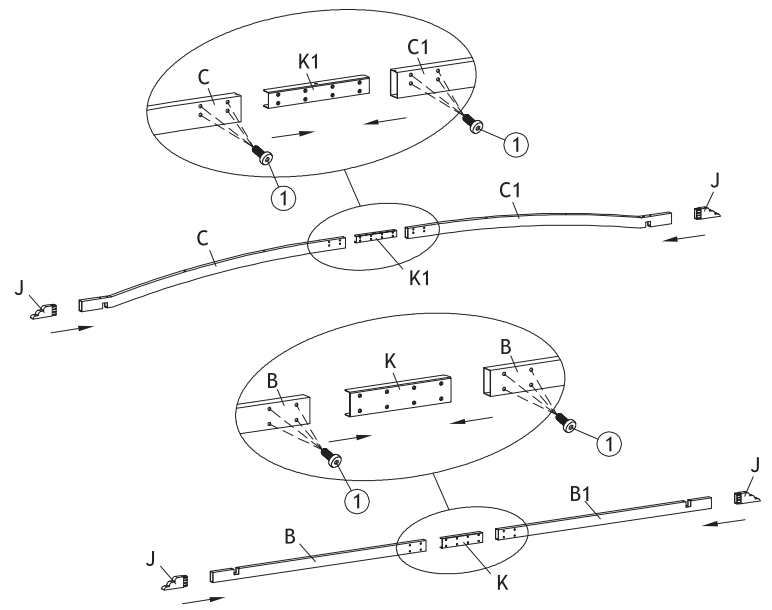
BOX-1/2  Q x 1PC	BOX-2/2  R x 8PCS	BOX-1/2  S x 10PCS	BOX-2/2  T x 1PC
BOX-2/2  M6x15mm ① x 88PCS	BOX-2/2  M6x55mm ② x 10PCS	BOX-2/2  M6x75mm ③ x 16PCS	BOX-2/2  ④ x 4PCS

STEP 1

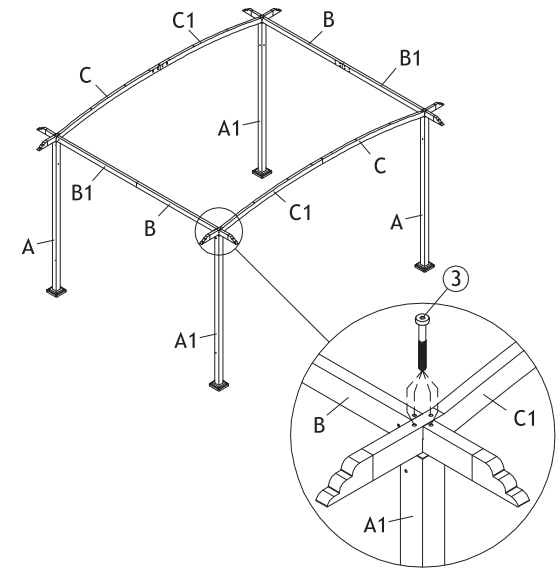


STEP 2

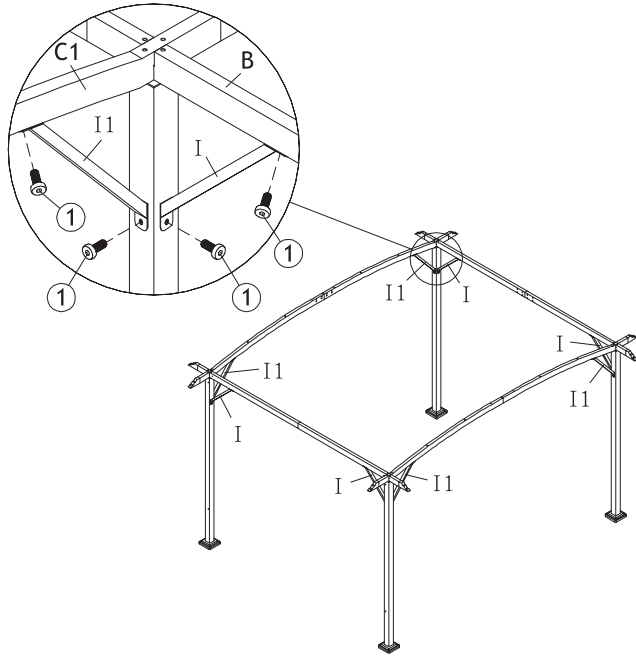
Please tighten the rope of canopy in each side before using, especially before bad weather.



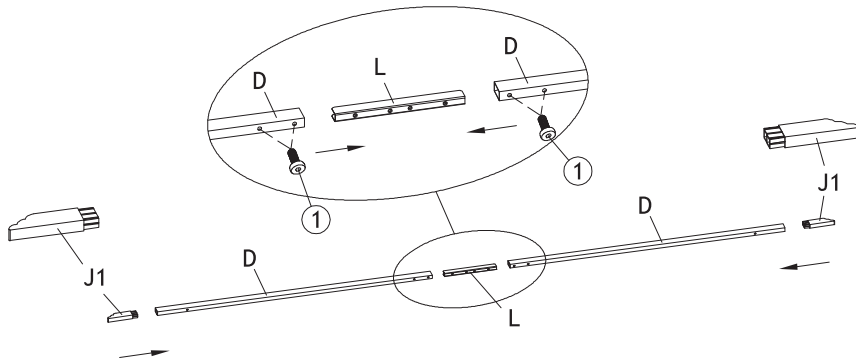
STEP 3



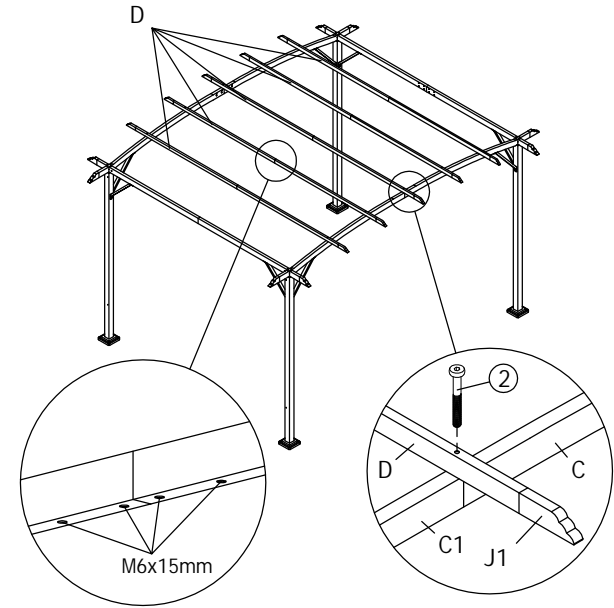
#### STEP 4



STEP 5 Please tighten the rope of canopy in each side before using, especially before bad weather.

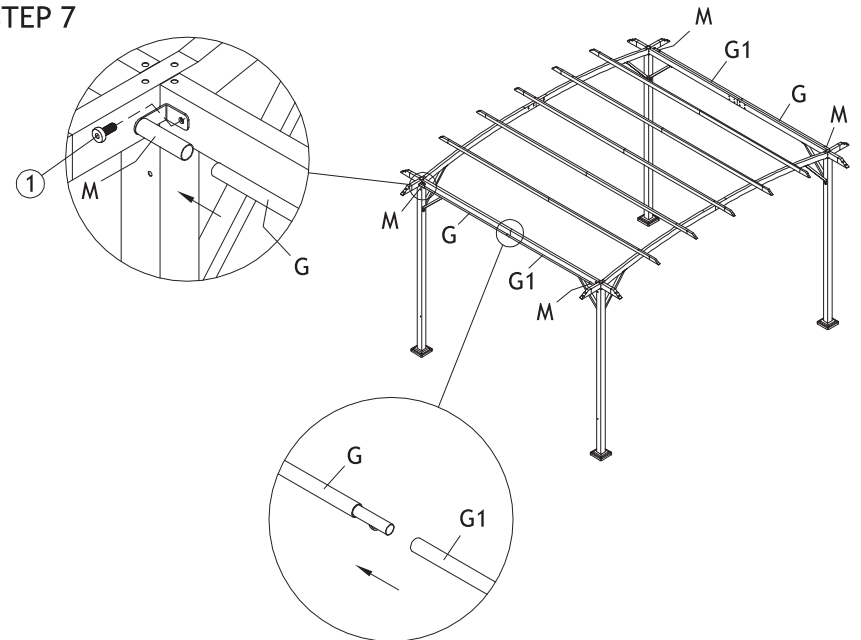


#### STEP 6

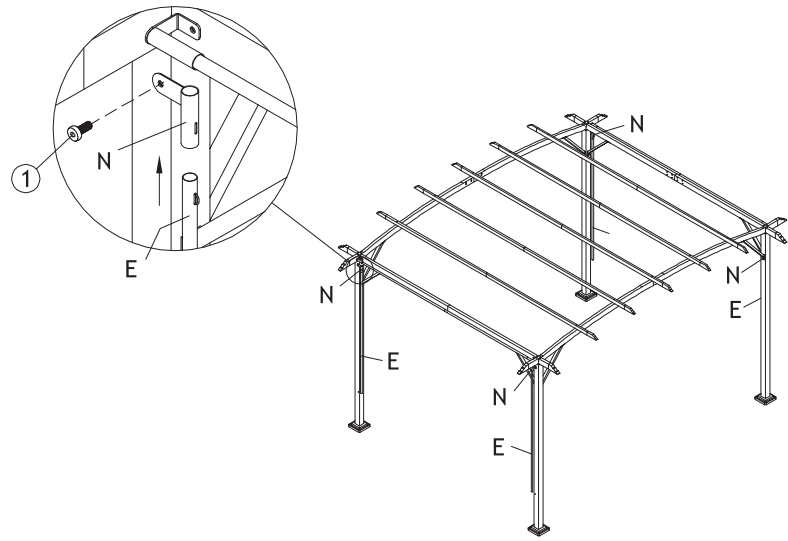


Turn the screw-mounted side towards the ground

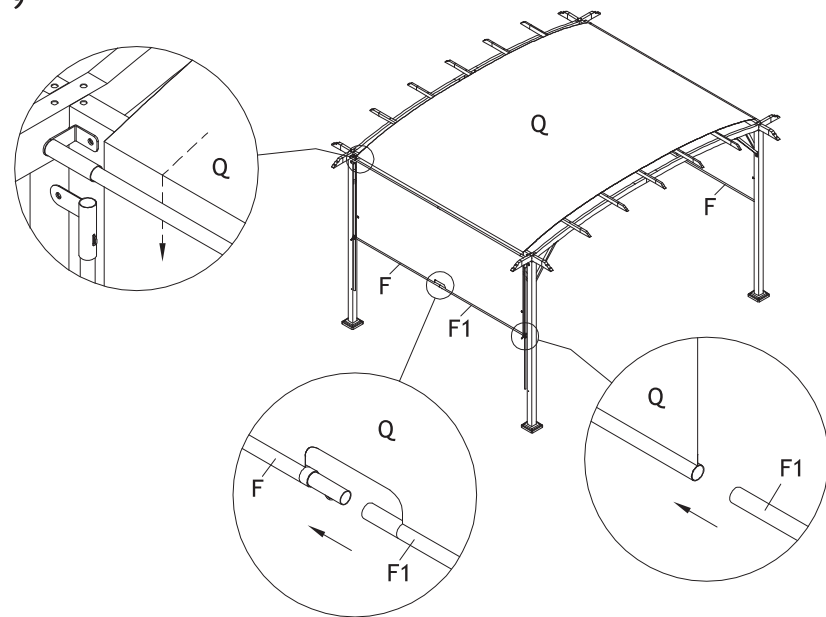
#### STEP 7



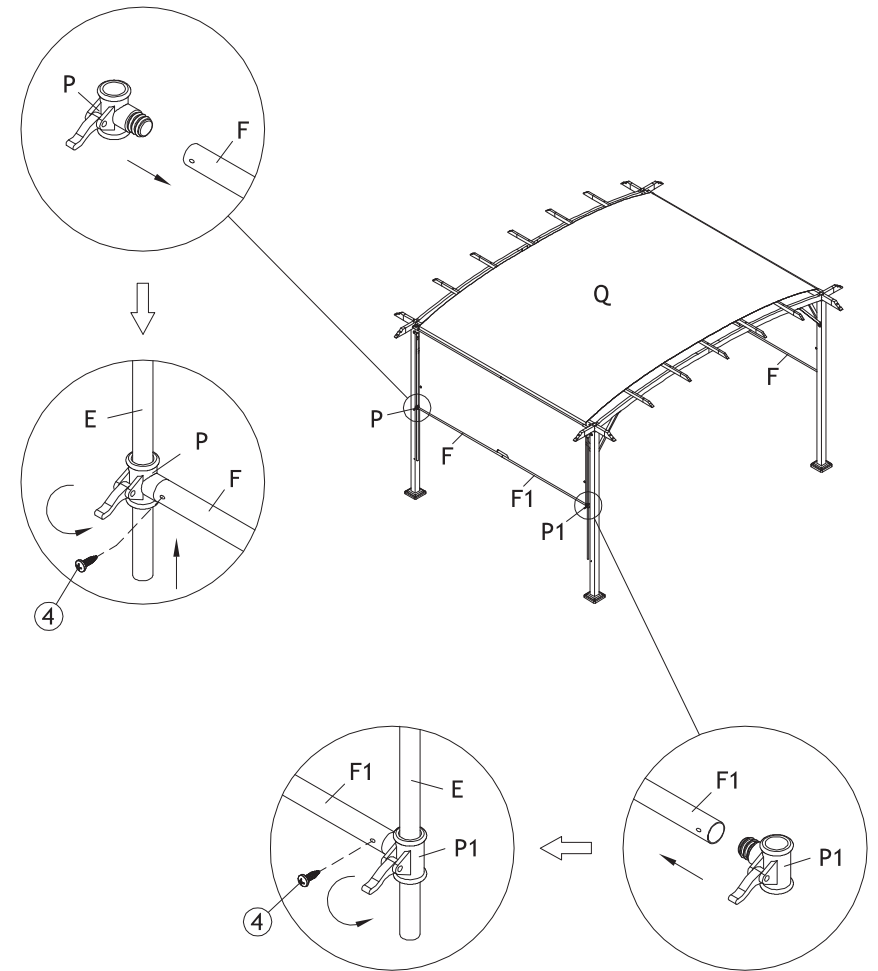
### STEP 8



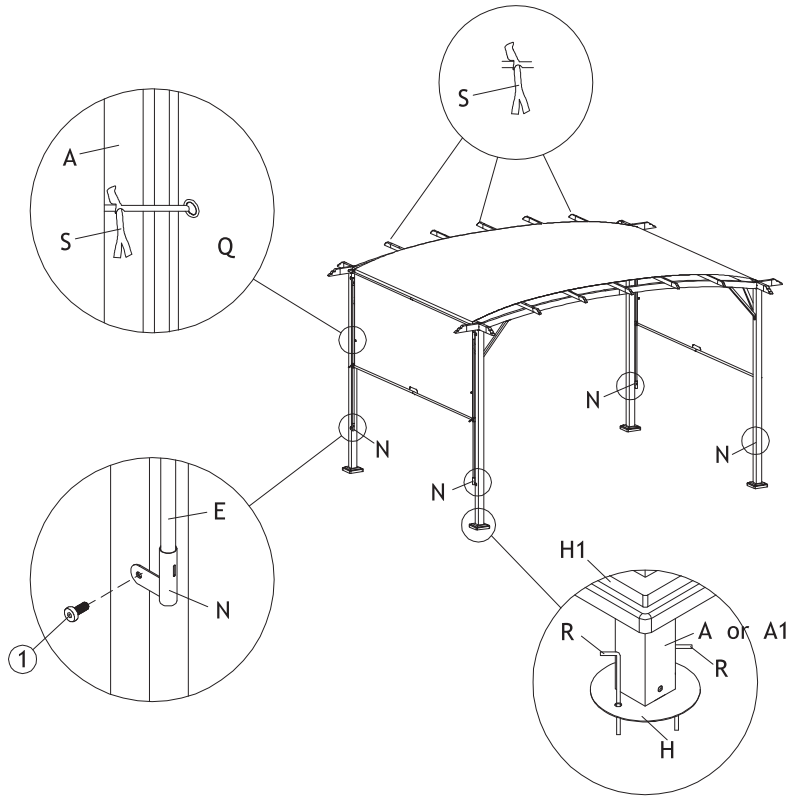
### STEP 9



### STEP 10



**STEP 11** Please tighten the rope of canopy in each side before using, especially before bad weather.



Note: This gazebo is meant to be used for decorative and sunshade purpose only, not meant to withstand any elements of the weather.

Please tighten the rope of canopy in each side before using, especially before bad weather.

Please read these instructions carefully before starting assembly.

- 1). Do not cook underneath gazebo.
- 2). Do not ignite fireworks underneath gazebo.
- 3). Please keep the parts list, it could be useful to reorder some parts for service if necessary.