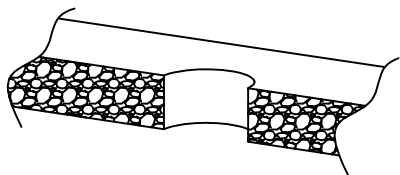
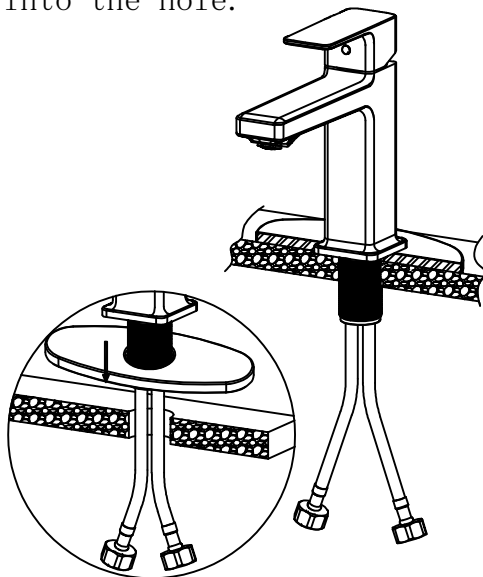


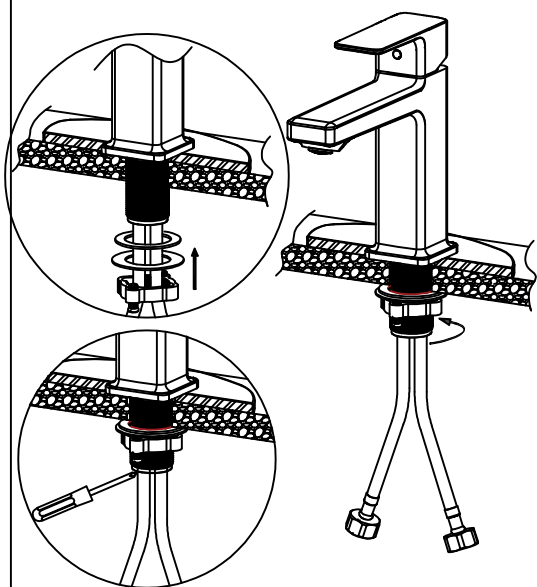
1. Before installing the faucet, make sure there is a hole ($\phi 35 - \phi 40\text{mm}$) in the table. Then clean up around the hole.



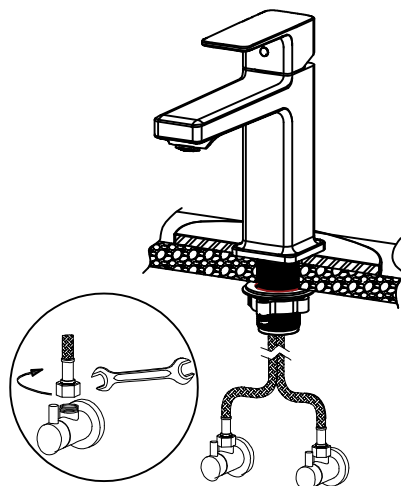
2. Install the body with the inlet tube and Metal plate into the hole.



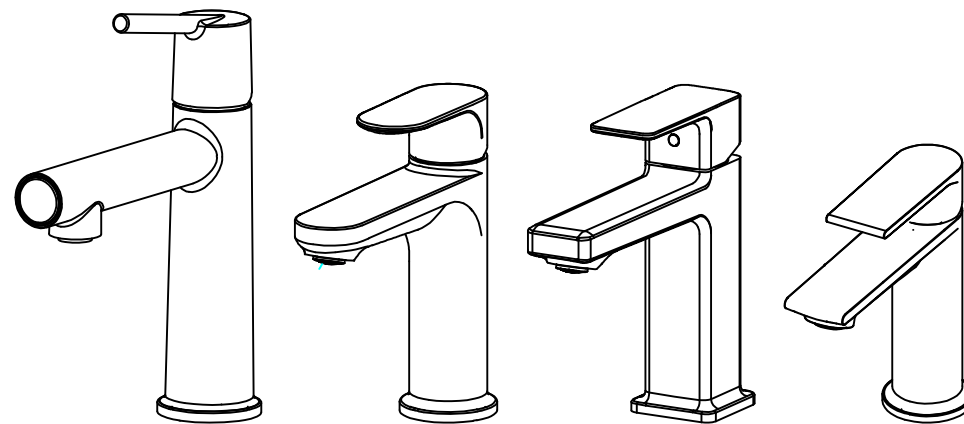
3. Link the nut with the pipe of body under the table. Use a screwdriver to tighten the screws.



4. Link the inlet tubes of body with cartridges. The red one is for hot water and the blue one is for the cold water. Turn on the tap in order to check if.



INSTRUCTION FOR SINGLE HANDLE TAP



PAY ATTENTION:

1. THIS PRODUCT IS TESTED SERIOUSLY TO BE USED BY CUSTOMERS PLEASE DO NOT DETACH AND INSTALL IT BY YOURSELF.
2. PLEASE FOLLOW THE INSTRUCTION TO INSTALL THE PRODUCT IN CASE OF DAMAGE.

MAINTENANCE:

1. Often, clean up with water and wipe the tap with a rag.
2. If the first way doesn't work, use detergent. Then repeat the first way.
3. The tools like metal brush are not allowed to be used for cleaning the faucet.
4. Acidic or alkaline detergents are not allowed to be used for cleaning the faucet.