

# ASSEMBLY INSTRUCTION

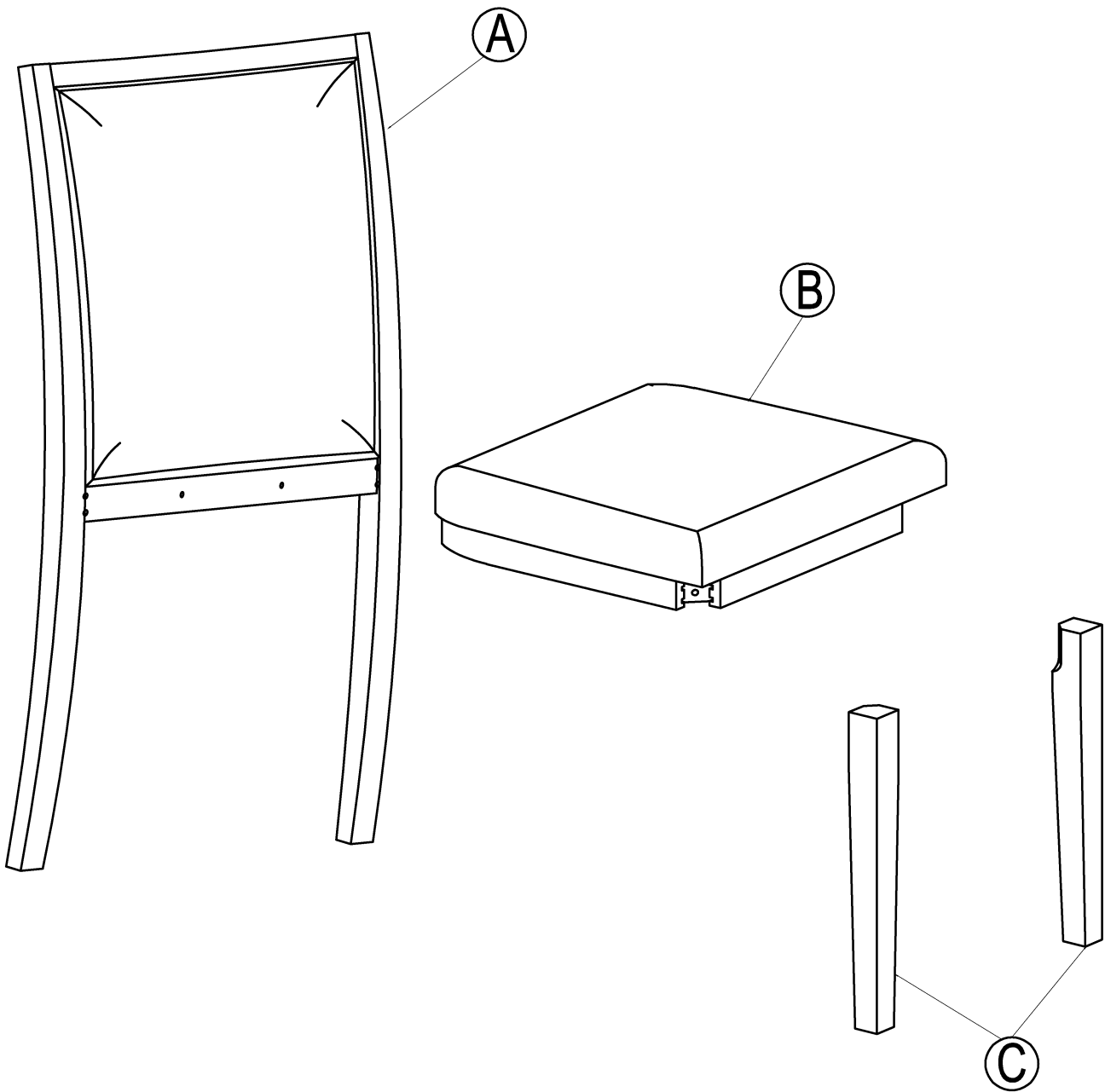
Please read these instructions fully before starting assembly:

1. Place all wooden parts on a clean and smooth surface such as a rug or carpet to avoid scratching the parts.
2. Kindly follow the assembly instructions step by step.
3. Do not tighten all screws and bolts until the table is fully assembled.
4. Unscrew the protective plastique supports from the metal insert of the table legs before assembly.
5. Parts of the assembly will be easier with 2 people.

Care and maintenance:

Only clean using a damp cloth and mild detergent, do not use bleach or abrasive cleaners.

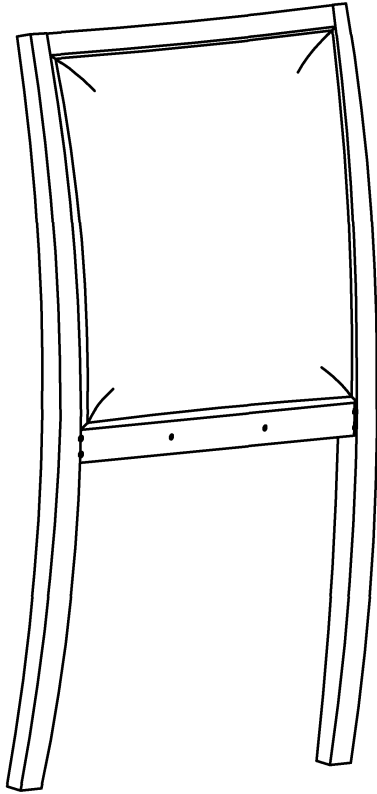
# ASSEMBLY INSTRUCTION



# ASSEMBLY INSTRUCTION

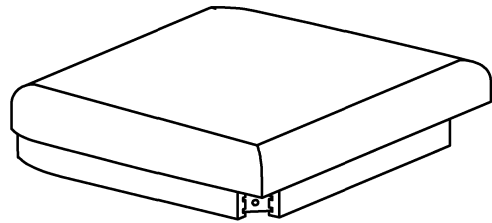
## Part List

(A)



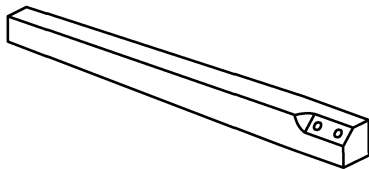
BACK FRAME (4 pcs)

(B)



SEAT FRAME (4 pcs)

(C)

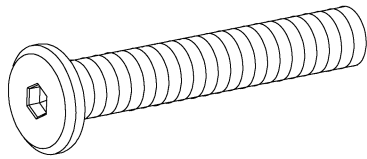


LEG (8 pcs)

# ASSEMBLY INSTRUCTION

## Hardware List

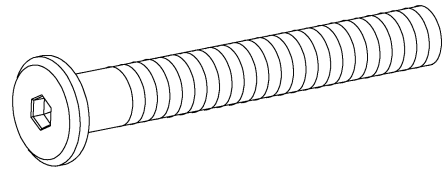
①



Ø 1/4" x 40 mm

BOLT (8 pcs)

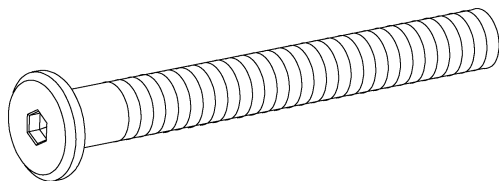
②



Ø 1/4" x 55 mm

BOLT (16 pcs)

③



Ø 1/4" x 75 mm

BOLT (16 pcs)

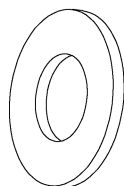
④



Ø5/16" x 13 mm

LOCK WASHER (40 pcs)

⑤



Ø5/16" x 19 mm

FLAT WASHER (40 pcs)

⑥

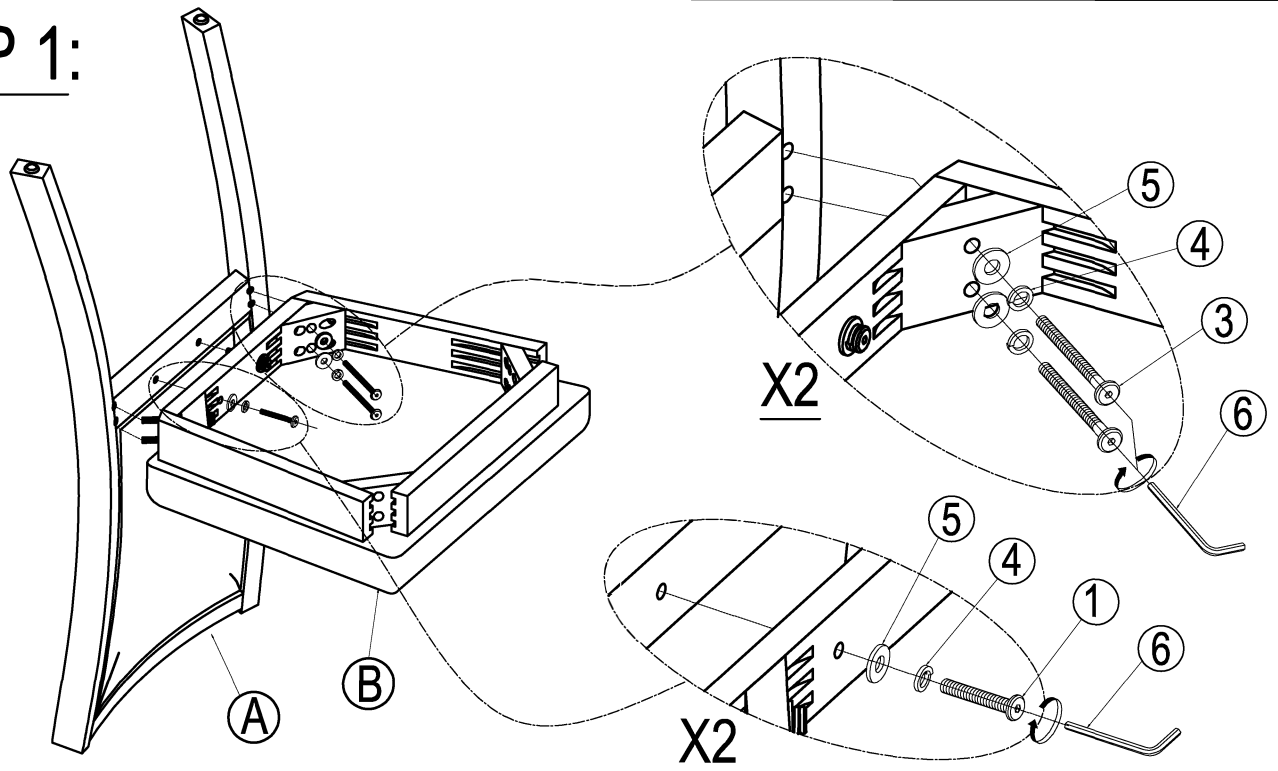







4 mm

ALLEN KEY (4 pcs)

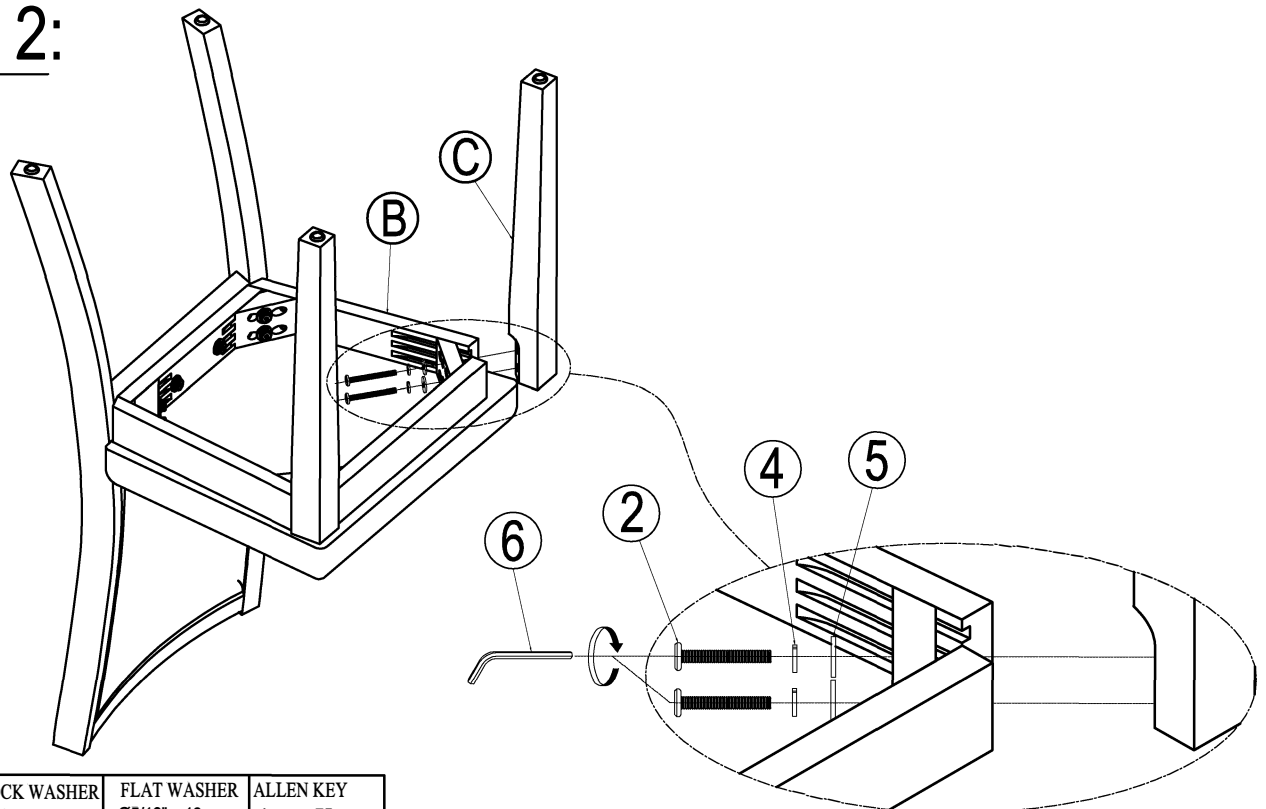
# ASSEMBLY INSTRUCTION





## STEP 1:



<b>BOLT</b> $\varnothing$ 1/4" x 40 mm  ① x 8	<b>BOLT</b> $\varnothing$ 1/4" x 75 mm  ③ x 16	<b>LOCK WASHER</b> $\varnothing$ 5/16" x 13 mm  ④ x 24	<b>FLAT WASHER</b> $\varnothing$ 5/16" x 19mm  ⑤ x 24	<b>ALLEN KEY</b> 4 mm x 75mm  ⑥ x 1
--	--	--	---	---

## STEP 2:



<b>BOLT</b> $\varnothing$ 1/4" x 55 mm  ② x 16	<b>LOCK WASHER</b> $\varnothing$ 5/16" x 13 mm  ④ x 16	<b>FLAT WASHER</b> $\varnothing$ 5/16" x 19mm  ⑤ x 16	<b>ALLEN KEY</b> 4 mm x 75mm  ⑥ x 1
---	--	---	---

**X2**

# ASSEMBLY INSTRUCTION

COMPLETE

