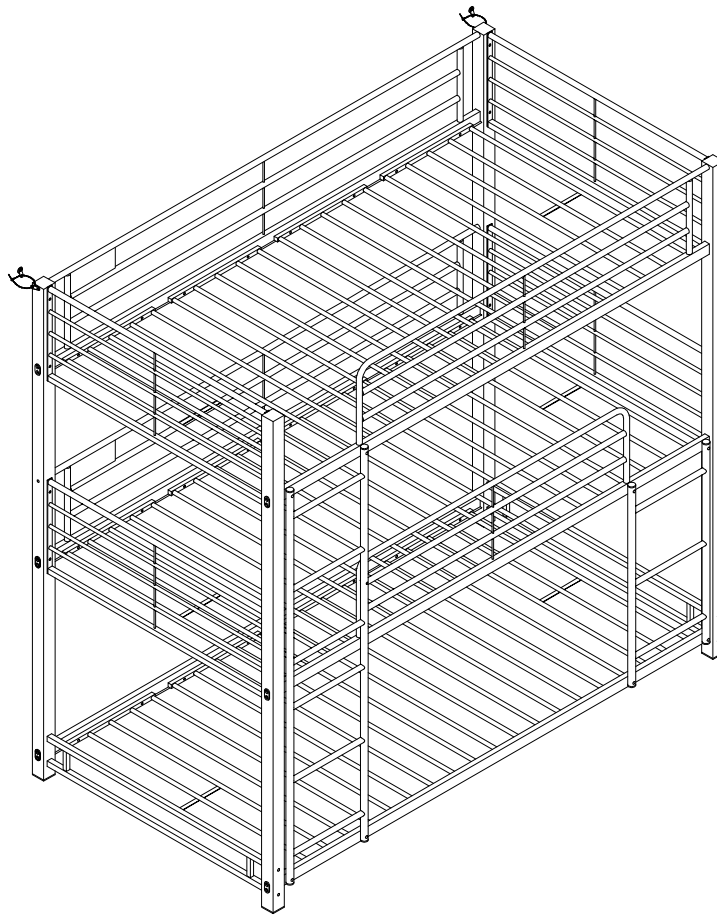


# Assembly Instructions



## ASSEMBLY RATING

The Assembly Rating is a 5-point system that shows the degree of effort needed in assembling a specific product (with 1 being easy and 5 being difficult). For some products, two persons are recommended.

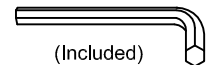
EASY



DIFFICULT

## Tools Required For Assembly:

Allen Wrench

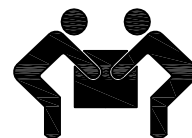


(Included)

Phillips Screwdriver



(Not Included)

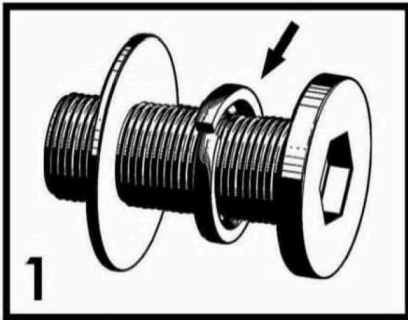


2 PERSONS RECOMMENDED

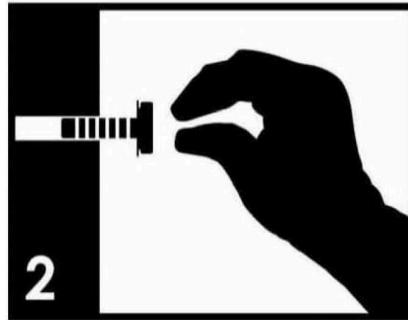
# ASSEMBLY & CARE ADVICE

FOR YOUR FURNITURE TO LAST, CORRECT ASSEMBLY AND PROPER MAINTENANCE ARE NECESSARY. PLEASE FOLLOW THE INFORMATION PROVIDED BELOW TO FULLY ENJOY YOUR FURNITURE.

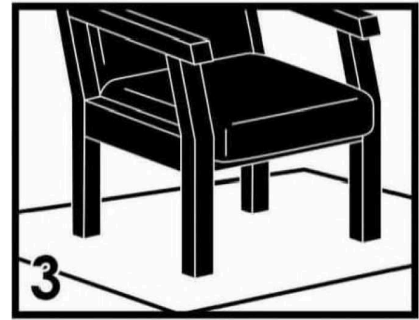
## BASIC ASSEMBLY TECHNIQUES



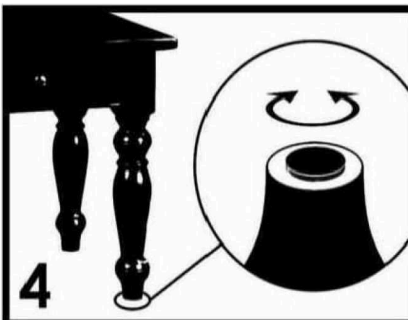
When lock or spring washer is used in an assembly, please make sure the lock or spring washer is placed between the larger flat washer and the head of the screw or bolt.



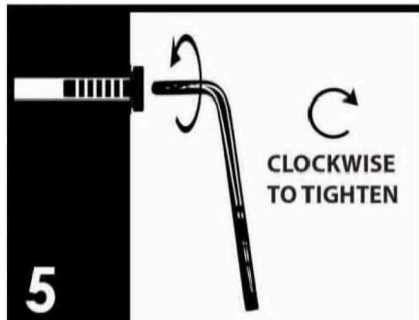
Position each part correctly and insert screws or bolts into their respective holes by hand tighten or using the proper hand tool. Only tighten when step is completed or when instructed to do so.



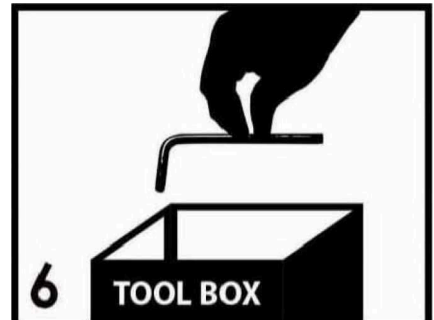
Use cardboard or carpet area when assembling furniture to prevent scratches. Make sure the furniture rests on a flat and level surface with each leg evenly touching the floor.



Some furniture comes with height adjustment knobs underneath each leg. To lower or to raise each leg, you need to turn clockwise or counterclockwise, respectively.

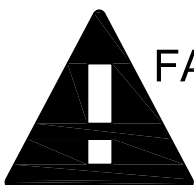


Make sure all parts are properly aligned, then use the appropriate hand tool to completely tighten the bolts or screws. Do not use power tools and do not overtighten.

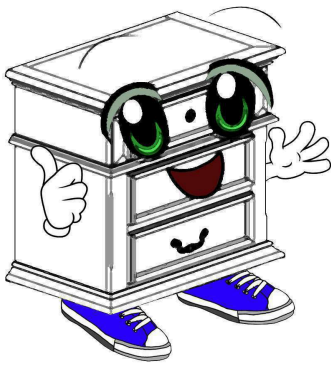


Save the instructions and store the Allen wrench or any supplied tool for later maintenance. After two weeks, check and tighten any loose hardware and repeat again every six months thereafter.

IT IS THE USER'S RESPONSIBILITY TO MAINTAIN THE FURNITURE. THE HARDWARE MAY LOOSEN OVER TIME AND MAY CAUSE THE FURNITURE TO BE WOBBLY AND UNABLE TO SUPPORT ITS INTENDED WEIGHT CAPACITY. THIS MAY LEAD TO COLLAPSE AND MAY CAUSE SERIOUS INJURY.



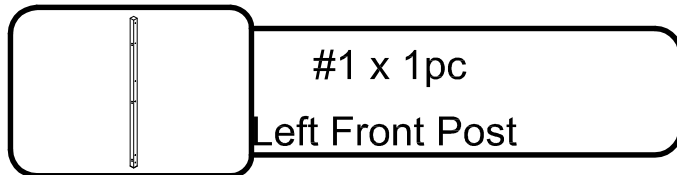
**FAILURE TO FOLLOW THE GUIDELINES ABOVE MAY RESULT IN INJURY AND/OR PROPERTY DAMAGE.**



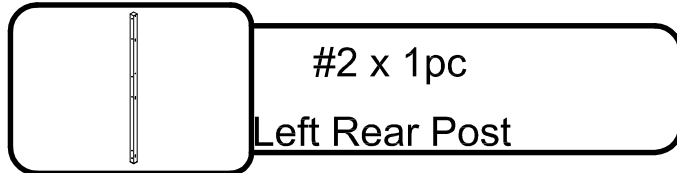
Before you begin, please read Page 2 of "Assembly and Care Advice".

And remember, do not tighten until each step is completed or instructed.

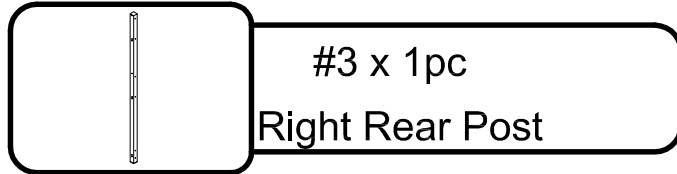
## Parts List



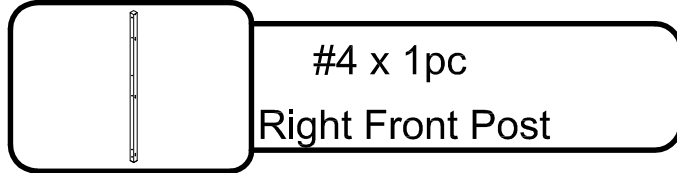
#1 x 1pc  
Left Front Post



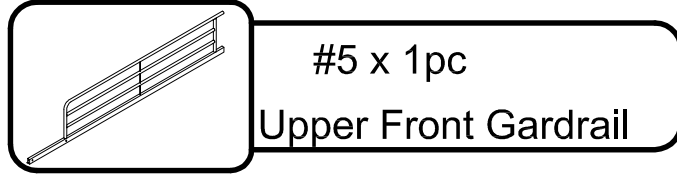
#2 x 1pc  
Left Rear Post



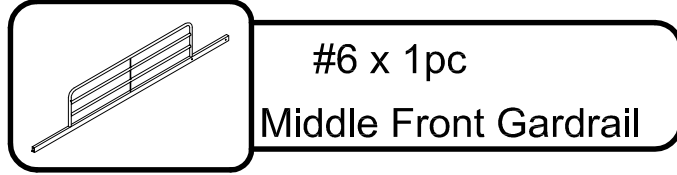
#3 x 1pc  
Right Rear Post



#4 x 1pc  
Right Front Post



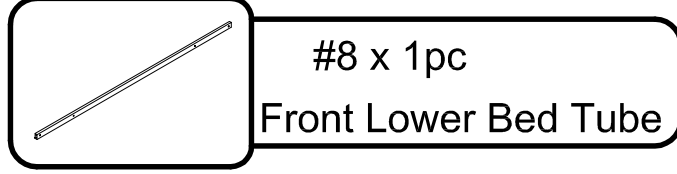
#5 x 1pc  
Upper Front Gardrail



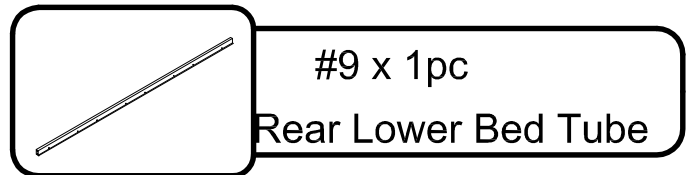
#6 x 1pc  
Middle Front Gardrail



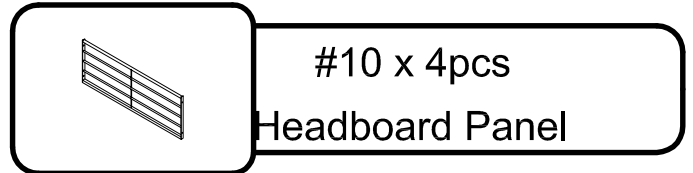
#7 x 2pcs  
Rear Gardrail



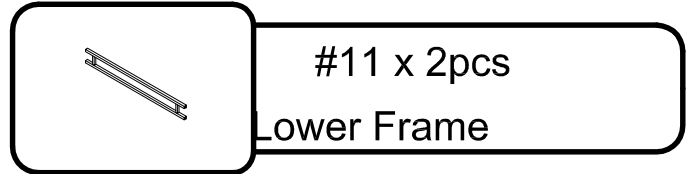
#8 x 1pc  
Front Lower Bed Tube



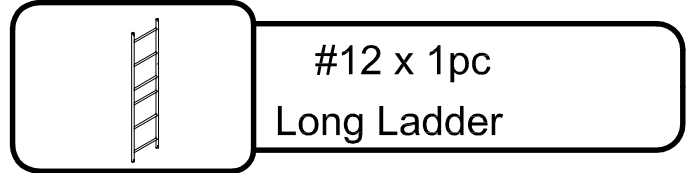
#9 x 1pc  
Rear Lower Bed Tube



#10 x 4pcs  
Headboard Panel



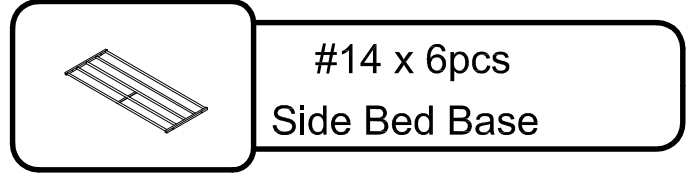
#11 x 2pcs  
Lower Frame



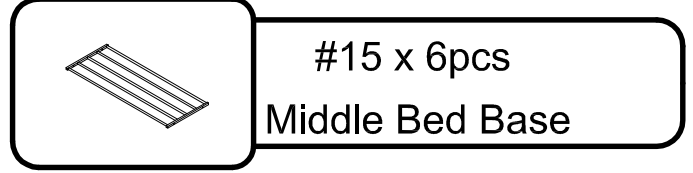
#12 x 1pc  
Long Ladder



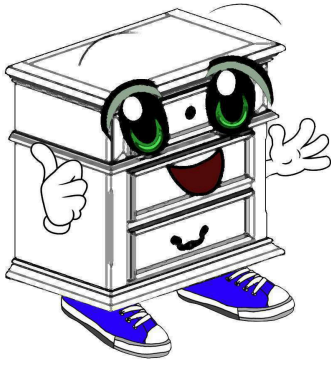
#13 x 1pc  
Short Ladder



#14 x 6pcs  
Side Bed Base



#15 x 6pcs  
Middle Bed Base



Before you begin, please read Page 2 of "Assembly and Care Advice".

And remember, do not tighten until each step is completed or instructed.

### Hardware List



#A x 16pcs  
Bolt 1/4"x 5/8"



#B x 48pcs  
Bolt 1/4"x 1"



#C x 1pc  
Allen Wrench M4



#D x 9pcs  
Bolt 1/4"x 1-3/8"



#E x 13pcs  
Bolt 1/4"x 3"



#F x 24pcs  
Bolt 1/4"x 3"



#G x 2pcs  
Screw M4x37



#H x 4pcs  
Metal Plate

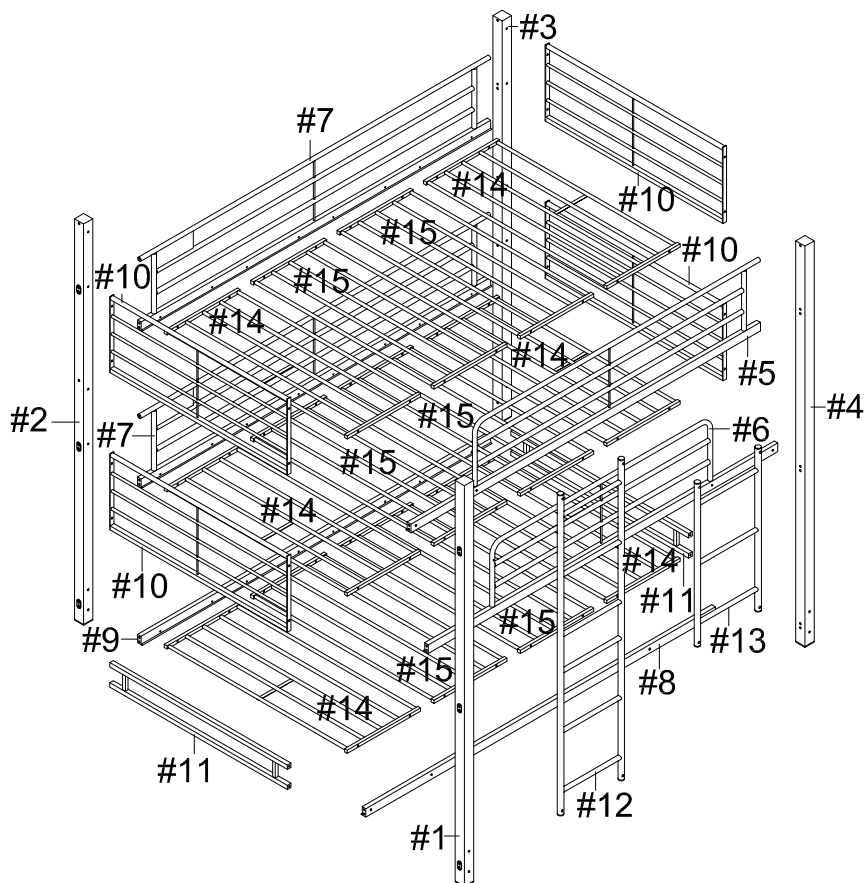


#I x 2pcs  
Bracket



#J x 2pcs  
Girding

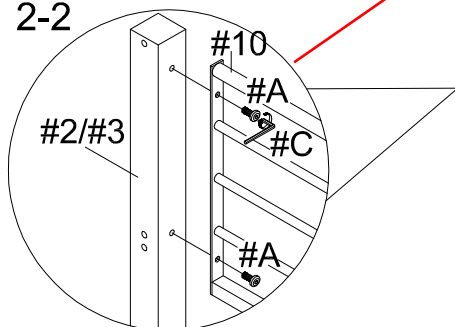
# Exploded View



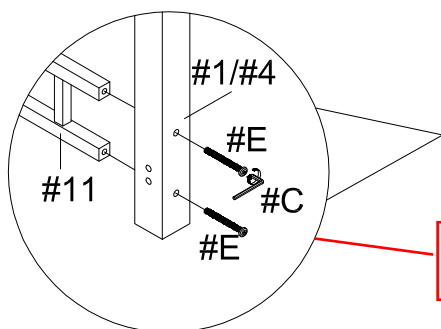
#A x 16pcs  
#E x 8pcs

2) Align headboard panels (#10) to the holes of the posts (#1,2,3,4).  
Secure by using bolts (#A).

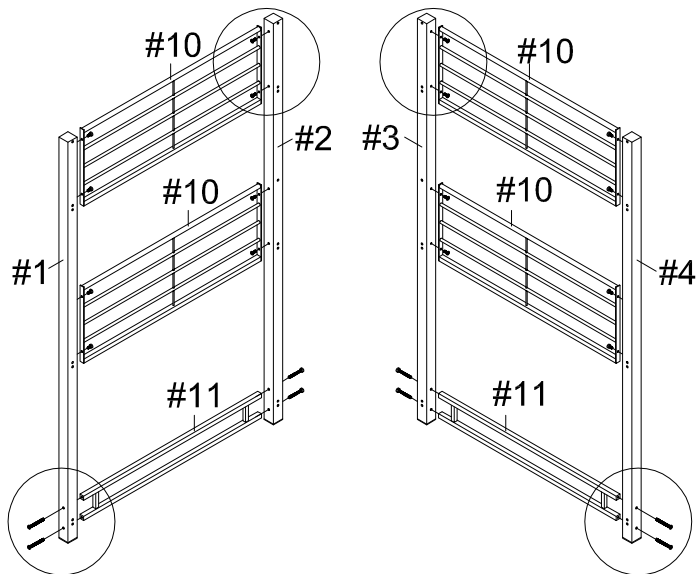
2-2



2-1



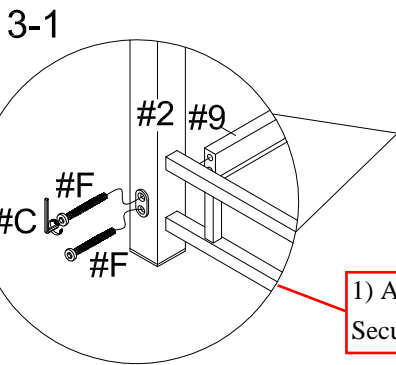
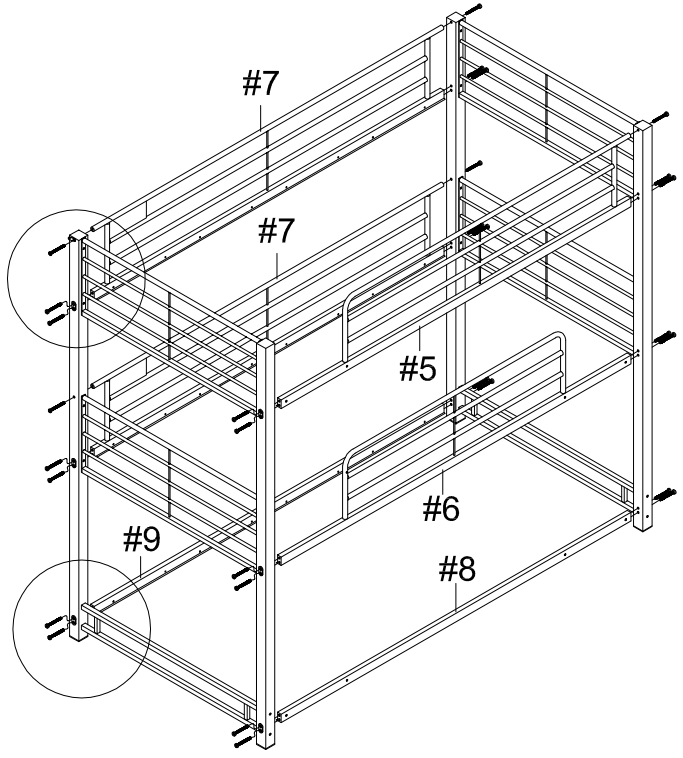
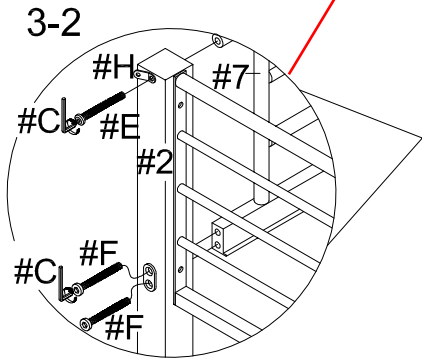
1) Align lower frame (#11) to the holes of the posts (#1,2,3,4).  
Secure by using bolts (#E).





#E x 5pcs  
 #F x 24pcs  
 #H x 2pcs

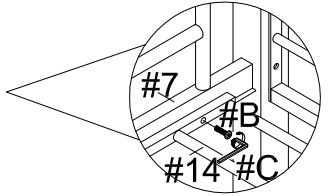
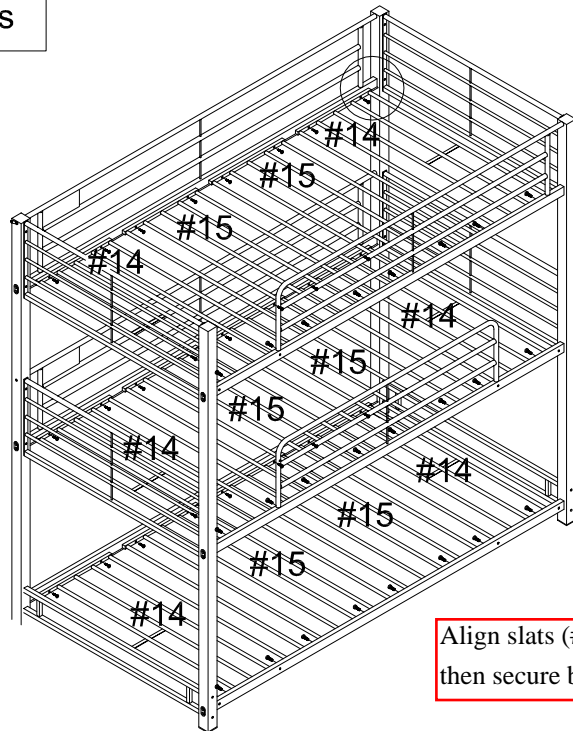
2) Align guardrails (#5,6,7) to the holes of the headboards, then secure by using bolts (#E,F) as shown in the picture.



1) Align lower tubes (#8,9) to the holes of the headboards. Secure by using bolts (#F).



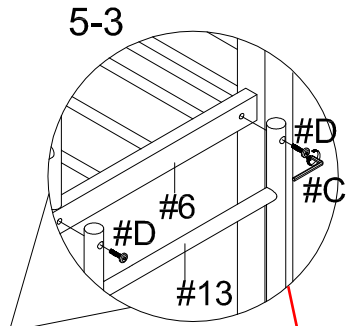
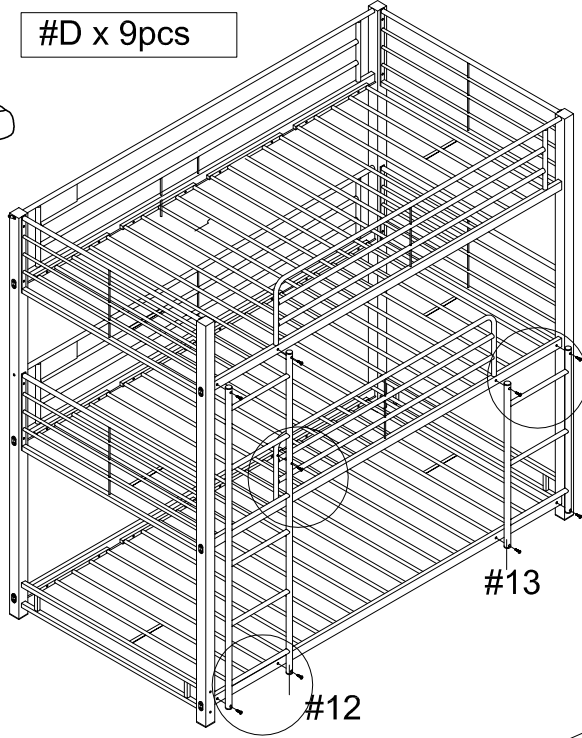
#B x 48pcs



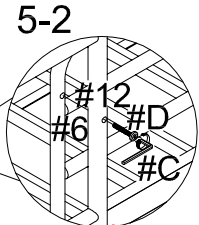
Align slats (#14,15) to the holes of the bunks, then secure by using bolts (#B).



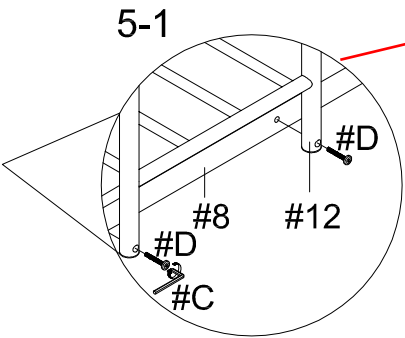
#D x 9pcs



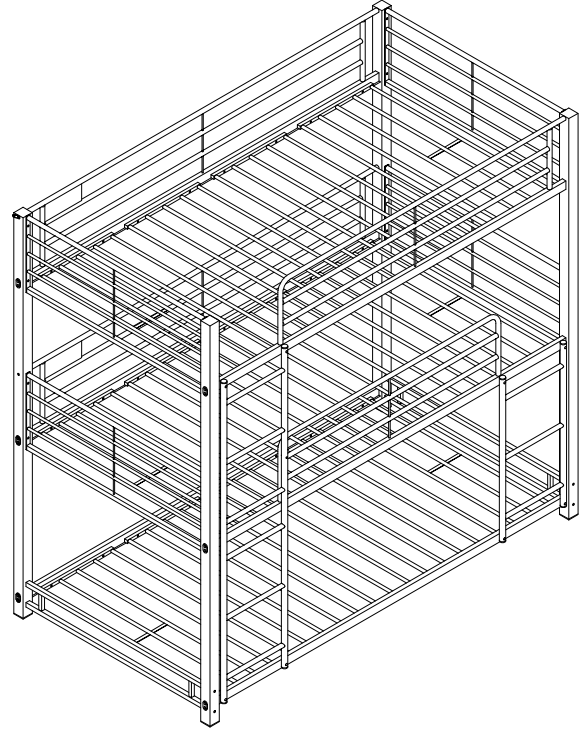
3) Align shorter ladder (#13) to the holes of the bunk bed, then secure by using bolts (#D).



1,2) Align long ladder (#12) to the holes of the bunk bed, then secure by using bolts (#D) as shown in the picture.

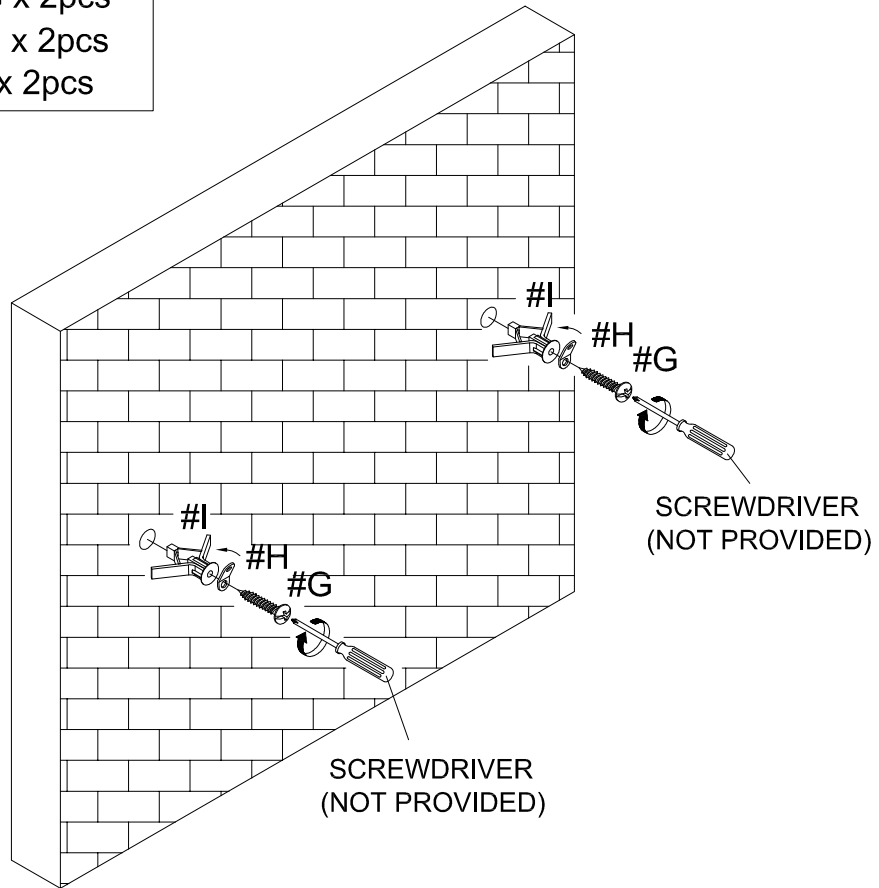


ASSEMBLY COMPLETED

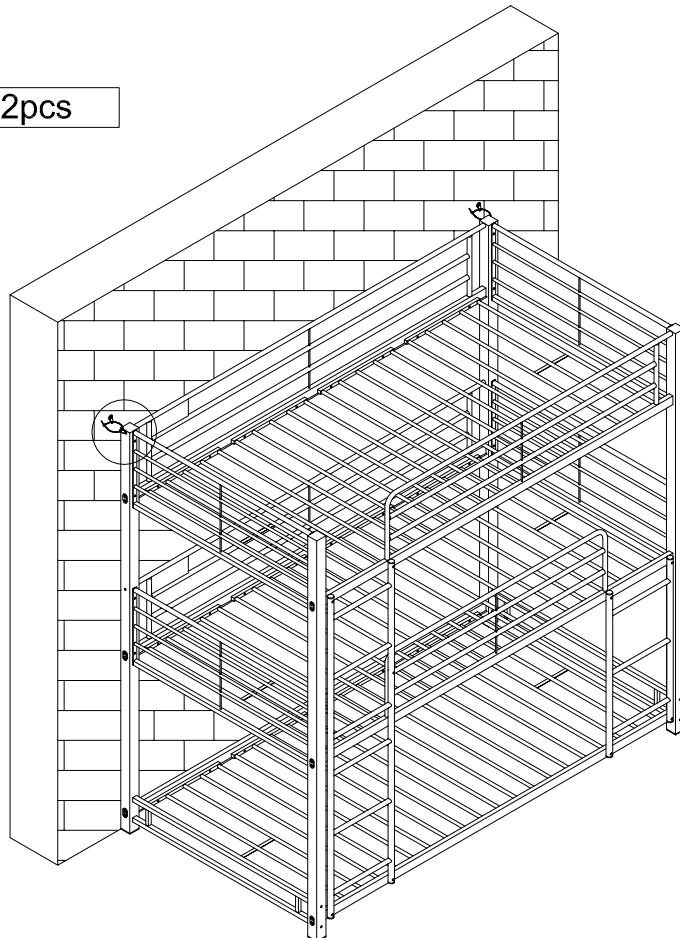




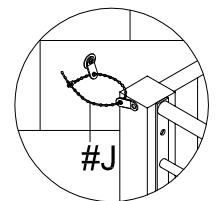
#G x 2pcs  
#H x 2pcs  
#I x 2pcs



#J x 2pcs



To Prevent Tip over  
Product Must Be  
Attached To Wall



## Safety Warnings

1. Follow the information on the warnings appearing on the upper bunk end structure and on the carton . Do not remove warning label from bed.
2. Always use the recommended size mattress or/and mattress support to help prevent the likelihood of entrapment or falls.
3. Surface of mattress must be at least 5 in. below the upper edge of guardrails .
4. Do not allow children less than 6 years of age to use the upper bunk.
5. Periodically check and ensure that the guardrail, ladder ,and other components are in their proper position ,free from damage ,and that all connectors are tight .
6. Prohibit horseplay on/or under the bed and prohibit jumping on the bed.
7. Always use the ladder for entering and leaving the upper bunk.
8. Do not use substitute parts ,Contact manufacturer or dealer for replacement parts.
9. Use of a night light may provide added safety precaution for a child using the upper bunk.
10. Always use guardrails on both long sides of the upper bunk.
11. If the bunk bed will be placed next to a wall, the guardrail that runs the full length of the bed should be placed against the wall to prevent entrapment between the bed and the wall.
12. The use of water or sleep flotation mattress is prohibited .
13. Keep these instructions for future reference.
14. Use only mattress which is 74 3/4"x39 1/4" x5" on upper bunk and for bottom bunk required 74 3/4"x39 1/4" x5"mattress.
15. Prohibit more than one person on upper bunk.

### STRANGULATION HAZARD:

16. Never attach or hang items to any part of the bunk bed that are not designed for use with the bed for example, but not limited to hooks, belts, and jump ropes.