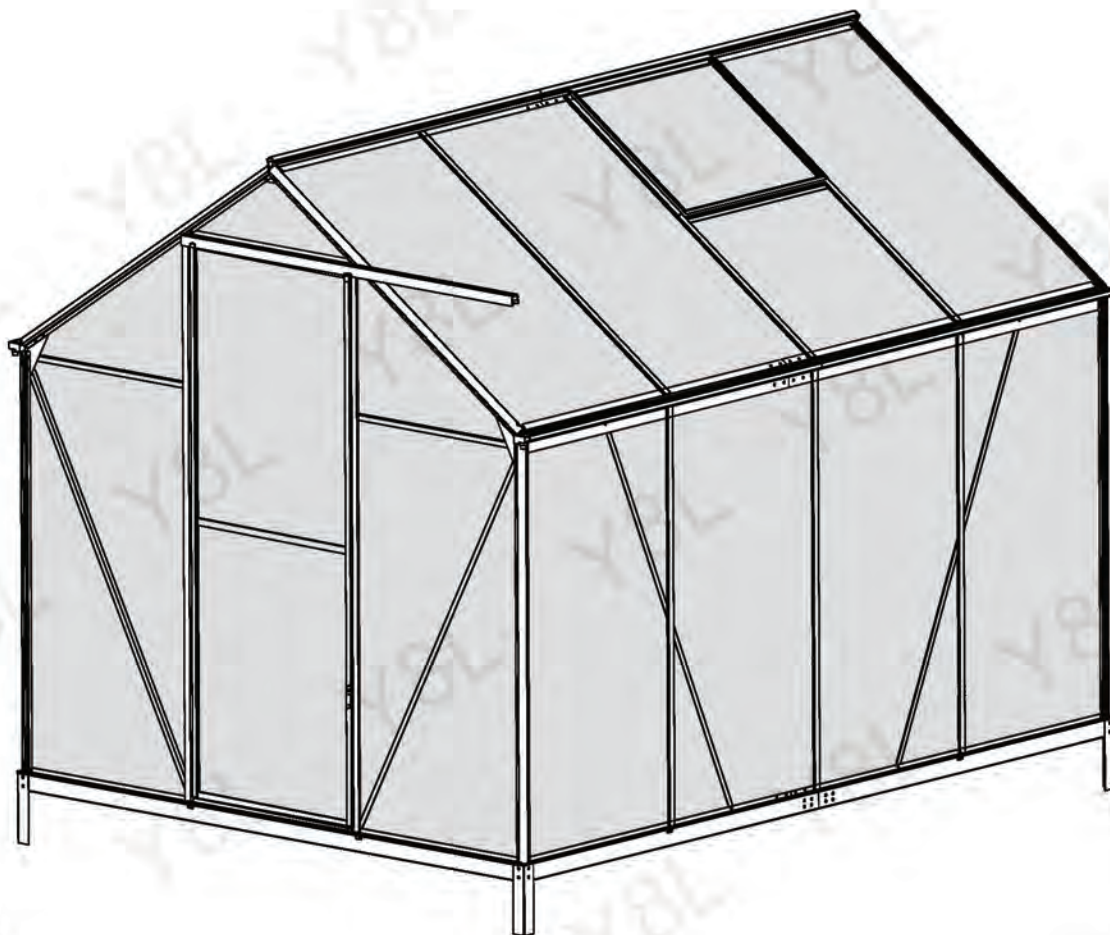


# 6 X 8 X 6 Ft Green House Assembly Instructions





# CATALOGUE

---

◆ <b>General Advice</b>	1
◆ <b>Parts List</b>	3
◆ <b>Installation steps</b>	
1) <b>Front Assembly</b>	5
2) <b>Rear Gable Assembly</b>	10
3) <b>Side Wall Assembly</b>	14
4) <b>Roof Assembly</b>	17
5) <b>Vent Assembly</b>	20
6) <b>Door Assembly</b>	22
7) <b>Base Assembly</b>	25
8) <b>Base Connector Assembly</b>	26

Kindly noted this item come with 2 packages, Please start assembling after receiving all the packages.  
Please read the assembly manual and familiarize yourself with the parts and steps before assembling your Greenhouse .

## IMPORTANT

The Greenhouse contains parts with sharp edges . Handle with care .  
The all parts have sharp edges . Use safety work gloves while the whole assembly.  
Do not assemble the greenhouse on a windy day .

### Weather notice

The greenhouse must be reinforced under severe weather, such as typhoon, hurricane, sandstorm, etc.  
**Panel Frame Reinforcement:** Use tape in the shape of "x" and then paste on the panel for reinforcement  
**Foundation Reinforcement:** The best option is to use a concrete foundation for firmer installation.  
If there is no way to use the concrete foundation to reinforce, it will lead to the deterioration of the wind resistance of the greenhouse  
In extreme weather, the weight of the base must be increased by placing heavy objects to enhance wind resistance

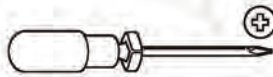
## NOTICE

It will take at least two adults about 5-6 hours to assemble the greenhouse .  
We suggest use electric drill (NOT included) to make the whole assembly more quickly.  
Follow the manual step by step .  
Keep this manual for future reference .

### TOOLS Required (NOT included)



Power Drill



Phillips Screwdriver



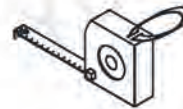
Safety Work Gloves



Safety Goggles



Spirit Level



Tape Measure



Step Ladders

## GENERAL ADVICE

Note: There are 2 sides films on the Polycarbonate Panel.  
One side is clear film, another side is white color film.

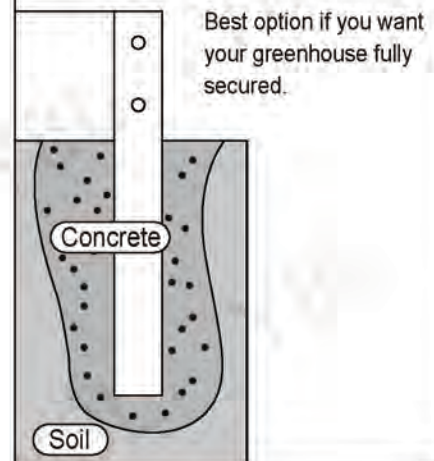
**Need to Remove 2 side films from all edges before installing the Polycarbonate sheets .**

## Assembled Foundation Choose

As per your purchase choice , you may receive a greenhouse with or without a prefabricated base kit . Either way , this greenhouse must be secured to a firm base .

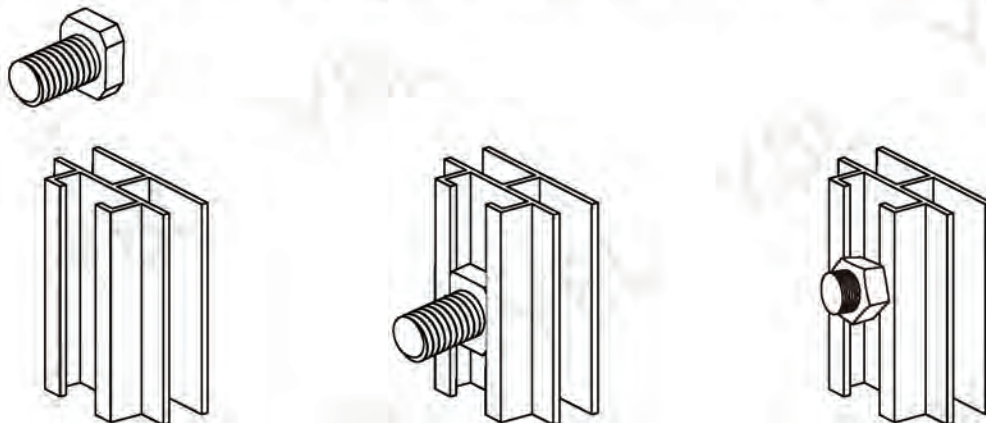
- 1.The Base must be level and square .
  - 2.Before assembling the greenhouse , you must prepare a proper foundation.
  - 3.The concrete foundation option is the best option for a stronger installation.**
- Other foundation option will lead to poor wind resistance of the greenhouse.**

## Corner Stakes mounted into concrete



## BOLT INSERTION

Several steps in this manual involve inserting Bolts into the groove of Aluminum profiles as a preparation for further installation . Diagrams above illustrate how to use such inserted bolts .



**In some steps only bolt or the nut will be used and in other steps the whole set will be used . Check the specific Part List in each step .**

## SEALING

Sealing the greenhouse by applying glue or tapes between the Polycarbonate sheets and aluminum profiles will keep insects out and provide better stability against wind . Sealant and glue gun are Not included.


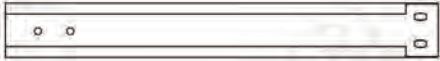
## PARTS

Identify all parts using the parts list in this manual and labels on the parts . Prepared each part needed for that assembled step before working on that step .

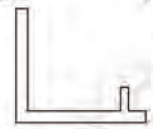




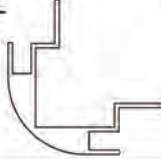
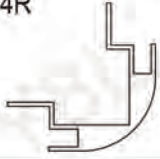




**Identify all parts using the parts list in this manual and labels on the parts . Prepared each part needed for that assembled step before working on that step .**


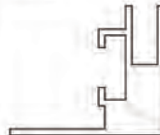
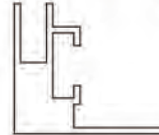

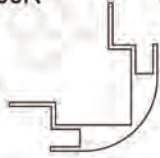

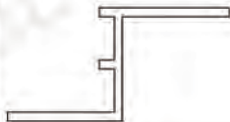

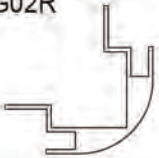

### Base Part List

B01	2PCS	B028	4PCS
			



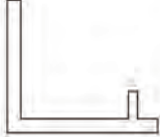
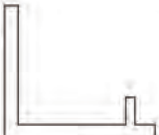


### Rear Gable Part List

RG01	1PC	RG02L	1PC	RG02R	1PC	RG03L	1PC	RG03R	1PC
									
RG04L	1PC	RG04R	1PC	RG05	1PC	RG06	2PCS		
									



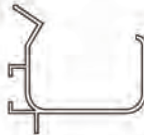

### Front Gable Part List

FG01	1PC	FG02L	1PC	FG02R	1PC	FG03L	1PC	FG03R	1PC
									
FG04	2PCS	FG05	1PC	RG02L	1PC	RG02R	1PC	RG06	2PCS
									






### Side Wall Part List

SG381	2PCS	SG382	2PCS	SG018L	2PCS
					
SG018R	2PCS	SG02	6PCS	SG04	4PCS
					



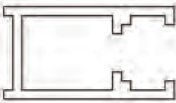

### Roof Part List

R0181	1PC	R0182	1PC	R028	4PCS	R03	6PCS
							









### Vent Part List

V02  1PC	V03  1PC	V04  2PCS	V016  1PC	V017  1PC
---	---	--	---	--











### Door Part List

D01  1PC	D02  1PC	D03  2PCS	D04  2PCS
---	---	---	--











### Connector Part List

BJ01  4PCS	BJ02  2PCS	BJ03  18PCS	BJ04  2PCS	BJ05  4PCS	BJ06  2PCS	BJ07  2PCS	BJ08  1PC
---	---	--	---	---	--	---	--












### Screw Part List

LD01  M6x12 108PCS	LD02  M6x12 56PCS	LD03  ST3.5x25 10PCS	LD04  M4x15 2PCS	LD05  4PCS
LD06  M6x18 2PCS	LD07  M6x18 2PCS	LD08  M4.2x25 32PCS	LM01  M6 170PCS	LM02  M4 2PCS

### Other Part List

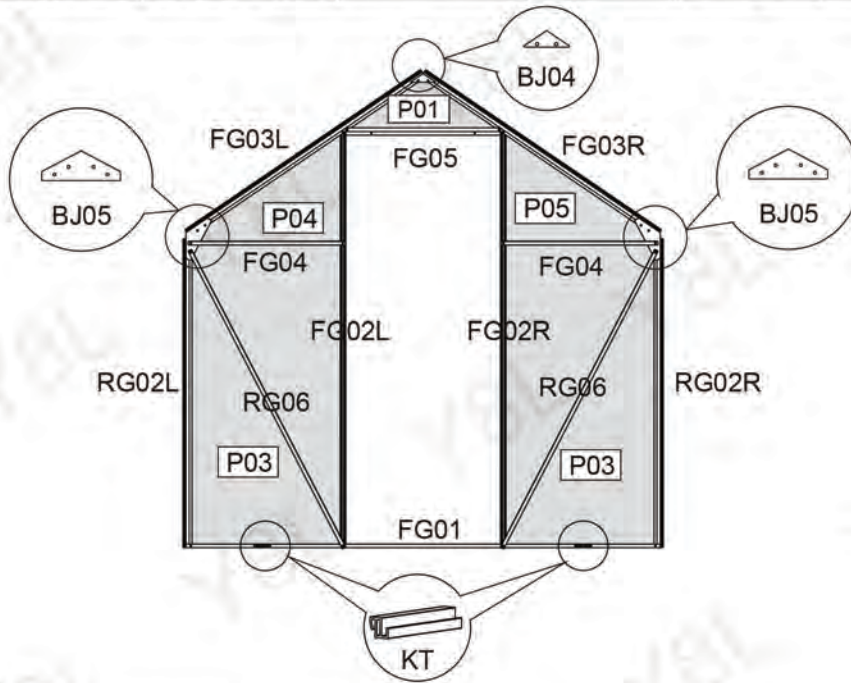
KT  13PCS	GL01  2PCS	TP01  2PCS	CT01  2PCS	SL01  2PCS	SL04  2PCS	SL05  2PCS	SL06  2PCS	SL07  32PCS	SL08  32PCS
--	---	---	---	---	---	--	---	--	--

### PC Panel Part List

P01  8.8"x22.7"x0.16" 1PC	P02  25.7"x23.8"x0.16" 1PC	P03  46.4"x23.8"x0.16" 5PCS	P04  17.6"x23.8"x0.16" 2PCS	P05  17.6"x23.8"x0.16" 2PCS	P06  30.7"x24.5"x0.16" 2PCS
P07  47"x24"x0.16" 8PCS	P08  43.5"x24"x0.16" 7PCS	P09  23"x24"x0.16" 1PC	P10  22"x20.4"x0.16" 1PC	P11  5PCS	

# Front Gable Assembly

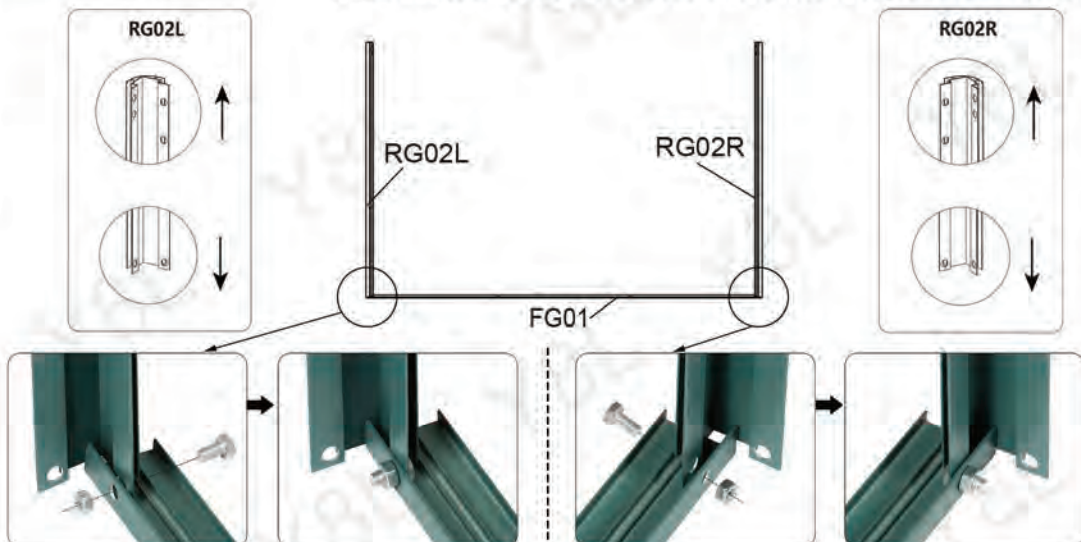
FG01 1PC	FG02L 1PC	FG02R 1PC	FG03L 1PC	FG03R 1PC	FG04 2PCS
FG05 1PC	RG02L 1PC	RG02R 1PC	RG06 2PCS	BJ05 2PCS	BJ04 1PC
P04 1PC	P05 1PC	P01 1PC	P11 2PCS	KT 2PCS	LD01 14PCS
LD02 6PCS	LM01 20PCS	P03 2PCS 46.4"x23.8"x0.16"			
17.2"x23.6"x0.16"	17.2"x23.6"x0.16"	8.8"x22.7"x0.16"		M6x12	M6x12
				M6	



## STEP 1

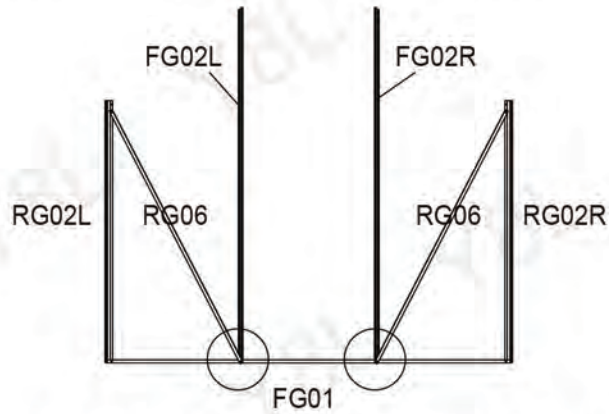
Connect RG02L, FG01 and RG02R with Nut LM01 and Bolt LD01.

RG02L*1
RG02R*1
FG01*1
LD01*2
LM01*2



## STEP 2

FG02L*1
FG02R*1
RG06*2
LD02*4
LM01*2



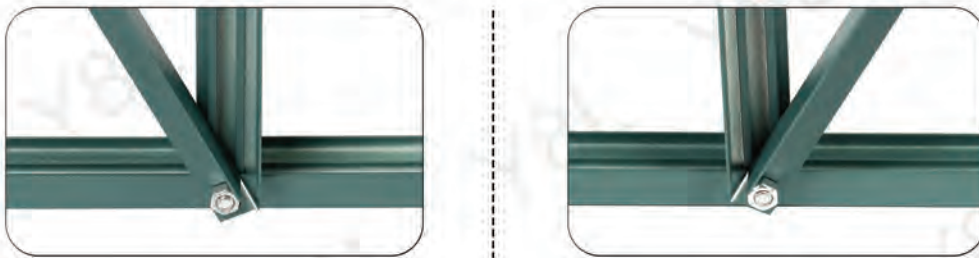
1. The grooves of FG02L and FG02R need to insert 2 bolts LD02 each in advance. Don't screw the nuts.



2. Put FG02L and FG02R into the groove of FG01.

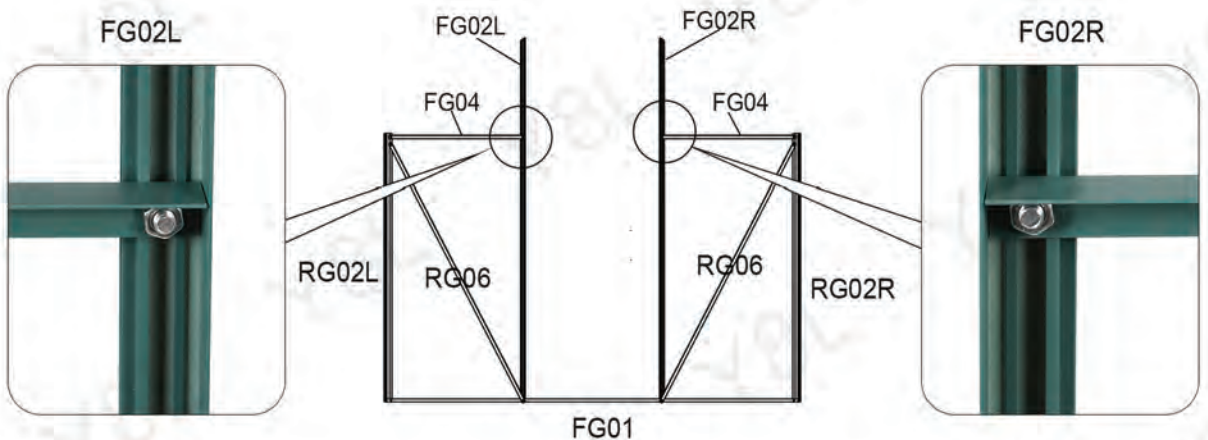
3. Connect FG02R, FG01 RG06 with one of the Pre-inserted bolt LD02, and tighten with a nut.

4. Connect FG02L, FG01 RG06 with one of the Pre-inserted bolt LD02, and tighten with a nut.

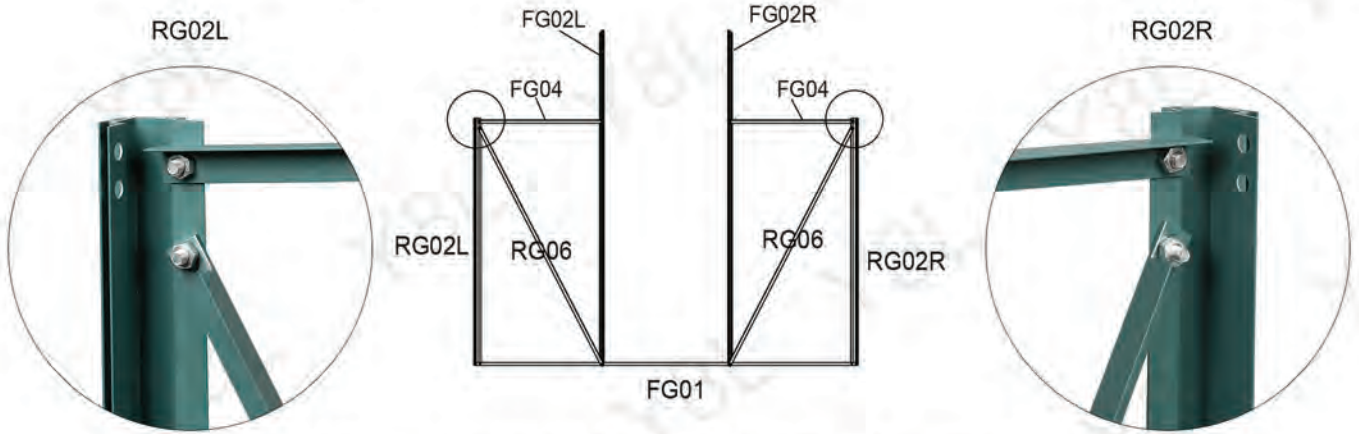


## STEP 3

FG04*2
LD01*4
LM01*6



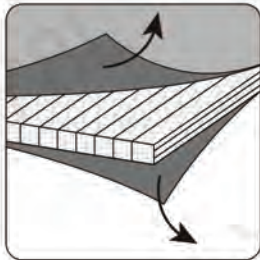
1. Connect FG02R, FG04 with one of the Pre-inserted bolt LD02, and tighten with a nut. Connect FG02L, FG04 with one of the Pre-inserted bolt LD02, and tighten with a nut.



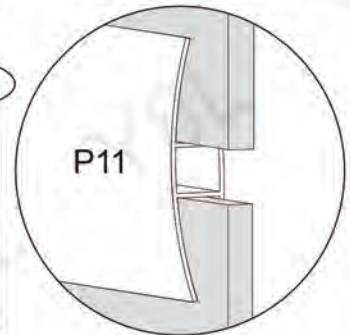
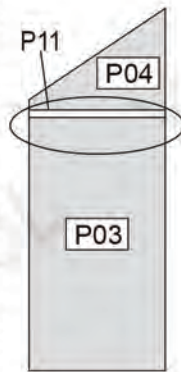
2. Connect FG04, RG02R, RG02L by Bolt LD01 and Nut LM01
3. Connect RG06, RG02R, RG02L by Bolt LD01 and Nut LM01

## STEP 4

P03*2
P04*1
P05*1
P11*2
KT*2

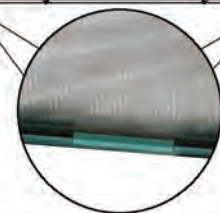
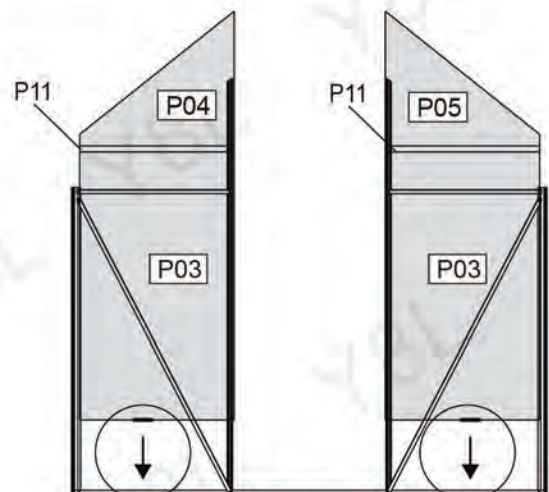
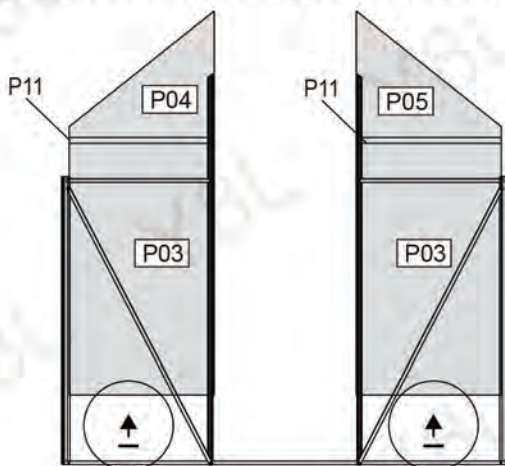


The clear film needs to be exposed to sunlight



1. Connect panel P03 and panel P04 (P05) with P11.

**Note:** Need leave a little distance when connected panel



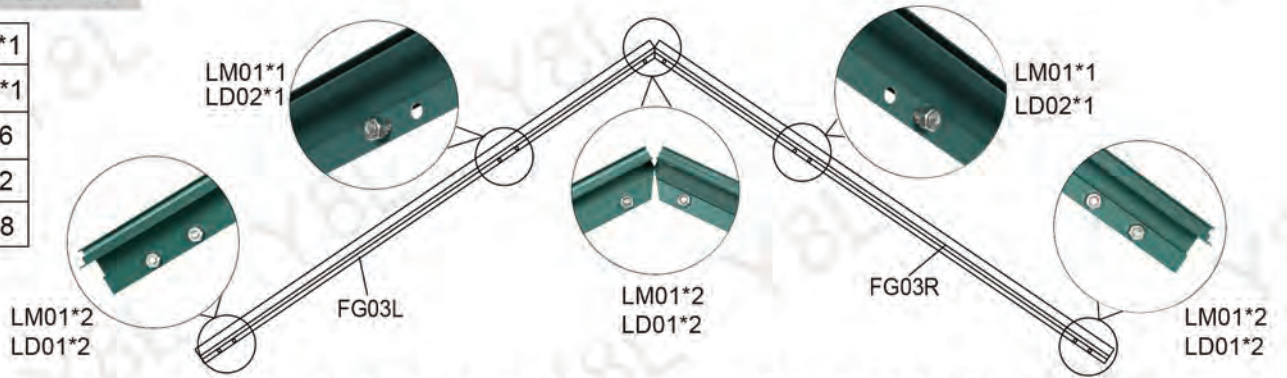
2. Insert the assembled PC panel from above the groove.



**Note:** In the process of inserting the PC Panel, if it is too loose or too tight, you can loosen the nut at the relevant position to properly adjust the position and spacing of the PC Panel, so that the PC panel can be inserted and installed smoothly.

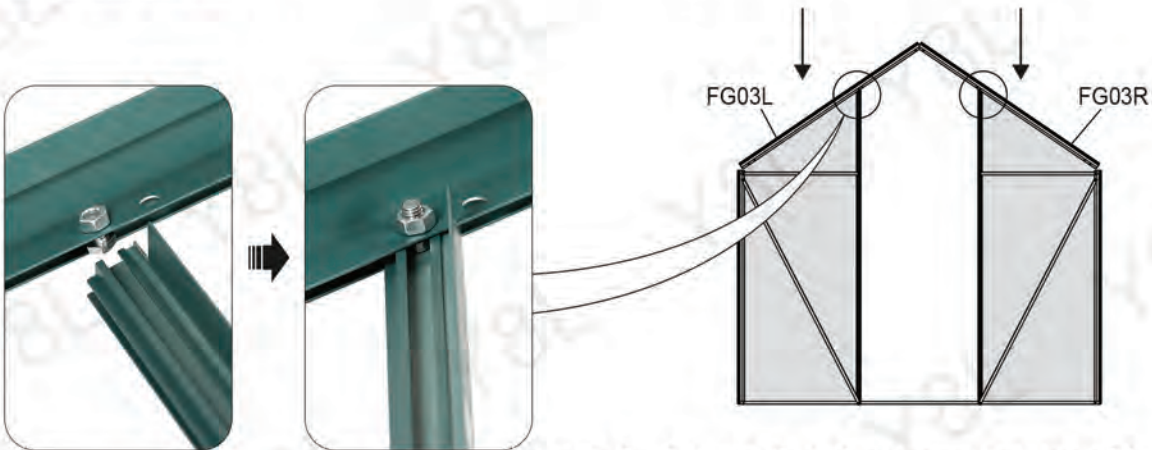
## STEP 5

FG03L*1
FG03R*1
LD01*6
LD02*2
LM01*8



Do not tighten the nut . Only loosely screw it onto the thread .

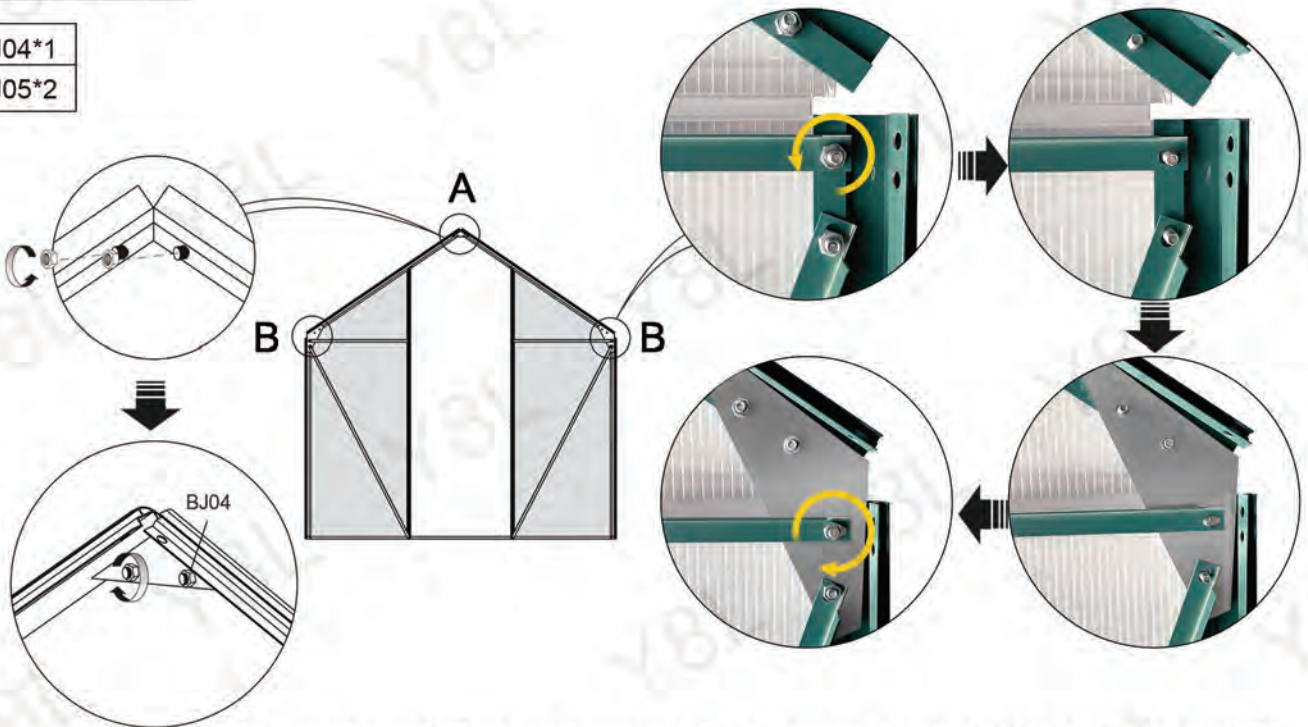
## STEP 6



Insert the PC board into the reserved groove of FG03L and FG03R.  
Then Press it down into place.  
The bolt LD02 need to insert into the grooves and fasten the nuts.

## STEP 7

BJ04*1
BJ05*2



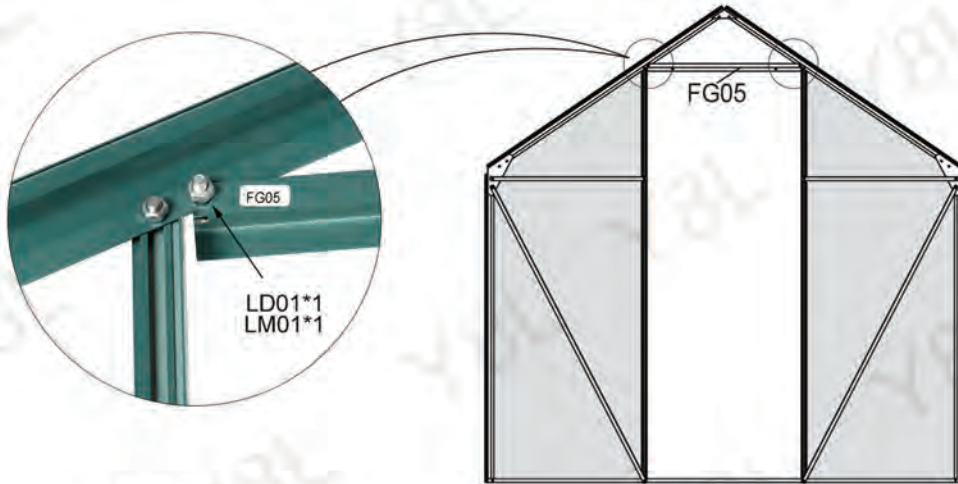
1. Loosen the nuts LM01 in position marked A, install the connecting piece BJ04 and tighten the nut LM01.
2. Loosen the nuts LM01 in position marked B, install the connecting piece BJ05 and tighten the nut LM01.

## STEP 8

FG05\*1

LD01\*2

LM01\*2



**Install FG05**

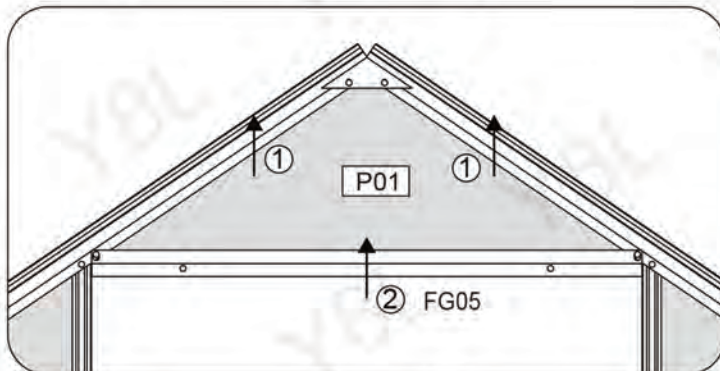
**Do not tighten the nut . Only loosely screw it onto the thread .**

## STEP 9

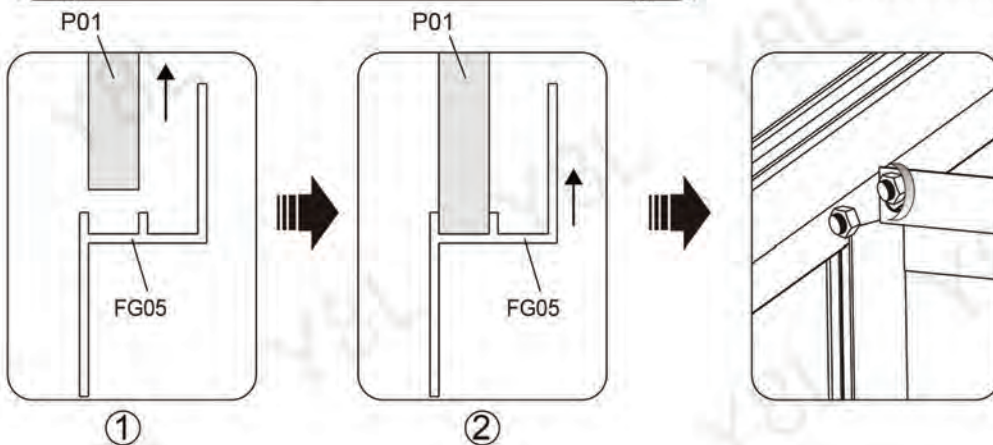
P01\*1

**Insert PC Panel P01 and tighten the nut.**

Tips: You can first snap two sides of the PC board labeled 1 up into the notch, and then snap this side of the PC board labeled 2 into the notch of the FG05. Finally, push the FG05 upward to fix the PC board and then tighten the nut.

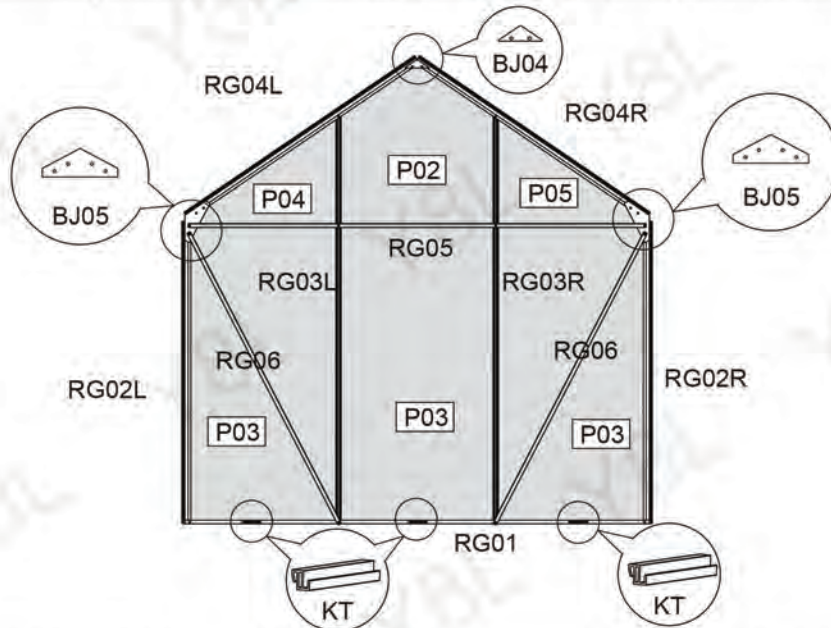


Need to remove 2 sides films on the PC Panel before you install PC panel.



# Rear Gable Assembly

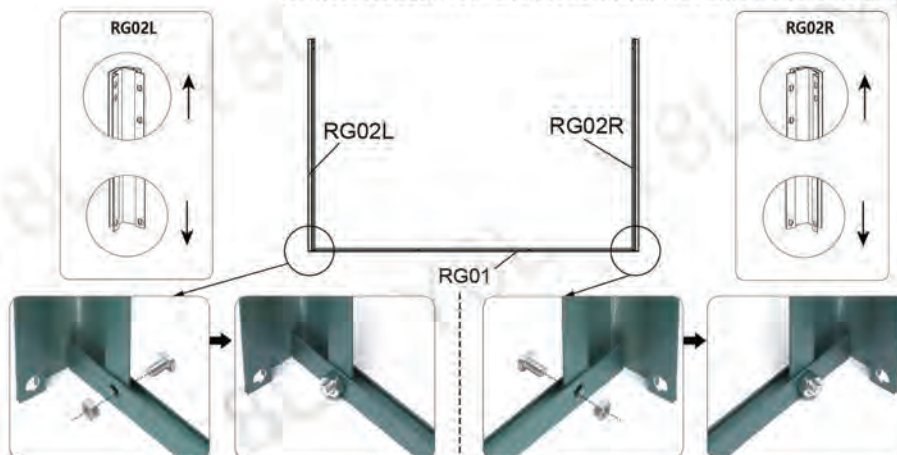
RG01  1PC	RG02L  1PC	RG02R  1PC	RG03L  1PC	RG03R  1PC		
RG05  1PC	RG06  2PCS	RG04L  1PC	RG04R  1PC	BJ04  1PC		
BJ05  2PCS	P03  3PCS 46.4"x23.8"x0.16"	P02  1PC 25.7"x23.8"x0.16"	P04  1PC 17.2"x23.6"x0.16"	P05  1PC 17.2"x23.6"x0.16"		
P11  3PCS	KT  3PCS	LD01  10PCS M6x12	LD02  4PCS M6x12	LD06  2PCS M6x18	LD07  2PCS M6x18	LM01  18PCS M6



## STEP 1

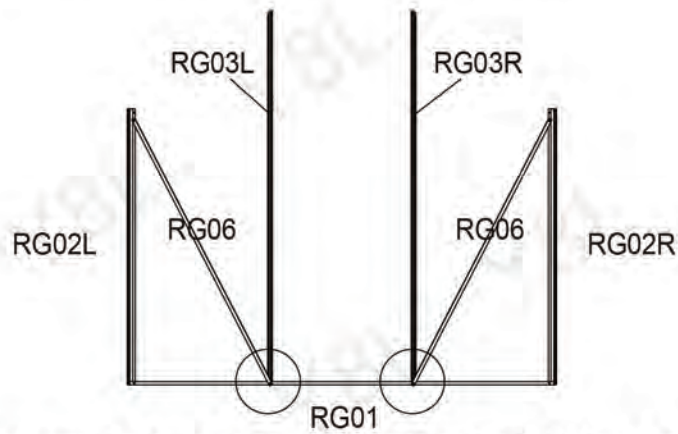
Connect RG02L, RG01 and RG02R with Nut LM01 and Bolt LD01.

RG02L*1
RG02R*1
RG01*1
LD01*2
LM01*2

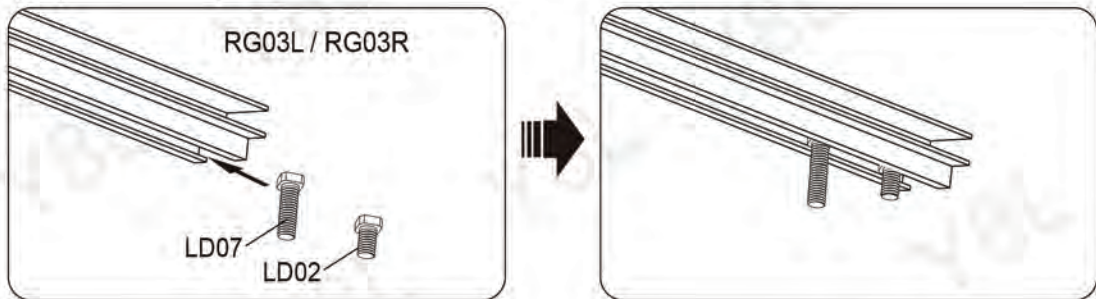


## STEP 2

RG03L*1
RG03R*1
RG06*2
LD02*2
LD07*2
LM01*2



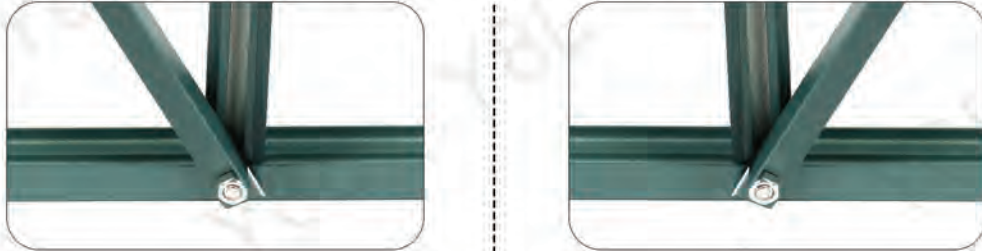
1. The grooves of RG03L and RG03R need to insert 2 bolts LD07 LD02 each in advance. LD07 is prepared for step 3. Don't screw the nuts.



2. Put RG03L and RG03R into the groove of RG01.

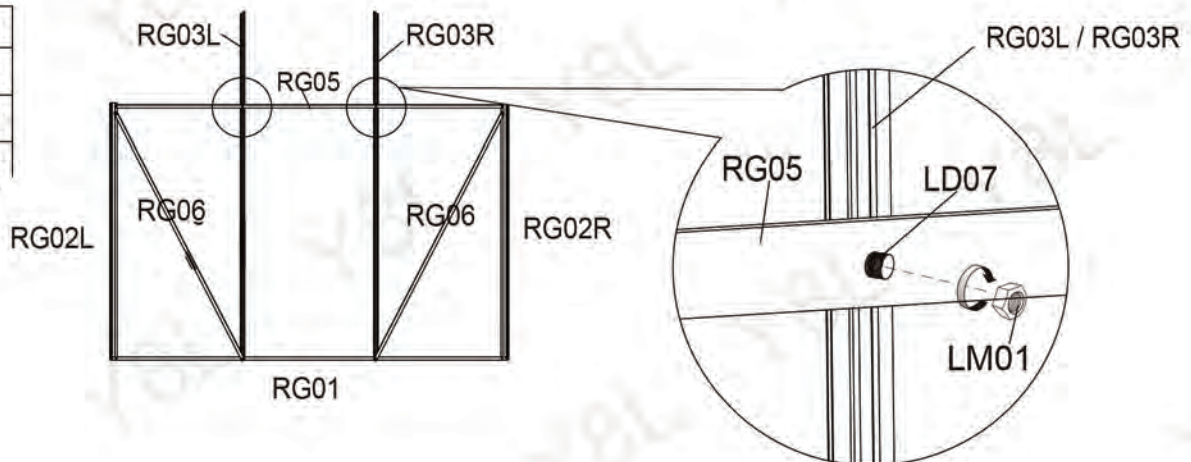
3. Connect RG03R, RG01 RG06 with one of the Pre- inserted bolt LD02, and tighten with a nut.

4. Connect RG03L, RG01 RG06 with one of the Pre- inserted bolt LD02, and tighten with a nut.

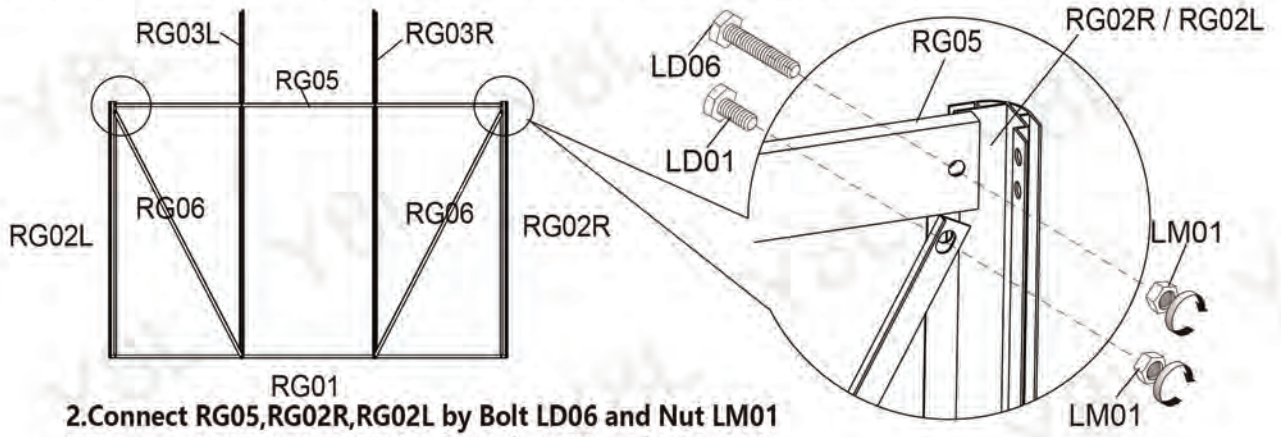


## STEP 3

RG05*1
LD01*2
LD06*2
LM01*6



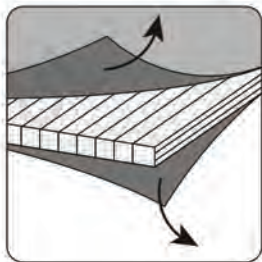
1. Connect RG03R, RG05 with one of the Pre- inserted bolt LD07, and tighten with a nut. Connect RG03L, RG05 with one of the Pre- inserted bolt LD07, and tighten with a nut.



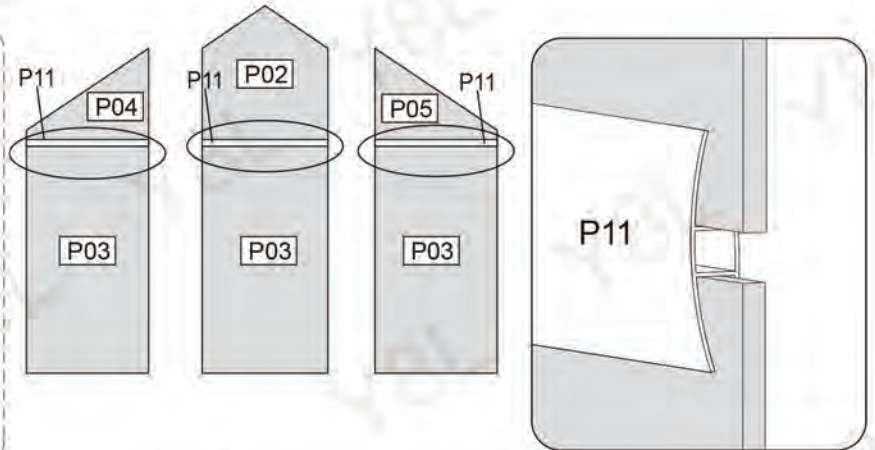
2. Connect RG05, RG02R, RG02L by Bolt LD06 and Nut LM01
3. Connect RG06, RG02R, RG02L by Bolt LD01 and Nut LM01

## STEP 4

P02*1
P03*3
P04*1
P05*1
P11*3
KT*3

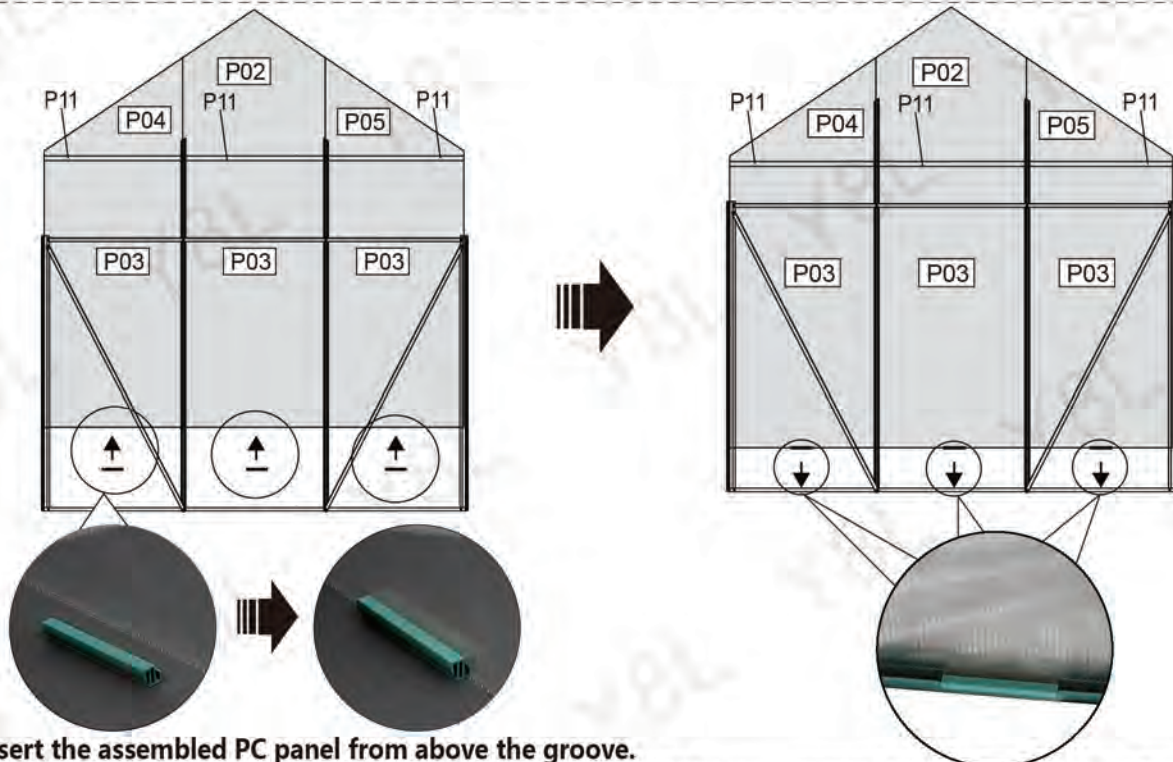


The clear film needs to be exposed to sunlight



1. Connect panel P03 and panel P04 (P05) with P11
2. Connect panel P02 and panel P01 with P11

**Note:** Need leave a little distance when connected panel



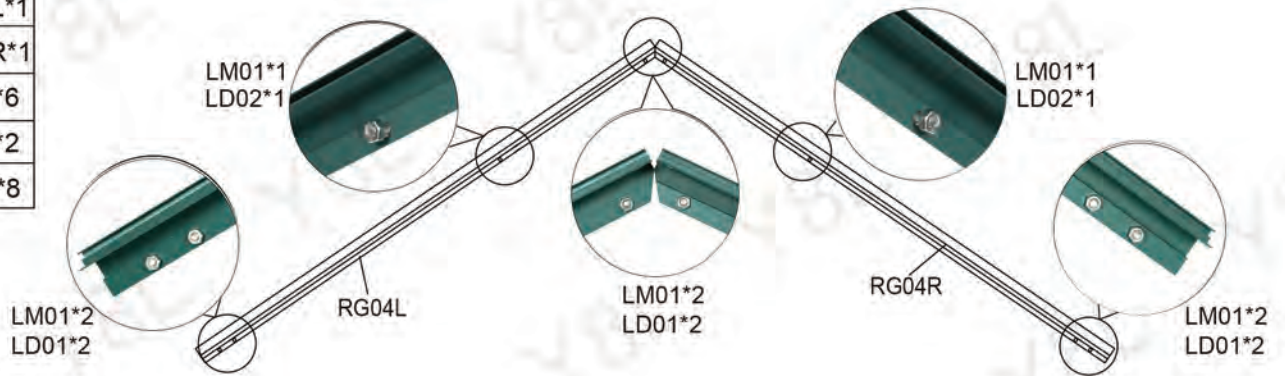
3. Insert the assembled PC panel from above the groove.



**Note:** In the process of inserting the PC Panel, if it is too loose or too tight, you can loosen the nut at the relevant position to properly adjust the position and spacing of the PC Panel, so that the PC panel can be inserted and installed smoothly.

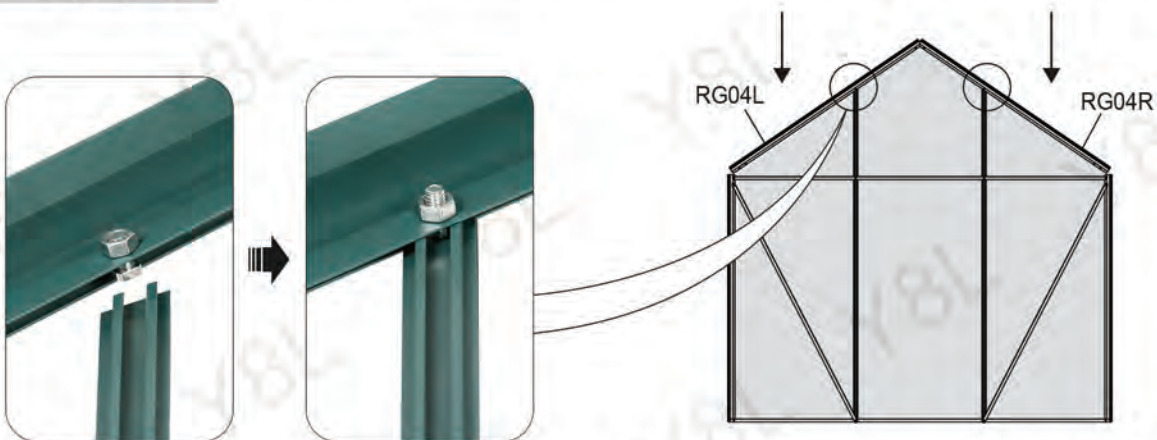
## STEP 5

RG04L*1
RG04R*1
LD01*6
LD02*2
LM01*8



Do not tighten the nut . Only loosely screw it onto the thread .

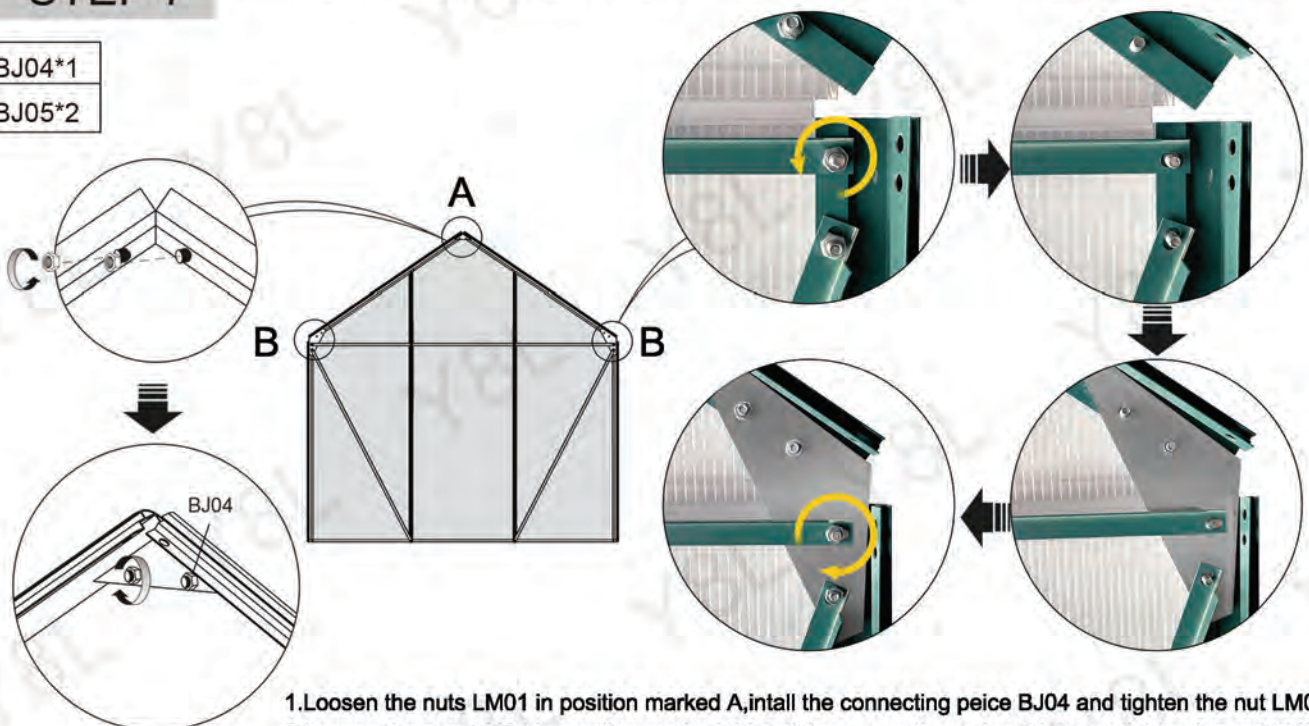
## STEP 6



Insert the PC board into the reserved groove of RG04R and RG04L.  
Then Press it down into place.  
The bolt LD02 need to insert into the grooves and fasten the nuts.

## STEP 7

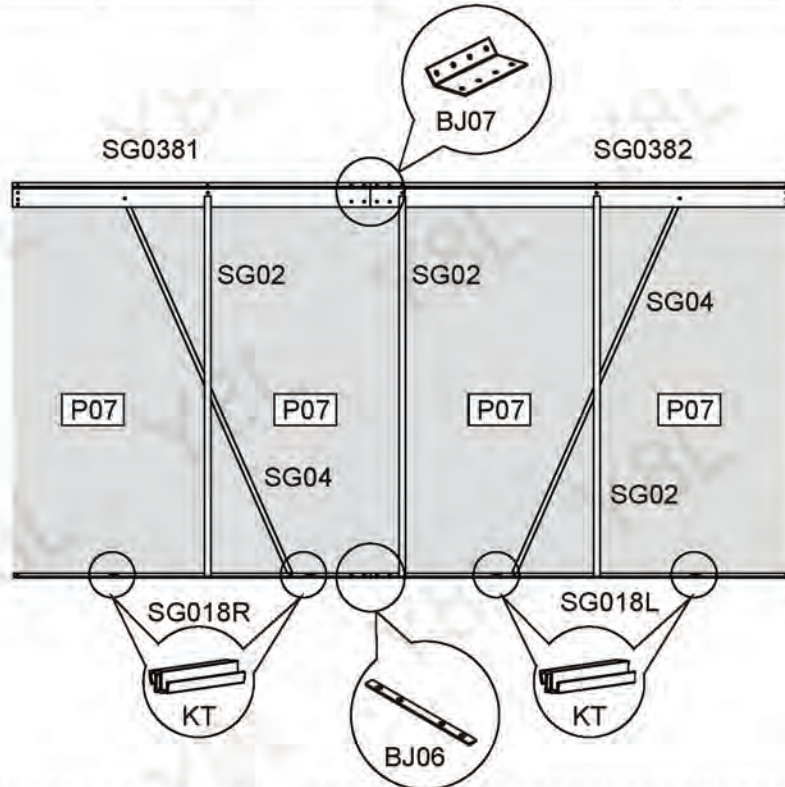
BJ04*1
BJ05*2



1. Loosen the nuts LM01 in position marked A, install the connecting piece BJ04 and tighten the nut LM01.
2. Loosen the nuts LM01 in position marked B, install the connecting piece BJ05 and tighten the nut LM01.

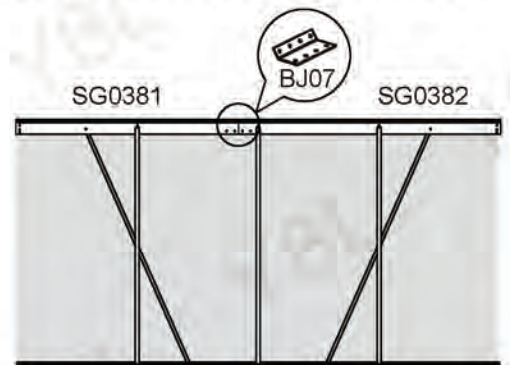
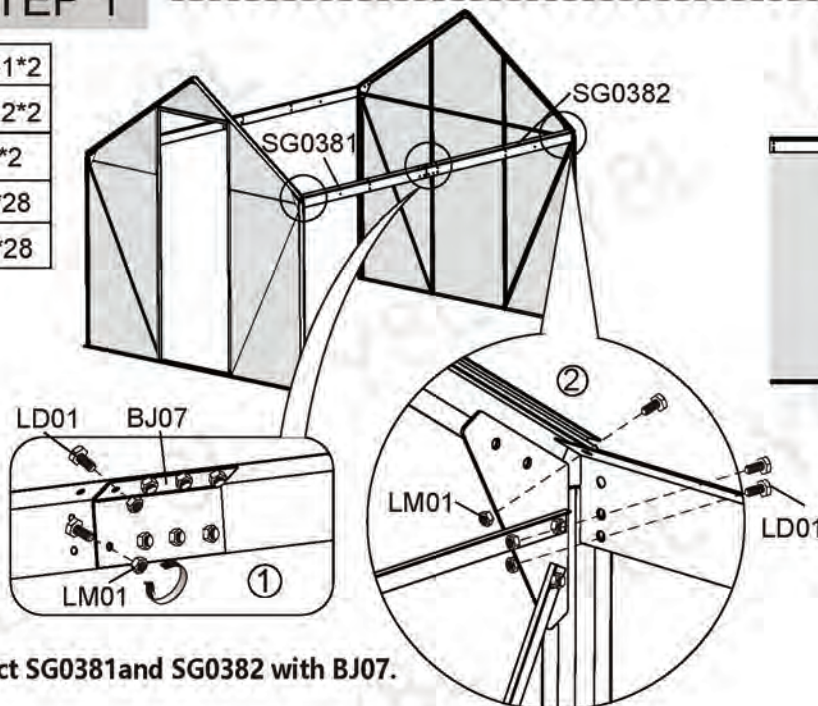
# Side Wall Assembly

SG02 6PCS	SG04 4PCS	SG381 2PCS	SG382 2PCS	SG018L 2PCS	SG018R 2PCS	KT 8PCS
BJ06 2PCS	BJ07 2PCS	P07 8PCS	LD01 48PCS	LD02 16PCS	LM01 64PCS	
		47"x24"x0.16"	M6x12	M6x12	M6	



## STEP 1

SG0381*2
SG0382*2
BJ07*2
LD01*28
LM01*28

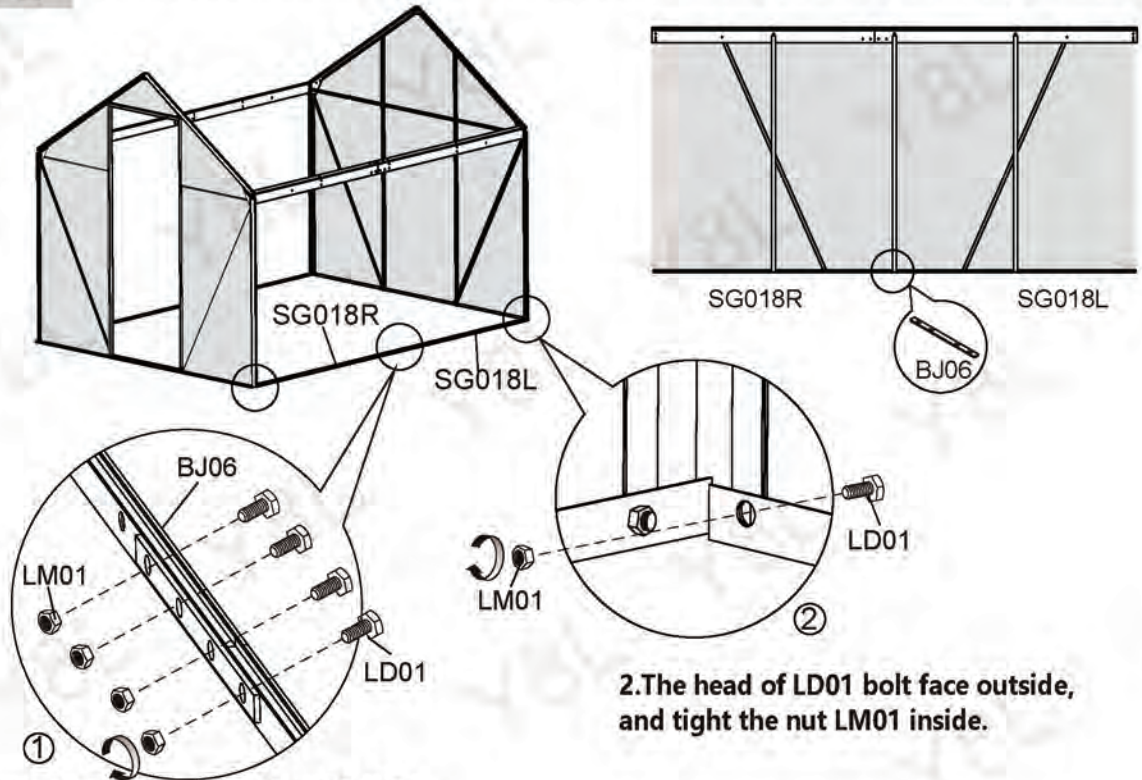


The head of LD01 bolt face outside, and tight the nut LM01 inside. Connect Front Gable and Rear Gable by the assembled part in step 1(SG018R and SG018L)

Connect SG0381 and SG0382 with BJ07.

## STEP 2

SG018R*2
SG018L*2
BJ06*2
LD01*12
LM01*12



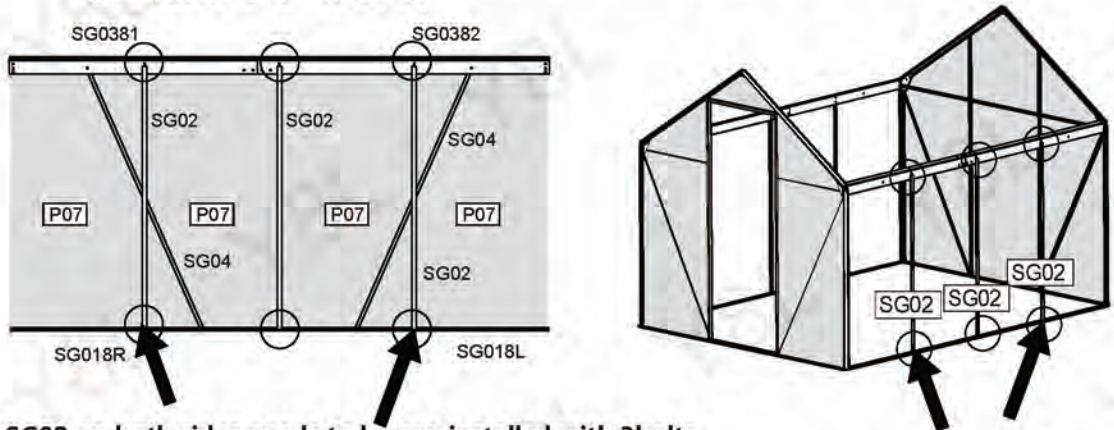
1. Connect SG018R and SG018L with BJ06.

2. The head of LD01 bolt face outside, and tight the nut LM01 inside.

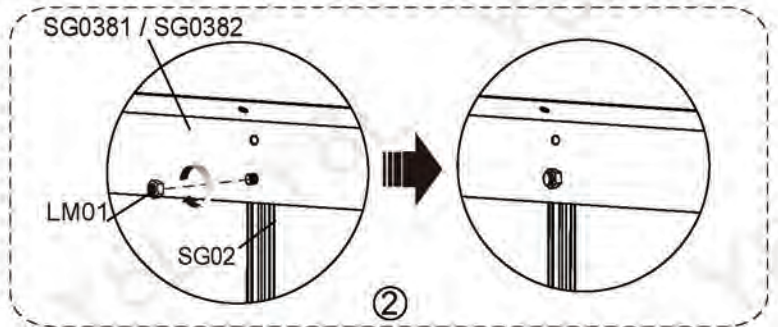
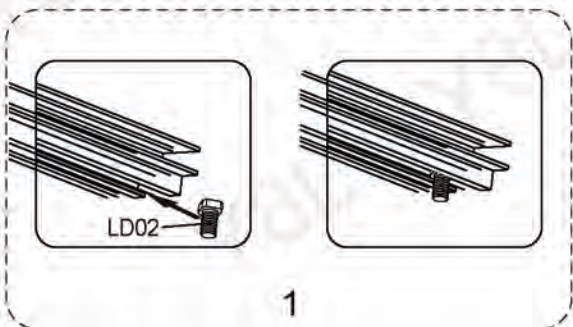
## STEP 3

The following shows only one side wall installation, the other wall side should install in the same method.

SG02*6
LD02*16
LM01*12
SG04*4



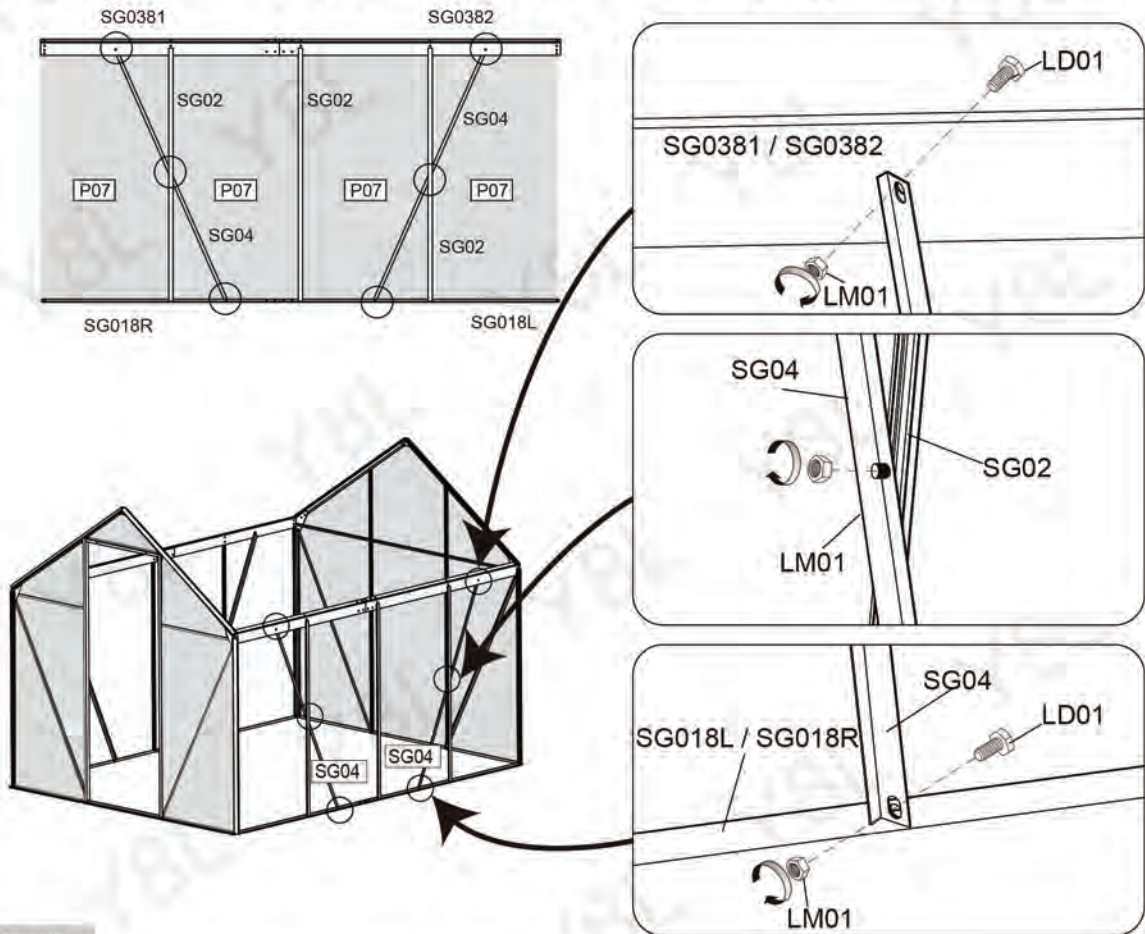
The SG02 on both sides needs to be pre-installed with 3bolts.  
The extra 1 bolt is prepared for next step. Don't screw the nuts.  
The SG02 in the middle installs 2 bolts.



## STEP 4

The following shows only one side wall installation, the other wall side should install in the same method. Connect SG02 and SG04 with one of the Pre-inserted bolt LD02 in SG02, and tighten with a nut.

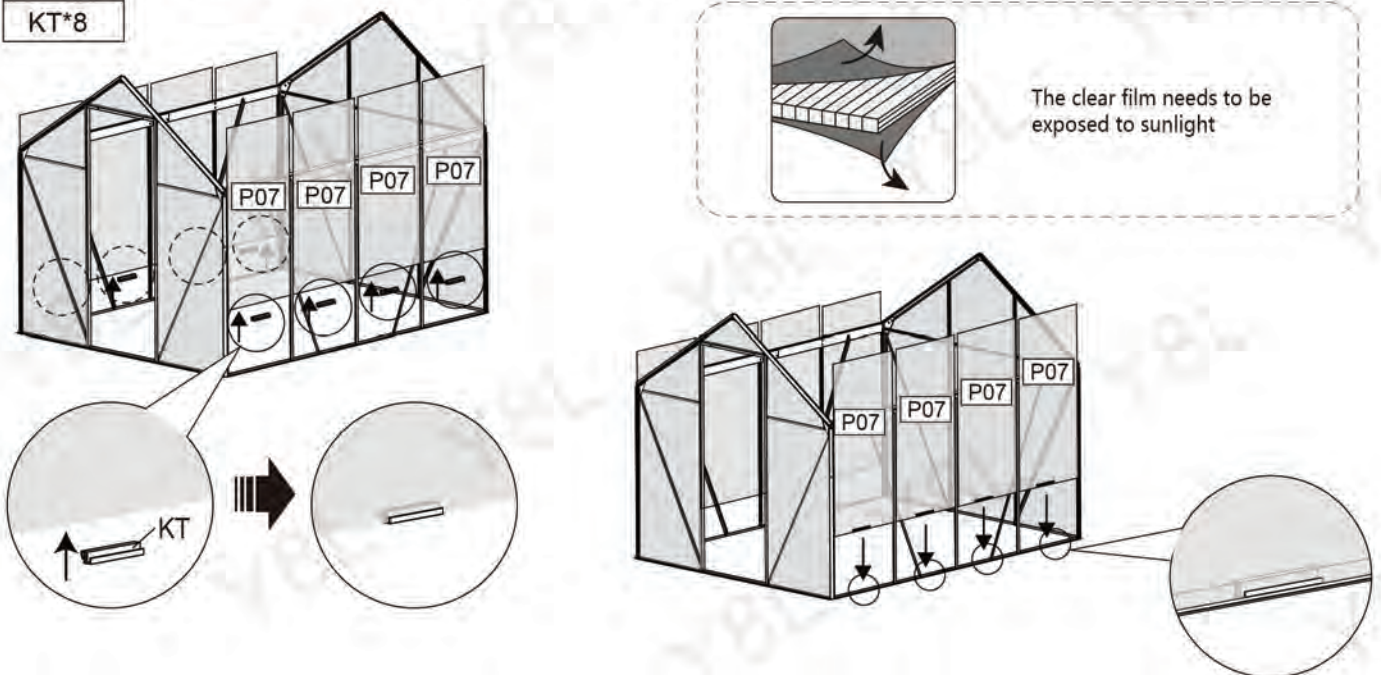
LD01\*8  
LM01\*12



## STEP 5

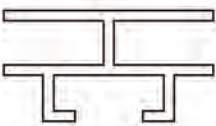

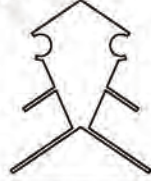
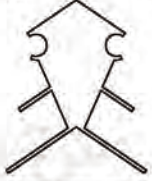









P07\*8  
KT\*8

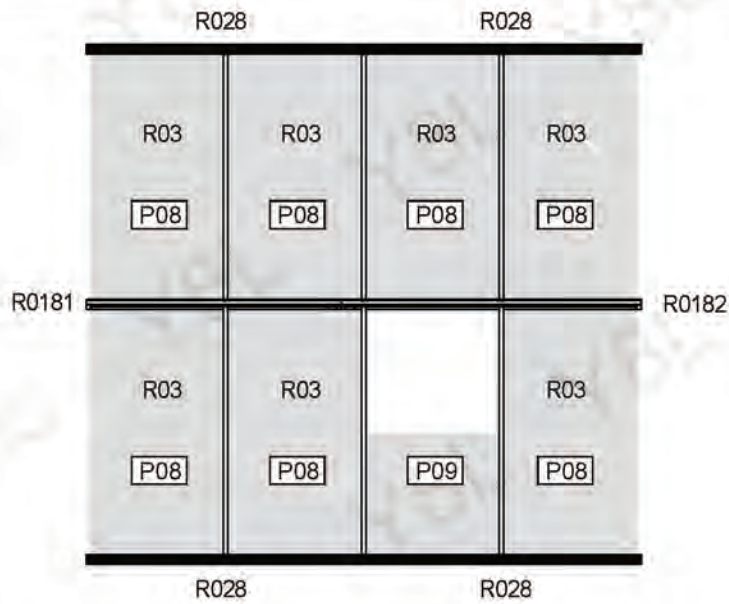
Insert the assembled PC panel P07 from above the groove.



**Note:** In the process of inserting the PC Panel, if it is too loose or too tight, you can loosen the nut at the relevant position to properly adjust the position and spacing of the PC Panel, so that the PC panel can be inserted and installed smoothly.

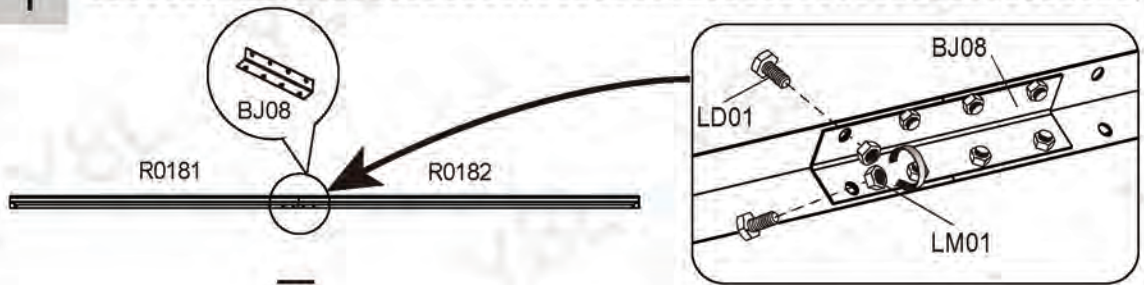
# Roof Assembly

R03 6PCS 	R028 4PCS 	R0181 1PC 	R0182 1PC 	P09 1PC  23"x24"x0.16"			
P08 7PCS  43.5"x24"x0.16"	BJ08 1PC 	SL04 2PCS 	SL05 2PCS 	LD01 12PCS  M6x12	LD02 24PCS  M6x12	LD05 4PCS 	LM01 34PCS  M6

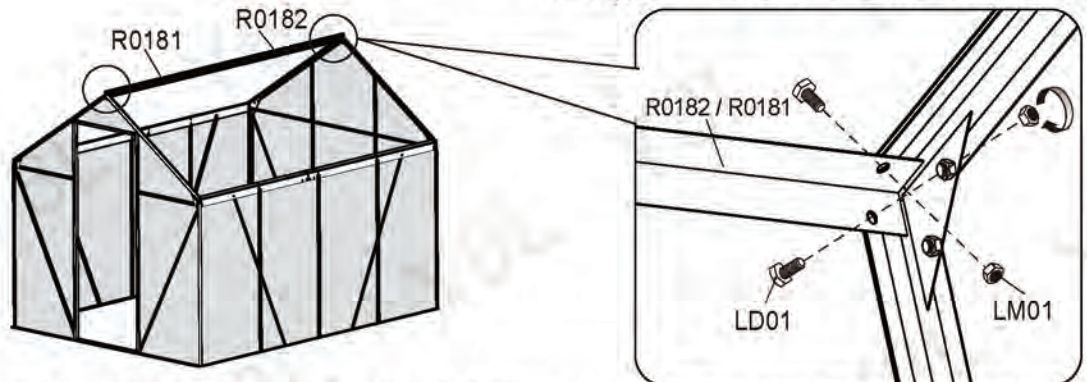


## STEP 1

- R0181\*1
- R0182\*1
- LD01\*12
- LM01\*12
- BJ08\*1



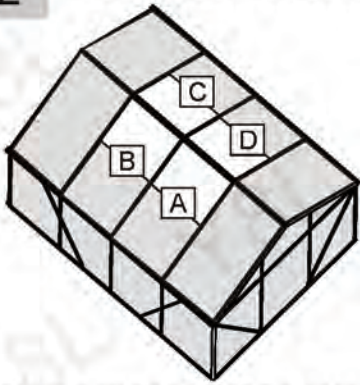
Firstly, connect R0181 and R0182 with BJ08.



Connect Front Gable and Rear Gable by the assembled part in step 1 ( R0181 and R0182)

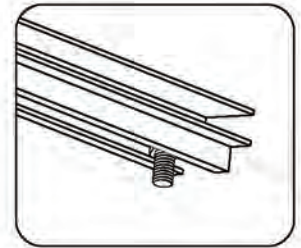
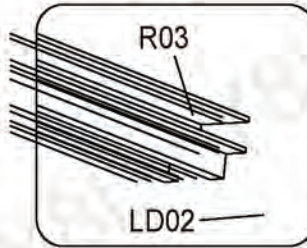
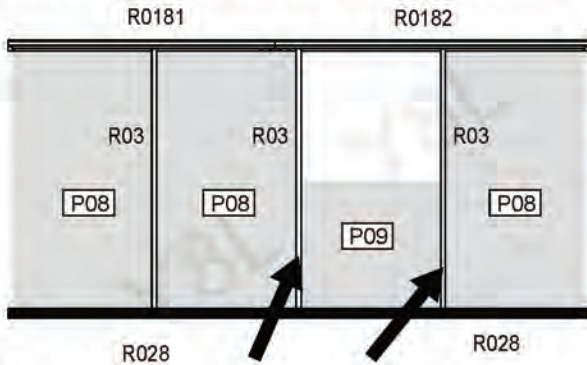
## STEP 2

R03*6
LD02*18
LM01*12

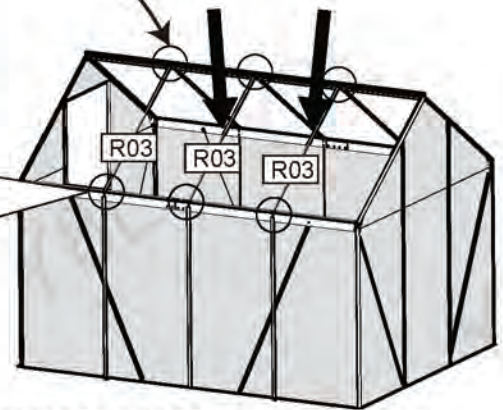
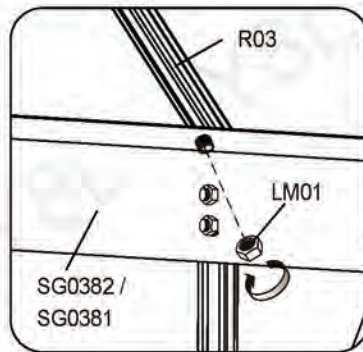
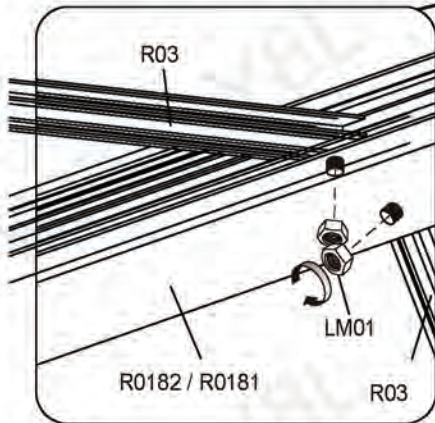


Vent can be installed in the 4 areas (A, B, C, D) shown in the figure. The following installation steps are based on installing vent in area A as an example.

If you want to install vent in other areas (B,C,D), the pre-inserted screws position needs to be changed accordingly.

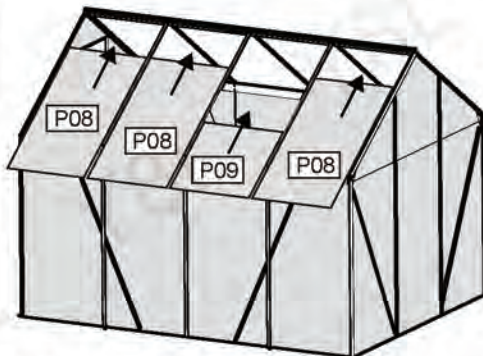


The R03 marked by the Arrow need to be put into 3 bolt LD02 each in advance.  
The extra 3 bolts are prepared for vent assembly. Don't screw the nuts.  
The remaining R03 need to be slide in 2 bolts LD02 each in advance.



## STEP 3

P08*7
P09*1



The clear film needs to be exposed to sunlight

Insert the assembled PC panel P08 and P09 from groove.



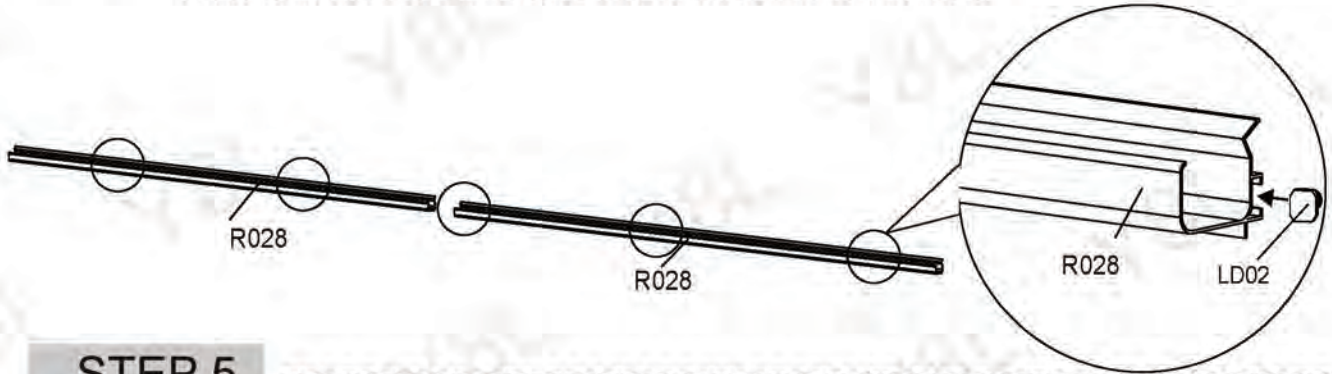
**Note:** In the process of inserting the PC Panel, if it is too loose or too tight, you can loosen the nut at the relevant position to properly adjust the position and spacing of the PC Panel, so that the PC panel can be inserted and installed smoothly

## STEP 4

R028\*4

LD02\*10

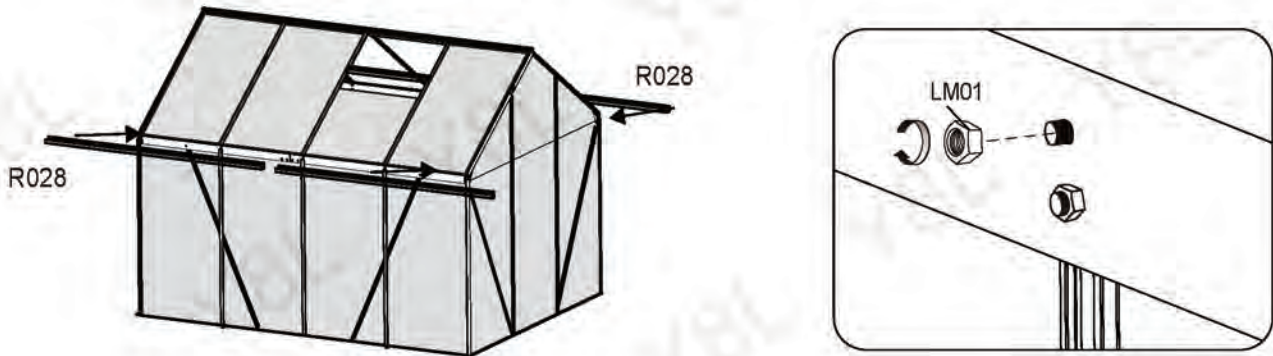
In this step, 4 pieces R028 will be used, and 2 pieces R028 are installed on same side. The following description is only for one side, and the other side should be installed in the same way. One R028 needs to be slid into 2 bolts LD02 in advance, and the other R028 on the same side needs to be slid into 3 bolts LD02 in advance. Don't screw the nuts.



## STEP 5

LM01\*10

Adjust the position of the bolts to align the bolts with the holes and ensure that the R028 installation position is symmetrical.

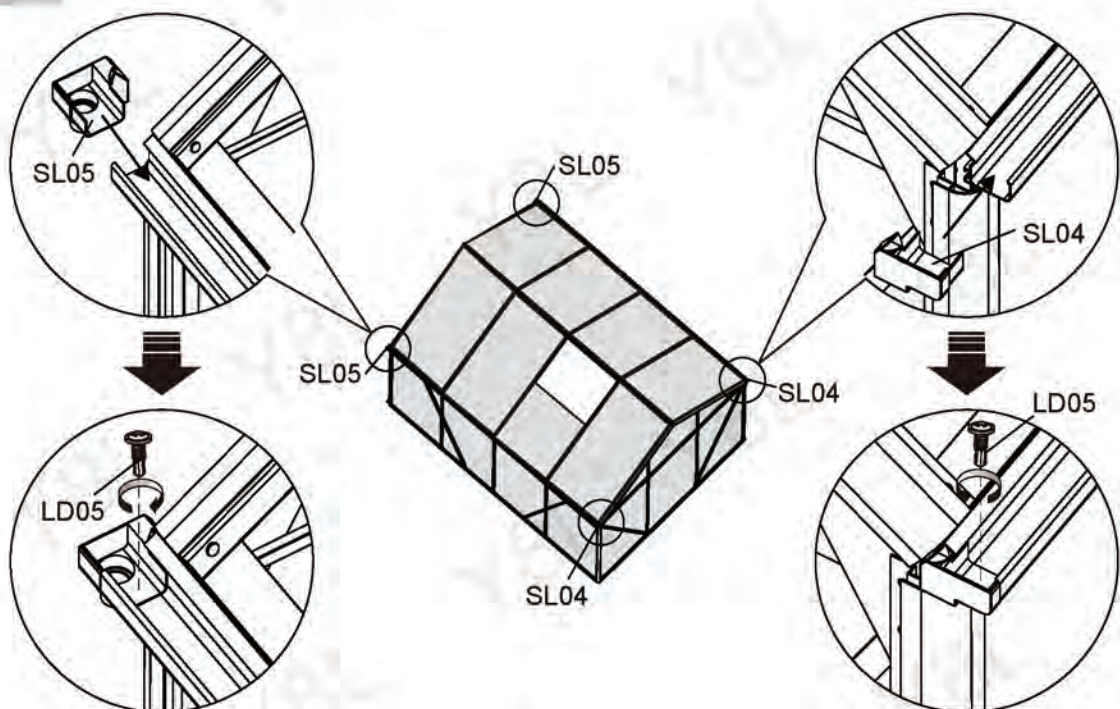


## STEP 6

SL04\*2

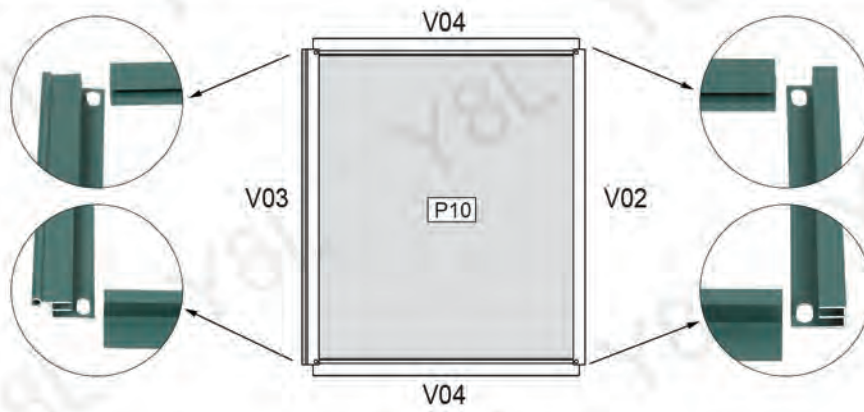
SL05\*2

LD05\*4



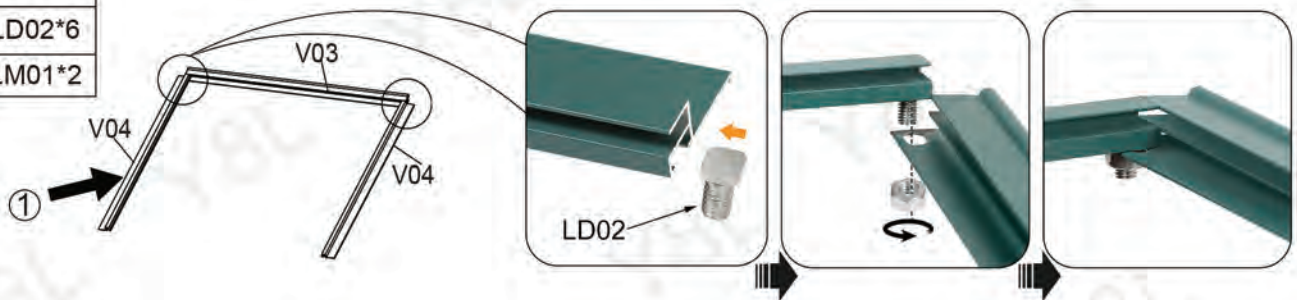
# Vent Assembly

V02	1PC	V03	1PC	V04	2PCS	V016	1PC	V017	1PC	P10	1PC
										20.4"x23"x0.16"	
SL01	2PCS	SL06	1PC	LD02	4PCS	LD04	2PCS	LM01	6PCS	LM02	2PCS
				M6x12		M4x15		M6		M4	



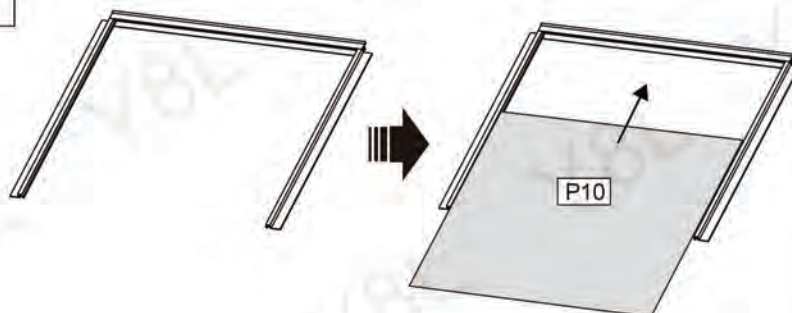
## STEP 1

- V03\*1
- V04\*2
- LD02\*6
- LM01\*2



## STEP 2

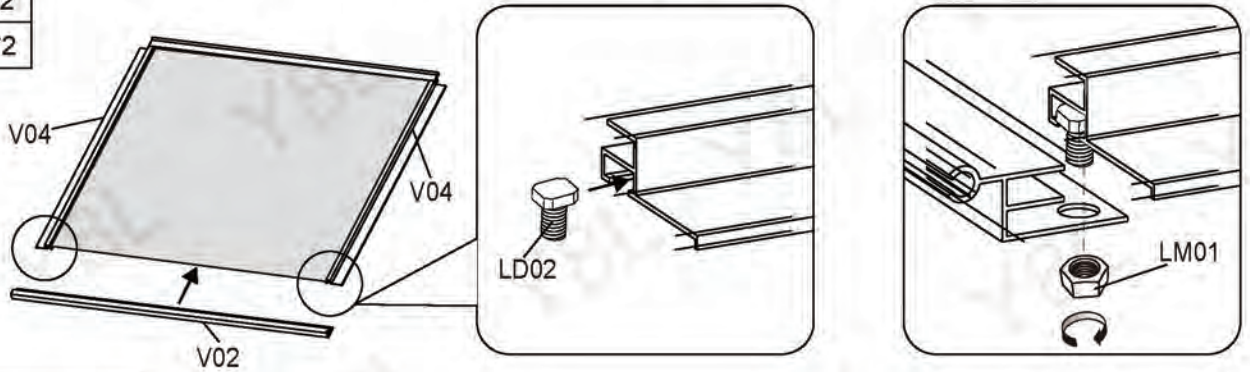
- P10\*1



### STEP 3

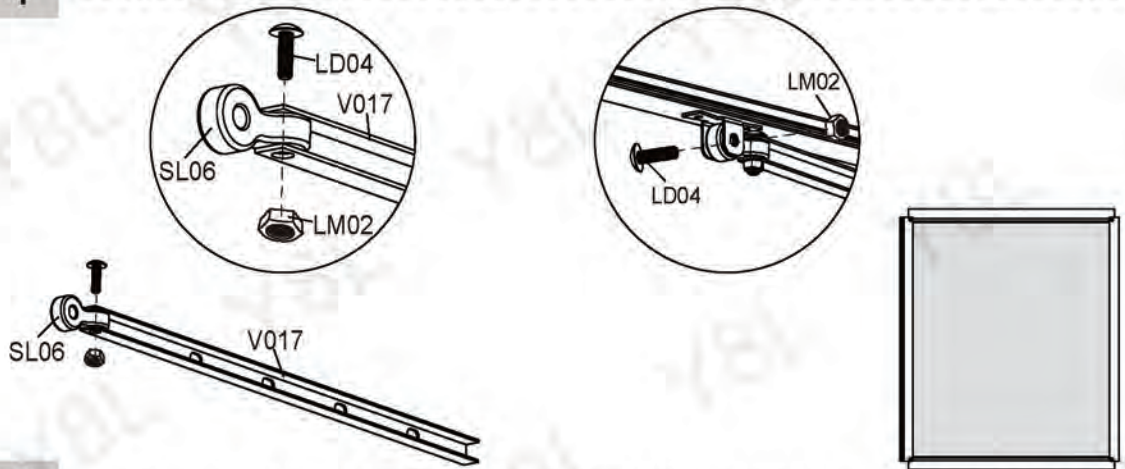
V02*1
LD02*2
LM01*2

Connect V02 and V04 with the bolt LD02 in V04, and tighten with nuts.



### STEP 4

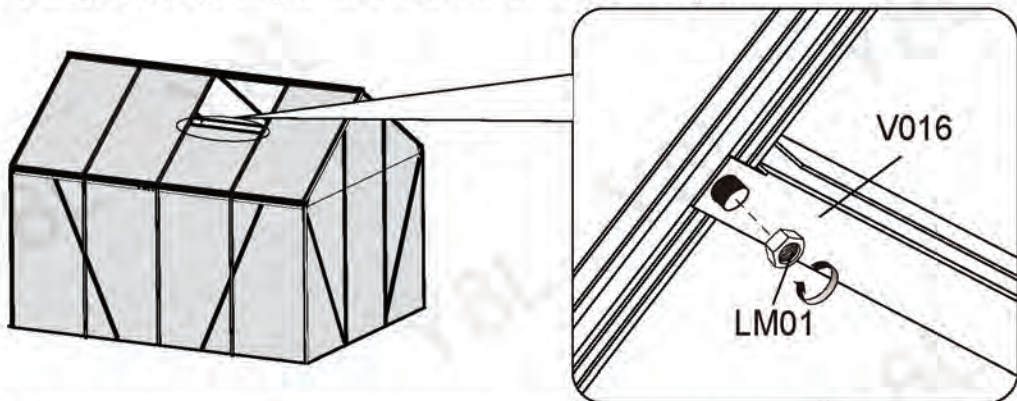
V017*1
SL06*1
LD04*2
LM02*2



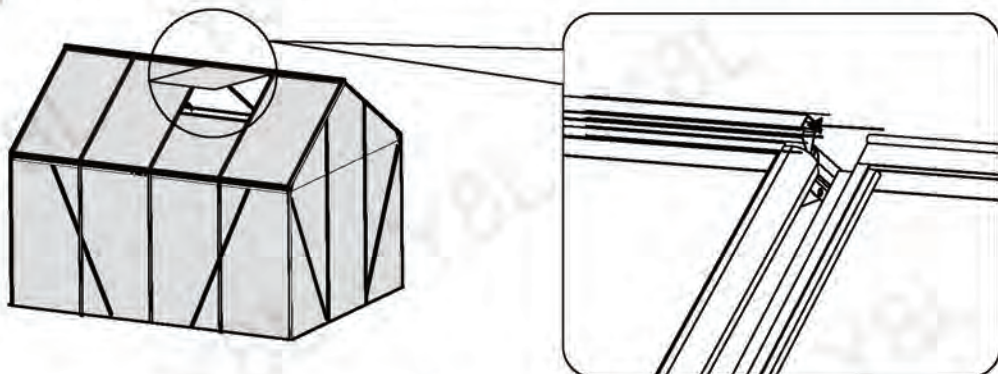
### STEP 5

V016*1
LM01*2

Connect V016 with 1 pre-insert bolt LD02 in R03, and tighten with nuts.

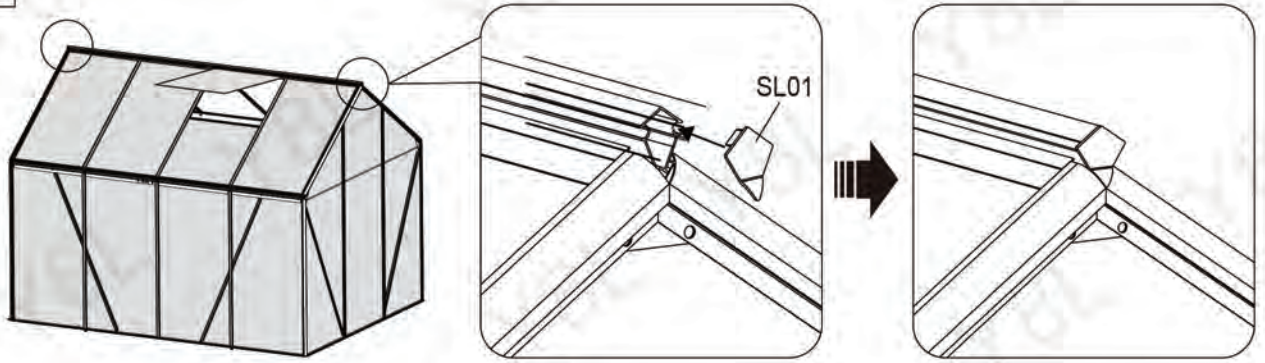


### STEP 6

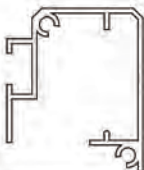

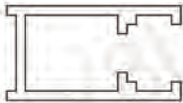










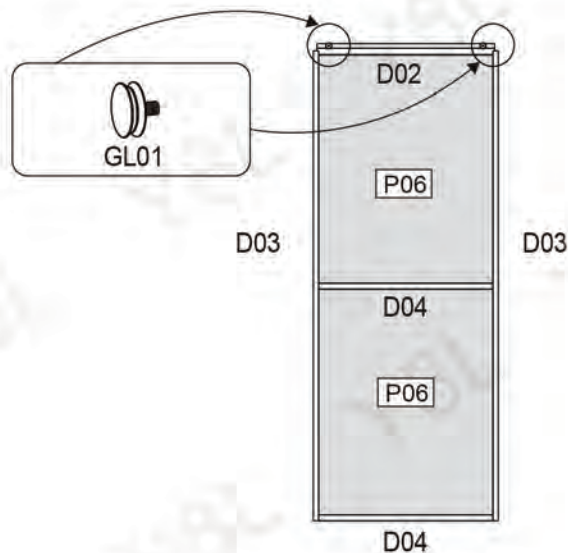
# STEP 7

SL01\*2



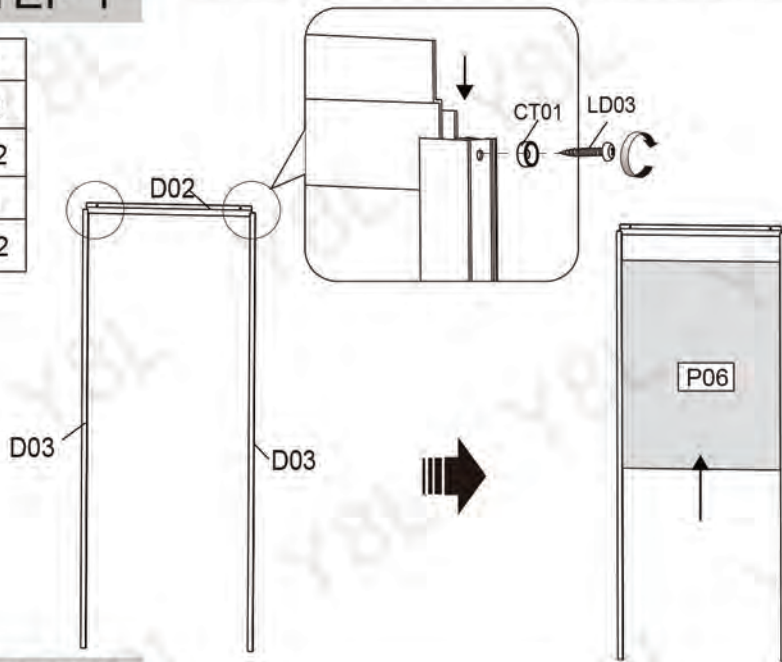
## Door Assembly

D01 1PC 	D02 1PC 	D03 2PCS 	D04 2PCS 	P06 2PCS  30.7"x24.5"x0.16"	
GL01 2PCS 	TP01 2PCS 	CT01 2PCS 	LD02 2PCS  M6x12	LD03 10PCS  ST3.5x25	LM01 4PCS  M6



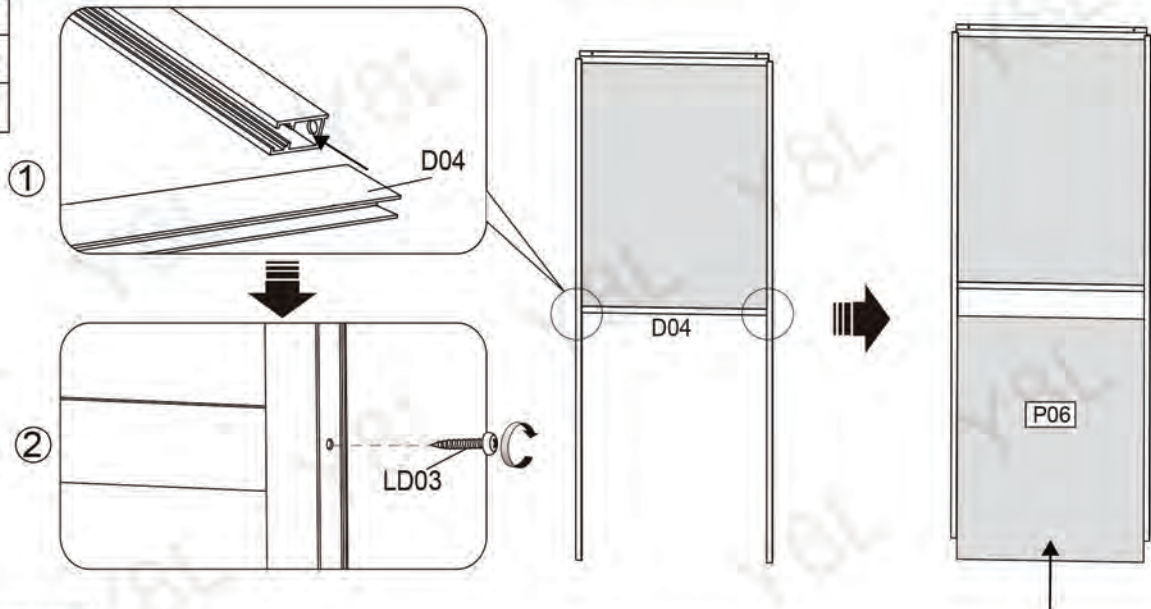
## STEP 1

D02*1
D03*2
LD03*2
P06*1
CT01*2



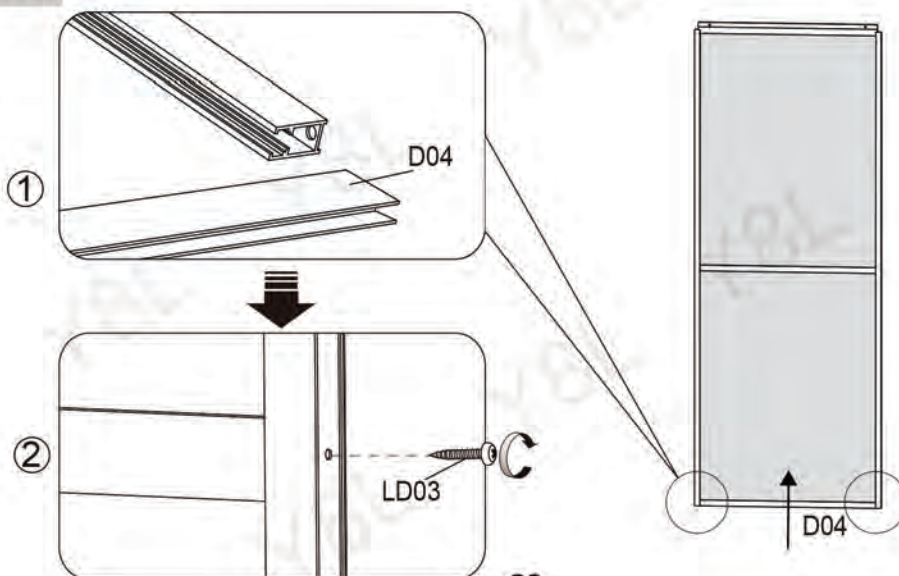
## STEP 2

D04*1
LD03*2
P06*1



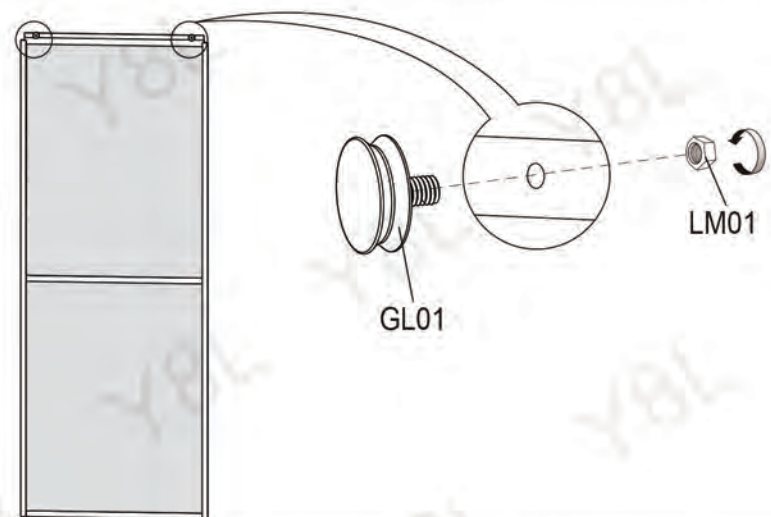
## STEP 3

D04*1
LD03*2



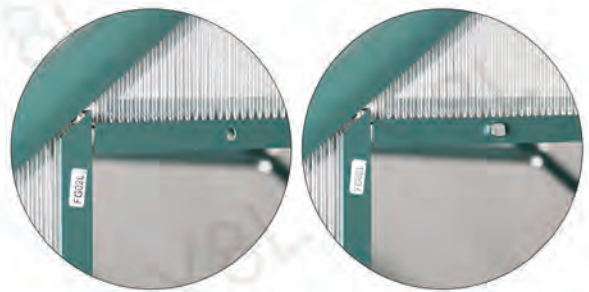
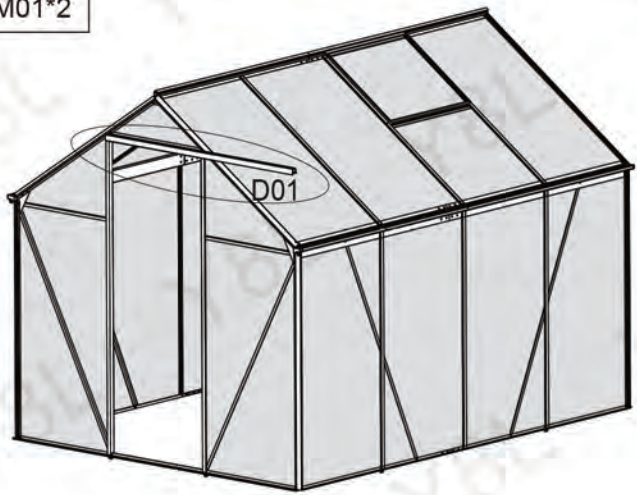
## STEP 4

- GL01\*2
- LM01\*2

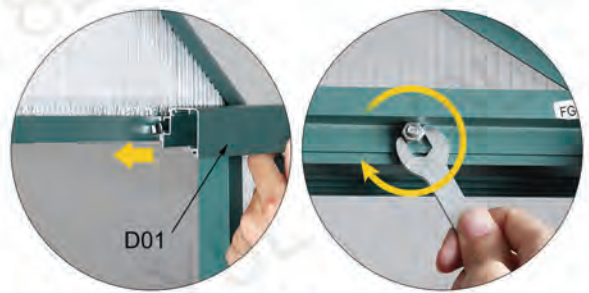


## STEP 5

- D01\*1
- LD02\*2
- LM01\*2

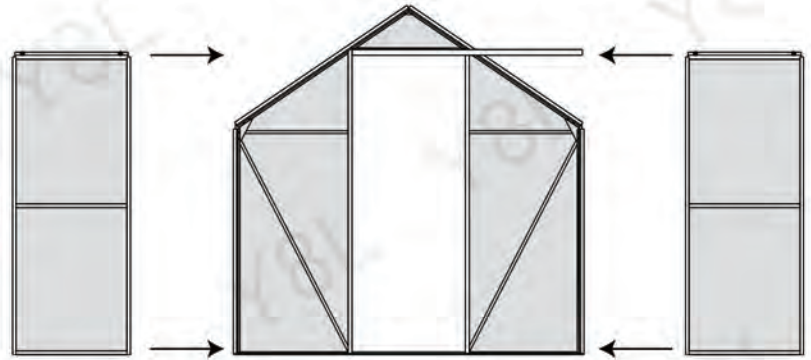


Insert two bolts in FG05. Don't tighten the nuts.



D01 can be installed on left or right. Slide D01 through the screws on FG05, adjust the position to your needs, finally tighten the nuts.

**⚠ Note:** that Part D01 needs to be kept level so that the sliding door can slide smoothly. We suggest to measure it levelness after installing D01, and then move to the next step installation.

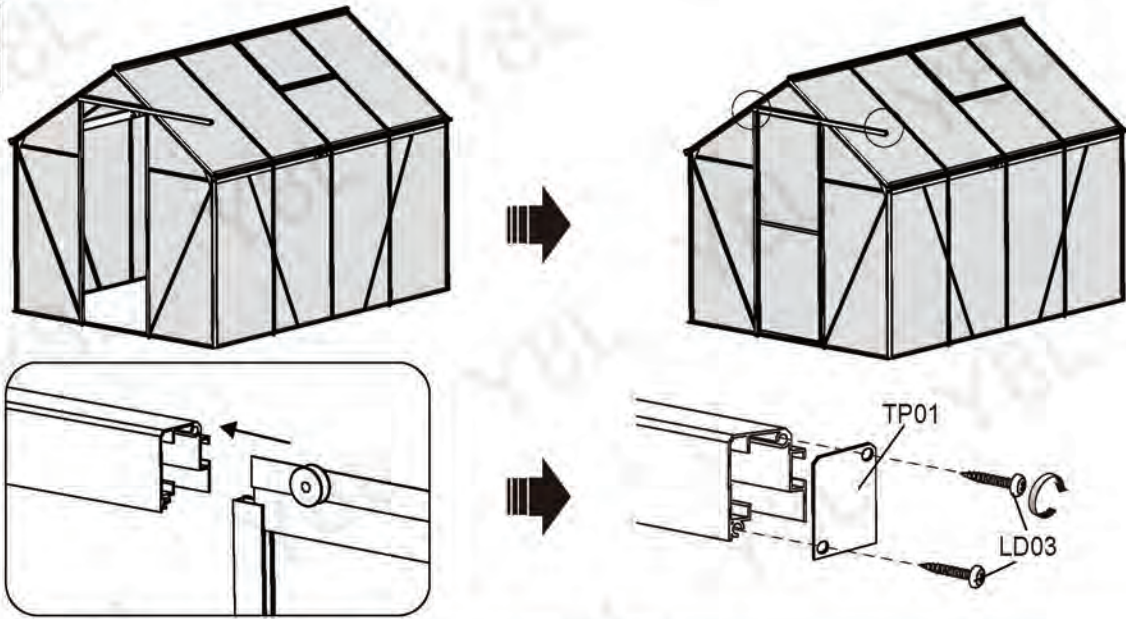


Slide the door in from either side of the D01.

## STEP 6

LD03\*4

TP01\*2



## Base Assembly

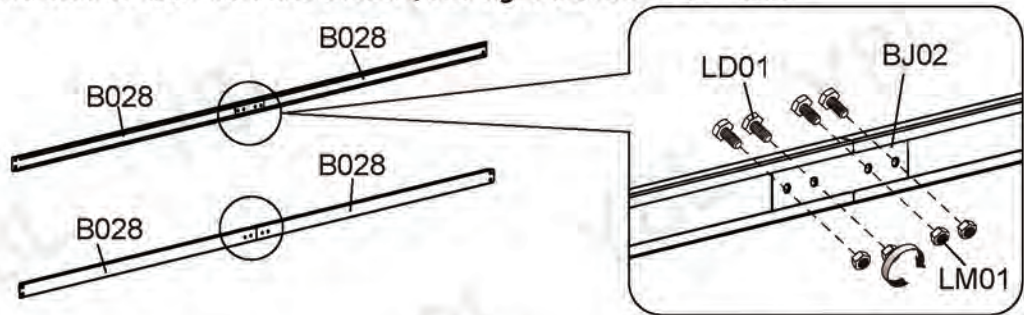
B01	2PCS	B028	4PCS	BJ01	BJ02	LD01	LM01
				4PCS	2PCS	M6x12 24PCS	24PCS

## STEP 1

Connect B028 with the BJ02.

The head of LD01 bolt face outside, and tight the nut LM01 inside.

B028*4
BJ02*2
LD01*8
LM01*8

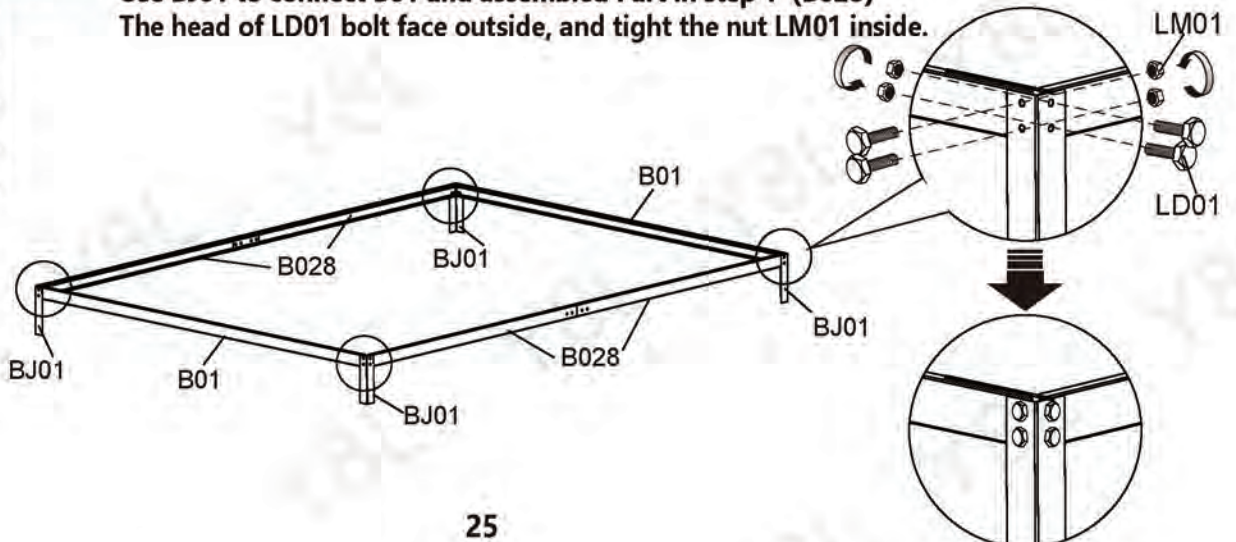


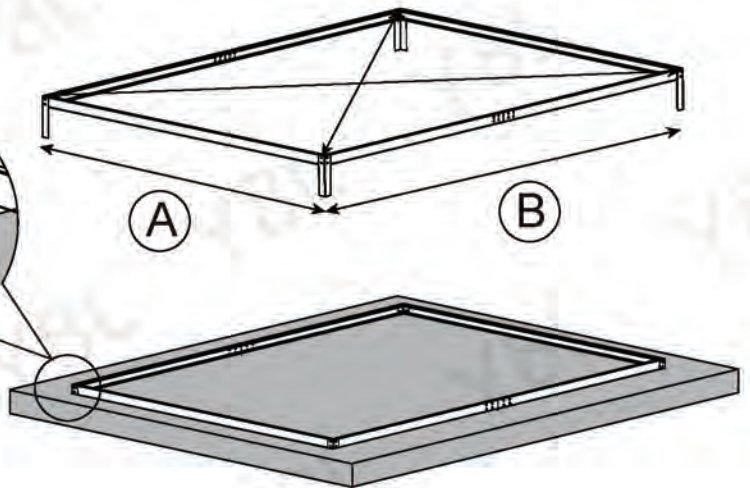
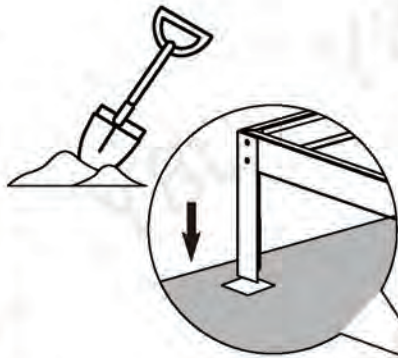
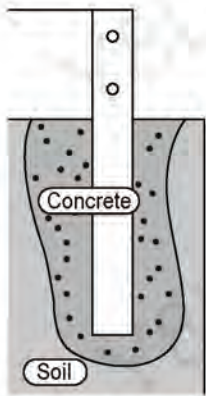
## STEP 2

Use BJ01 to connect B01 and assembled Part in step 1 (B028)

The head of LD01 bolt face outside, and tight the nut LM01 inside.

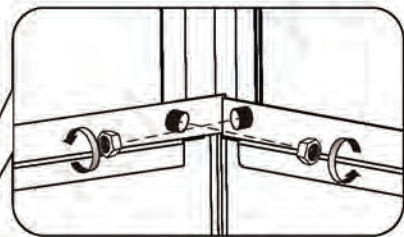
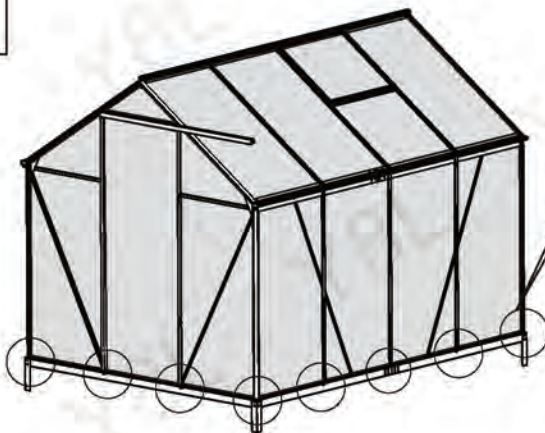
B01*2
BJ01*4
LD01*16
LM01*16



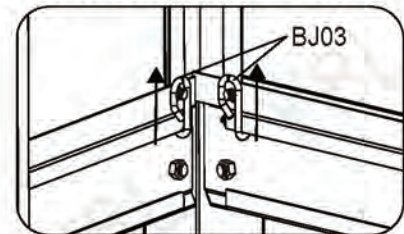


**Corner Stakes mounted into concrete**  
 Best option if you want your greenhouse fully secured.

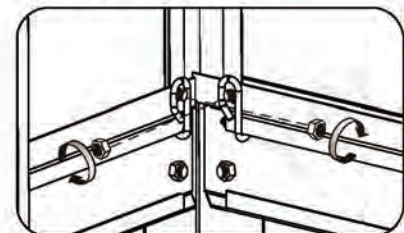
## Base Connector Assembly



1. Loosen Nuts in position shown in the figure



2. Hang the BJ03 connector on the base and lift it up to the bolts



3. Fasten Nuts

Rear Gable side and Front Gable side both needs to install 4 BJ03 connectors.  
 The side wall needs to install 7 BJ03 connectors.  
 The installation position is as shown in the figure.  
 The 8\*6 size Green House needs 18 BJ03 connectors in total.

LD08\*32  
SL07\*32  
SL08\*32

