

# ITEM:723247

## ASSEMBLY INSTRUCTIONS

### ASSEMBLY TIPS:

1. Remove hardware from box and sort by size.
2. Please check to see that all hardware and parts are present prior to start of assembly.
3. Please follow attached instructions in the same sequence as numbered to assure fast & easy assembly.

### WARNING!

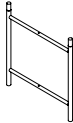
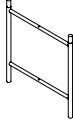




1. Don't attempt to repair or modify parts that are broken or defective.  
Please contact the store immediately.
2. This product is for home use only and not intended for commercial establishments.

ASSEMBLY TIME

30 MINUTES

## PARTS IDENTIFICATION

|   |                 |  |     |
|---|-----------------|--|-----|
| A | INNER LEG FRAME |   | 1PC |
| B | OUTER LEG FRAME |  | 1PC |
| C | TOP FRAME       |  | 1PC |
| D | GLASS TOP       |  | 1PC |

## HARDWARE IDENTIFICATION

|   |                                      |   |      |
|---|--------------------------------------|---|------|
| 1 | LONG BOLT (1/4" x 1-3/8"L - GD)      |  | 2PCS |
| 2 | HEX NUT (5 x 10H mm - GD)            |  | 2PCS |
| 3 | PLASTIC END CAP (Φ22 x 12H mm - BLK) |  | 4PCS |
| 4 | SHORT BOLT (3/16" x 1/2"L - GD)      |  | 4PCS |
| 5 | ALLEN WRENCH (4 x 20W x 57L mm - SR) |  | 1PC  |
| 6 | OPEN END WRENCH (60L x 25W mm - SR)  |  | 1PC  |

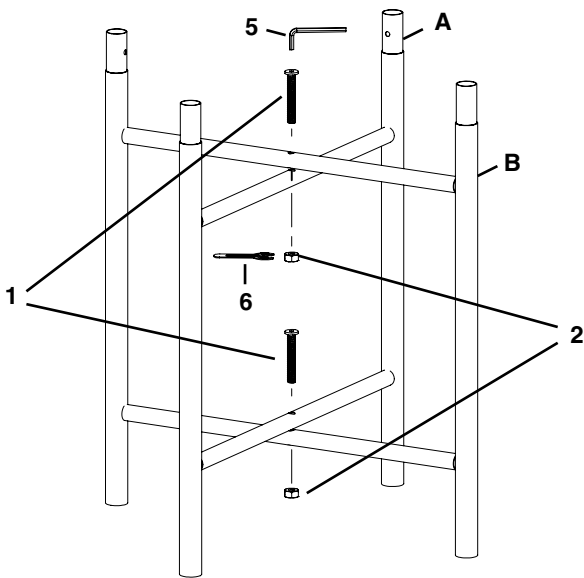
### NOTE:

Phillips head screw driver is required in the assembly process; however, manufacturer does not provide this item.

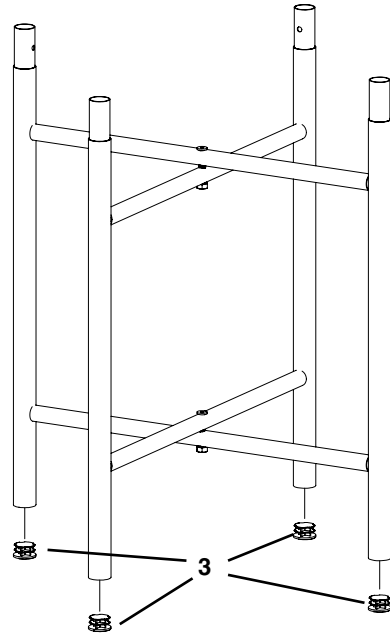
**ITEM:723247**

**ASSEMBLY INSTRUCTIONS**

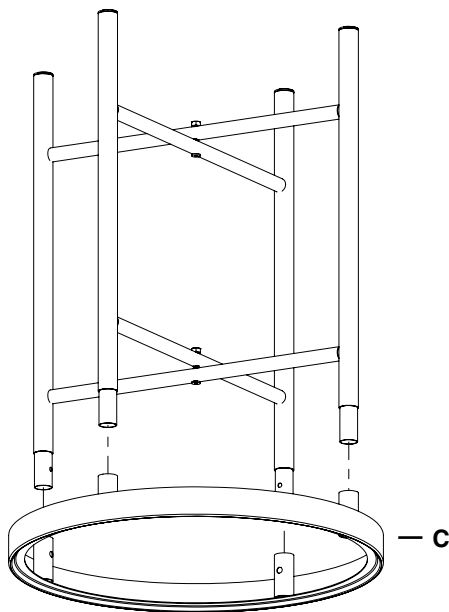
**STEP 1**



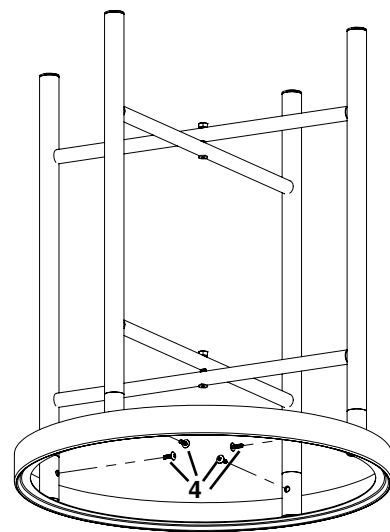
**STEP 2**



**STEP 3**



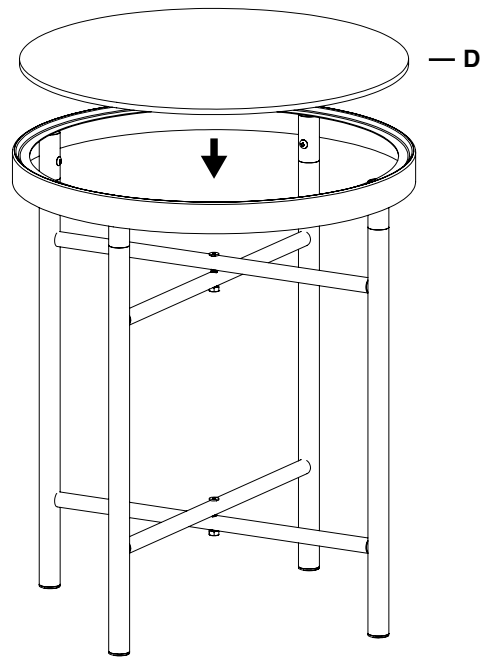
**STEP 4**



**ITEM:723247**

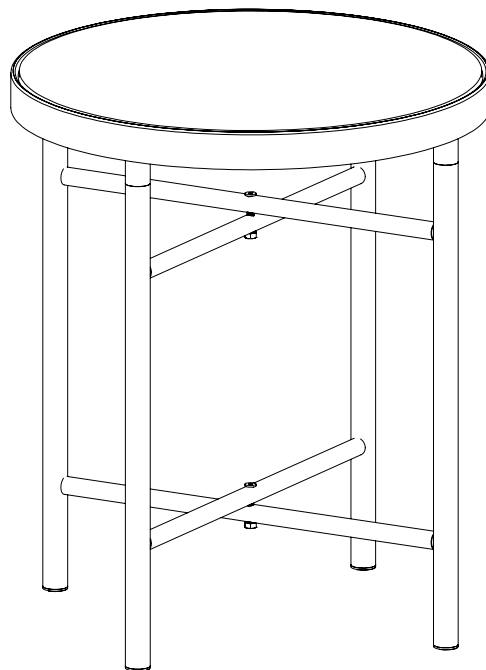
**ASSEMBLY INSTRUCTIONS**

**STEP 5**

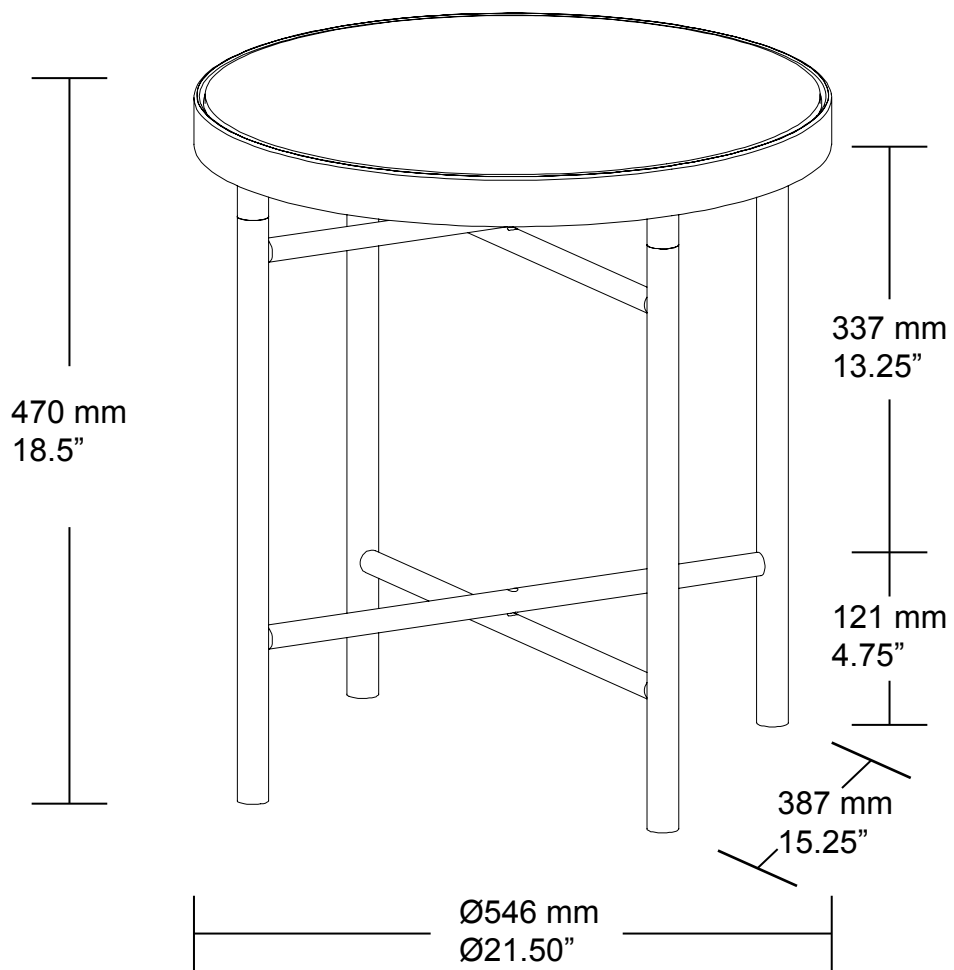


---

**STEP 6**  
**COMPLETE**



**ITEM:723247**



Note : Dimension tolerance  $\pm 5\%$