

INSTALLATION AND CARE GUIDE

BEFORE YOU BEGIN



Prior to installation, thoroughly read and comprehend this manual.



We recommend professional installation for optimal results.



Shield surfaces from sharp objects, high heat, and chemicals.



Verify all components against the **PART LIST**. Promptly inform your retailer of any missing items.



Two-man crew handling needed



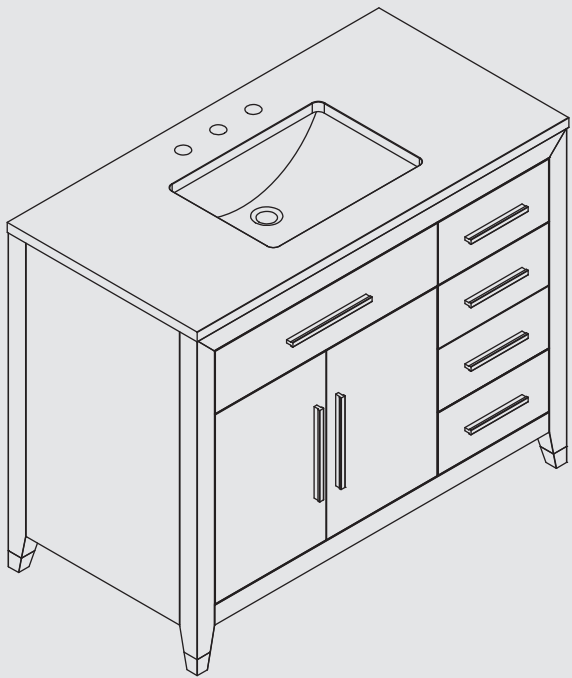
Do not lift or carry the backsplash flat



Always carry or move the backsplash vertically to avoid breakage

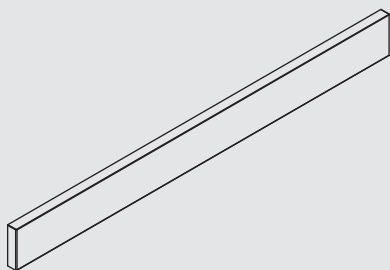
WHAT'S INCLUDED IN THE PACKAGE

A



x1

B



x1

A. VANITY

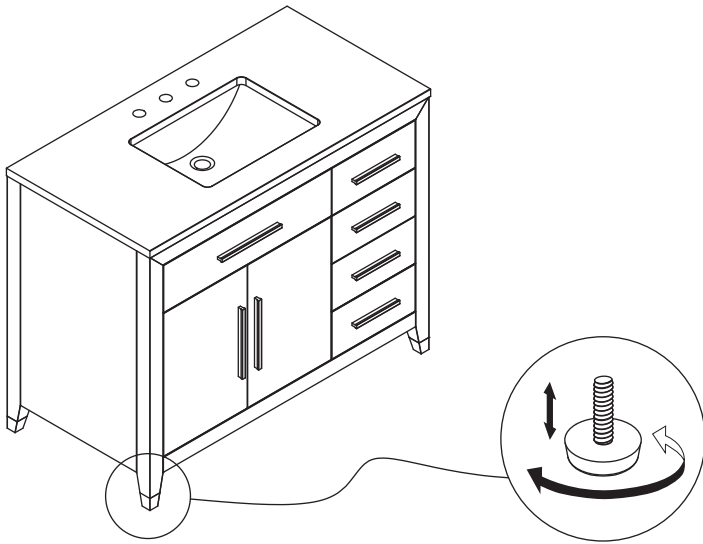
B. BACKSPLASH

INSTALLATION INSTRUCTION

STEP1. Adjust the vanity's height at its final location.

Note:

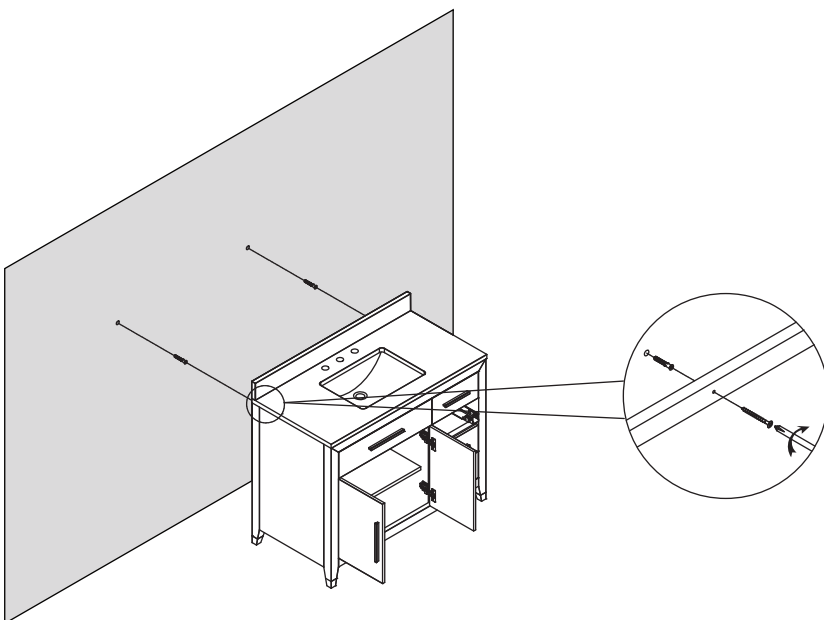
Rotate the adjustable leveler foot pins, located on the bottom of each leg, to adjust the vanity's height.



STEP2. Mount the vanity to the wall (mounting hardware not included). Ensure the vanity is securely fastened using suitable hardware based on your wall type. Exercise caution to avoid disrupting any hidden electrical or water lines present within the wall.

Note:

It is crucial to securely fasten the vanity to the wall.

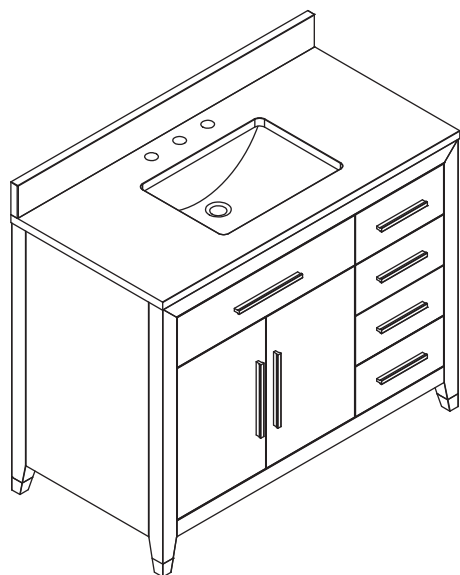
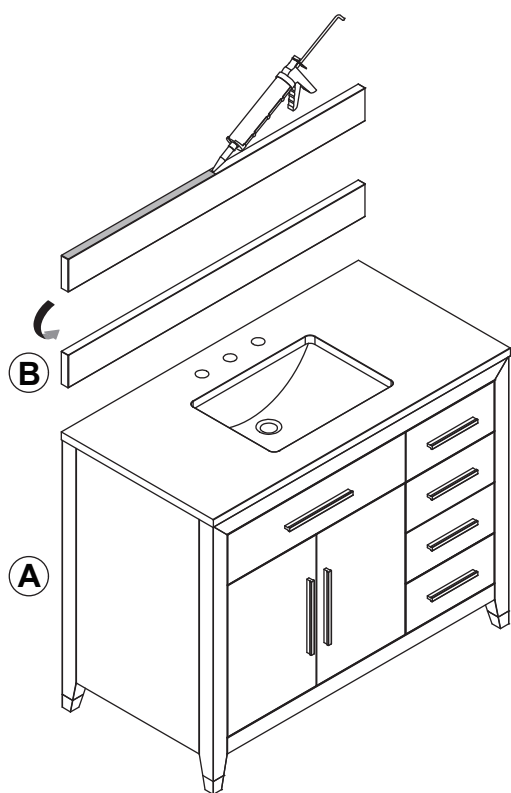


INSTALLATION INSTRUCTION

STEP3. Attach the Backsplash (Optional).

Note:

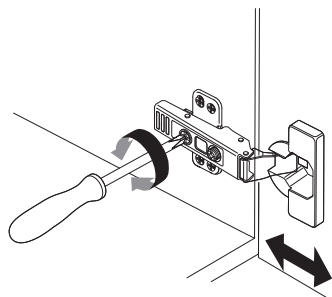
Allow the unit to stand for 24 hours to ensure the silicone is fully dried. Please note that the backsplash is an optional component and can be added or omitted according to your personal preference.



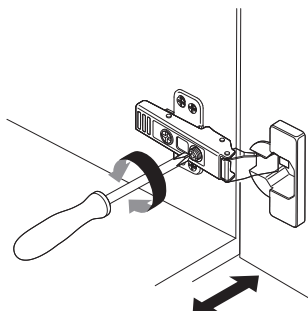
24H

INSTALLATION INSTRUCTION

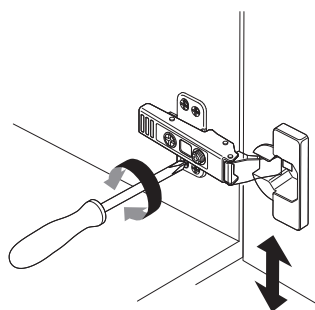
Fine-tune the Door Fit by Adjusting the Hinges, if Necessary.



Screw A for door in & out adjustment.

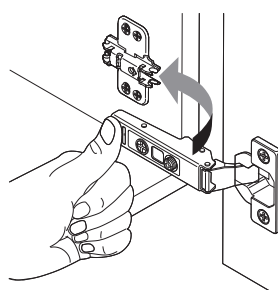


Screw B for door left & right adjustment.

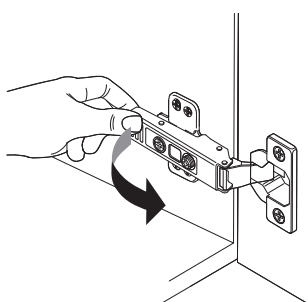


Screw C for door up & down adjustment.

To remove or install the hinges:



remove



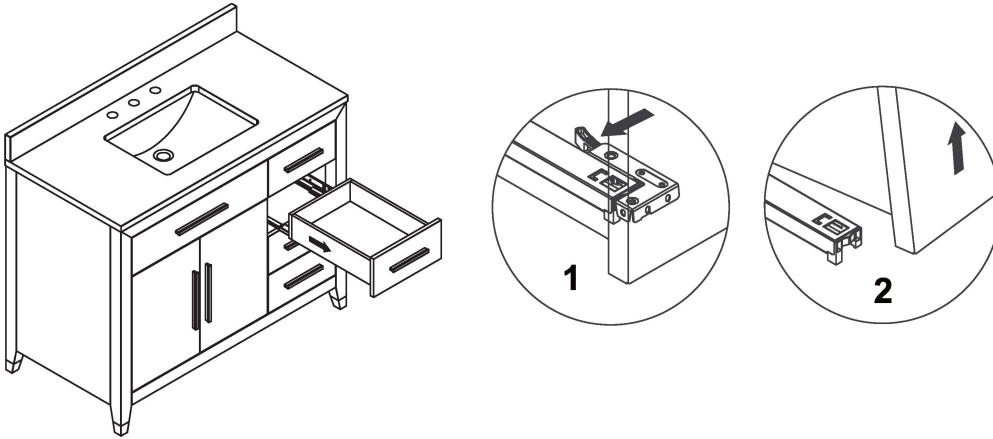
install

INSTALLATION INSTRUCTION

To Remove or Reinstall the Drawers (If needed)

To Remove the drawer, follow these steps:

- a. Fully extend the drawer and locate the colored plastic clip underneath the drawer box.
- b. Simultaneously push both levers to disengage the drawer box.
- c. Gently lift the drawer to remove it from the glide tracks. Set the drawer aside for re-installation later.

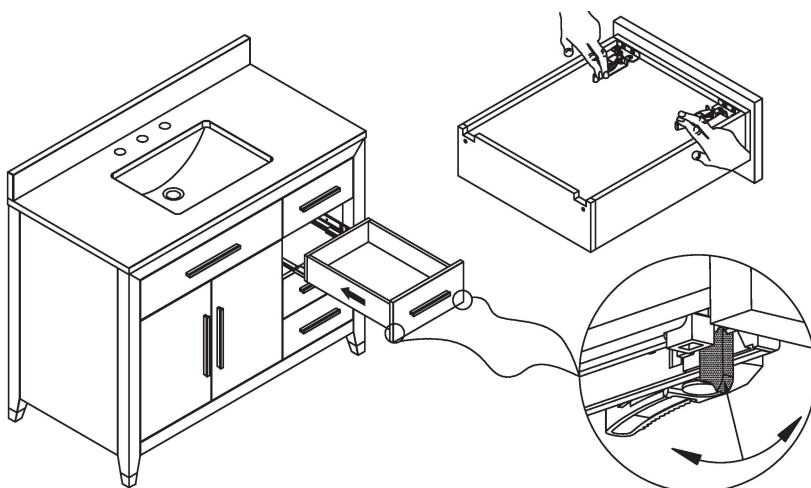


To Reinstall the drawer, follow these steps:

- a. Fully extend the drawer glide tracks.
- b. Carefully place the back of the drawer box into the metal hook located on the back of the drawer track.
- c. Once the glide hook is inserted into the hole in the back of the drawer box, gently lower the drawer box onto the extended glide tracks.
- d. Test to ensure that the drawer box is fully engaged. If the drawer box can still be lifted off the glide track, repeat the steps from the beginning. Never force anything as it may damage the drawer or glide hardware.

Note:

The drawer's position can be slightly adjusted up or down by twisting the adjuster knob next to the glide handles.



CARE AND MAINTENANCE

By following these care guidelines, you can help preserve the appearance and longevity of your bathroom vanity.

For the Stone,

It is recommended to seal your stone at least twice a year with a high-quality stone sealer. This helps prevent staining and discoloration. The need for resealing can be determined when water no longer beads on the surface. For best results, apply the sealer before using your vanity.

Keep the stone top dry and clean at all times. Immediately blot up any liquid spills gently to prevent them from penetrating the surface.

When cleaning the stone top, use a soft cloth and neutral soapy water or a cleaning product specifically designed for stones. Avoid using chemical or abrasive cleaners, as well as products containing lemon, vinegar, or other acidic substances.

Place mats or coasters under any items placed on the countertop to prevent scratching the surface.

Avoid attempting to repair larger scratches, chips, or resilient stains by yourself, as this may cause irreversible damage to the stone. Professional treatment is recommended for such issues. Contact your local stone shop for assistance.

CARE AND MAINTENANCE

For the Cabinet,

1. Regular Cleaning:

Dust the cabinet regularly with a soft, non-lint producing cloth or a household dusting product to prevent the buildup of dust and debris.

Clean the cabinet surface with a gentle, non-abrasive household cleaner suitable for painted wood surfaces.

Avoid excessive moisture and wipe the cabinet dry immediately after cleaning to prevent damage to the paint.

2. Avoid Harsh Chemicals:

Avoid using harsh chemicals, solvents or abrasive cleaners that can damage the painted surface. Do not use products containing acetone, bleach, ammonia, or vinegar, as they can cause discoloration or strip the paint.

3. Protection from Sunlight:

Avoid placing the cabinet in direct sunlight, as prolonged exposure to sunlight can cause fading and discoloration of the paint.

Use curtains or blinds to protect the cabinet from direct sunlight or consider repositioning the cabinet if necessary.

4. Handling Spills and Moisture

Clean up spills immediately to prevent moisture from seeping into the wood or causing damage to the paint.

Wipe off any spills with a soft cloth or paper towel and dry the surface thoroughly.

5. Avoid Excessive Moisture

Prevent excessive exposure to moisture, such as standing water or high humidity, as it can warp the wood or affect the integrity of the paint finish.

Ensure proper ventilation in the bathroom to minimize moisture levels.

REPLACEMENT PART LIST

Part	Description
B	Flip-out Drawer Panel ***
C	Flip-out Drawer Box ***
D	Top Drawer Panel ***
E	Top Drawer Box ***
F	Middle Drawer Panel ***
G	Middle Drawer Box ***
H	Bottom Drawer Panel ***
I	Bottom Drawer Box ***
J	Left Door ***
K	Right Door ***
L	Shelf ***
M	Drawer Hinge & Arm (for flip-out drawer)
N	Drawer Slide (left)
O	Drawer Slide (right)
P	Door Hinge
Q	Handle A
R	Handle B
S	Metal Foot
T	Foot Leveler

Note:

*** Parts are made-to-order and may not have readily available in our current stock. Please contact us for the most up-to-date lead time regarding these parts.

REPLACEMENT PART LIST

