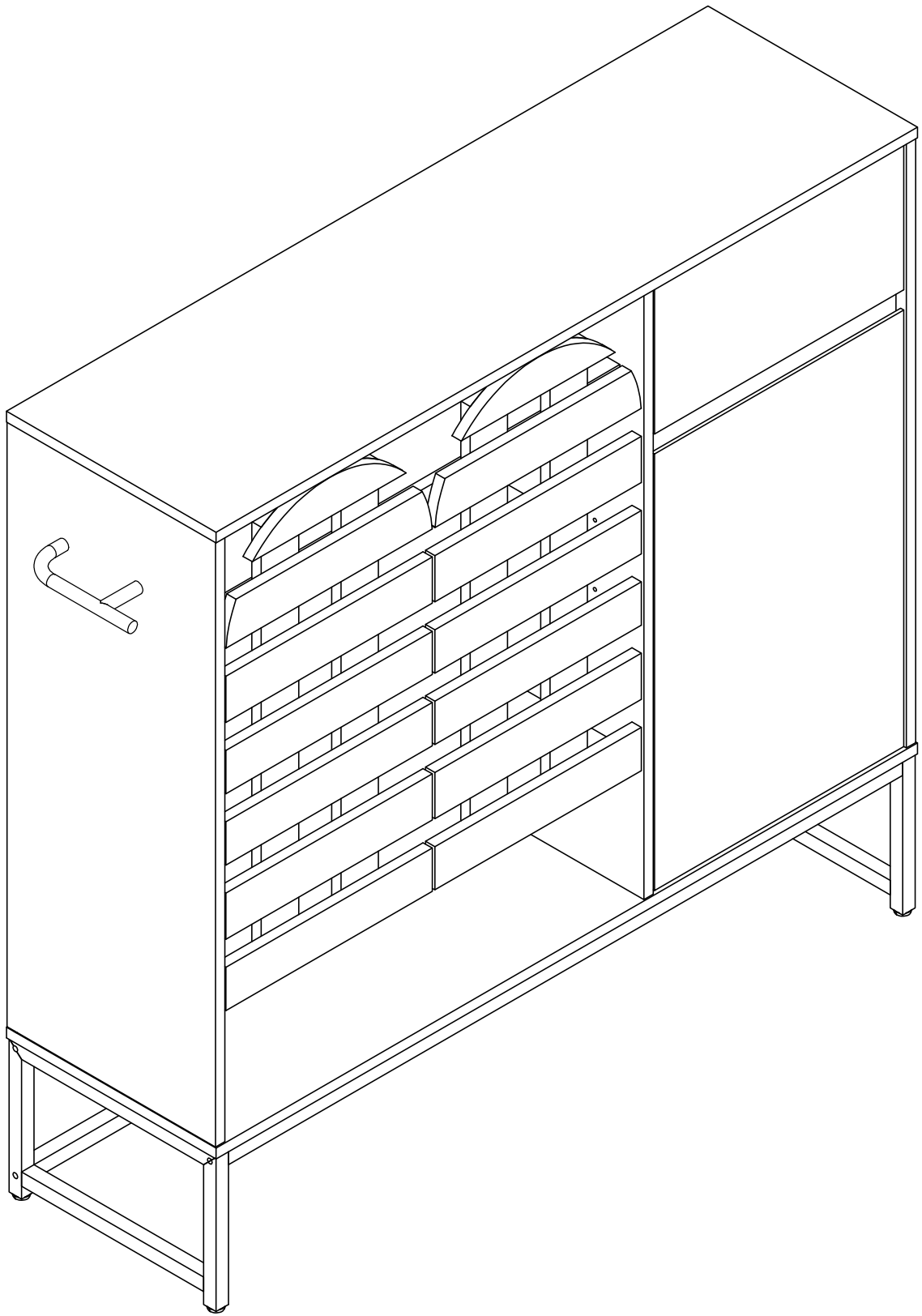
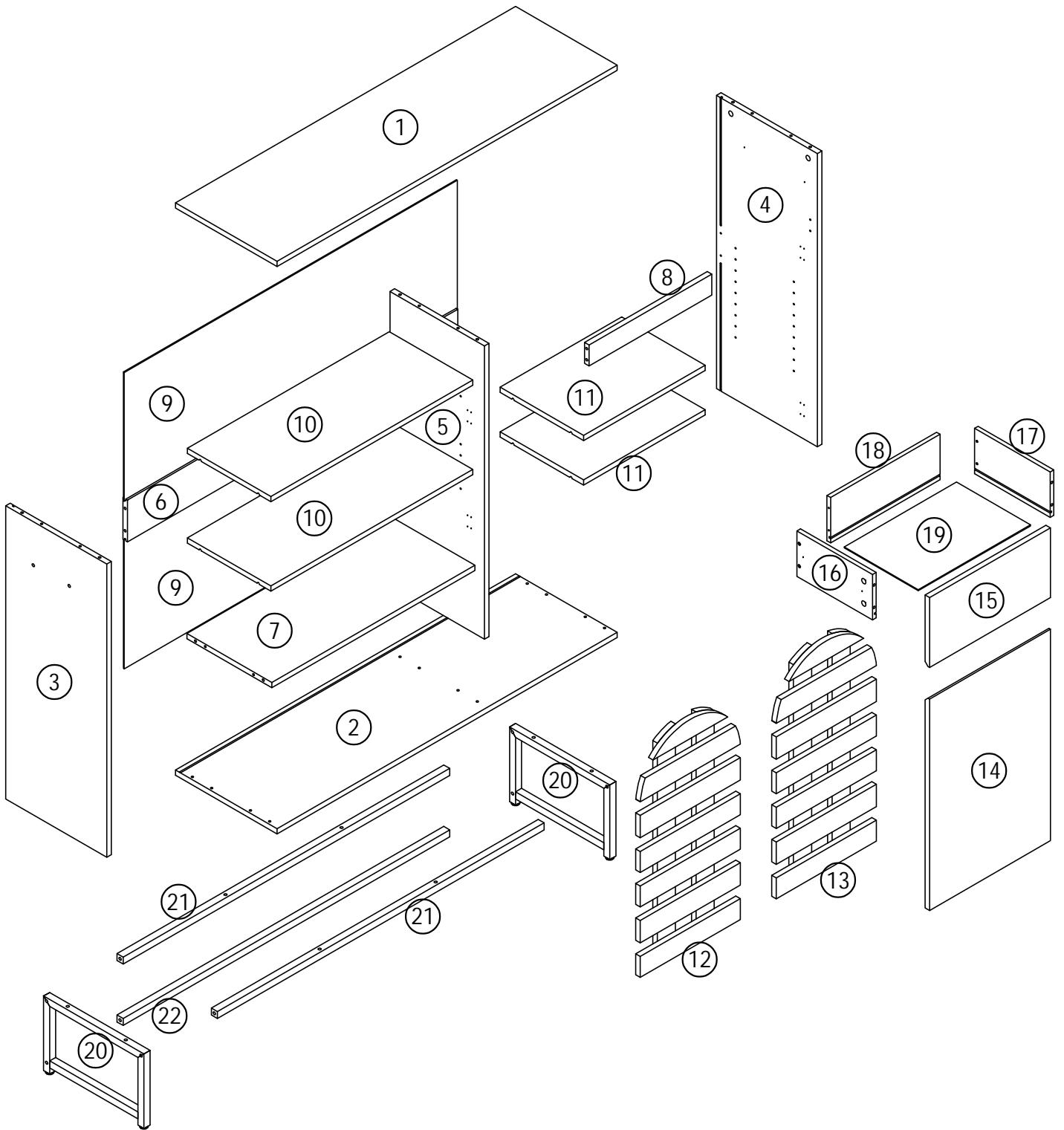


SIDEBOARD

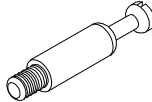


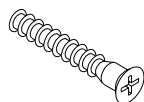
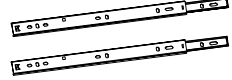
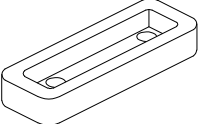
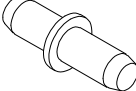
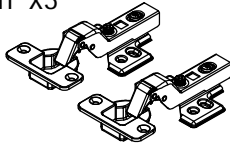
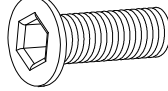
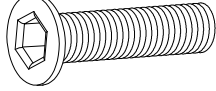
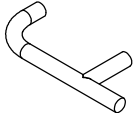


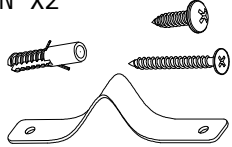
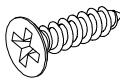
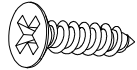
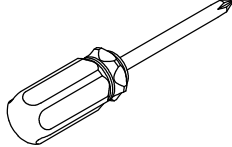
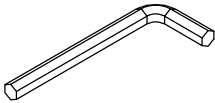


version : 1.0

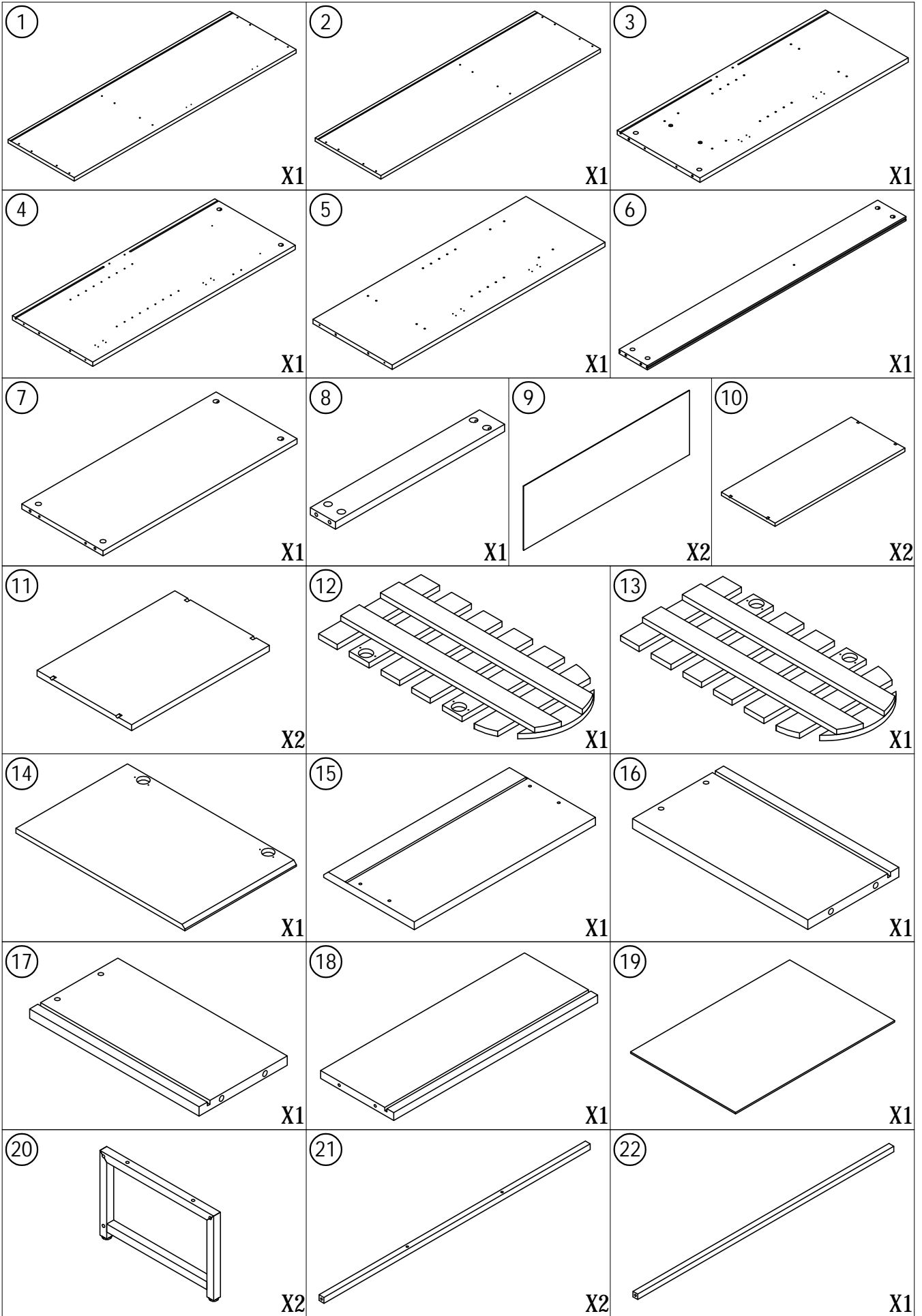
ASSEMBLY INSTRUCTIONS

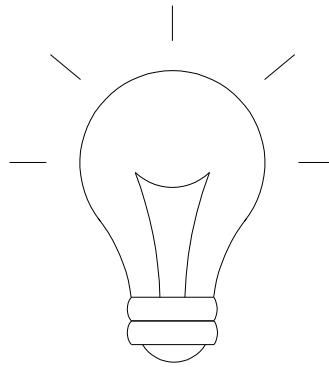


ASSEMBLY INSTRUCTIONS

<p>A x22</p>  <p>∅6x35mm</p> <p>spare:2</p>	<p>B x22</p>  <p>∅15x10mm</p> <p>spare:2</p>	<p>C x16</p>  <p>∅6x30mm</p> <p>spare:2</p>	<p>D x11</p>  <p>∅5x38mm</p> <p>spare:1</p>	<p>E x1</p>  <p>L=250mm</p>
<p>F x2</p> 	<p>G x16</p>  <p>∅5x17mm</p> <p>spare:1</p>	<p>H x3</p> 	<p>I x10</p>  <p>M6x30mm</p> <p>spare:1</p>	<p>J x6</p>  <p>M6x45mm</p> <p>spare:1</p>
<p>K x1</p> 	<p>L x12</p>  <p>∅6x3x16mm</p> <p>spare:1</p>	<p>M x10</p>  <p>∅20mm</p> <p>spare:2</p>	<p>N x2</p> 	<p>O x10</p>  <p>∅3.5x12mm</p> <p>spare:2</p>
<p>P x40</p>  <p>∅3.5x14mm</p> <p>spare:4</p>		 <p>4mm</p>		

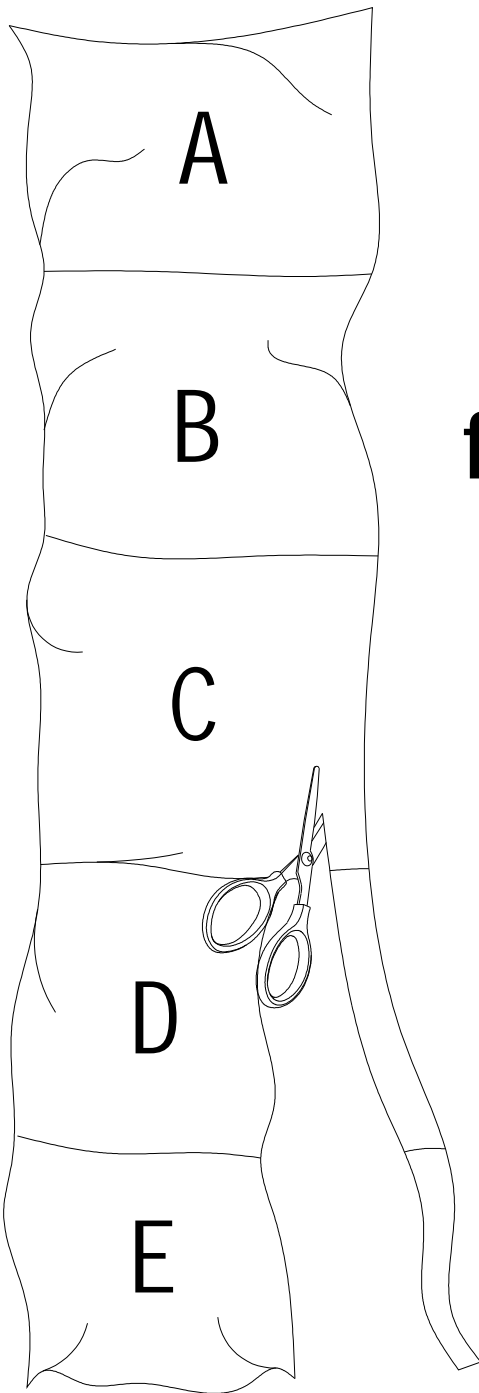
ASSEMBLY INSTRUCTIONS





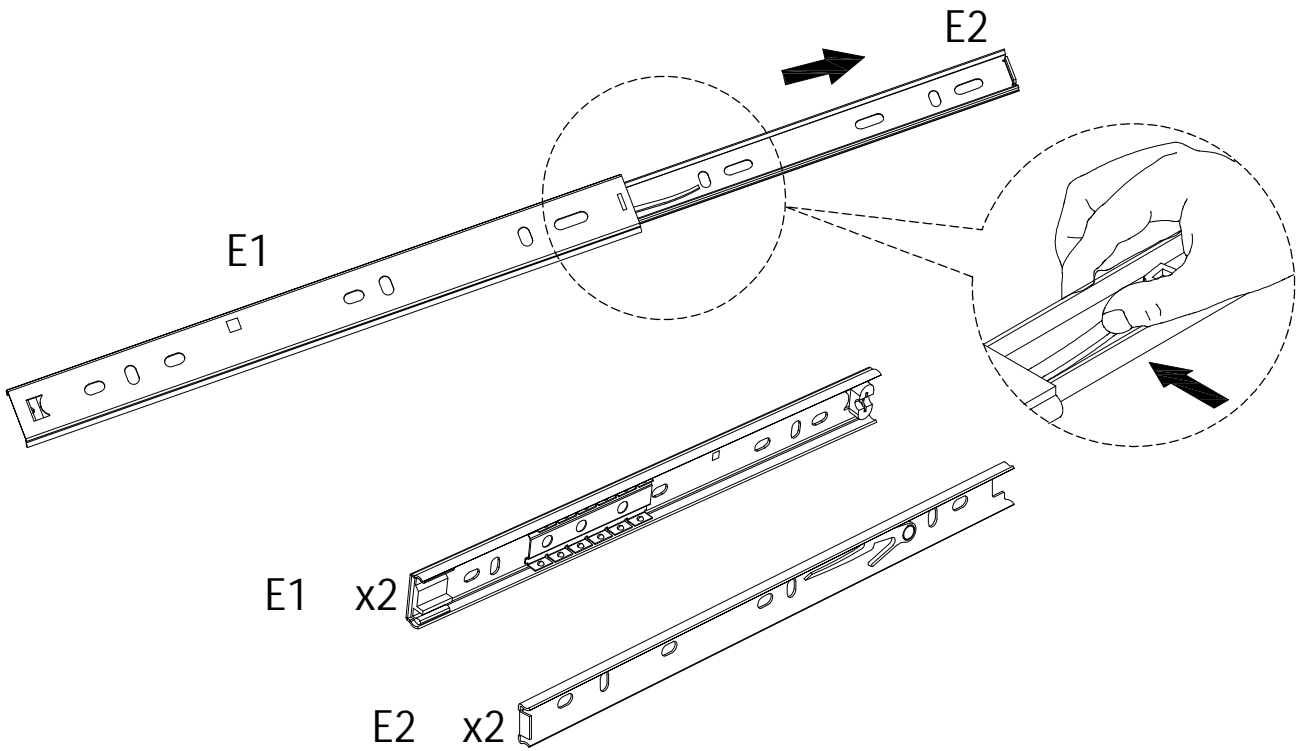
friendly reminder

To avoid errors and confusion during the installation of accessories, use the type and quantity of hardware accessories according to the installation procedure described in the instructions. First, unroll the accessories bag and lay out the hardware accessories, cut holes in the side, and take out the hardware accessories



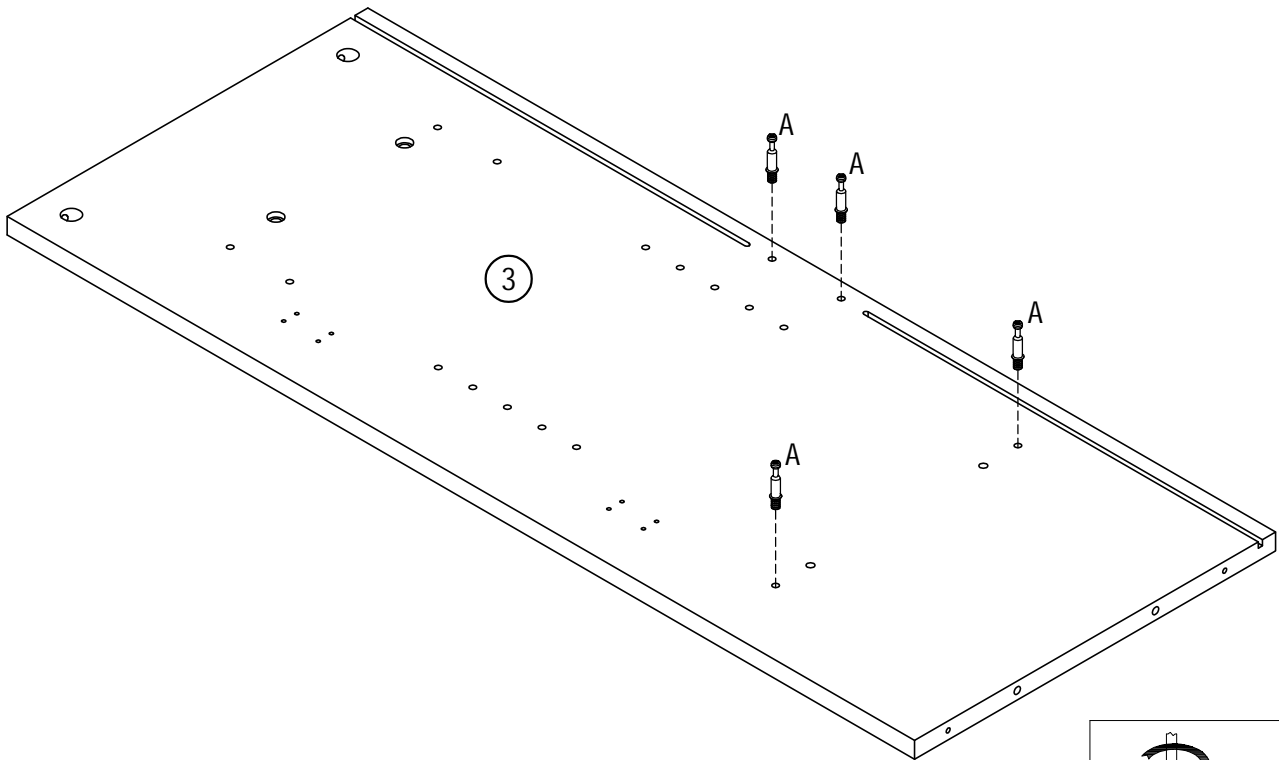
INSTALLATION

STEP 1

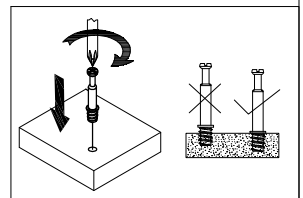


E	X1

STEP 2

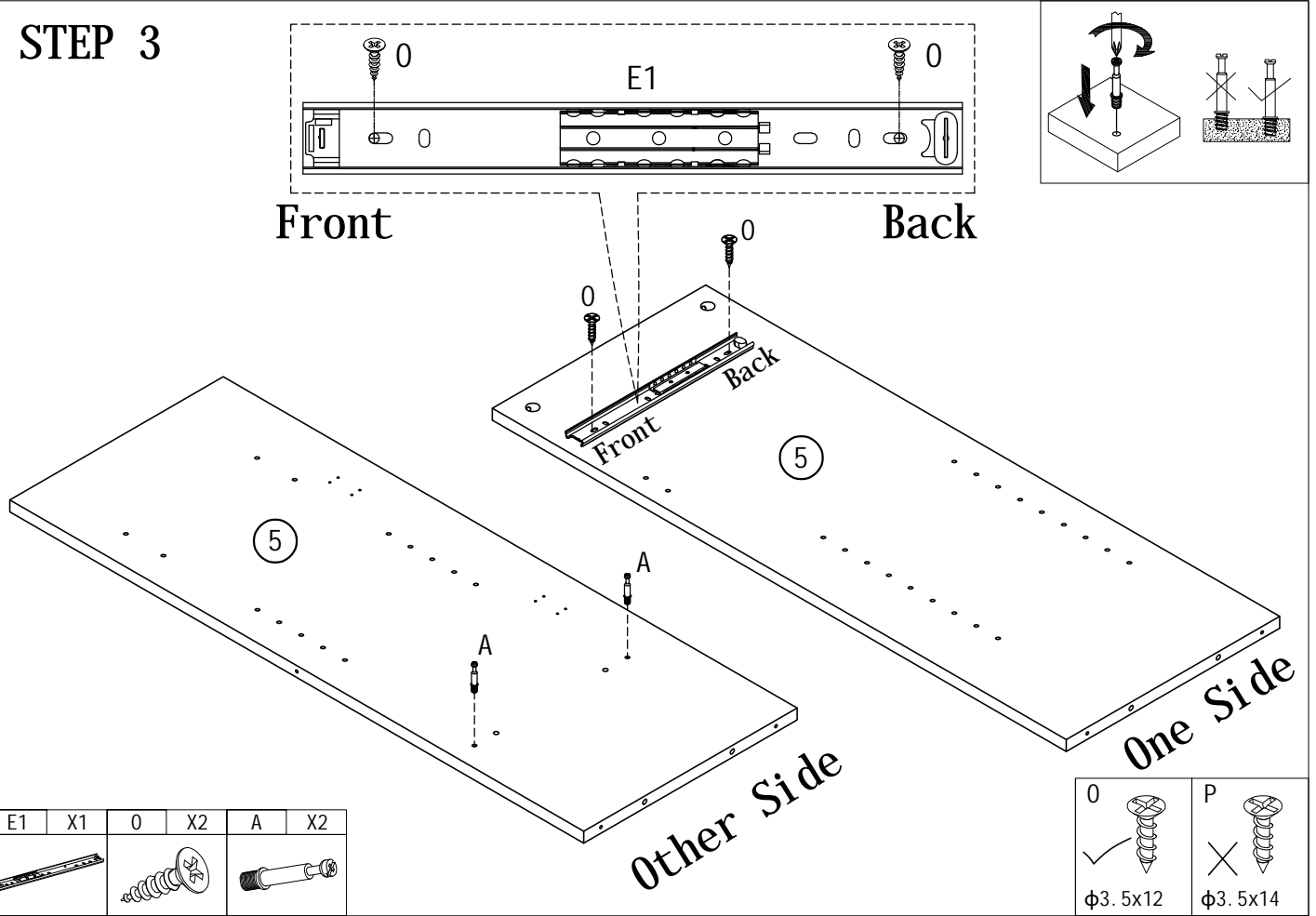


A	X4

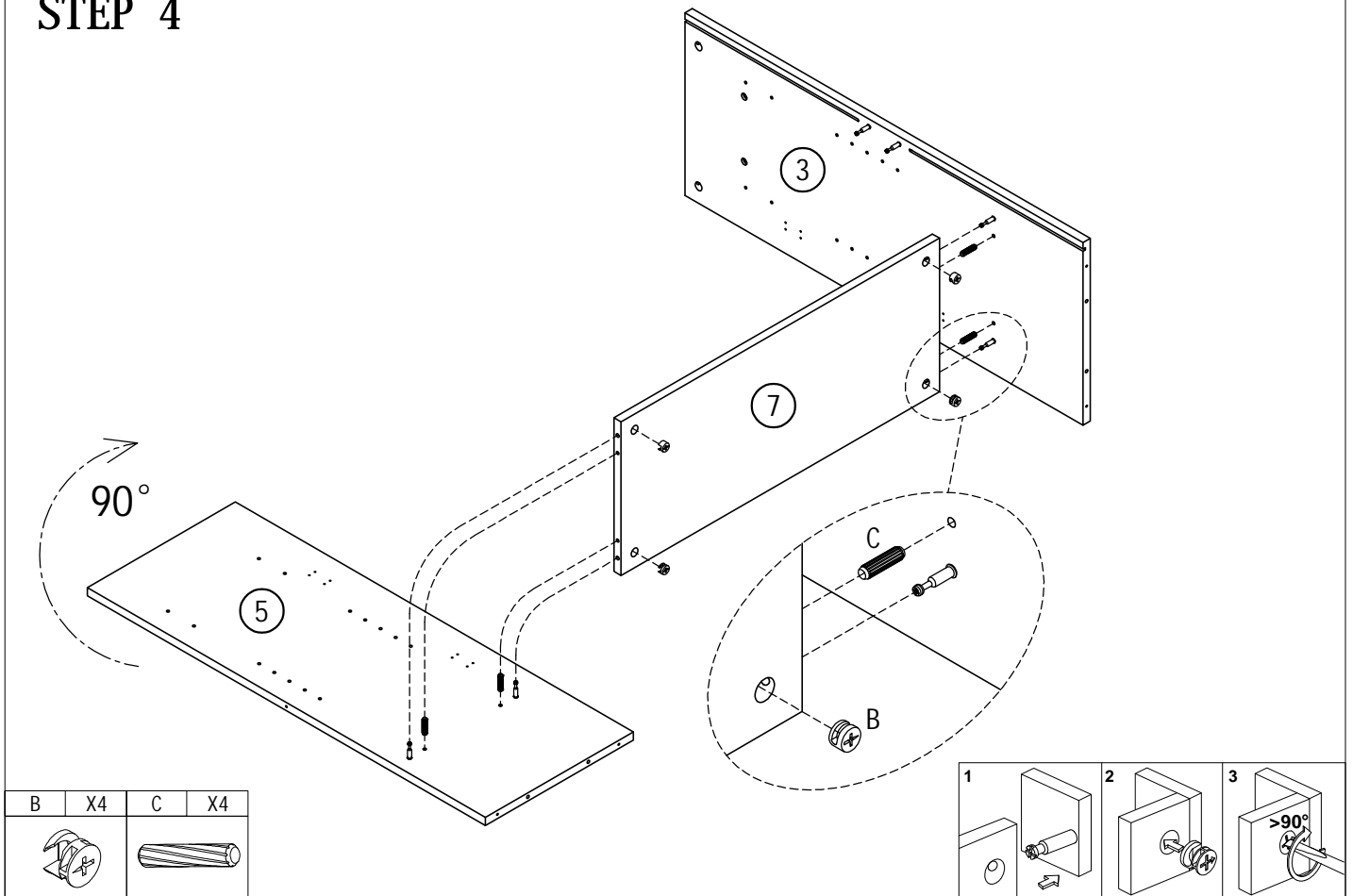


INSTALLATION

STEP 3

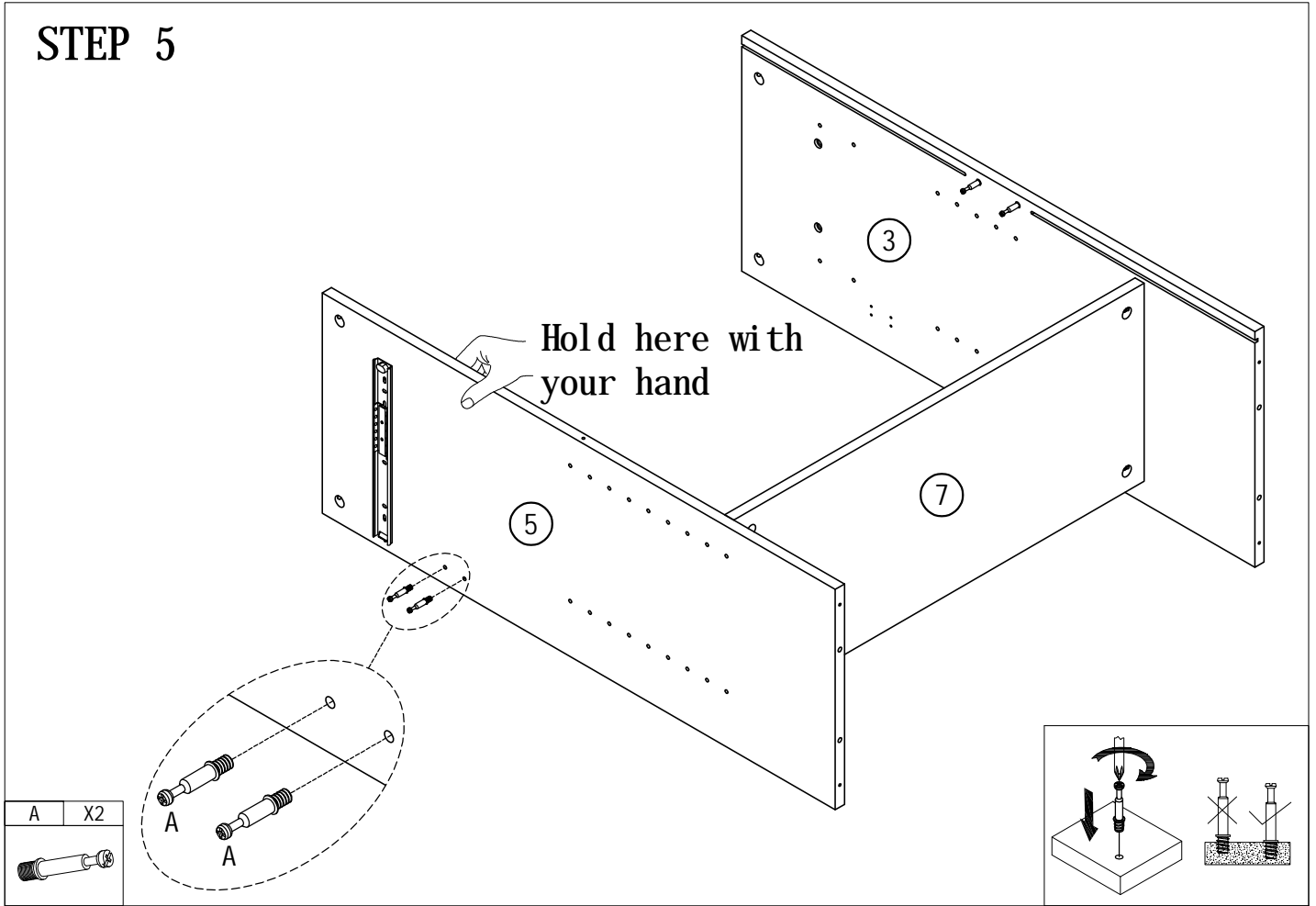


STEP 4

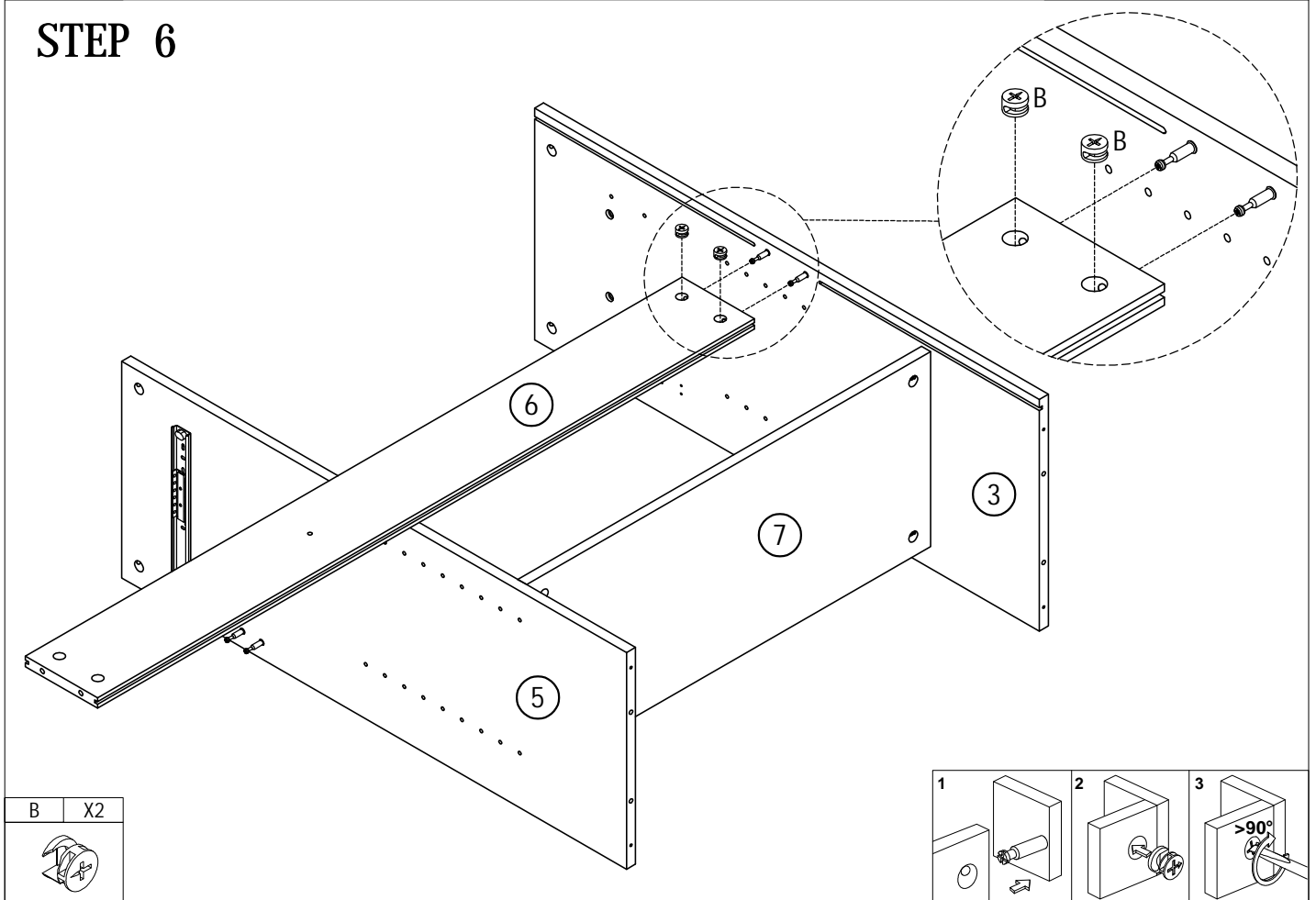


INSTALLATION

STEP 5

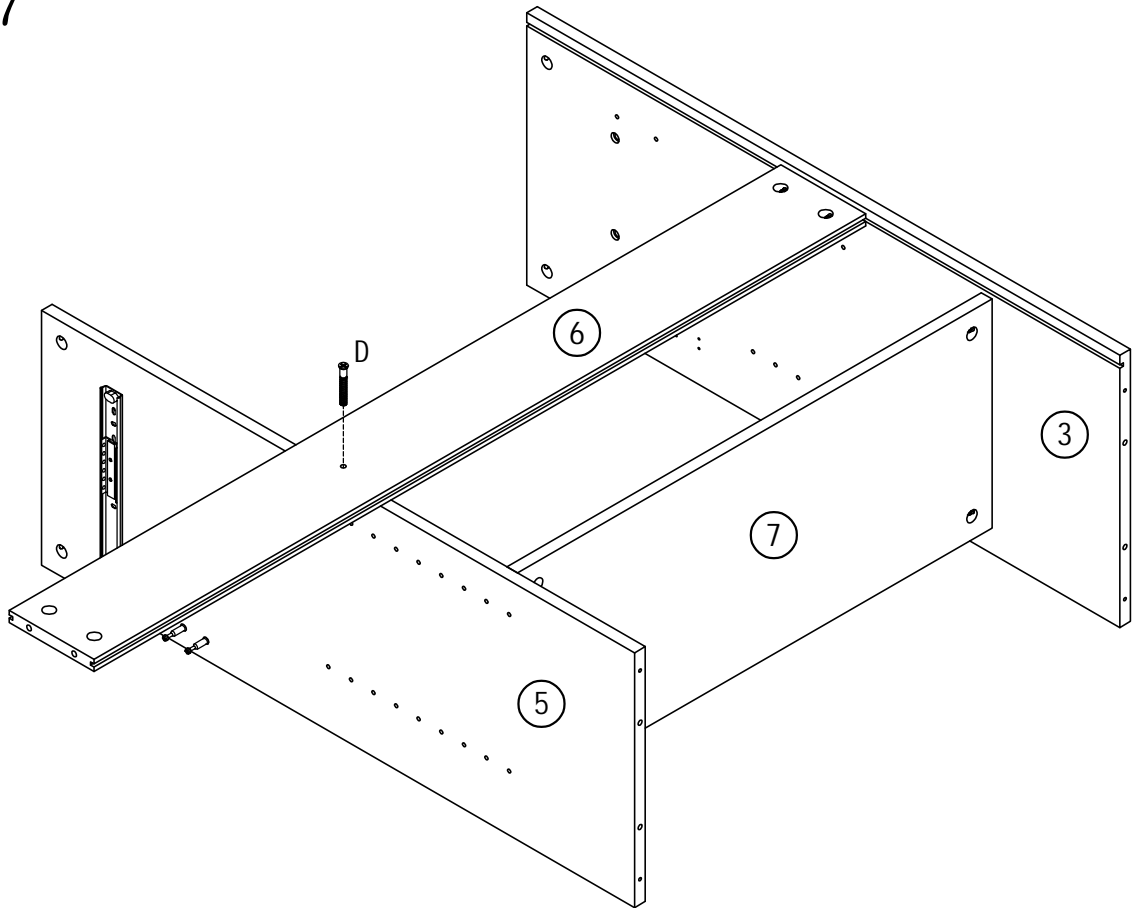


STEP 6



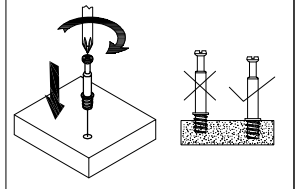
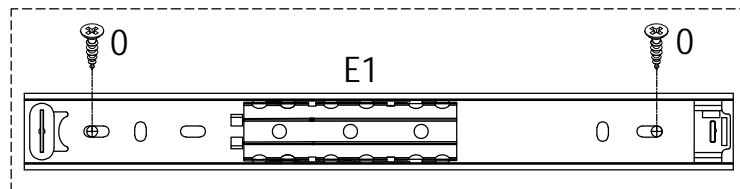
INSTALLATION

STEP 7



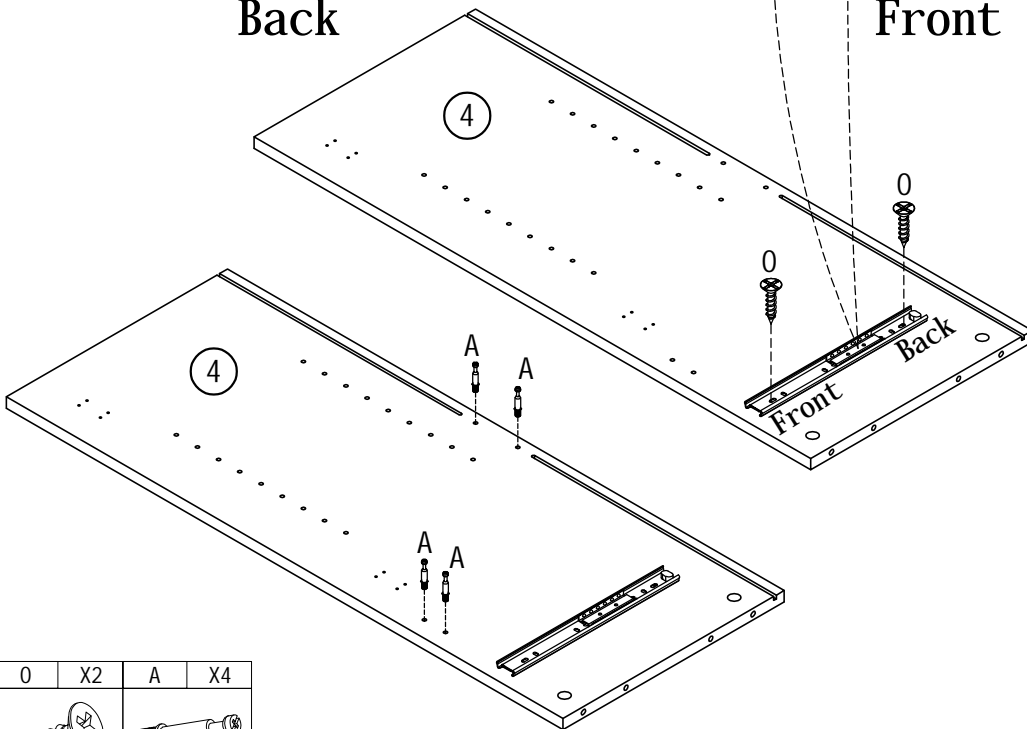
D	X1

STEP 8



Back

Front

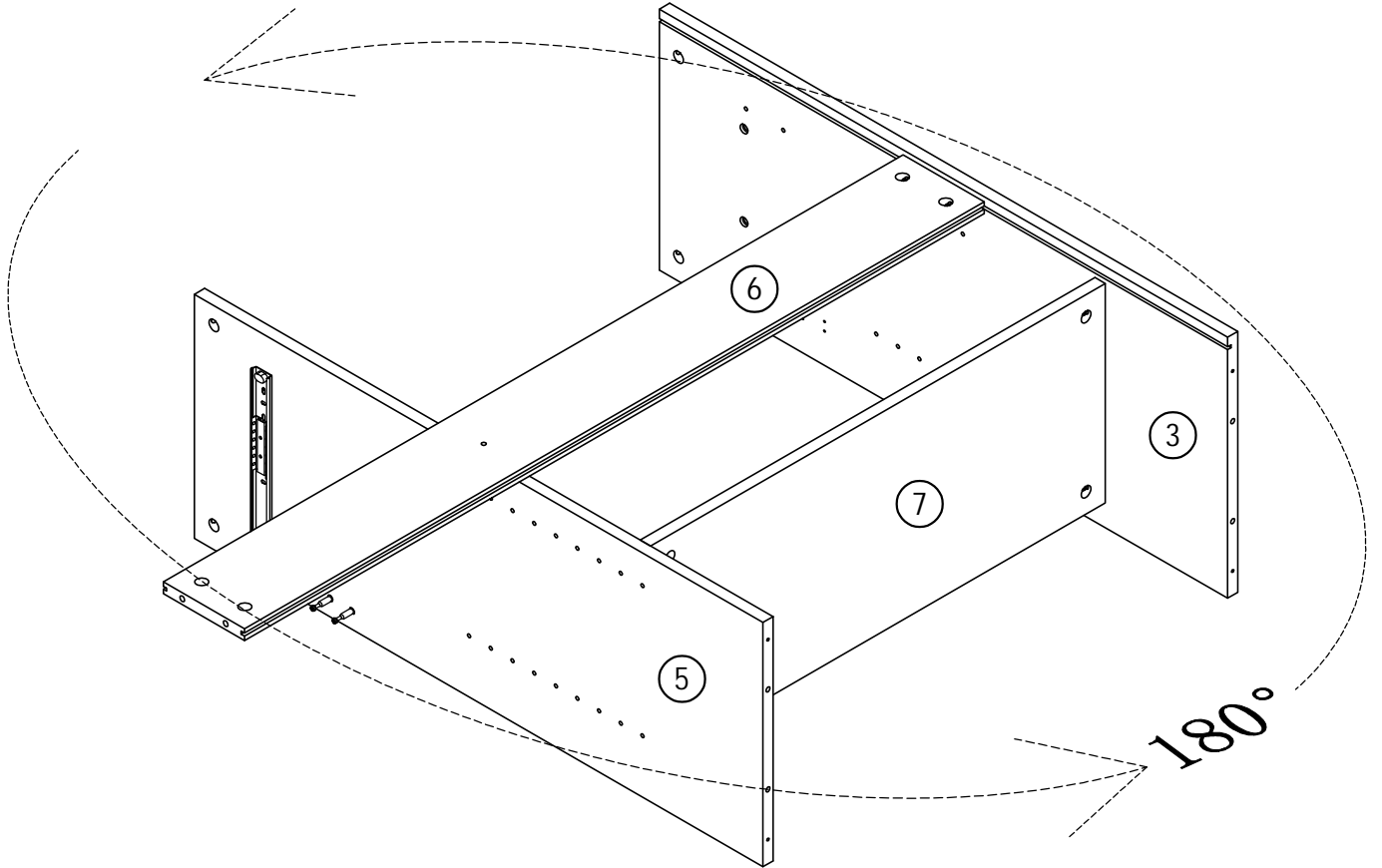


E1	X1	O	X2	A	X4

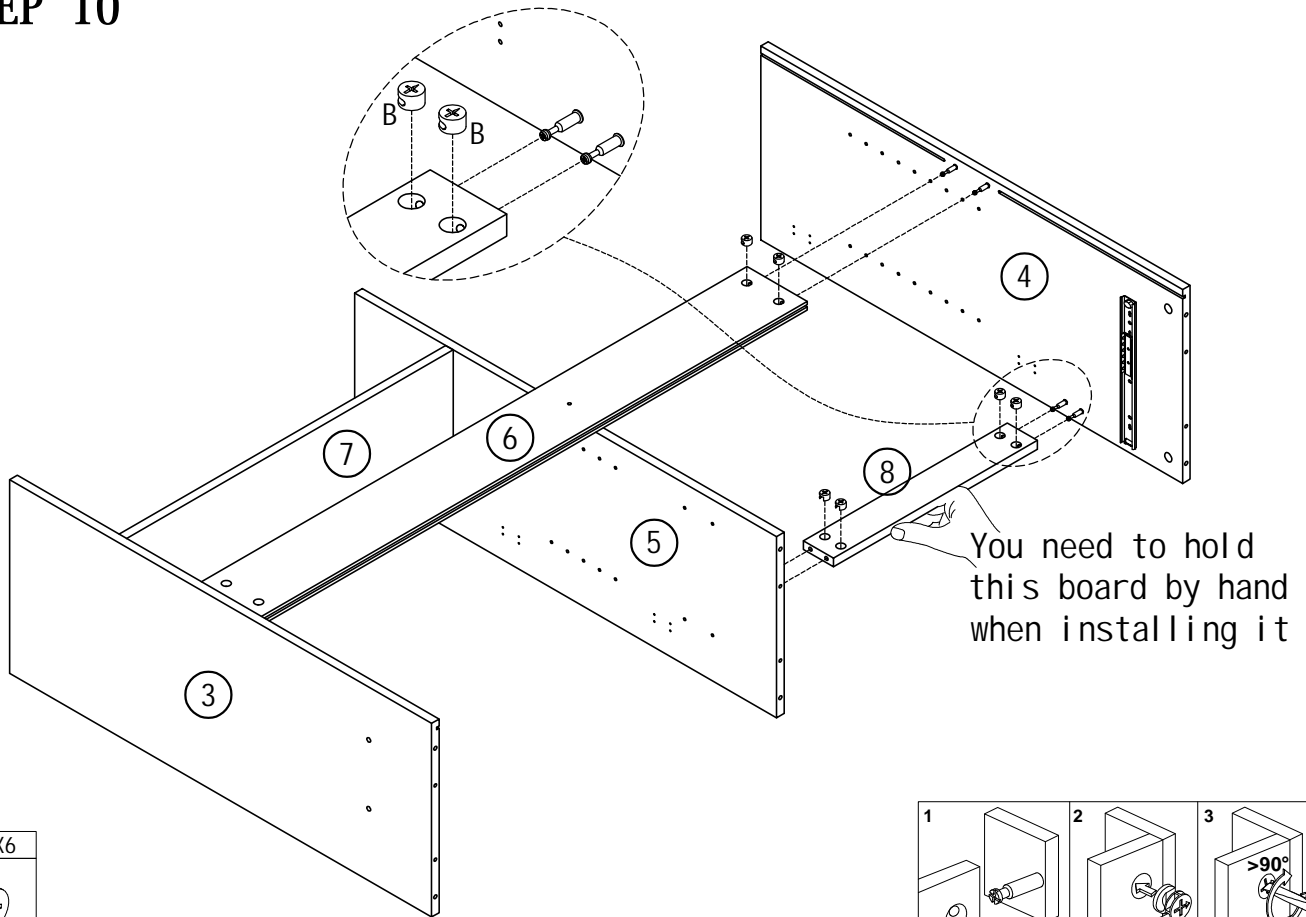
O		P	
	✓		✗
	φ3.5x12		φ3.5x14

INSTALLATION

STEP 9

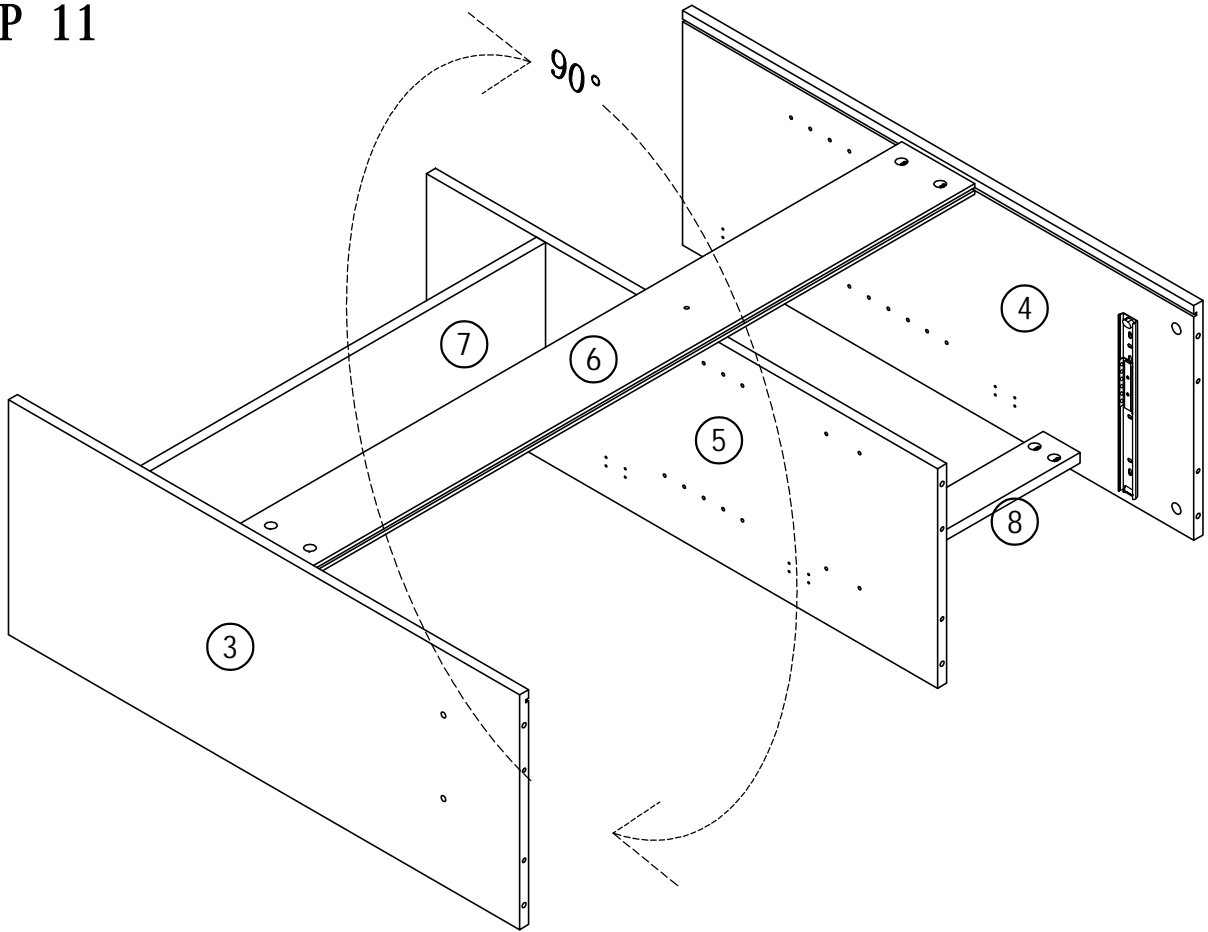


STEP 10

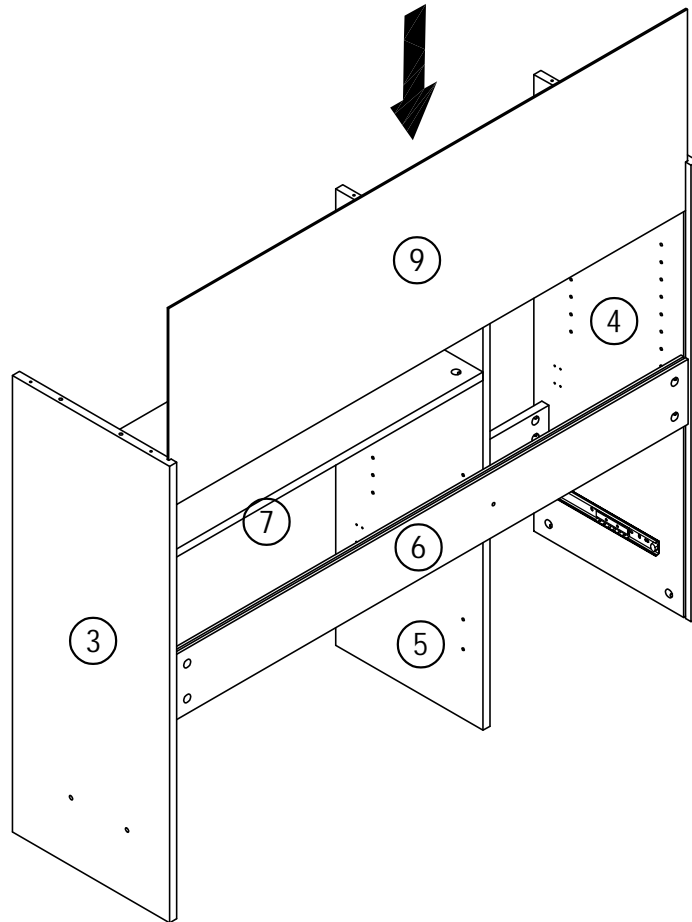


INSTALLATION

STEP 11

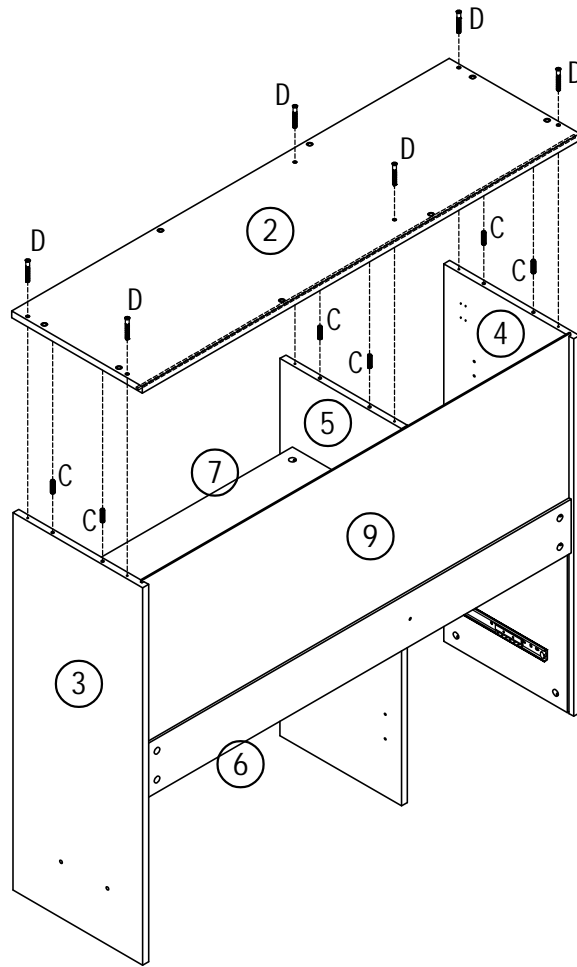


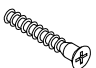

STEP 12



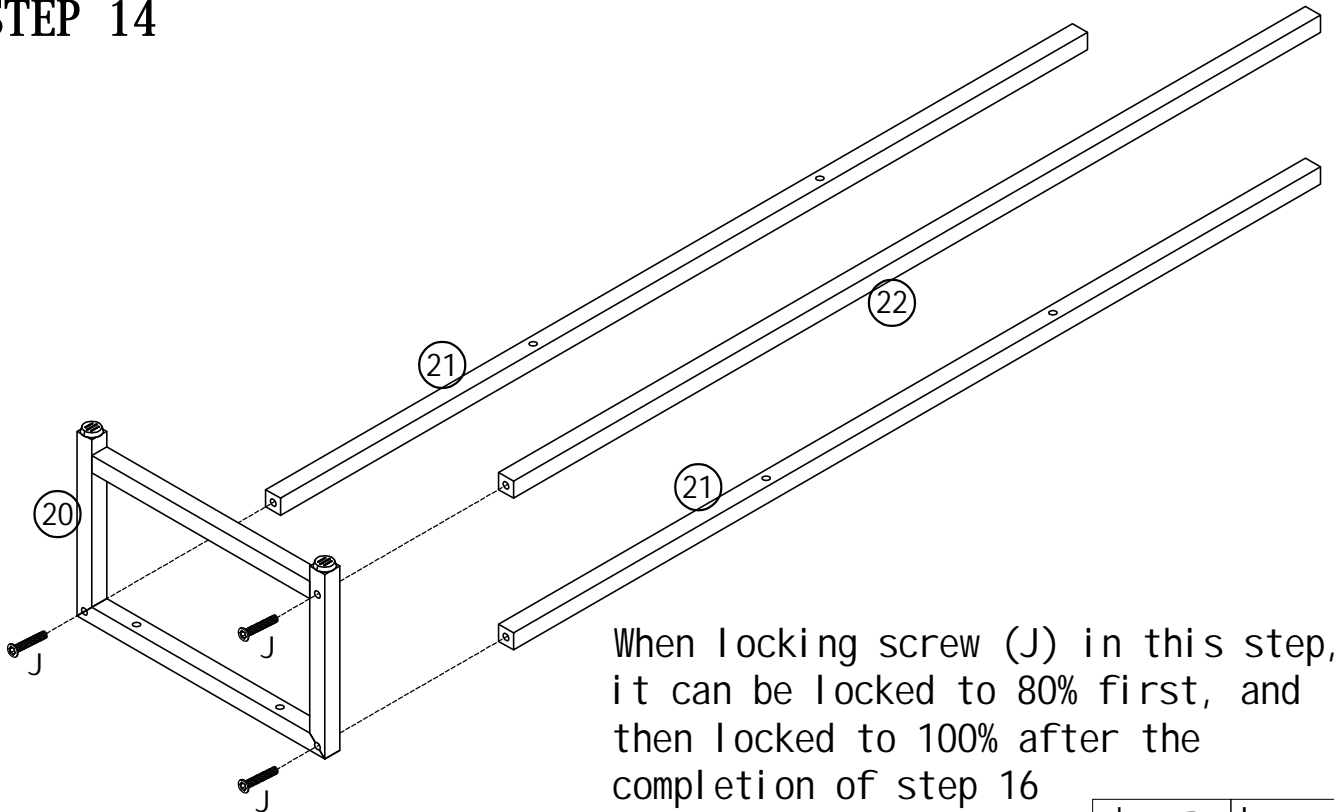
INSTALLATION

STEP 13

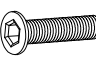



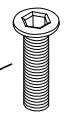

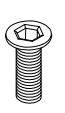
D	X6	C	X6
			

STEP 14



When locking screw (J) in this step, it can be locked to 80% first, and then locked to 100% after the completion of step 16

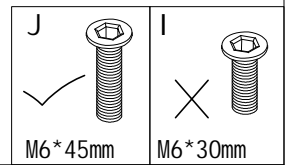
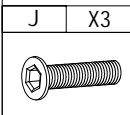
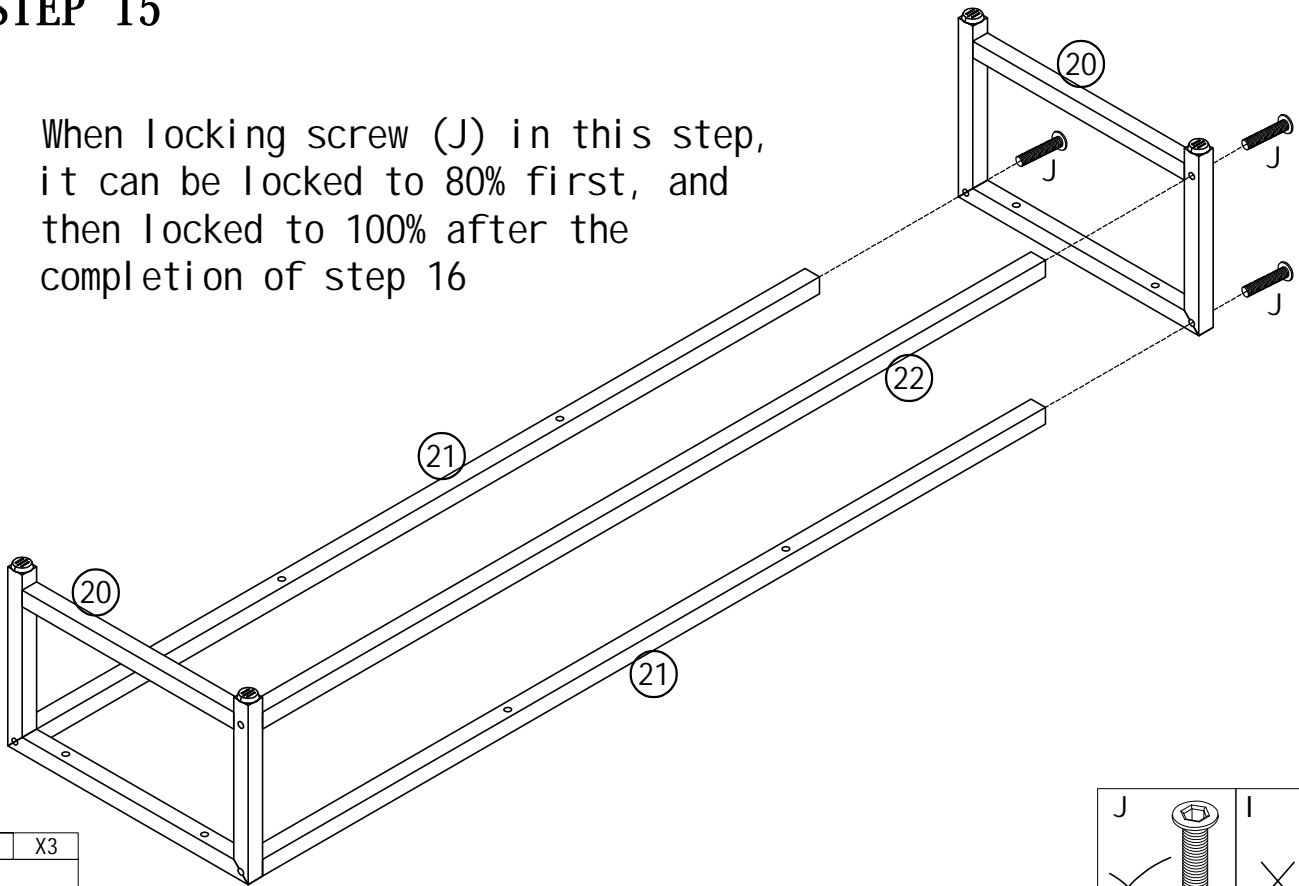
J	X3
	

J	I
 	 
M6*45mm	M6*30mm

INSTALLATION

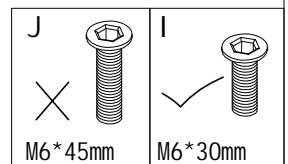
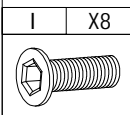
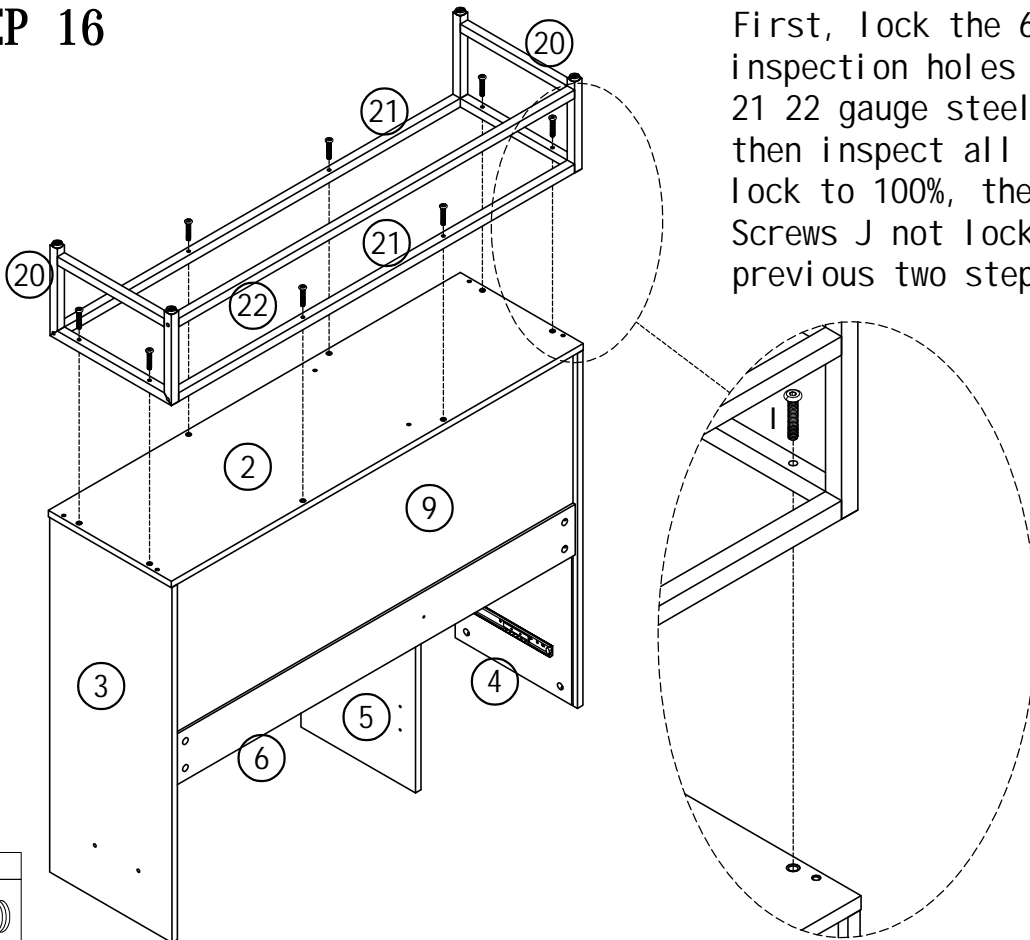
STEP 15

When locking screw (J) in this step, it can be locked to 80% first, and then locked to 100% after the completion of step 16



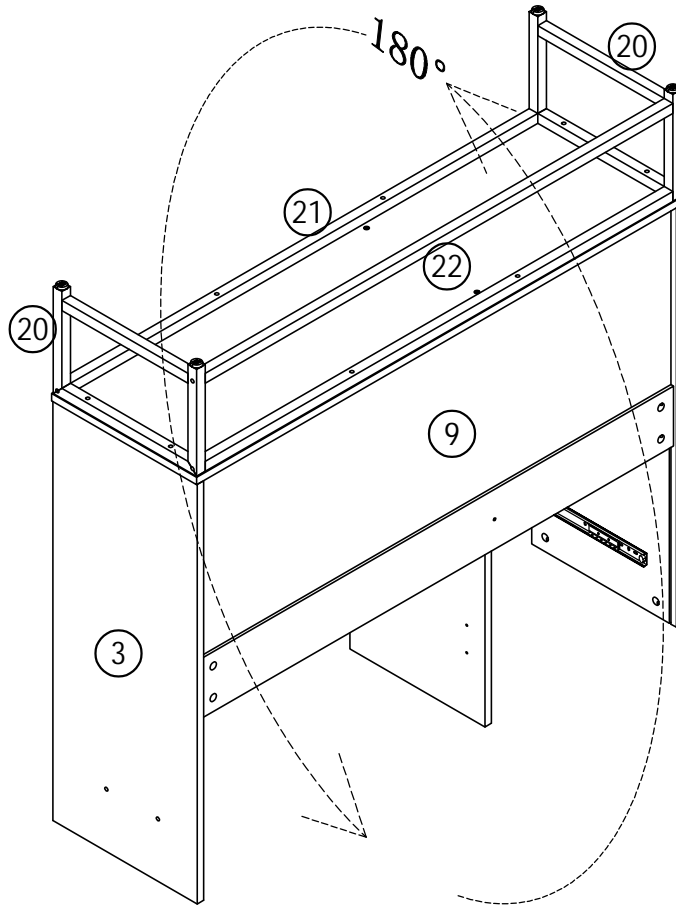
STEP 16

First, lock the 6 Screw J inspection holes connecting the 21 22 gauge steel tubing to 80%, then inspect all Screws I and lock to 100%, then lock the Screws J not locked in the previous two steps to 100%.

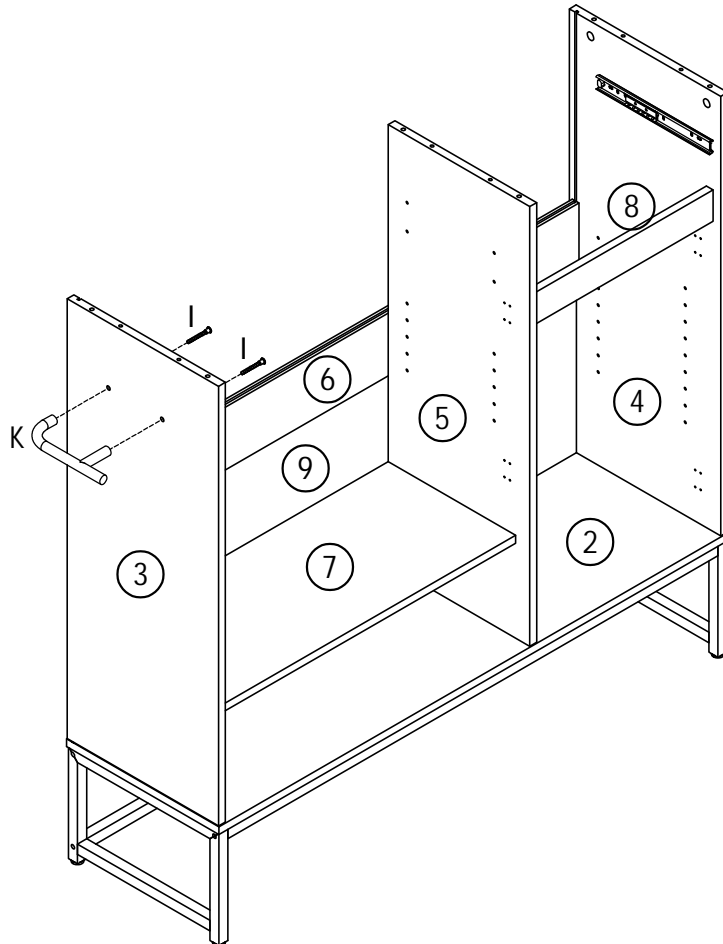


INSTALLATION

STEP 17



STEP 18

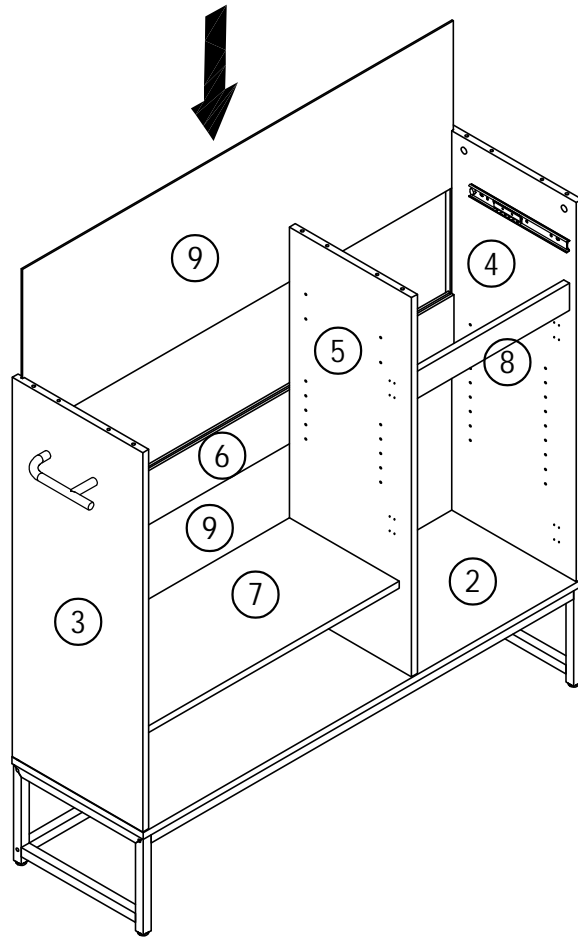


I	X2	K	X1

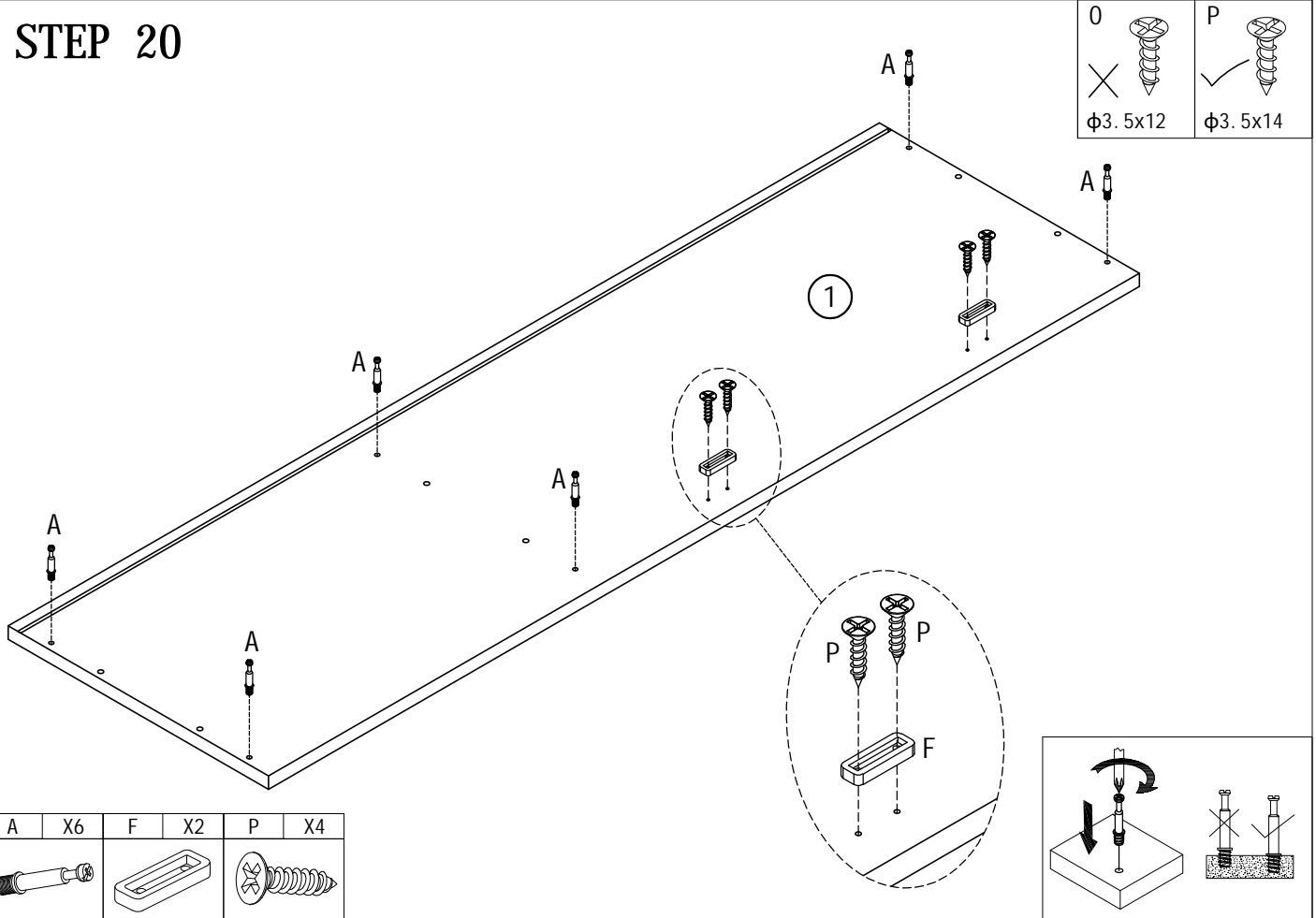
J		I	
	X		✓
	M6*45mm		M6*30mm

INSTALLATION

STEP 19



STEP 20

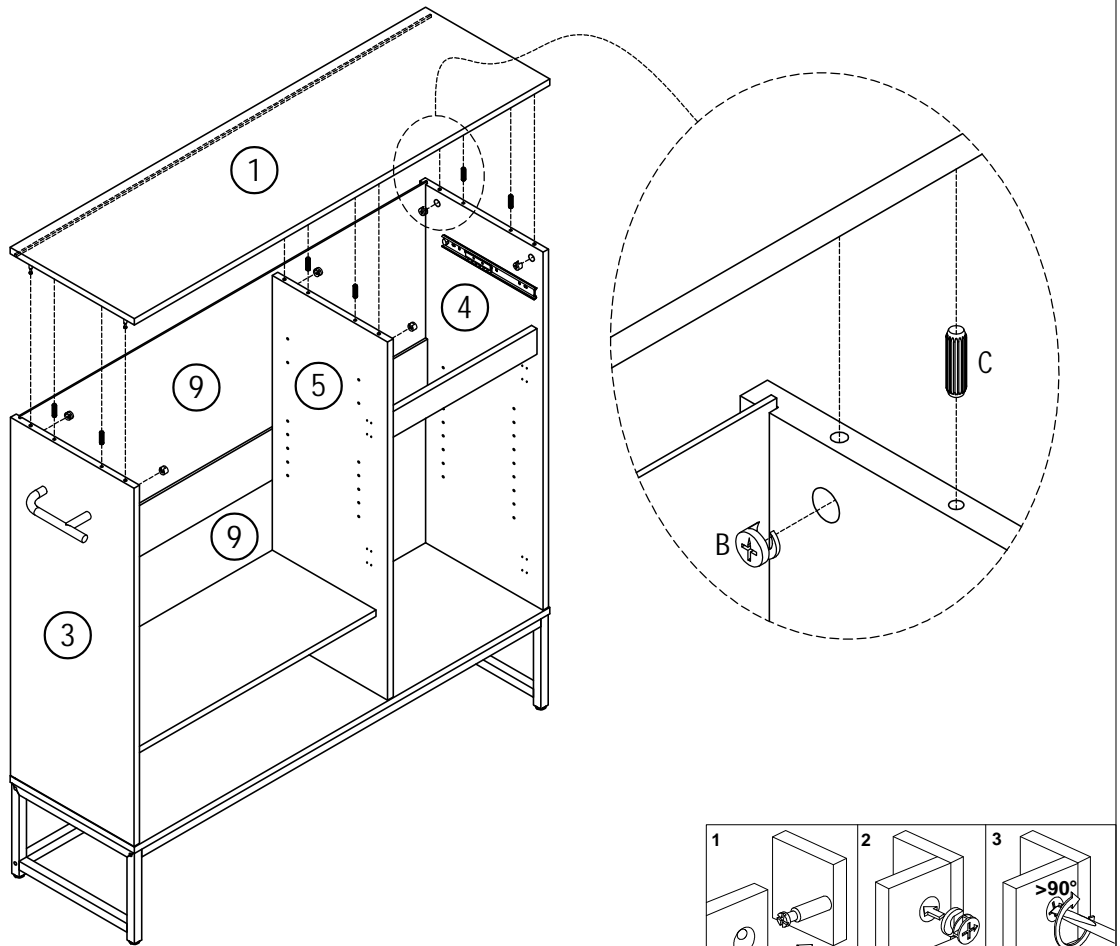


INSTALLATION

STEP 21

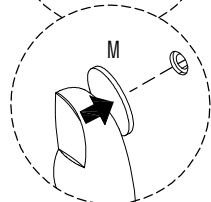
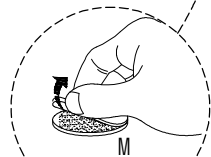


Be careful with your fingers

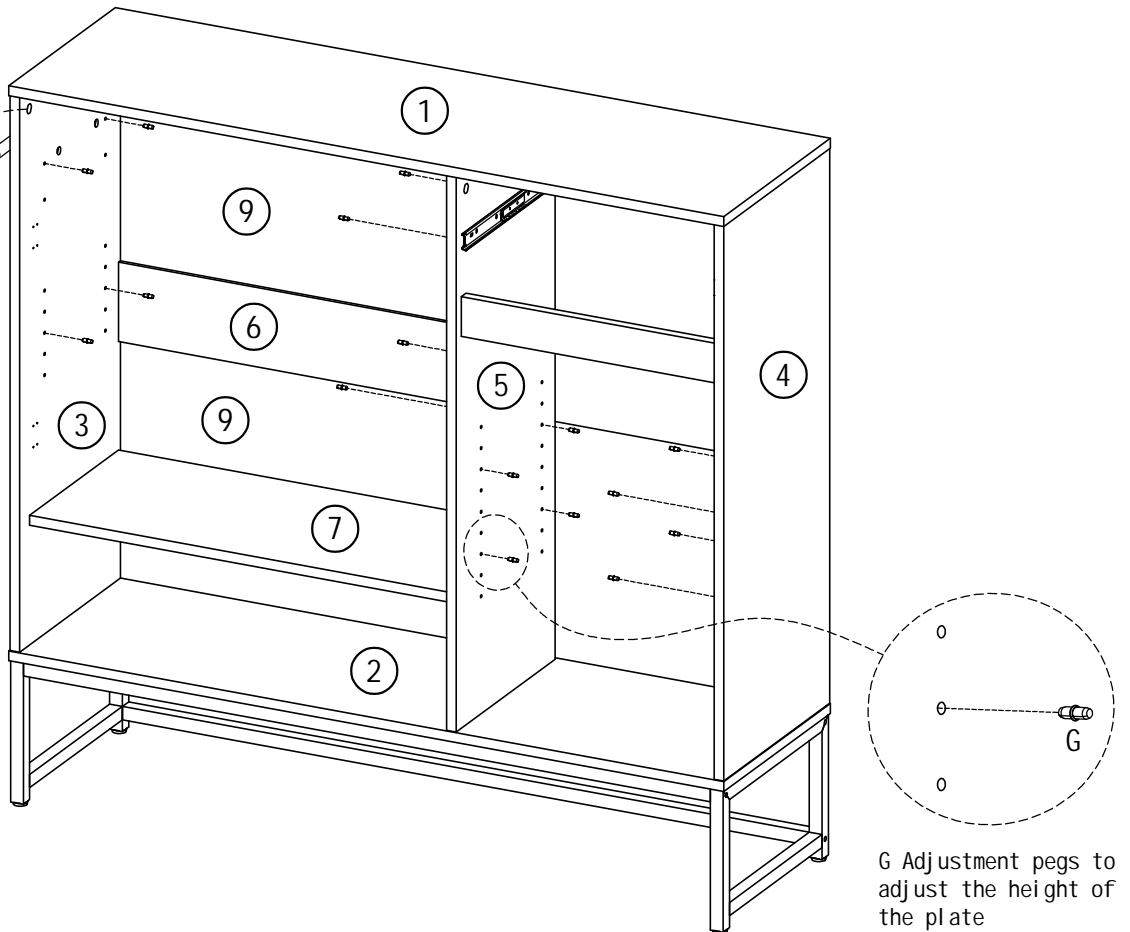


B	X6	C	X6

STEP 22



Cover the visible hole with a cap

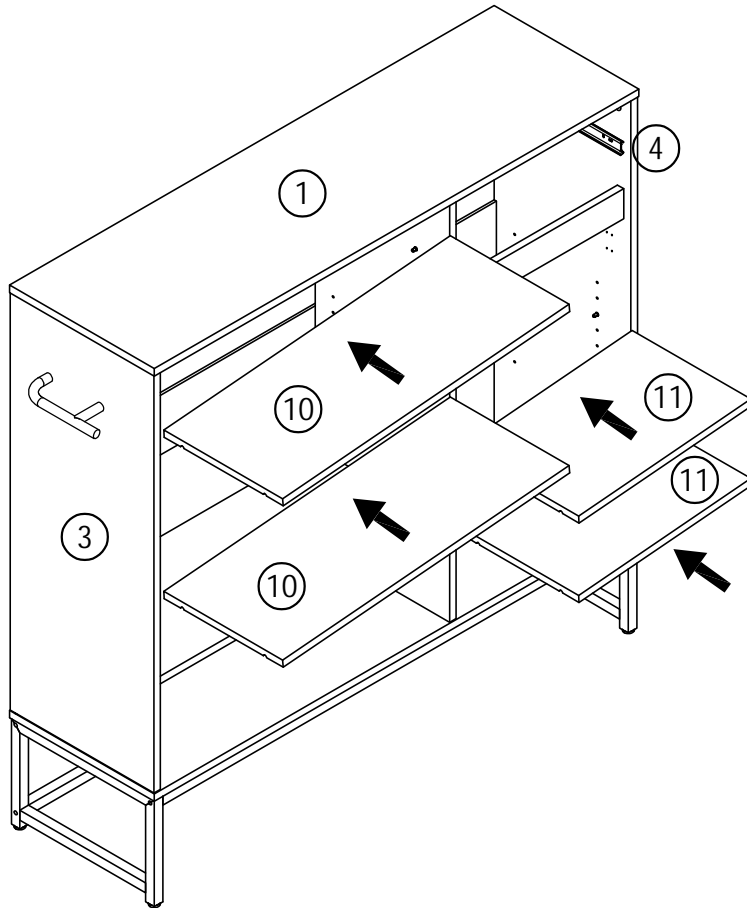


G	X16	M	X6

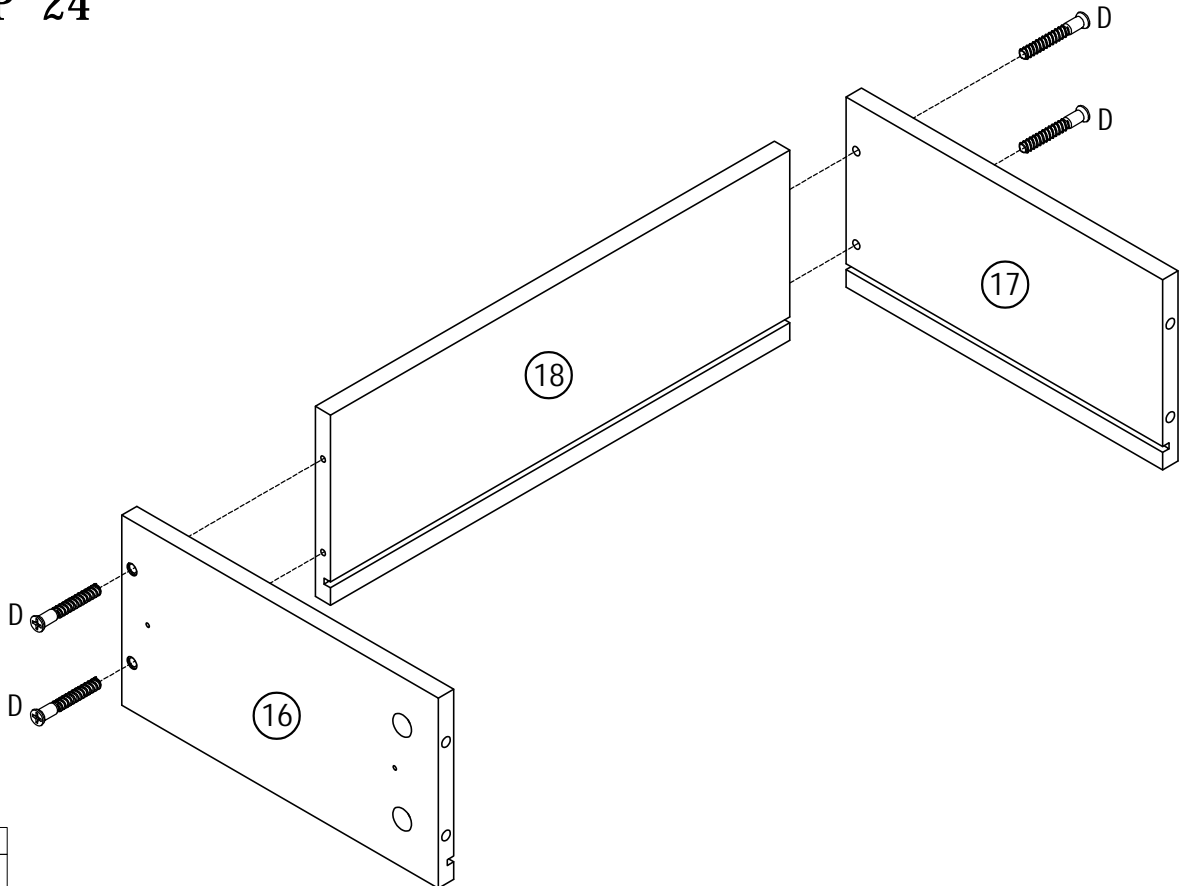
G Adjustment pegs to adjust the height of the plate

INSTALLATION

STEP 23



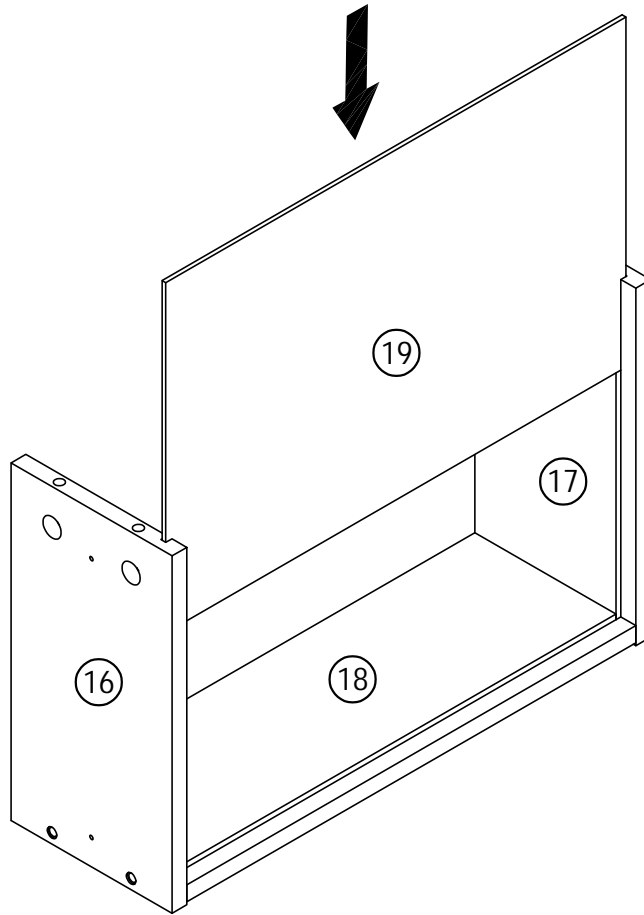
STEP 24



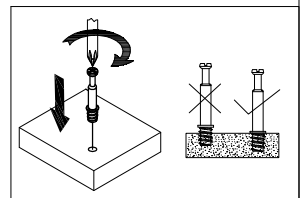
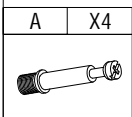
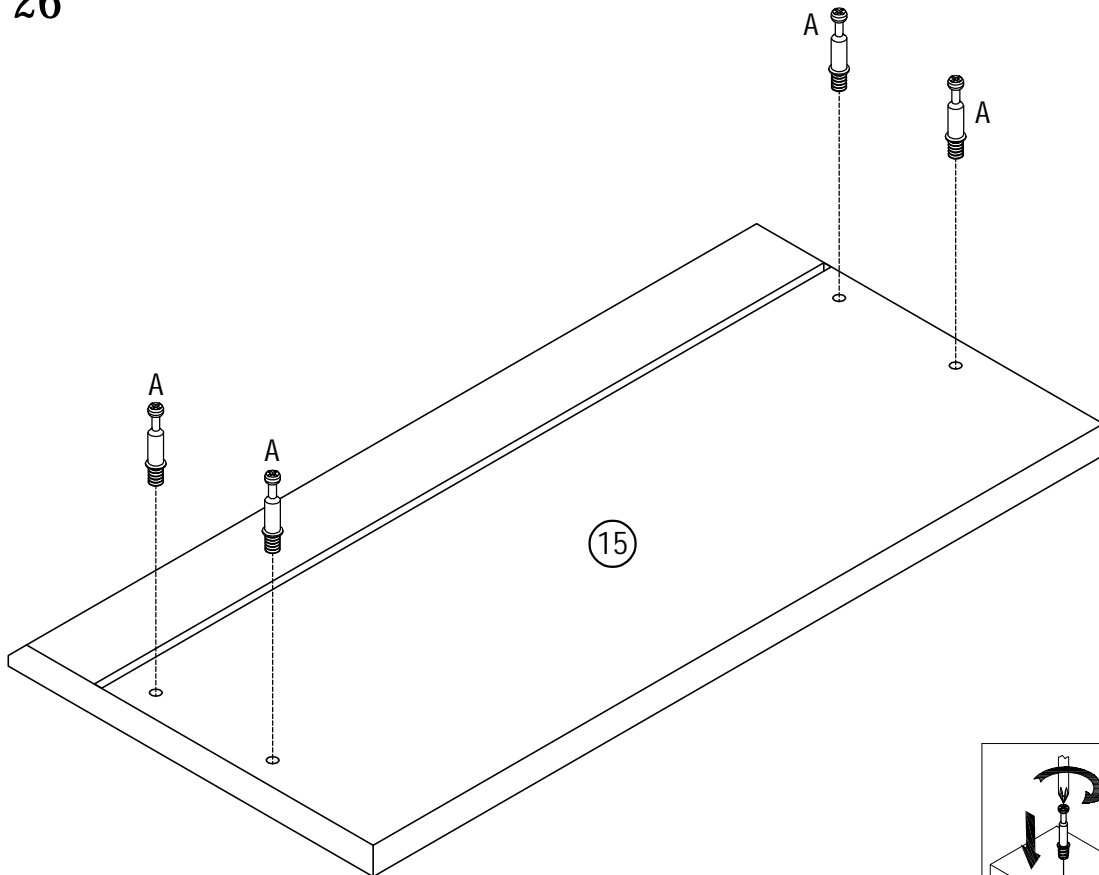
D	X4

INSTALLATION

STEP 25



STEP 26

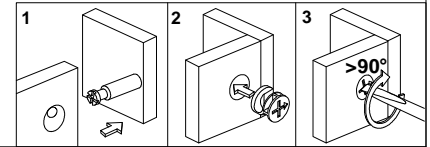
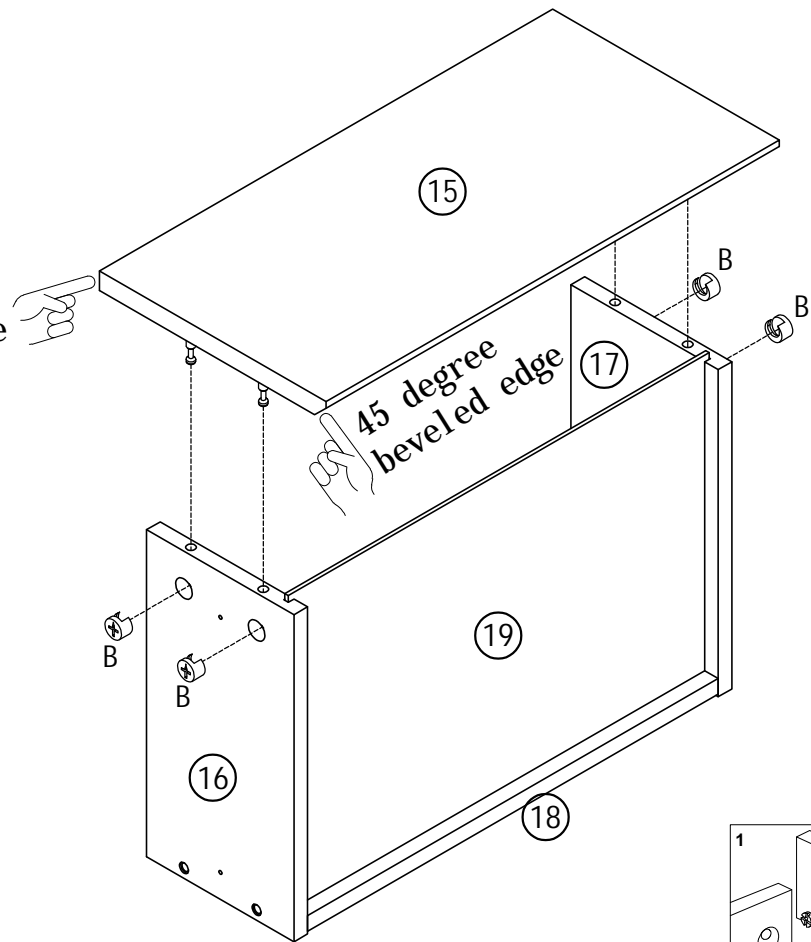


INSTALLATION

STEP 27

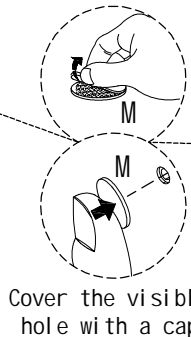
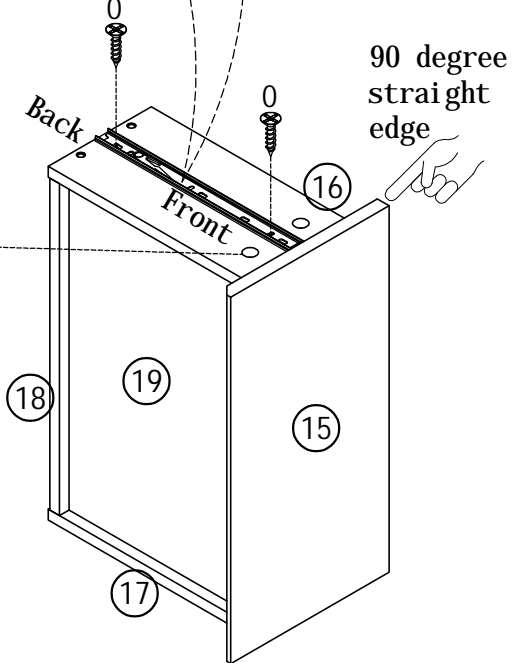
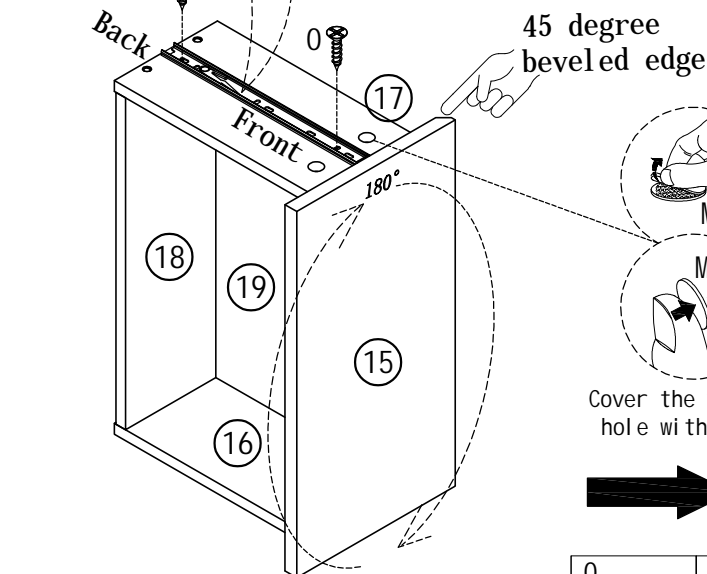
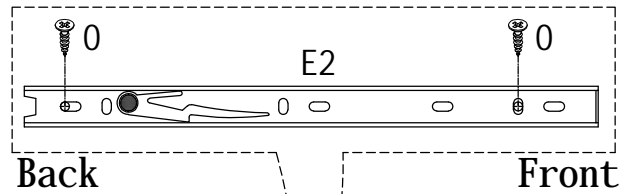
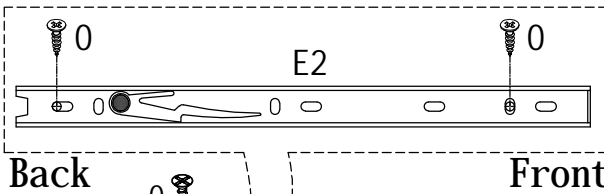
90 degree straight edge

45 degree beveled edge



B	X4

STEP 28

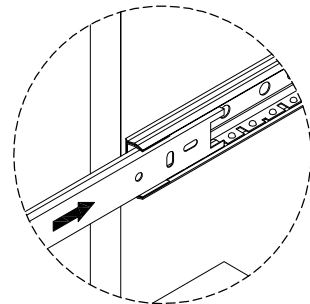
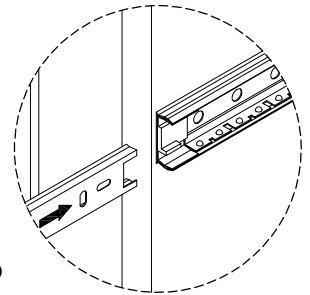
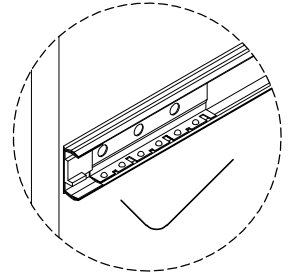
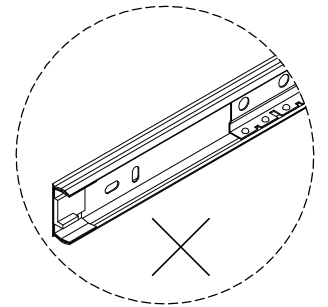
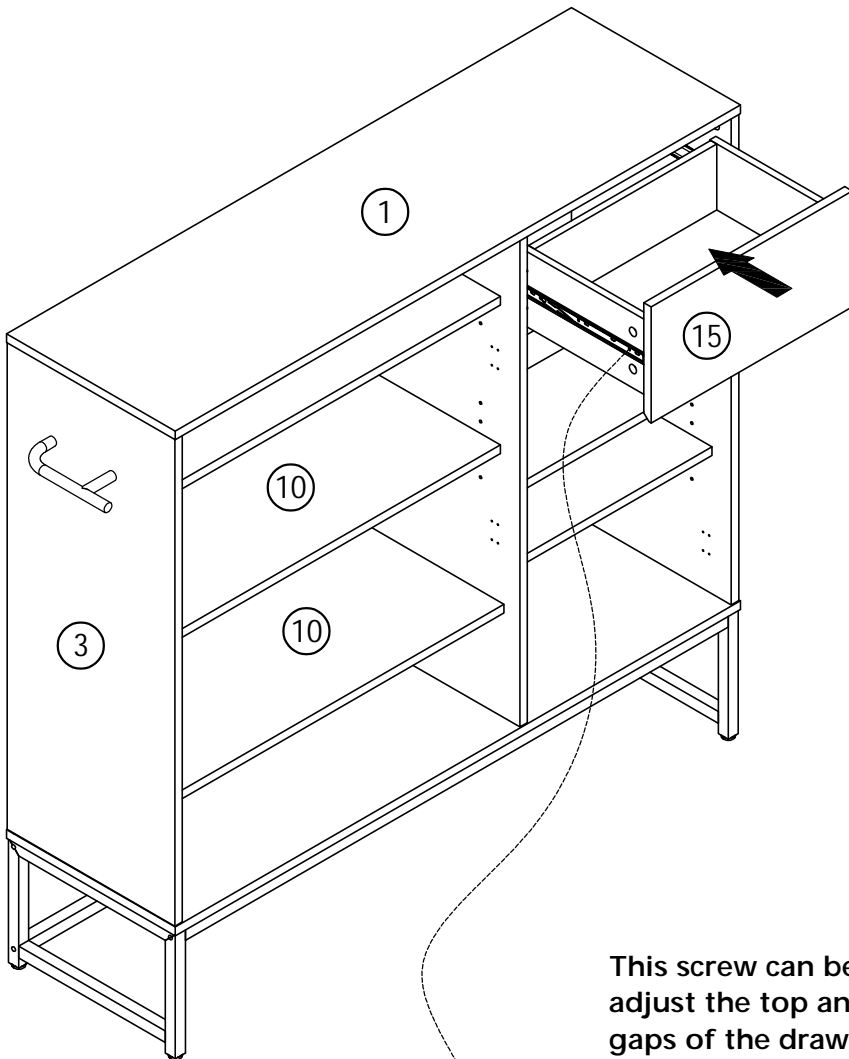


E2	X2	0	X4	M	X4

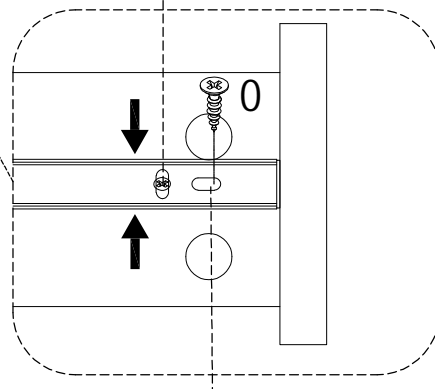
0	P
$\phi 3.5 \times 12$	$\phi 3.5 \times 14$

INSTALLATION

STEP 29




This screw can be loosened to adjust the top and bottom gaps of the drawer





Lock screw (O) after adjusting the upper and lower gaps

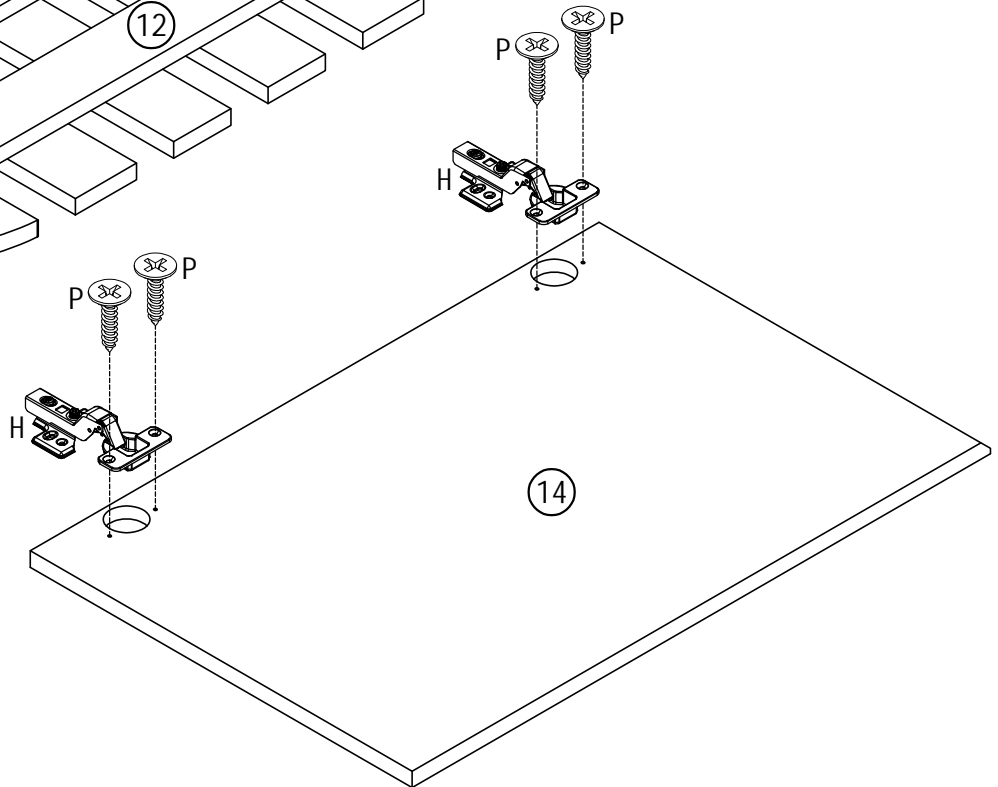
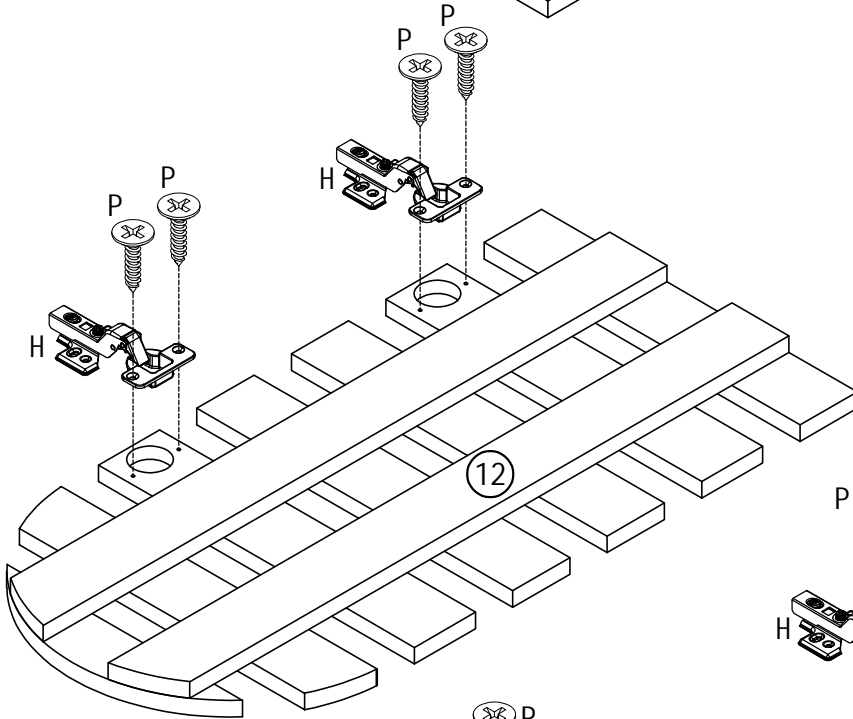
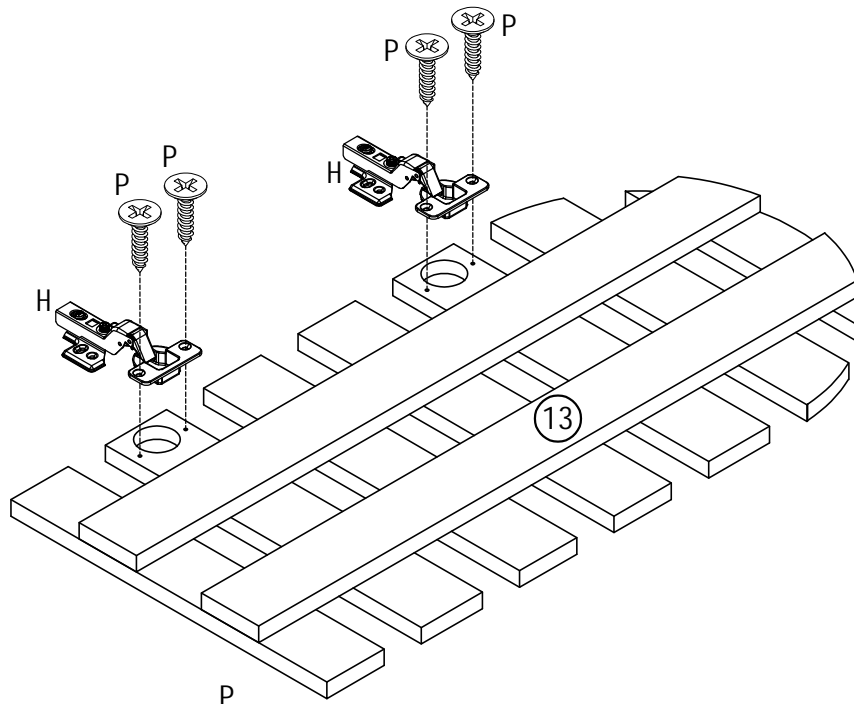
0	X2
---	----





INSTALLATION

STEP 30

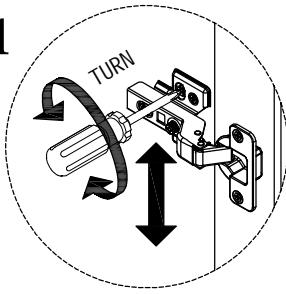
0		P	
	φ3.5x12		φ3.5x14



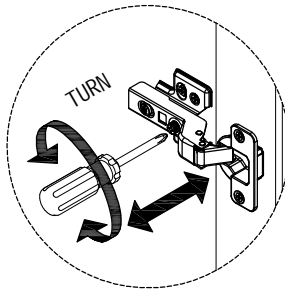
H	X3	P	X12
			

INSTALLATION

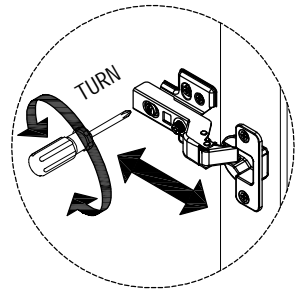
STEP 31



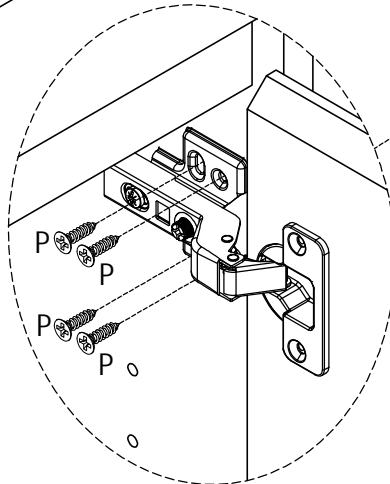
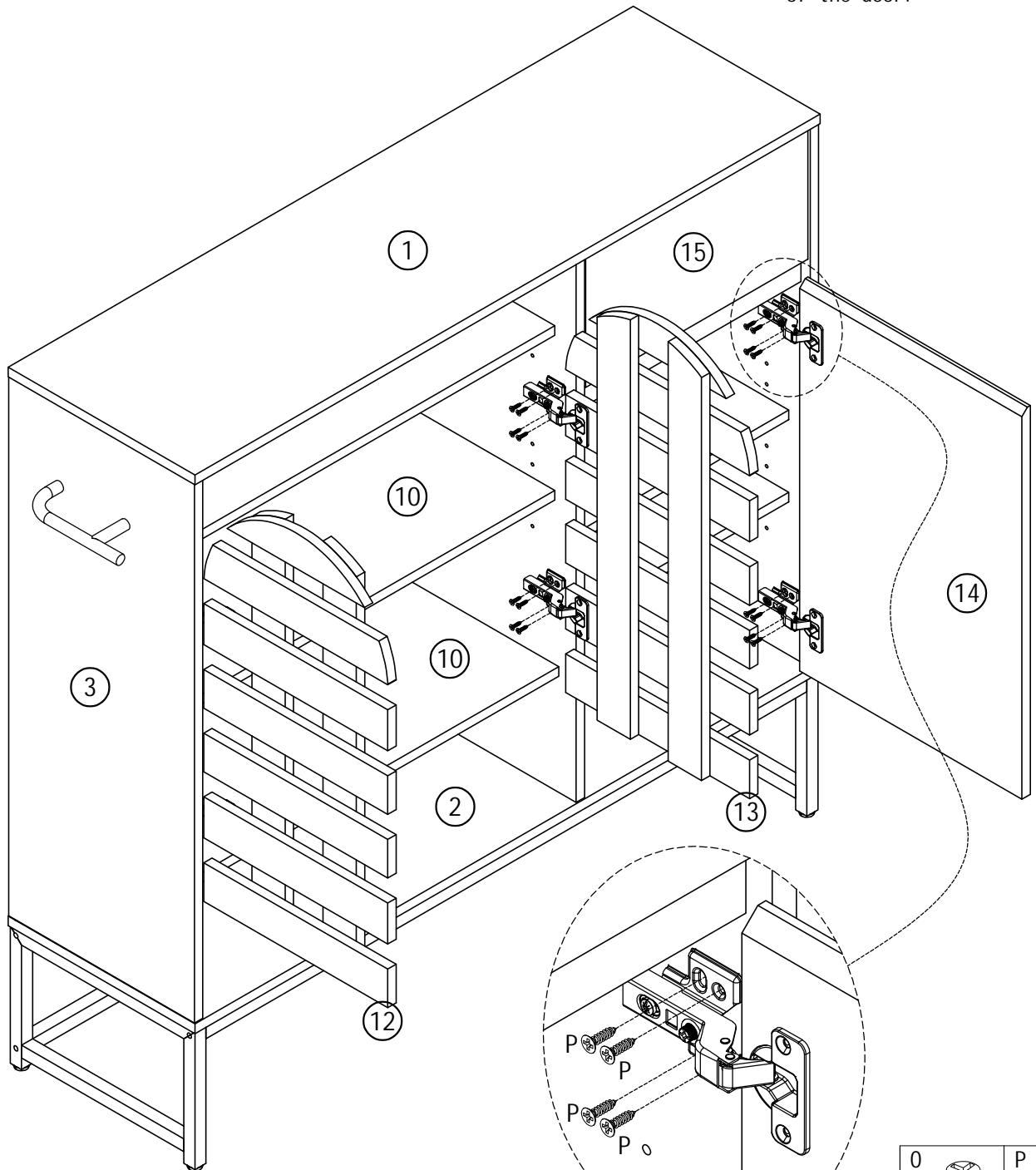
Loosen this screw and push up/down for a slight up-down adjustment of the door.



Loosen this screw for a slight left-right adjustment of the door.



Loosen this screw and push forward/backward for a slight front-back adjustment of the door.

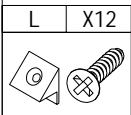
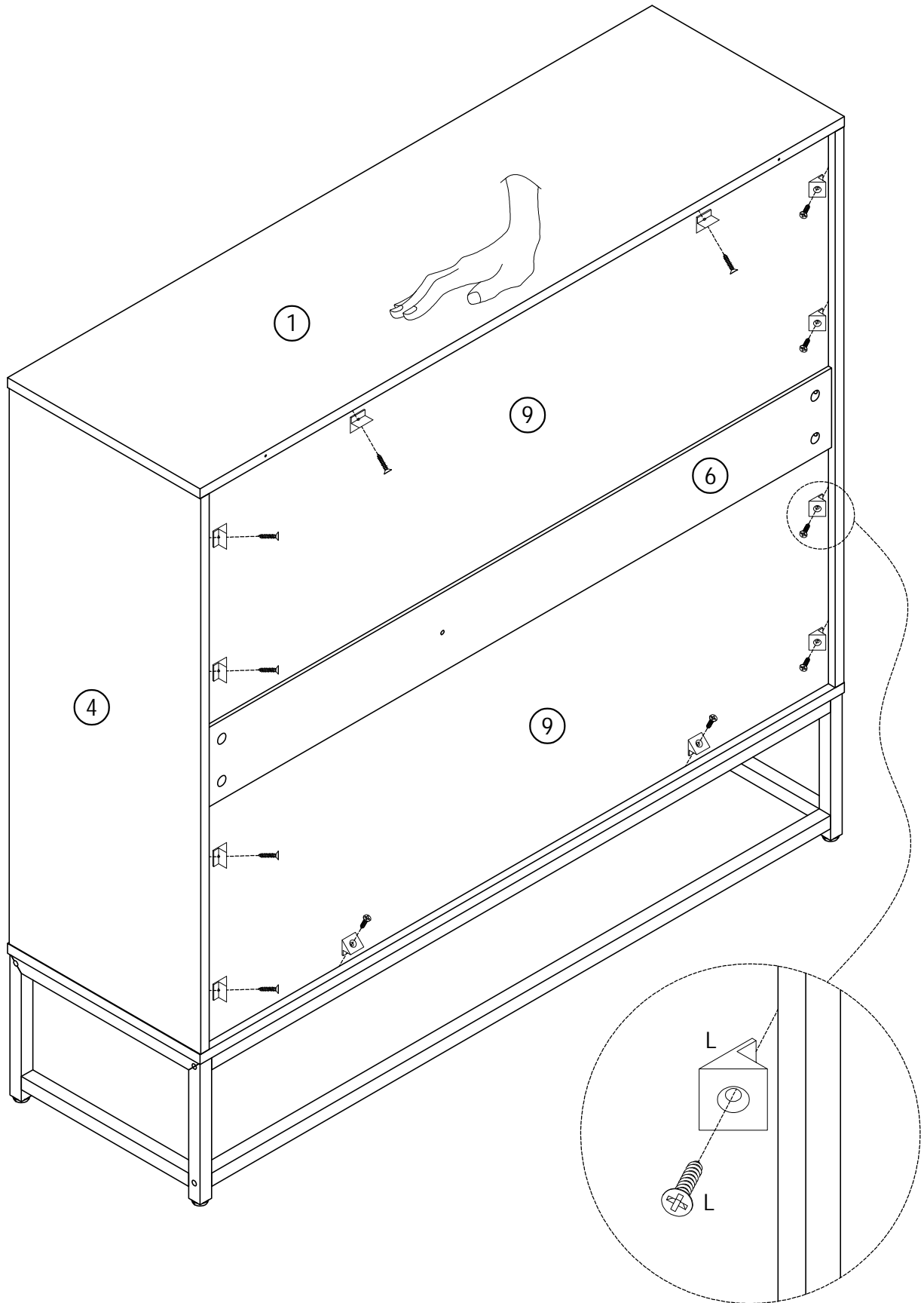


P	X24

O	 X	P	 ✓
	φ3.5x12		φ3.5x14

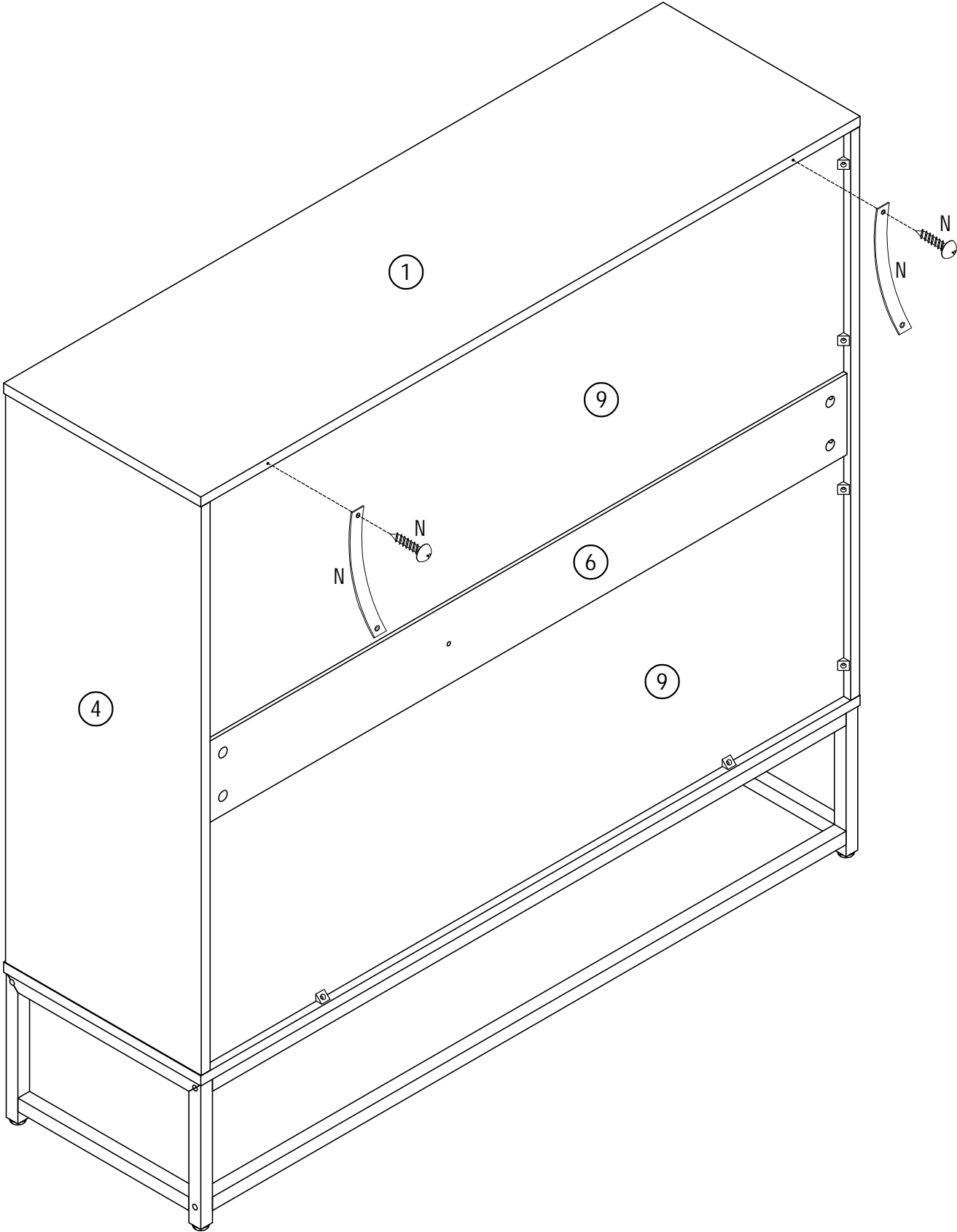
INSTALLATION

STEP 32



INSTALLATION

STEP 33



N	X2

INSTALLATION

STEP 34

The cabinet must be permanently fixed to the wall
Equipped with an anti-tipping device to prevent
cabinet don't tip over

Mark the position of the drill on the wall with a
pencil.

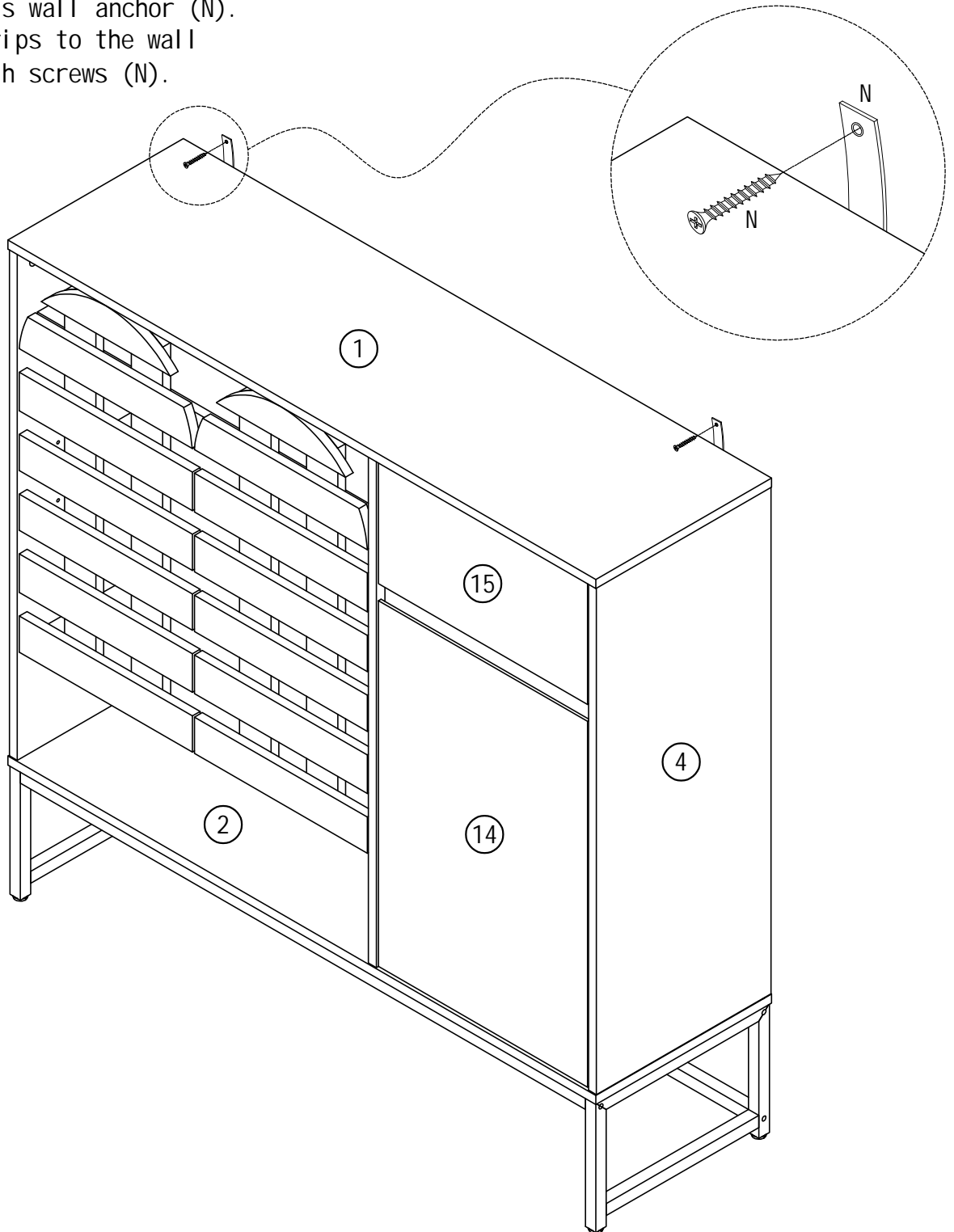
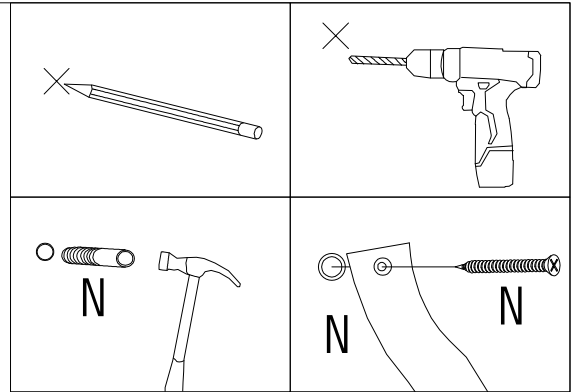
Drill holes at the marked locations with a drill
bit.

Insert the wall anchor (H) gently into the hole

Knock in this wall anchor (N).

Lock the strips to the wall

Equipped with screws (N).



N	X2