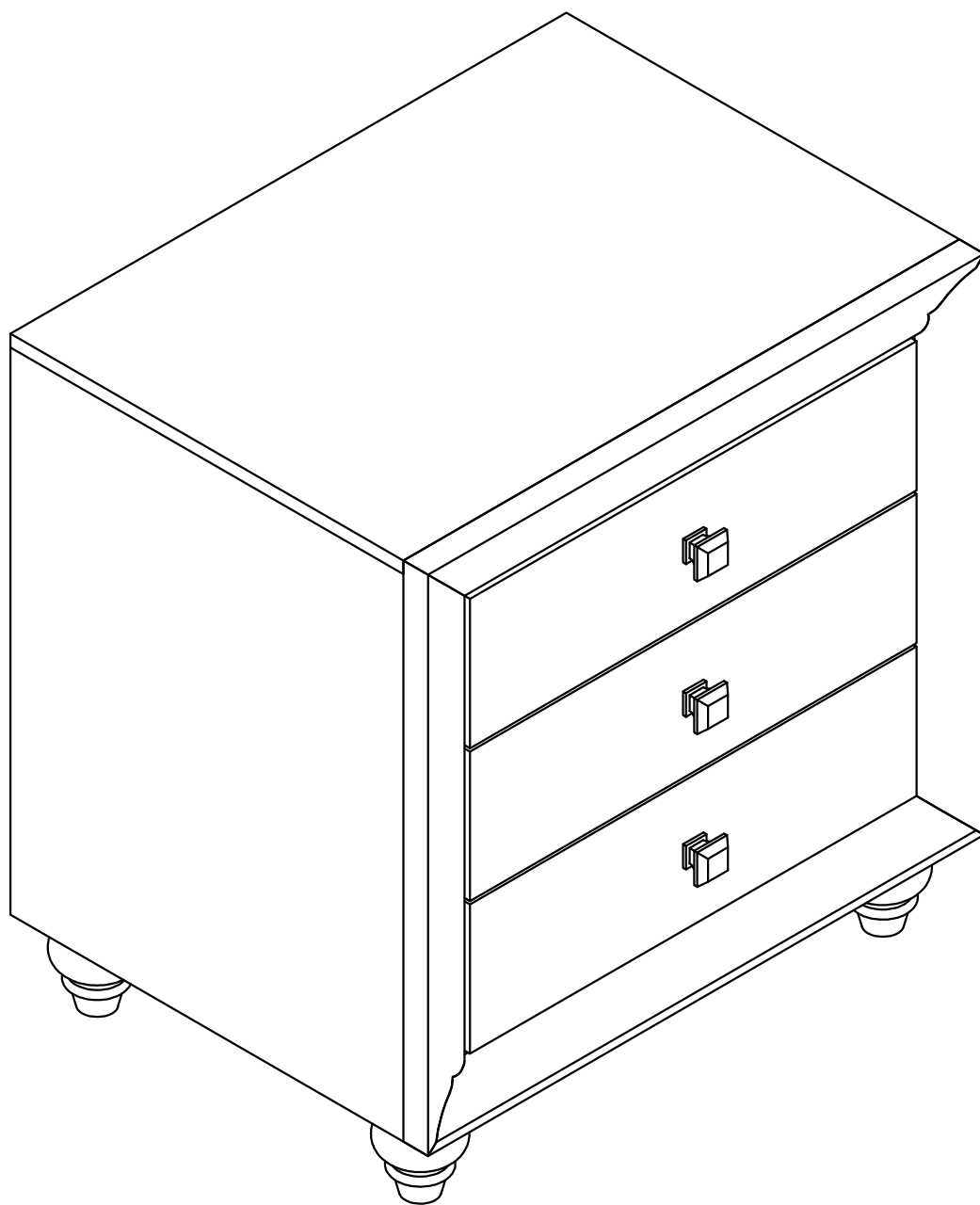


ASSEMBLY INSTRUCTION

INSTRUCTIONS DE MONTAGE

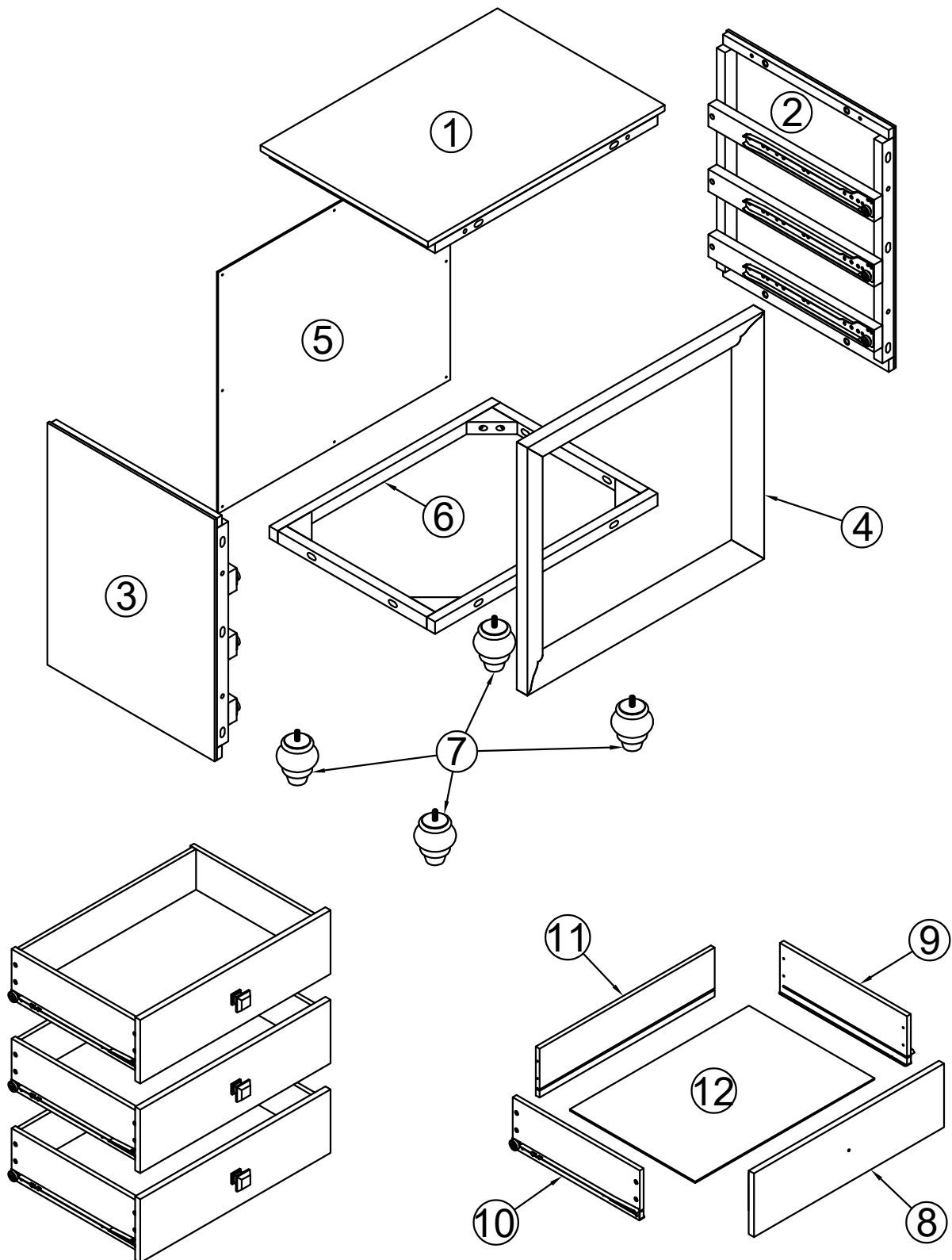
NIGHT STAND / LA TABLE DE NUIT



ASSEMBLY INSTRUCTION

INSTRUCTIONS DE MONTAGE

NIGHT STAND / LA TABLE DE NUIT



ASSEMBLY INSTRUCTION

INSTRUCTIONS DE MONTAGE

NIGHT STAND / LA TABLE DE NUIT

ASSEMBLY INSTRUCTION

Important – Please read these instructions fully before starting assembly

- Check you have all the components and tools listed on the following pages.
- Remove all fittings from the plastic bags and separate them into their groups.
- Keep children and animals away from the work area, small parts could choke if swallowed.
- Make sure you have enough space to layout the parts before starting.

- During assembly do not stand or put weight on the product, this could cause damage.
- Assemble the item as close to its final position (in the same room) as possible.
- Assemble on a soft level surface to avoid damaging the unit or your floor.
- Parts of the assembly will be easier with 2 people.



power drill is set on a low torque setting.

- To reduce the likelihood of damaging your product please ensure that your

Care and maintenance

- Only clean using a damp cloth and mild detergent, do not use bleach or abrasive cleaners.

- From time to time check that there are no loose screws on this unit.

- This product should not be discarded with household waste. Take to your local authority waste disposal centre.

Handy Hints

- Assemble all parts and bolts loosely during assembly, only once the product is complete should you fully tighten the bolts

- Regularly check and ensure That all bolts and fittings are tightend properly.

WARNING

In order to help prevent overturning – please follow these instructions

To help prevent product toppling over please follow the below steps:-

- Use the anti tip stap or wall fixing method provided (if applicable)
- Do not allow children to climb or hang on the furniture
- Do not open more than one drawer at a time
- Do not place heavy items in the top drawers
- Do not place heavy items on top of the furniture, unless the furniture has been designed for this purpose

Please note that only the anti tip strap is provided.
You will need to provide wall plugs and screws applicable for your wall type



Tools required

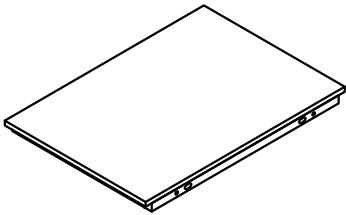
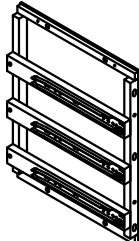
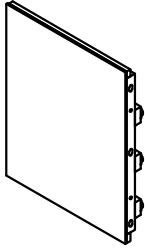
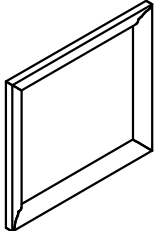
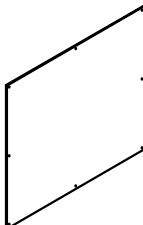
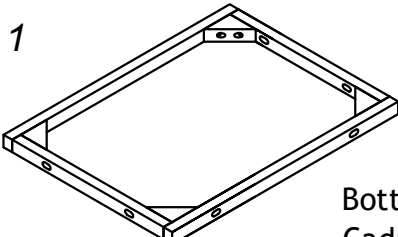
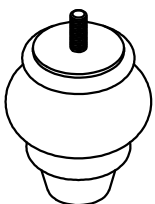
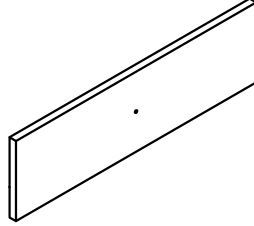
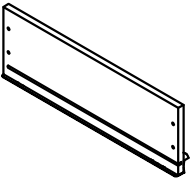
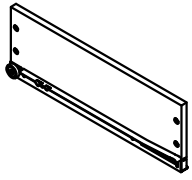
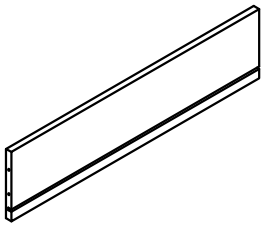
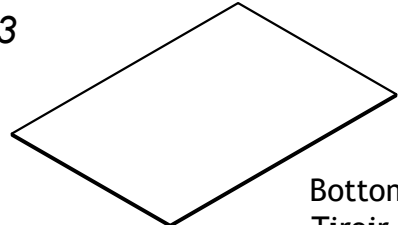


Phillips screwdriver
(medium & large)



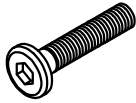

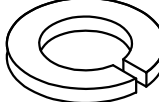
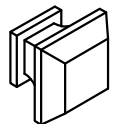


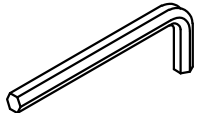
Ruler - Use this ruler to help correctly identify the screws



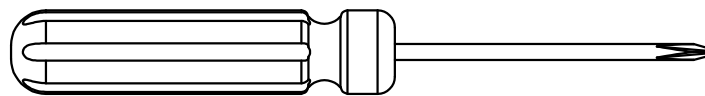
PART LIST / LISTES DE PIÈCES

<p>① x 1</p>  <p>Top panels / Panneaux supérieurs</p>	<p>② x 1</p>  <p>Cabinet side - right / Côté de l'armoire - droit</p>
<p>③ x 1</p>  <p>Cabinet side - left / Côté de l'armoire - gauche</p>	<p>④ x 1</p>  <p>Front frame / Cadre avant</p>
<p>⑤ x 1</p>  <p>Back panels / Panneaux arrière</p>	<p>⑥ x 1</p>  <p>Bottom frame / Cadre inférieur</p>
<p>⑦ x 4</p>  <p>Legs / Jambes</p>	<p>⑧ x 3</p>  <p>Front drawer / Tiroir avant</p>
<p>⑨ x 3</p>  <p>Right side drawer / Tiroir latéral droit</p>	<p>⑩ x 3</p>  <p>Left side drawer / Tiroir latéral gauche</p>
<p>⑪ x 3</p>  <p>Back drawer / Tiroir arrière</p>	<p>⑫ x 3</p>  <p>Bottom drawer / Tiroir du bas</p>

HARDWARE LIST / LISTE DU MATÉRIEL

<p>A</p>  <p>M4x20mm Wood Screw 24pcs / Vis à bois 24 pièces</p>	<p>B</p>  <p>M4x15mm Round head screw 8pcs / Vis tête ronde 8 pièces</p>	<p>C</p>  <p>M6 x 35 mm Bolt 18pcs / Boulon 18 pièces</p>
<p>D</p>  <p>Ø16 mm Flat whaser 18pcs / Rondelle plate 18 pièces</p>	<p>E</p>  <p>Ø10 mm Spring whaser 18pcs / Rondelle de blocage 18 pièces</p>	<p>F</p>  <p>Handle 3pcs / Poignée 3 pièces</p>
<p>G</p>  <p>M4 x 20 mm Bolt 3pcs / Boulon 3 pièces</p>	<p>H</p>  <p>Ø8 x 25 mm Wood dowel 10pcs / Cheville en bois 10 pièces</p>	<p>I</p>  <p>Allen key 1pcs / Clé Allen 1 pièces</p>

ASSEMBLY TOOLS REQUIRED (NOT INCLUDED)
OUTILS D'ASSEMBLAGE REQUIS (NON INCLUS)




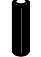



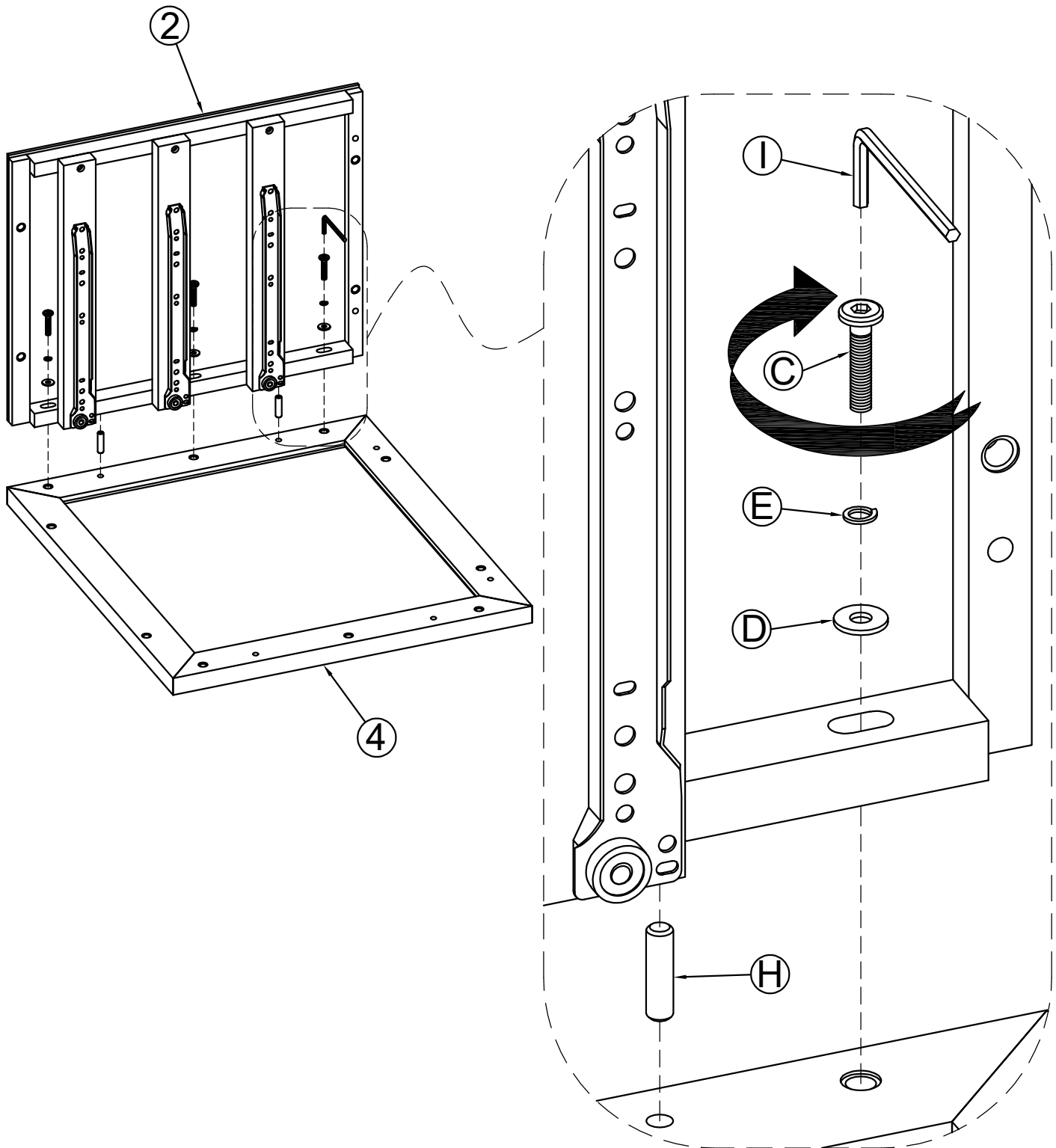
STEP 1: Following below illustration

-Using hardware #C,#E,#D, #H connect 2 with 4

ÉTAPE 1: Ci-dessous l'illustration






-En utilisant le matériel #C,#E,#D, #H, connectez 2 avec 4

C		3	E		3
D		3	H		2
			I		1



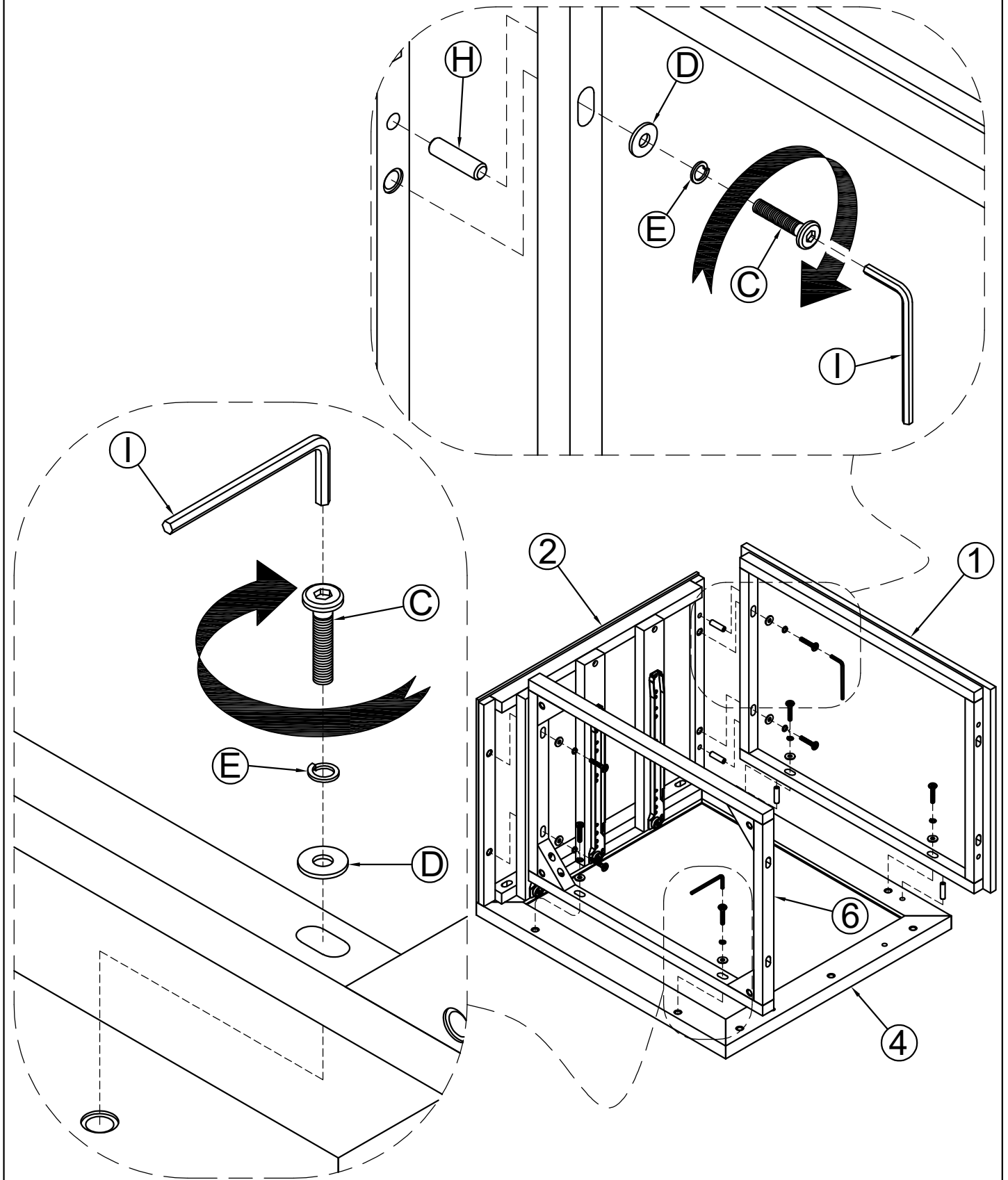
STEP 2: Following below illustration

- Using hardware #C,#E,#D connect 6 with 2,4
- Using hardware #C,#E,#D,#H connect 1 with 2,4

C		8	E		8
D		8	H		4
			I		1






ÉTAPE 2: Ci-dessous l'illustration

- En utilisant le matériel #C,#E,#D, connectez 6 avec 2,4
- En utilisant le matériel #C,#E,#D,#H, connectez 1 avec 2,4



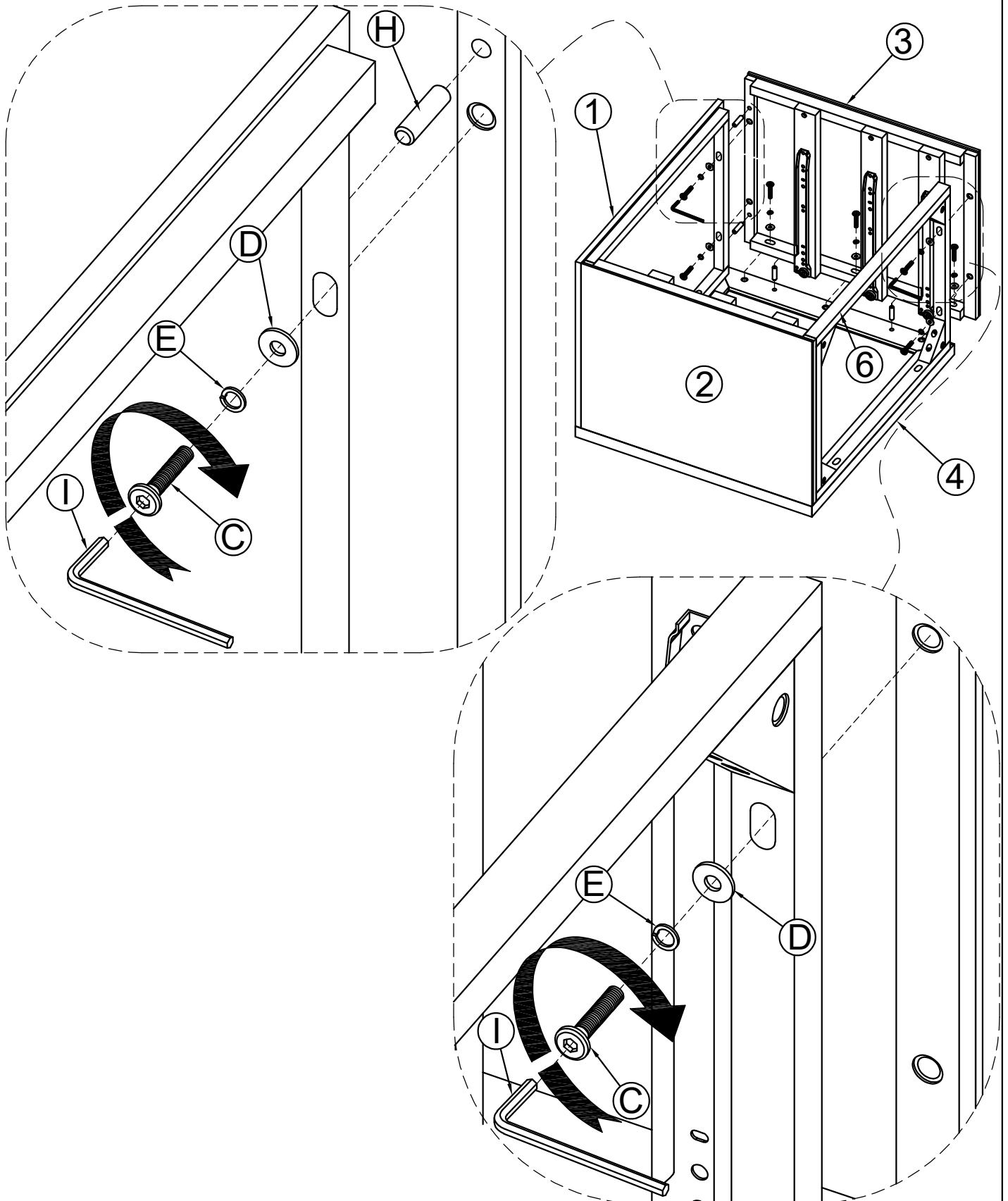
STEP 3: Following below illustration

- Using hardware #C,#E,#D connect 3 with 6
- Using hardware #C,#E,#D,#H connect 3 with 1,4

C		7	E		7
D		7	H		4
			I		1

ÉTAPE 3: Ci-dessous l'illustration

- En utilisant le matériel #C,#E,#D, connectez 3 avec 6
- En utilisant le matériel #C,#E,#D,#H, connectez 3 avec 1,4

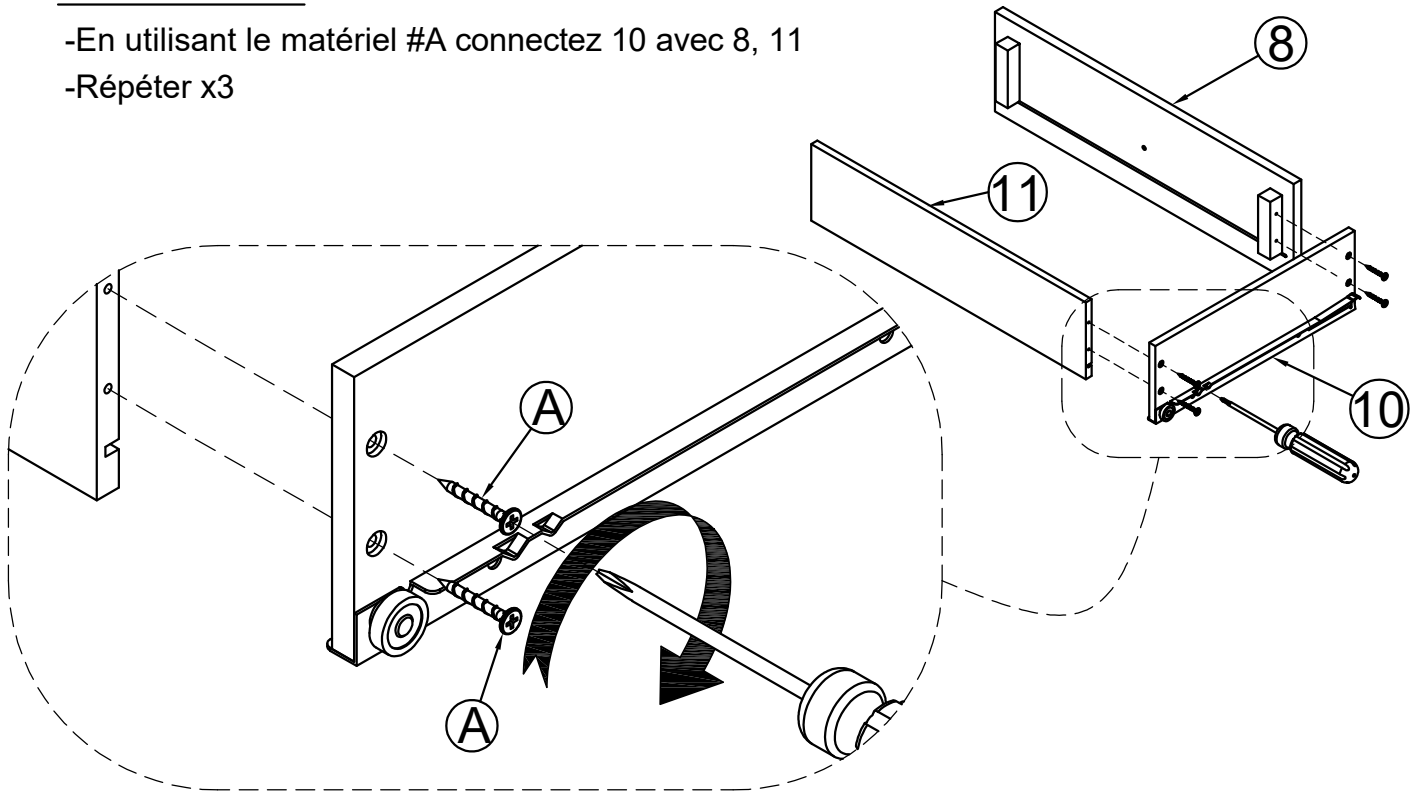
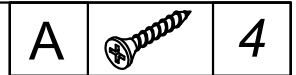


STEP 4: Following below illustration

- Using hardware #A connect 10 with 8, 11
- Repeat x3

ÉTAPE 4: Ci-dessous l'illustration

- En utilisant le matériel #A connectez 10 avec 8, 11
- Répéter x3

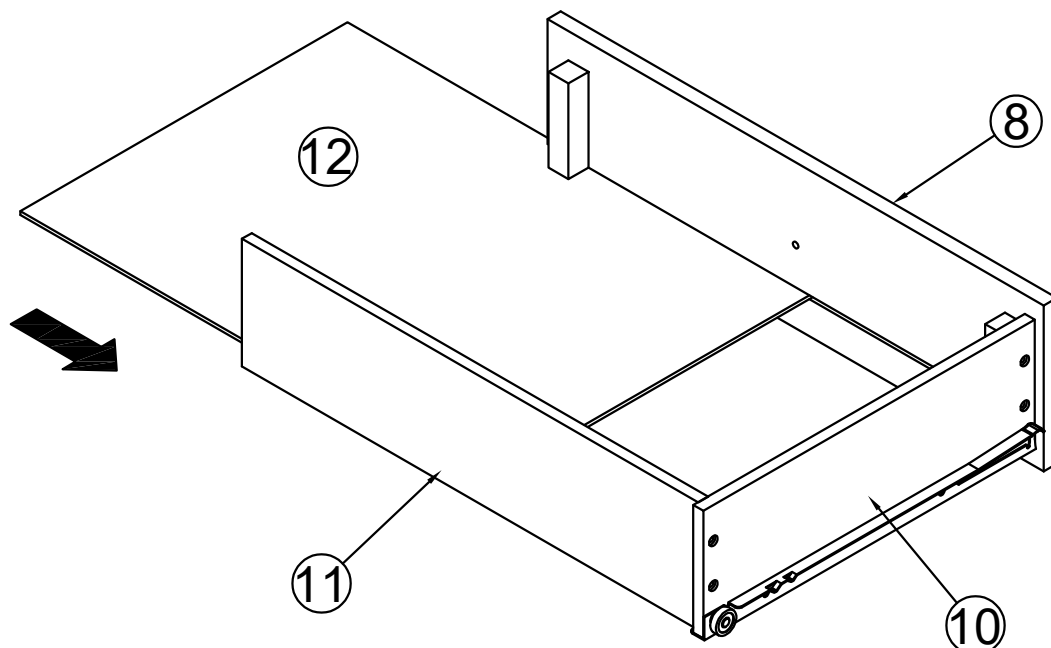


STEP 5: Following below illustration

- Repeat x3

ÉTAPE 5: Ci-dessous l'illustration

- Répéter x3

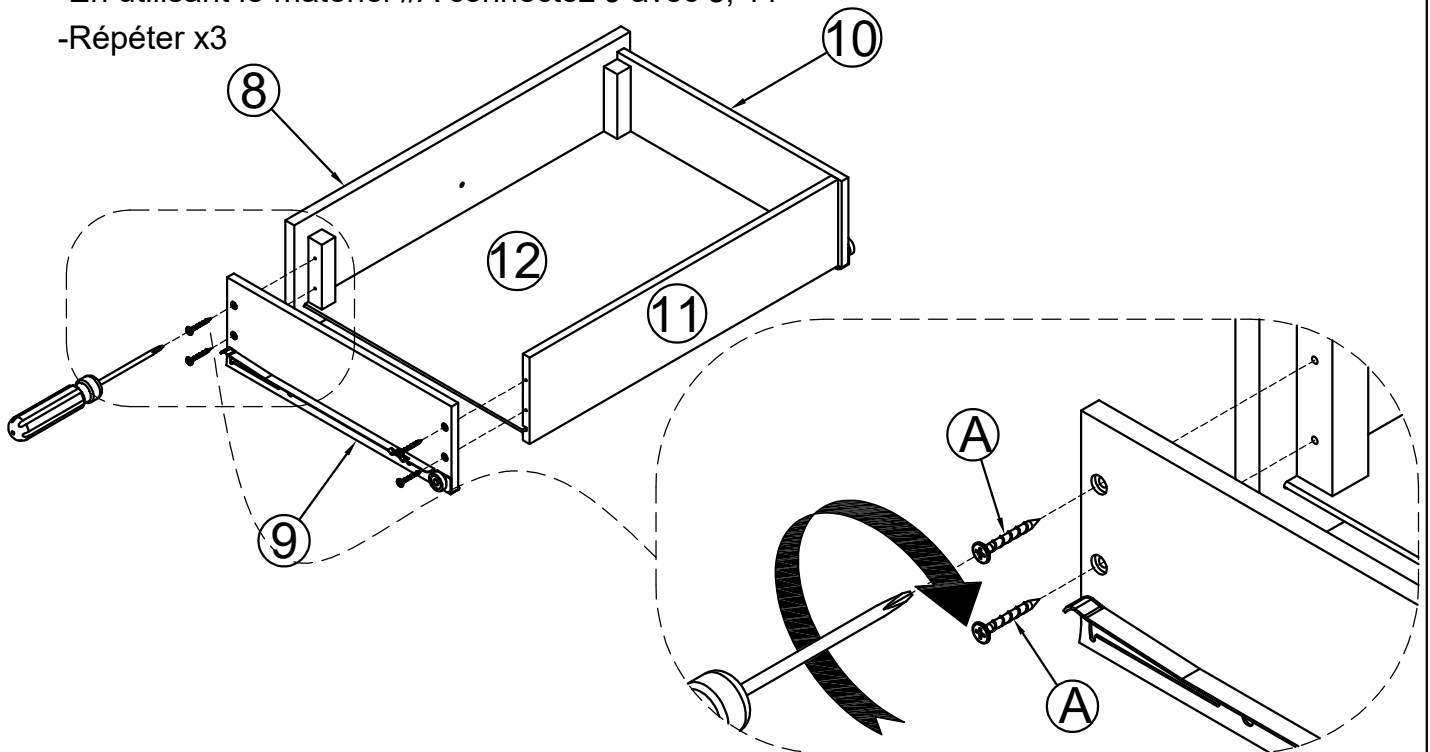


STEP 6: Following below illustration

- Using hardware #A connect 9 with 8, 11
- Repeat x3

ÉTAPE 6: Ci-dessous l'illustration

- En utilisant le matériel #A connectez 9 avec 8, 11
- Répéter x3

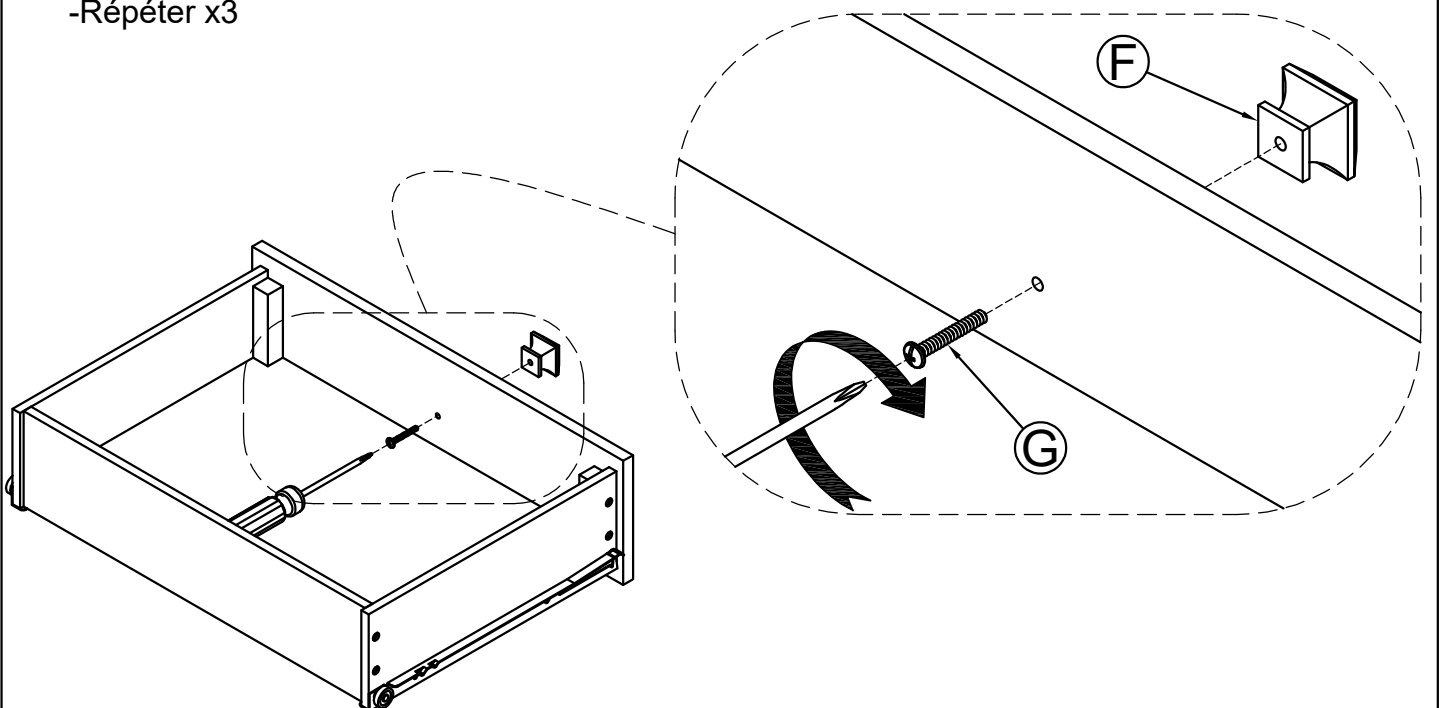


STEP 7: Following below illustration

- Using hardware #G connect F with cabinet drawer
- Repeat x3

ÉTAPE 7: Ci-dessous l'illustration

- En utilisant le matériel #G connectez F au tiroir de l'armoire
- Répéter x3

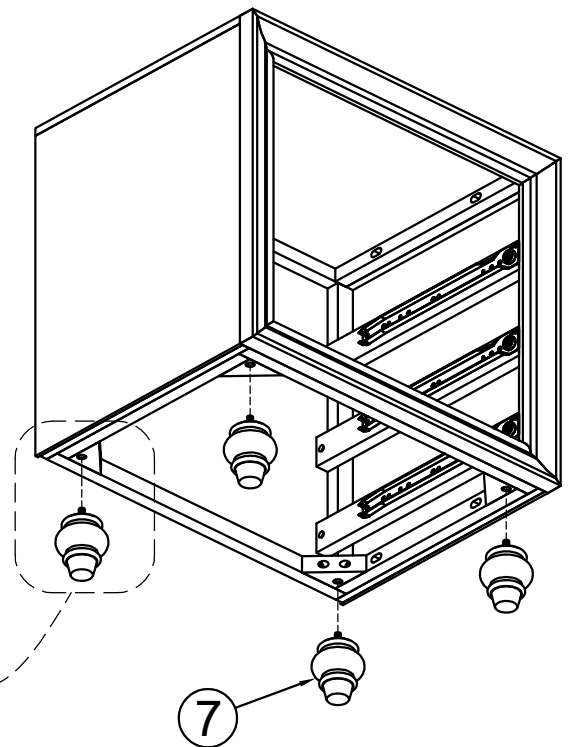
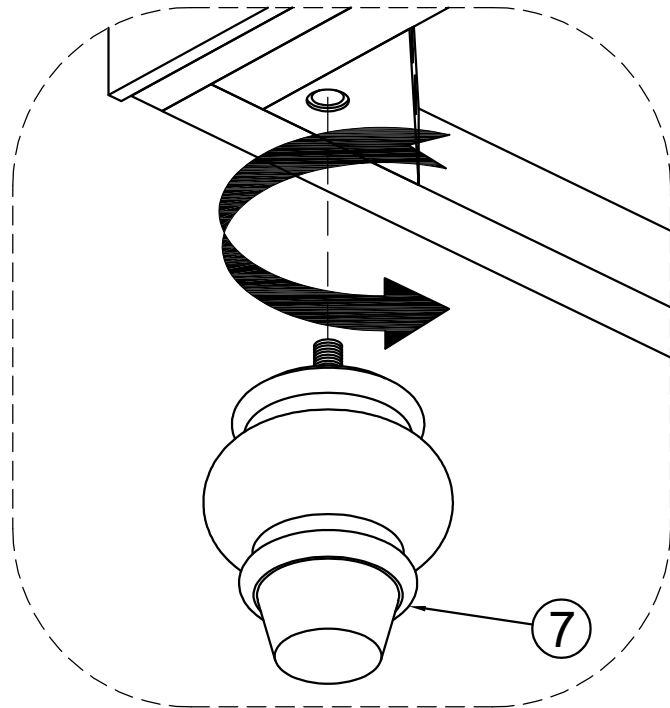


STEP 8: Following below illustration

-Connect 7 with cabinet

ÉTAPE 8: Ci-dessous l'illustration

-Connectez 7 avec l'armoire

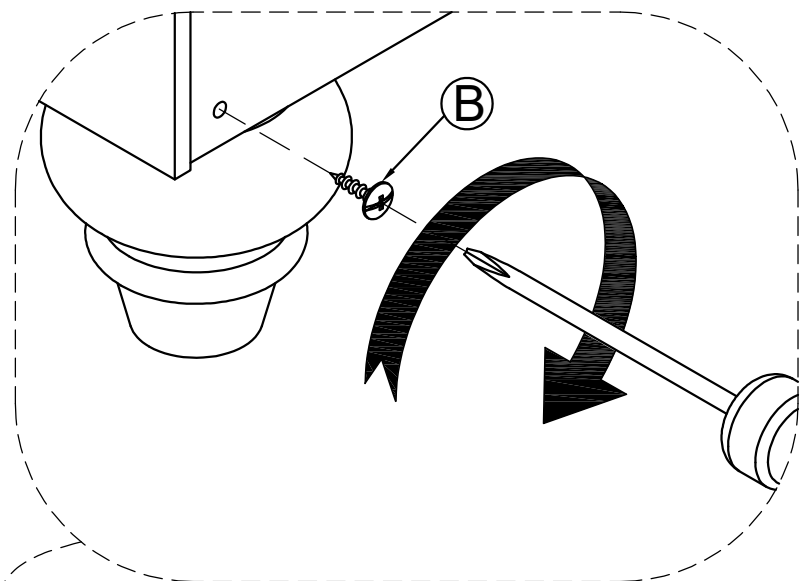
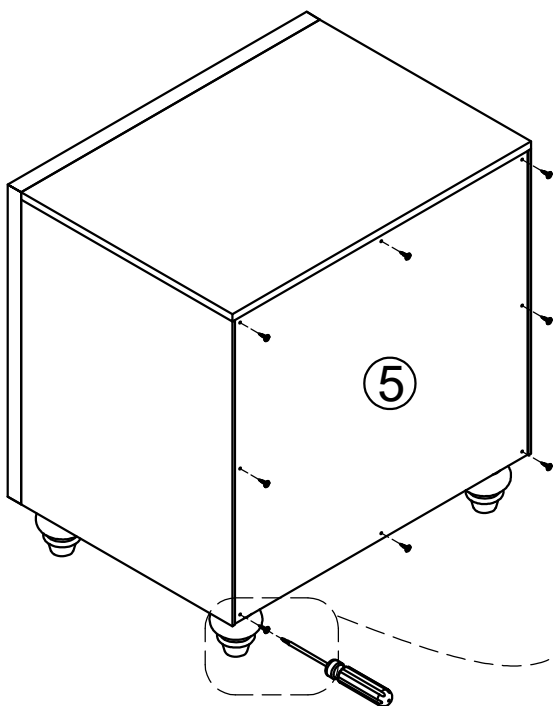


STEP 9: Following below illustration

-Using hardware #B connect 5 with cabinet

ÉTAPE 9: Ci-dessous l'illustration

-En utilisant le matériel #B connectez 5 avec l'armoire

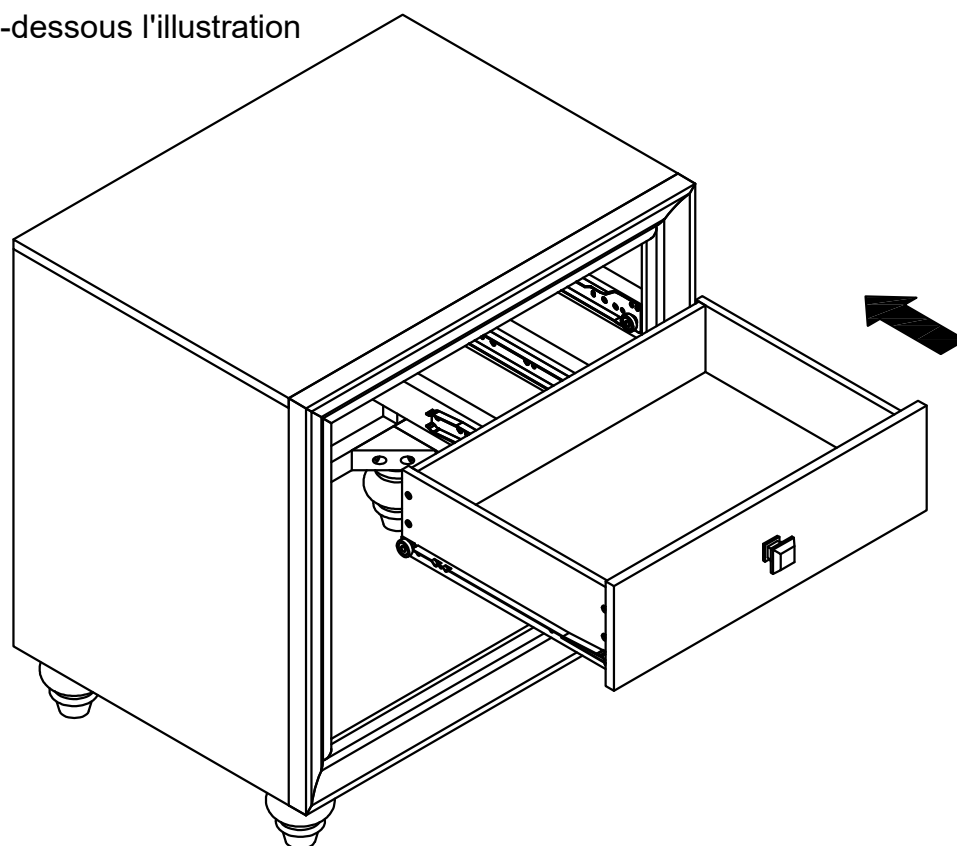


STEP 10: Following below illustration

-Repeat x3

ÉTAPE 10: Ci-dessous l'illustration

-Répéter x3



STEP 11: Complete

ÉTAPE 11: Complète

