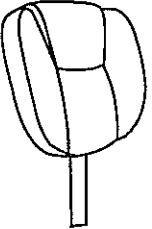


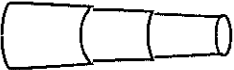
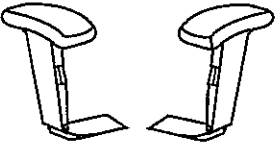
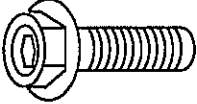
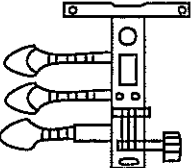
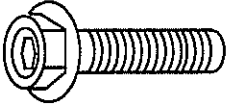

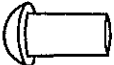
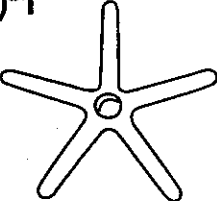
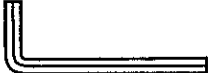
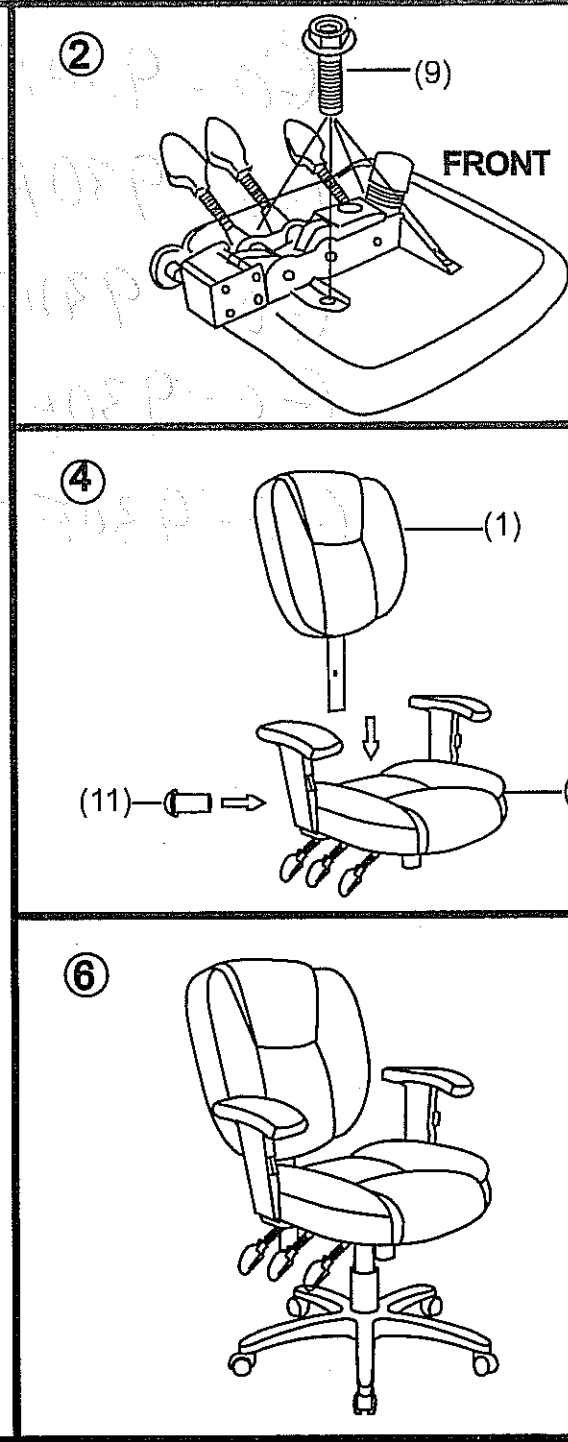
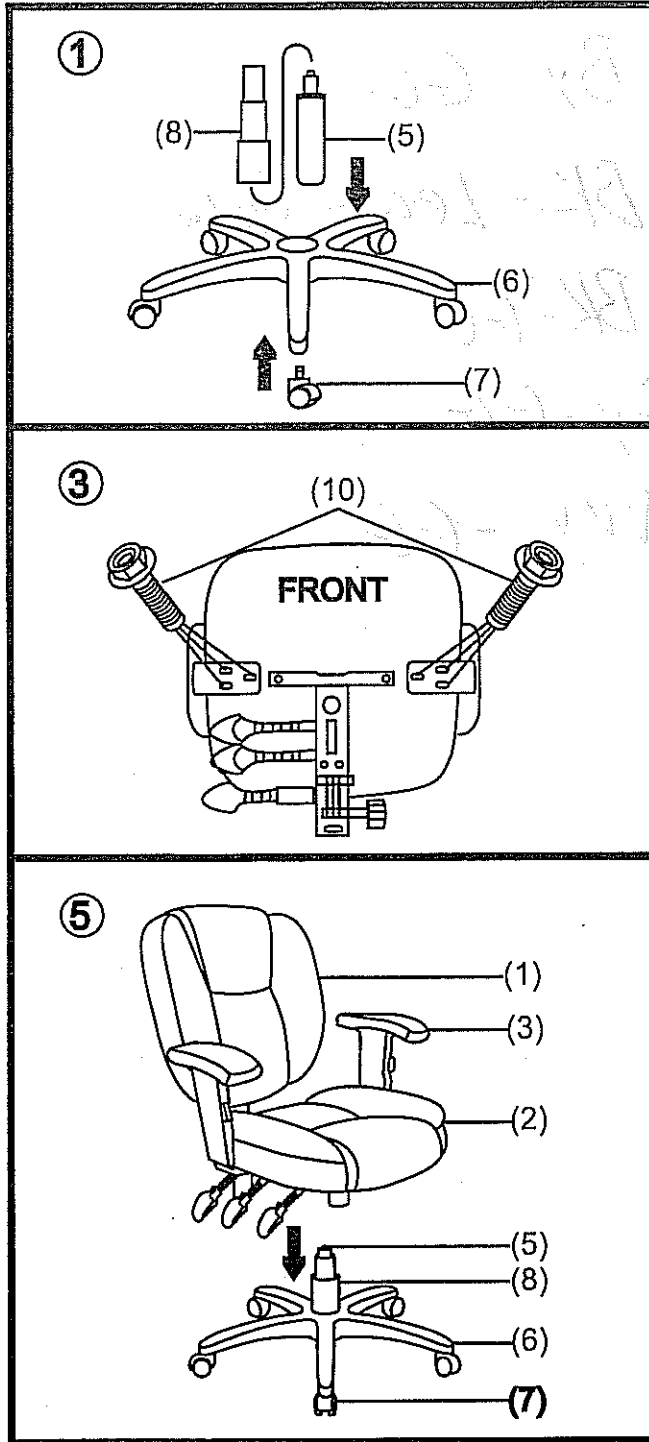
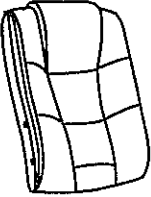



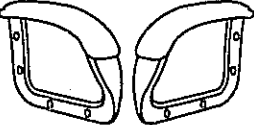

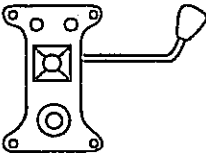
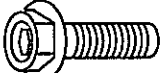
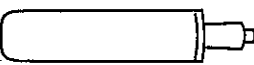
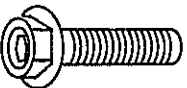
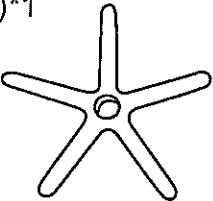


(1)*1 	(7)*5 
(2)*1 	(8)*1 
(3)*1(L)*1(R) 	(9)*4 
(4)*1 	(10)*6 
(5)*1 	(11)*1 
(6)*1 	(12)*1 



(1)*1 	(7)*5 
(2)*1 	(8)*1 
(3)*1(L)*1(R) 	(9)*8 
(4)*1 	(10)*4 
(5)*1 	(11)*8 
(6)*1 	(12)*1 