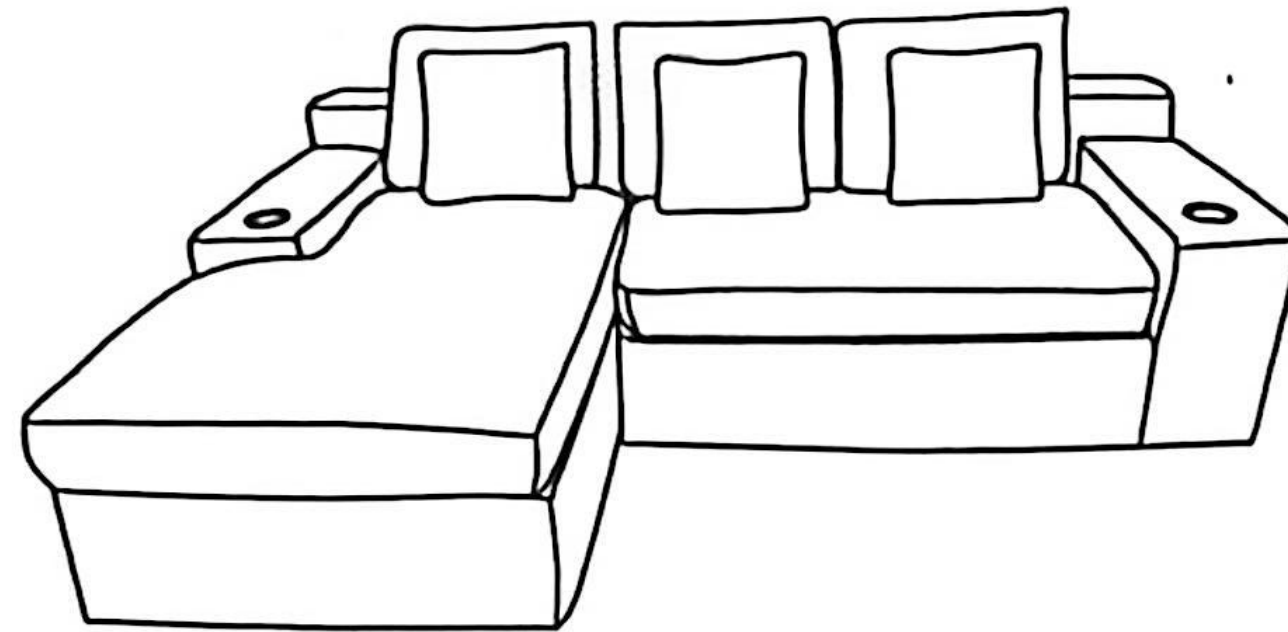


ASSEMBLY INSTRUCTION



Return Warranty policy:

-We strive to offer the highest quality products, and we also try our best to satisfy each and every customer that orders from us with replacement parts or service as needed.

If the item is damaged or defective, please take photos as evidence for replacements and refunds.

-Please do not return to store, contact the seller if you have any trouble with this product.

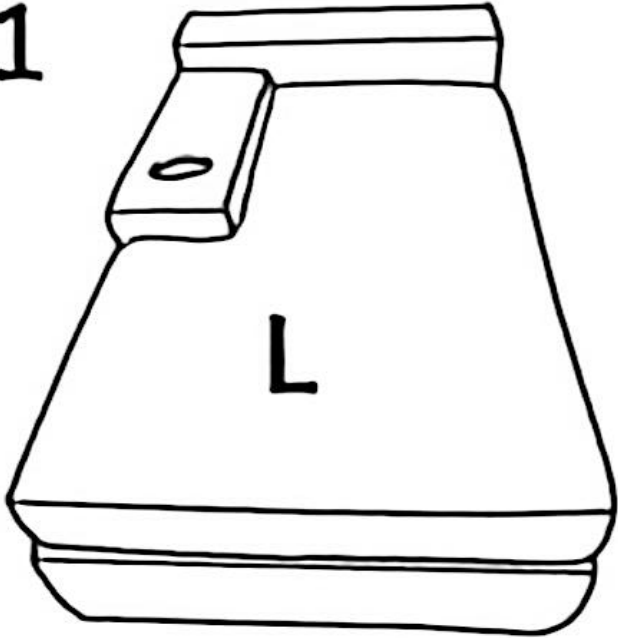
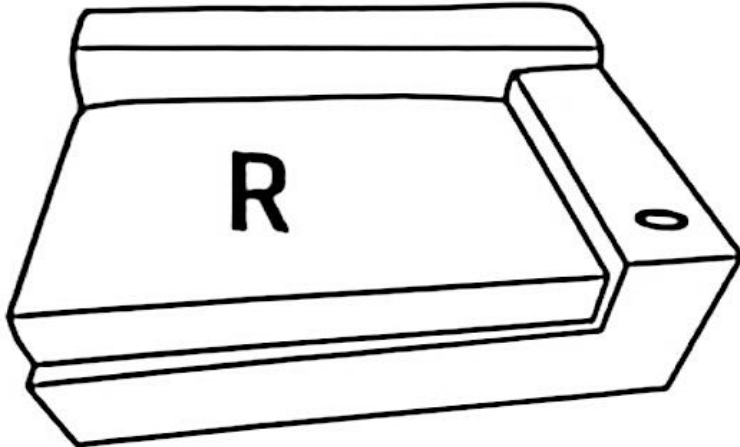
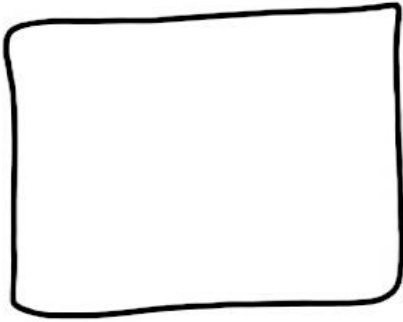
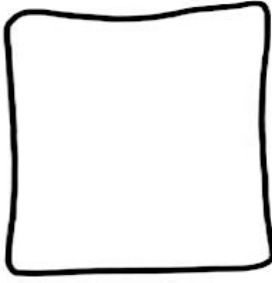
Page:1 OF 8

TIPS

1. Due to differences of light effects, the actual color of the materials might be slightly different from the pictures.
2. No Assembly Required. This sofa can free of your stereotyped nightmare of furniture assembly.
3. Due to package compression for better shipment, the fabric may have wrinkles.
4. Please take all packages out and pat every part to make it rebound better and fluffy, so that it can restore to picture-like status.
5. Please keep children away from the plastic bags.

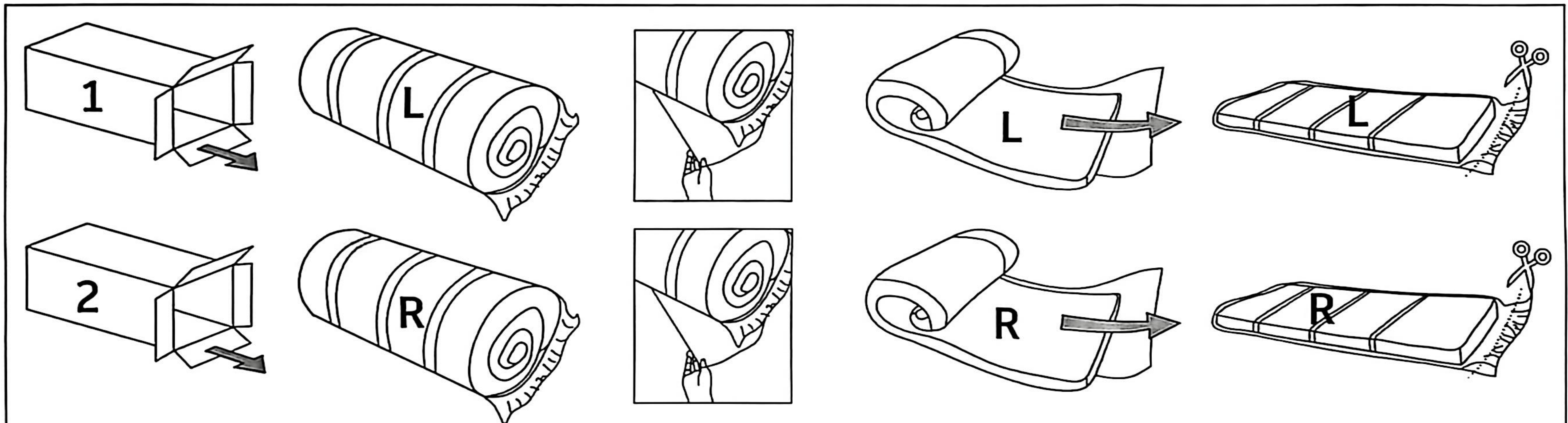
Page:2 OF 8

ASSEMBLY PART

<p>1</p>  <p>SOFABODY (1PCS)</p>	<p>2</p> 	<p>3</p>  <p>CUSHION(3PCS)</p>	<p>4</p>  <p>PILLOW (3PCS)</p>
---	---	---	---

Page:3 OF 8

ASSEMBLY INSTRUCTION



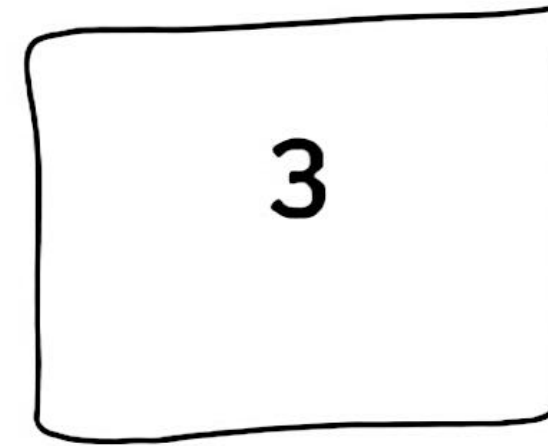
- 1、 Carefully take the entire sofa out of the box and place it where you want to use it;
- 2、 Carefully find the beginning of the roll film, and carefully unfold the roll;
- 3、 Roll the product along the edges and stretch it out to a flat surface;
- 4、 Carefully use a paper cutter or scissors along the edges of the product to unseal and Decompressit .

Page:4 OF 8

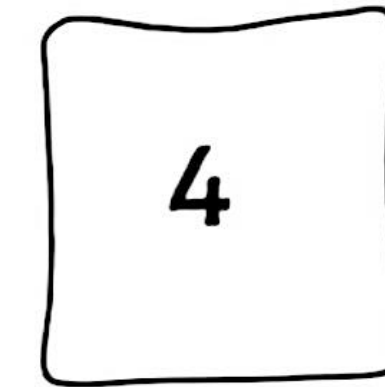
ASSEMBLY INSTRUCTION



Gently pat the bag, as shown in the left picture.



3*3pcs

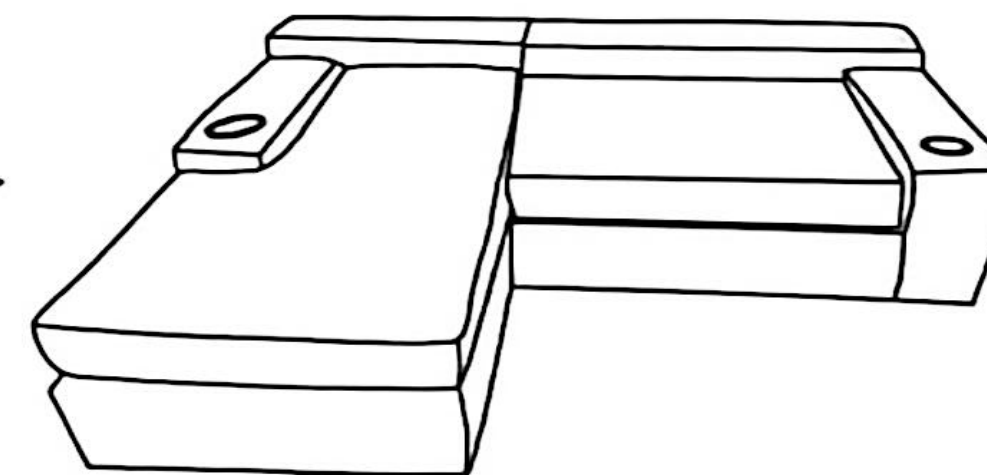
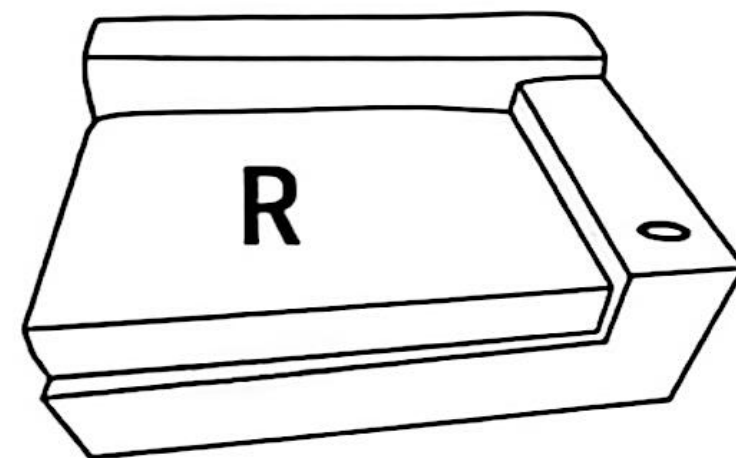
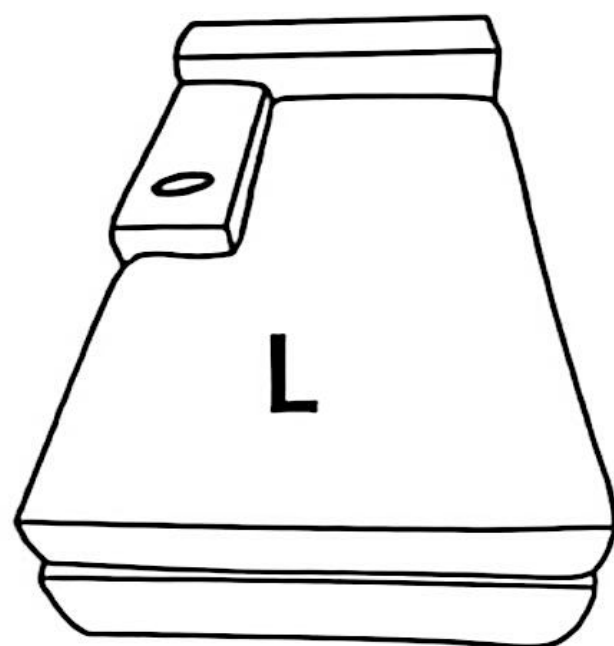


4*3pcs

after about **.72 hours !!**

Page:5 OF 8

ASSEMBLY INSTRUCTION

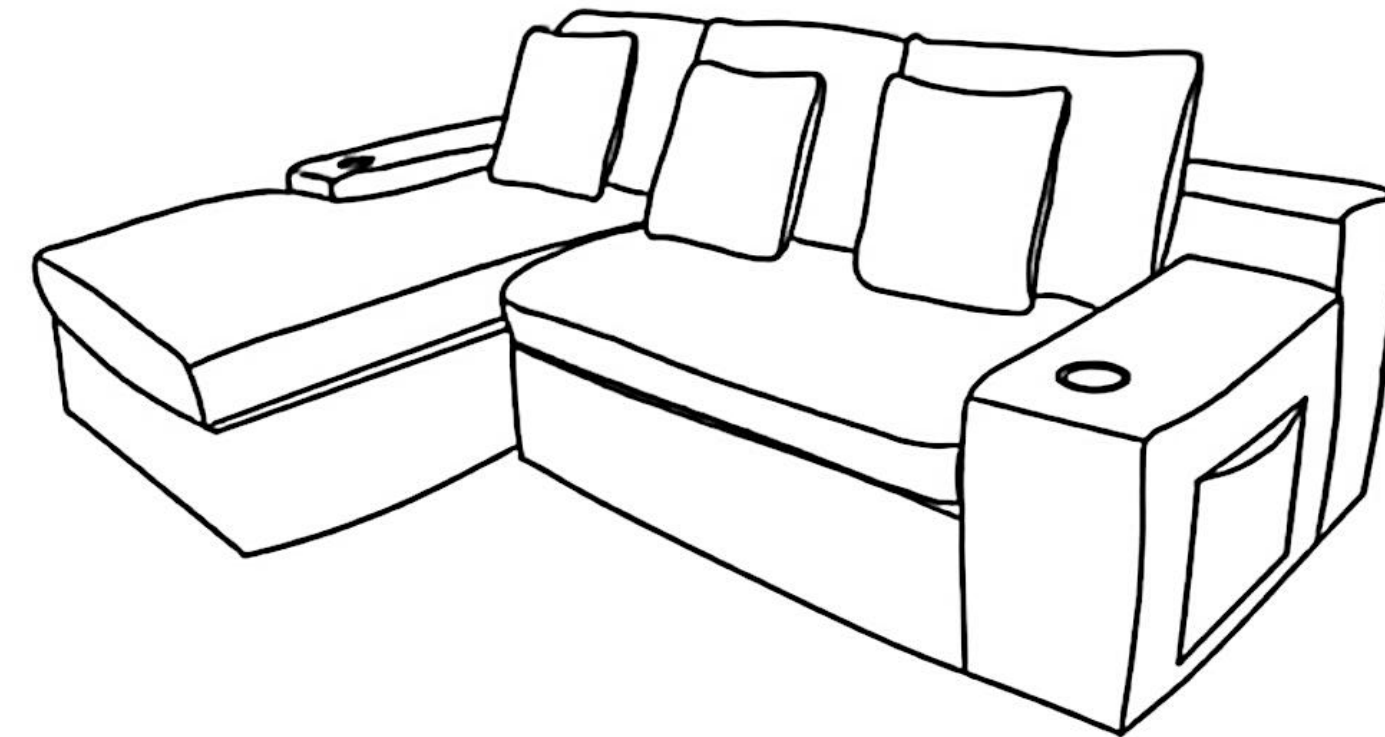
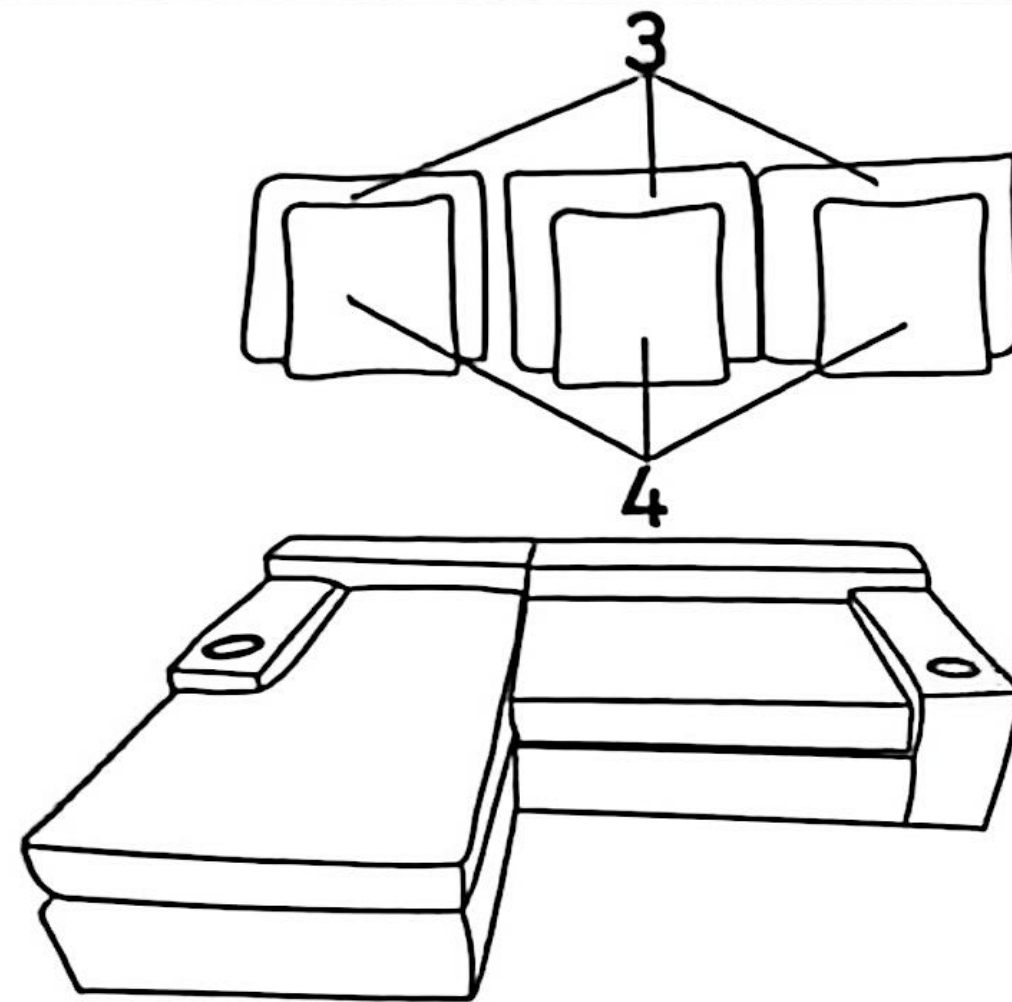


Please place the left and right sofas together.

after about **.72 hours !!**

Page:6 OF 8

ASSEMBLY INSTRUCTION



Completed

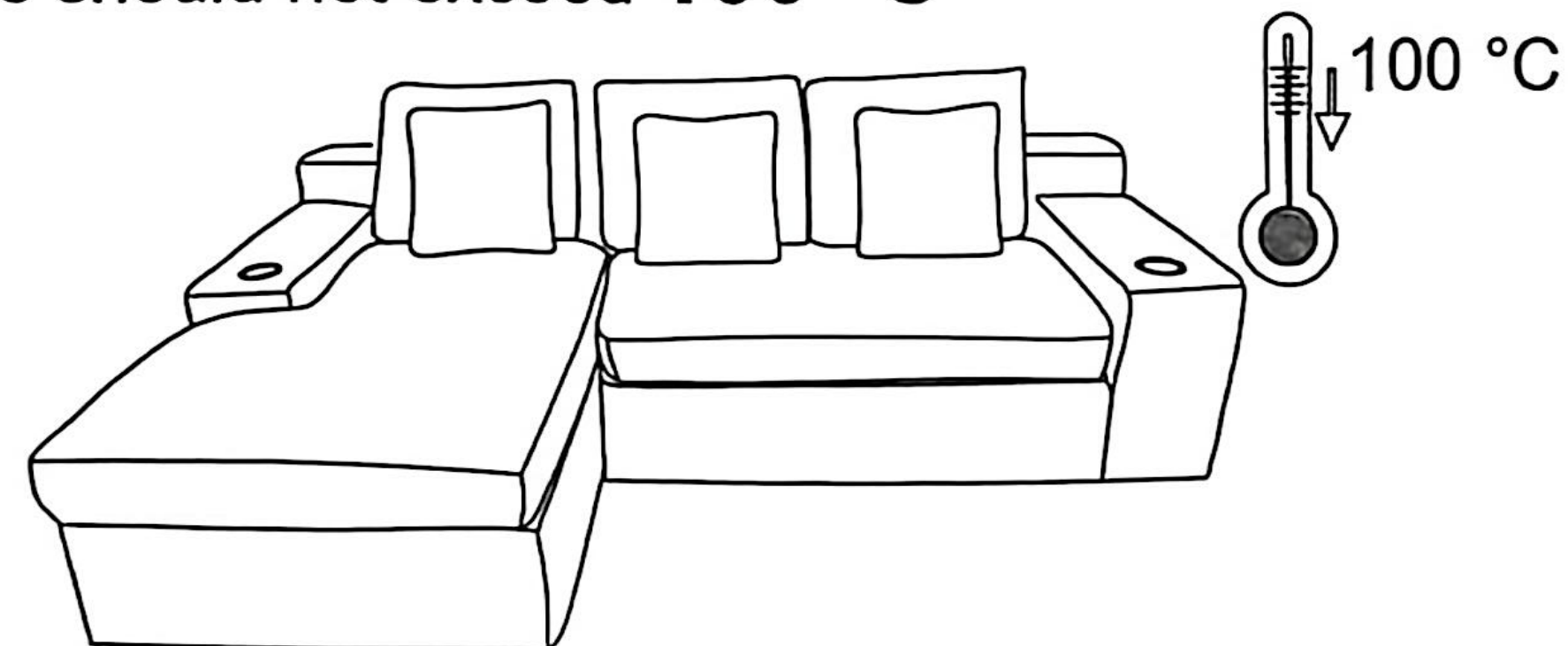
Place the organized cushion bag in the appropriate position on the sofa

Page:7 OF 8

ASSEMBLY INSTRUCTION

Friendly reminder:

When you find wrinkles on the sofa, you can use a steam iron to deal with it, but please be careful, the temperature should not exceed **100 °C**



Page:8 OF 8