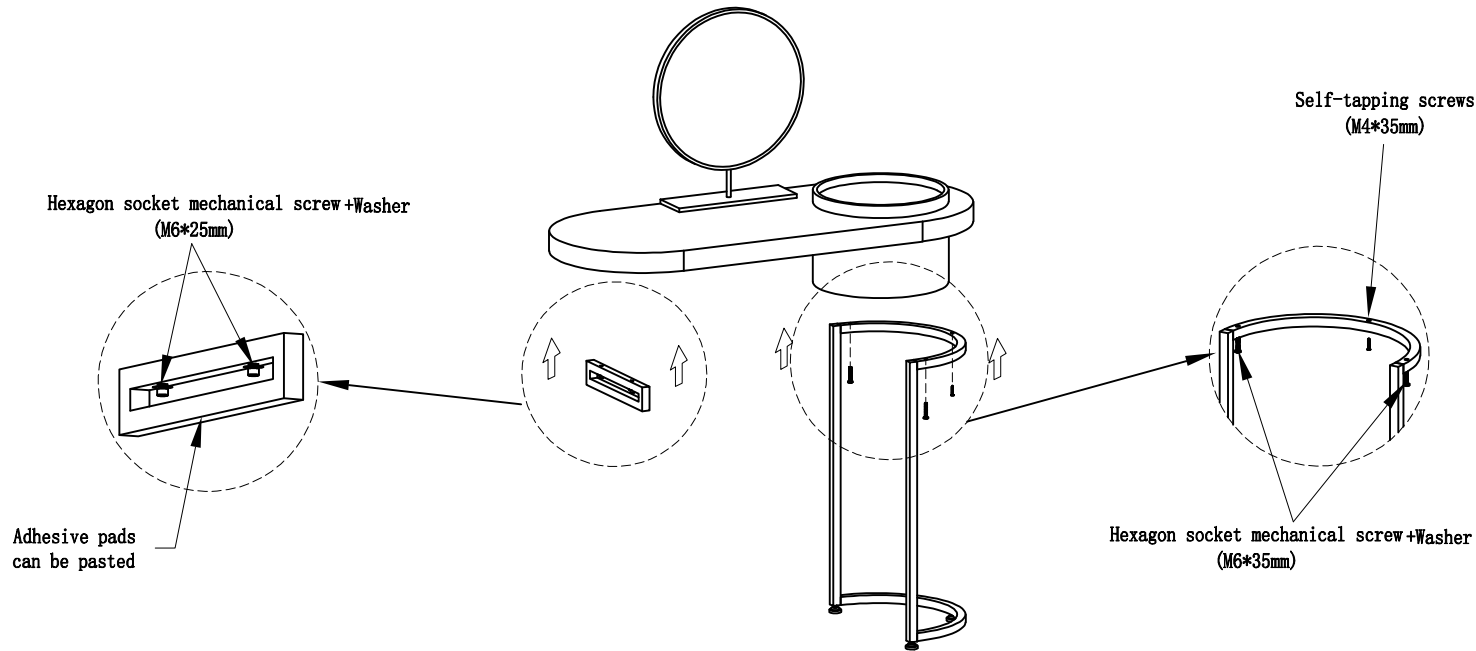


## 1. Hardware stand and desktop installation



## Installation instruction

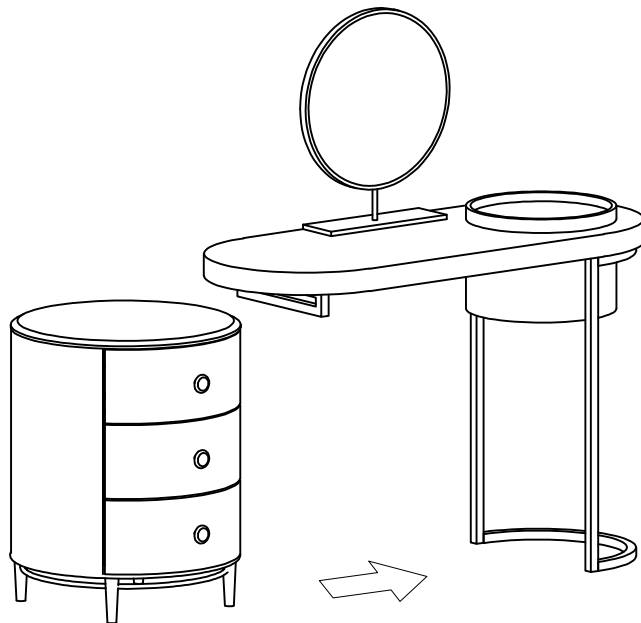


### VB009AW Installation

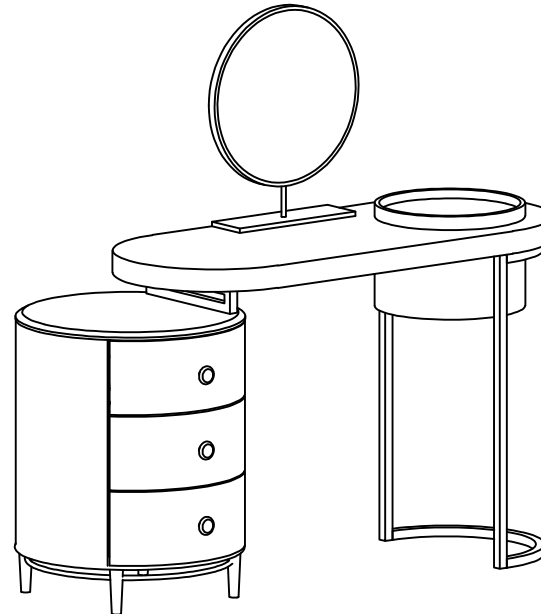
The number of people needed for installation: 2

- ① Please read the manual carefully before installing this product. And strictly follow the installation process
- ② Please take good care of this manual for your next installation
- ③ Note: Before installation, screw all the screws to 1/2 of the length of the installation. After all screws are half screwed in, tighten them all together.

## 2. put the dresser under the dresser



## 3. The installation is complete



### Parts list

On a red ribbon are furniture installation accessories

Serial number	Shape	Name	Quantity required for installation	All excess accessories are spare quantities
A		Hexagon socket mechanical screw (M6*25mm)	2	
B		Hexagon socket mechanical screw (M6*35mm)	2	
C		Shim	4	
D		Self-tapping screws (M4*35mm)	1	
E		wrench	1	
F		Rubber pad	2	
G				