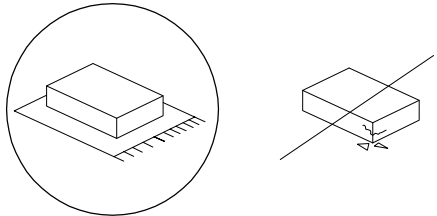


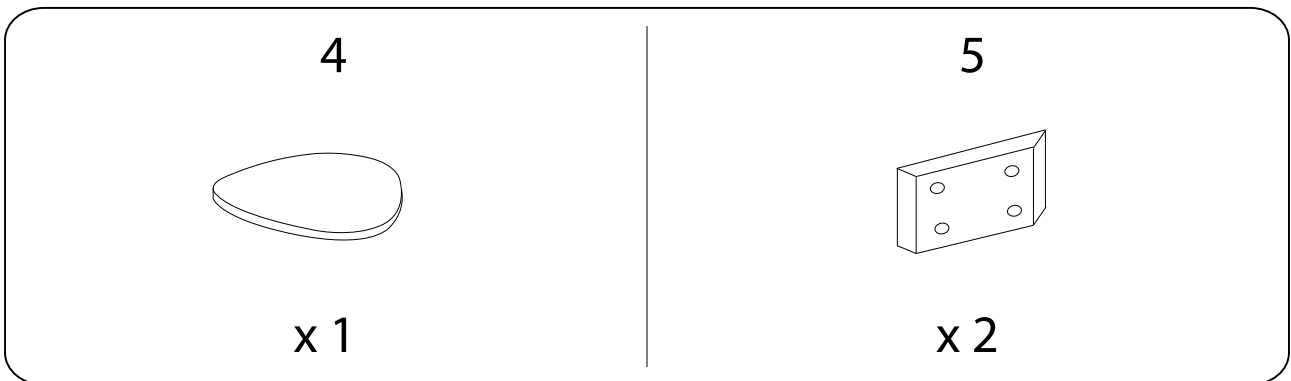
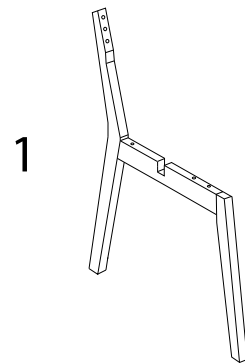
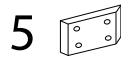
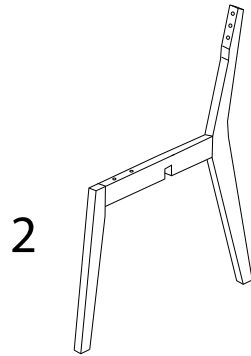
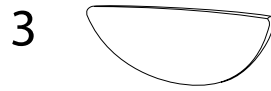
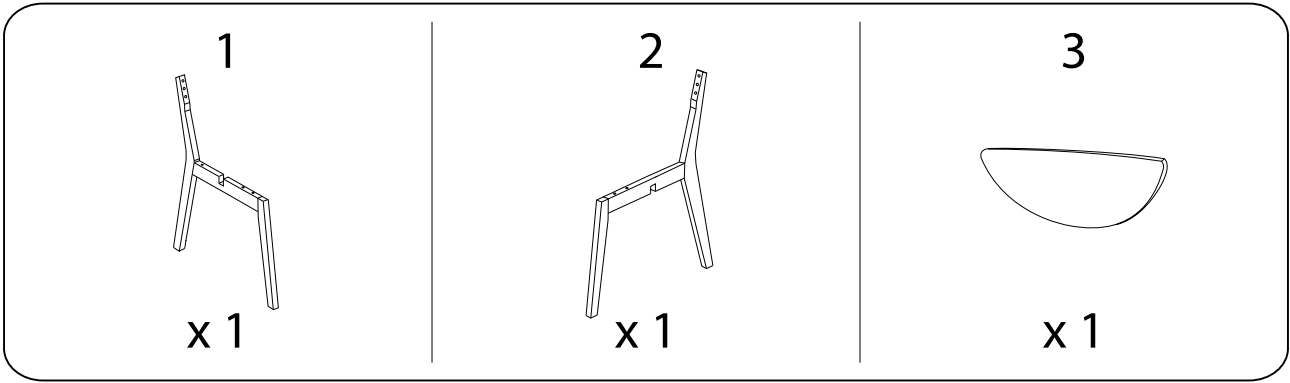
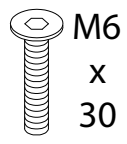

		60'
		
		1

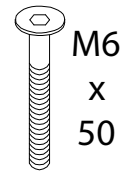


A



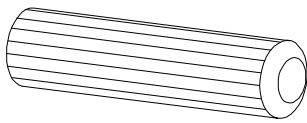
x 4

B



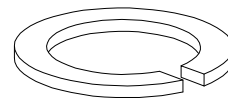
x 4

C



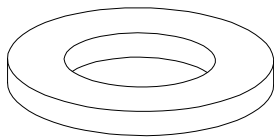
x 4

D



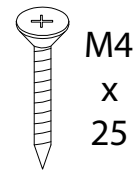
x 8

E



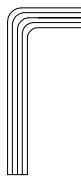
x 8

F



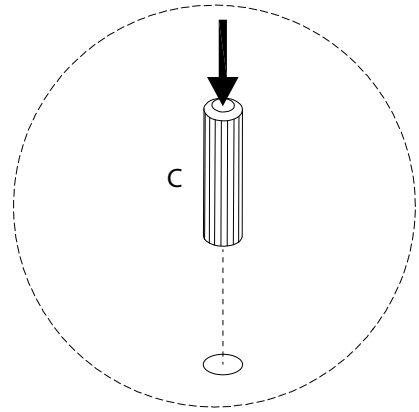
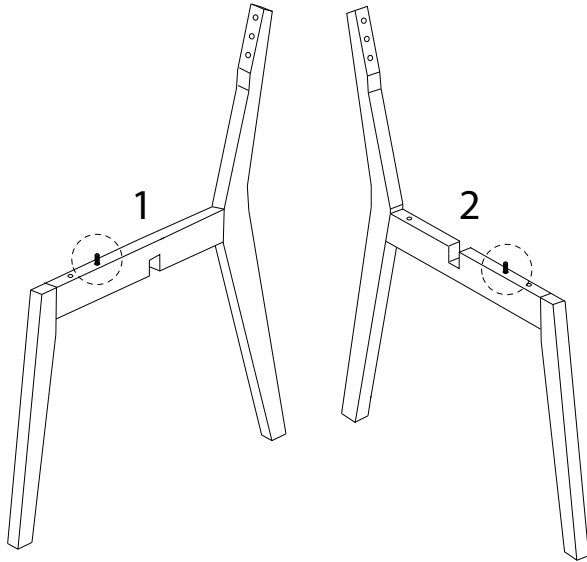
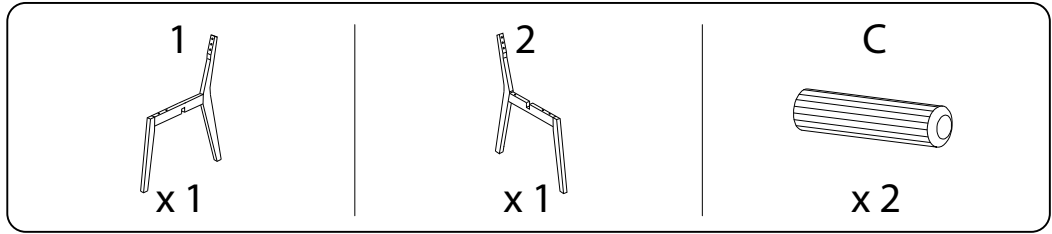
x 8

G

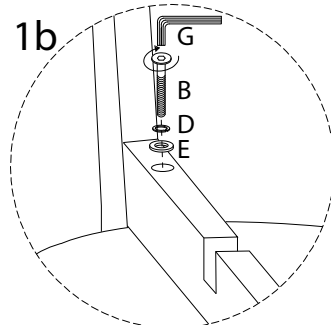
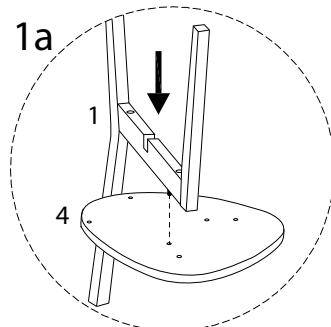
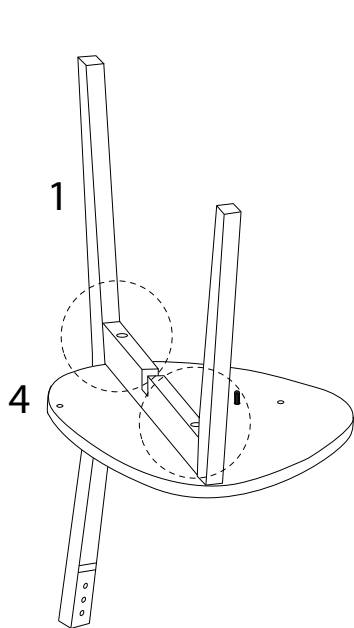
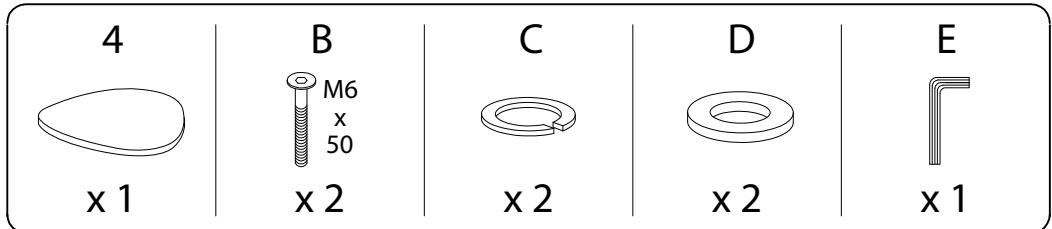


x 1

1



2



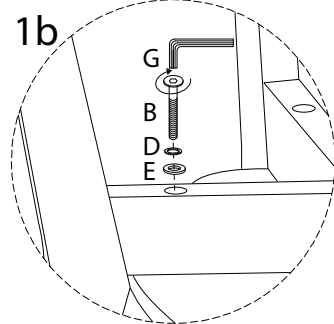
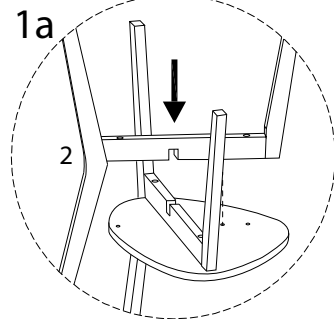
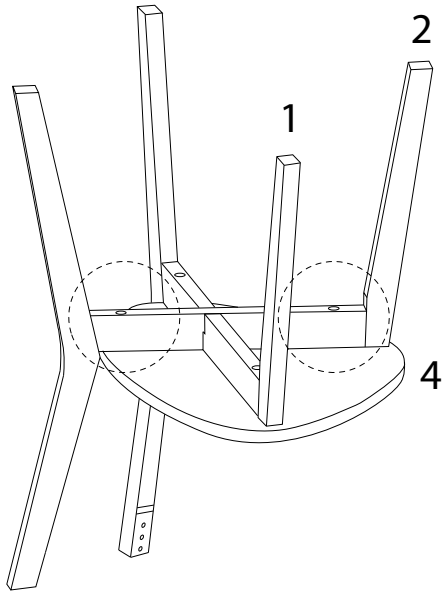
3

B
M6
x
50
x 2

D
x 2

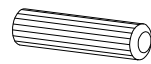
E
x 2

G
x 1

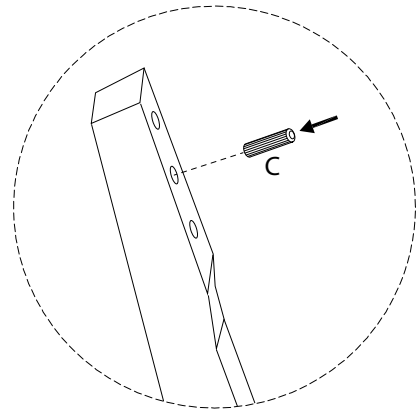
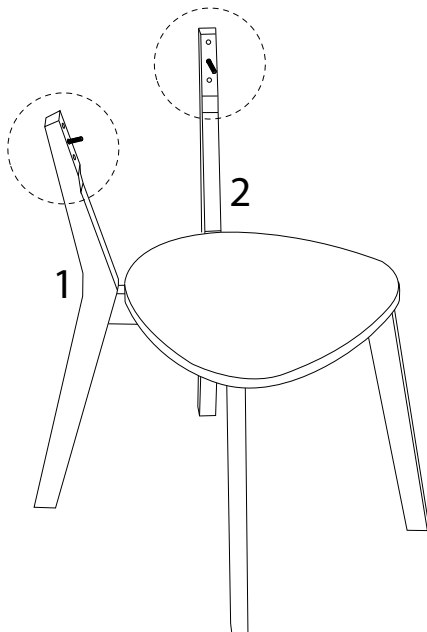


4


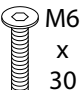


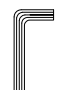
C

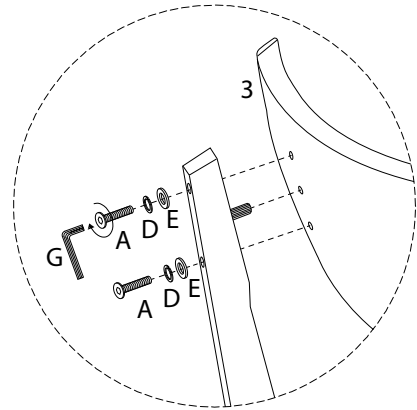
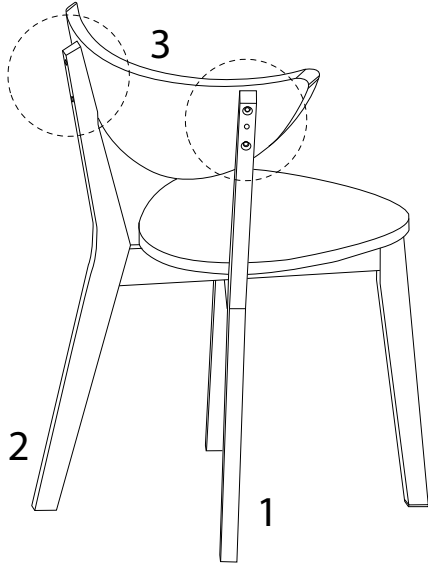


x 2

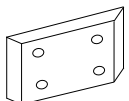



5

<p>3</p>  <p>x 1</p>	<p>A</p>  <p>M6 x 30</p> <p>x 4</p>	<p>D</p>  <p>x 4</p>	<p>E</p>  <p>x 4</p>	<p>G</p>  <p>x 1</p>
---	--	---	---	---



6

<p>5</p>  <p>x 2</p>	<p>F</p>  <p>M4 x 25</p> <p>x 8</p>
---	--

