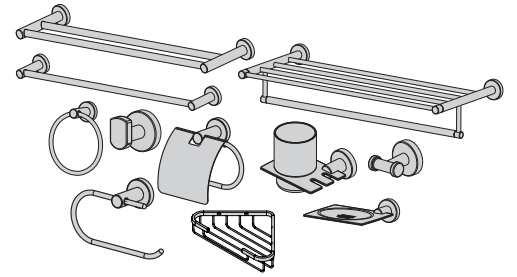





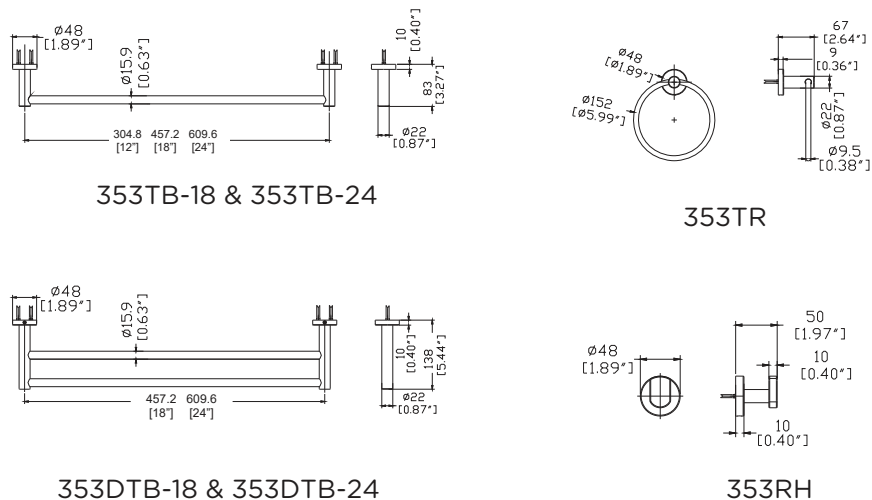
353DTB-18, 353DTB-24, 353TB-18, 353TB-24,
353TS-22, 353TR, 353RH, 353DRH, 353TH,
353TP, 353TPC, 353SD, 353-SD2

Accessory Suite
Operation & Maintenance Manual

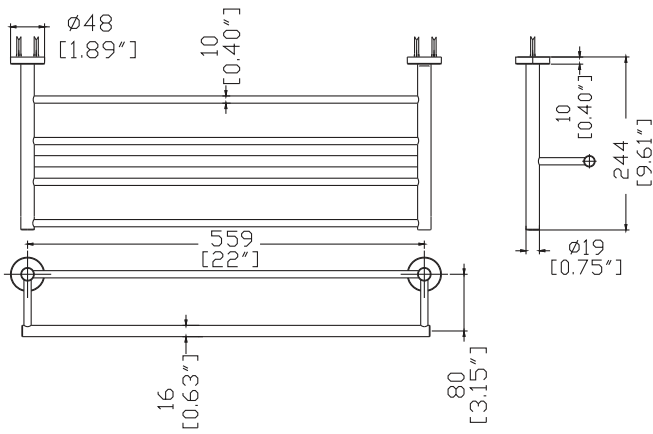


Model Numbers	Specification
<ul style="list-style-type: none"> <input type="checkbox"/> 353DTB-18 <i>18" Double Towel Bar</i> <input type="checkbox"/> 353DTB-24 <i>24" Double Towel Bar</i> <input type="checkbox"/> 353TB-18 <i>18" Towel Bar</i> <input type="checkbox"/> 353TB-24 <i>24" Towel Bar</i> <input type="checkbox"/> 353TS-22 <i>22" Towel Shelf</i> <input type="checkbox"/> 353TR <i>Towel Ring</i> <input type="checkbox"/> 353RH <i>Robe Hook</i> <input type="checkbox"/> 353DRH <i>Double Robe Hook</i> <input type="checkbox"/> 353TH <i>Toothbrush Holder</i> <input type="checkbox"/> 353TP <i>Toilet Paper Holder</i> <input type="checkbox"/> 353TPC <i>Toilet Paper Holder</i> <input type="checkbox"/> 353SD <i>Soap Dish</i> <input type="checkbox"/> 353-SD2 <i>Soap Basket</i> 	<p>All premium accessories constructed from metal materials, plated in standard polished chrome finish.</p> <hr/> <p>Warranty</p> <p>Limited Lifetime - to the original end purchaser in consumer/residential installations. 10 Years - for commercial/industrial installations. Refer to www.symmons.com/warranty for complete warranty information.</p> 
Modifications	
<ul style="list-style-type: none"> <input type="checkbox"/> -BBZ <i>Brushed Bronze finish</i> <input type="checkbox"/> -MB <i>Matte Black finish</i> <input type="checkbox"/> -STN <i>Satin Nickel finish</i> <p>Note: Append appropriate -suffix to model number.</p>	

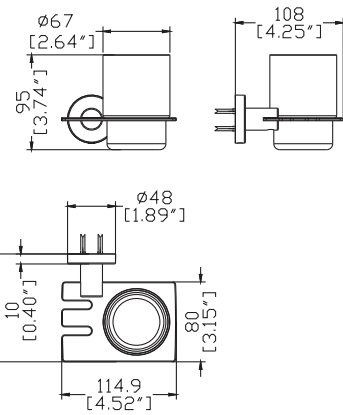
Dimensions



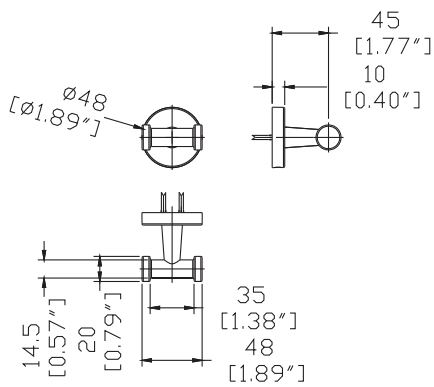
Dimensions



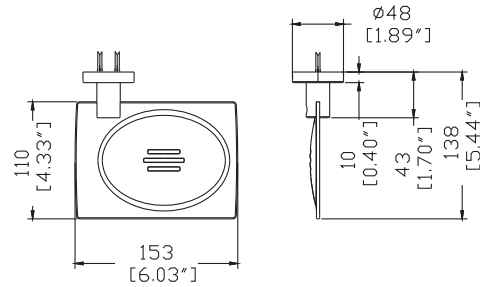
353TS-22



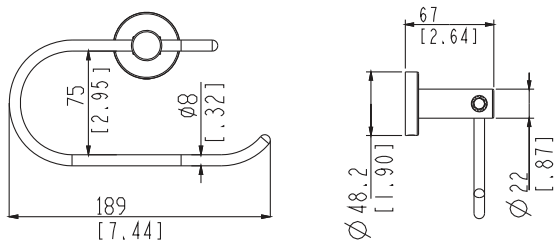
353TH



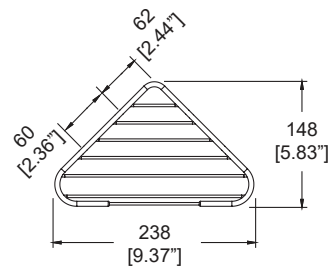
353DRH



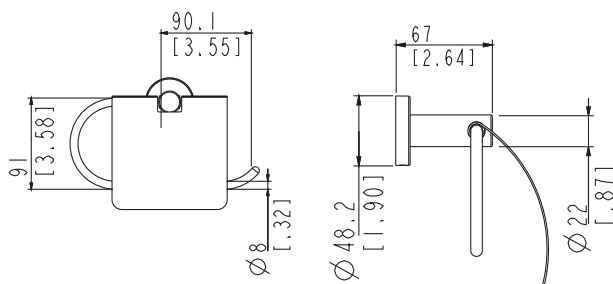
353SD



353TP



353-SD2



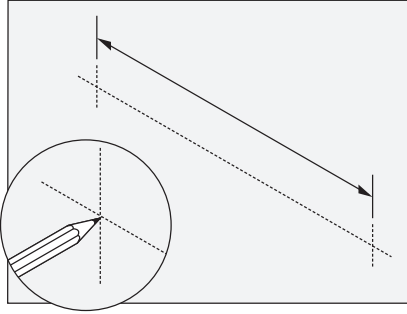
353TPC

Note: Dimensions subject to change without notice.

Replacement Parts	
Description	Part Number
Mounting Hardware Kit Less Bracket	RA-017
Mounting Hardware Kit With Bracket	RA-026

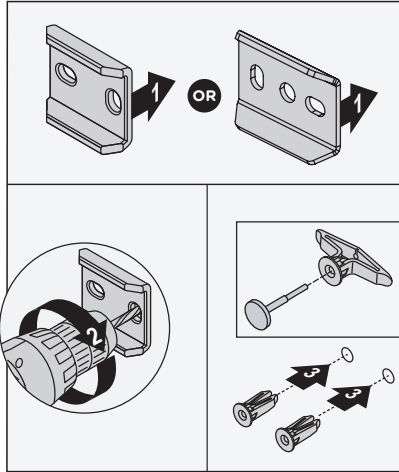
Installation

- 1) Measure and mark centerlines for mounting bracket installation using dimensions on page 2.



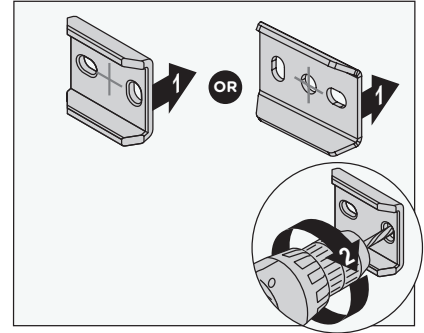
Note:
353DTB-18, 353DTB-24, 353TB-18, 353TB-24, 353TS-22 only.
Make sure both centerline marks are level.

- 2a) **Dry Wall Option:** Place mounting brackets into desired position. Using brackets as a guide, carefully drill 5/16" holes into wall. Remove brackets and install anchors.

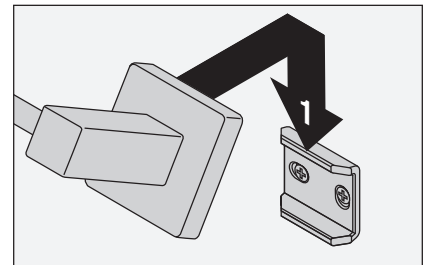


Note:
For plaster walls 1/2" thick or less, insert toggle tool into toggle to secure behind wall prior to installing accessory trim.

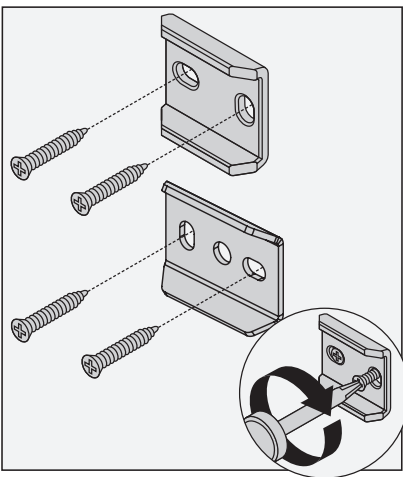
- 2b) **Stud Option:** Center bracket on centerline. Using brackets as a guide, carefully drill 3/16" holes into wall.



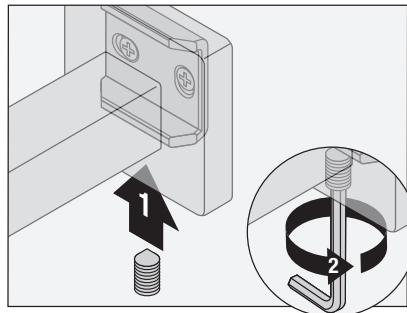
- 5) Hang top of accessory on mounting bracket. Lower into position.



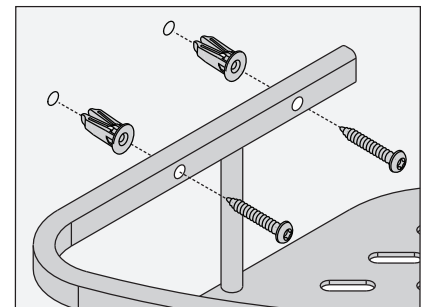
- 3) With mounting brackets in position, secure to wall using screws.
Use bracket as screw template



- 4) Secure with set screw.



353-SD2 Only: Carefully drill 5/16" holes into wall and install anchors. Secure to wall using screws.



Troubleshooting Chart

Problem	Cause	Solution
Finish is spotting.	Elements in water supply may cause water staining on finish.	Clean finished trim area with a soft cloth using mild soap and water or a non-abrasive cleaner and then quickly rinse with water.