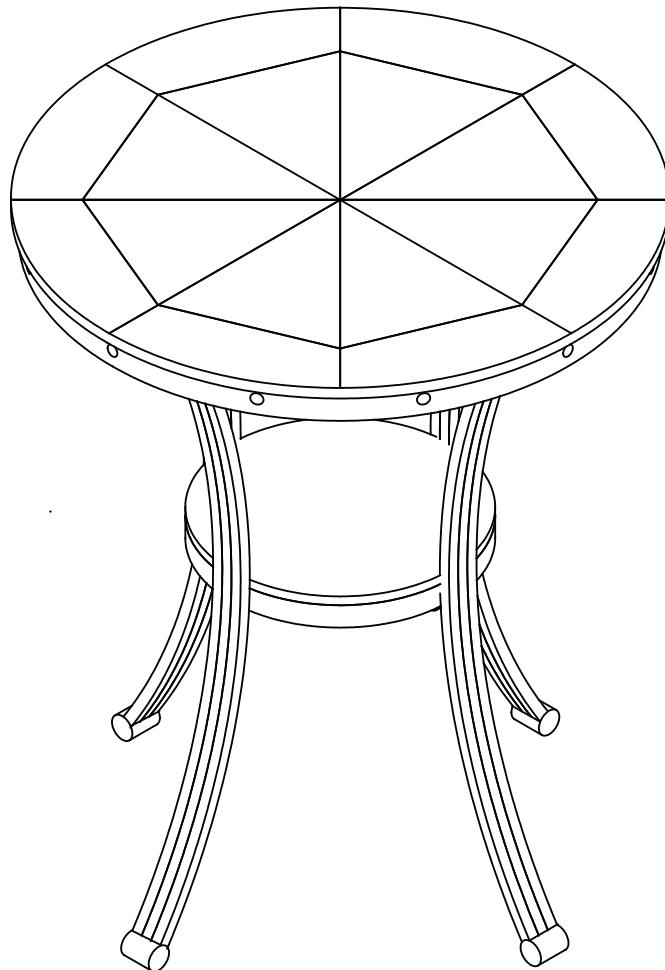

SIDE TABLE
PETITE TABLE
MESITA AUXILIAR



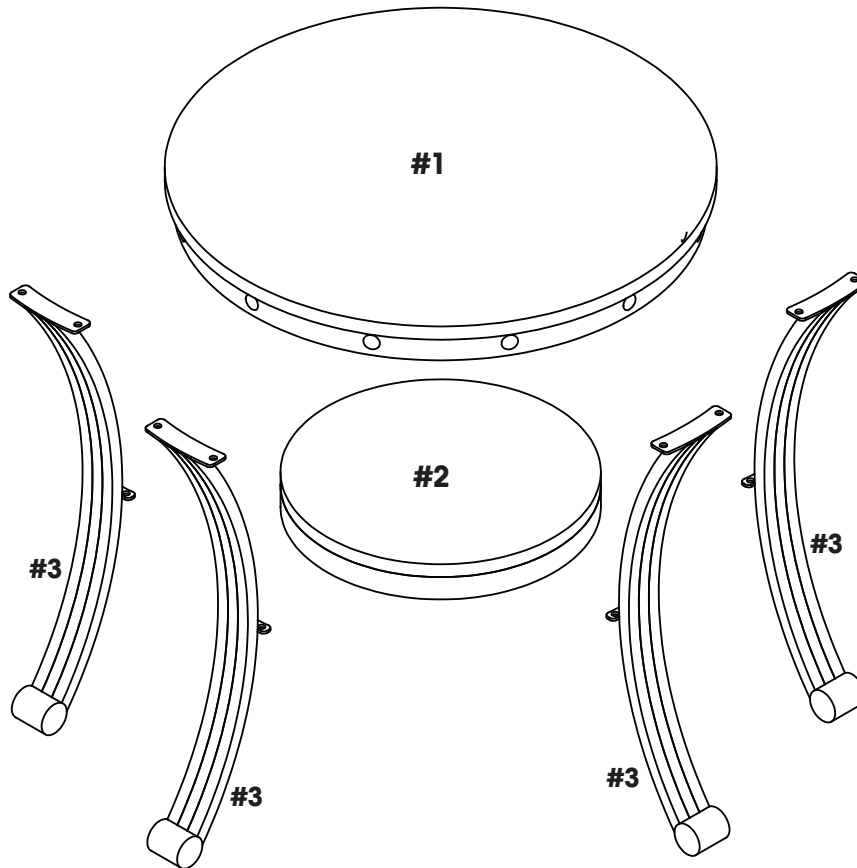
We are here to help!
Before you return it - contact us.

Nous sommes là pour vous aider!
Avant de retourner le produit, veuillez communiquer avec nous.

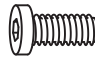


¡Estamos aquí para ayudarle!
Antes de regresar el producto, comuníquese con nosotros.

PART LIST

#1	TABLE TOP	01
#2	SHELF	01
#3	LEG	04



HARDWARE LIST

A	BOLT (Ø1/4"X5/8")		16
B	SPRING WASHER		16
C	FIAT WASHER		16

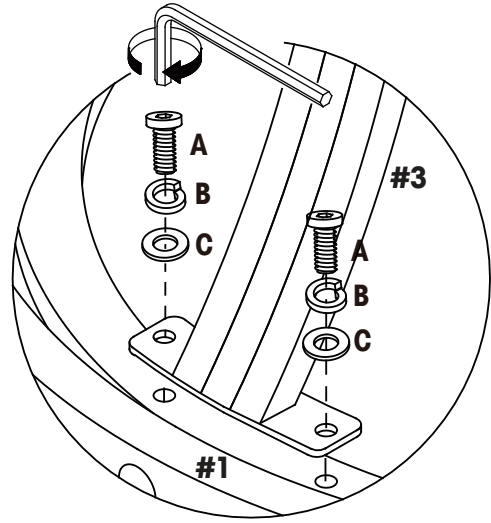
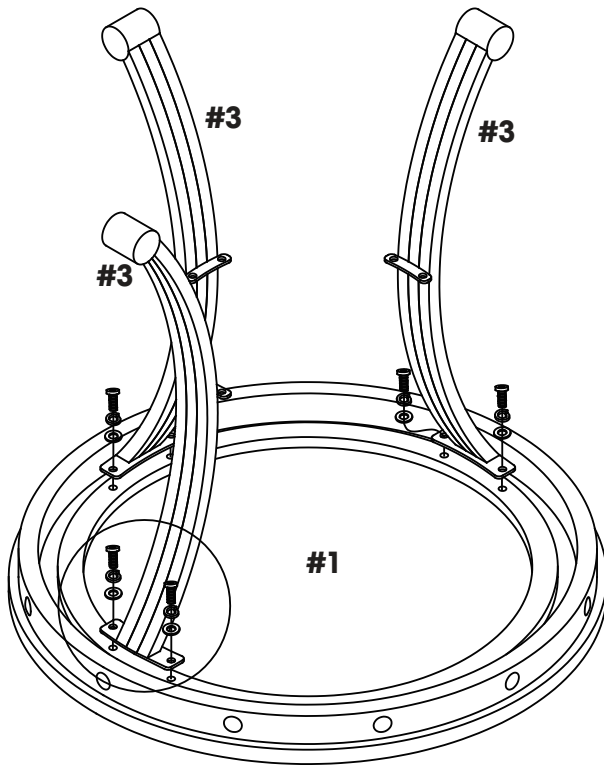
TOOLS REQUIRED

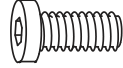


ALLEN KEY		SUPPLIED
------------------	---	-----------------

IMPORTANT:

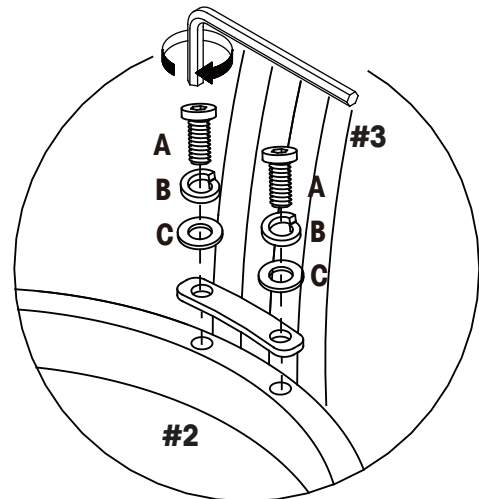
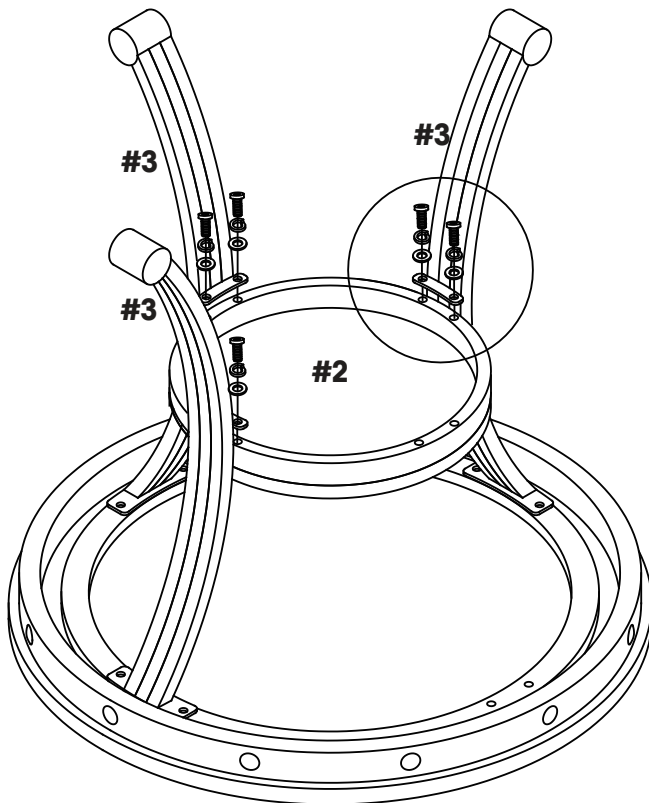
1. Do not tighten bolts completely until all bolts are completely lined up and inserted into holes / nuts.
2. Do not over tighten screws and bolts to avoid stripping.
3. Please use hand tools to assemble this product. Do not use power tools.

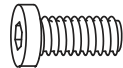


1.



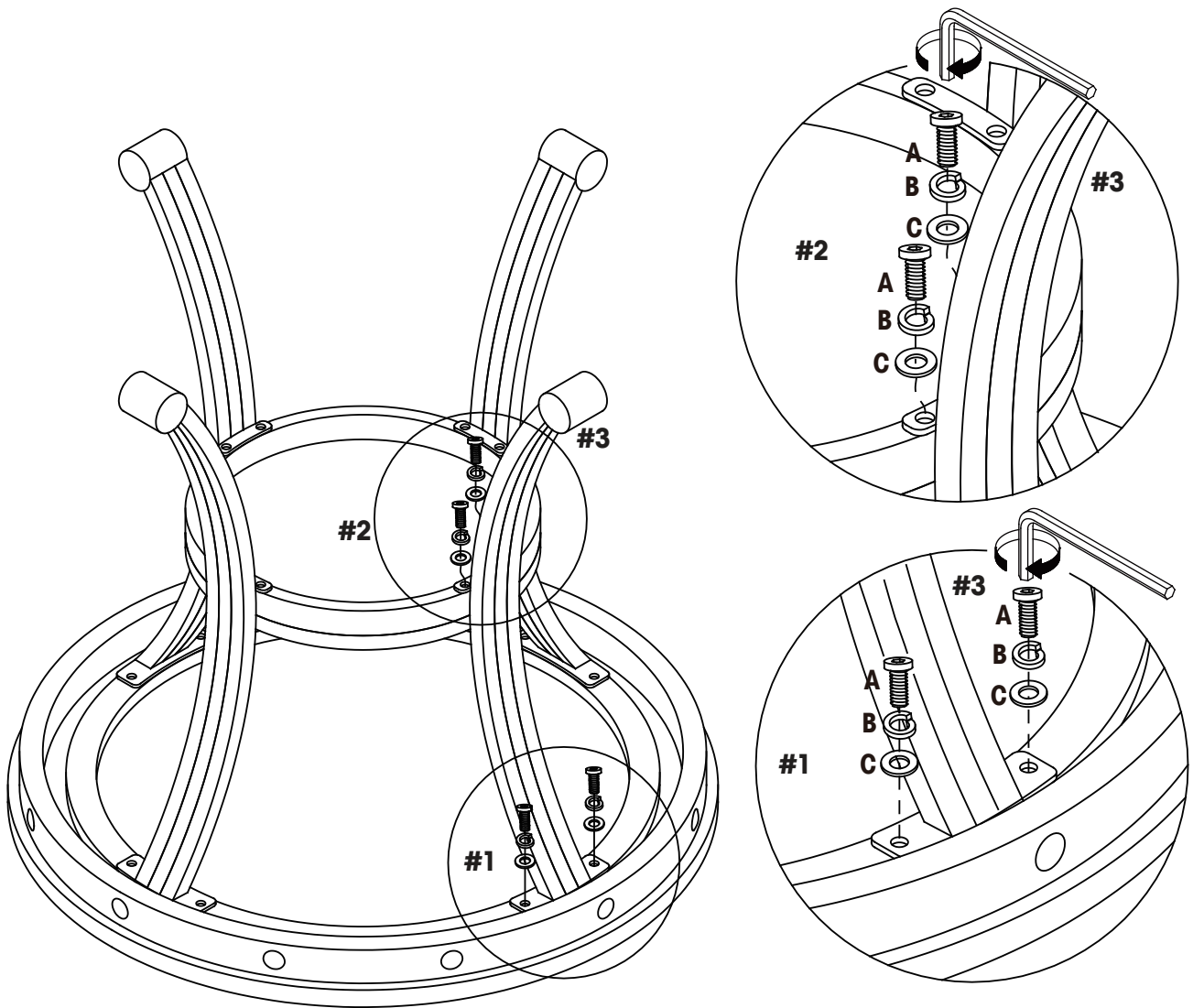
A		06
B		06
C		06

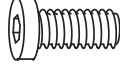


2.



A		06
B		06
C		06

3.



A		04
B		04
C		04

WARRANTY

GARANTIE

GARANTÍA

MADE IN CHINA
FABRIQUÉ EN CHINE
HECHO EN CHINA

