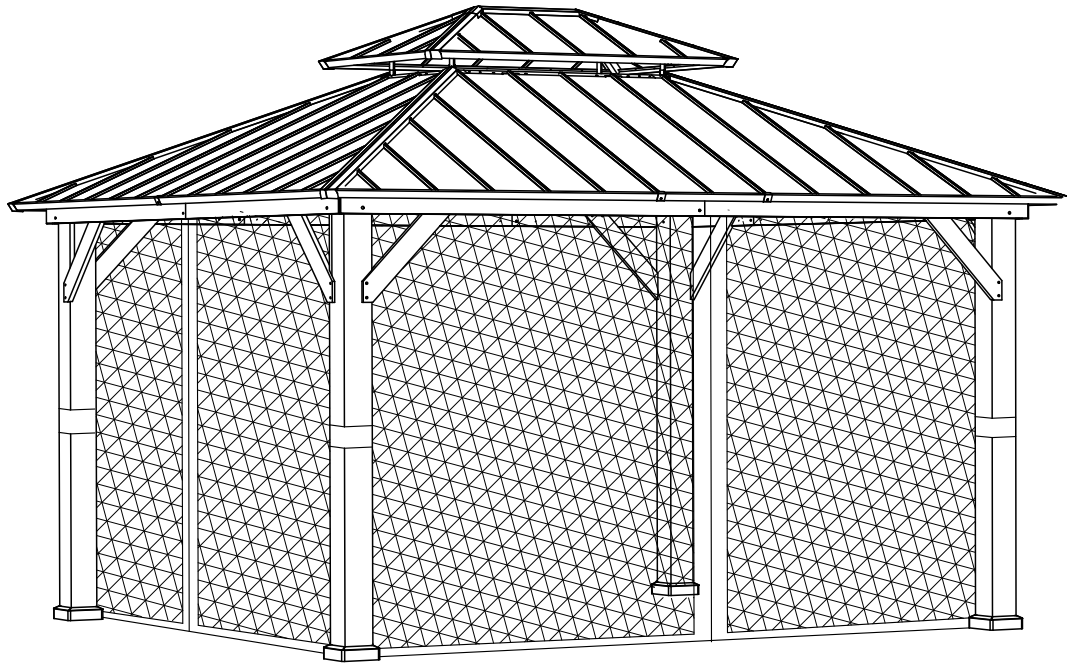


# INSTRUCTION MANUAL



## **11FT x 13 FT Wood Gazebo Series B16**

---

**IF YOU PURCHASED THE GAZEBO ONLINE AND HAVE ANY  
QUESTIONS OR CONCERNS  
PLEASE CONTACT US VIA EMAIL, TEXT OR PHONE**

---

EMAIL: [service2outdoor@gmail.com](mailto:service2outdoor@gmail.com)

TEXT(SMS ONLY): +1 628-263-4608

PHONE: +1 877-561-6450

Date of Manufacture: 25W27

## Warnings and Cautions

Thank you for choosing our gazebo. Please read and understand this entire manual before attempting to assemble or install the product.

### GENERAL BEST PRACTICES FOR ASSEMBLY

1. Please check with your local governing authority/local municipal codes regarding installation and permitting of such structures before assembly.
2. The assembled gazebo should be located at least 6 feet from any obstruction such as fence, garage, house, overhanging branches, laundry lines or electrical wires.
3. Familiarize yourself with the product and check all parts against the packing list. If any parts are missing or damaged, do not install. Contact us immediately.
4. Some parts may contain sharp edges. Wear protective gloves if necessary, during assembly.
5. Assembly process pay attention to the parts orientation.
6. Save all packing materials until assembly is complete to avoid accidentally discarding smaller parts or hardware.

### WARNINGS



**To reduce the risk of serious injury, read the following safety instructions thoroughly before assembling and using the gazebo.**

1. The product is required to be installed on level solid surface and is not intended for unsecured use. The gazebo is to be anchored to the surface with appropriate bolts or anchors. These anchors need to be purchased separately for the specific installation surface. Do not assemble the gazebo on soil, earth, or bare ground.
2. Keep children and pets away from the working area during assembly and adjustments.
3. On snowy days, in order to avoid damage, it is necessary to regularly clear the accumulated snow.

Please do not climb. You can use plastic rakes to remove the excessive snow and ice blocks on the roof. Take corresponding safety precautions to prevent the fallen snow from causing damage.

4. In case of stormy weather, please leave the risky gazebo as they might be damaged by the strong wind.

5. Requires two or more people to assemble and install safely and correctly.

6. Never leave children unsupervised around or under the gazebo.

7. Do not climb onto the gazebo or hanging heavy things on it, The middle hook of the pavilion can bear a load of 50 pounds.

8. If any scratch paint, please touch up to prevent rusting.

9. For outdoor use only. This product has passed the 9-level (54 miles per hour) wind resistance test and the 2100-pound top load-bearing capacity test.

## WARRANTY

### WHAT IS COVERED?

The limited warranty is extended to the original purchaser and applies to material and manufacturer's defect provided the item is maintained with care and used only for personal residential purposes.

Warranty: 1 Year

Lost Accessories or Parts Policy :

Lost accessories or parts costs will be incurred after 90 days of the date of purchase.

TIP: Our products have been designed for safety and quality. Any modifications made to the original product could damage the structural integrity of the product leading to failure and possible injury. We can not assume any responsibility for modified products. Furthermore, modifications void any and all warranties.

## MAINTENANCE

1. Steel components for this gazebo are treated with rust inhibiting paint that protects it from rusting. However, due to the nature of steel, surface oxidation (rusting) will occur if these protective coatings are scratched. This is not a defect and thus not covered by the warranty.
2. To minimize this condition, it is recommended to use care when assembling and handling the product to prevent scratching the paint. Should any scratching or damage occur, it is recommended to cover the scratch immediately with rust inhibiting paint (not included).
3. Surface rust can also be easily removed with a very light application of regular cooking oil or WD-40. If surface oxidation (rusting) occurs and if no measure is taken to prevent this, the oxidation may start dripping onto deck or patio and cause damaging stains, which may be difficult to remove. This can be prevented if the above-mentioned measures are taken to keep the product from oxidizing.
4. Do not use bleach, acid, or other abrasive cleaners on the roof or frame parts.
5. Keep instruction manual for future reference.
6. Periodically check and ensure that all bolts are well-tighten during use.
7. The lumber is Chinese cedar, cedar is the best natural preserved lumber, we have done coating treated to prevent fiber decay and anti-UV. You may redo the coating treated every 1 year on the lumber surface. You could buy the painting in Home depot or Lowe's. Hope this helps.

## Tools Needed (Not Included)



Pistol Drill



Tape Measure



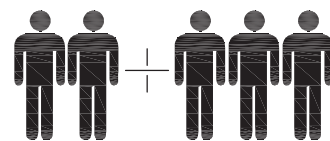
Hammer



Screwdriver


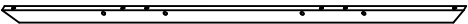



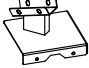


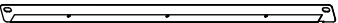


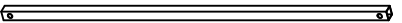
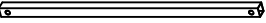
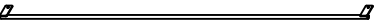




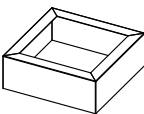
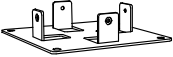
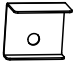


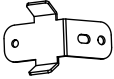
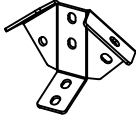
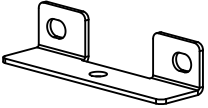
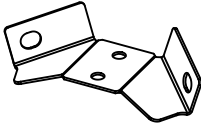
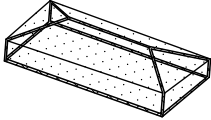


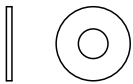
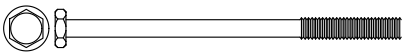

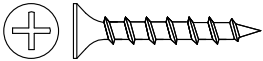

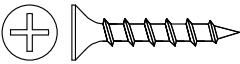
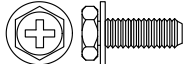
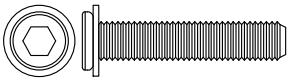
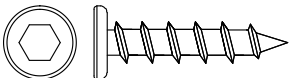
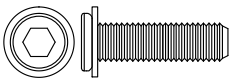
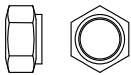
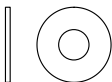
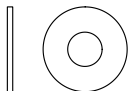
Ladder

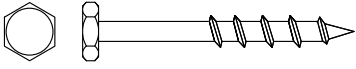
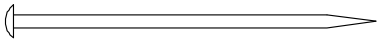
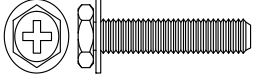
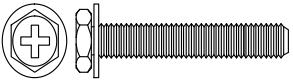
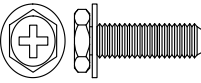







5 people

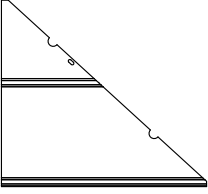
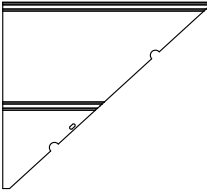
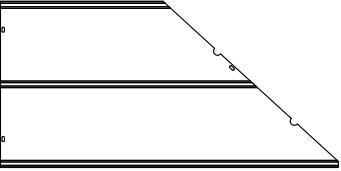
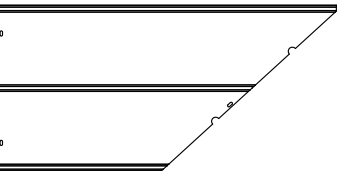
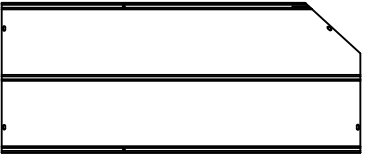
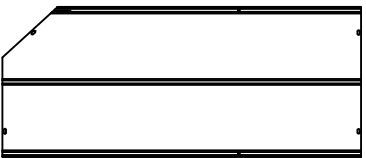




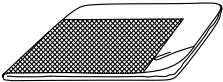
## Parts List (Box 1)

<p><b>D</b></p>  <p>Top Roof Connector</p>	<p><b>E11</b></p>  <p>Big Roof Long Side Tube</p>	<p><b>E12</b></p>  <p>Big Roof Short Side Tube</p>
<p>1 PC</p>	<p>2 PCS</p>	<p>2 PCS</p>
<p><b>F8</b></p>  <p>Top Roof Side Beam</p>	<p><b>G8</b></p>  <p>Side Beam</p>	<p><b>I1</b></p>  <p>Side Beam Lower Connector</p>
<p>4 PCS</p>	<p>4 PCS</p>	<p>4 PCS</p>
<p><b>K1</b></p>  <p>Big Roof Left Lower Tube</p>	<p><b>K2</b></p>  <p>Big Roof Right Lower Tube</p>	<p><b>K3</b></p>  <p>Long Roof Middle Lower Tube</p>
<p>4 PCS</p>	<p>4 PCS</p>	<p>2 PCS</p>
<p><b>K4</b></p>  <p>Top Roof Short Tube</p>	<p><b>K5</b></p>  <p>Top Roof Long Tube</p>	<p><b>L12</b></p>  <p>Big Roof Down Beam</p>
<p>2 PCS</p>	<p>2 PCS</p>	<p>8 PCS</p>
<p><b>L13</b></p>  <p>Big Roof Mid Side Beam</p>	<p><b>M4</b></p>  <p>Screen Short Tube</p>	<p><b>M5</b></p>  <p>Screen Long Tube</p>
<p>4 PCS</p>	<p>4 PCS</p>	<p>4 PCS</p>
<p><b>R1</b></p>  <p>Top Roof Middle Cover</p>	<p><b>R11</b></p>  <p>Side Cover</p>	<p><b>R6</b></p>  <p>Top Roof Side Cover</p>
<p>1 PC</p>	<p>4 PCS</p>	<p>4 PCS</p>
<p><b>B1</b></p>  <p>Base Cover</p>	<p><b>C1</b></p>  <p>Base</p>	<p><b>Q</b></p>  <p>Middle Closure Plate</p>
<p>4 PCS</p>	<p>4 PCS</p>	<p>6 pcs</p>

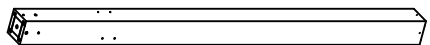
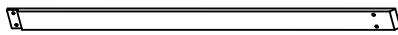
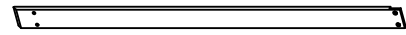
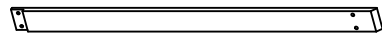

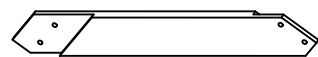
W1		W2		W3	
	Middle Beam Lower Connector				
	6 PCS		4 PCS		12 PCS
W6		U4		A	
					Spacer
	8 PCS		1 PC		14 PCS
T		V			
	Plastic ring		Rubber Gasket		
	44 PCS		32 PCS		
<b>Hardware List</b>					
AA		BB		CC	
	Hex Head Bolt M10x185		Flat Washer M6		Self-tapping Screw M5x40
	8 PCS		8 PCS		64 PCS
DD		EE		GG	
	Nut M6		Self-tapping Screw M5x30		Hex Head Bolt M6x15
	8 PCS		54 PCS		186 PCS
HH		II		KK	
	Hexagon Socket Bolt M8x35		Self-tapping Screw M8x35		Hexagon Socket Bolt M8x25
	16 PCS		16 PCS		24 PCS
LL		MM		NN	
	Non-Slip Nut M10		Washer M8		Washer, M10
	8 PCS		16 PCS		24 PCS

<p>OO</p>  <p>Hex Head Screw M10x80</p> <p>8 PCS</p>	<p>PP</p>  <p>Stake φ8x180</p> <p>8 PCS</p>	<p>QQ</p>  <p>Hex Head Bolt M6x40</p> <p>24 PCS</p>	
<p>SS</p>  <p>Hex Head Bolt M6x60</p> <p>2 PCS</p>	<p>TT</p>  <p>Hex Head Bolt M6x25</p> <p>6 PCS</p>	<p>RR</p>  <p>M3 Drill</p> <p>2 PCS</p>	
<p>Z1</p>  <p>Wrench, M6</p> <p>2 PCS</p>	<p>Z2</p>  <p>Allen Key, M8</p> <p>2 PCS</p>	<p>Z4</p>  <p>Wrench, M10</p> <p>2 PCS</p>	<p>P</p>  <p>Hook, M8</p> <p>1 PC</p>

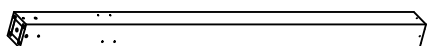

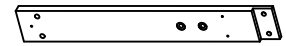
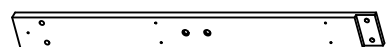
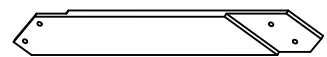
**Parts List (Box 2)**

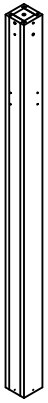
<p>Y1</p>  <p>Left Small Cover Plate</p> <p>8 PCS</p>	<p>Y2</p>  <p>Right Small Cover Plate</p> <p>8 PCS</p>	<p>Y3</p>  <p>Big Roof Left Middle Cover Plate</p> <p>4 PCS</p>
<p>Y4</p>  <p>Big Roof Right Middle Cover Plate</p> <p>4 PCS</p>	<p>Y9</p>  <p>Big Roof Left Big Cover Plate</p> <p>4 PCS</p>	<p>Y10</p>  <p>Big Roof Right Big Cover Plate</p> <p>4 PCS</p>
<p>Y8</p>  <p>Top Roof Middle Cover Plate</p> <p>2 PCS</p>	<p>Y11</p>  <p>Big Roof Middle Cover Plate</p> <p>2 PCS</p>	<p>H8</p>  <p>Middle Beam</p> <p>6 PCS</p>
<p>L11</p>  <p>Big Roof Up Beam</p> <p>8 PCS</p>	<p>U2</p>  <p>Mosquito netting</p> <p>1 PC</p>	

### Parts List (Box 3)

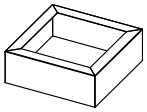
<div style="border: 1px solid black; padding: 2px; width: fit-content; margin-bottom: 5px;">48-1</div>  <p style="text-align: center;">Post</p> <p style="text-align: center;">2 PCS</p>	<div style="border: 1px solid black; padding: 2px; width: fit-content; margin-bottom: 5px;">41</div>  <p style="text-align: center;">Outer Long Left Beam (Long)</p> <p style="text-align: center;">2 PCS</p>	<div style="border: 1px solid black; padding: 2px; width: fit-content; margin-bottom: 5px;">42</div>  <p style="text-align: center;">Outer Long Right Beam (Long)</p> <p style="text-align: center;">2 PCS</p>
<div style="border: 1px solid black; padding: 2px; width: fit-content; margin-bottom: 5px;">43</div>  <p style="text-align: center;">Outer Long Left Beam (Short)</p> <p style="text-align: center;">2 PCS</p>	<div style="border: 1px solid black; padding: 2px; width: fit-content; margin-bottom: 5px;">44</div>  <p style="text-align: center;">Outer Long Right Beam (Short)</p> <p style="text-align: center;">2 PCS</p>	<div style="border: 1px solid black; padding: 2px; width: fit-content; margin-bottom: 5px;">39-1-1</div>  <p style="text-align: center;">Arc Support 2</p> <p style="text-align: center;">4 PCS</p>

### Parts List (Box 4)

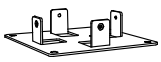
<div style="border: 1px solid black; padding: 2px; width: fit-content; margin-bottom: 5px;">48-1</div>  <p style="text-align: center;">Post</p> <p style="text-align: center;">2 PCS</p>	<div style="border: 1px solid black; padding: 2px; width: fit-content; margin-bottom: 5px;">45</div>  <p style="text-align: center;">Inner Middle Beam</p> <p style="text-align: center;">4 PCS</p>	<div style="border: 1px solid black; padding: 2px; width: fit-content; margin-bottom: 5px;">46</div>  <p style="text-align: center;">Inner Short Beam (Short)</p> <p style="text-align: center;">4 PC</p>
<div style="border: 1px solid black; padding: 2px; width: fit-content; margin-bottom: 5px;">47</div>  <p style="text-align: center;">Inner Short Beam (Long)</p> <p style="text-align: center;">4 PCS</p>	<div style="border: 1px solid black; padding: 2px; width: fit-content; margin-bottom: 5px;">40-1-1</div>  <p style="text-align: center;">Arc Support 1</p> <p style="text-align: center;">4 PCS</p>	



48-1 x4

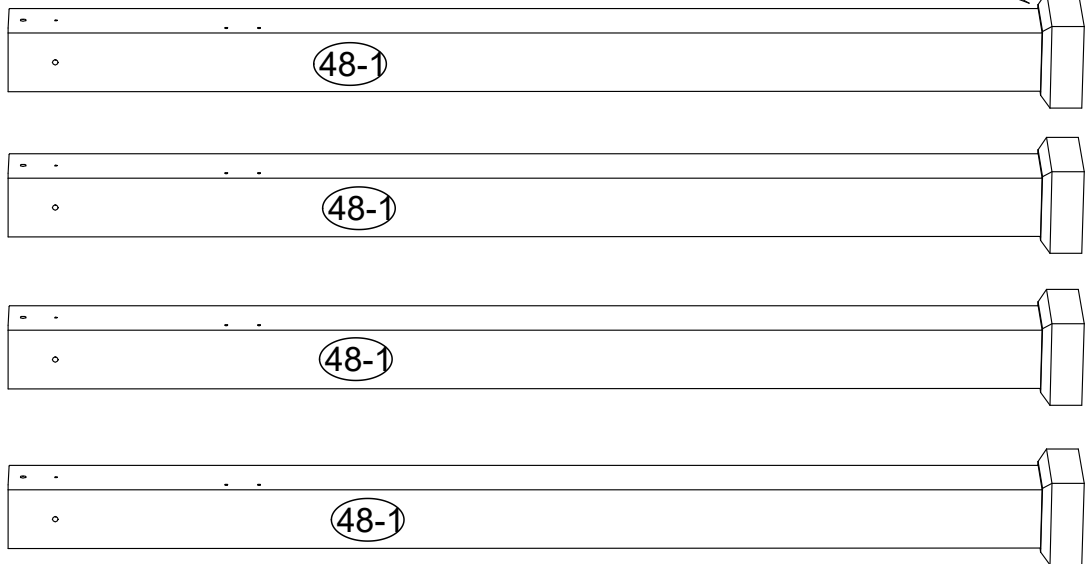
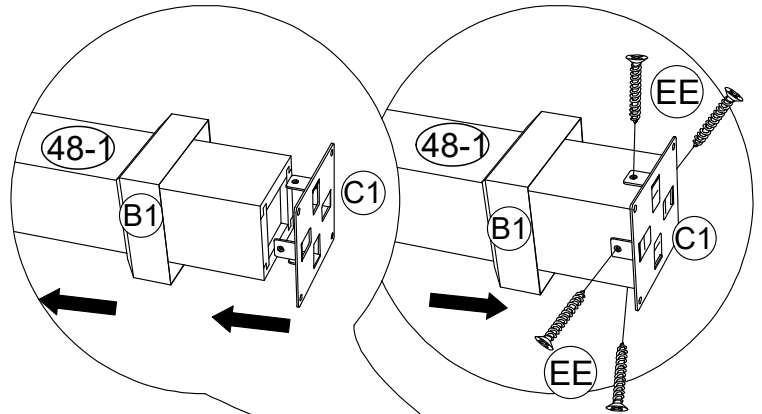


B1 x4



C1 x4

<1>



M5x30

EE x16

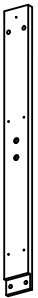
<2>



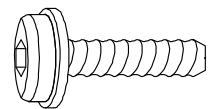
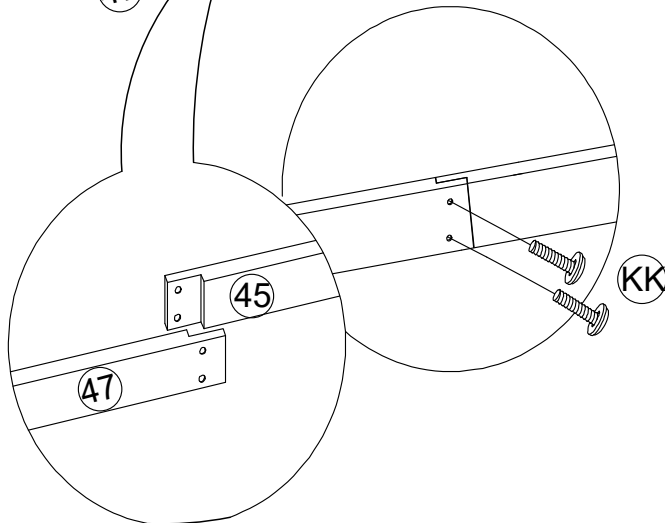
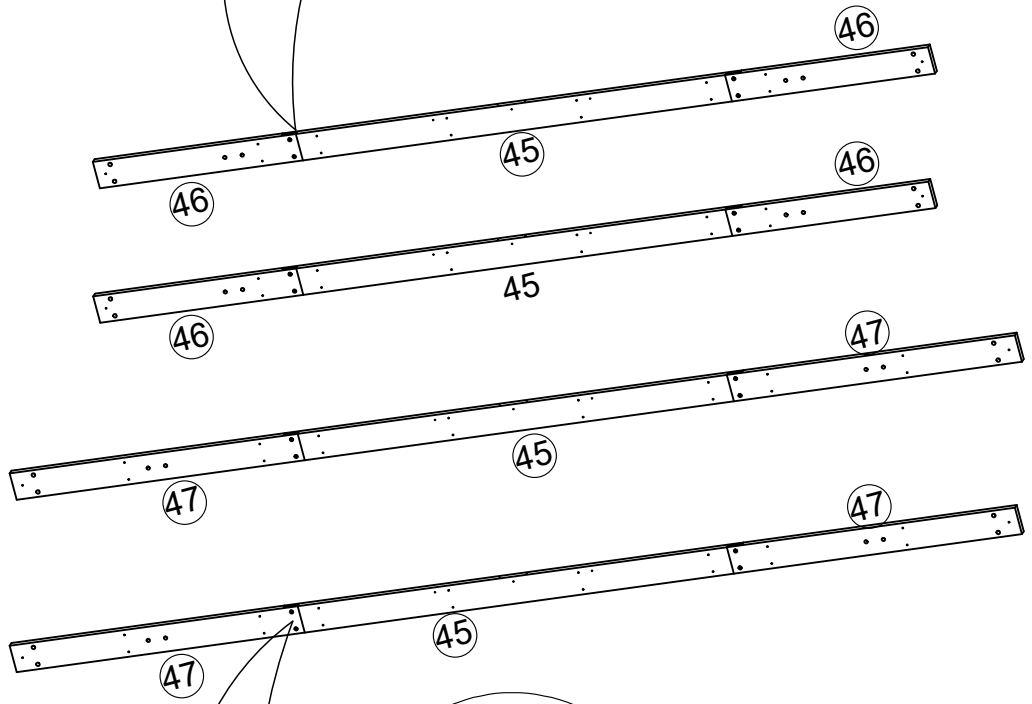
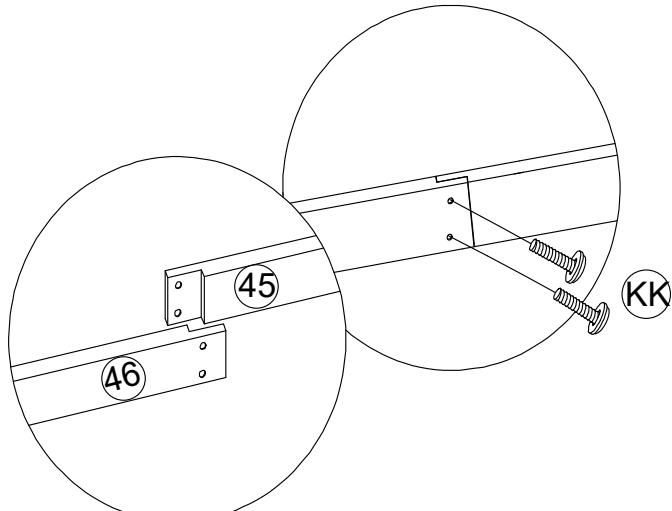
45 x4



46 x4



47 x4



M8x25

KK x16

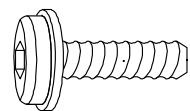
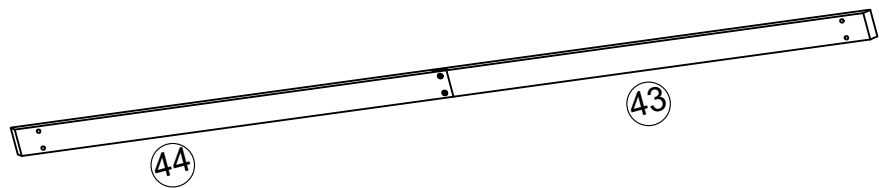
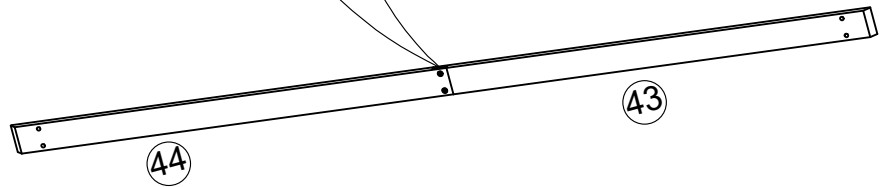
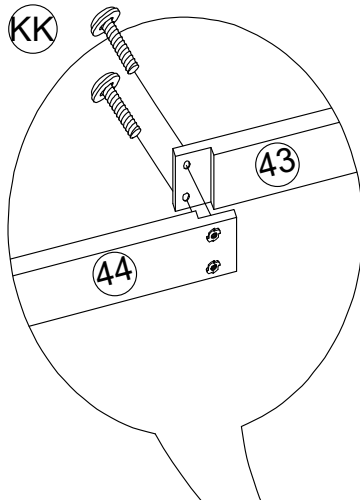
<3>



43 x2



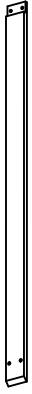
44 x2



M8x25

KK x4

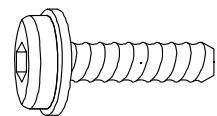
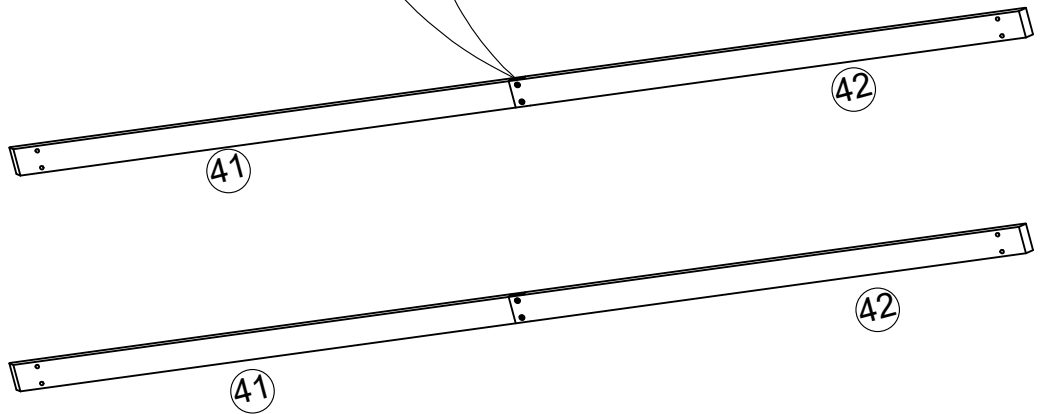
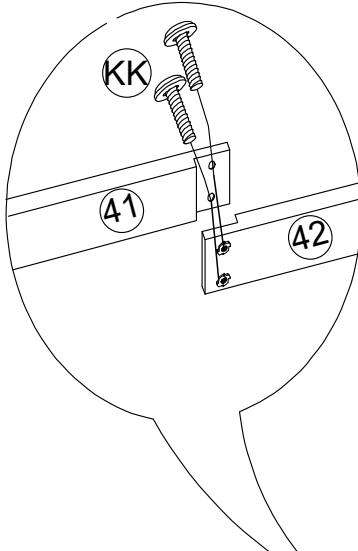
<4>



41 x2



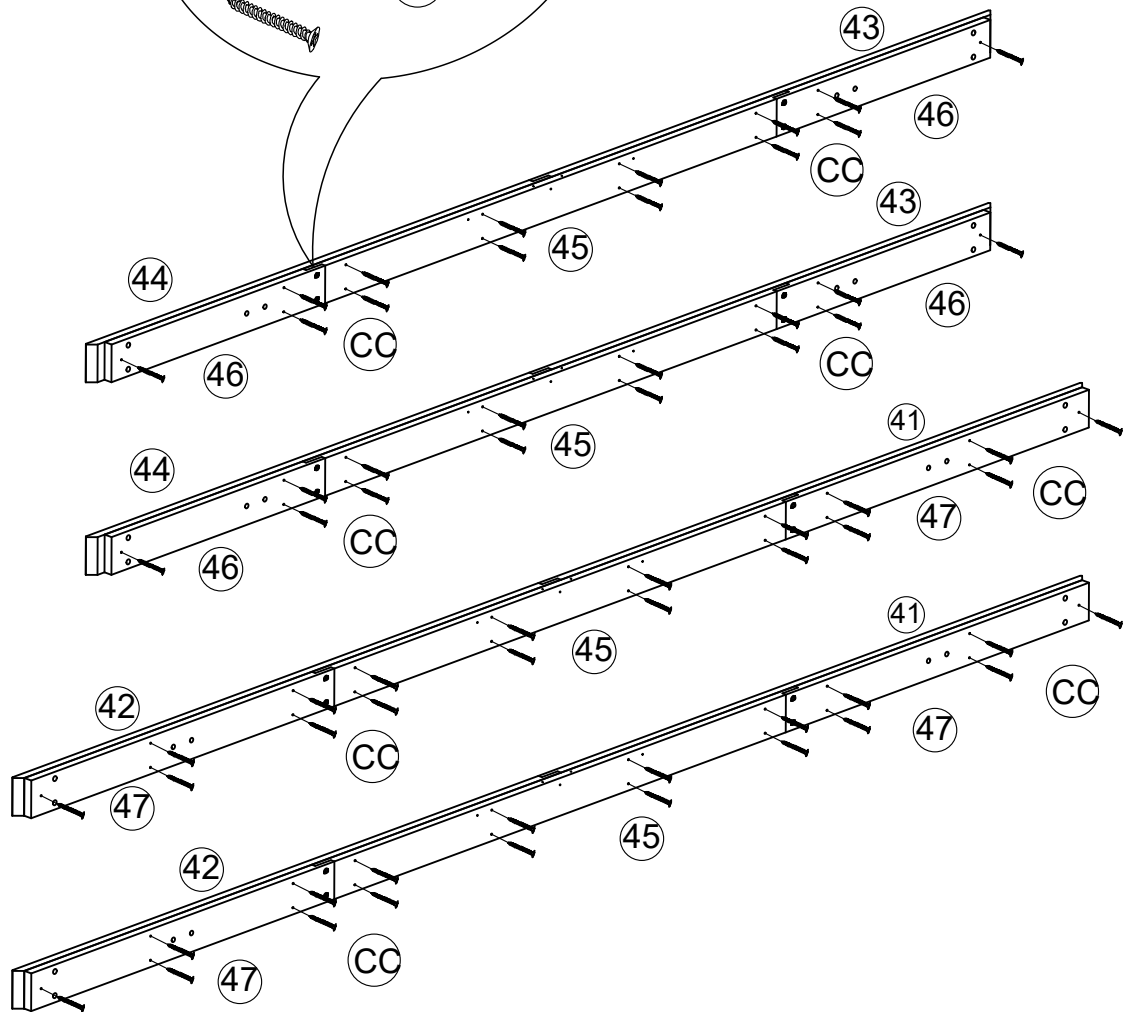
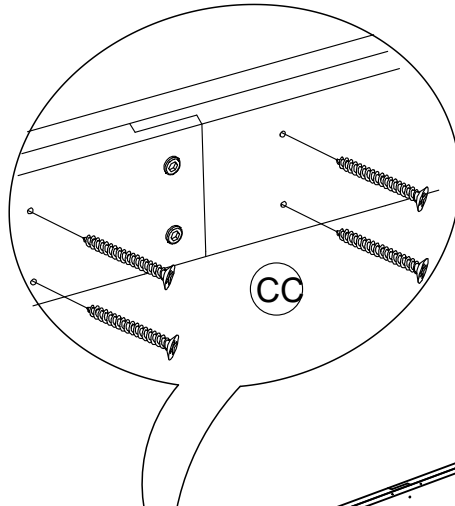
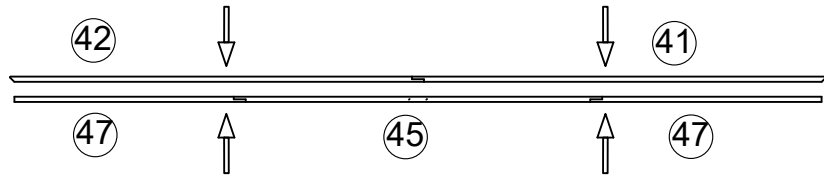
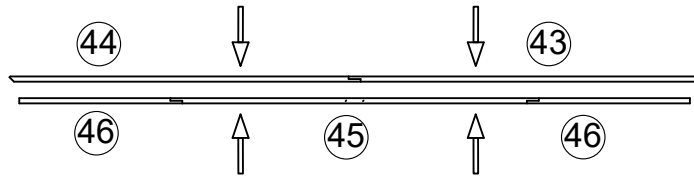
42 x2



M8x25

KK x4

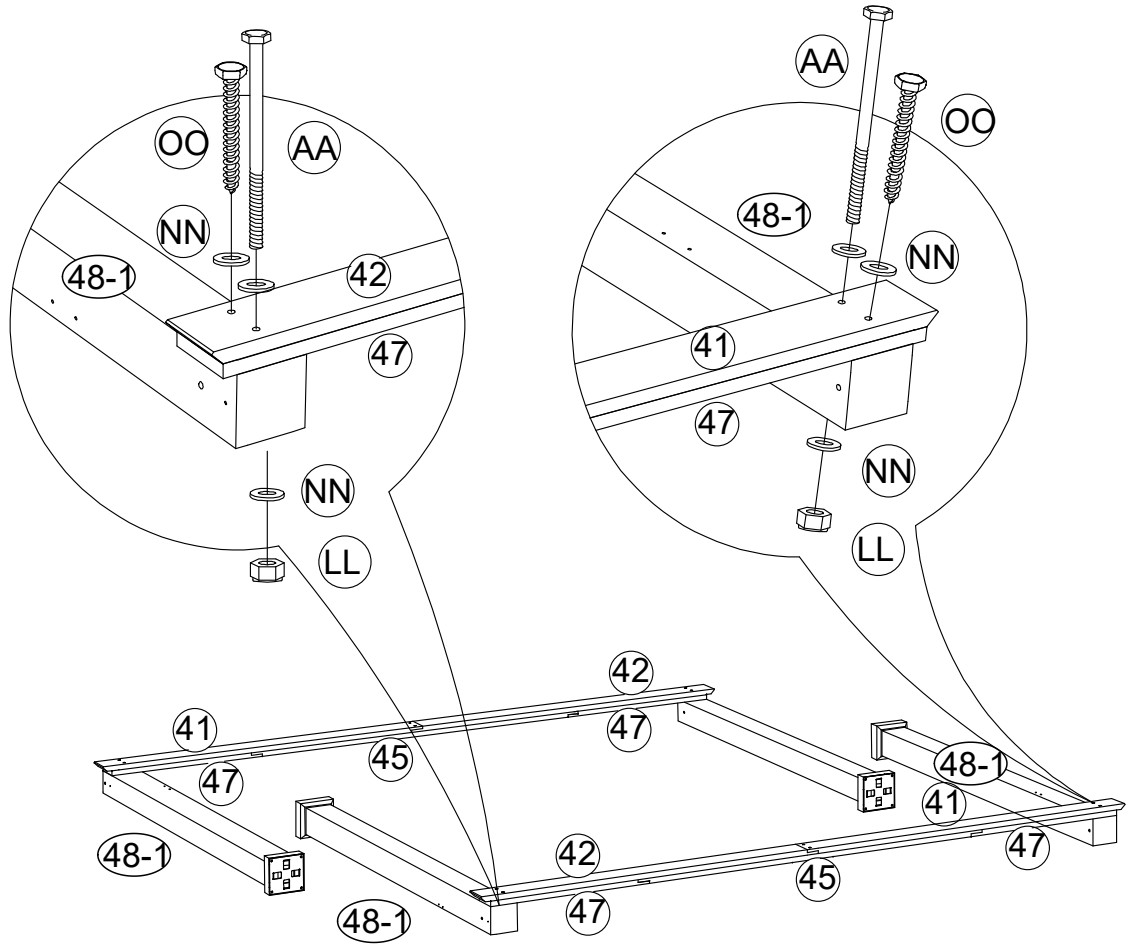
<5>



M5x40-1

CCx64

<6>



M10

LL x4



M10

NN x12



M10x80

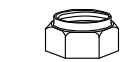
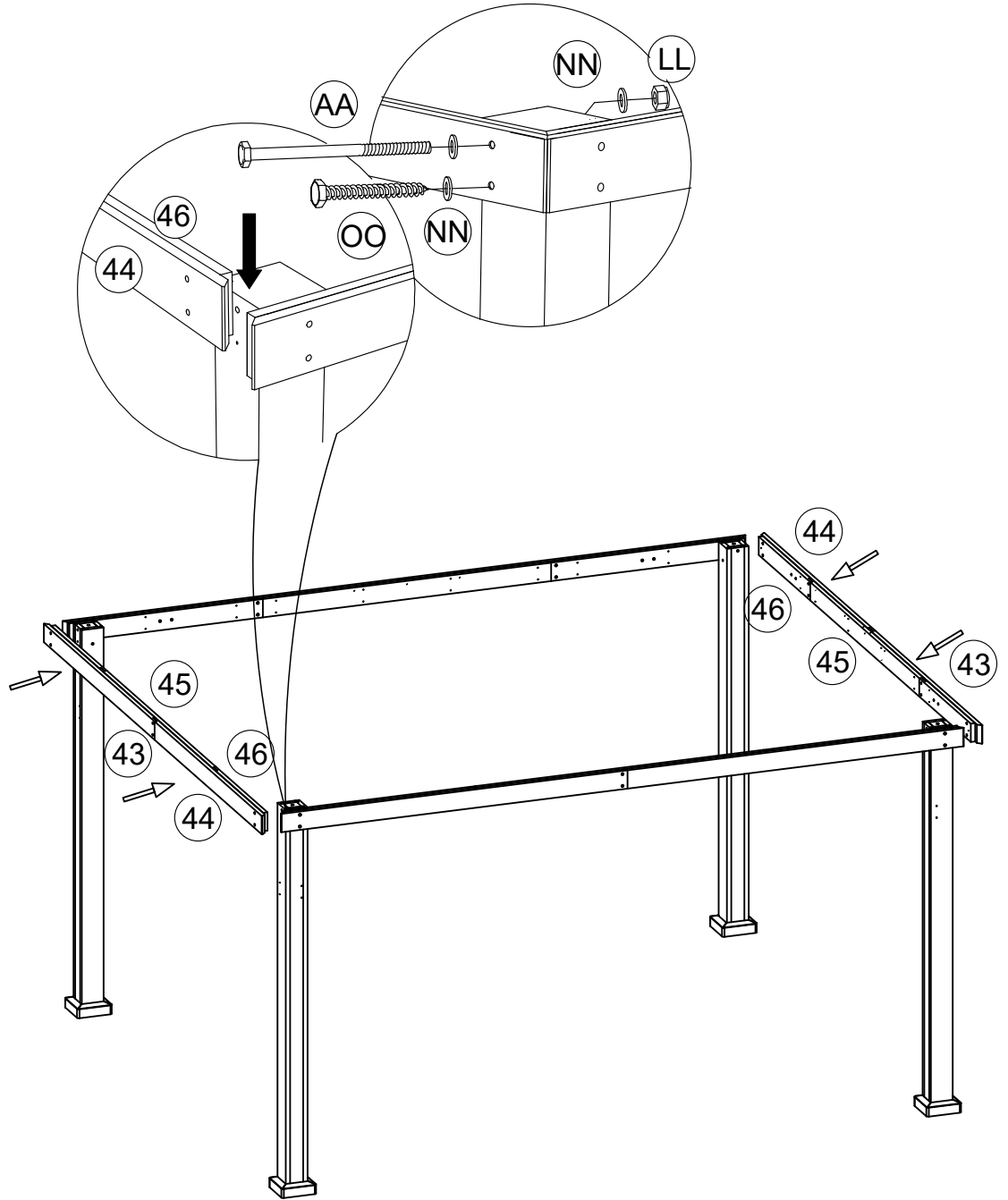
OO x4



M10x185

AA x4

<7>



M10

LL x4



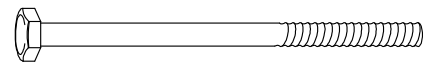
M10

NN x12



M10x80

OO x4

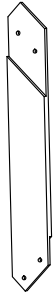


M10x185

AA x4



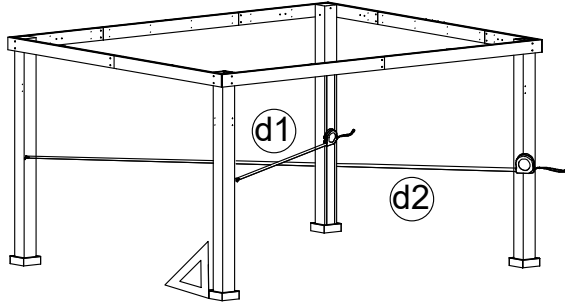
40-1 x4



39-1 x4

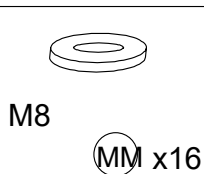
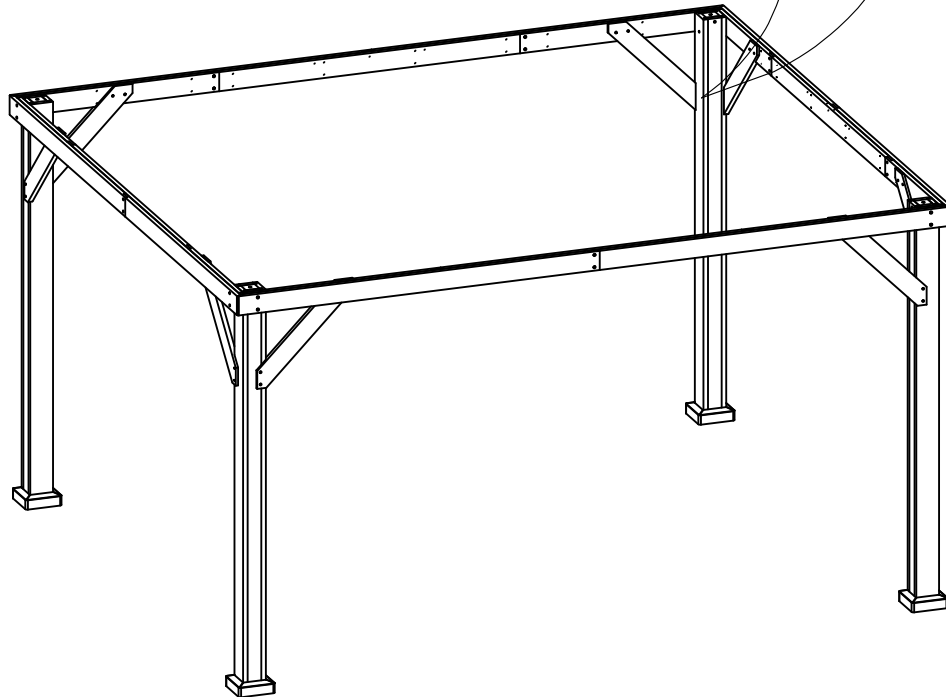
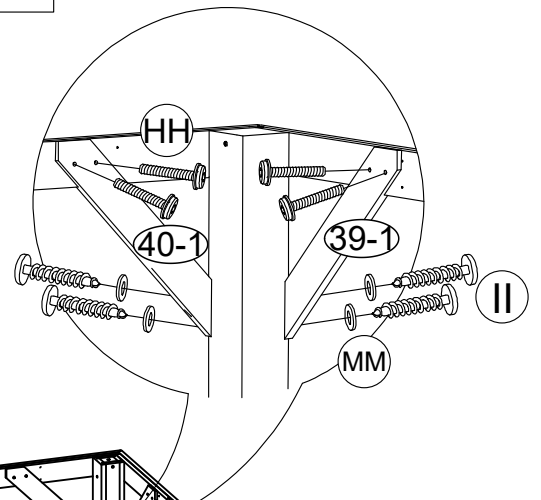
<8>

i d1=d2



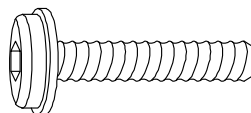
Rt=90°

Tips: Please measure to make sure the length of d1 is equal to d2 before moving to next step to ensure a square frame and best results. Keep the beam at right angles to the post, the post at right angles to the ground, and keep the beam horizontal.



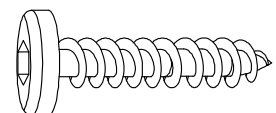
M8

MM x16



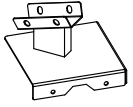
M8 x35

HH x16



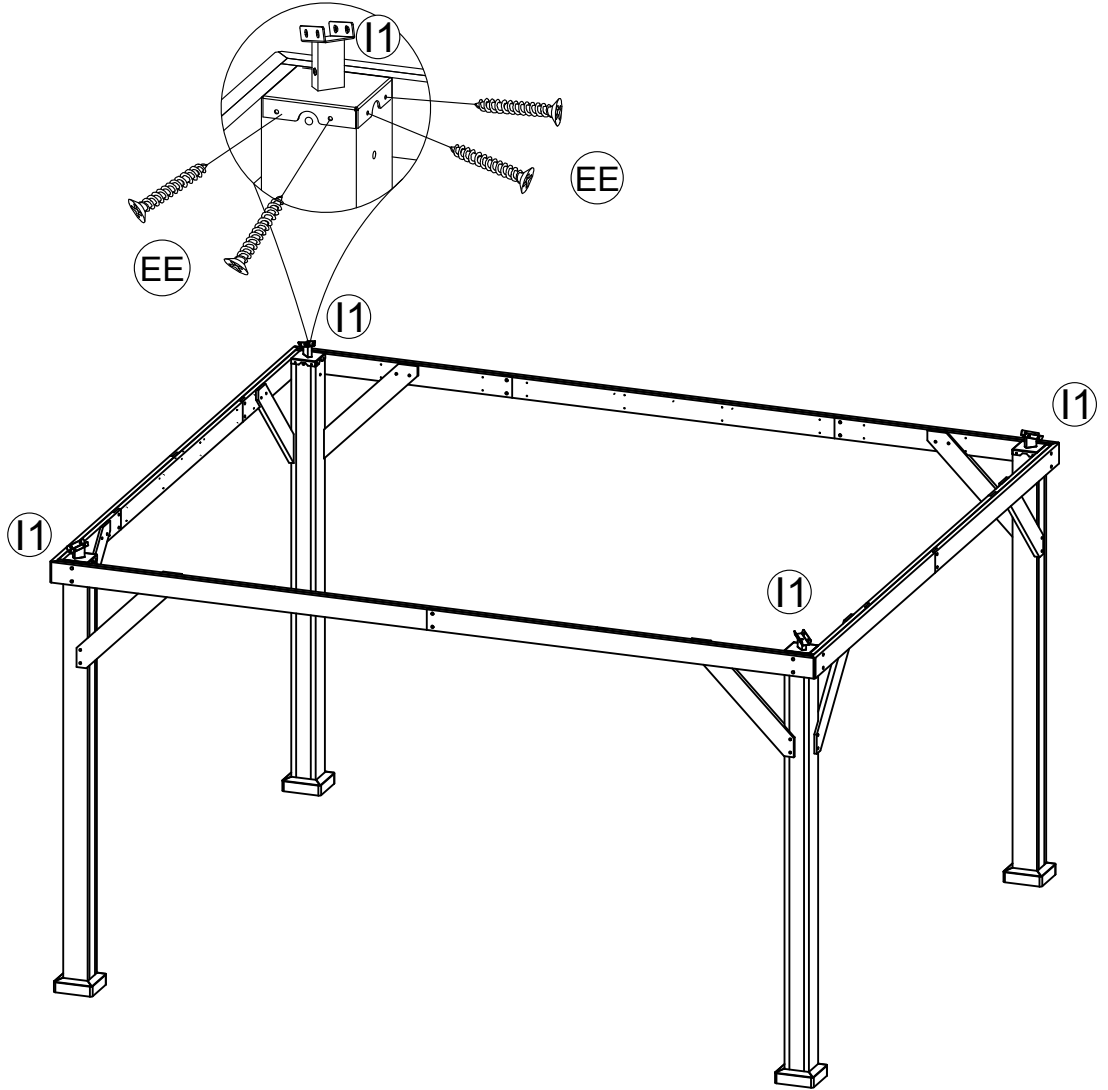
M8x35

II x16



11 x4

<9>



M5x30

EE x16

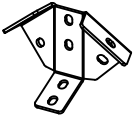
<10>



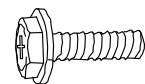
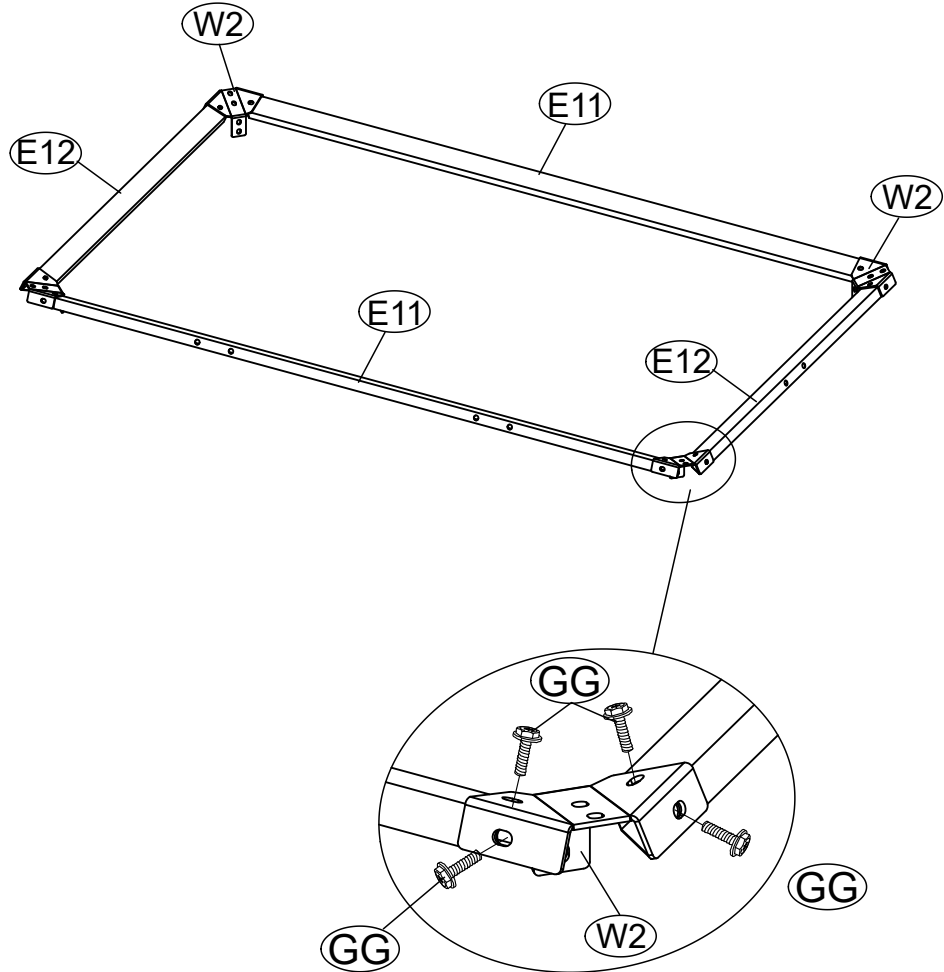
E11 x4



E12 x4



W2 x4



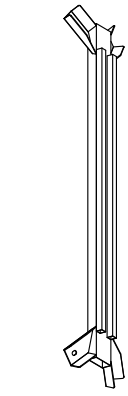
M6x15

GG x16

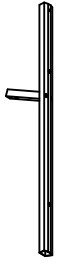
<11>

step 11a

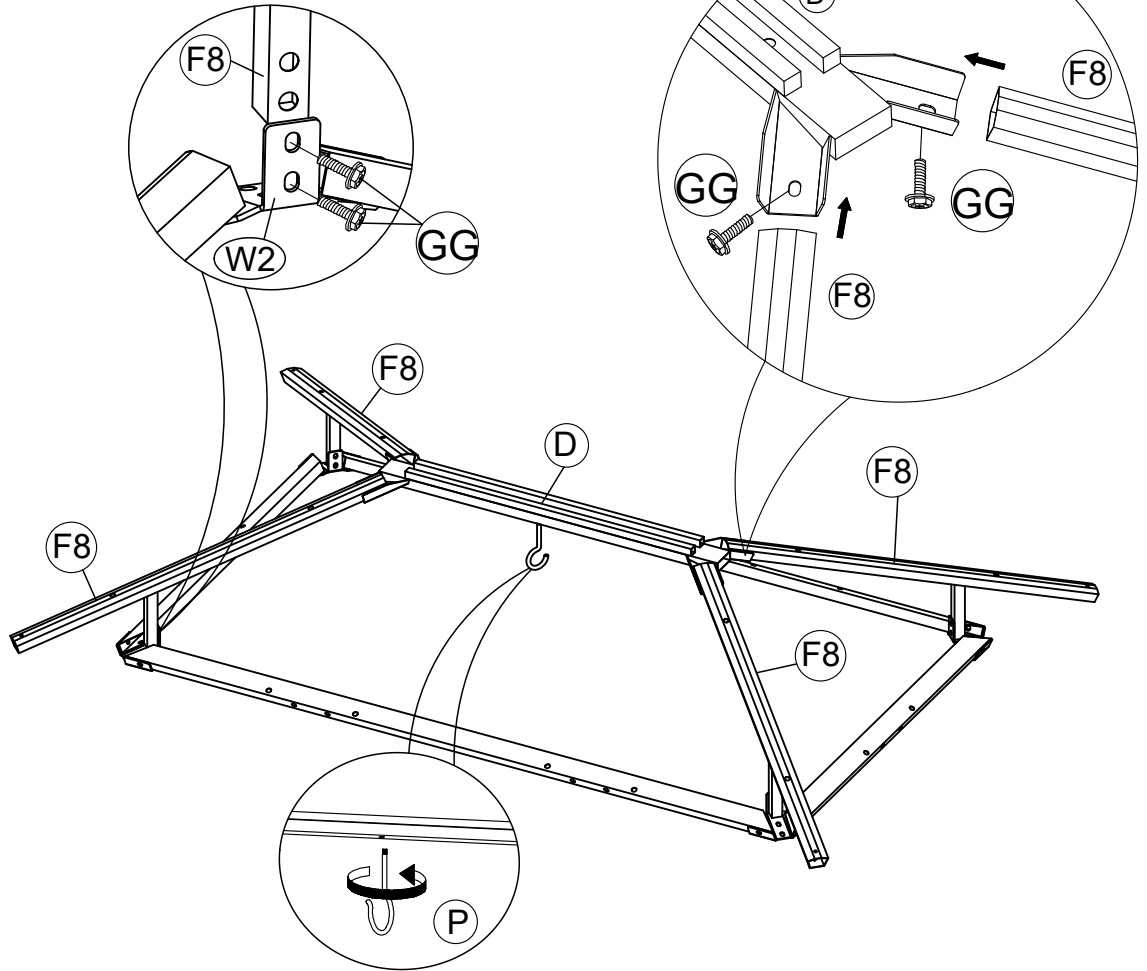
step 11b



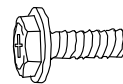
(D) x1



(F8) x4



(P) x1



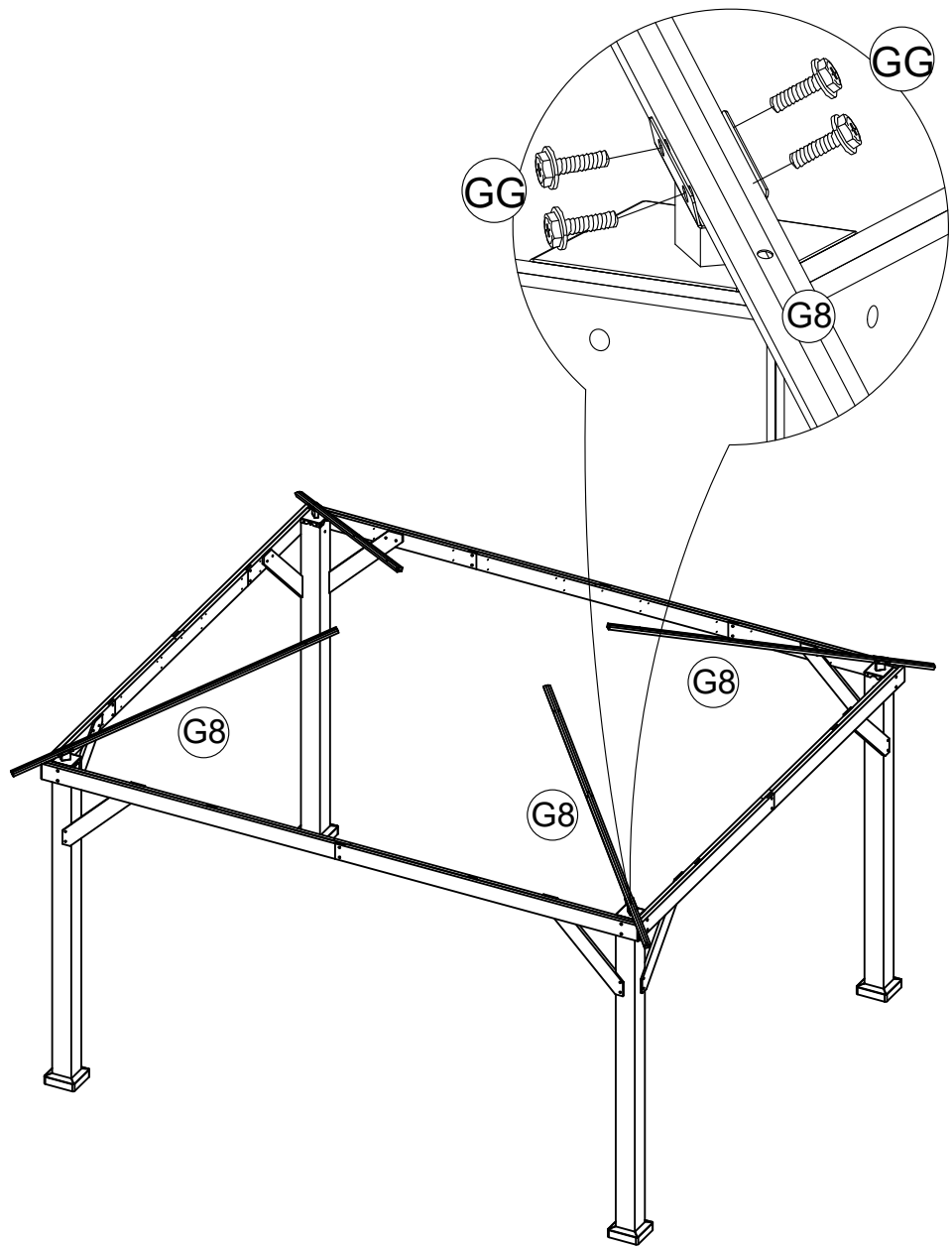
M6x15

(GG) x12

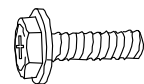
<12>



G8 x4



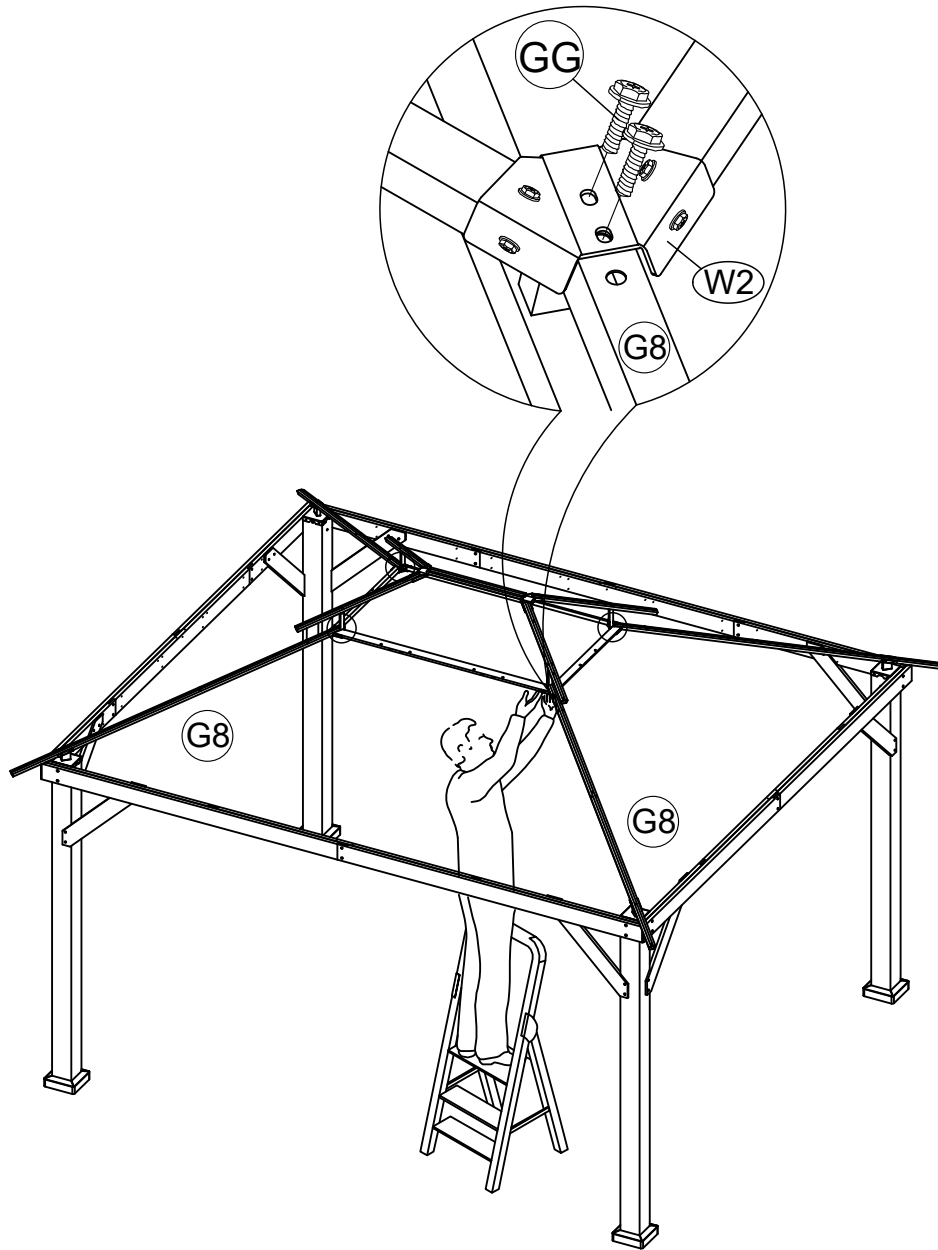
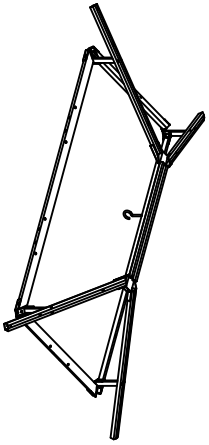
Attention: Please double check that all #11(Side Beam Lower Connector) have been secured properly, or there will be a risk of falling.



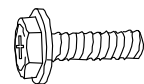
M6x15

GG x16

<13>



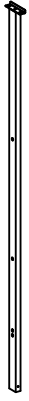
Tip: This step requires more than 2 people to cooperate with the assembly!



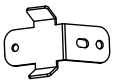
M6x15

GG x8

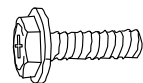
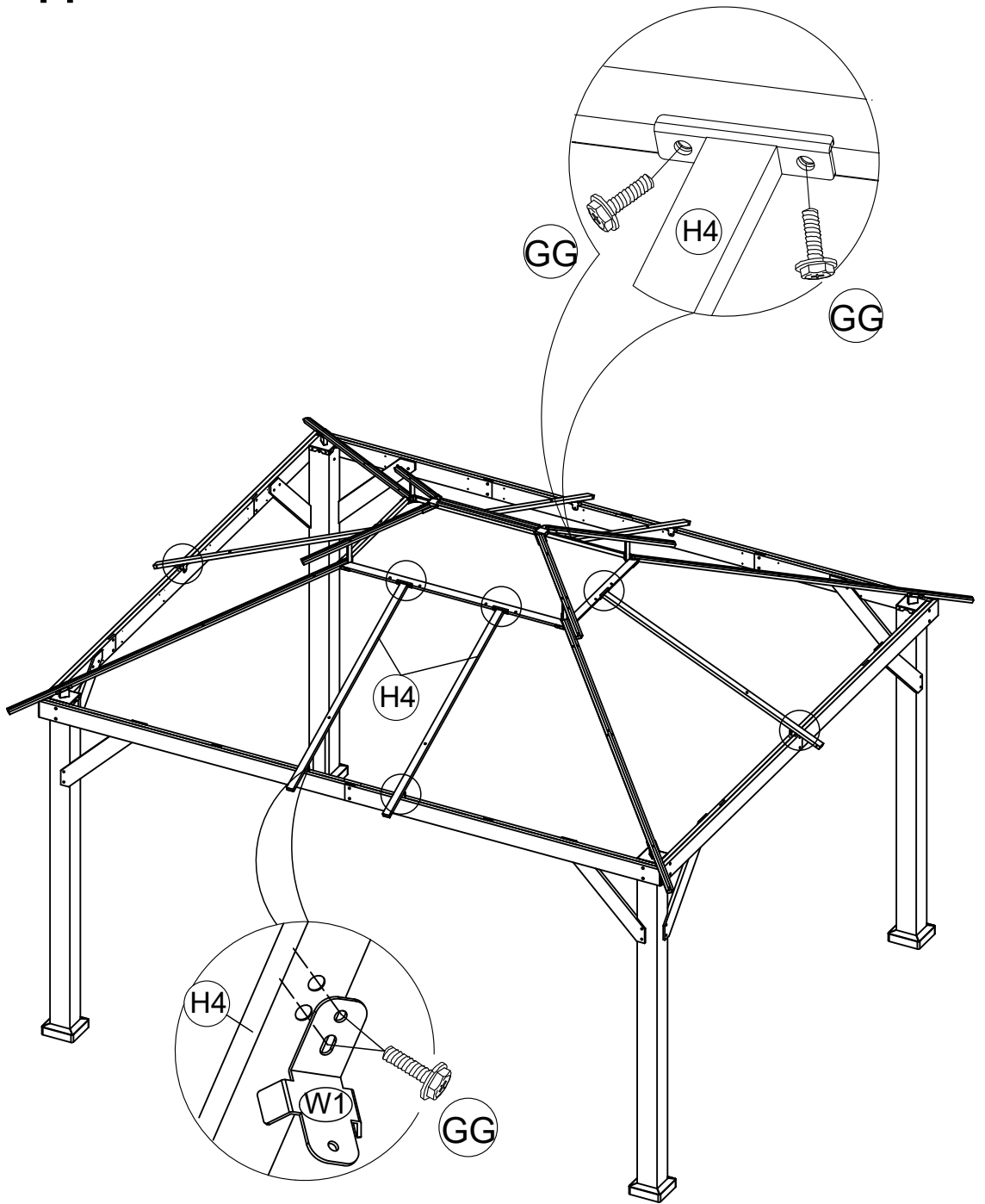
<14>



H4 x6



W1 x6



M6x15

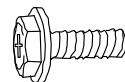
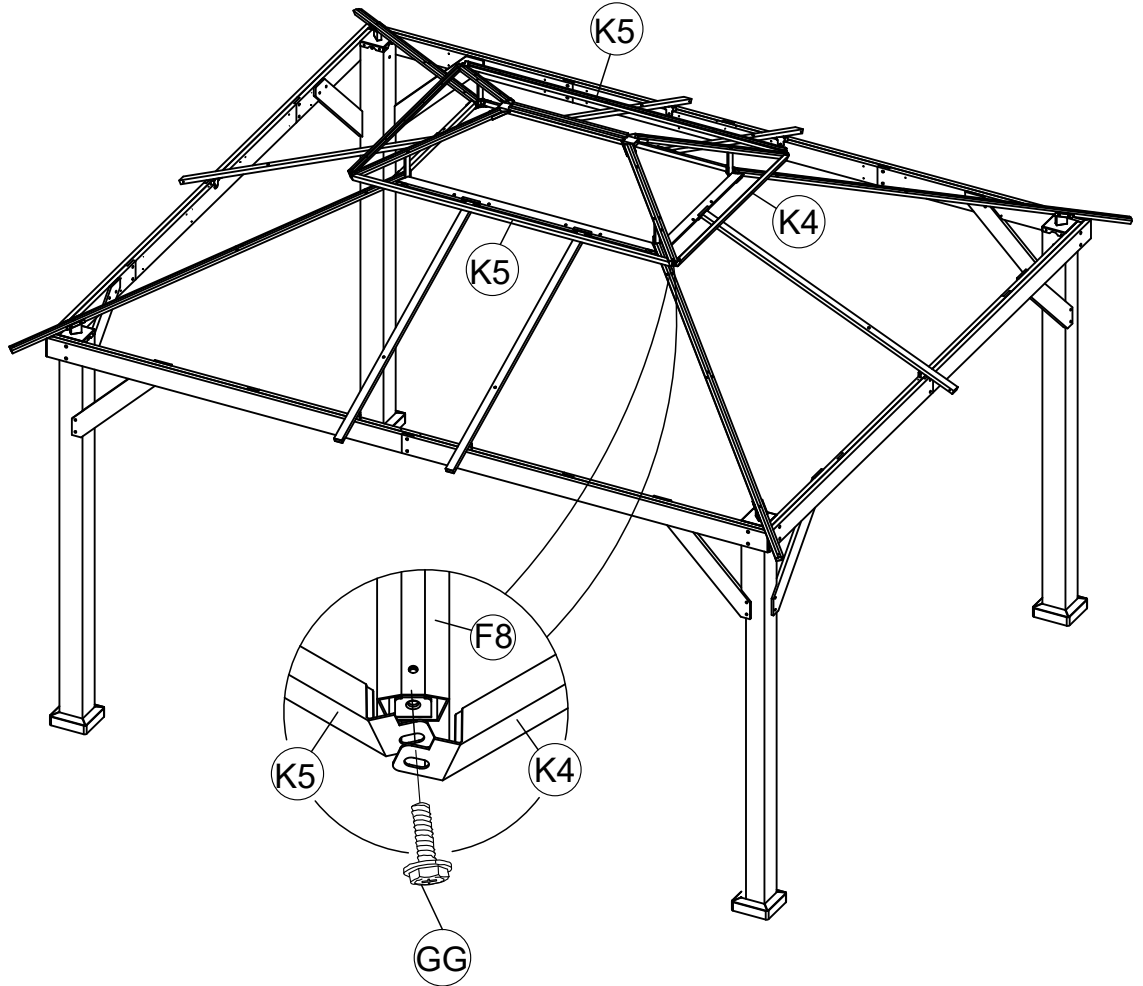
GG x24

<15>

K4 x2



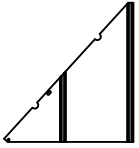
K5 x2



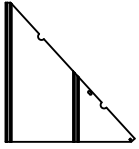
M6x15

GGx4

<16>



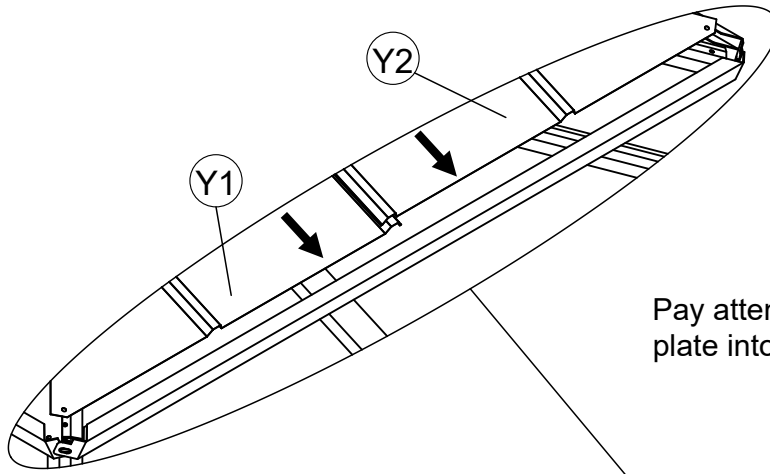
Y1 x4



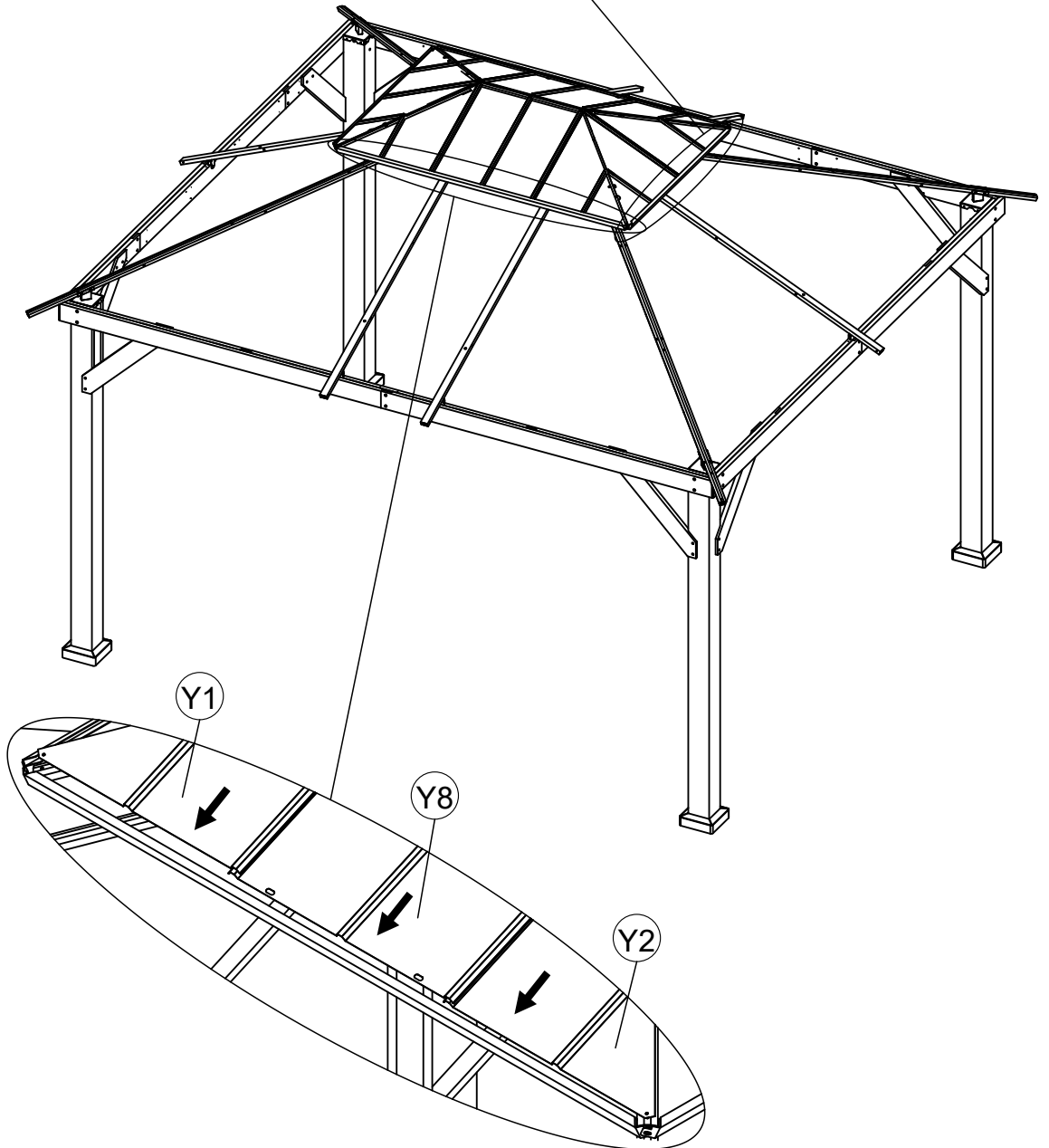
Y2 x4



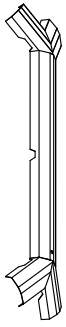
Y8 x2



Pay attention to inserting the iron plate into the slot during installation



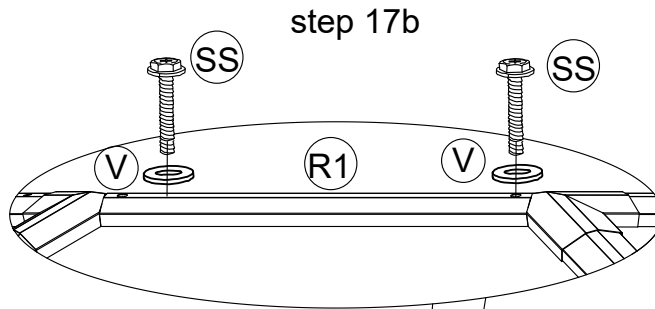
<17>



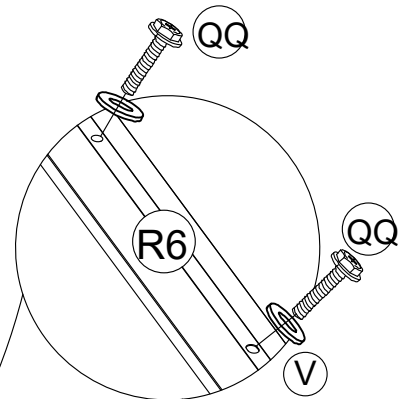
R1 x1



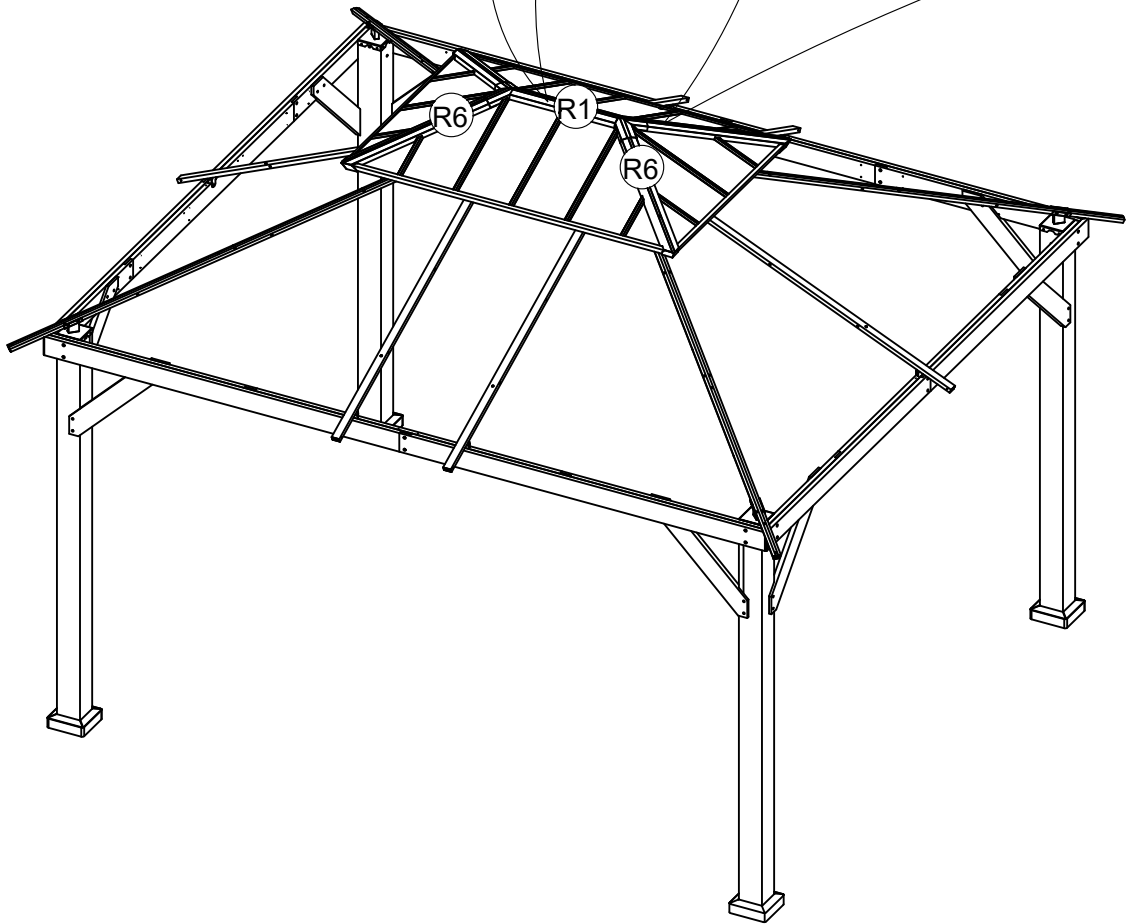
R6 x4



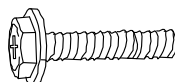
step 17b



step 17a

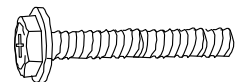


V x10



M6 x 40

QQ x8



M6x60

SS x2

# <18>

Tip: Please do not lock the screws until all parts are in place.

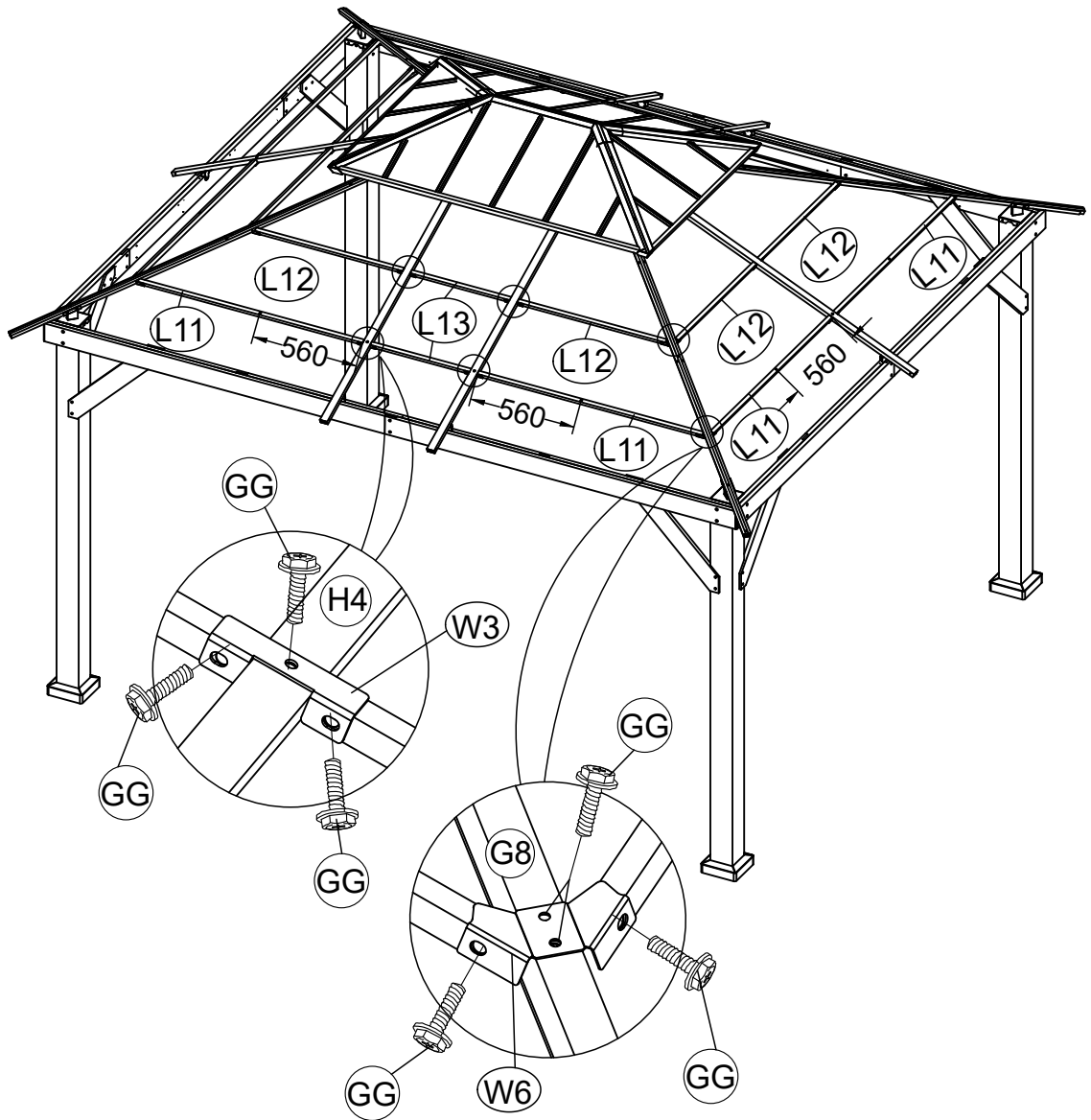
L11 x8

L12 x8

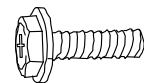
L13 x4

W3 x12

W6 x8



Attention: If the #L1, #L6, #L3, can not be matched perfectly, you could rap the #H4 slight to adjust.



M6 x15

GG x 68

# <19>

Tip: Please do not lock the screws until all parts are in place.

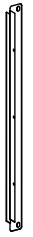
K1 x4



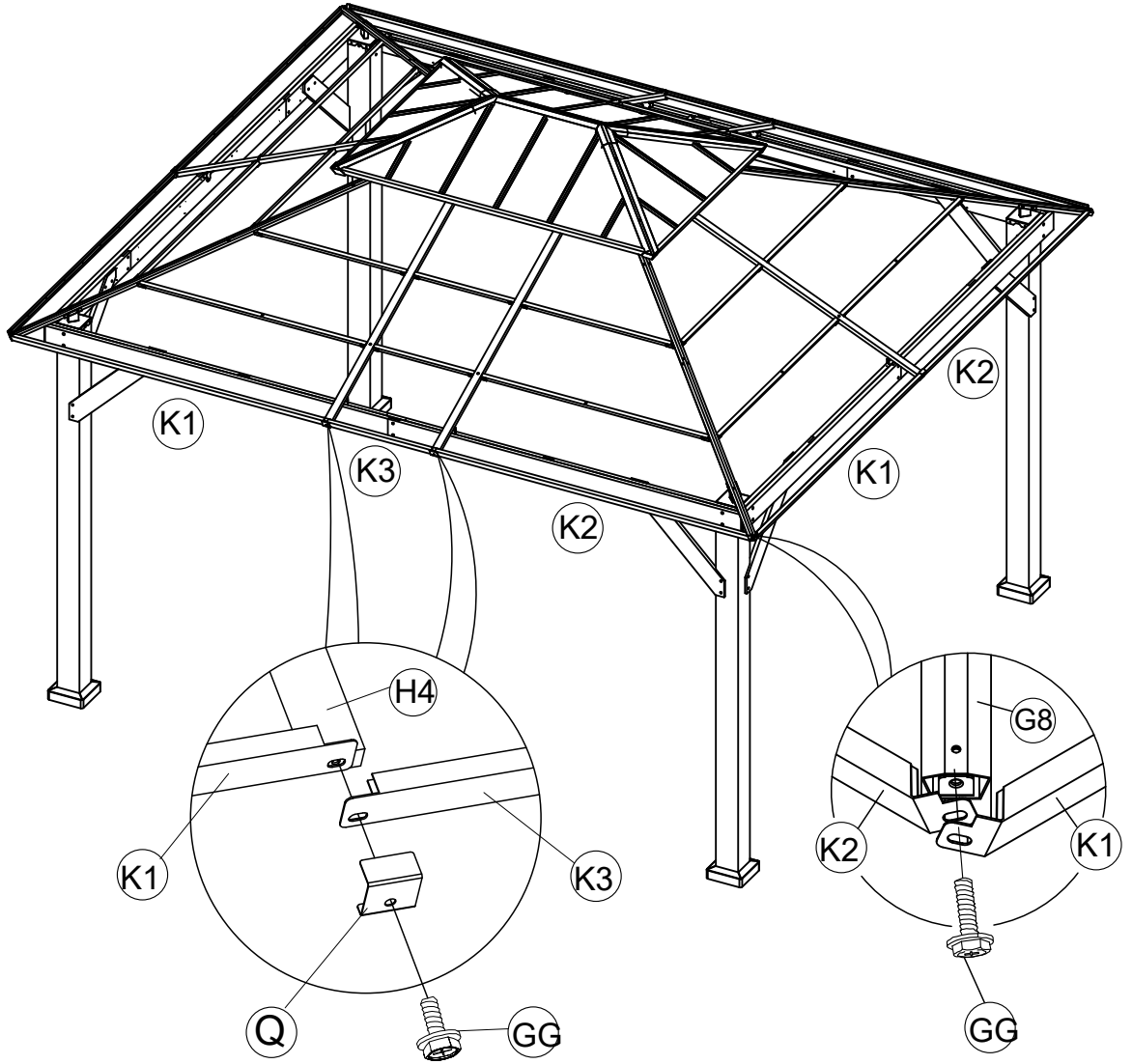
K2 x4



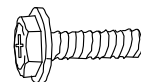
K3 x2



Q x6



Attention: If the #K1, #K2, #k3, can not be matched perfectly, you could rap the #H4 slight to adjust.

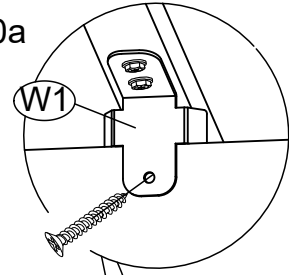


M6 x15

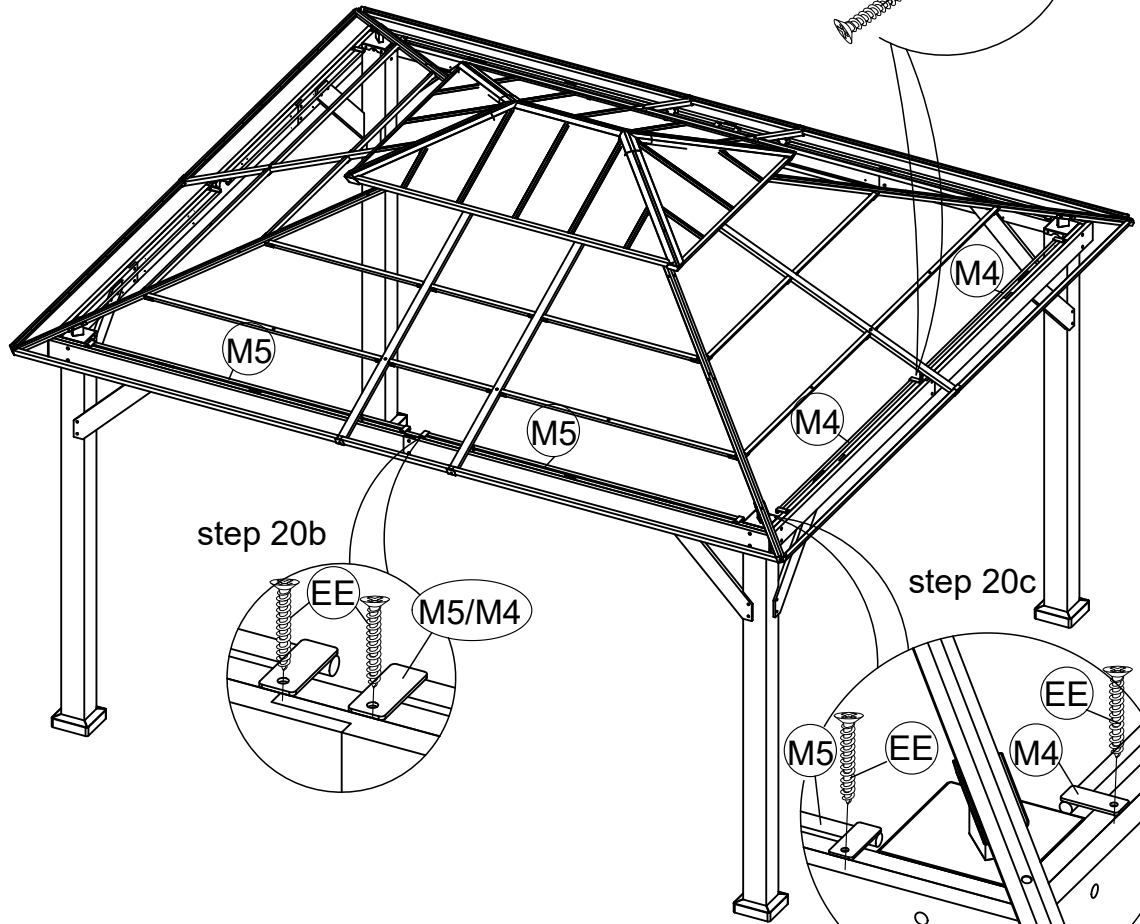
GG x 10

<20>

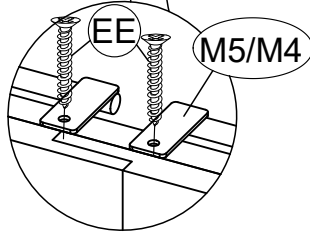
step 20a



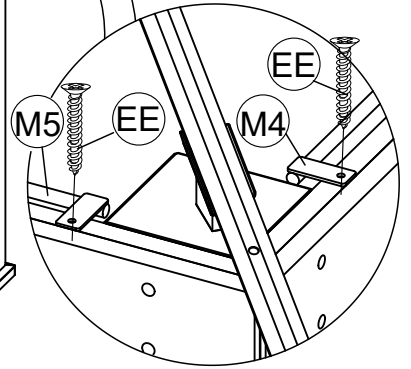
M4 x4



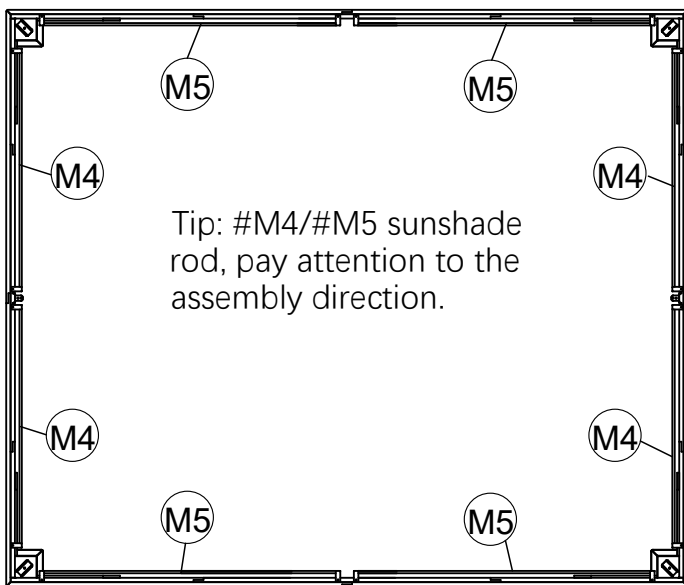
step 20b



step 20c



M5 x4



Tip: #M4/#M5 sunshade rod, pay attention to the assembly direction.



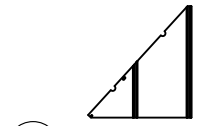
M5x30

EE x22

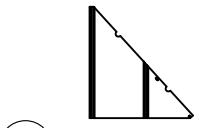
# <21>

Tip: When installing the large top cover, pay attention to the picture sequence identification, and pay attention to the assembly position of the screws on the cover sheet.

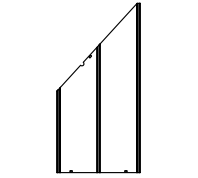
Warning! During the assembly process, keep the cover slip stable to avoid the risk of it slipping off, which could cause danger.



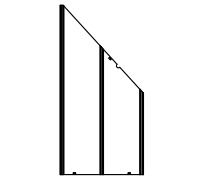
Y1 x4



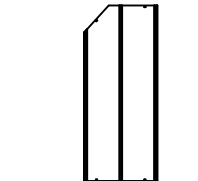
Y2 x4



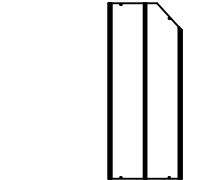
Y3 x4



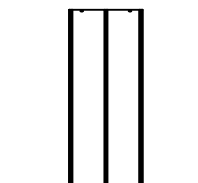
Y4 x4



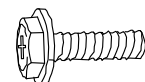
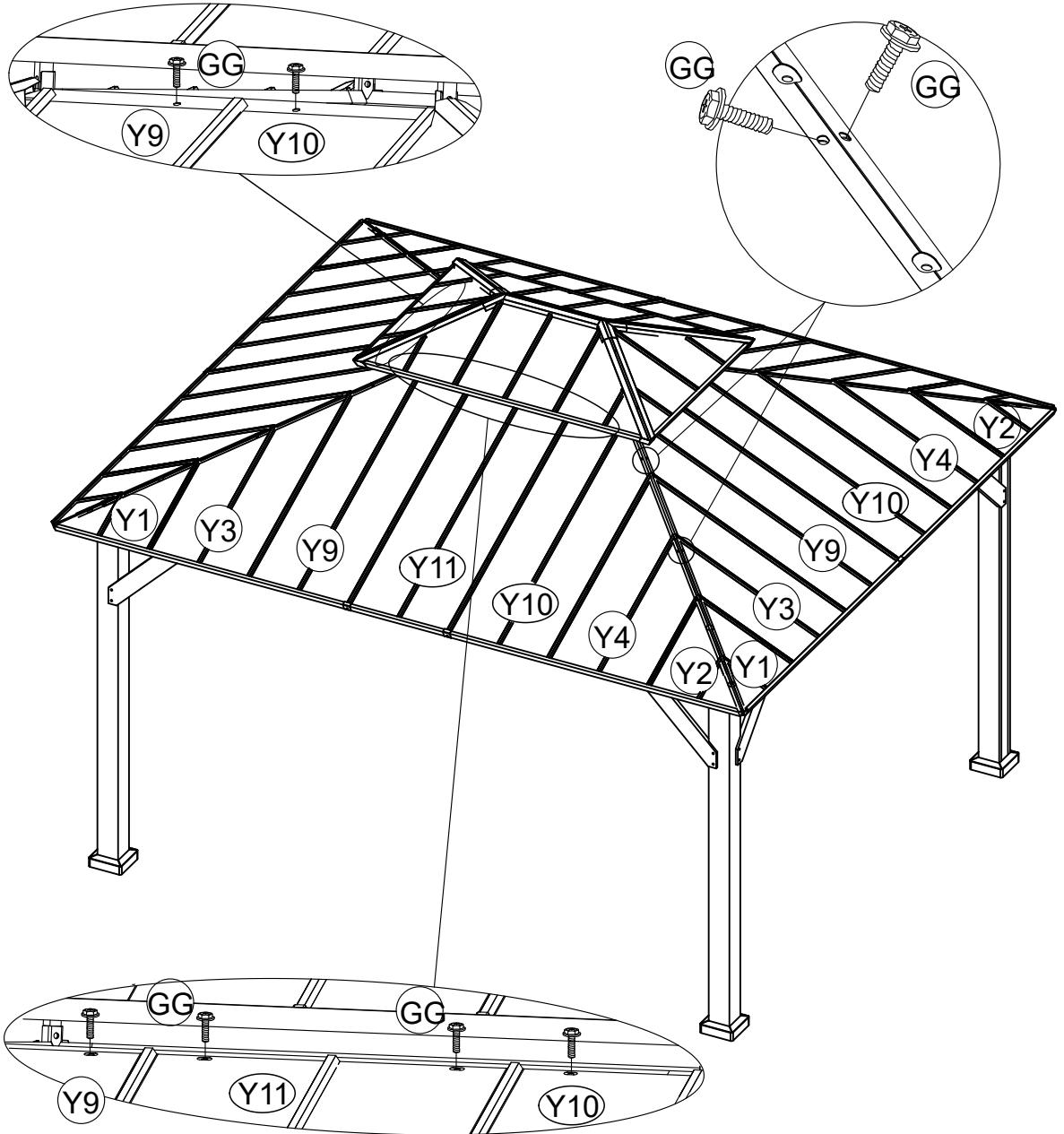
Y9 x4



Y10 x4



Y11 x2



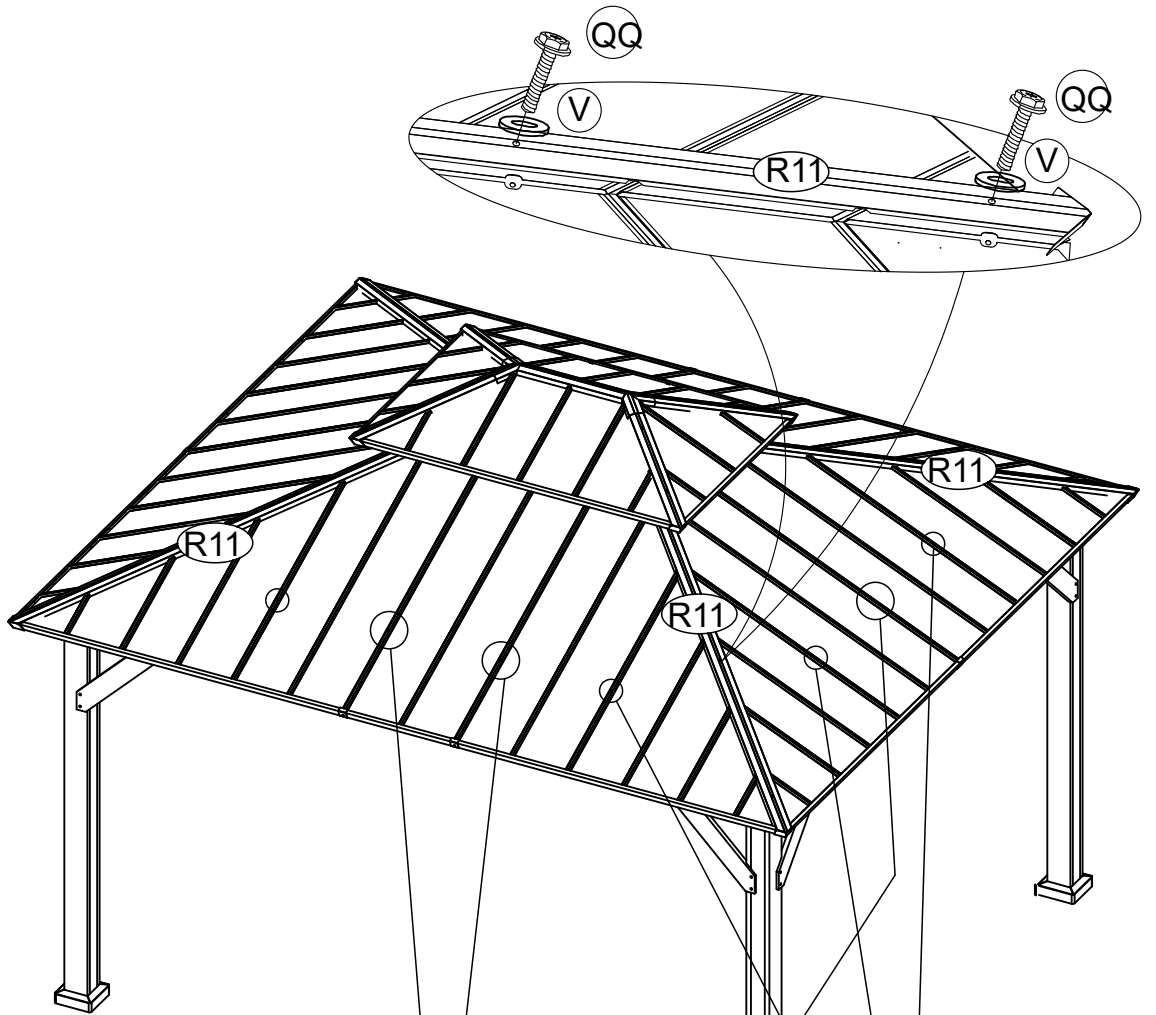
M6 x 15

GG x28

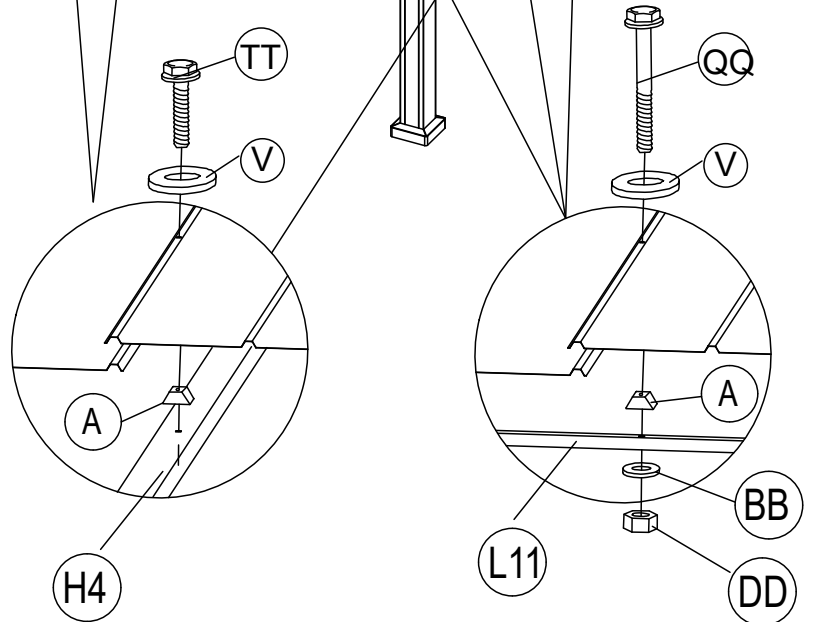
<22>



R11 x4



Attention: Pls assemble the screw that on the upside of the #R11 from the middle area between the small roof and big roof inside the gazebo.



A x14



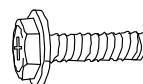
V x22



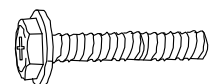
M6 DD x8



M6 BB x8

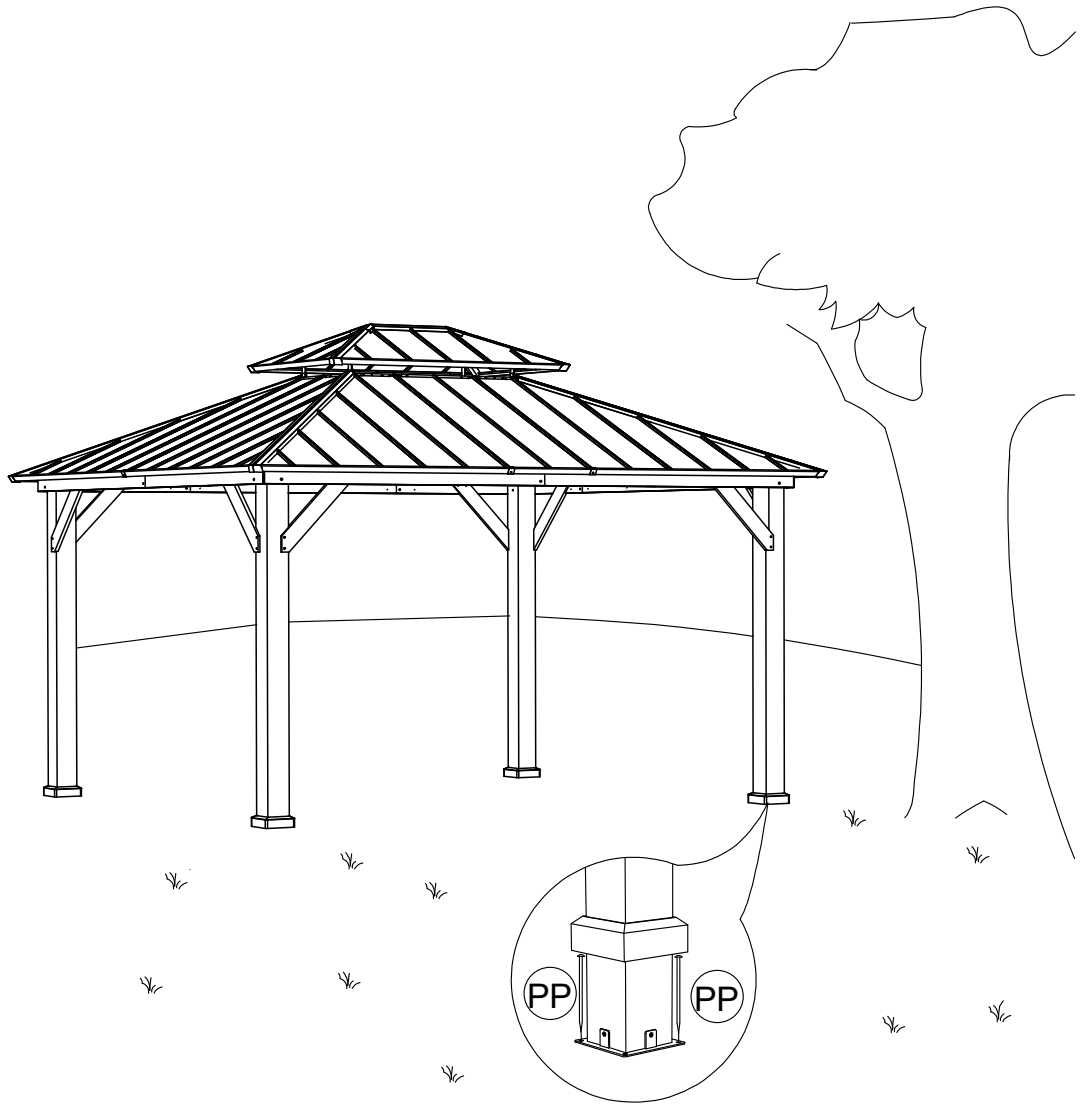


M6 x25 TT x6



M6 x40 QQ x16

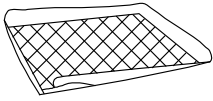
<23>



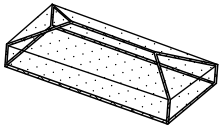
Ø8x180

PP x8

<24>

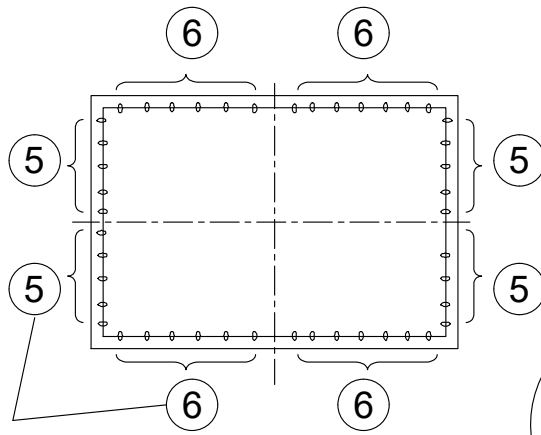


U2 x1

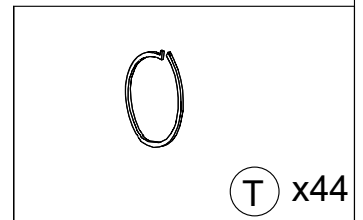
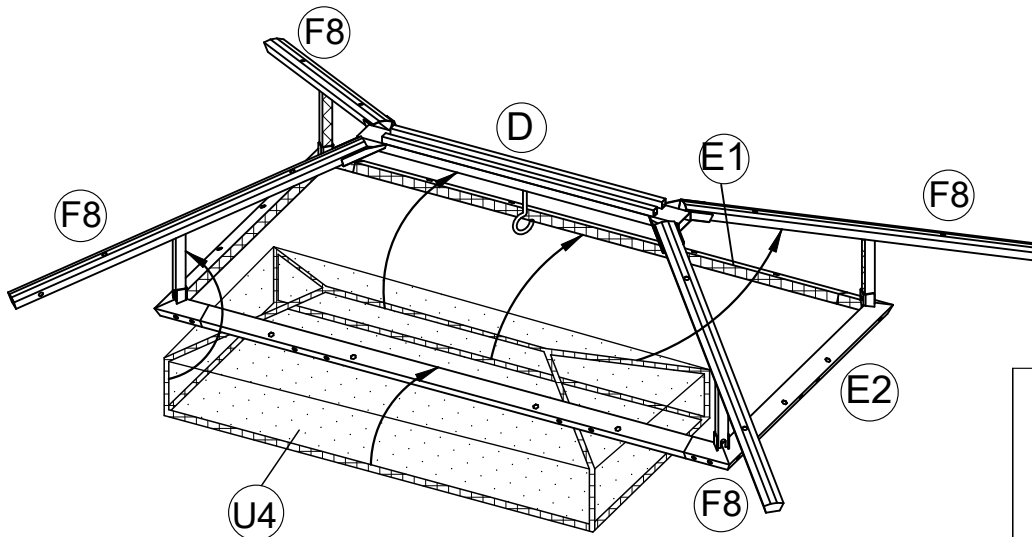
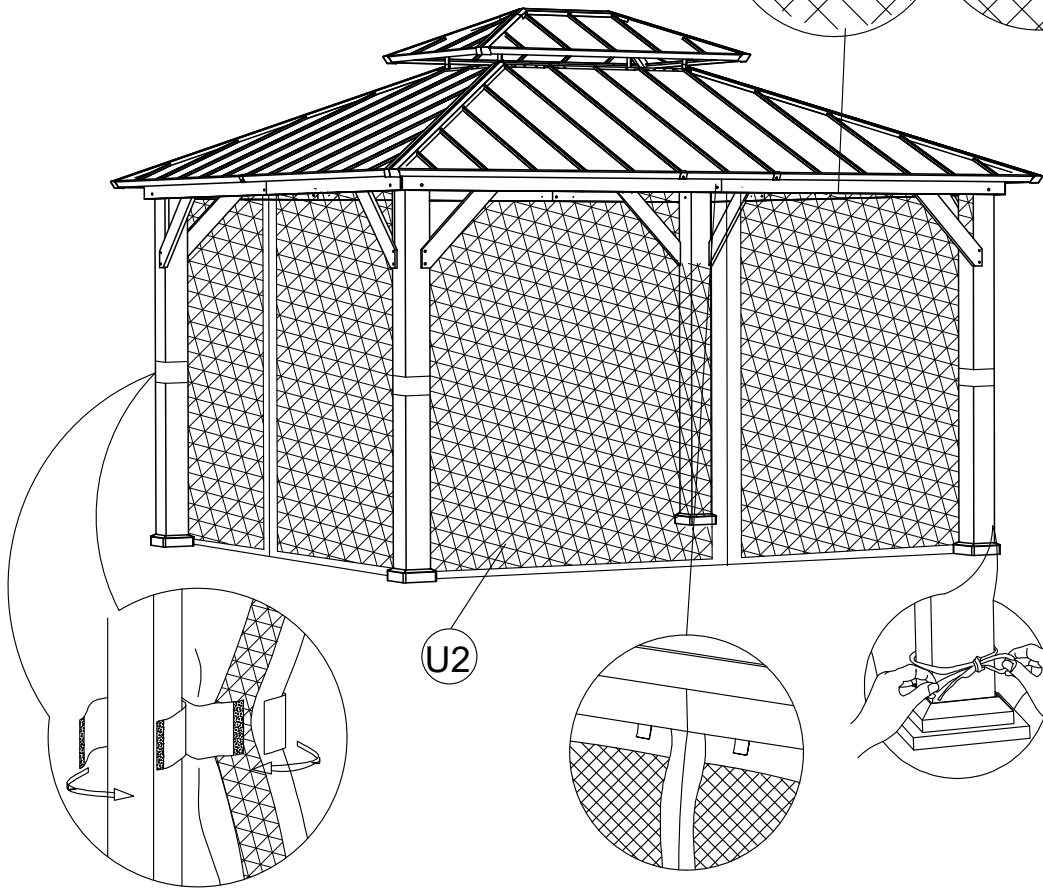
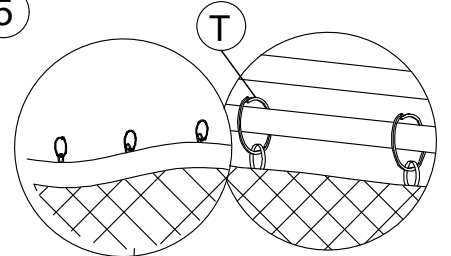


U4 x1

RING QUANTITY



Tip: When installing the #U2 network, please note that the long and short sides can be distinguished by the number of hanging rings!



T x44