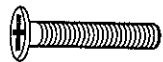


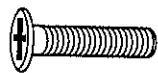
# HARDWARE

A



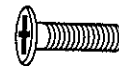
16x M6X40mm

B



15x M6X35mm

C



8x M6X30mm

D



8x M6mm

E



6x

# Safety Advice

Please take the time to carefully read through the whole of these instructions before you commence. Keep these instructions for future reference.

Unpack, inspect and check off all of the contents.

Please dispose of all packaging safely.

Small component parts could choke a child if swallowed.

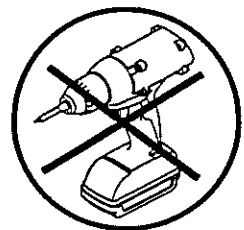
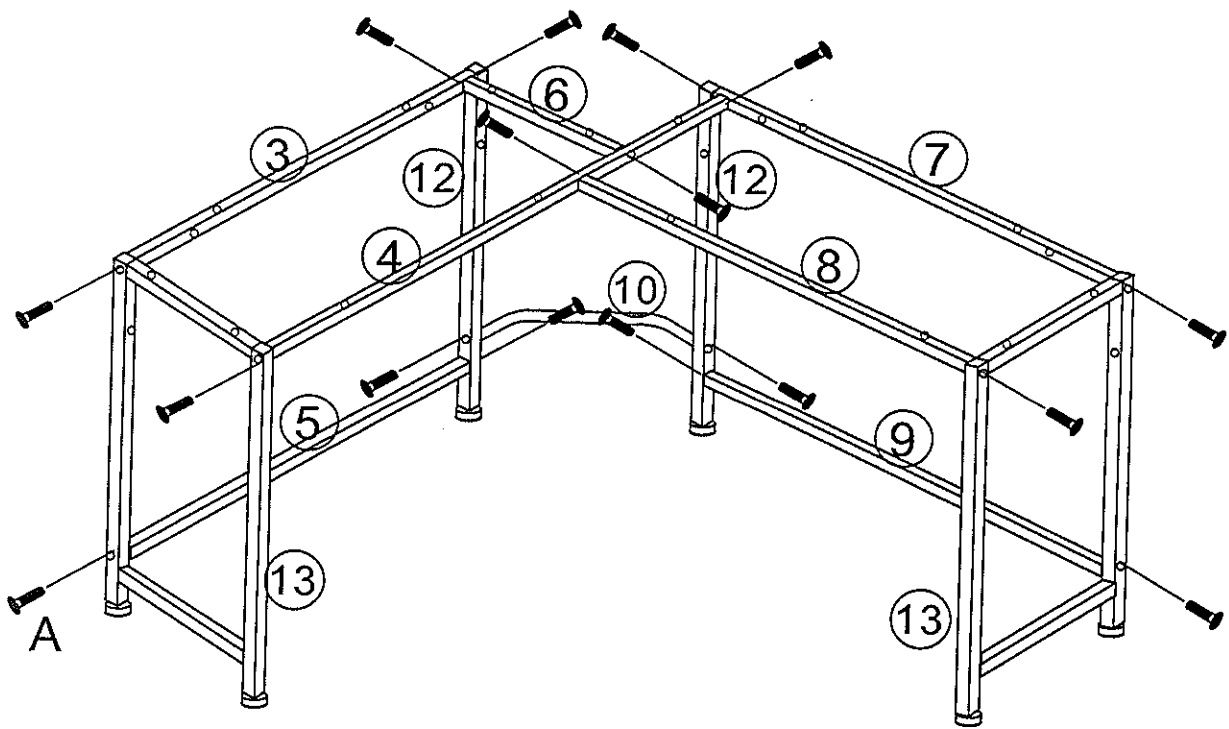
We strongly recommend that you keep children well away from the work area.

It would be sensible to lay a sheet or blanket on the floor where you intend to work to avoid scratching this product and to protect your floor.

This product is heavy. Take extreme care when lifting to avoid personal injury or damage to the product.

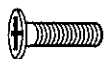
Assemble the product as close to its intended final position in the room as possible.

**HANDY HINT:** If you keep the hardware in a bowl during assembly you will be less likely to lose them.

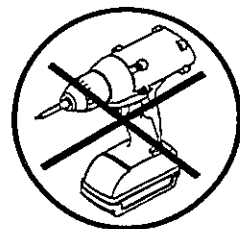
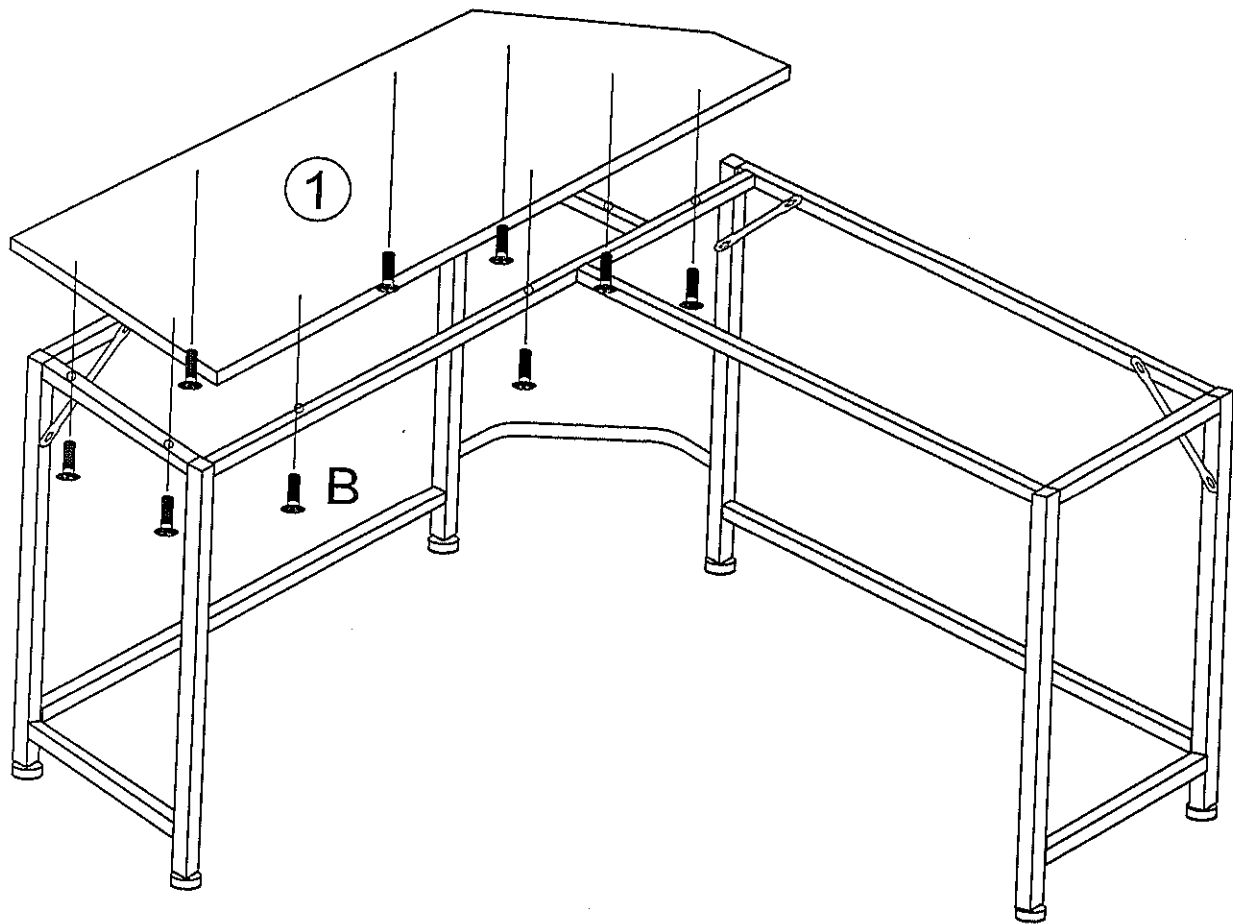


Do Not Use Power Tools

A

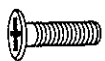


16x



Do Not Use Power Tools

B

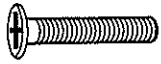


9x

09

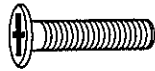
# HARDWARE

A



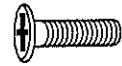
16x M6X40mm

B



15x M6X35mm

C



8x M6X30mm

D



8x M6mm

E



6x

# Safety Advice

Please take the time to carefully read through the whole of these instructions before you commence.

Keep these instructions for future reference.

Unpack, inspect and check off all of the contents.

Please dispose of all packaging safely.

Small component parts could choke a child if swallowed.

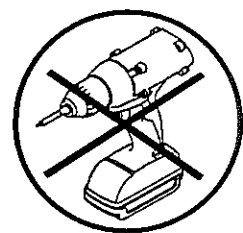
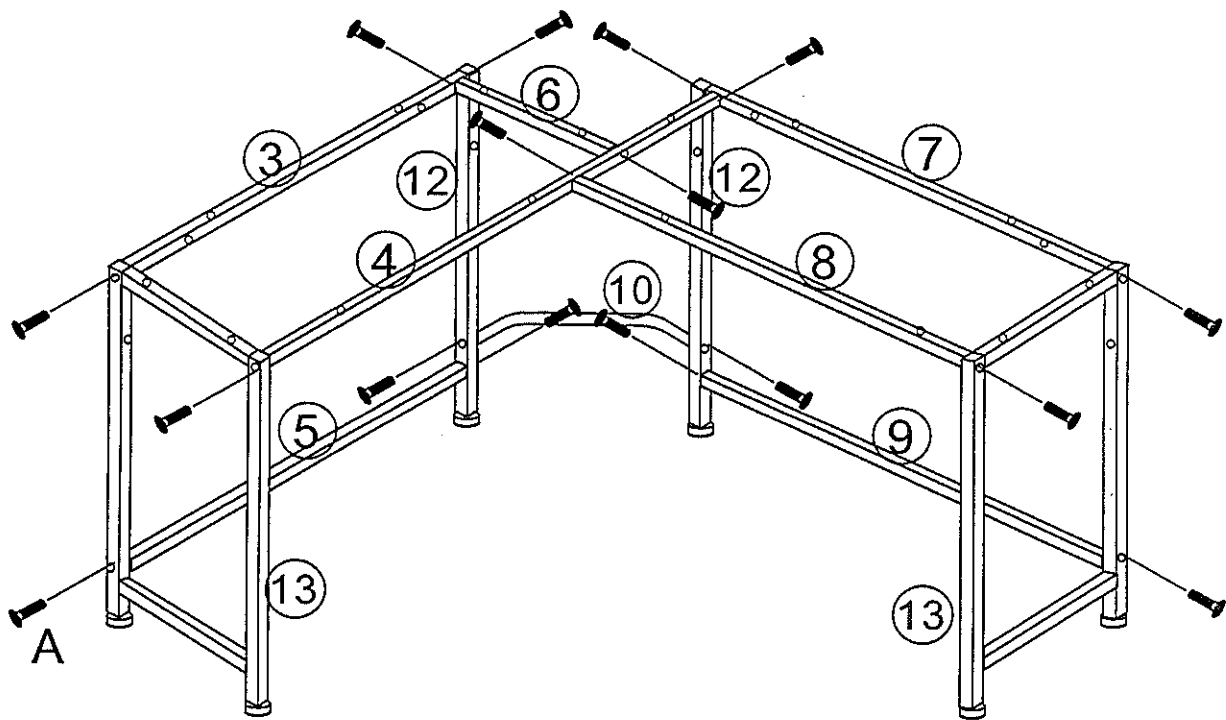
We strongly recommend that you keep children well away from the work area.

It would be sensible to lay a sheet or blanket on the floor where you intend to work to avoid scratching this product and to protect your floor.

This product is heavy. Take extreme care when lifting to avoid personal injury or damage to the product.

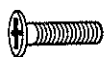
Assemble the product as close to its intended final position in the room as possible.

**HANDY HINT:** If you keep the hardware in a bowl during assembly you will be less likely to lose them.



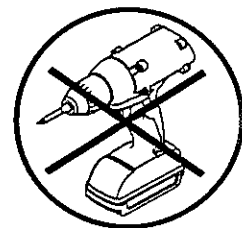
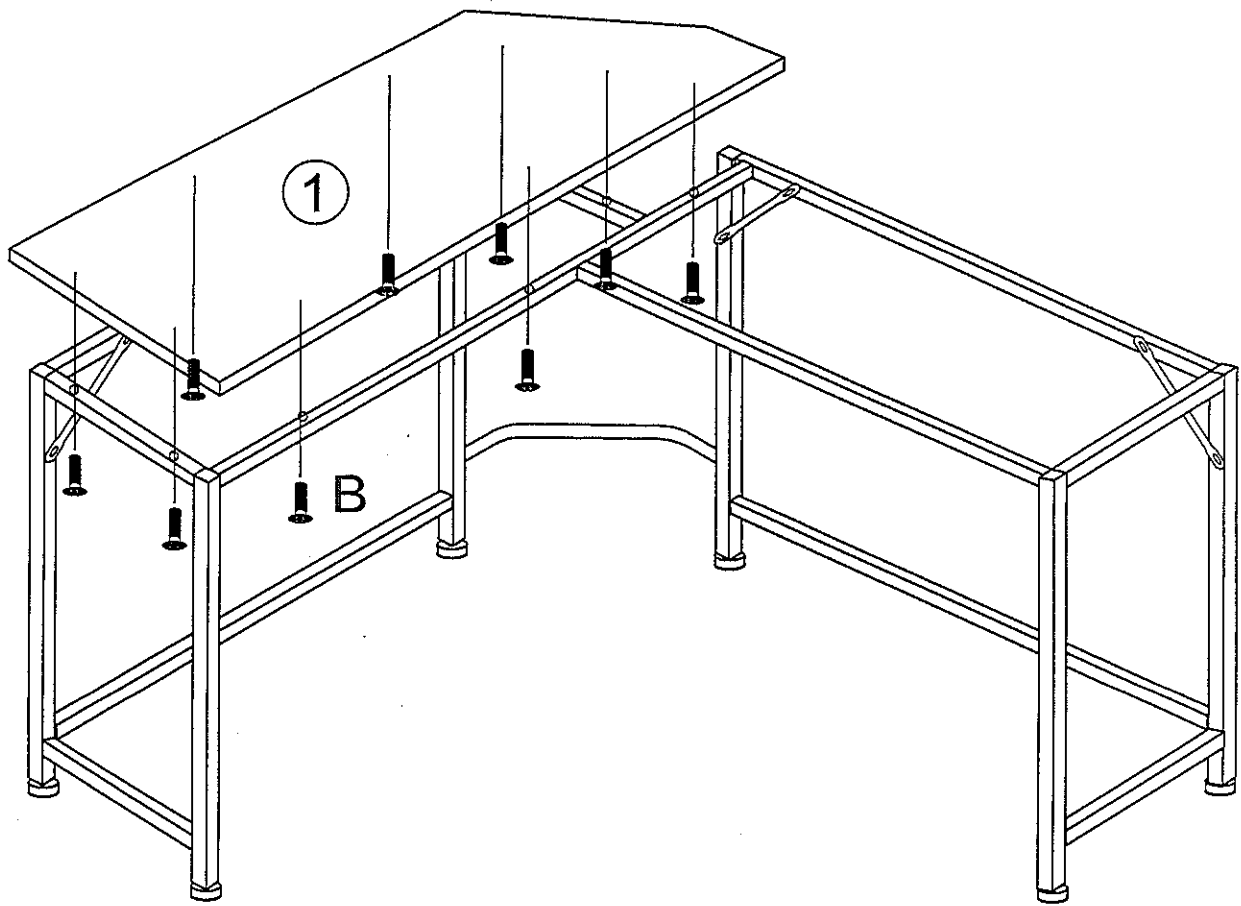
Do Not Use Power Tools

A



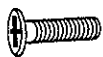
16x

07



Do Not Use Power Tools

B



9x

09