

ASSEMBLY INSTRUCTION



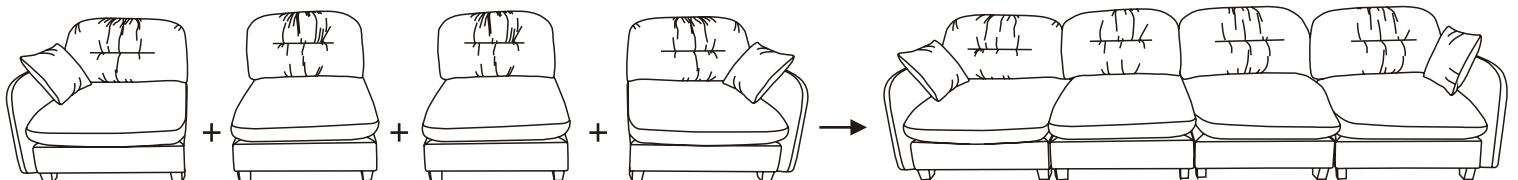
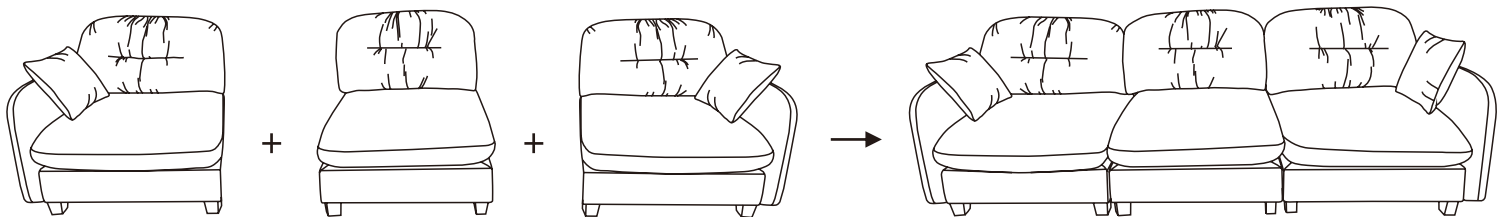
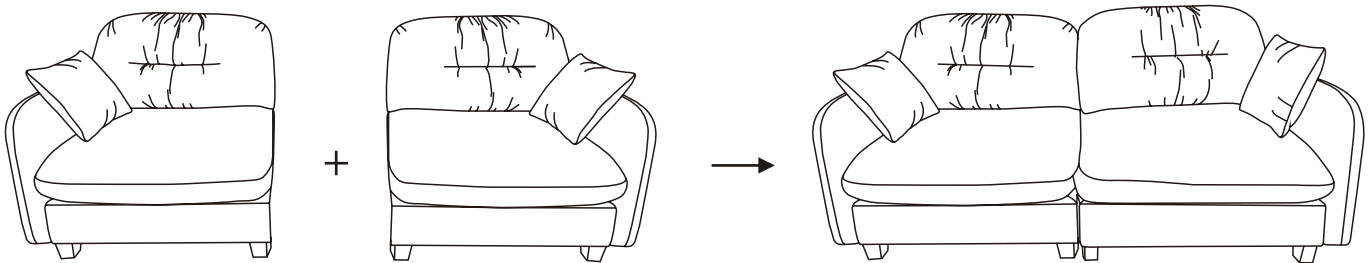
This instruction booklet contains important safety information. please read and keep for future reference.

This sofa collection works as modular sofa function, started as 2- seater sofa with left and right section, you can buy more components such as armless middle seat and ottoman to make it as 3-seater sofa, 4-seater sofa, L shape sectional, U shape sectional or sofa set. Measure your living room size before you make a decision to buy more components to ensure all sofa section are well fit your living room area.

To ensure safe and satisfactory use of this product, please carefully read the below instructions before hand.

1. This sofa ships in several boxes, we recommend unpacking and starting assembly when several boxes are received.
2. Our cushions are vacuum packed for convenient shipping. Please allow 2-3 days for them to fully expand to their original shape and for any wrinkles to disappear.
3. In the event that a part is damaged or missing, no need to return the product, we will gladly help and ship your replacement parts free of charge.

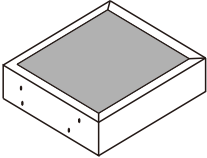
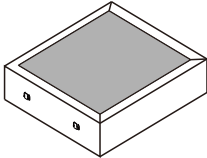
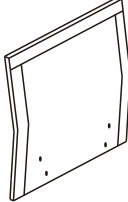
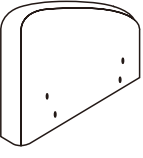
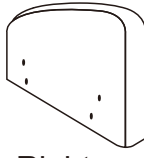
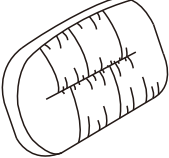
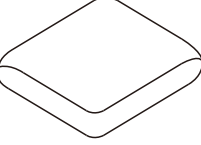
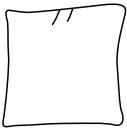




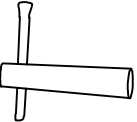
Below are some guidelines for you how you can do mix and match.



Assembly Instructions

IF YOU BUY 2 SEATER SOFA
please follow below assembly instruction

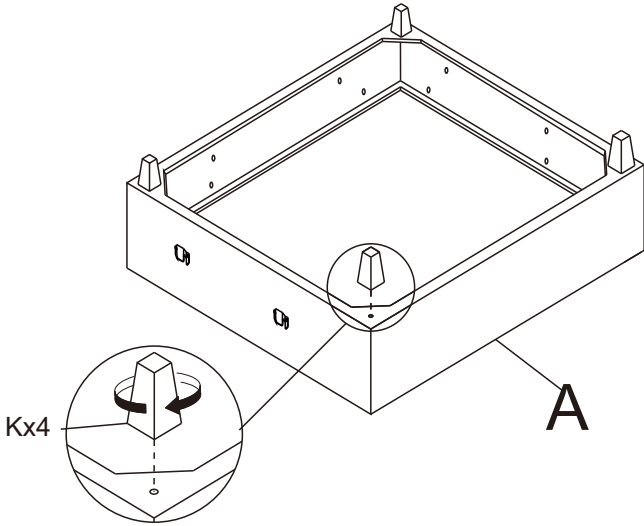
Parts List

<p>A</p>  <p>Left seat frame x1</p>	<p>C</p>  <p>Right seat frame x1</p>	<p>E</p>  <p>Backrest x2</p>
<p>F</p>  <p>Left armrest x1</p>	<p>G</p>  <p>Right armrest x1</p>	<p>H</p>  <p>Back cushion x2</p>
<p>I</p>  <p>Seat cushion x2</p>	<p>J</p>  <p>Pillow x2</p>	<p>K</p>  <p>Leg x8</p>
<p>M</p>  <p>M8*80cm Bolt x16</p>	<p>N</p>  <p>M8 Nut x16</p>	<p>O</p>  <p>M8 Washer x16</p>
<p>P</p>  <p>Allen key x1</p>		

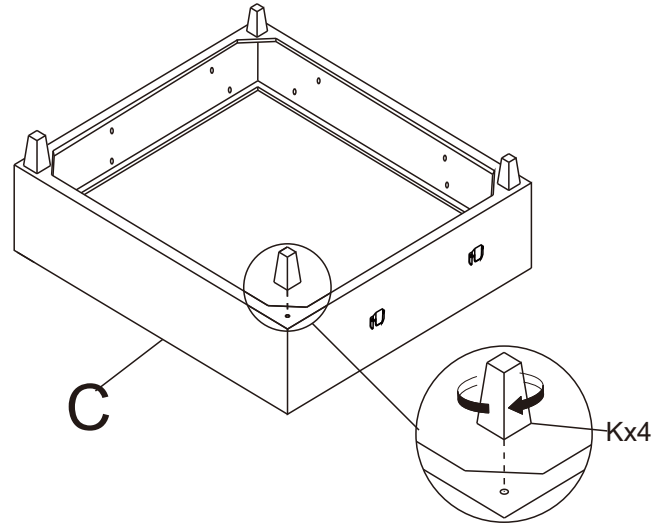
Note: Please retain all boxes until you are certain that your product isn't damaged and that you do not wish to return it. Disposal of boxes may prevent our ability to resolve your request.

STEP 1

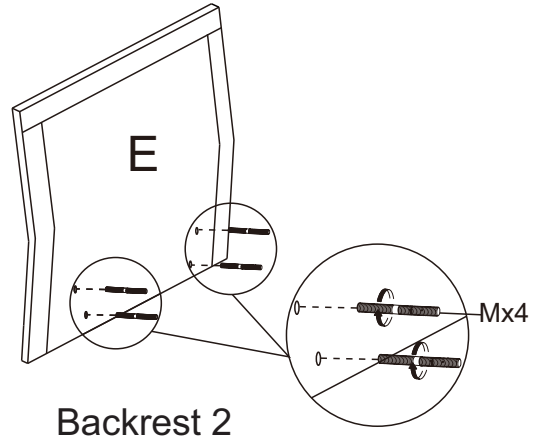
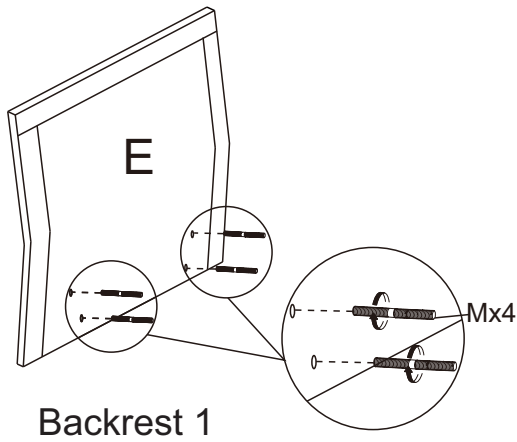
- ① Assemble the Leg (K) to the Left seat frame (A)



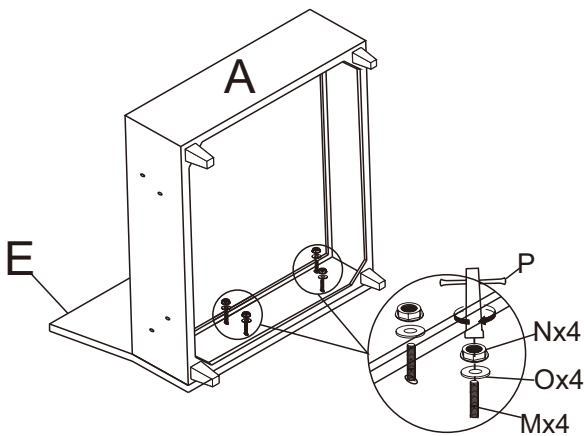
- ② Assemble the Leg (K) to the Right seat frame (C)



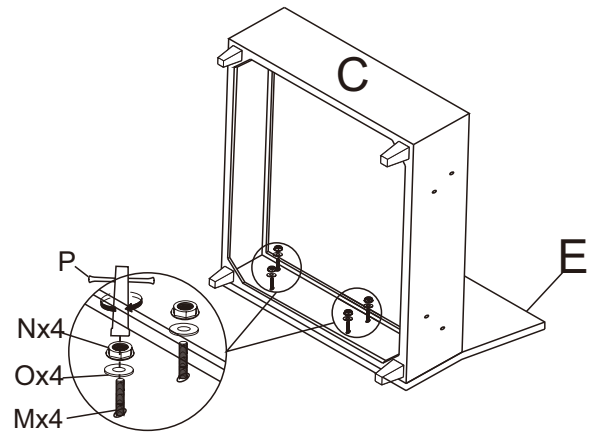
- ③ Pre-assemble the Backrest (E) with Bolts (M)



- ④ Assemble the Backrest (E) to the Left seat frame (A) with Bolts (M) and Nuts (N) and Washers (O)

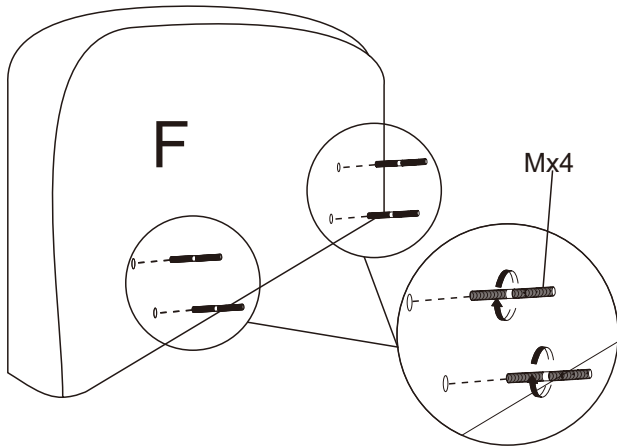


- ⑤ Assemble the Backrest (E) to the Right seat frame (C) with Bolts (M) and Nuts (N) and Washers (O)

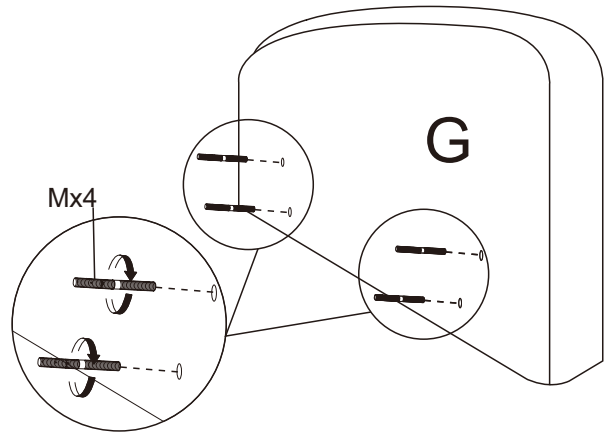


STEP 2

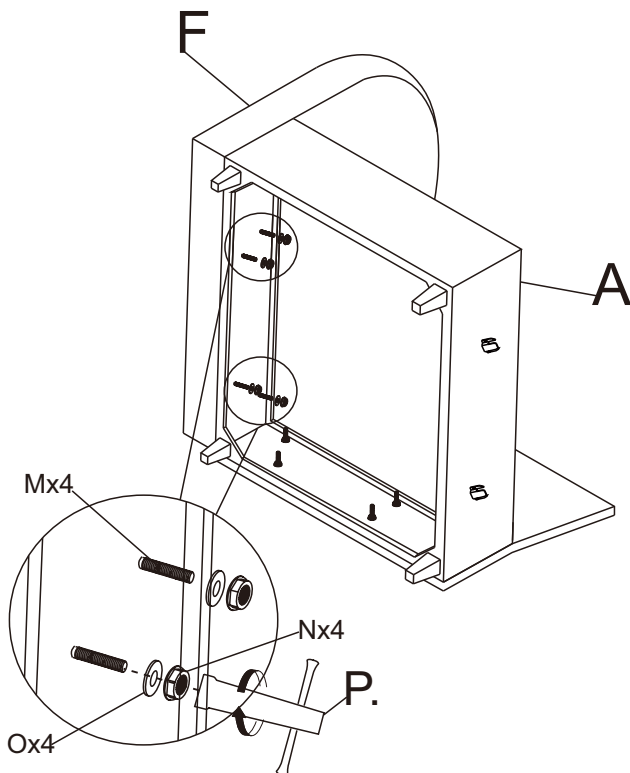
6 Pre-assemble the Left armrest(F) with Bolts (M)



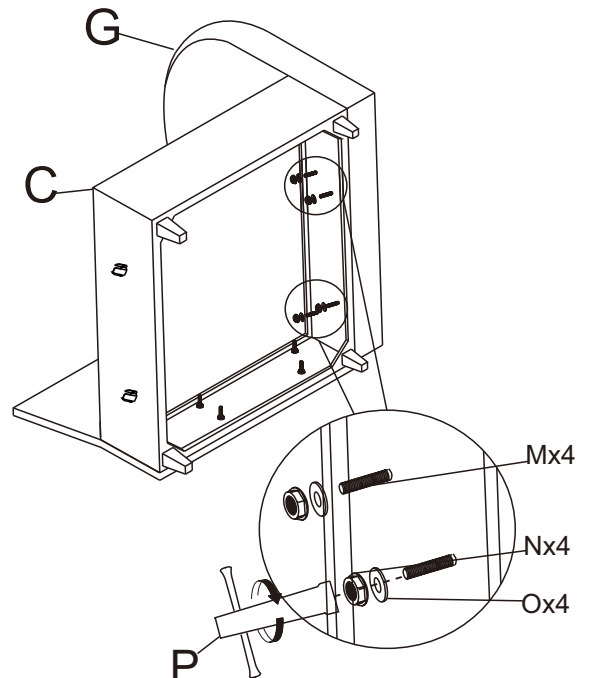
7 Pre-assemble the Right armrest(G) with Bolts (M)



8 Assemble the Left armrest (F) to the Left seat frame(A) with Bolts (M) and Nuts (N) and Washers (O)

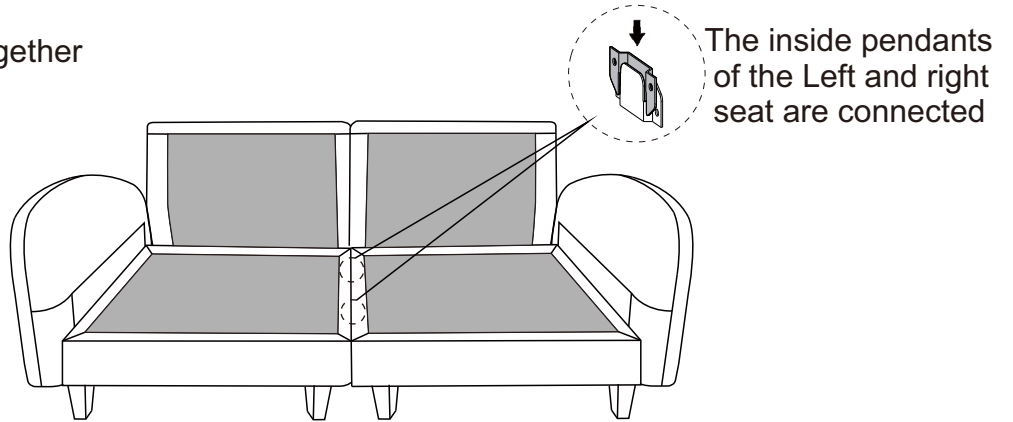


9 Assemble the Right armrest (G) to the Right seat frame(C) with Bolts (M) and Nuts (N) and Washers (O)

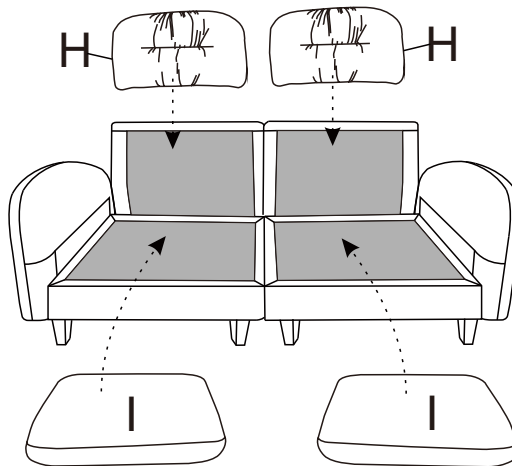


STEP 3

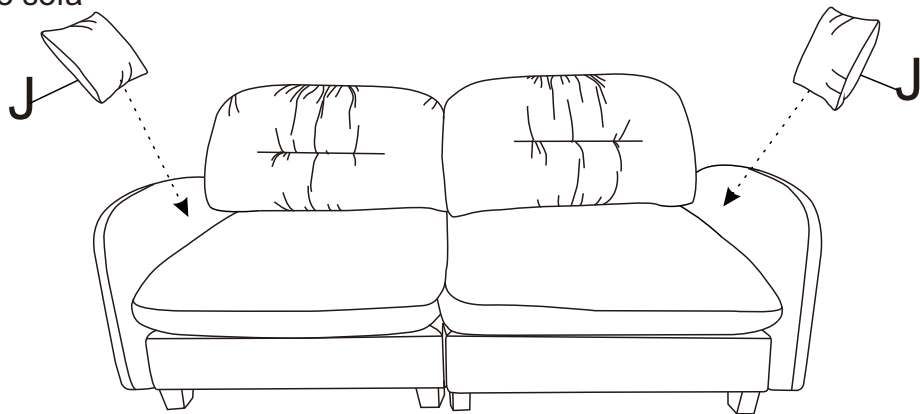
10 Insert the two mounts together



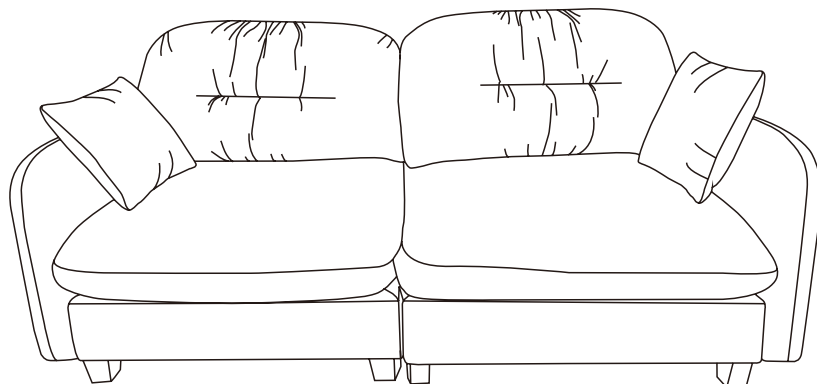
11 Put Back cushion (H) and Seat cushion (I) to the sofa



12 Put Pillow (J) to the sofa



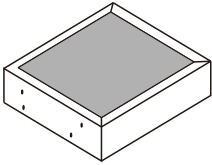
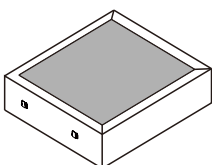
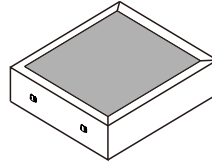
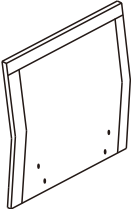
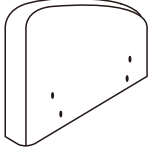
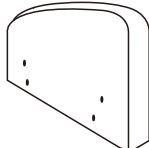
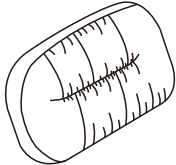
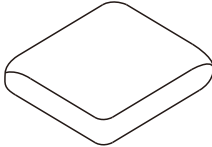
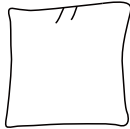




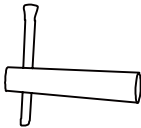
13 Completed .



Assembly Instructions

IF YOU BUY 3 SEATER SOFA
please follow below assembly instruction

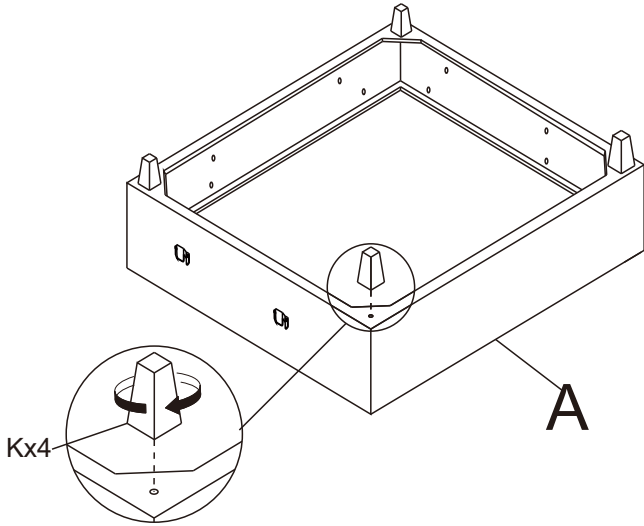
Parts List

<p>A</p>  <p>Left seat frame x1</p>	<p>B</p>  <p>Seat frame x1</p>	<p>C</p>  <p>Right seat frame x1</p>
<p>E</p>  <p>Backrest x3</p>	<p>F</p>  <p>Left armrest x1</p>	<p>G</p>  <p>Right armrest x1</p>
<p>H</p>  <p>Back cushion x3</p>	<p>I</p>  <p>Seat cushion x3</p>	<p>J</p>  <p>Pillow x2</p>
<p>K</p>  <p>Leg x12</p>	<p>M</p>  <p>M8*80cm Bolt x20</p>	<p>N</p>  <p>M8 Nut x20</p>
<p>O</p>  <p>M8 Washer x20</p>	<p>P</p>  <p>Allen key x1</p>	

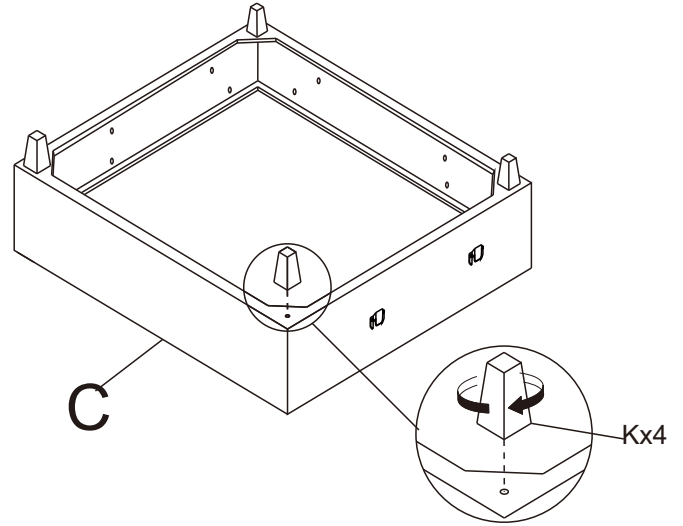
Note: Please retain all boxes until you are certain that your product isn't damaged and that you do not wish to return it. Disposal of boxes may prevent our ability to resolve your request.

STEP 1

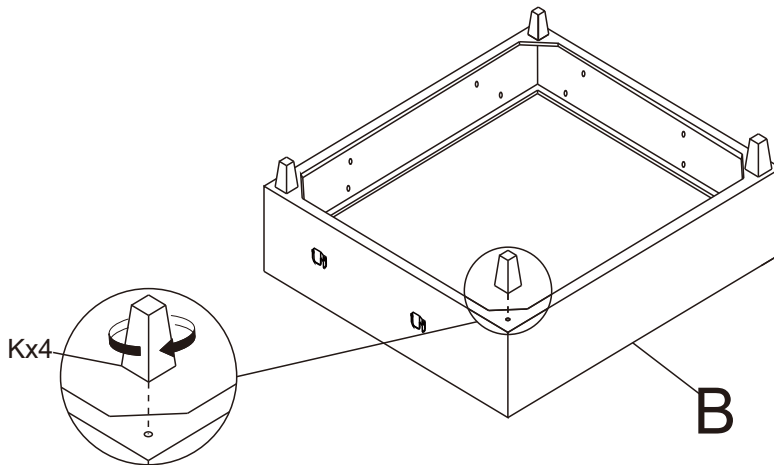
- ① Assemble the Leg (K) to the Left seat frame (A)



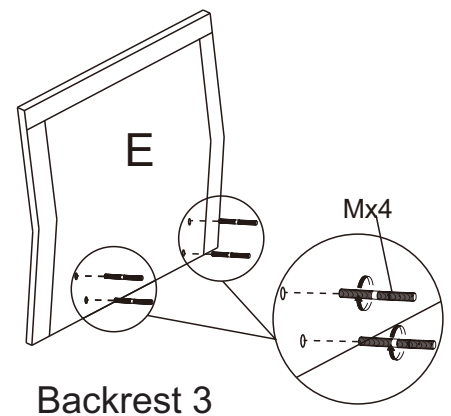
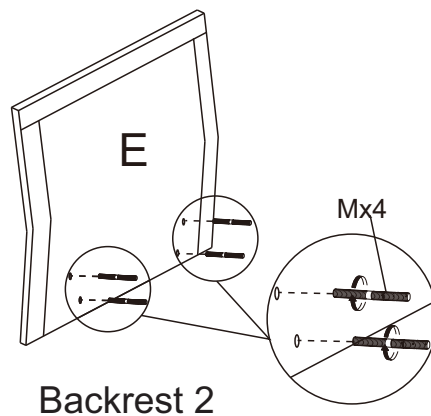
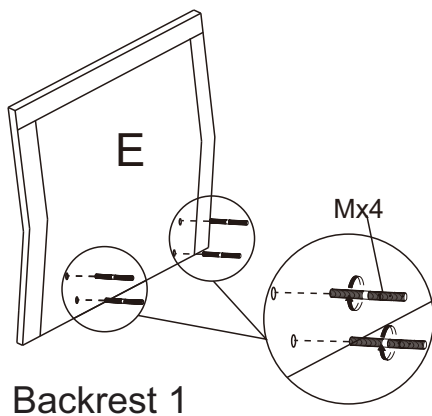
- ② Assemble the Leg (K) to the Right seat frame (C)



- ③ Assemble the Leg (K) to the Seat frame (B)

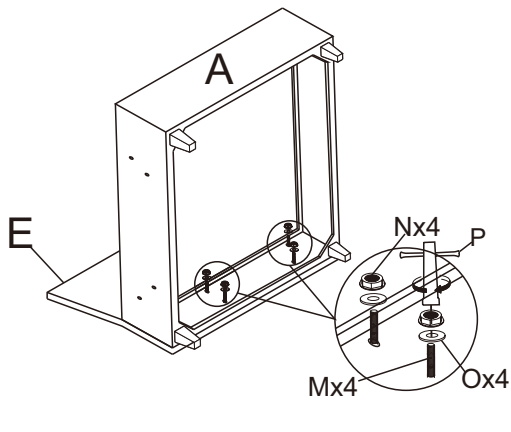


- ④ Pre-assemble the Backrest (E) with Bolts (M)

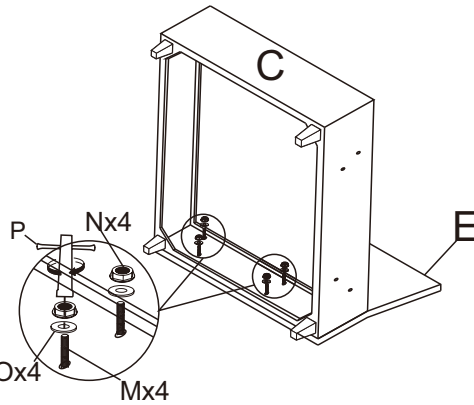


STEP 2

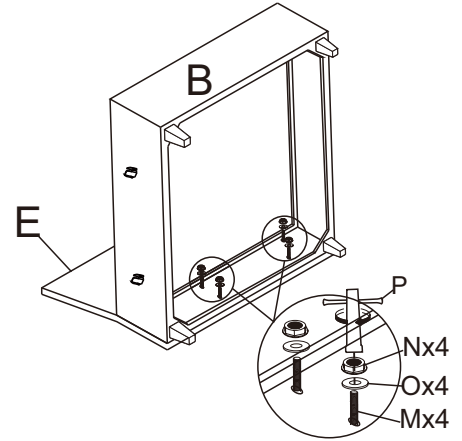
- 5 Assemble the Backrest (E) to the Left seat frame (A) with Bolts (M) and Nuts (N) and Washers (O)



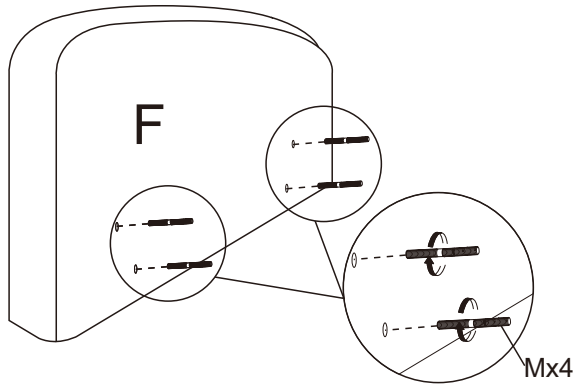
- 6 Assemble the Backrest (E) to the Right seat frame (C) with Bolts (M) and Nuts (N) and Washers (O)



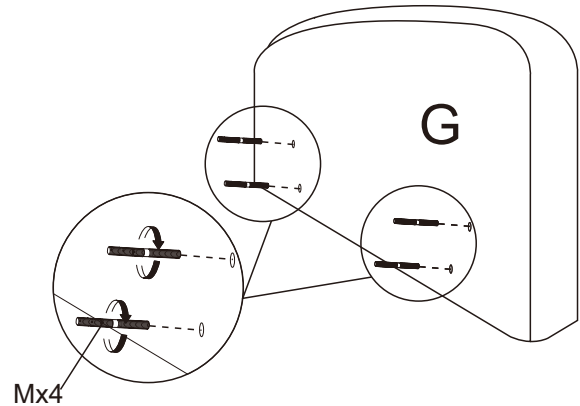
- 7 Assemble the Backrest (E) to the Seat frame (B) with Bolts (M) and Nuts (N) and Washers (O)



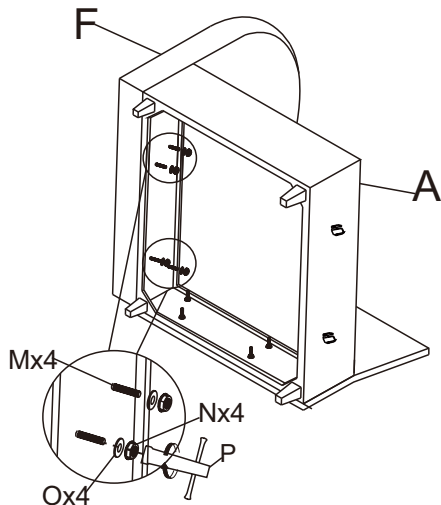
- 8 Pre-assemble the Left armrest (F) with Bolts (M)



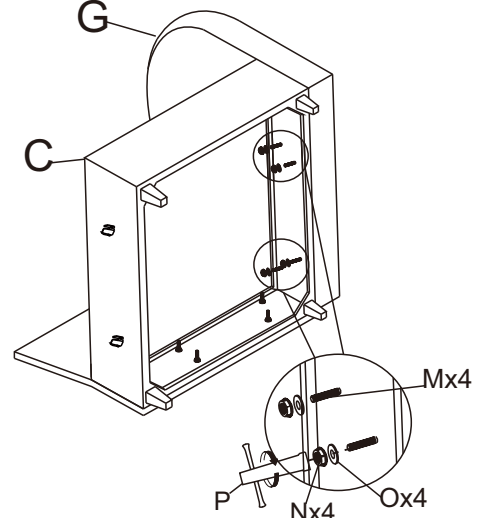
- 9 Pre-assemble the Right armrest (G) with Bolts (M)



- 10 Assemble the Left armrest (F) to the Left seat frame (A) with Bolts (M) and Nuts (N) and Washers (O)

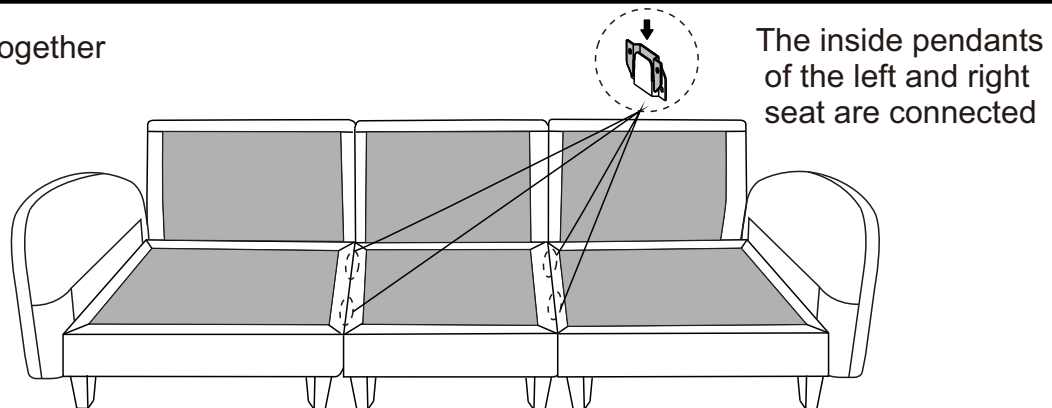


- 11 Assemble the Right armrest (G) to the Right seat frame (C) with Bolts (M) and Nuts (N) and Washers (O)

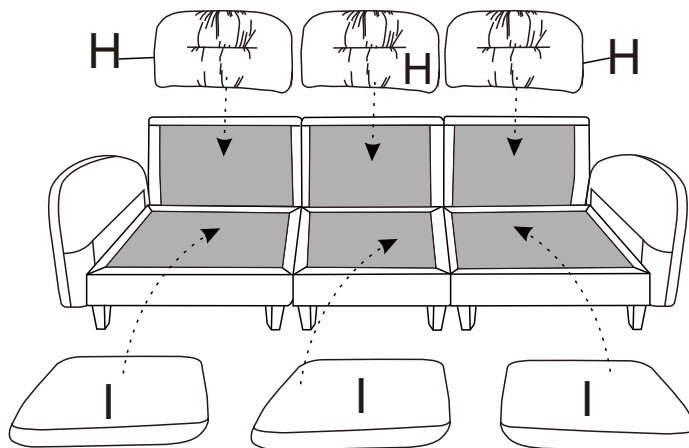


STEP 3

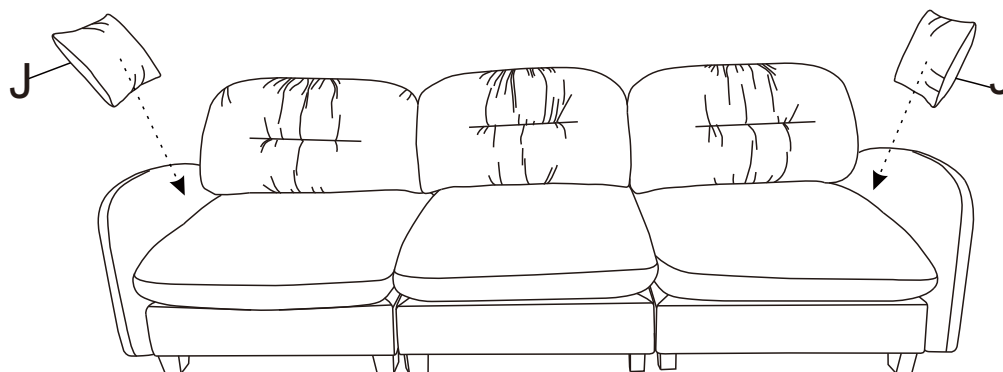
12 Insert the two mounts together



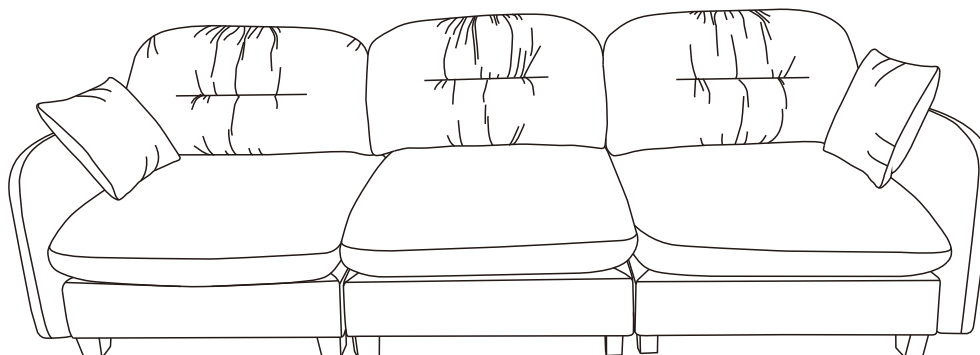
13 Put Back cushion (H) and Seat cushion (I) to the sofa



14 Put Pillow (J) to the sofa



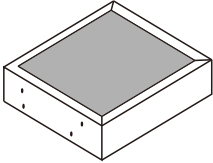
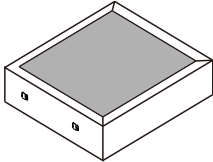
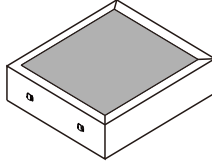
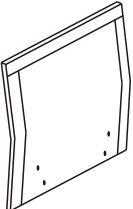
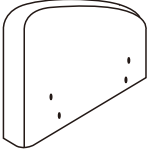
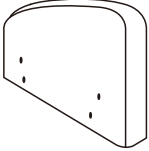
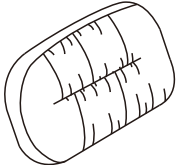
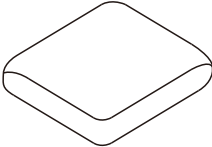
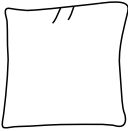
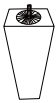



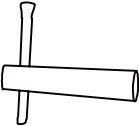
15 Completed .



Assembly Instructions

IF YOU BUY 4 SEATER SOFA
please follow below assembly instruction

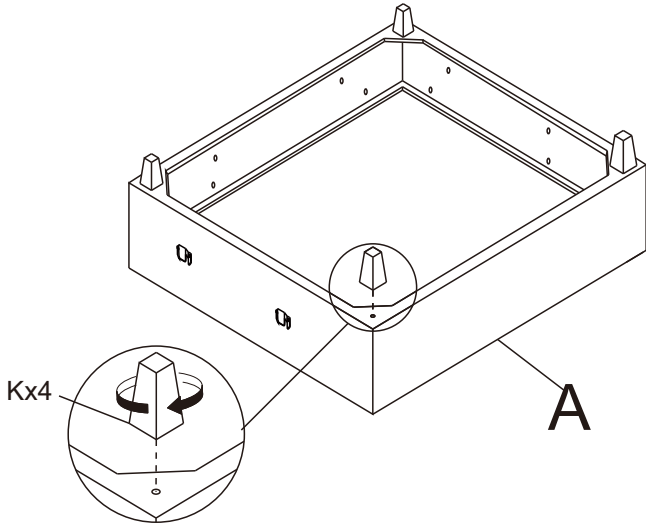
Parts List

<p>A</p>  <p>Left seat frame x1</p>	<p>B</p>  <p>Seat frame x2</p>	<p>C</p>  <p>Right seat frame x1</p>
<p>E</p>  <p>Backrest x4</p>	<p>F</p>  <p>Left armrest x1</p>	<p>G</p>  <p>Right armrest x1</p>
<p>H</p>  <p>Back cushion x4</p>	<p>I</p>  <p>Seat cushion x4</p>	<p>J</p>  <p>Pillow x2</p>
<p>K</p>  <p>Leg x16</p>	<p>M</p>  <p>M8*80cm Bolt x24</p>	<p>N</p>  <p>M8 Nut x24</p>
<p>O</p>  <p>M8 Washer x24</p>	<p>P</p>  <p>Allen key x1</p>	

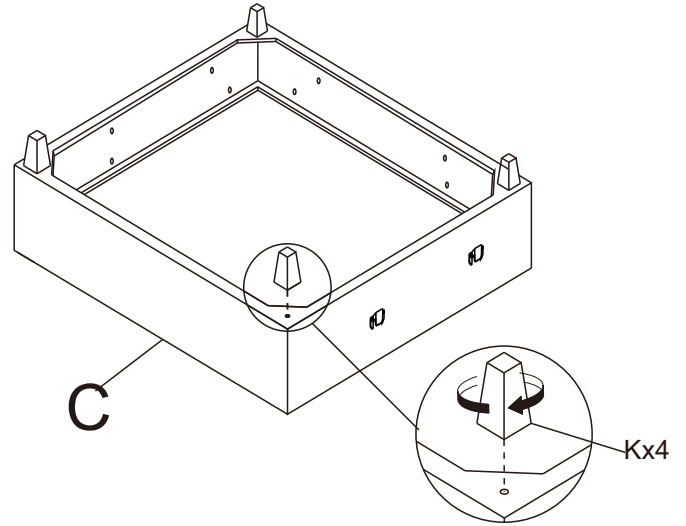
Note: Please retain all boxes until you are certain that your product isn't damaged and that you do not wish to return it. Disposal of boxes may prevent our ability to resolve your request.

STEP 1

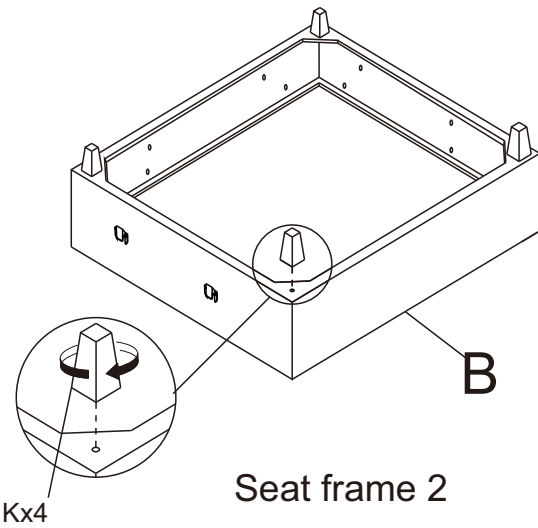
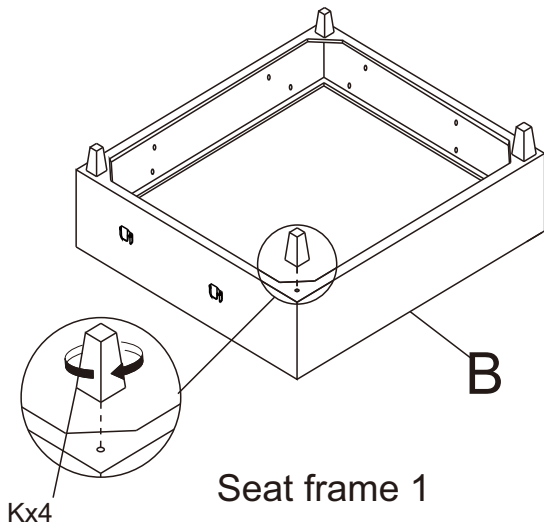
- ① Assemble the Leg (K) to the Left seat frame (A)



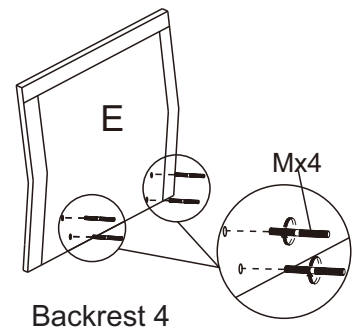
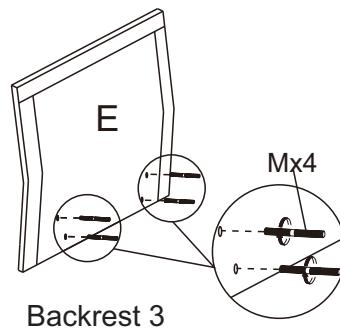
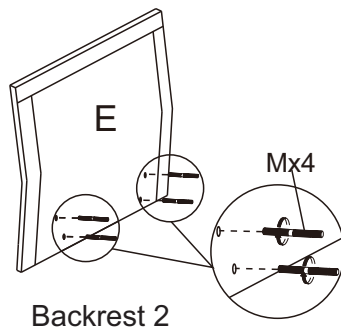
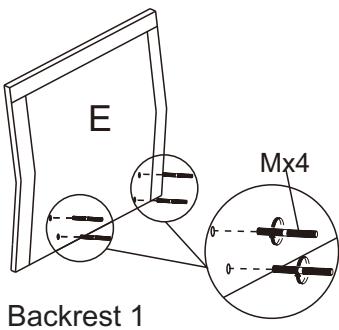
- ② Assemble the Leg (K) to the Right seat frame (C)



- ③ Assemble the Leg (K) to the Seat frame (B)

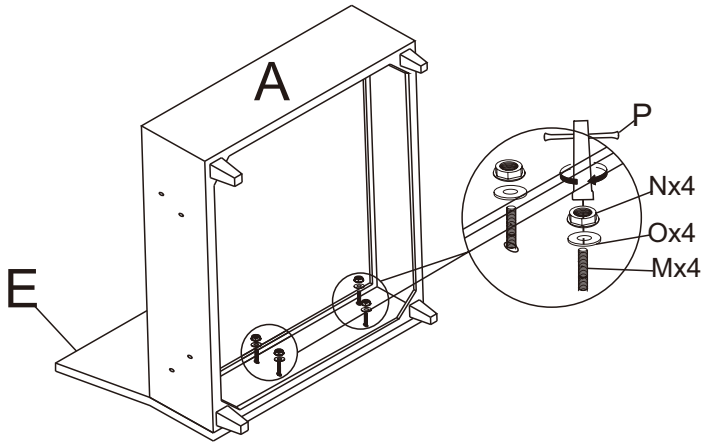


- ④ Pre-assemble the Backrest (E) with Bolts (M)

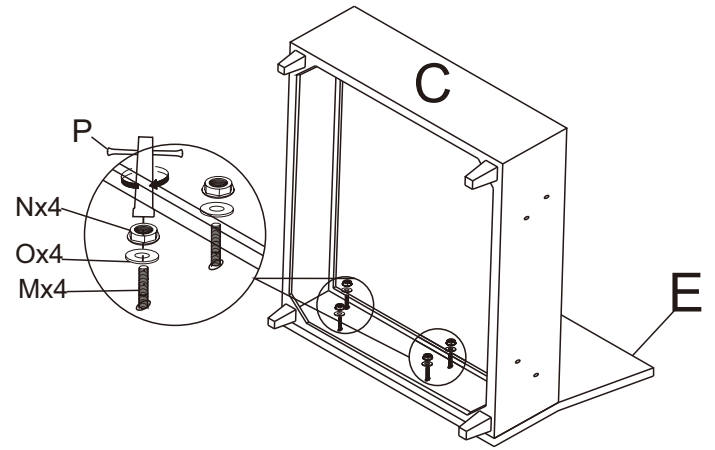


STEP 2

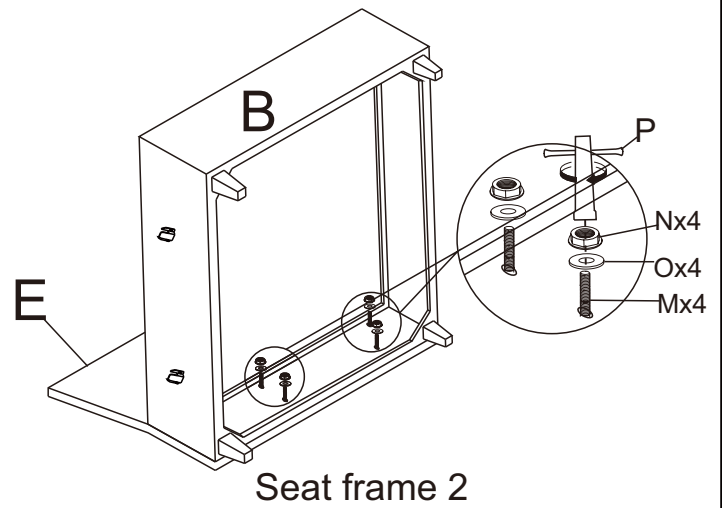
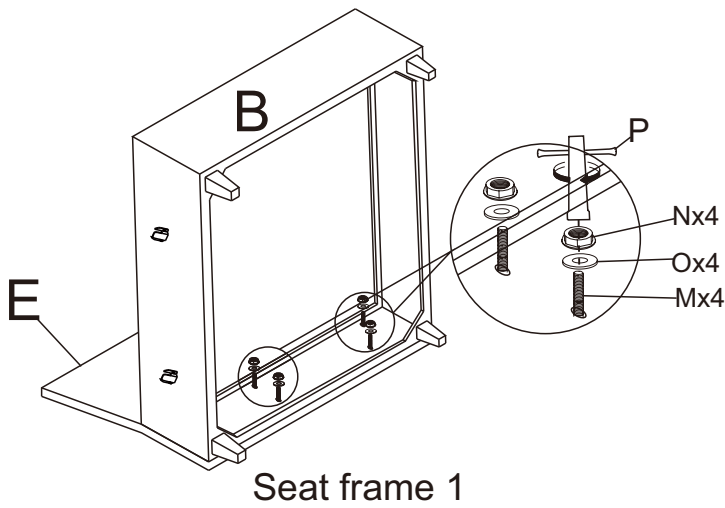
- ⑤ Assemble the Backrest (E) to the Left seat frame(A) with Bolts (M) and Nuts (N) and Washers (O)



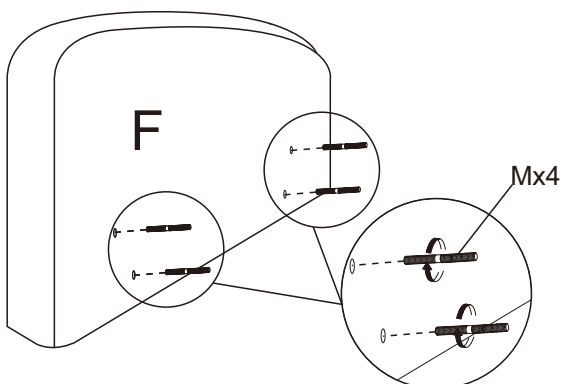
- ⑥ Assemble the Backrest (E) to the Right seat frame(C) with Bolts (M) and Nuts (N) and Washers (O)



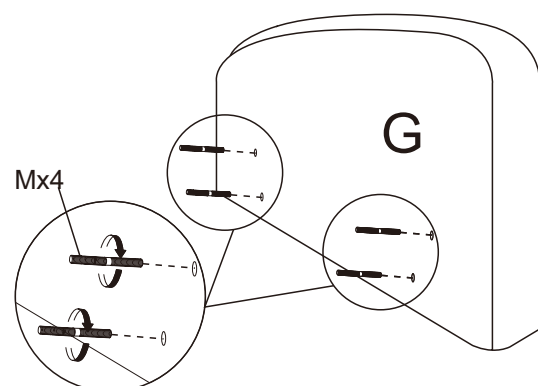
- ⑦ Assemble the Backrest (E) to the Seat frame(B) with Bolts (M) and Nuts (N) and Washers (O)



- ⑧ Pre-assemble the Left armrest (F) with Bolts (M)

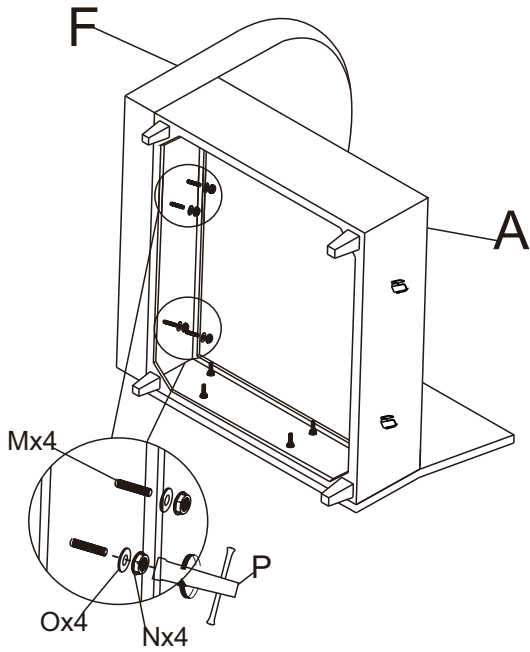


- ⑨ Pre-assemble the Right armrest(G) with Bolts (M)

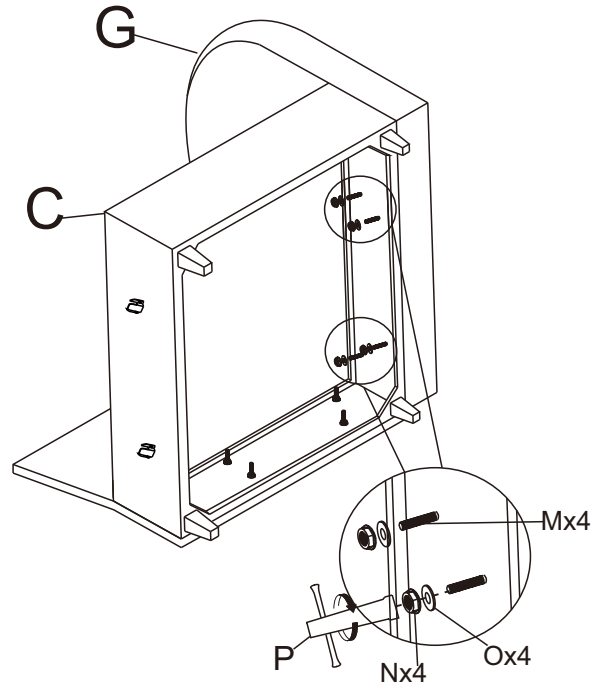


STEP 3

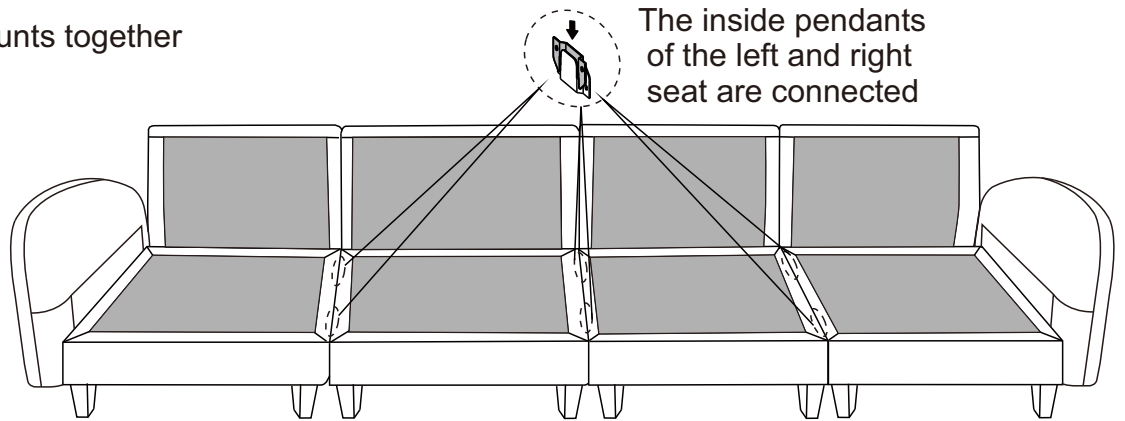
- ⑩ Assemble the Left armrest (F) to the Left seat frame (A) with Bolts (M) and Nuts (N) and Washers (O)



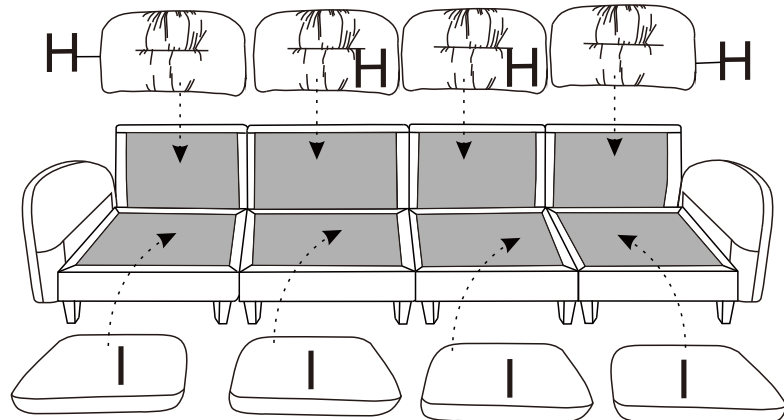
- ⑪ Assemble the Right armrest (G) to the Right seat frame (C) with Bolts (M) and Nuts (N) and Washers (O)



- ⑫ Insert the two mounts together

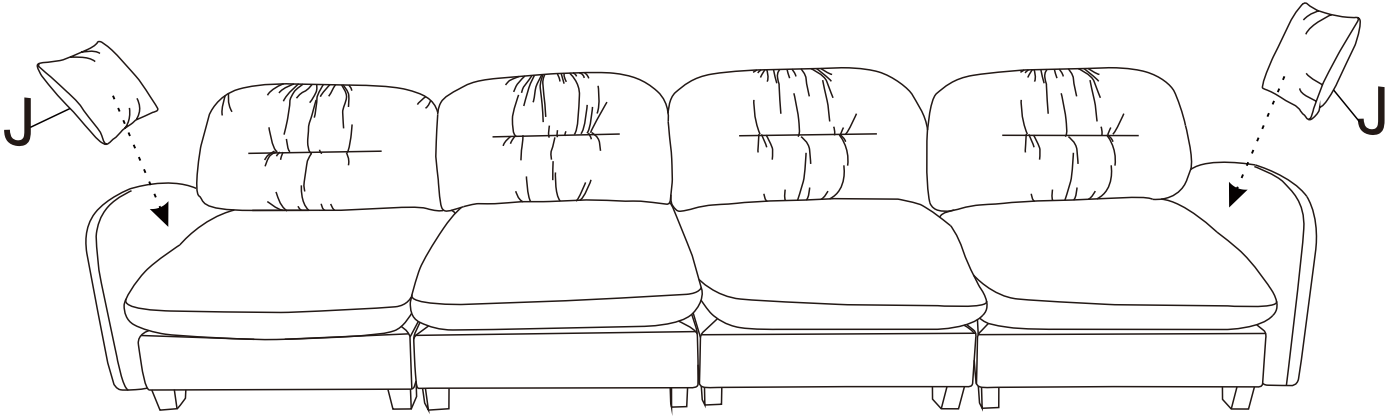


- ⑬ Put Back cushion (H) and Seat cushion (I) to the sofa



STEP 3

14 Put Pillow(J) to the sofa



15 Completed .

