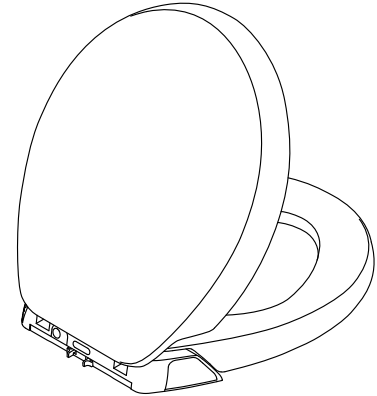


## Features

- Polypropylene plastic
- Round closed-front
- Contoured seat for user comfort
- Deodorizing System
- Dual LED nightlight
- Battery-operated (two D batteries)
- Easy-to-replace accessories



## Codes/Standards

IAPMO/ANSI Z124.5



## KOHLER® One-Year Limited Warranty

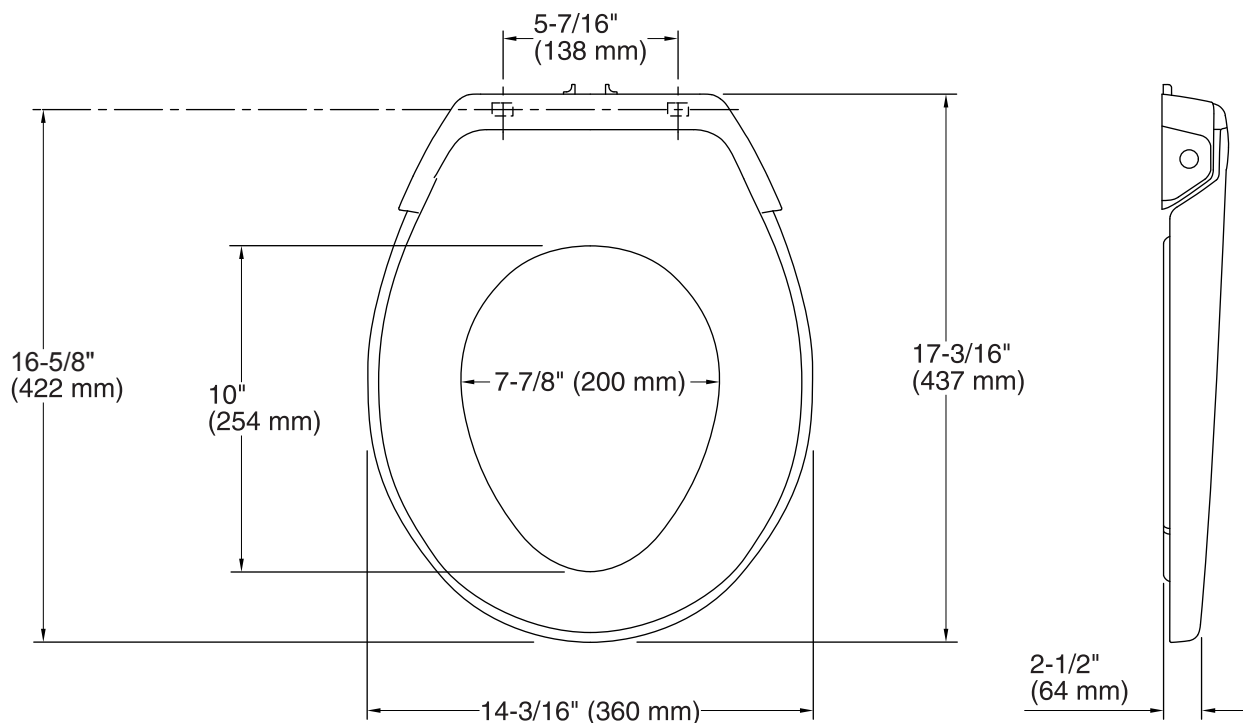
See website for detailed warranty information.

## Available Color/Finishes

*Color tiles intended for reference only.*

Color	Code	Description
-------	------	-------------

	0	White
	96	Biscuit



### Technical Information

All product dimensions are nominal.

Seat shape type: Round

Seat front type: Closed front

Seat hinge type: Quick-Attach®, Quick-Release™,  
Quiet-Close™

Seat-mounting holes: 5-7/16" (137 mm)

### Notes

Install this product according to the installation guide.

Requires two D-cell batteries, not included.