

If there are any missing parts, damaged packaging or broken panels,
please contact our service email for assistance:

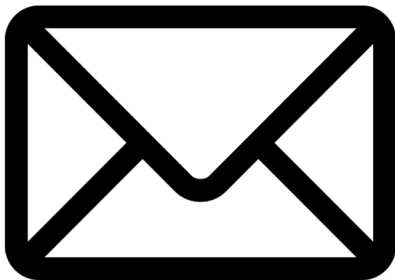
furni-service@outlook.com

CONTACT US!

Do Not return this product

If you encounter any missing parts, damaged packaging, or broken panels, please contact our customer service team for assistance:

①



Email:

furni-service@outlook.com

②



Amazon Message

③



Call or Message:

+1 (909) 960-3666

④

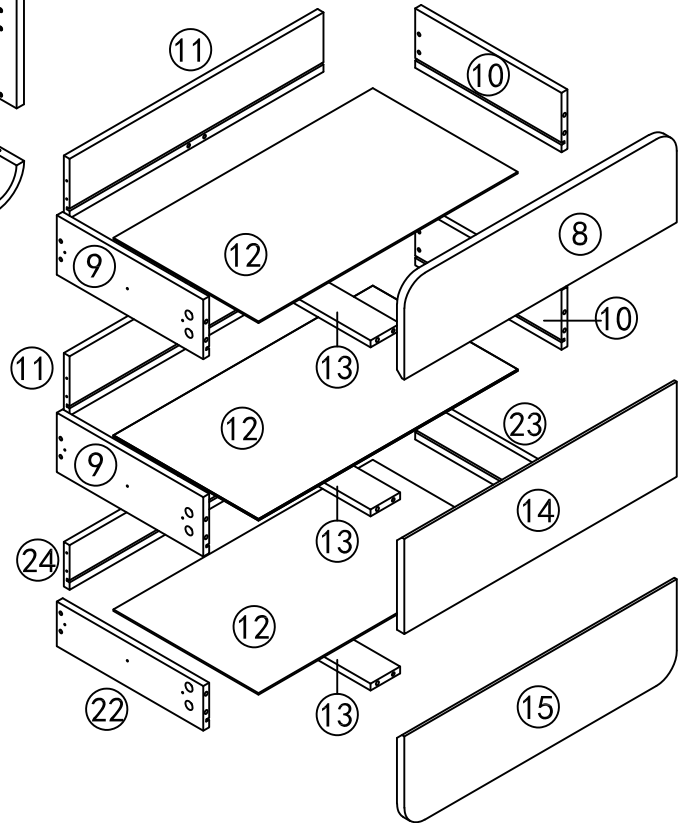
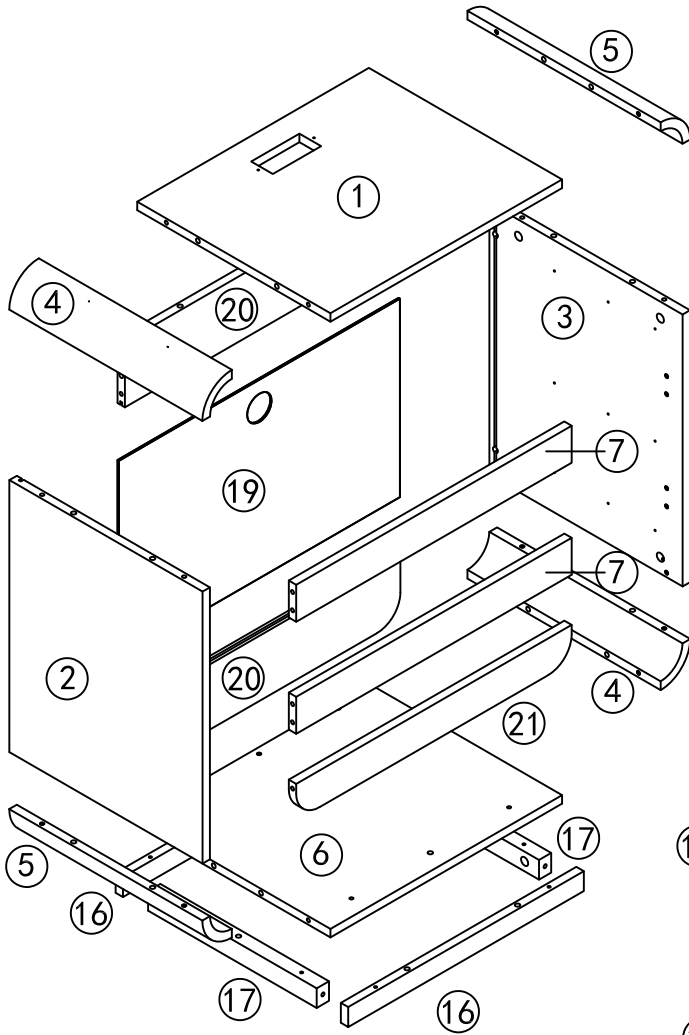


WhatsApp

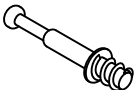

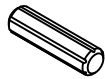
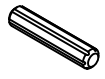
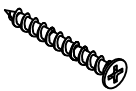

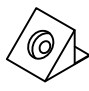


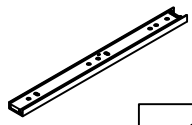

For faster resolution:

① Include your **order number** ② Attach **clear photos** of the issue

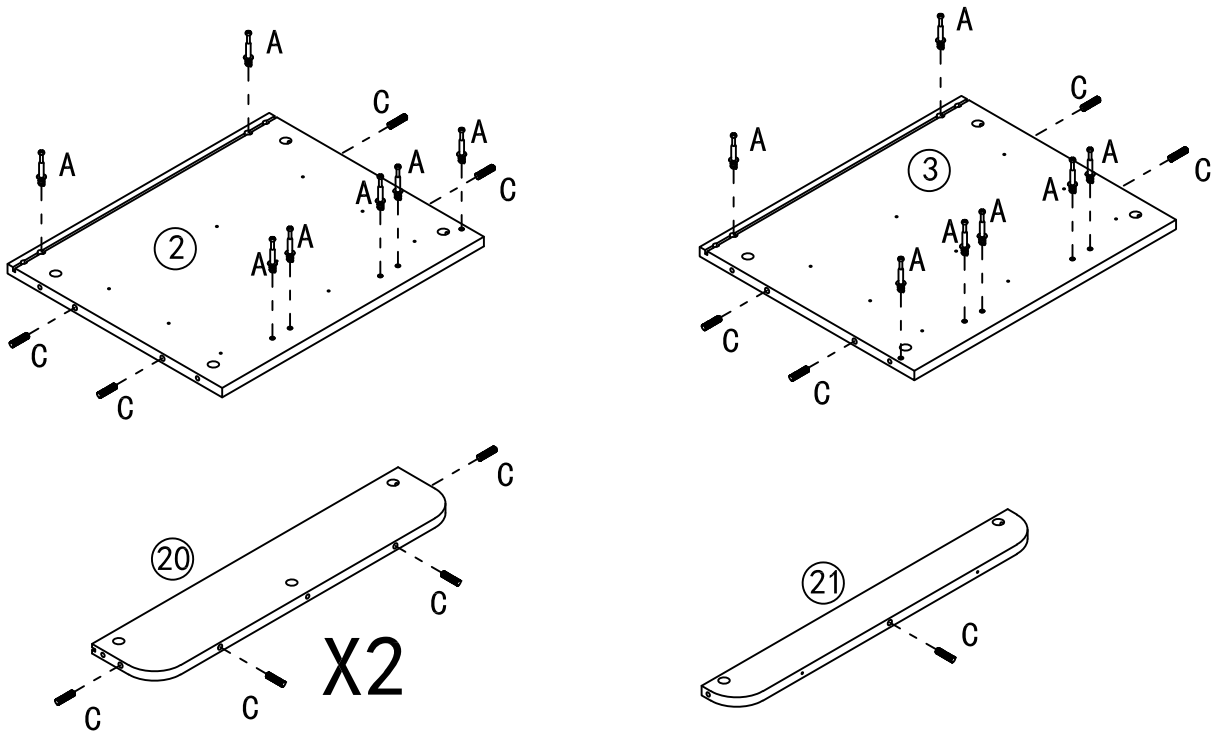
We appreciate your patience and cooperation, and we'll do our best to resolve your concern promptly. Thank you!



X2

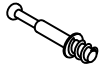
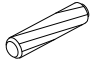
<p>A</p>  <p>M6*35MM 102+2PCS</p>	<p>B</p>  <p>15MM*9MM 102+2PCS</p>	<p>C</p>  <p>Ø8*30MM 62+2PCS</p>	<p>D</p>  <p>Ø6*30MM 12+1PCS</p>
<p>E</p>  <p>M4*30MM 50+2PCS</p>	<p>F</p>  <p>M3.5*12MM 72+2PCS</p>	<p>G</p>  <p>8+1PCS</p>	<p>H</p>  <p>M3*16MM 8+1PCS</p>
<p>I</p>  <p>2PCS</p>	<p>J</p>  <p>12PCS</p>	<p>K</p>  <p>M3*12MM 4PCS</p>	

STEP 1

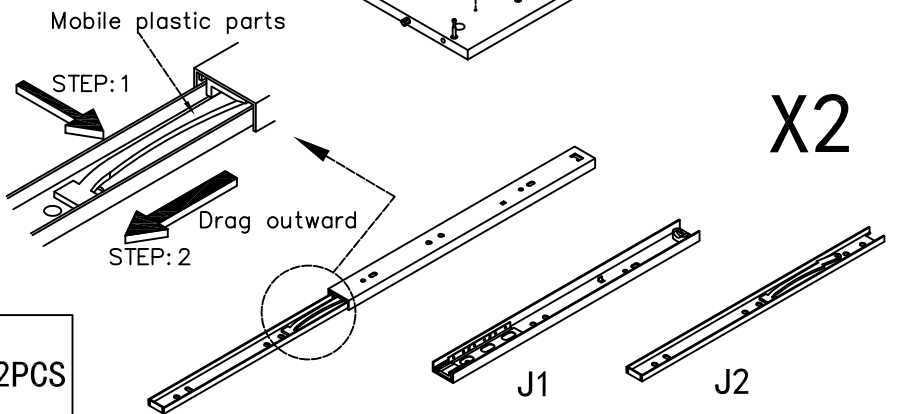
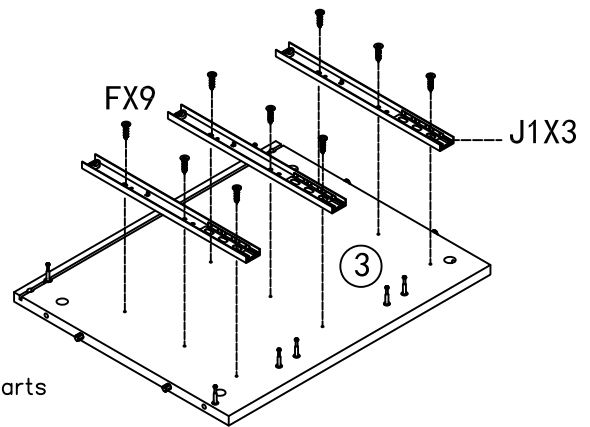
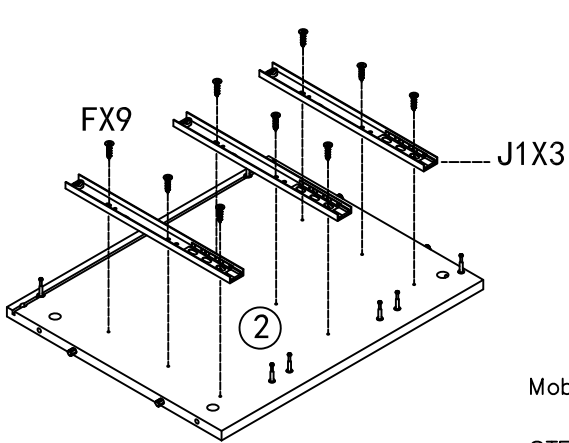
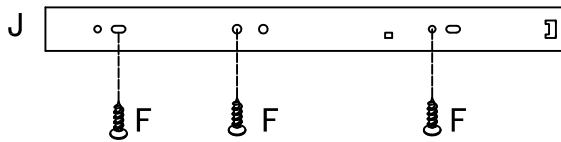


X2



X2

	A*28PCS		C*34PCS
--	---------	---	---------

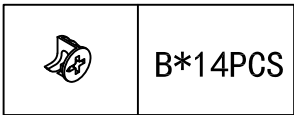
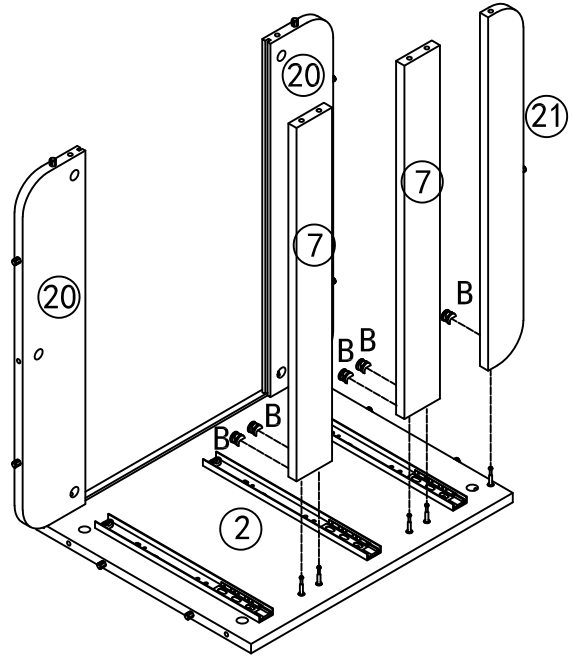
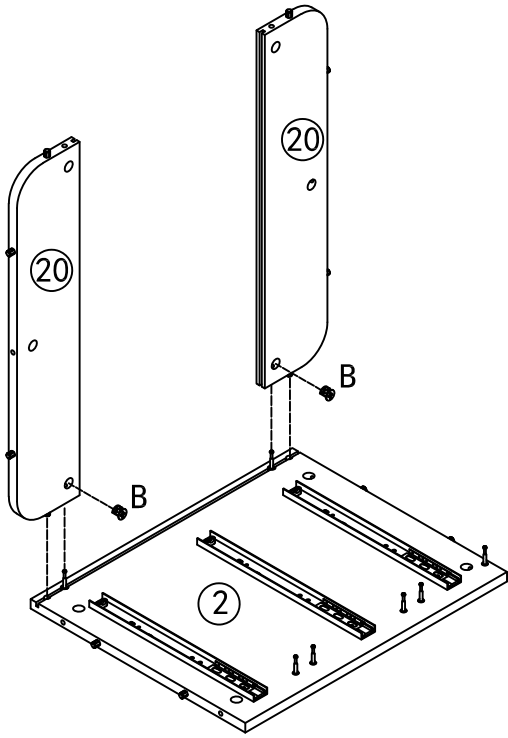
STEP 2



X2

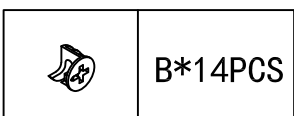
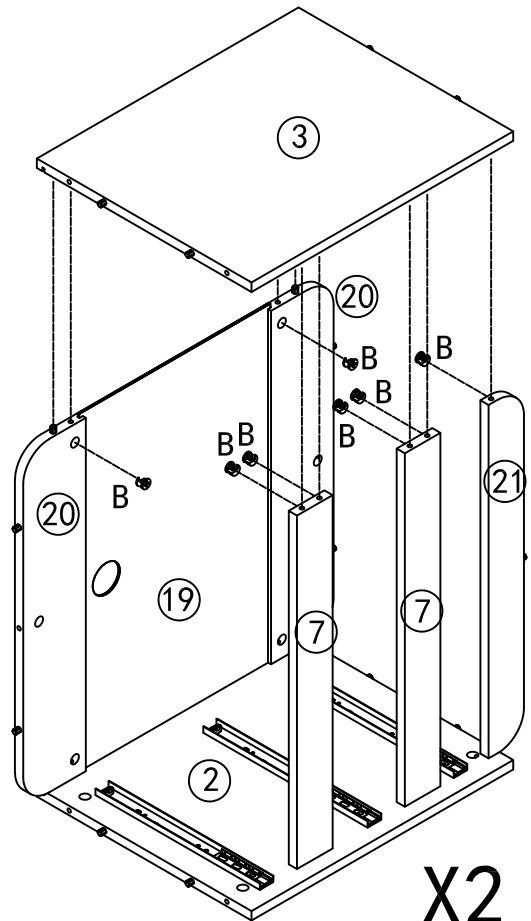
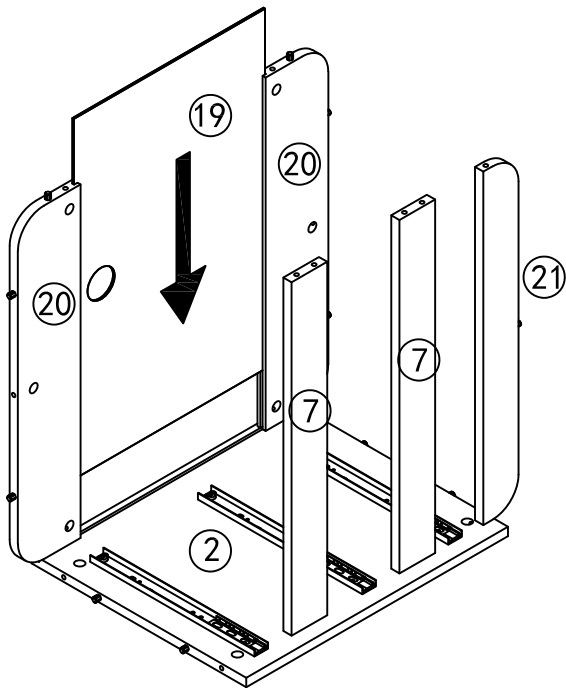
	F*36PCS		J1*12PCS
---	---------	---	----------

STEP 3



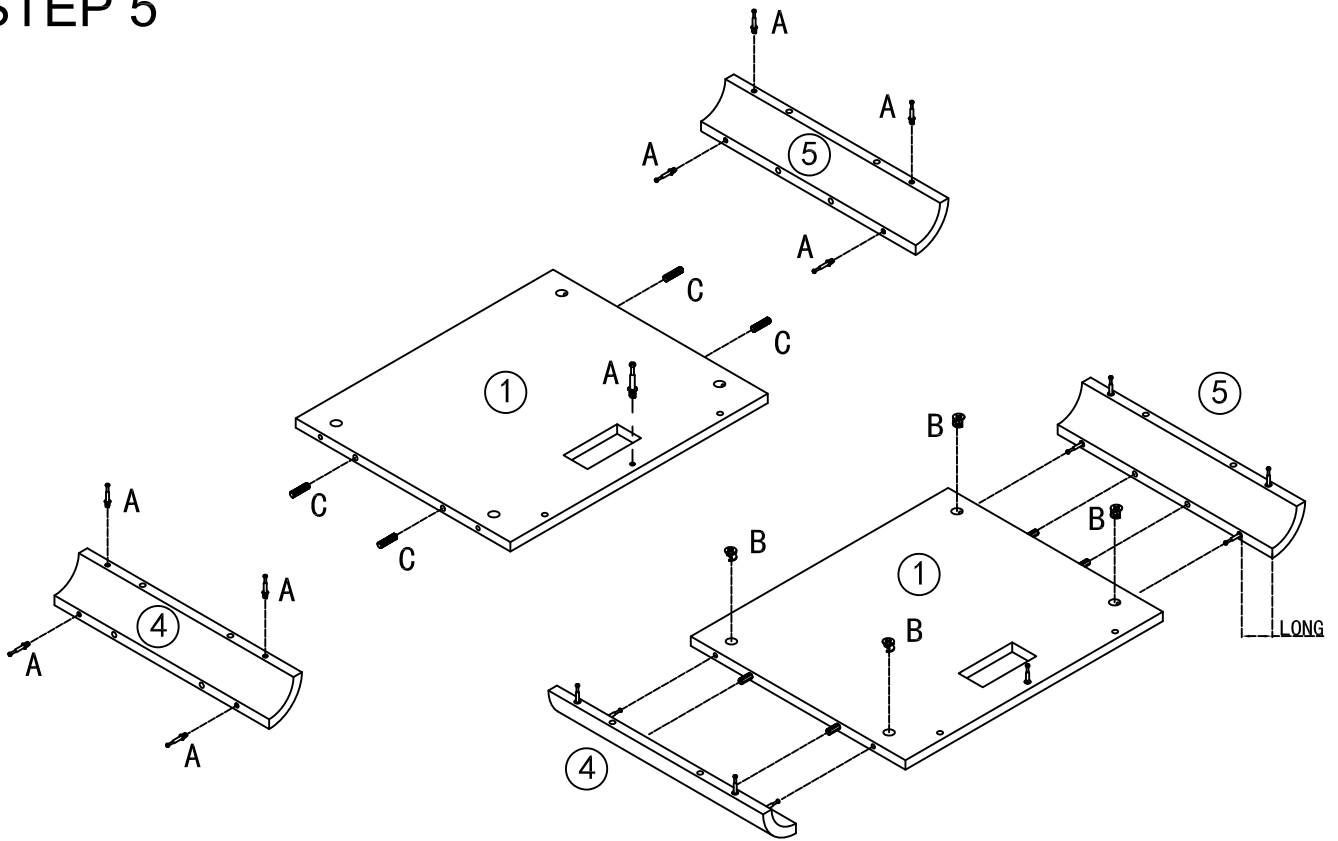
X2

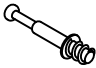

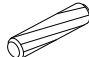
STEP 4



X2

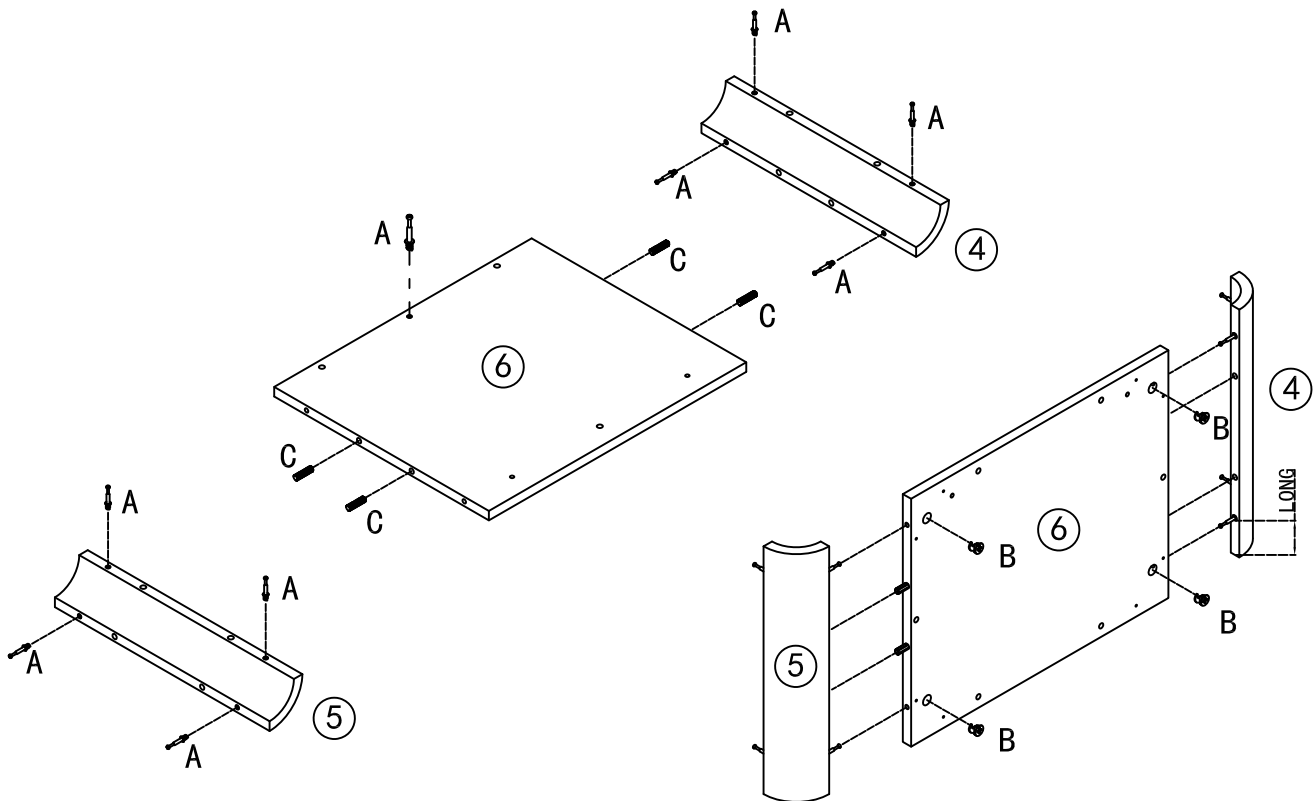
STEP 5

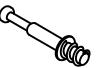

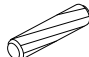


	A*18PCS		B*8PCS		C*8PCS
---	---------	---	--------	---	--------

X2

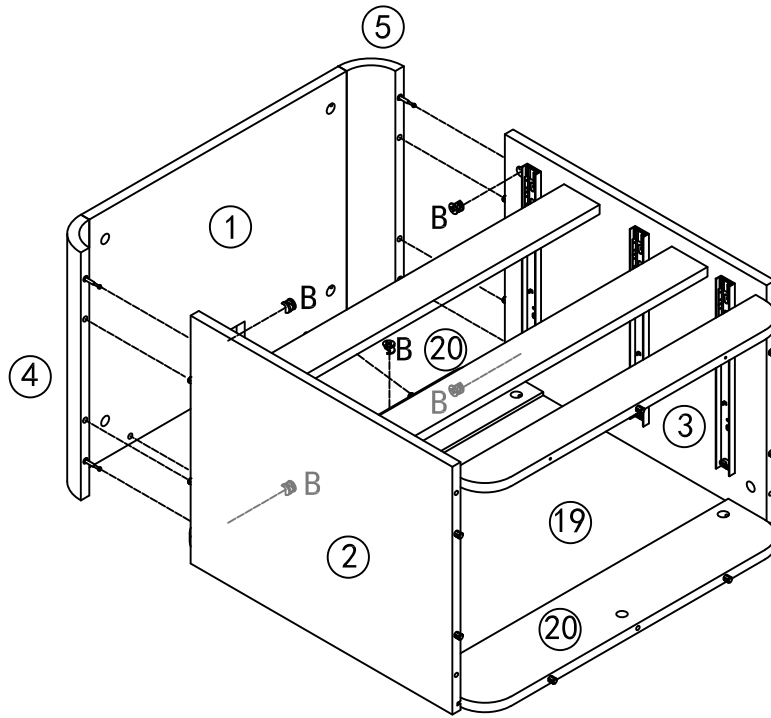
STEP 6




	A*18PCS		B*8PCS		C*8PCS
---	---------	---	--------	---	--------

X2

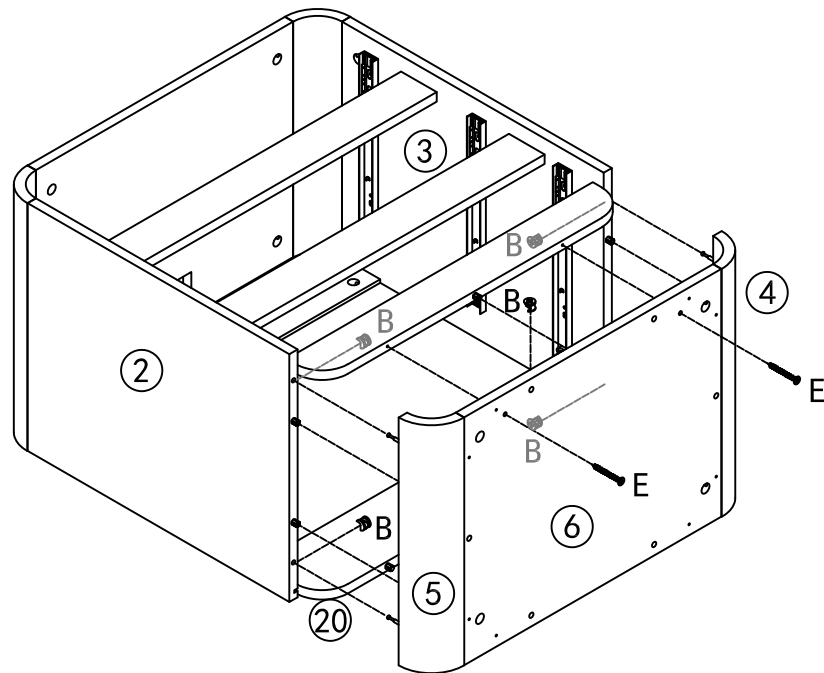
STEP 7





	B*10PCS
---	---------

X2

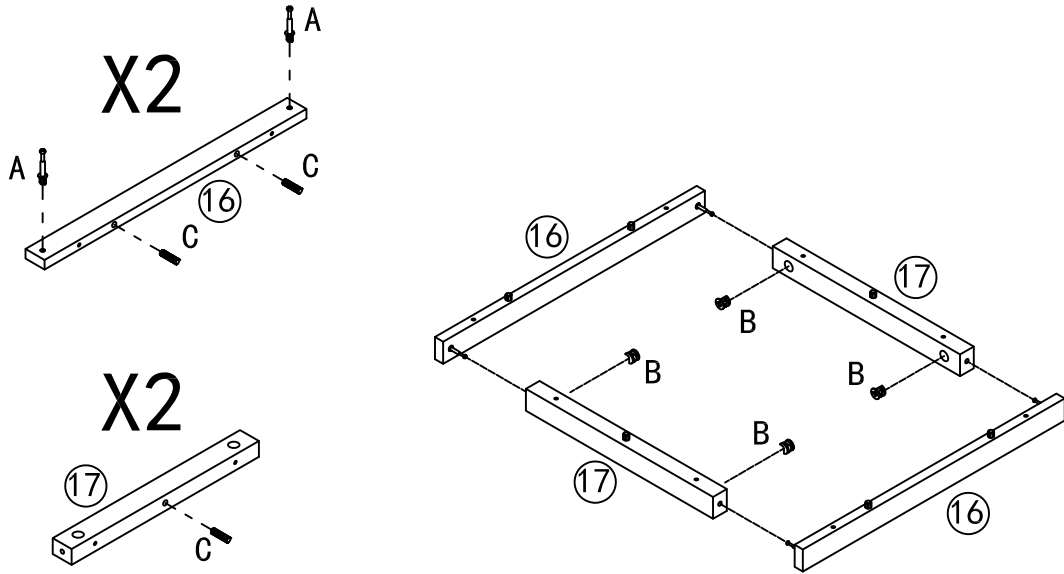
STEP 8

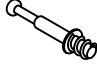

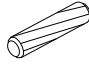


	B*10PCS		E*4PCS
---	---------	---	--------

X2

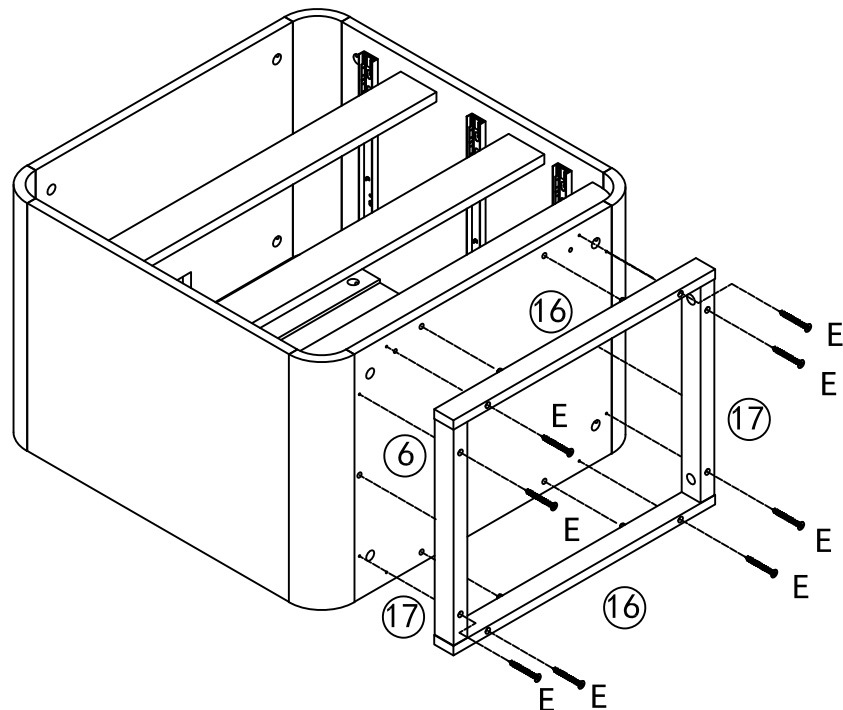
STEP 9




	A*8PCS		B*8PCS		C*12PCS
---	--------	---	--------	---	---------

X2

STEP 10

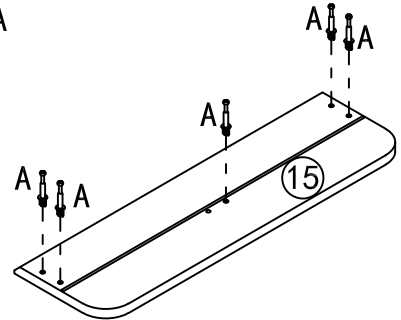
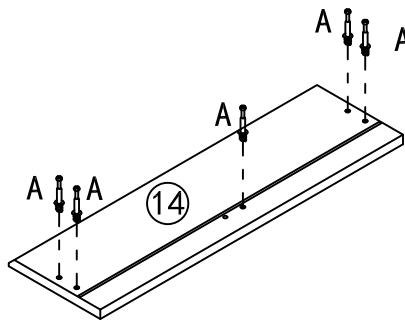
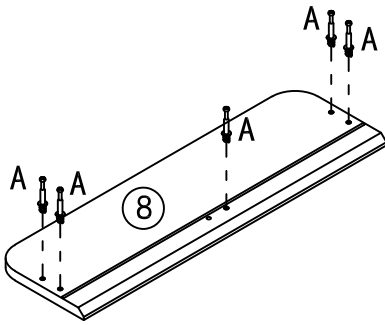
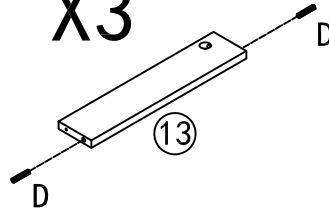


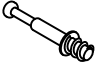
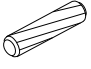
	E*16PCS
---	---------

X2

STEP 11

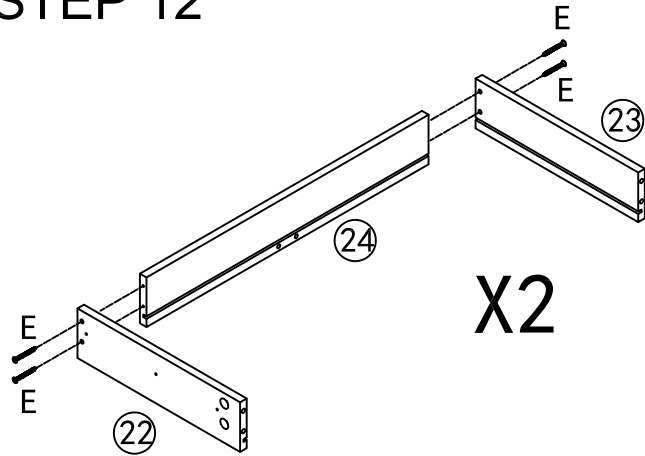
X3



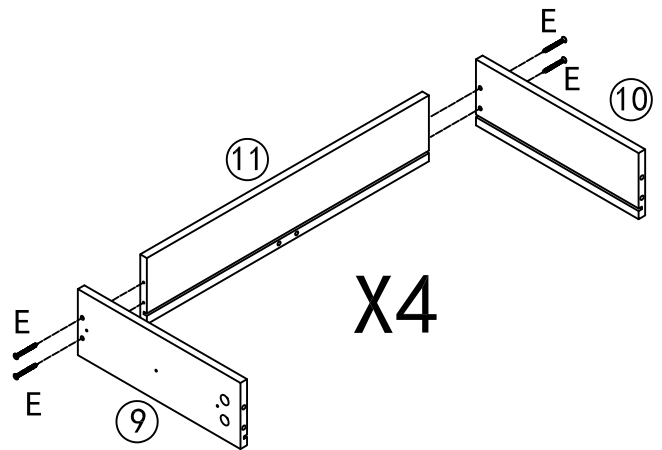
	A*30PCS		D*12PCS
---	---------	---	---------

X2

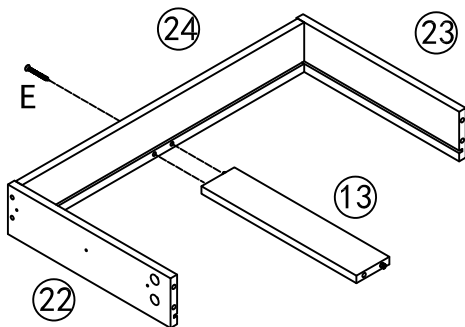
STEP 12



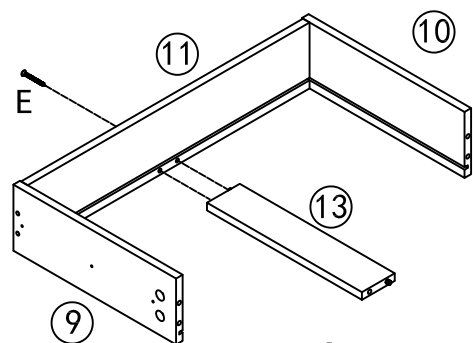
X2




X4



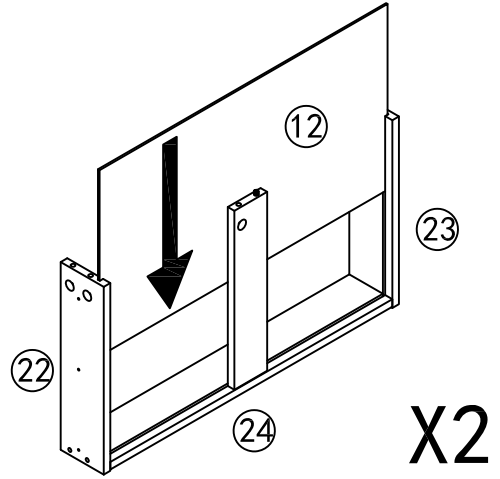
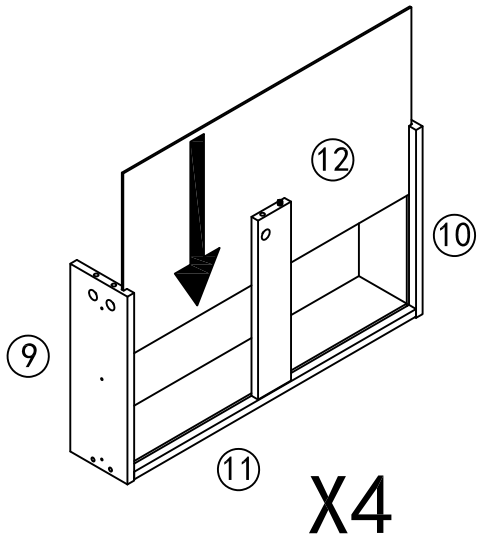
X2



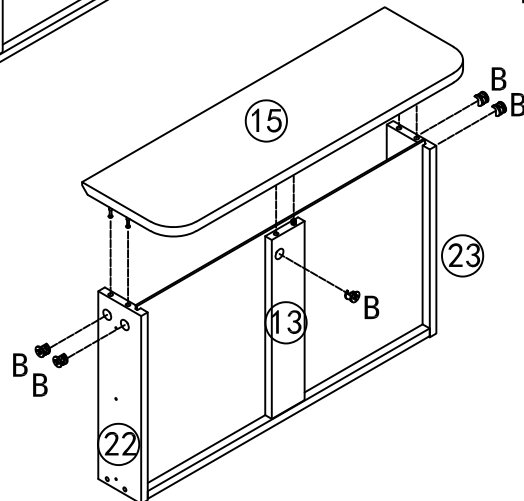
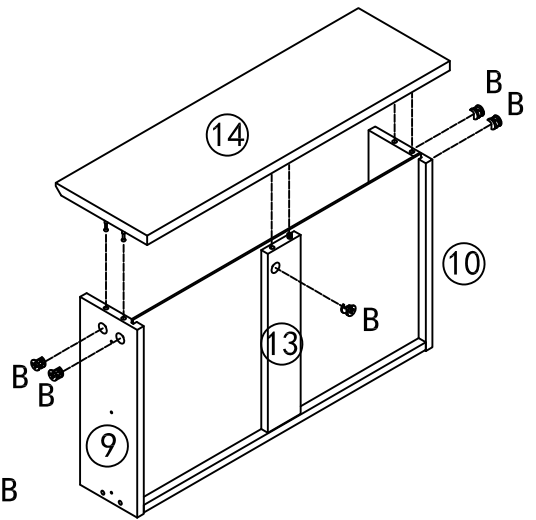
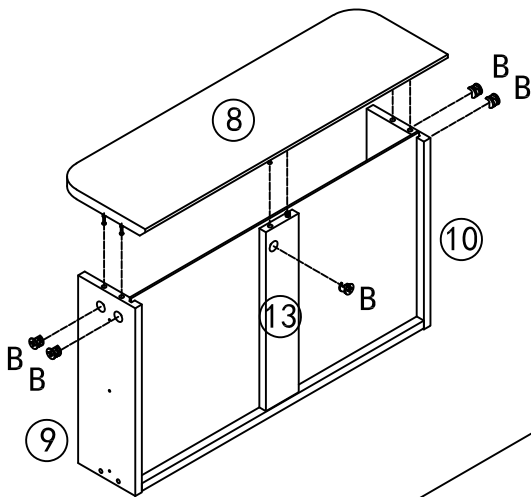
X4

	E*30PCS
---	---------

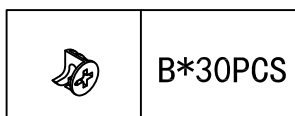
STEP 13



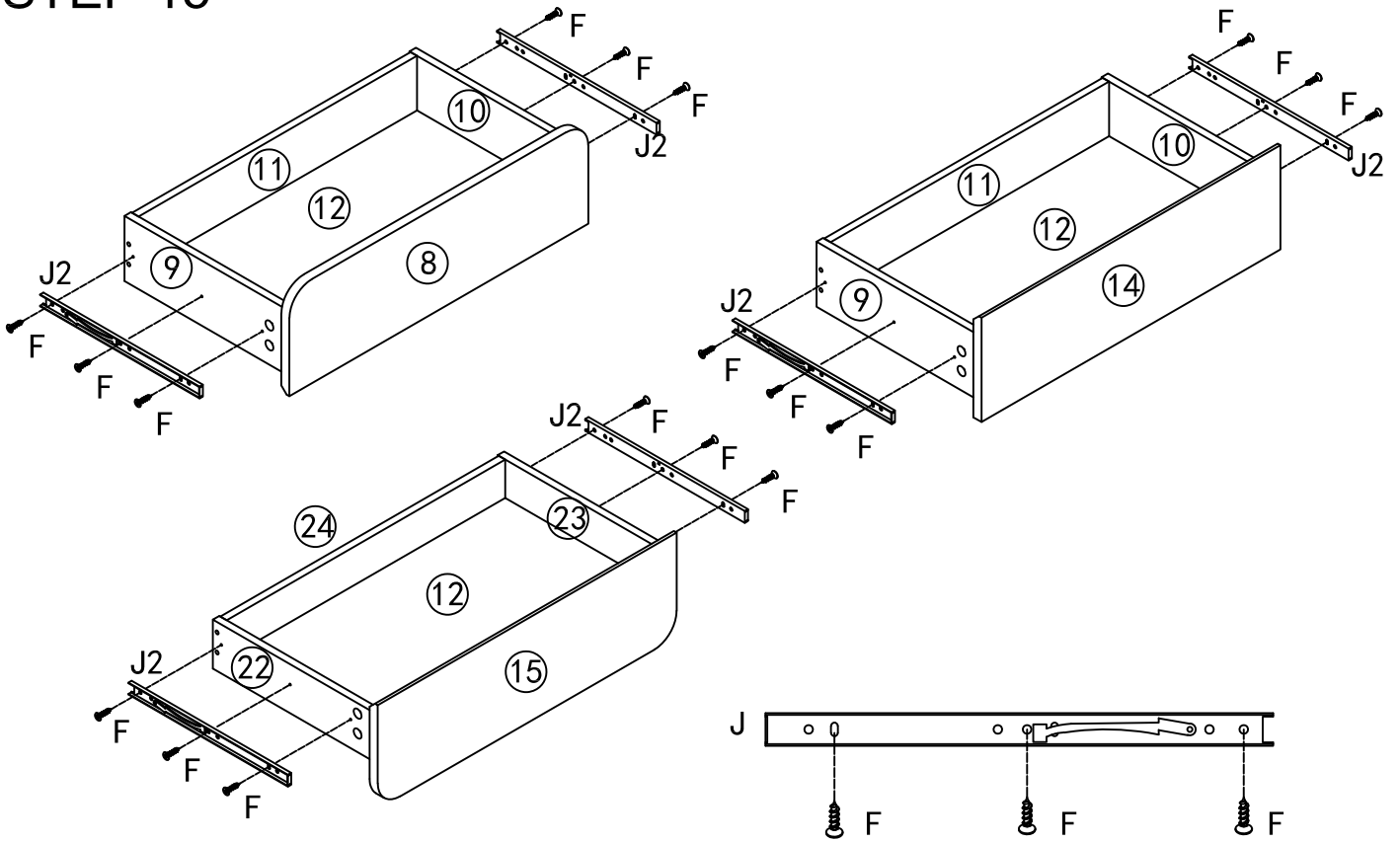
STEP 14





X2



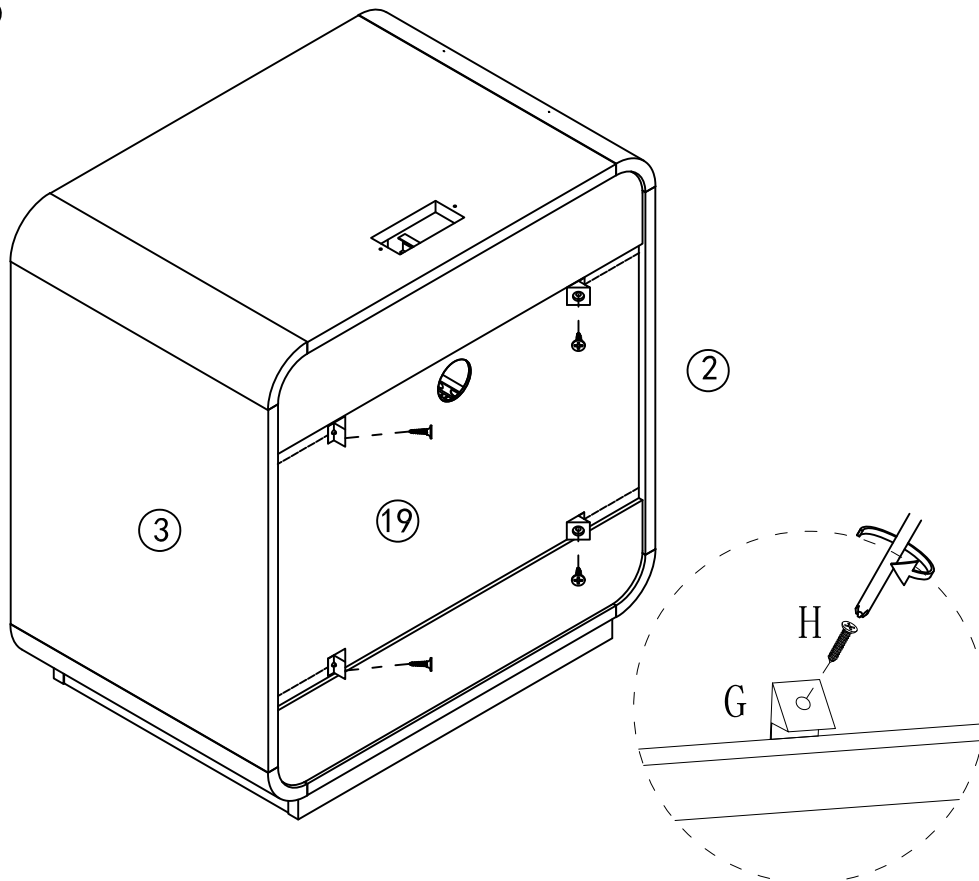
STEP 15





	F*36PCS		J2*12PCS
---	---------	---	----------

X2

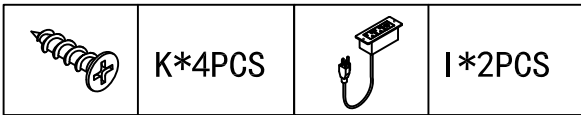
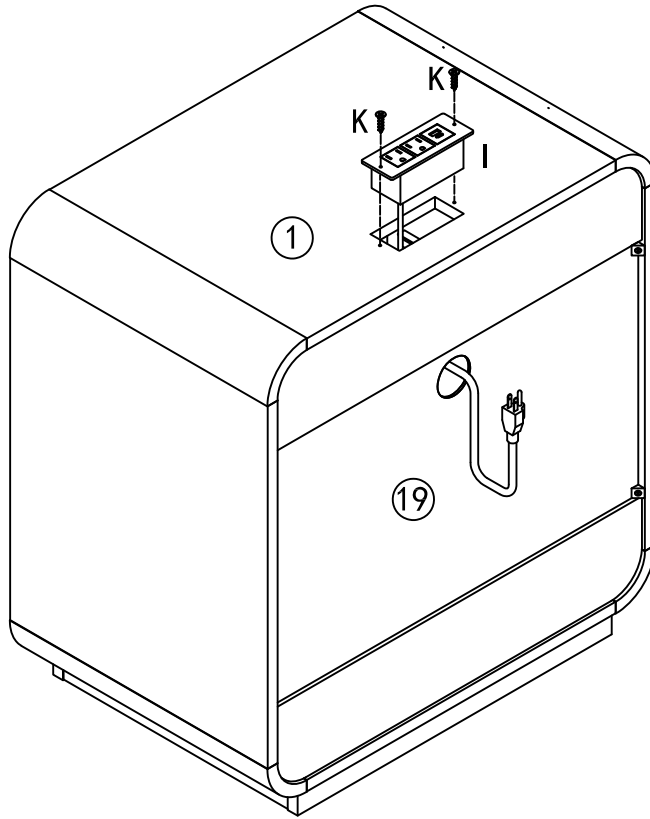
STEP 16



	G*8PCS		H*8PCS
---	--------	---	--------

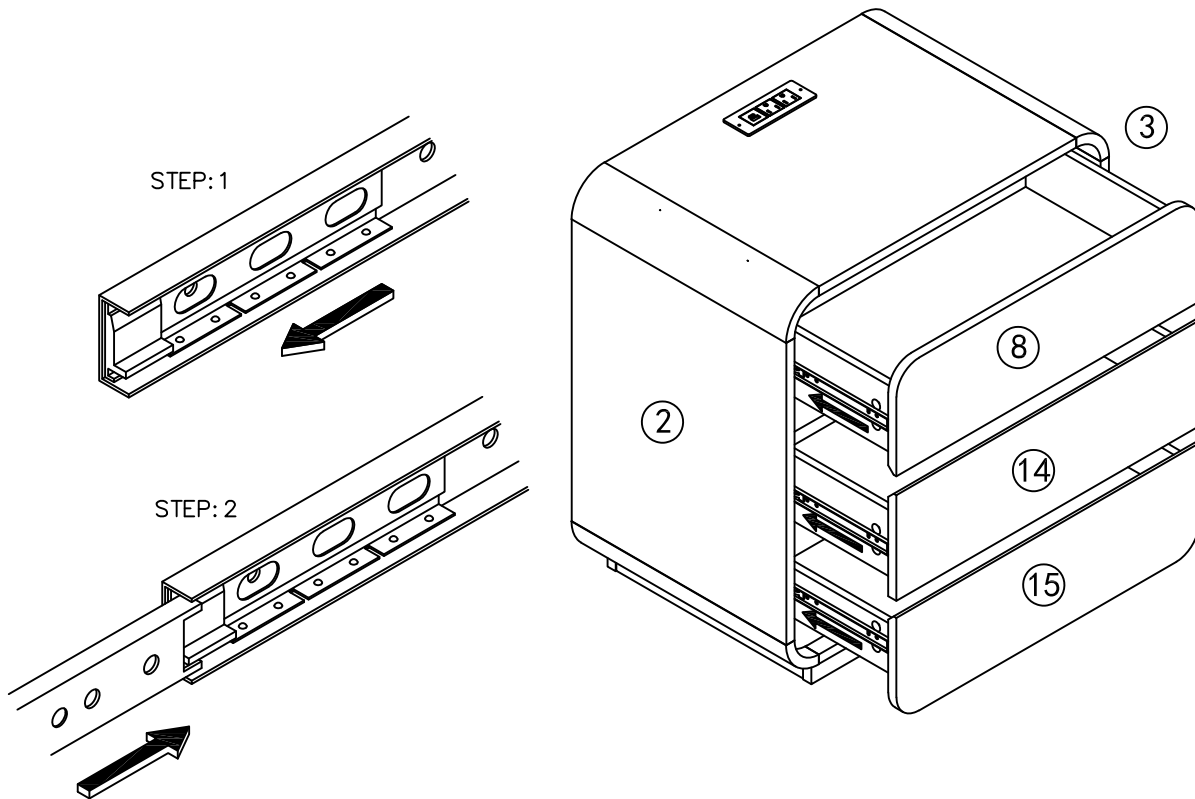
X2

STEP 17



X2

STEP 18



X2

THANK YOU!

Contact our friendly
customer service team first for help

①



Email:

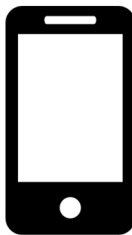
furni-service@outlook.com

②



Amazon Message

③



Call or Message:

+1 (909) 960-3666

④



WhatsApp

If you have any questions, please leave the **order No.**
and **related picture** information, we will reply you
within 24 hours, and solve the problem as soon as possible.