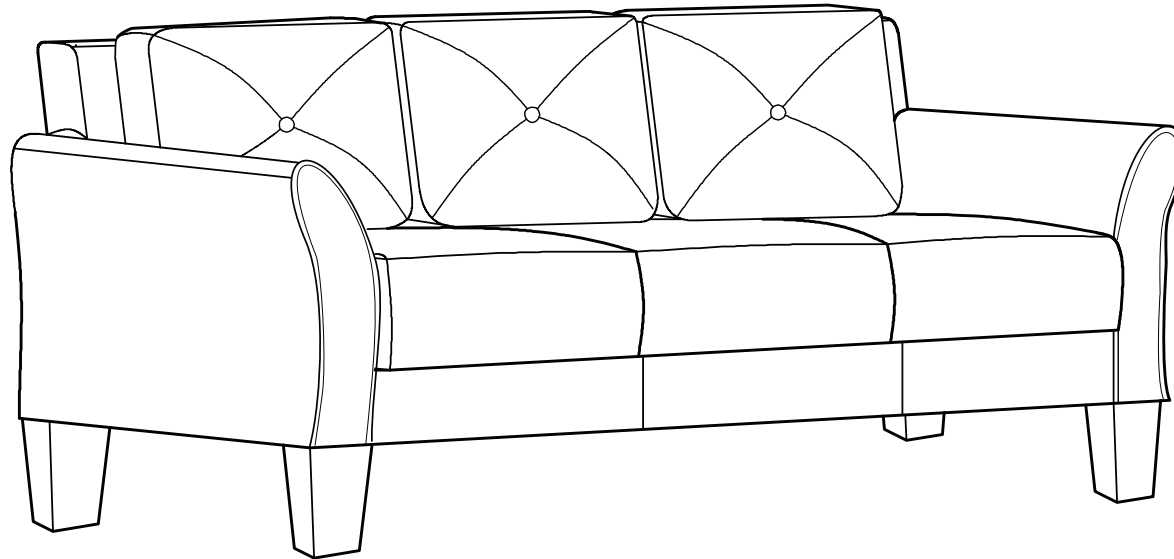


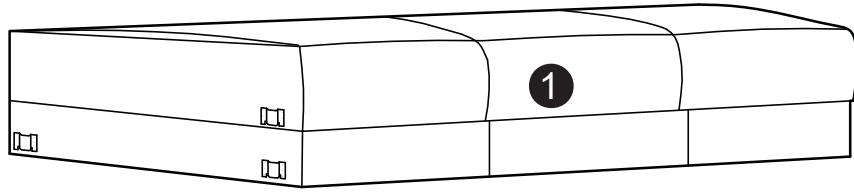
ASSEMBLY INSTRUCTIONS



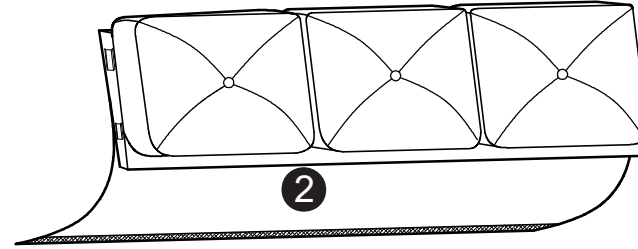
WARNING

- This product has been designed for seating three (3) average adults. To prevent injury and damage to this unit, PROHIBIT jumping on it.
 - This product is designed for home use and not intended for commercial use.
 - Children under the age of 5, small infants and babies should not sleep alone on this product for safety reasons.
 - Recommended # of people needed for handling: 2 (however it is always better to have an extra hand.)
 - THIS INSTRUCTION BOOKLET CONTAINS **IMPORTANT** SAFETY INFORMATION. PLEASE READ AND KEEP FOR FUTURE REFERENCE.
-

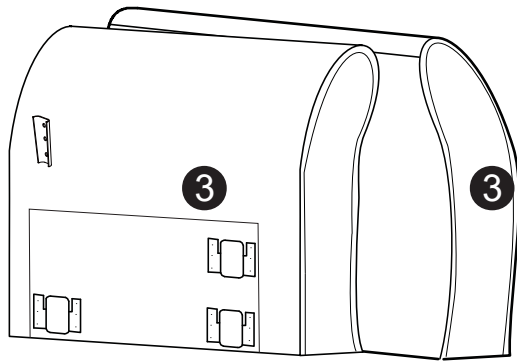
PARTS



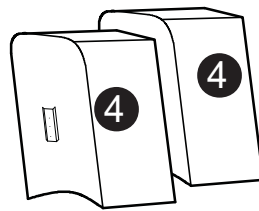
Seat Body
QTY:1



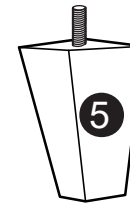
Backrest
QTY:1
(In the storage undurneath of seat body)



Arm
QTY:1 Pair
(In the storage underneath of seat body)



Backrest Ear Piece
QTY:1Pair

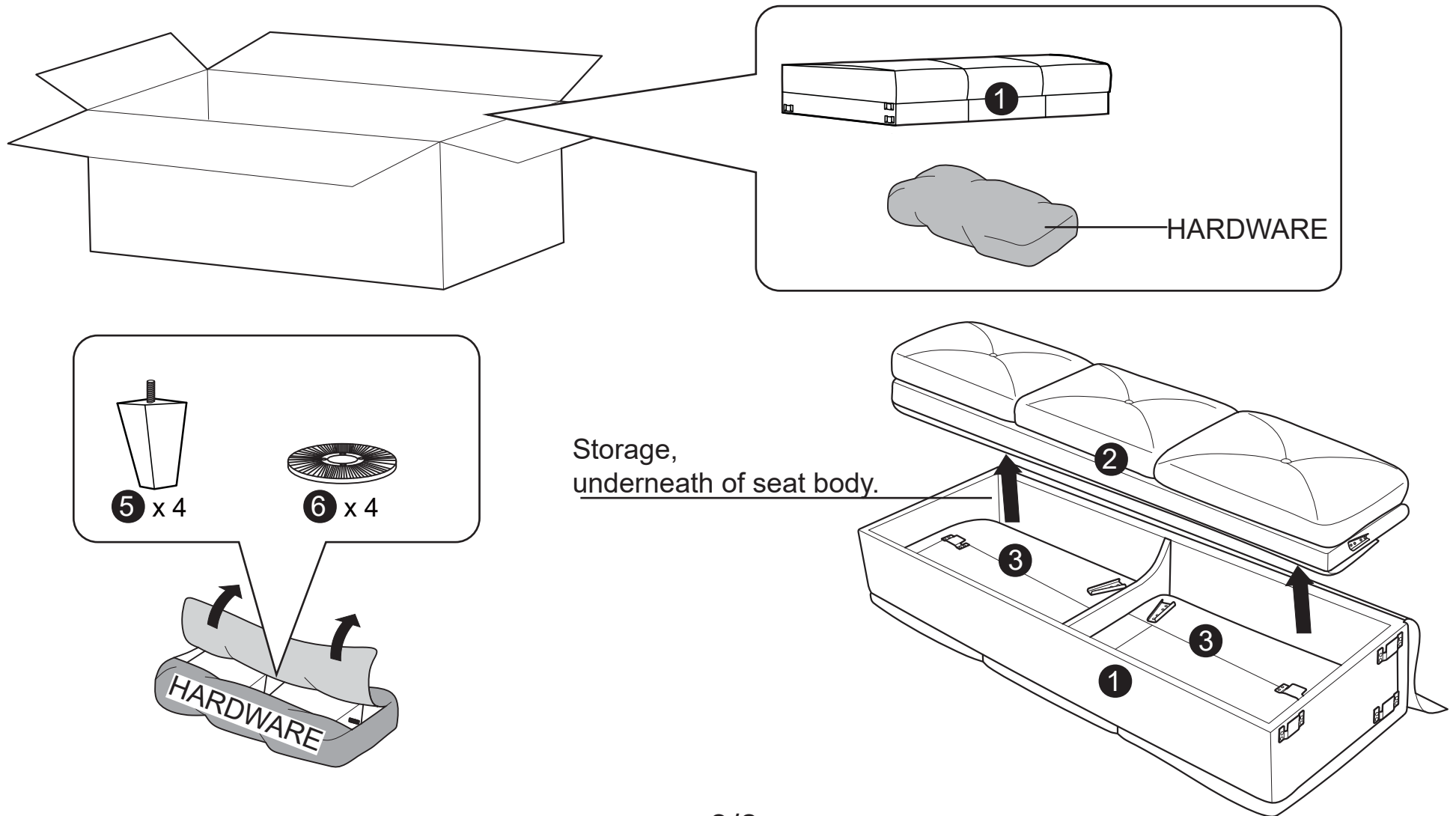


Leg
QTY:4

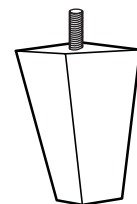


M10 Washer
(Outer Dim:45mm)
QTY:4

Step 1 : Carefully unpack parts/hardware from box and storage of seat body, place on a clean flat surface.



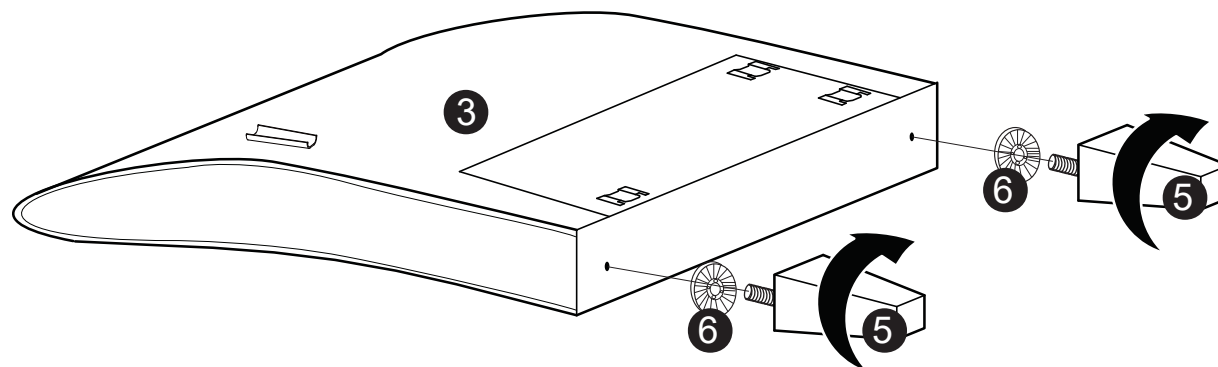
Step 2 : Place both arms as shown below, secure two legs and plastic washers into pre-drilled holes on the bottom of arms. Please avoid overtightening.



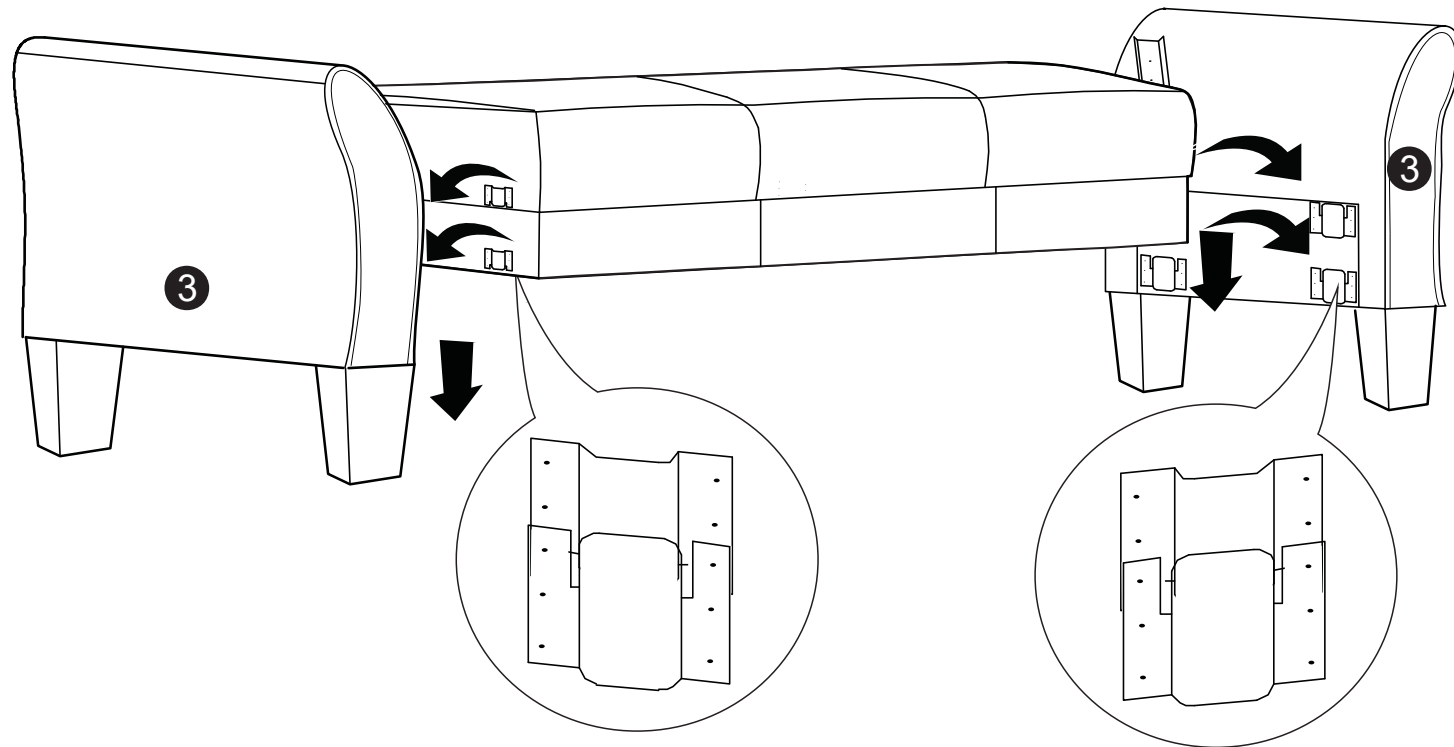
5 × 4



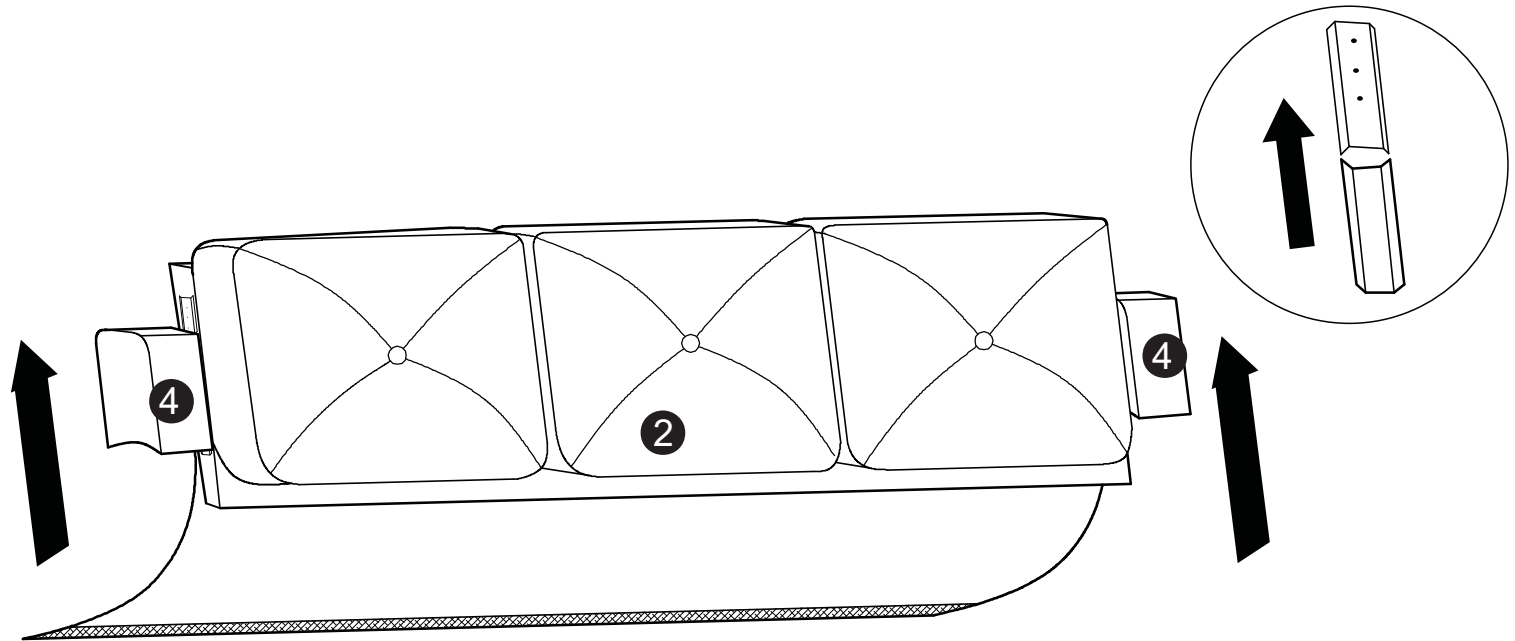
6 × 4



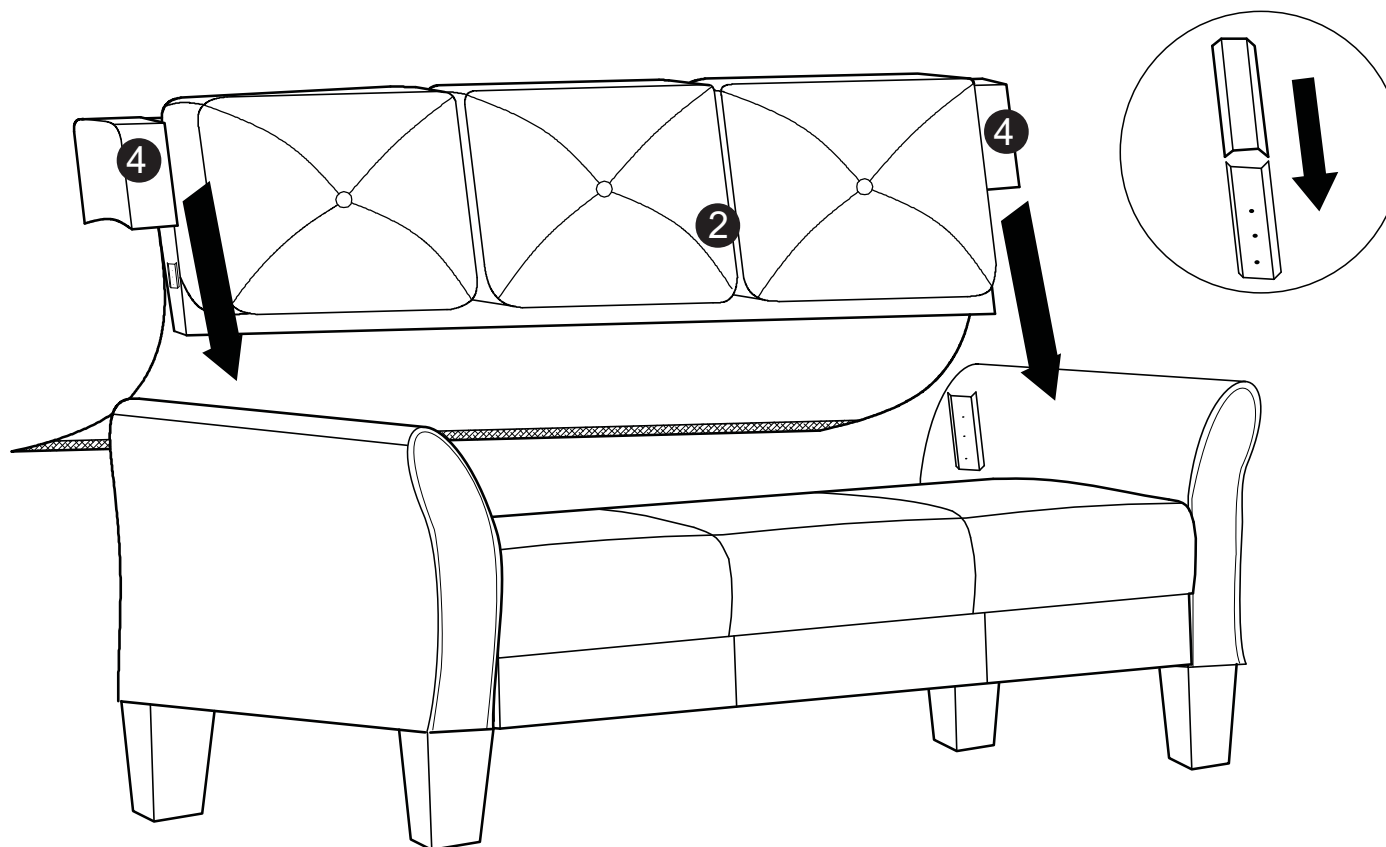
Step 3 : Carefully lift and turn assembled arms onto its legs. Insert seat body metal plates to both arms as shown below. Ensure it is correctly in place.



Step 4 : Insert backrest with ear piece metal plates to both arms as shown below. Ensuring is correctly in place.



Step 5: Insert backrest metal plates to both arms as shown below. Ensuring it is correctly in place.



Step 6 : Finally, stretch and pull down rear cover evenly before securing velcro strip to seat base. Repeat if necessary for better fit.

