

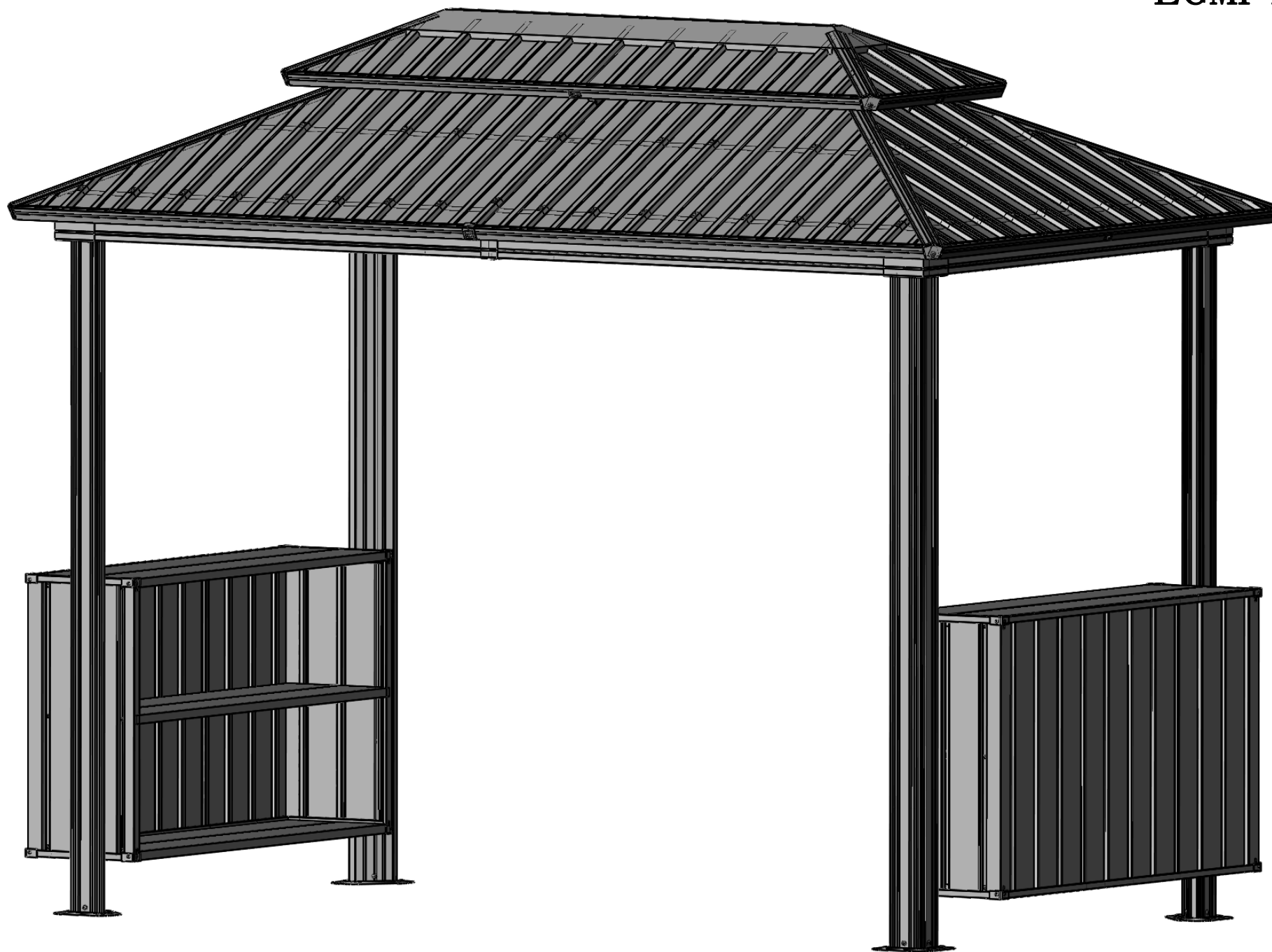
6'x10'

SKU: LGMF1661

METAL GRILL GAZEBO

Assembly Manual

LGMF1661



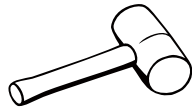
Pre-assembly

TOOLS THAT MAY BE REQUIRED (Not included in boxes)

*NOTE: Tools / equipment are not shown to actual size and scale.



LEVEL



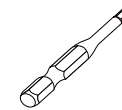
RUBBER Mallet



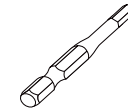
PHILLIPS SCREW



DRILL



ALLEN KEY



ALLEN KEY

EQUIPMENT REQUIRED (Not included in boxes)

*NOTE: Equipment are not shown to actual size and scale.



SAFETY HAT



GLOVES



SAFETY GOGGLES



STEPLADDER

Matters needing attention

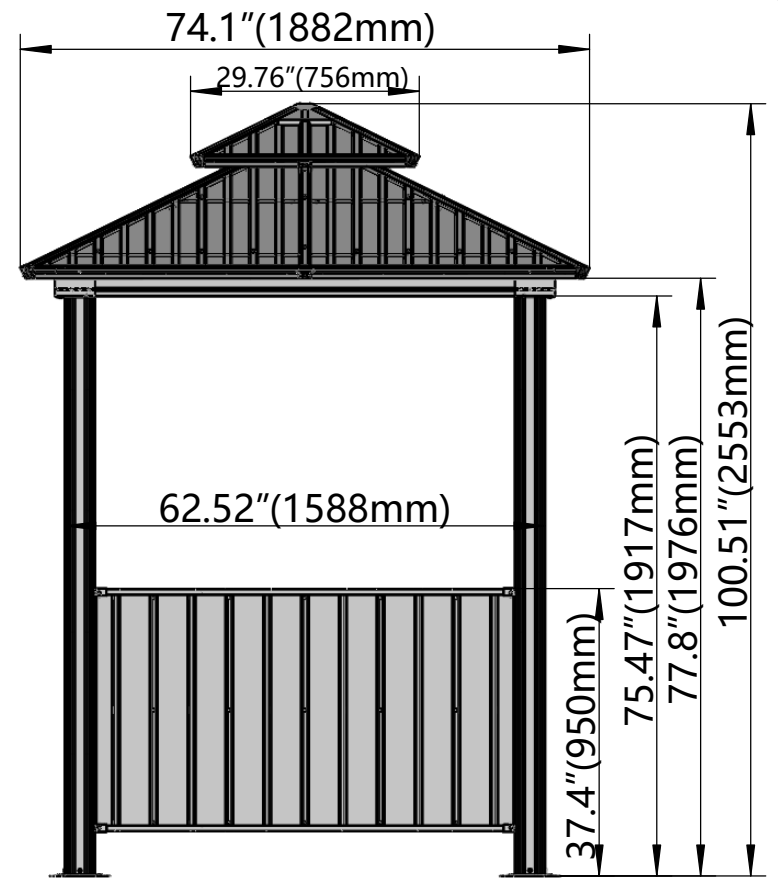
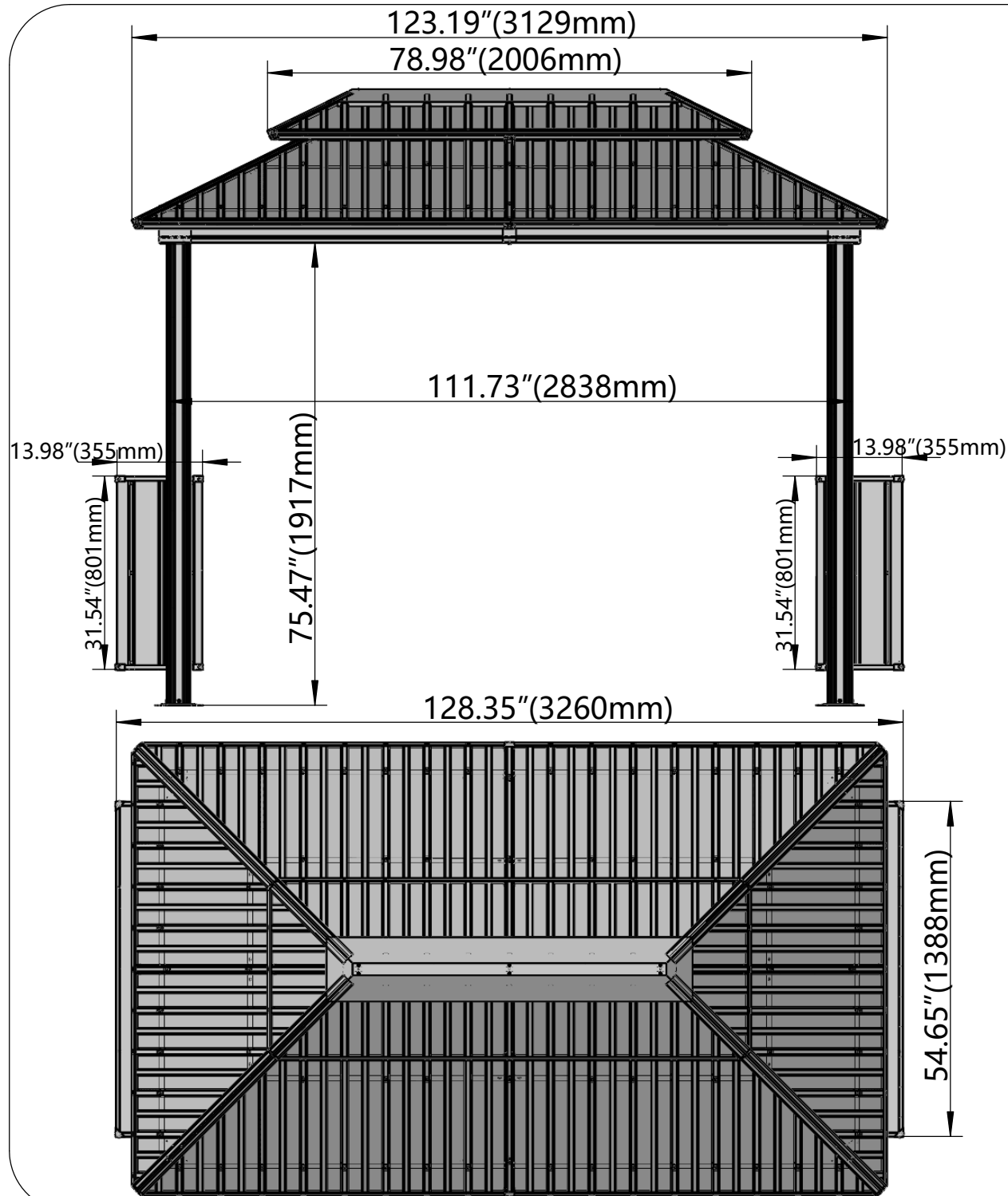


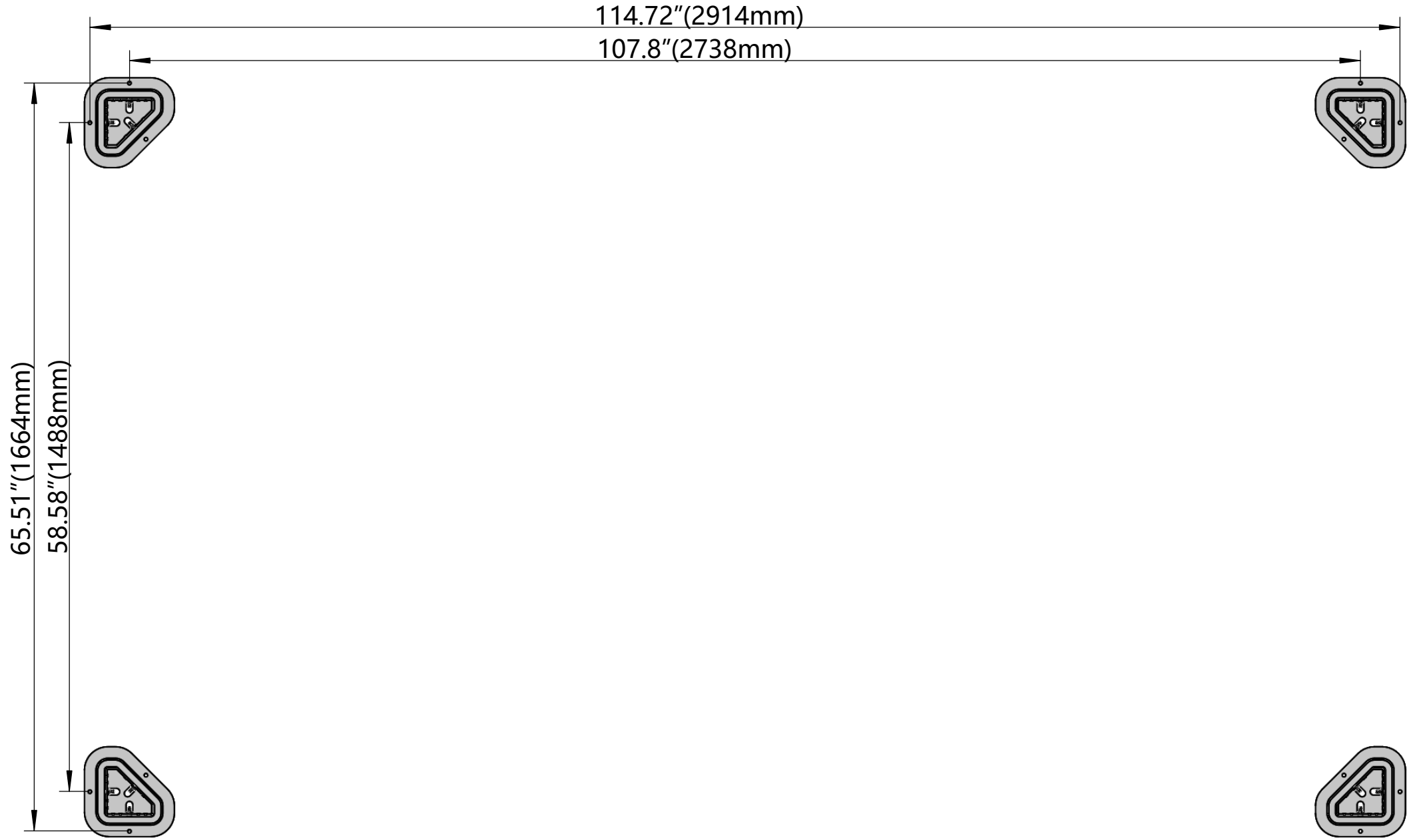
1. Two or more people are required for assembly.

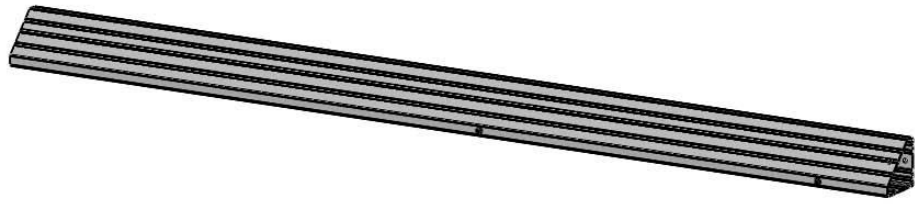


2. Do not fully tighten screws prior to complete assembly.

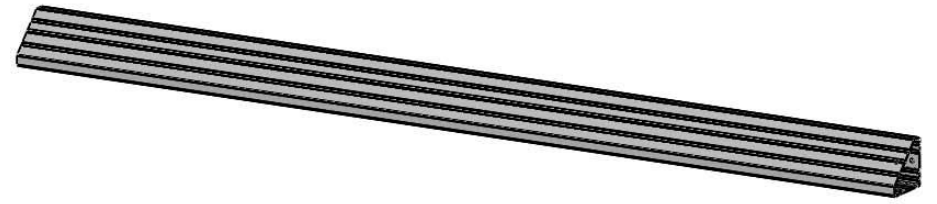
A NOTICE IMPORTANT: A gazebo may entail purchasing a municipal permit or be subject to specific building codes. It is the consumer's responsibility to inform themselves of any restrictions.



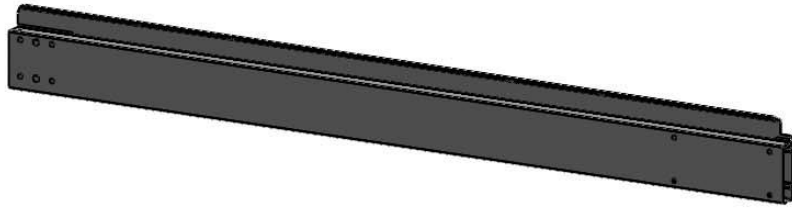




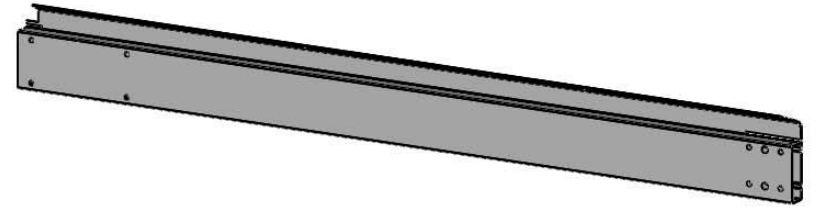
A₁ 2X



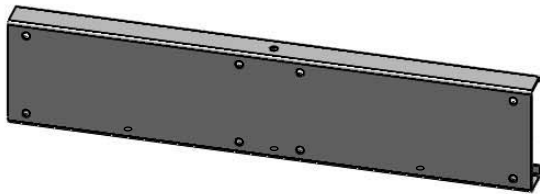
A₂ 2X



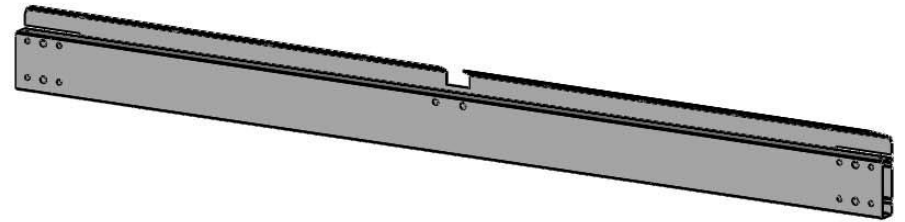
B₁ 2X



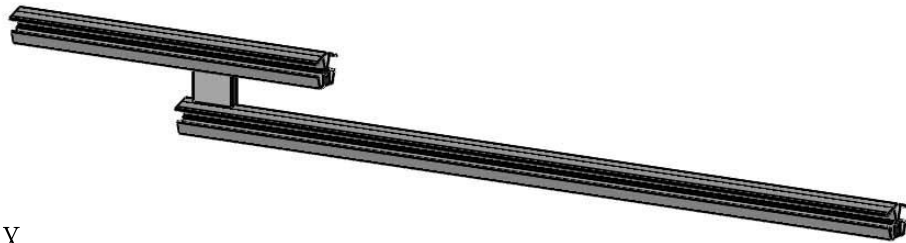
B₂ 2X



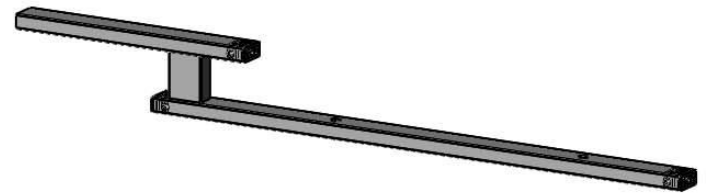
B₃ 2X



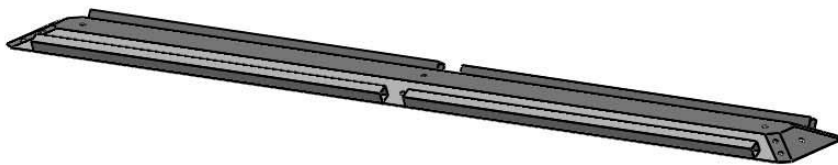
C 2X



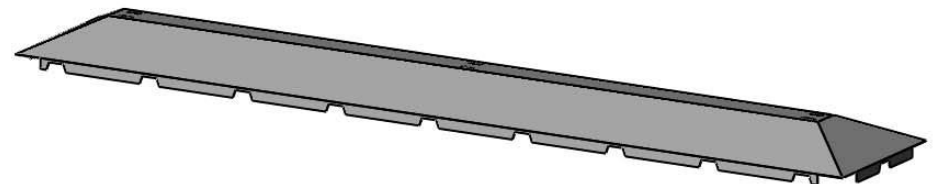
D₁ 4X



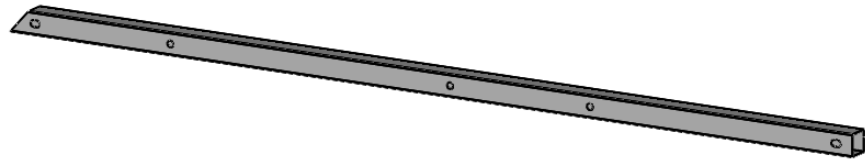
D₂ 4X



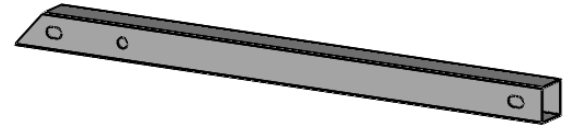
E₁ 1X



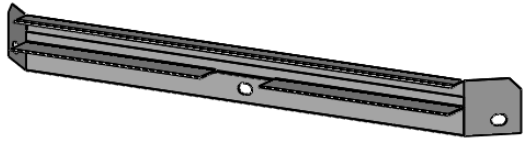
E₂ 1X



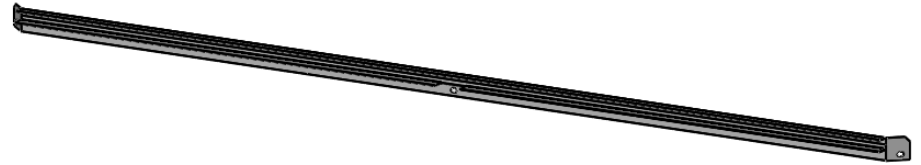
F1 4X



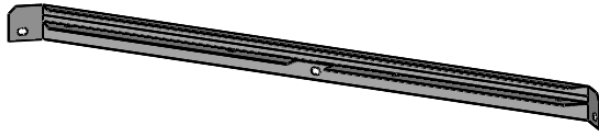
F2 4X



G1 2X



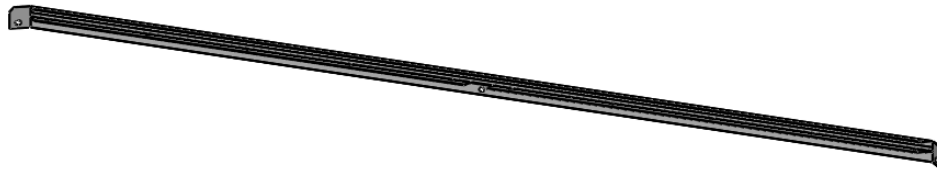
G2 2X



H1 2X



H2 2X



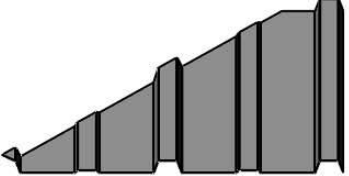
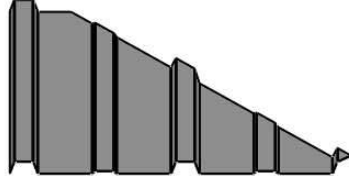
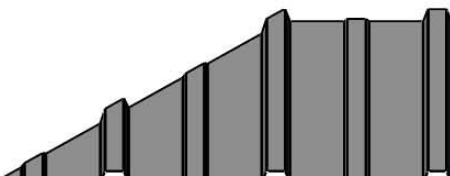
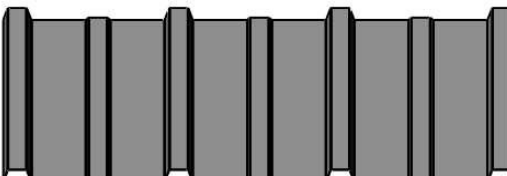
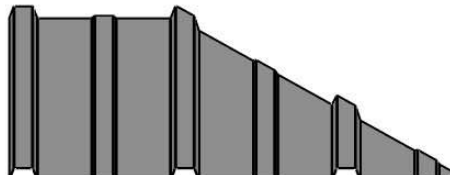
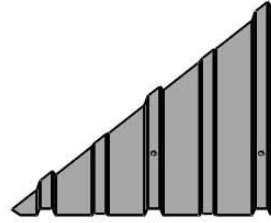
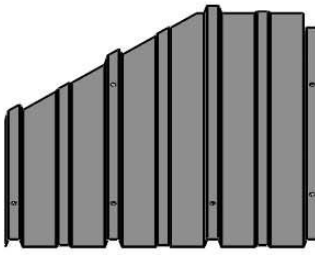
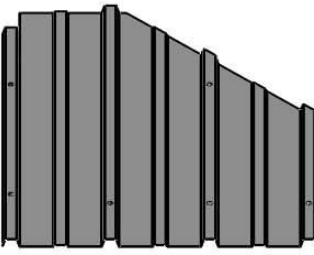
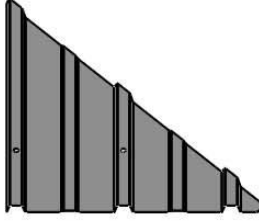
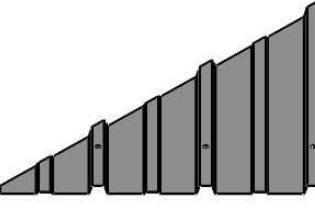
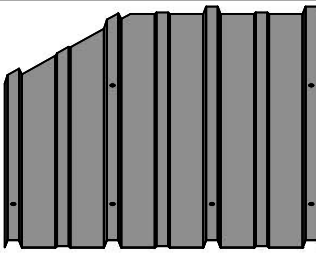
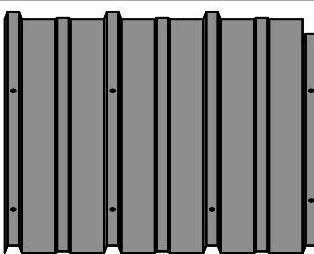
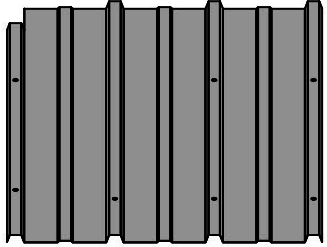
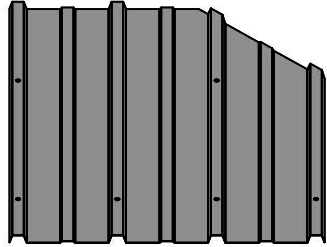
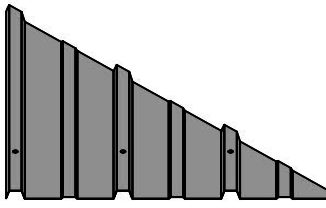
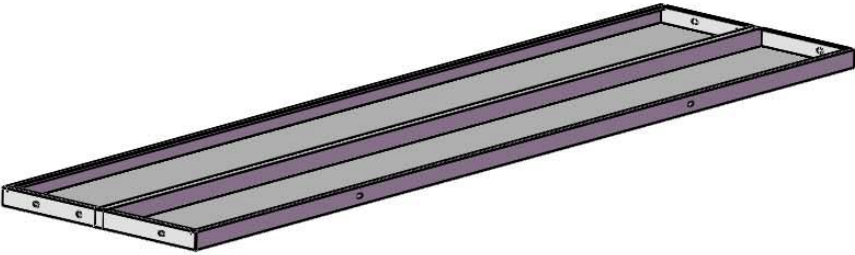
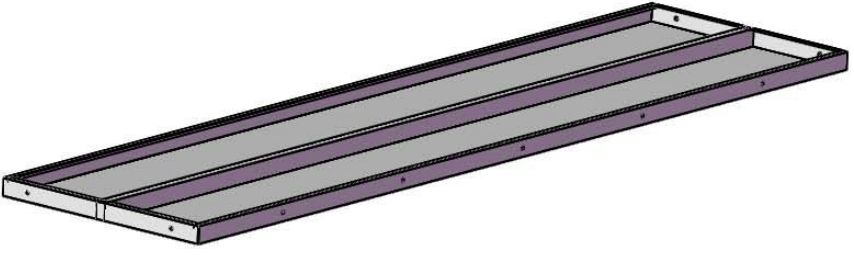
J1 2X

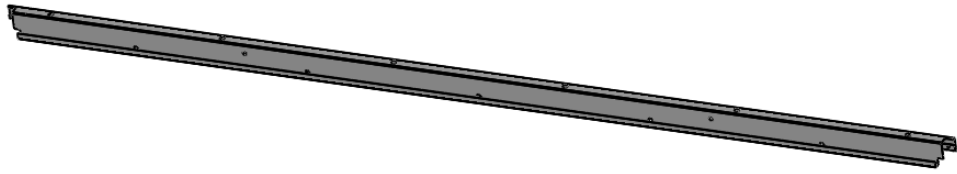


J2 2X

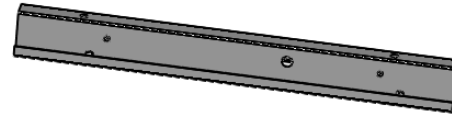


J3 2X

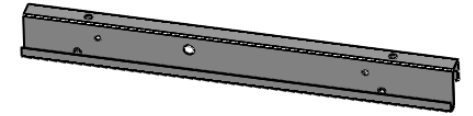
 <p>K₁ 2X</p>	 <p>K₂ 2X</p>	 <p>L₁ 2X</p>	 <p>L₂ 4X</p>
 <p>L₃ 2X</p>	 <p>M₁ 2X</p>	 <p>M₂ 2X</p>	 <p>M₃ 2X</p>
 <p>M₄ 2X</p>	 <p>N₁ 2X</p>	 <p>N₂ 2X</p>	 <p>N₃ 2X</p>
 <p>N₄ 2X</p>	 <p>N₅ 2X</p>	 <p>N₆ 2X</p>	
 <p>P₁ 4X</p>		 <p>P₂ 2X</p>	



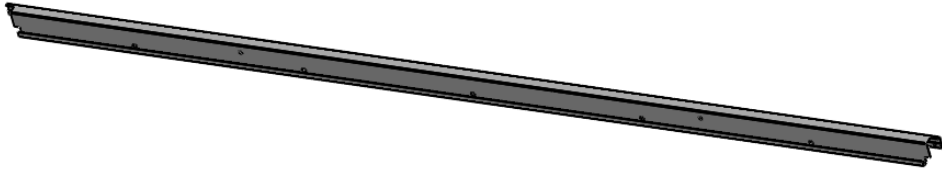
Q1 2X



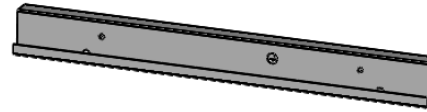
Q2 2X



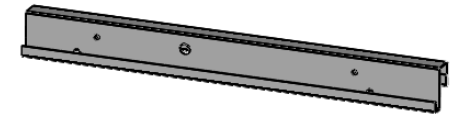
Q3 2X



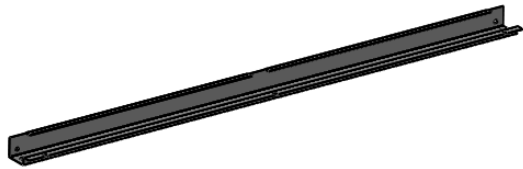
Q4 2X



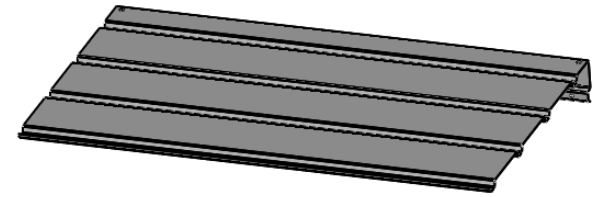
Q5 2X



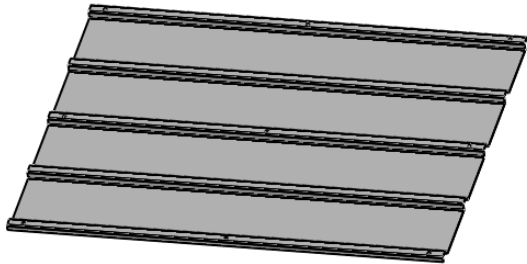
Q6 2X



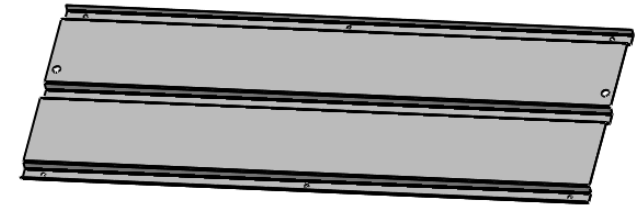
Q7 4X



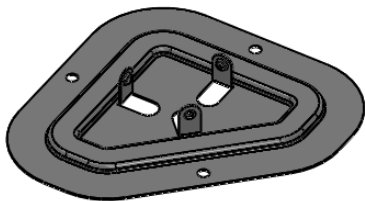
R1 4X



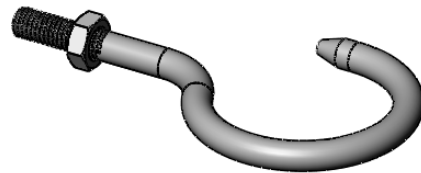
R2 2X



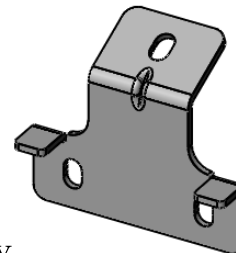
R3 4X



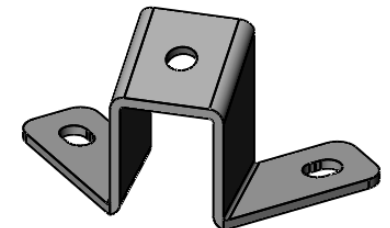
A3 4X



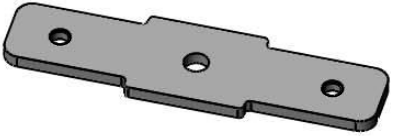
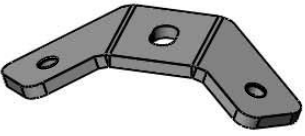
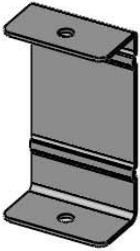
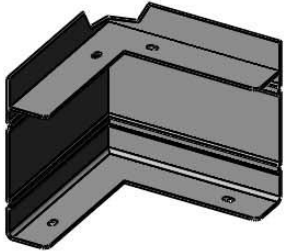
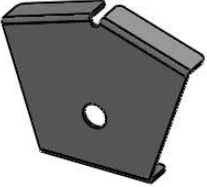
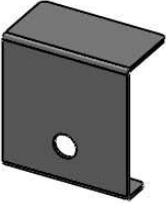
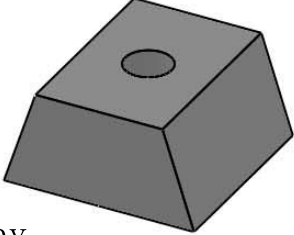
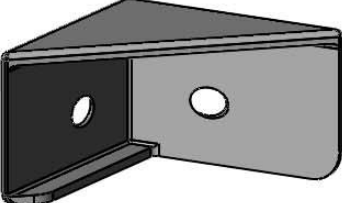
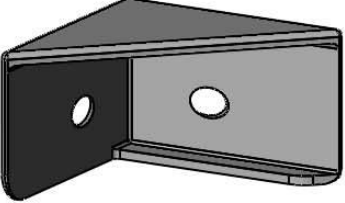
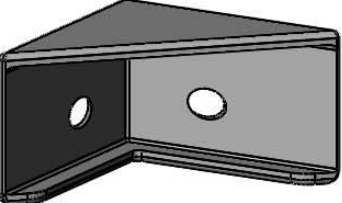
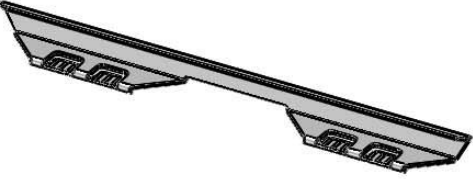
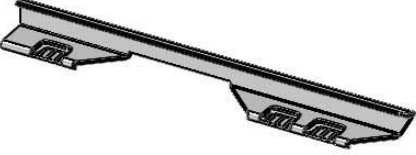
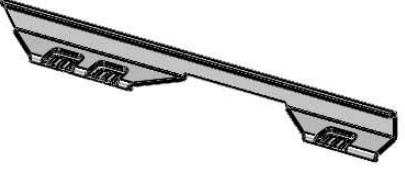
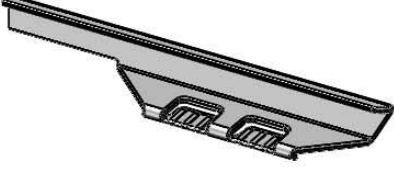
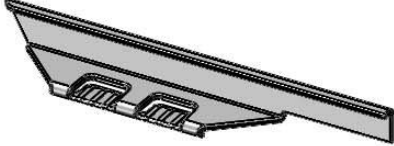
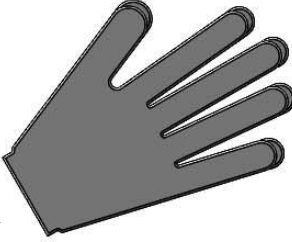




E3 3X

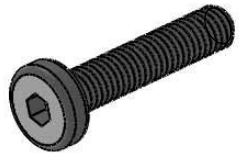


S1 4X

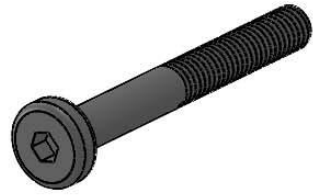


S2 4X

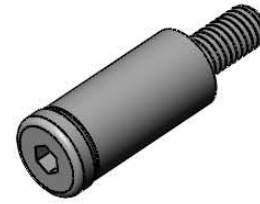
 <p>S₃ 4X</p>	 <p>S₄ 4X</p>	 <p>T₁ 2X</p>	 <p>T₂ 4X</p>
 <p>T₃ 8X</p>	 <p>T₄ 2X</p>	 <p>U 72X</p>	 <p>Y₁ 4X</p>
 <p>Y₂ 4X</p>	 <p>Y₃ 8X</p>	 <p>Z 36X</p>	 <p>Z₁ 4X</p>
 <p>Z₂ 4X</p>	 <p>Z₃ 2X</p>	 <p>Z₄ 2X</p>	 <p>AA 1X</p>
 <p>1# 8X M6*10</p>	 <p>2# 84X M6*16</p>	 <p>3# 8X M6*25</p>	 <p>4# 48X M6*28</p>



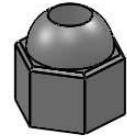
5# 8X M6*30



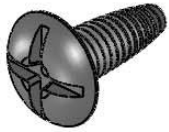
6# 16X M6*50



7# 32X



8# 64X M6



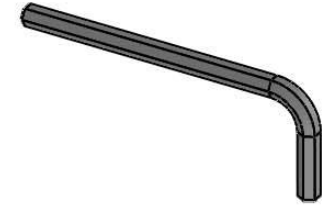
9# 20X ST6.3*15



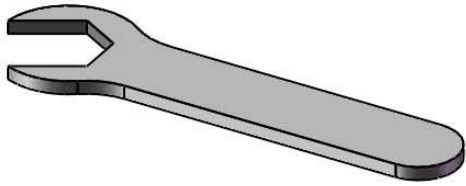
10# 16X ST5.0*16



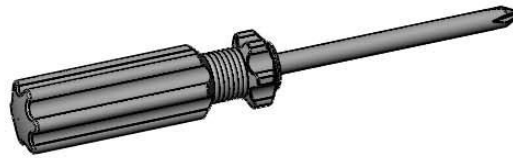
11# 110X ST4.2*10



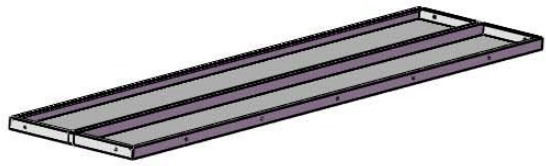
20# 1X S4



21# 1X S13



22# 1X



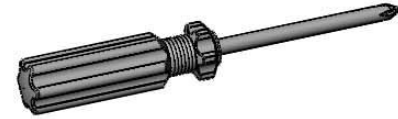
P1 2X



Q1 2X



11# 4X

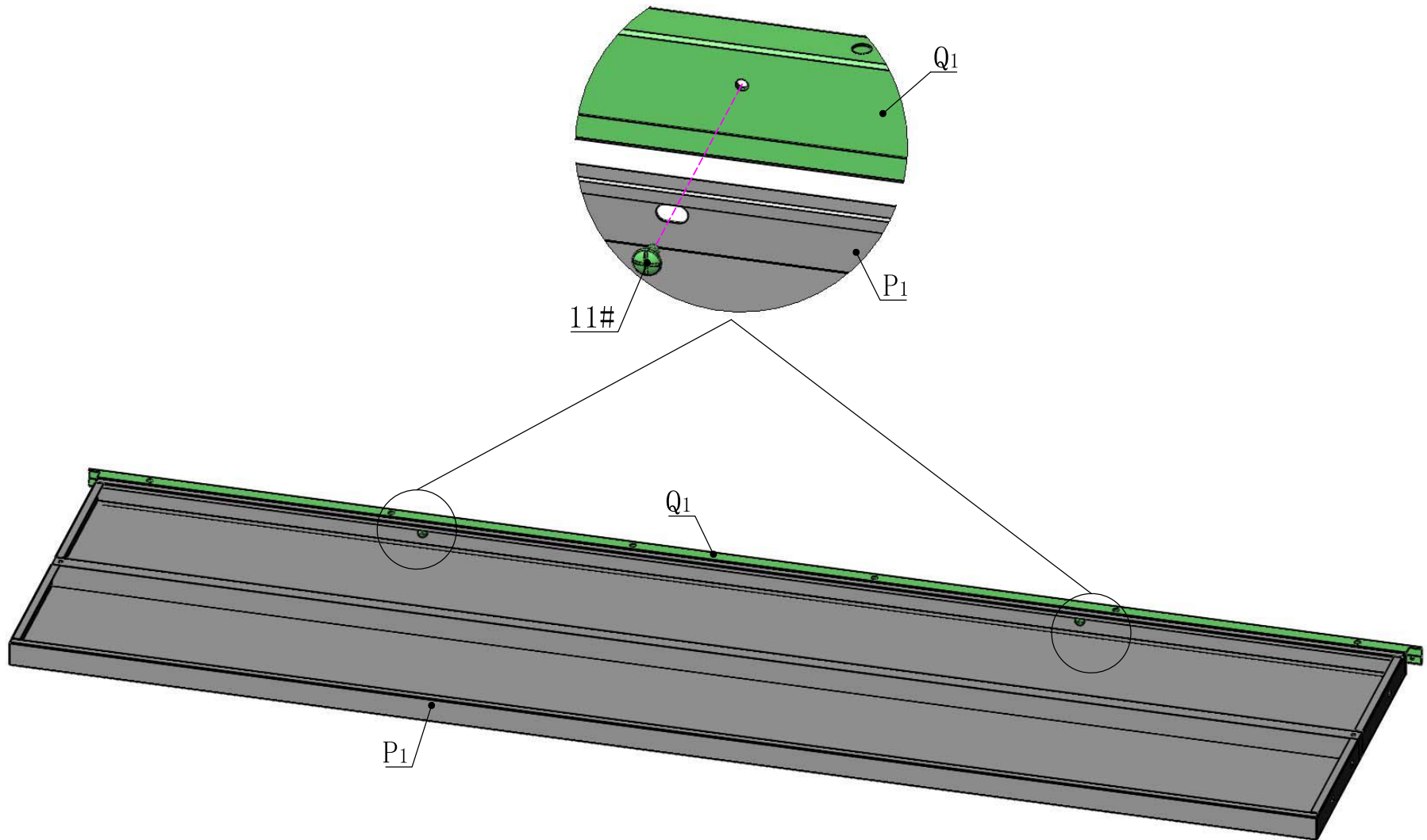


22# 1X



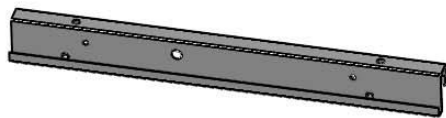
AA 1X

2X





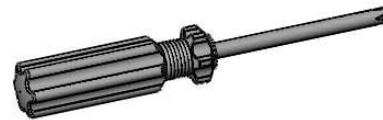
Q2 2X



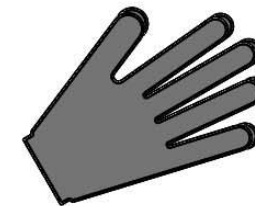
Q3 2X



11# 8X

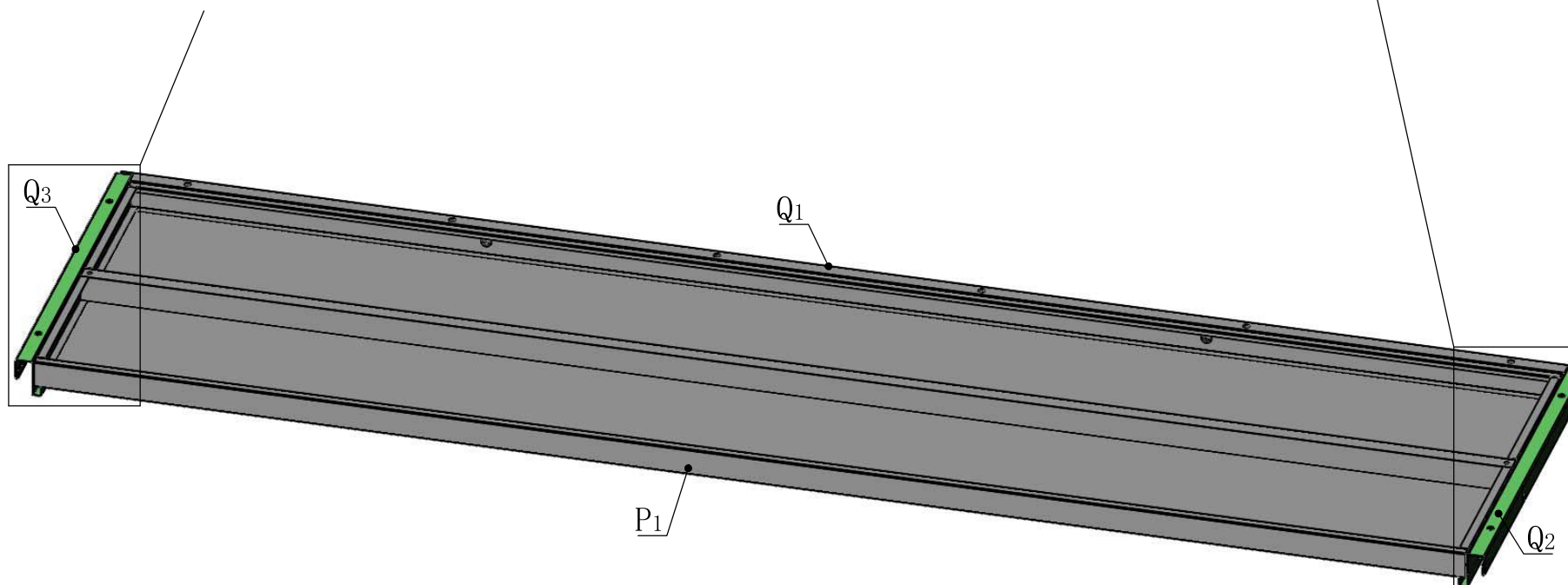
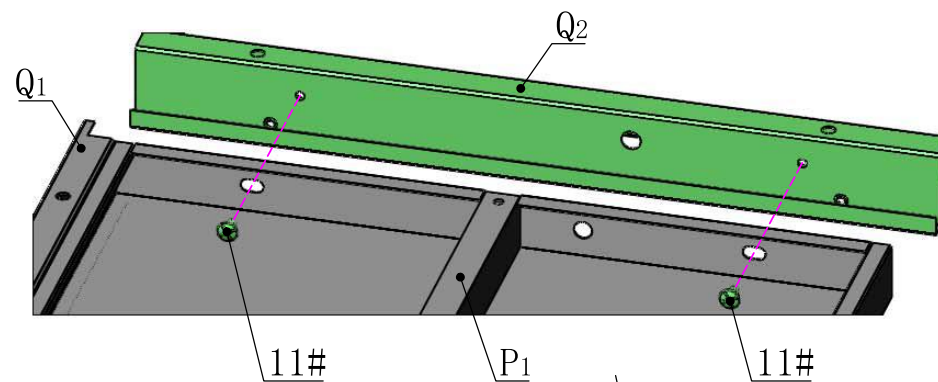
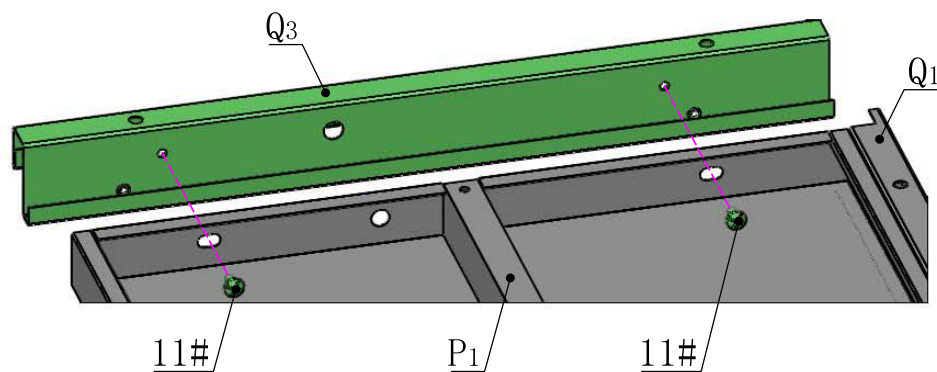


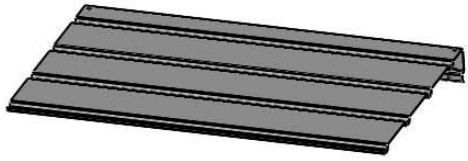
22# 1X



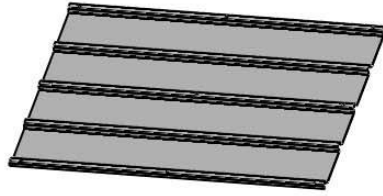
AA 1X

2X





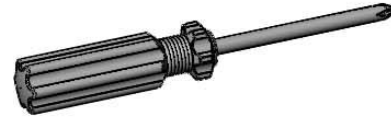
R1 4X



R2 2X



11# 10X

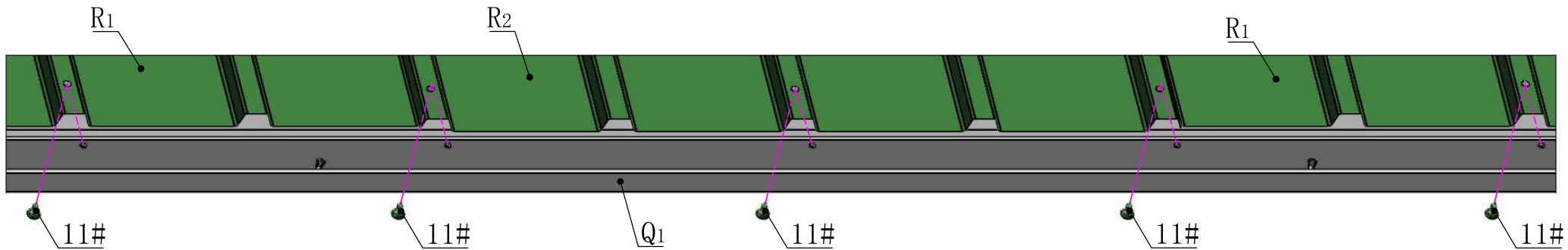
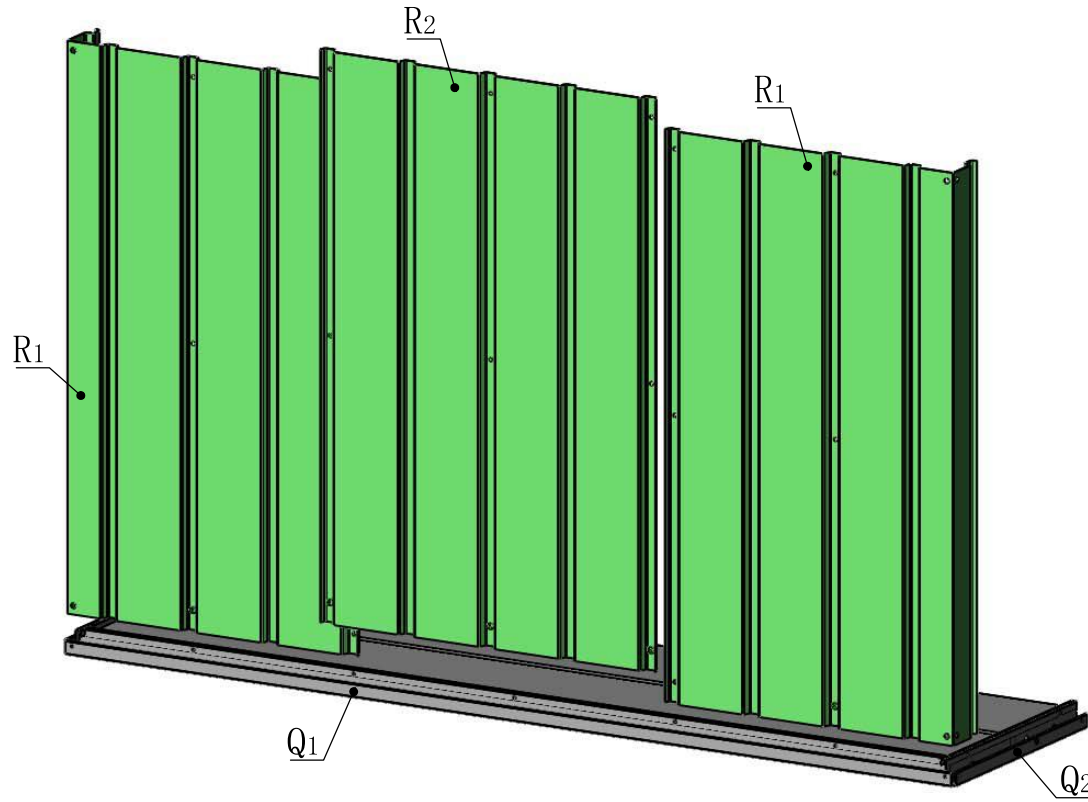


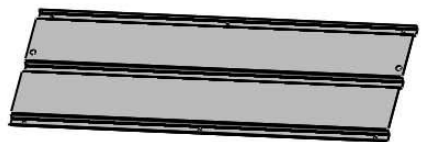
22# 1X



AA 1X

2X

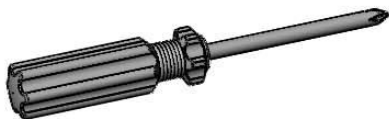




R3 4X



11# 4X

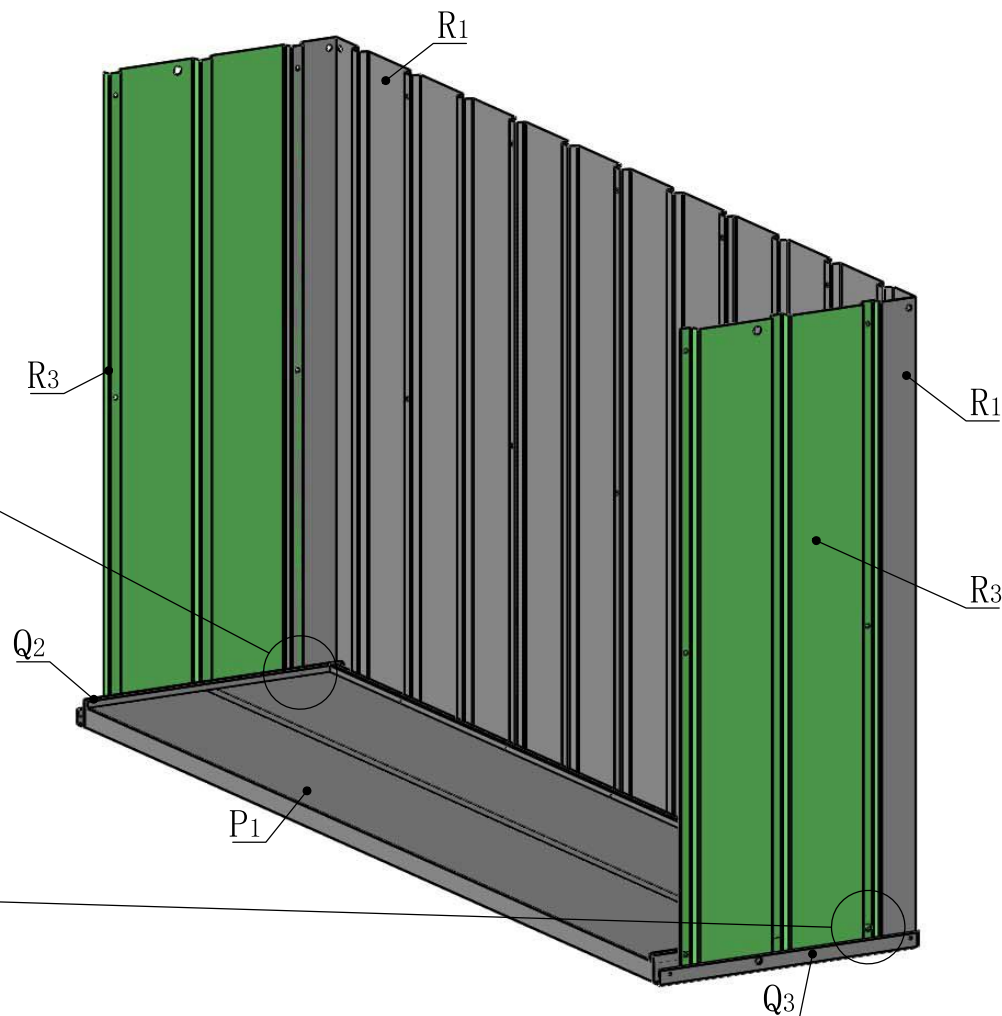
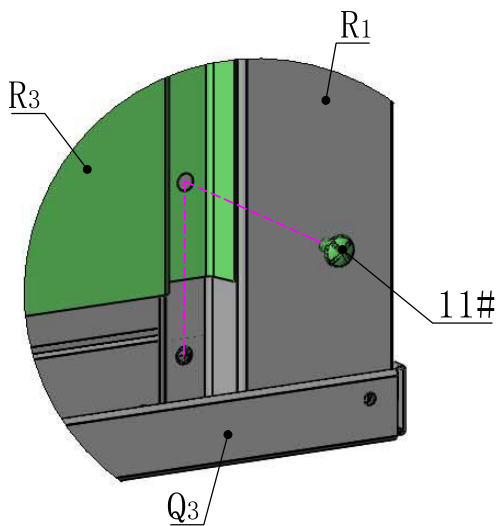
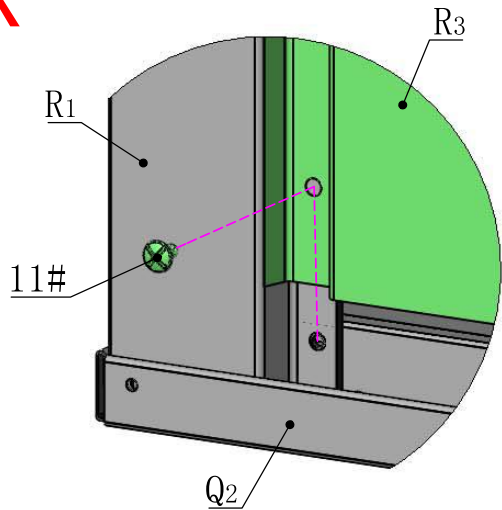


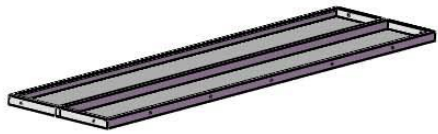
22# 1X



AA 1X

2X



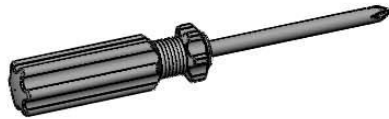


P2 2X



ST4.2*10

11# 14X

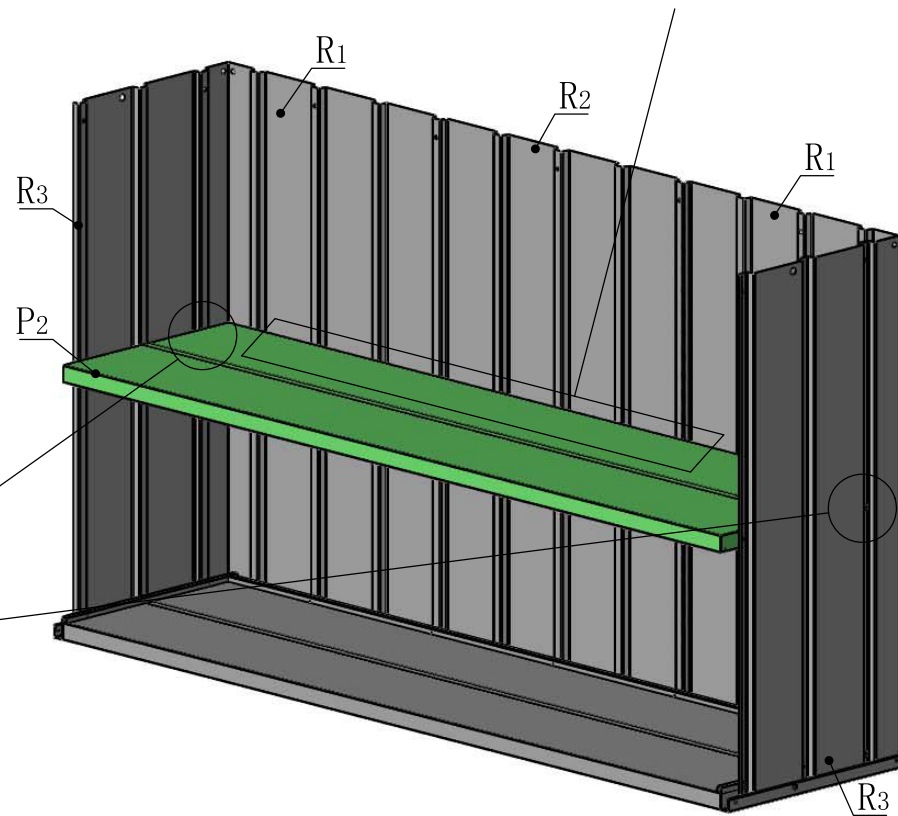
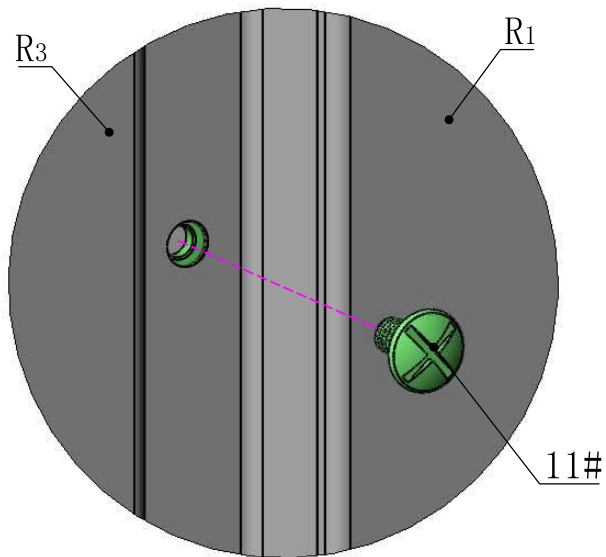
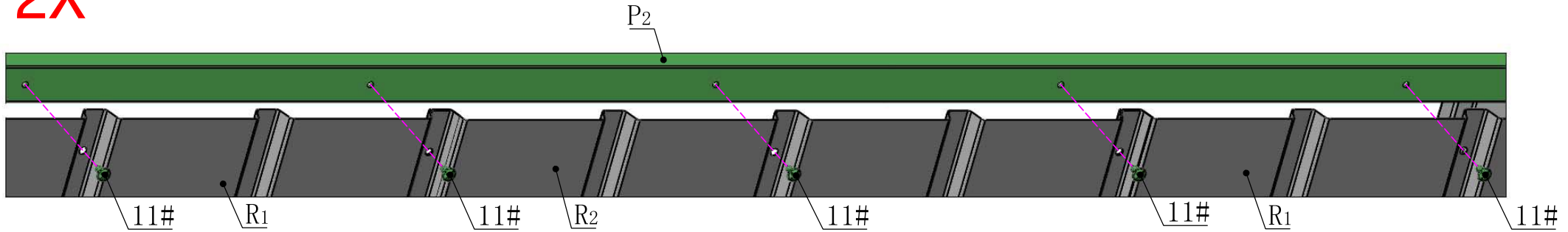


22# 1X



AA 1X

2X

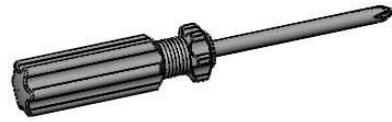




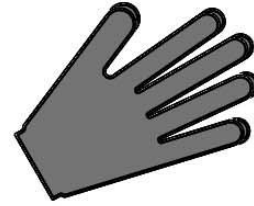
Q4 2X



11# 10X

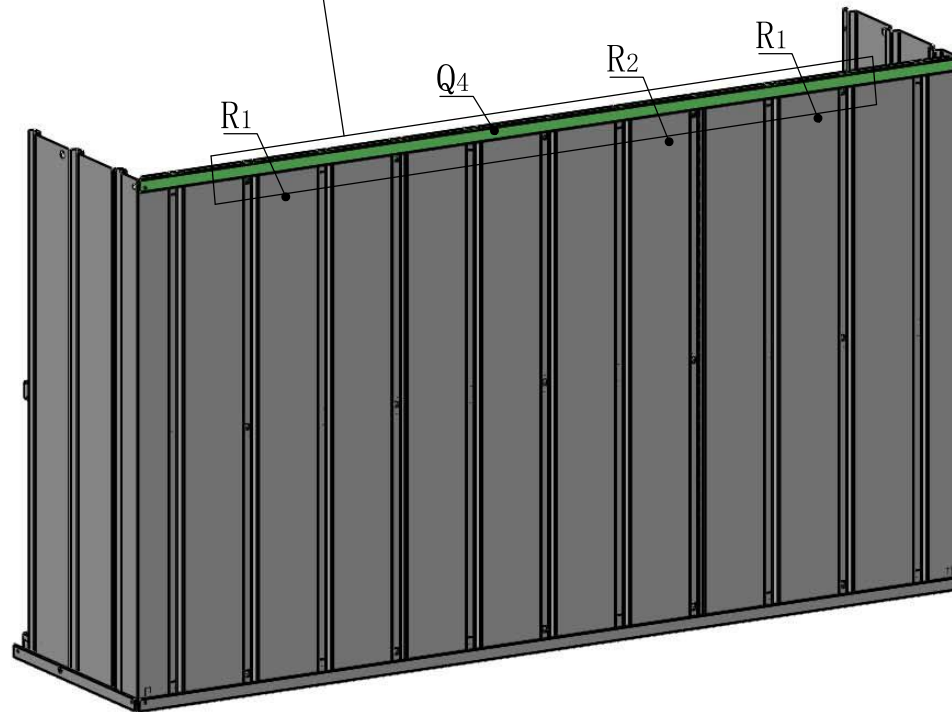
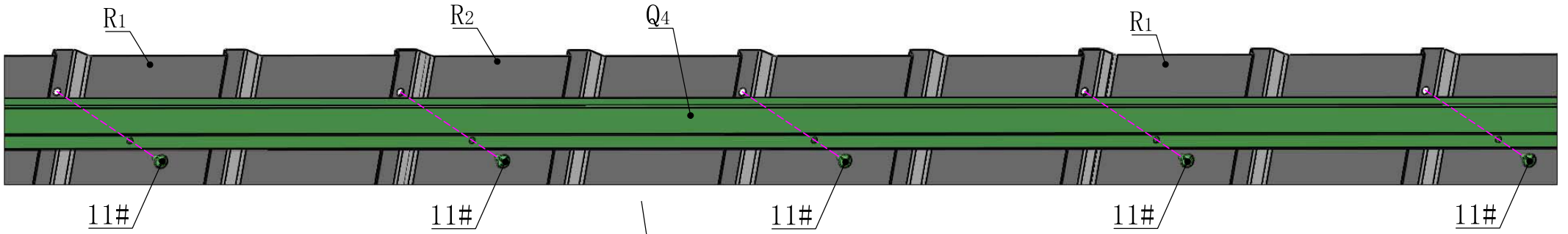


22# 1X



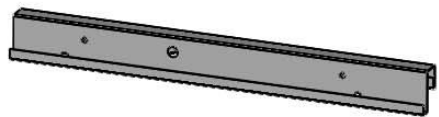
AA 1X

2X





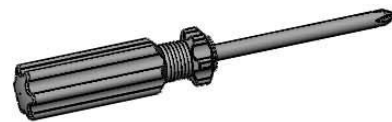
Q5 2X



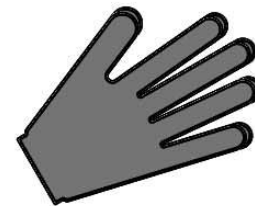
Q6 2X



11# 4X

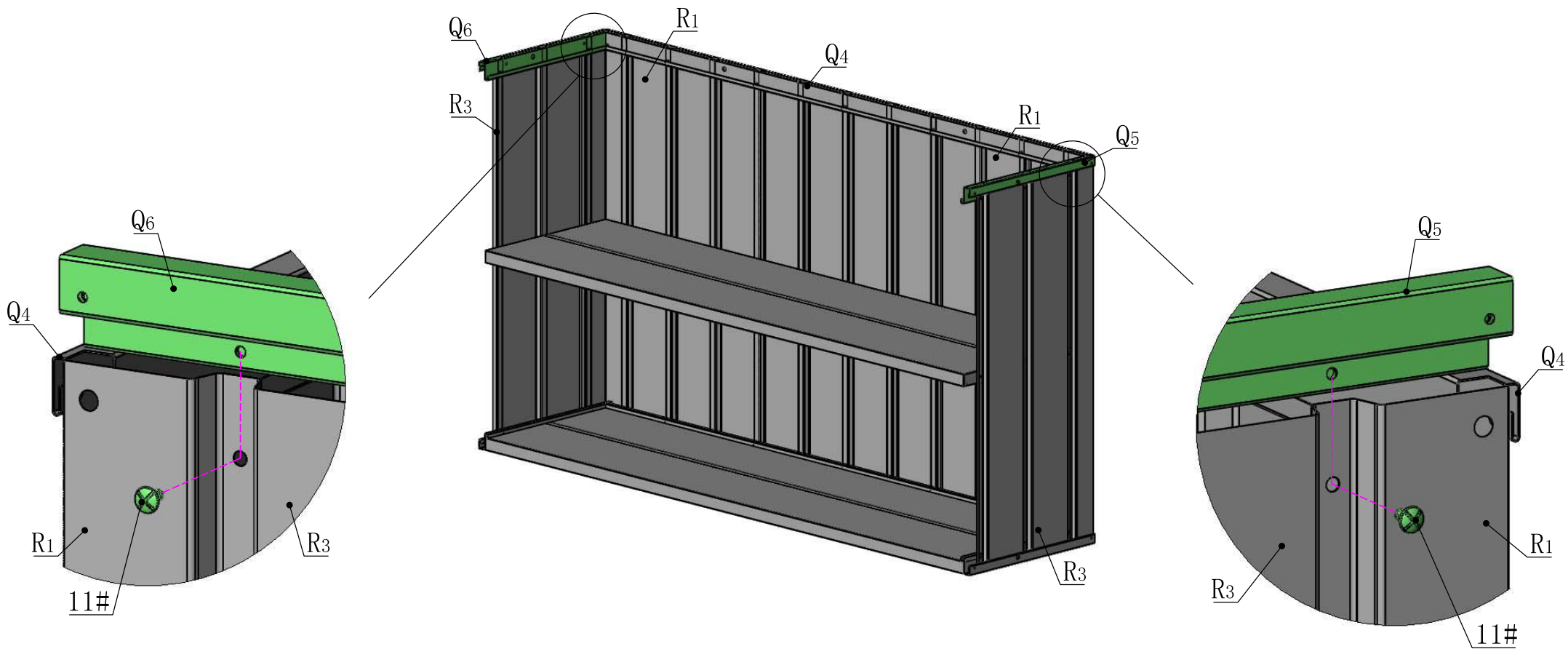


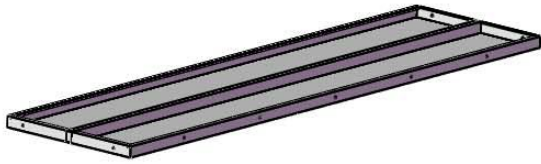
22# 1X



AA 1X

2X

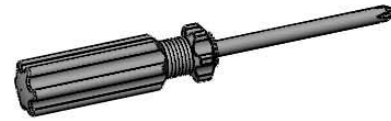




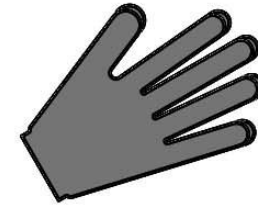
P1 2X



ST4. 2*10
11# 12X

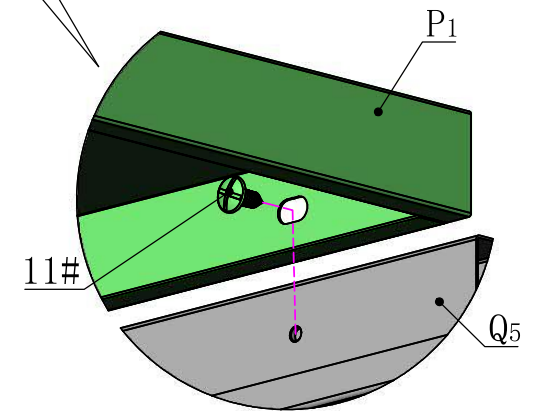
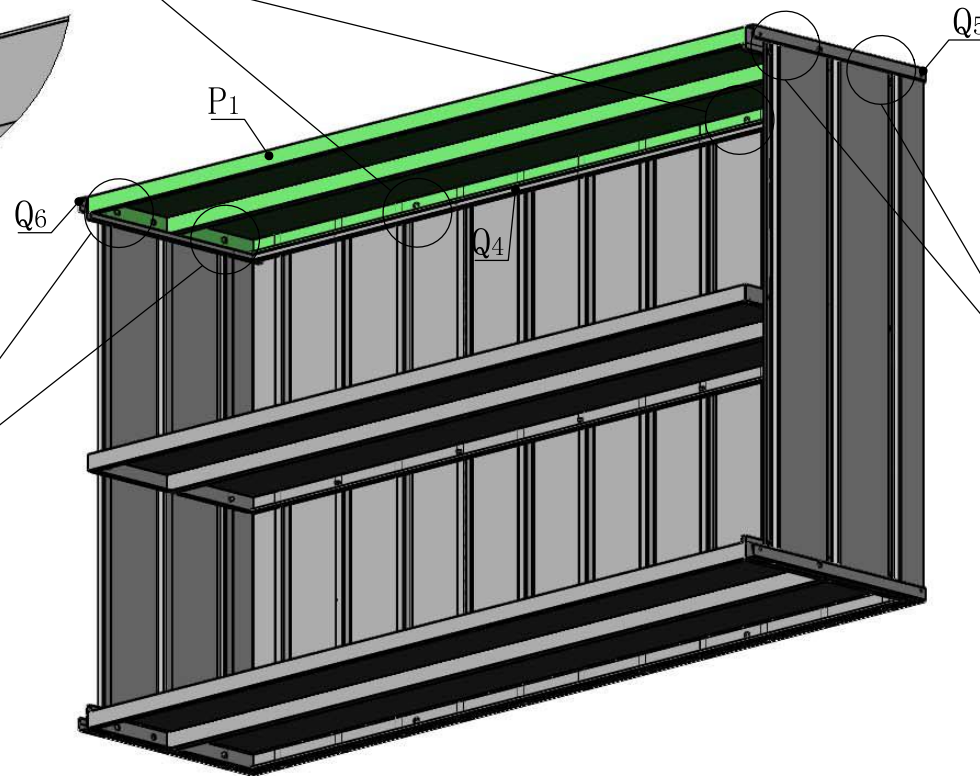
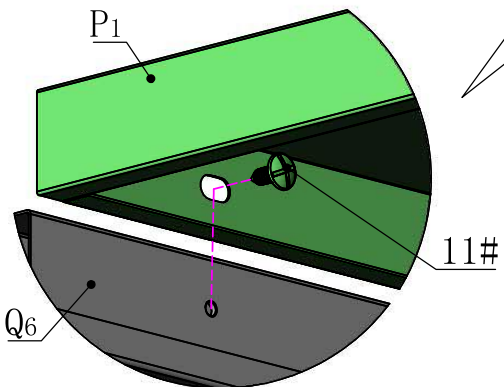
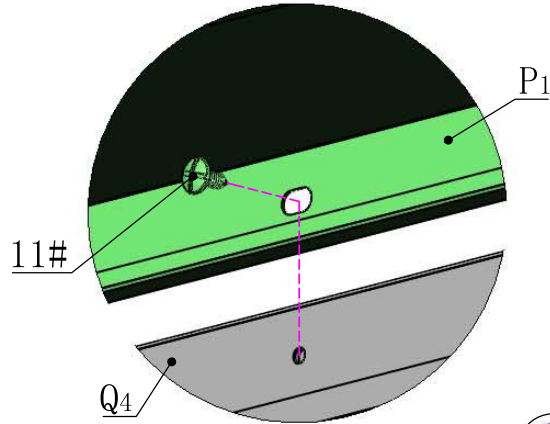


22# 1X



AA 1X

2X



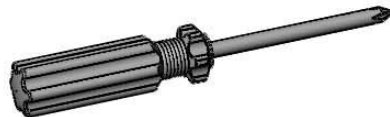


Q7 4X



ST4. 2*10

11# 12X

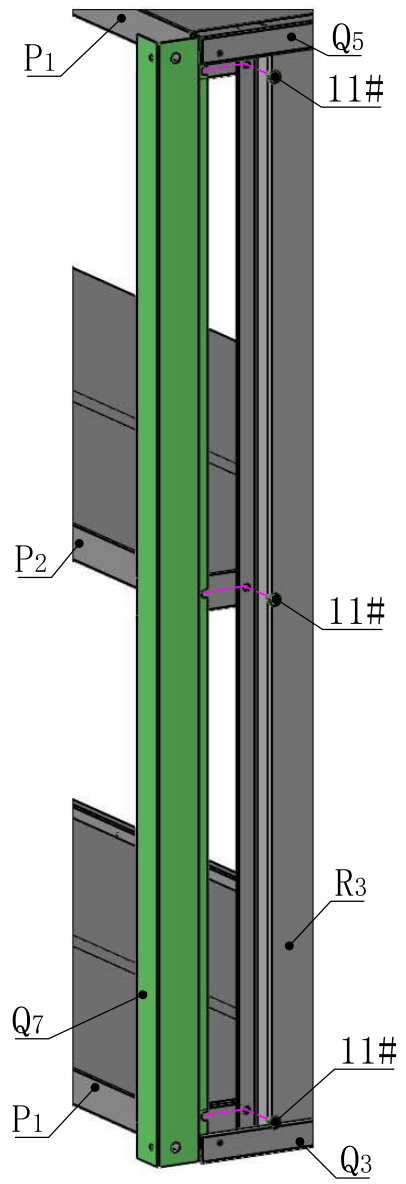
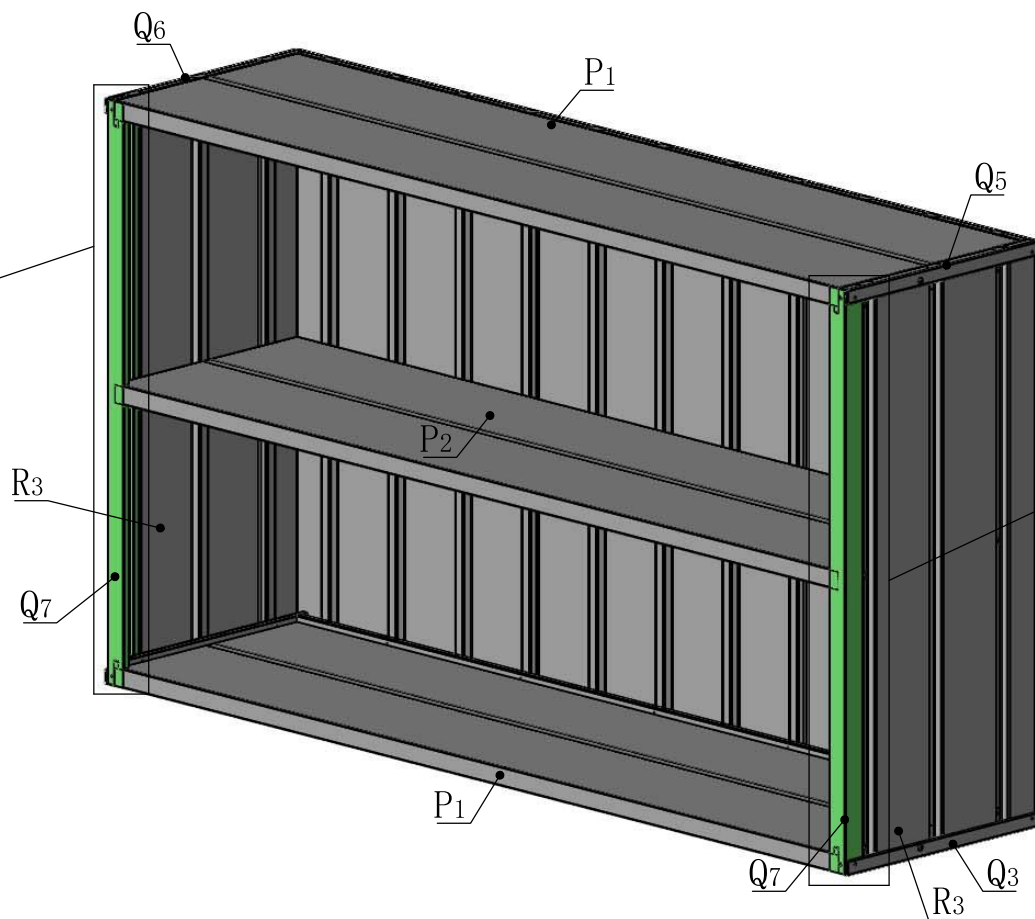
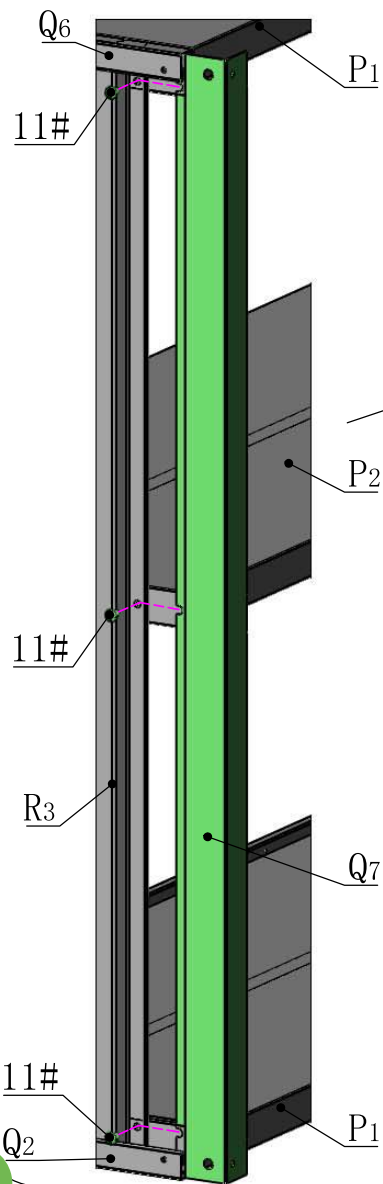


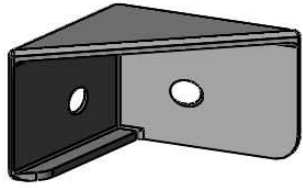
22# 1X



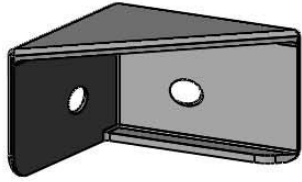
AA 1X

2X





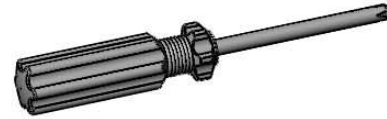
Y1 4X



Y2 4X

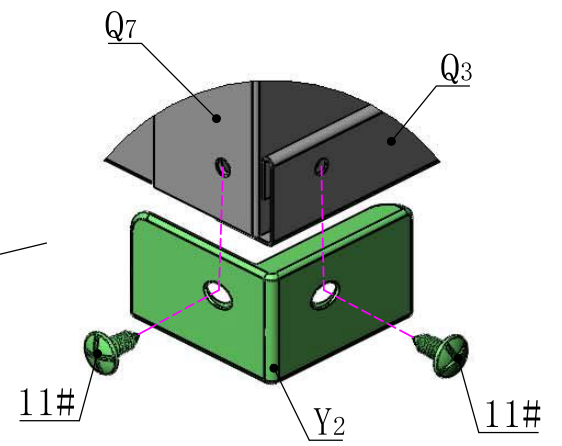
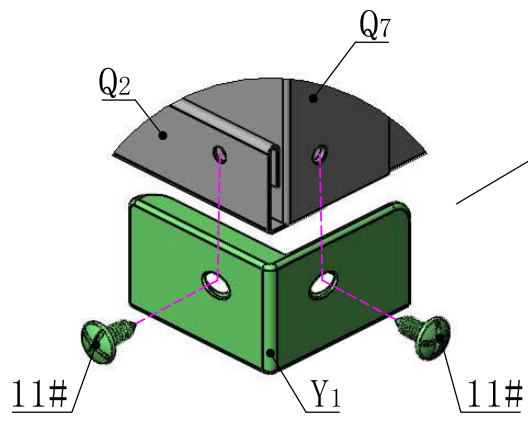
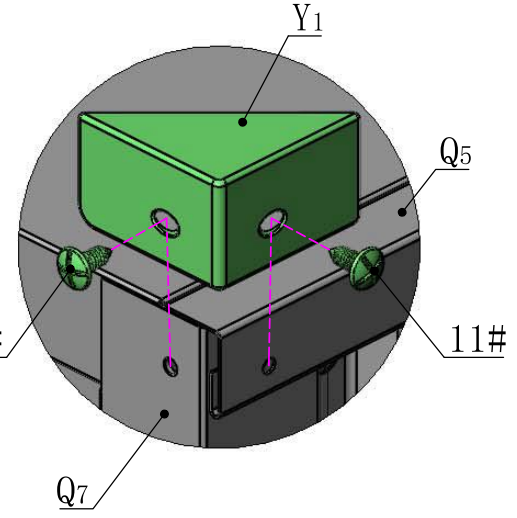
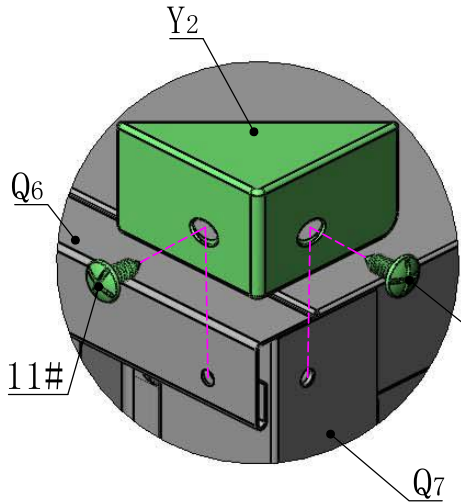
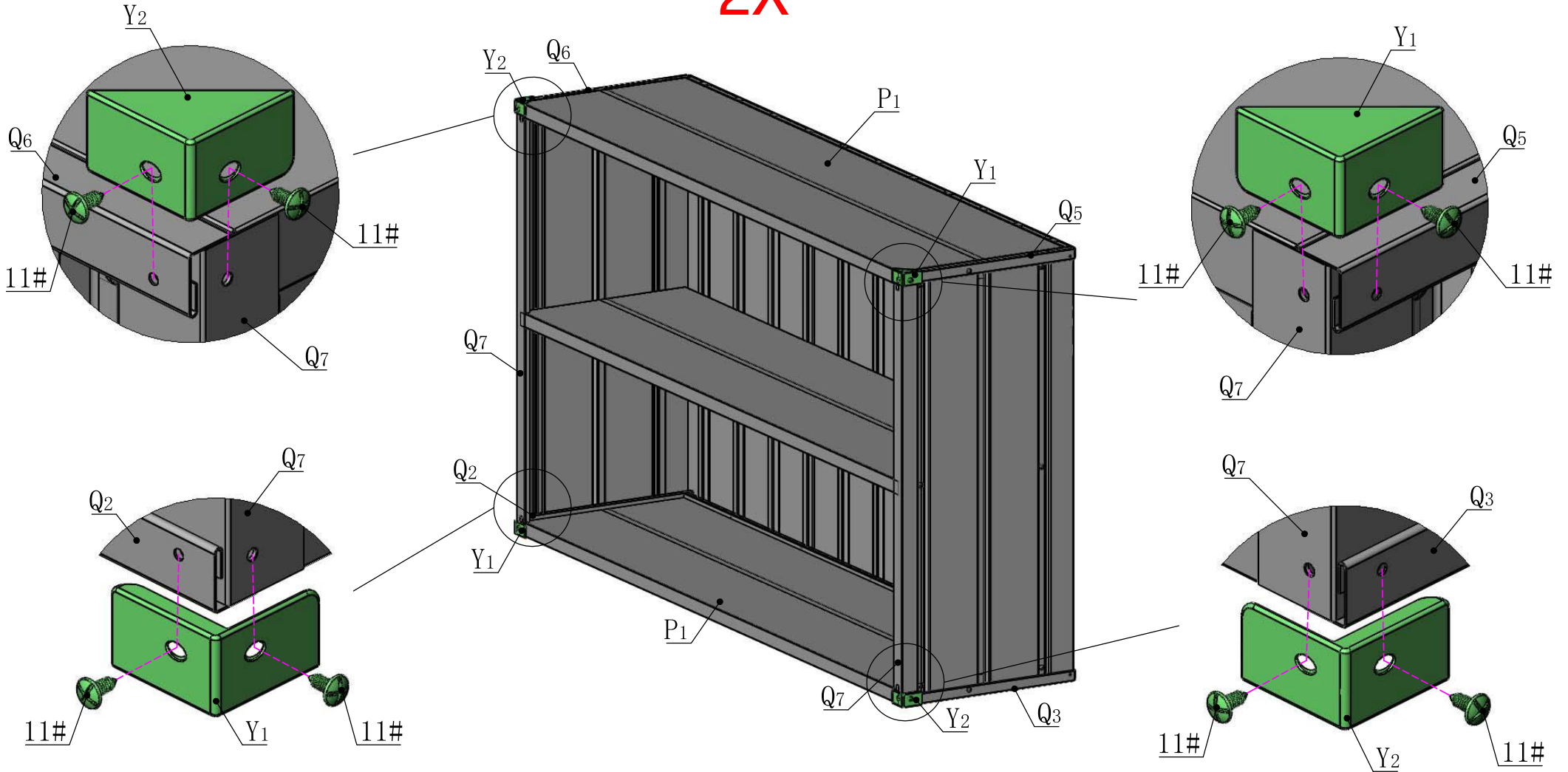


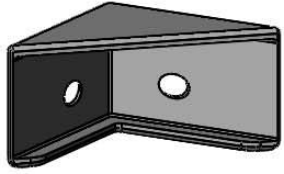
11# 16X



22# 1X

2X

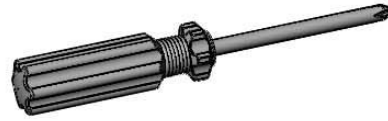




Y3 8X

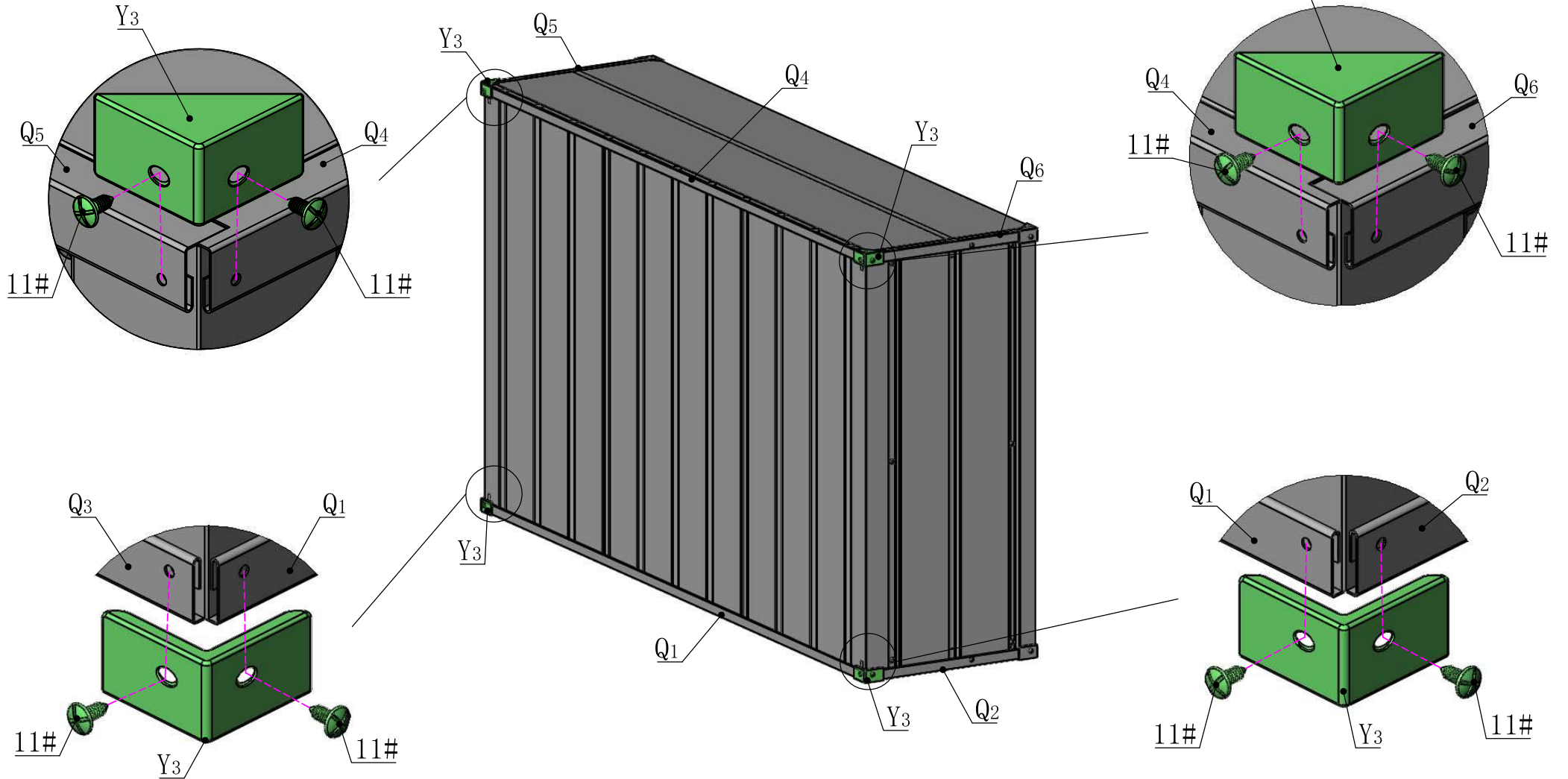


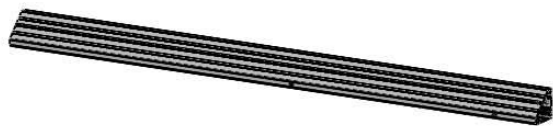
11# 16X



22# 1X

2X





A1 2X



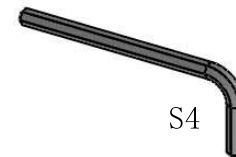
A2 2X



A3 4X

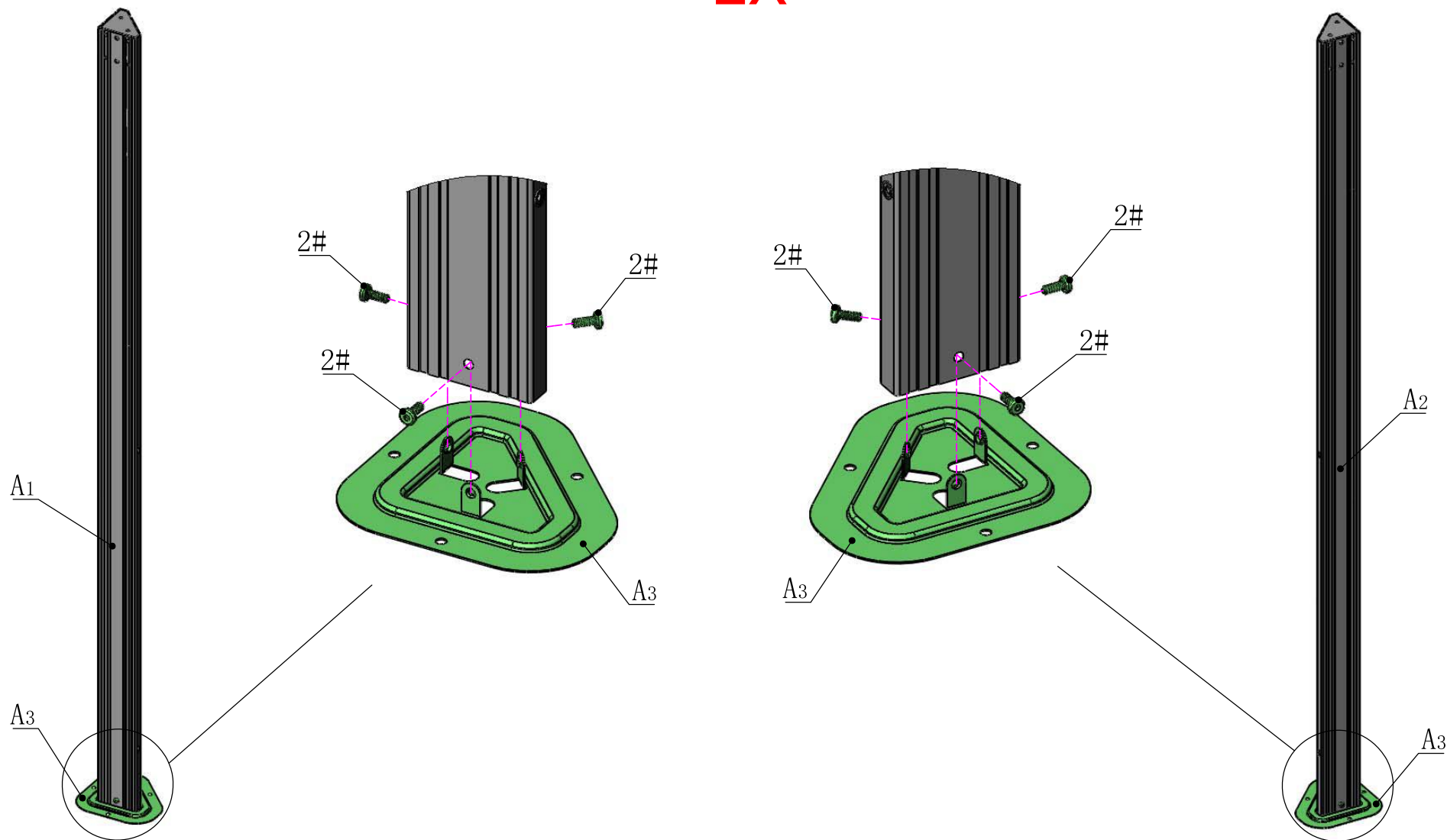


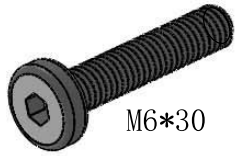
2# 12X



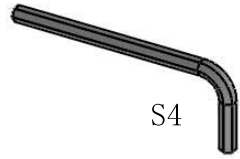
20# 1X

2X





M6*30

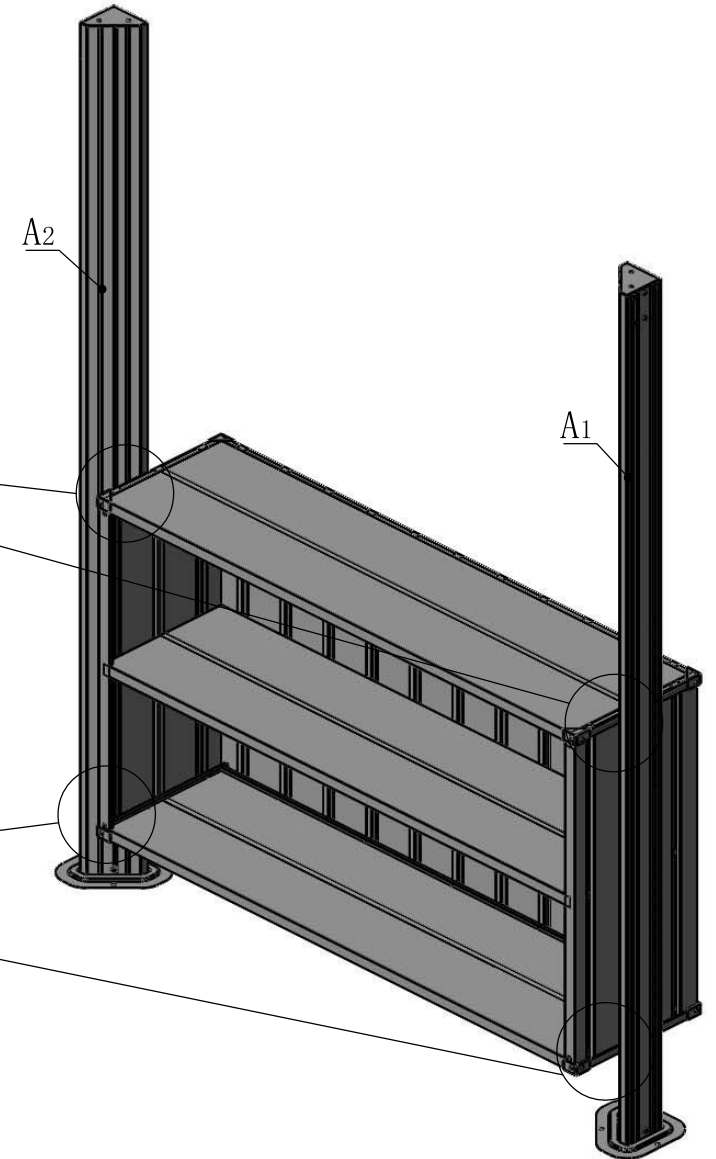
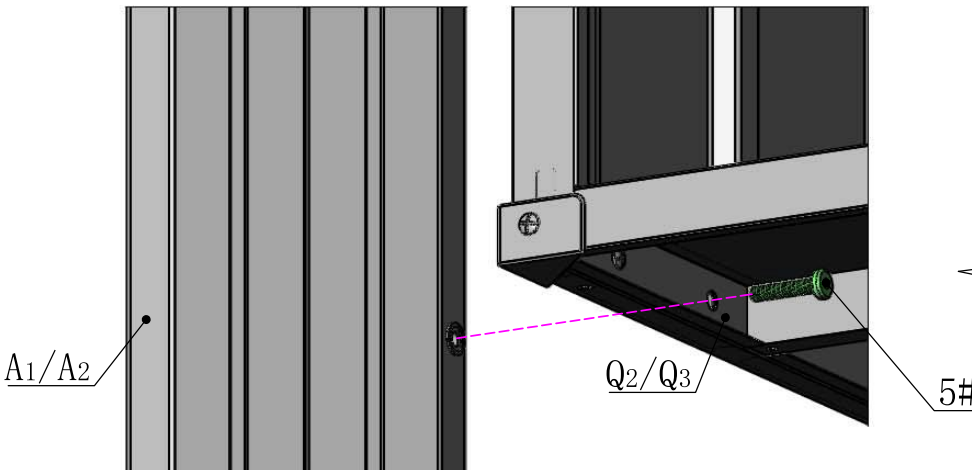
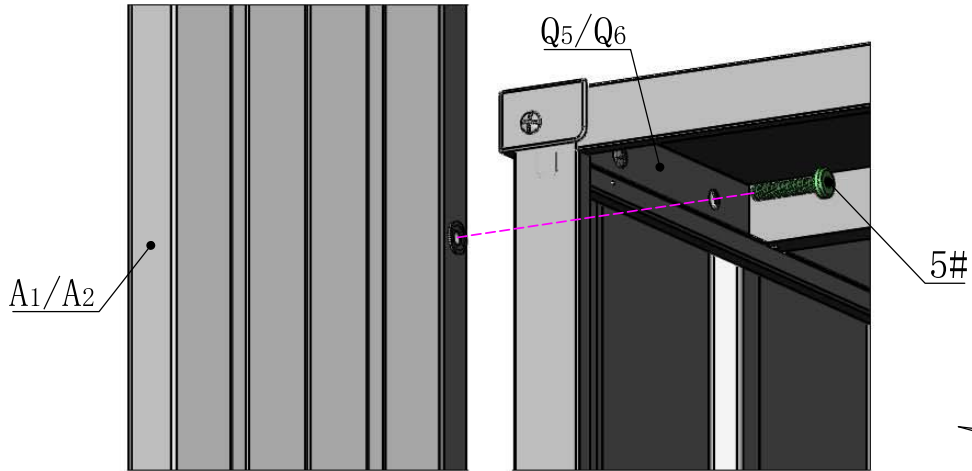


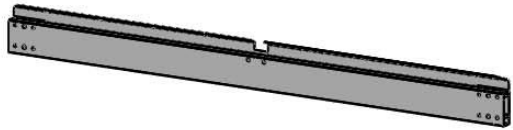
S4

5# 8X

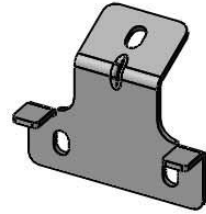
20# 1X

2X





C 2X



S1 2X



M6*16

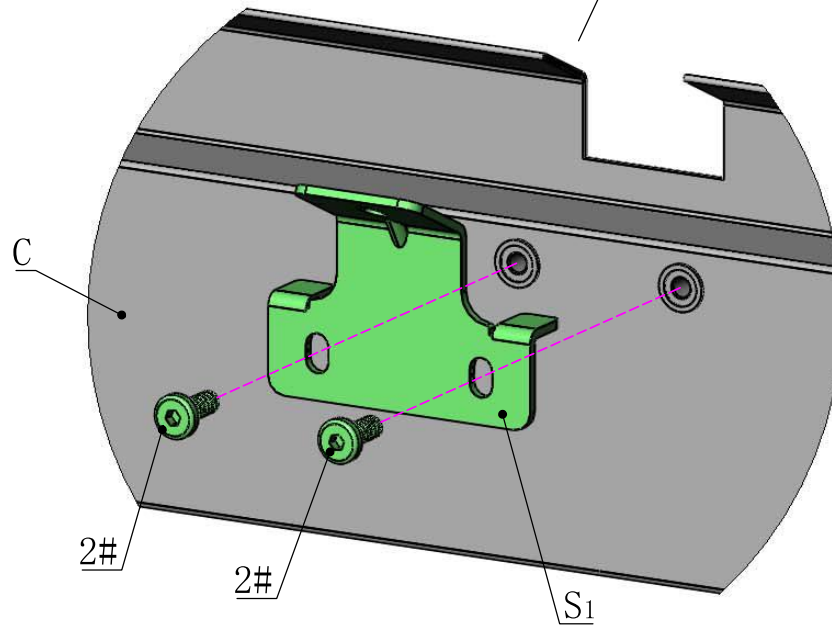
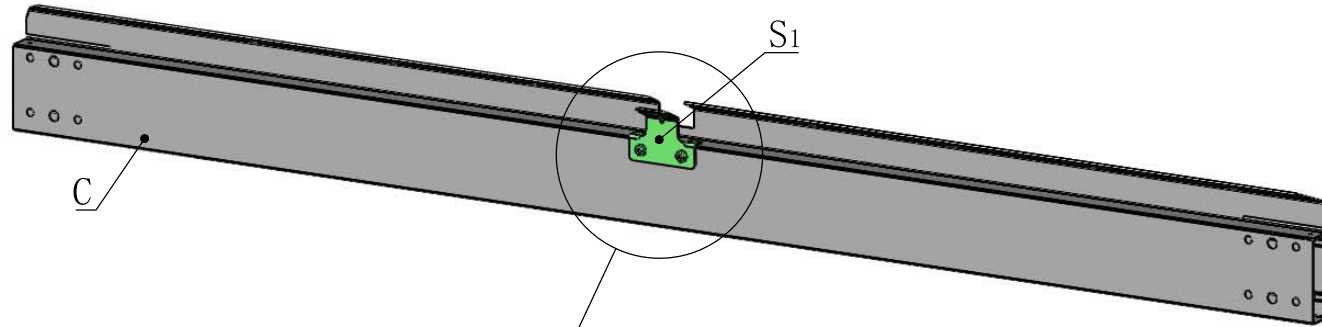
2# 4X

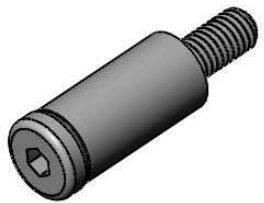


S4

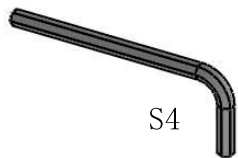
20# 1X

2X



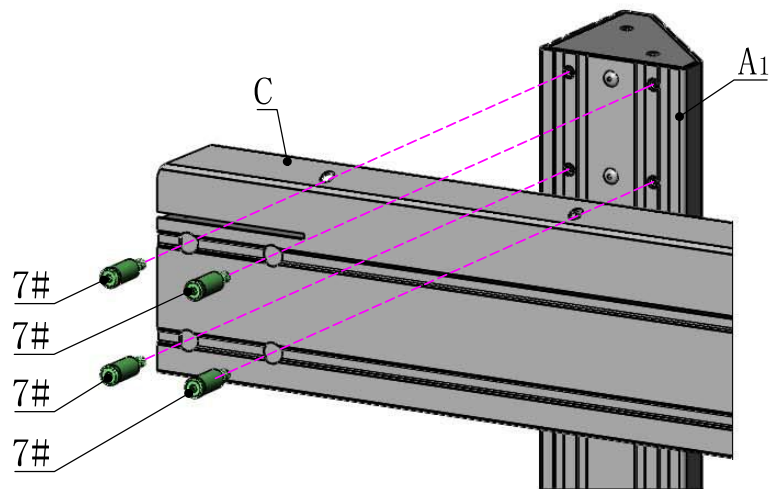


7# 16X

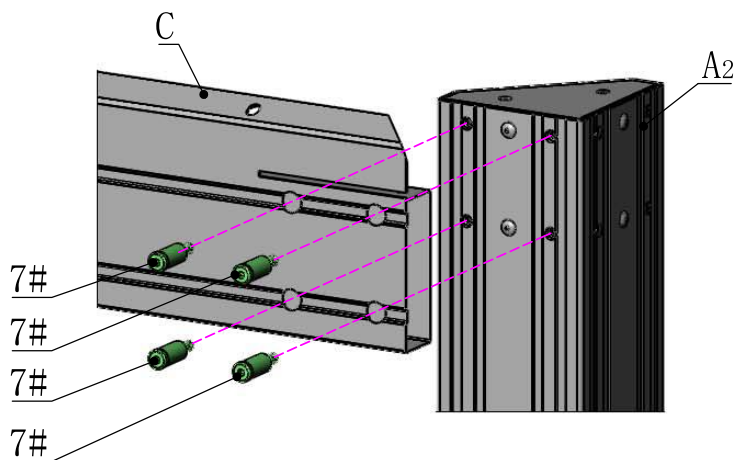


S4

20# 1X

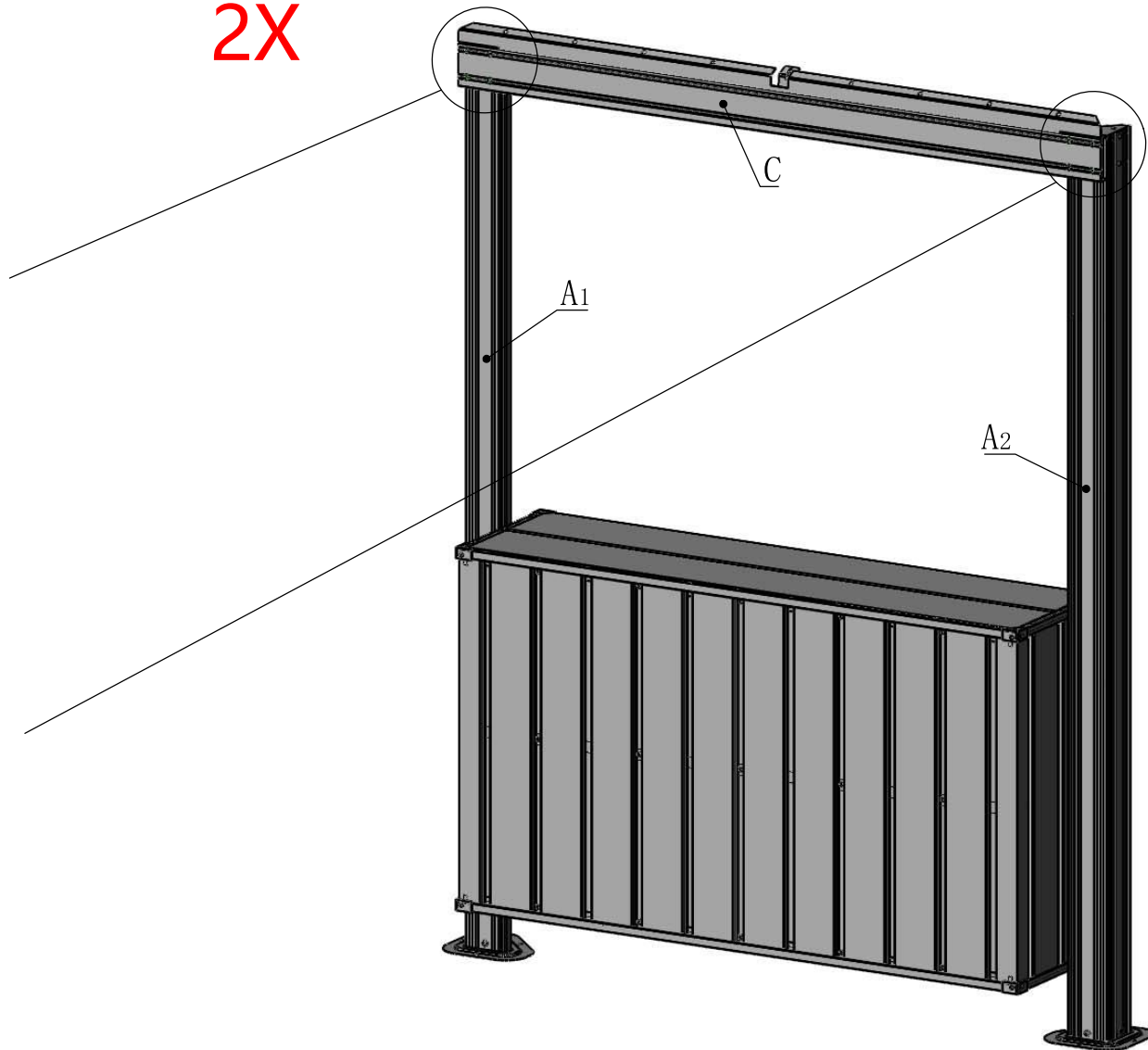


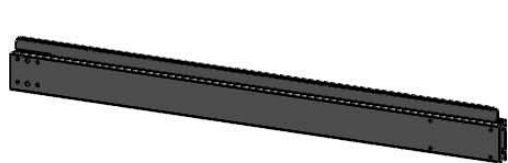
7#
7#
7#
7#



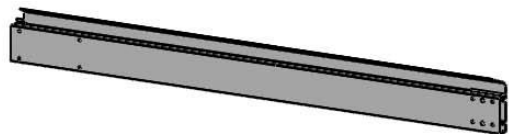
7#
7#
7#
7#

2X

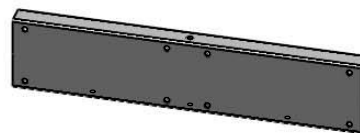




B1 2X



B2 2X



B3 2X

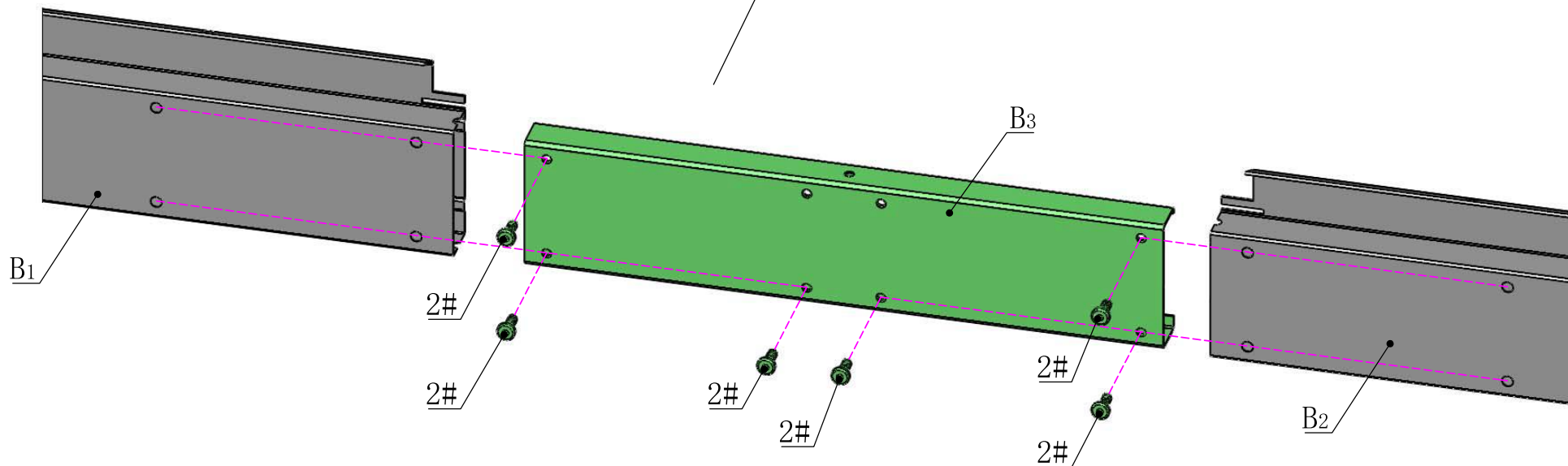
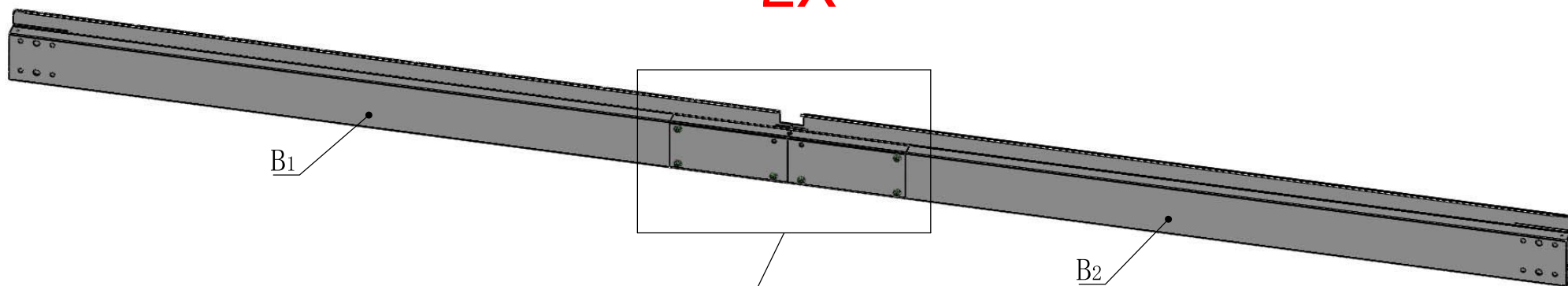


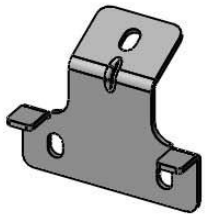
2# M6*16 12X



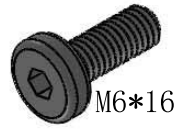
20# S4 1X

2X

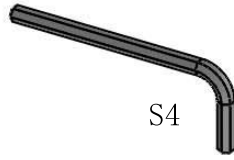




S1 2X

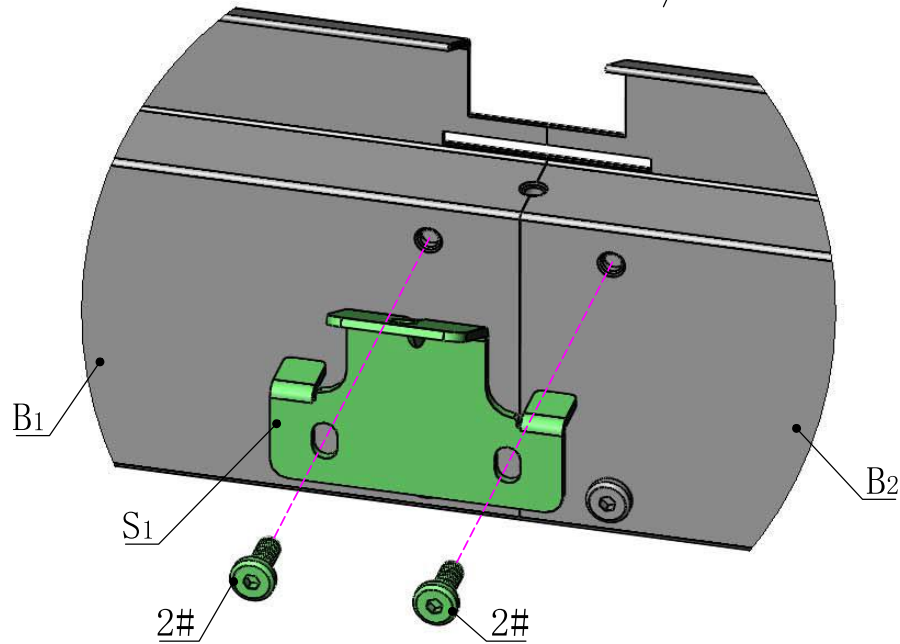
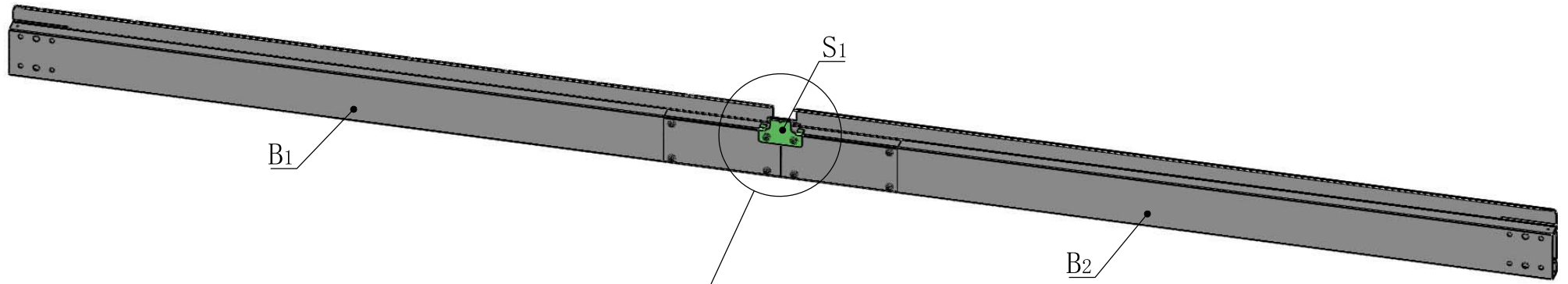


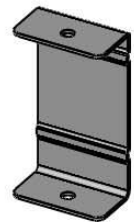
2# 4X



20# 1X

2X

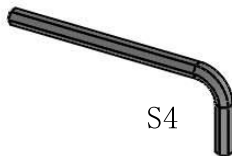




T1 2X

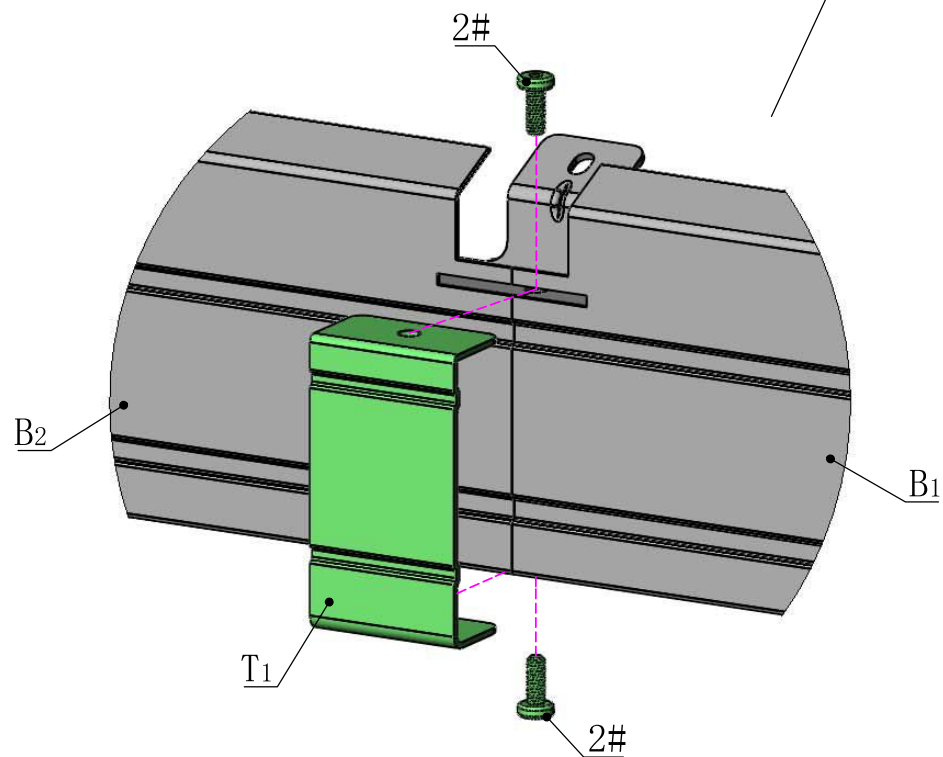
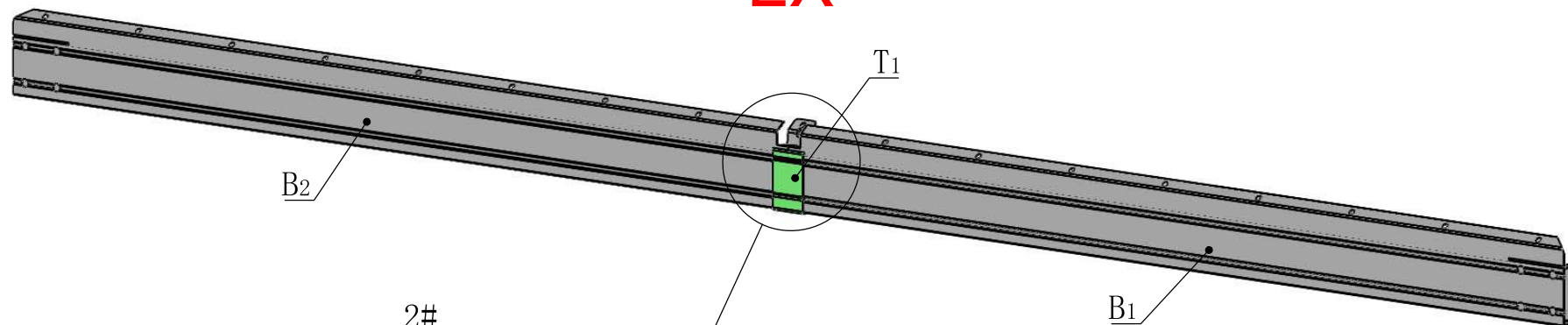


M6*16
2# 4X



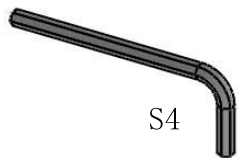
S4
20# 1X

2X



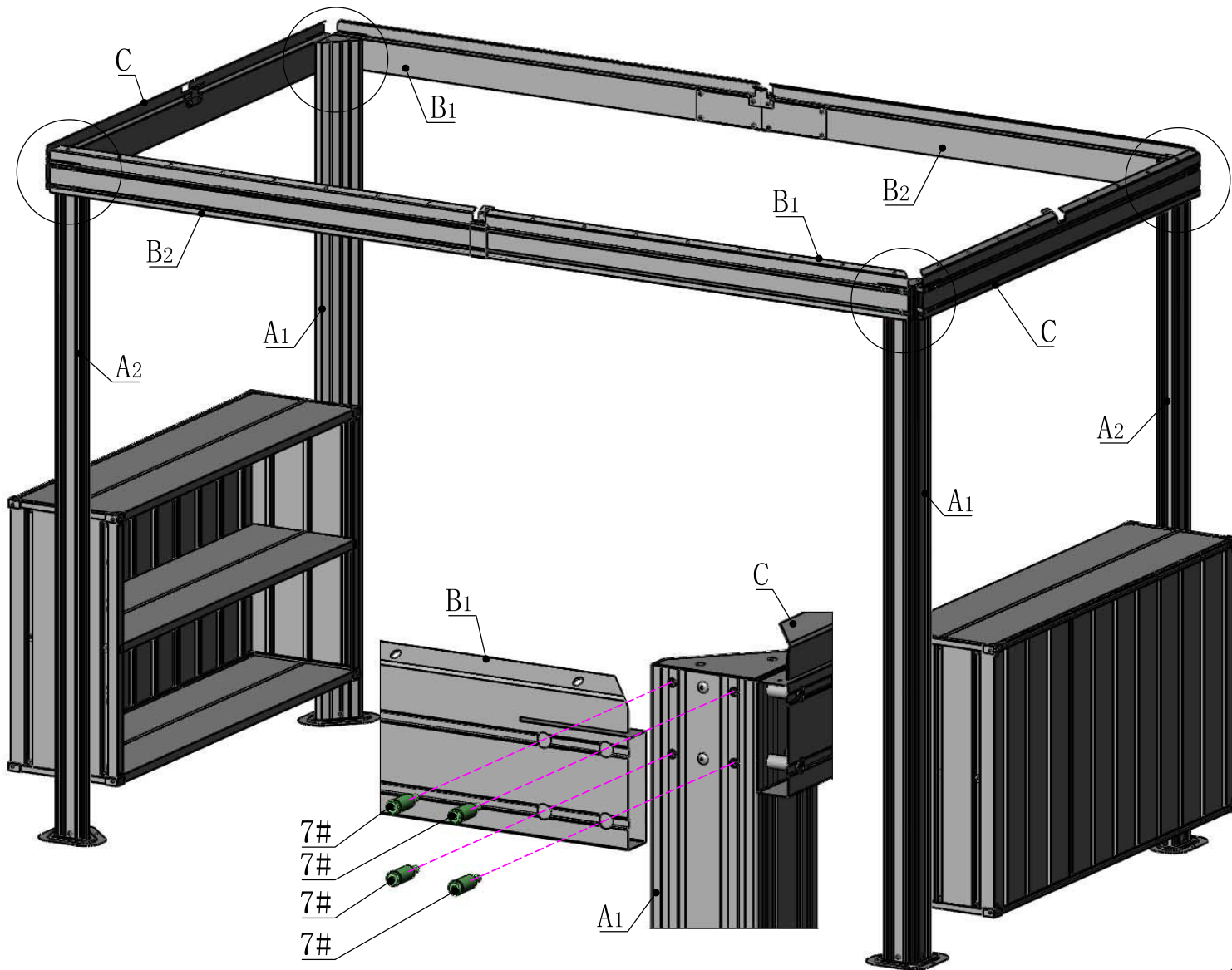
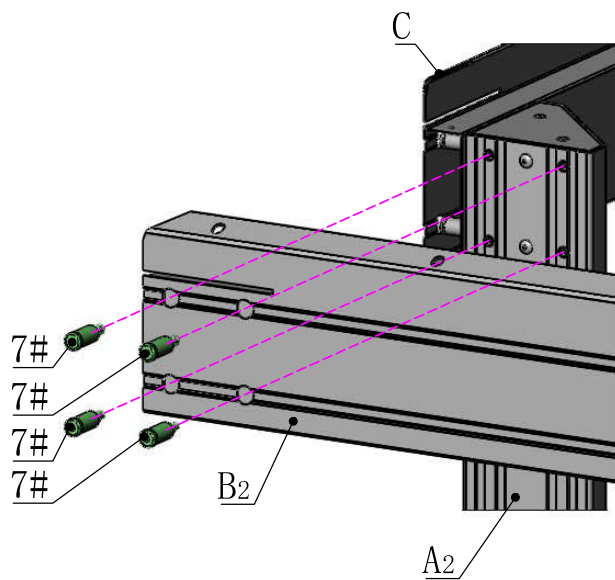


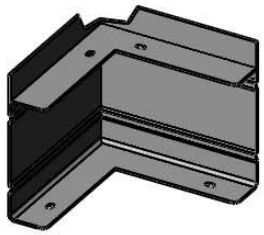
7# 16X



S4

20# 1X



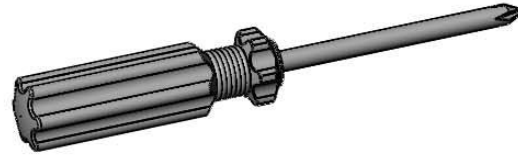


T2 4X

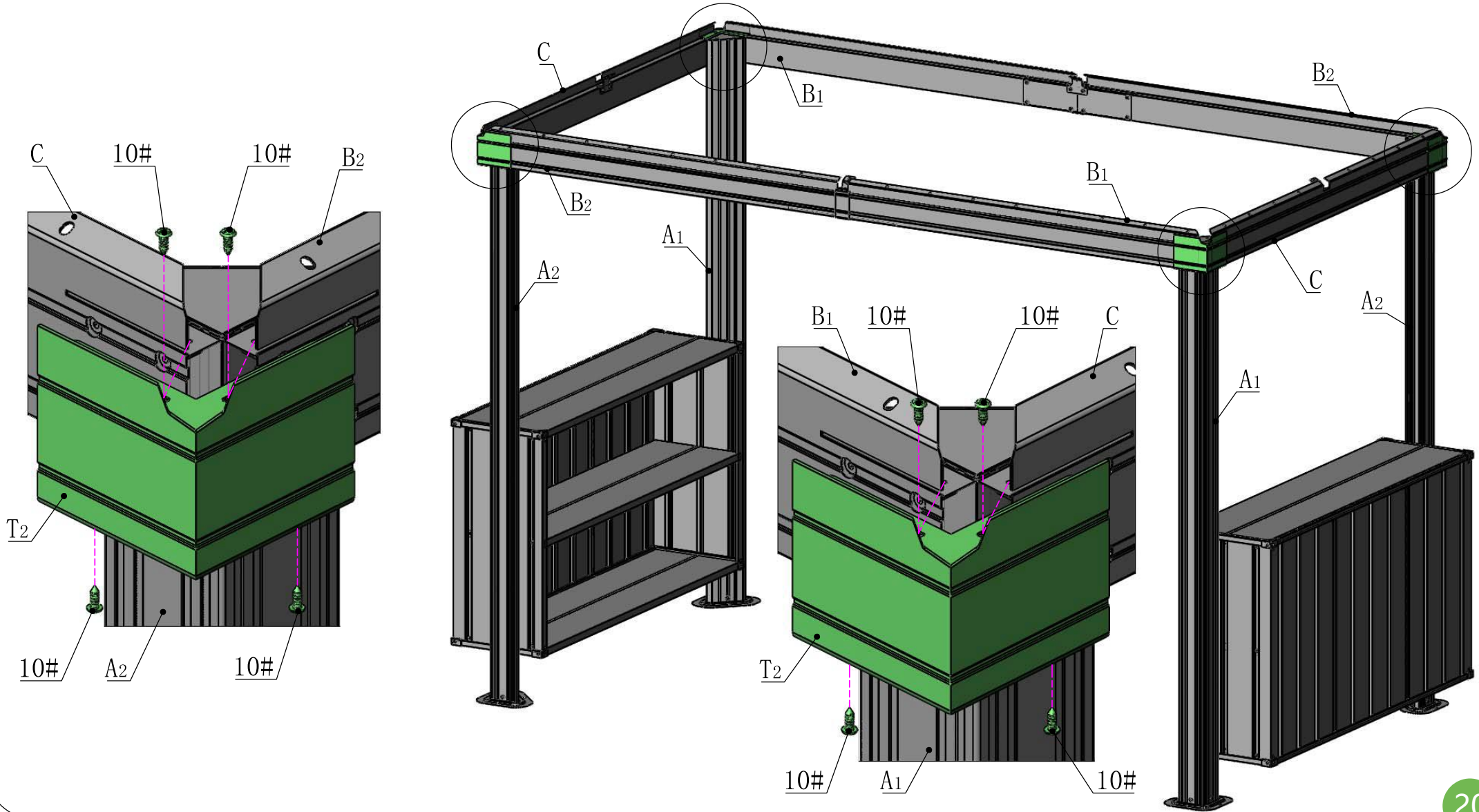


ST5.0*16

10# 16X

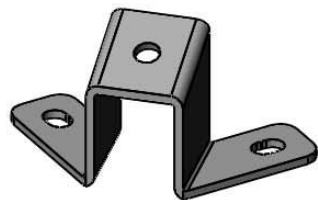


22# 1X





D1 4X

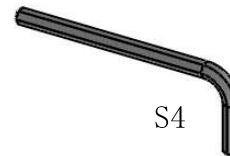


S2 4X



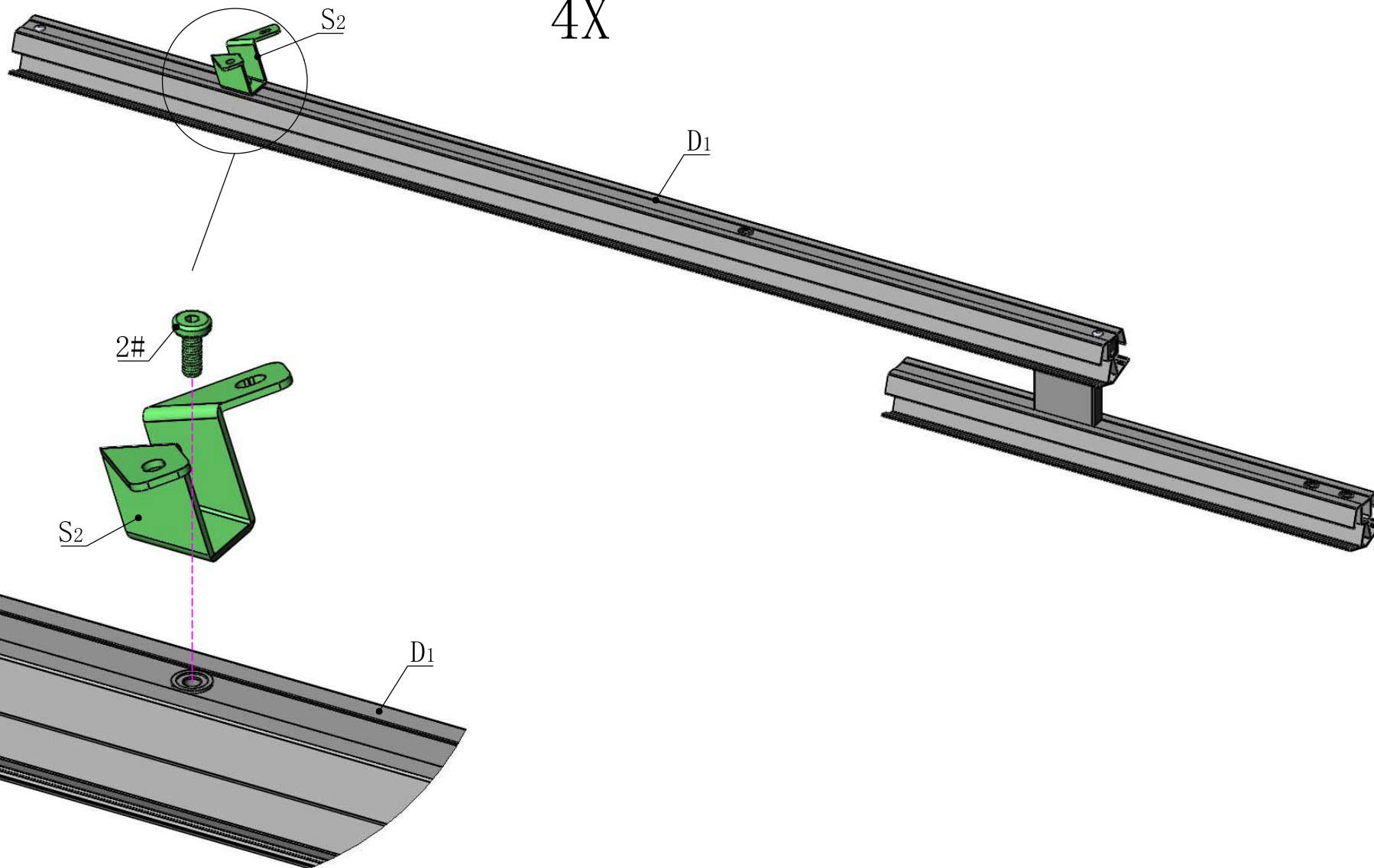
M6*16

2# 4X



S4

20# 1X

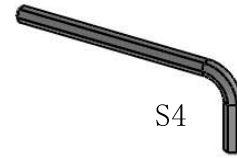




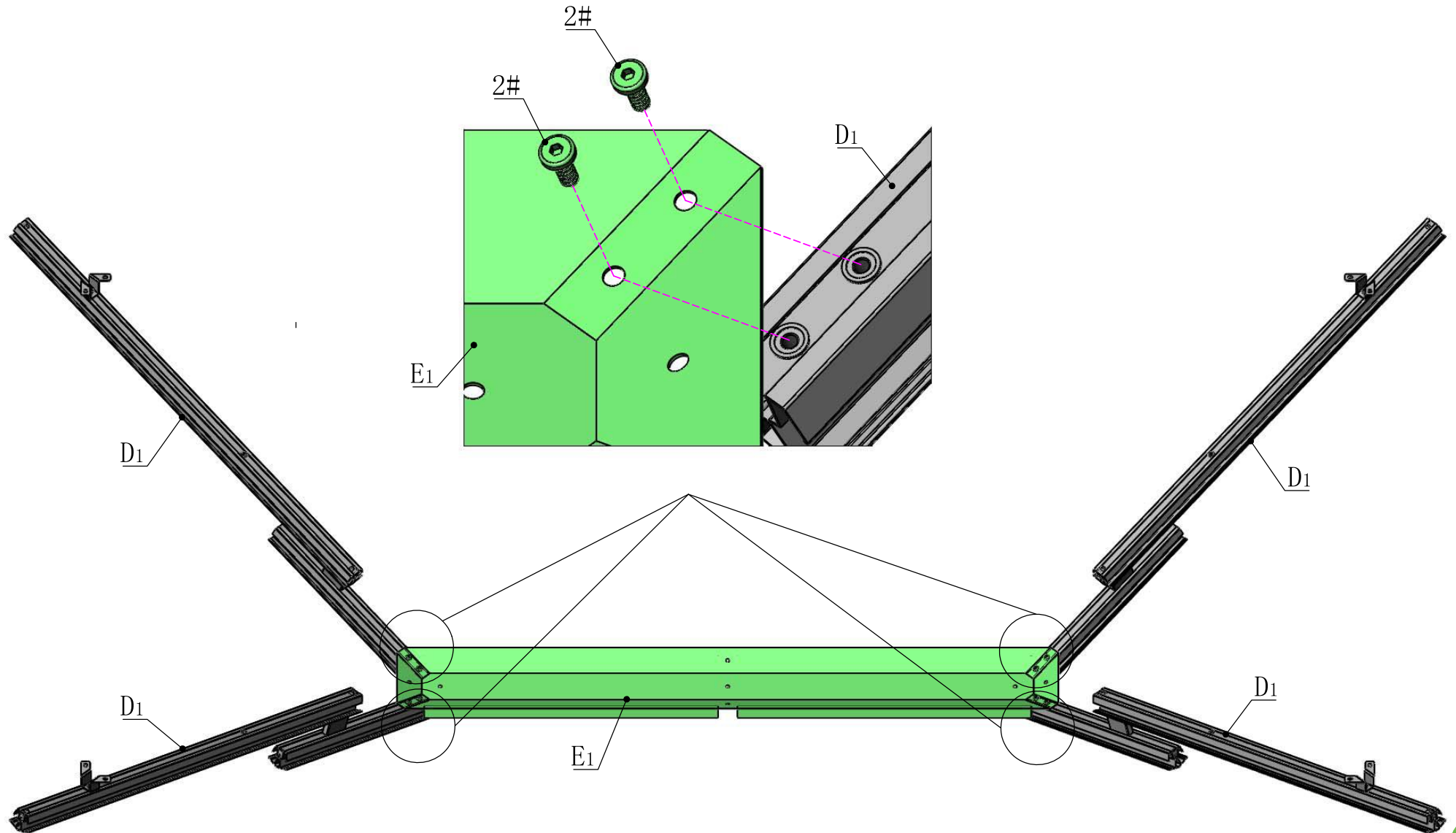
E1 1X



2# 8X



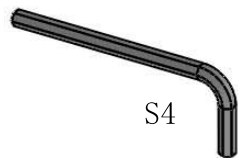
20# 1X





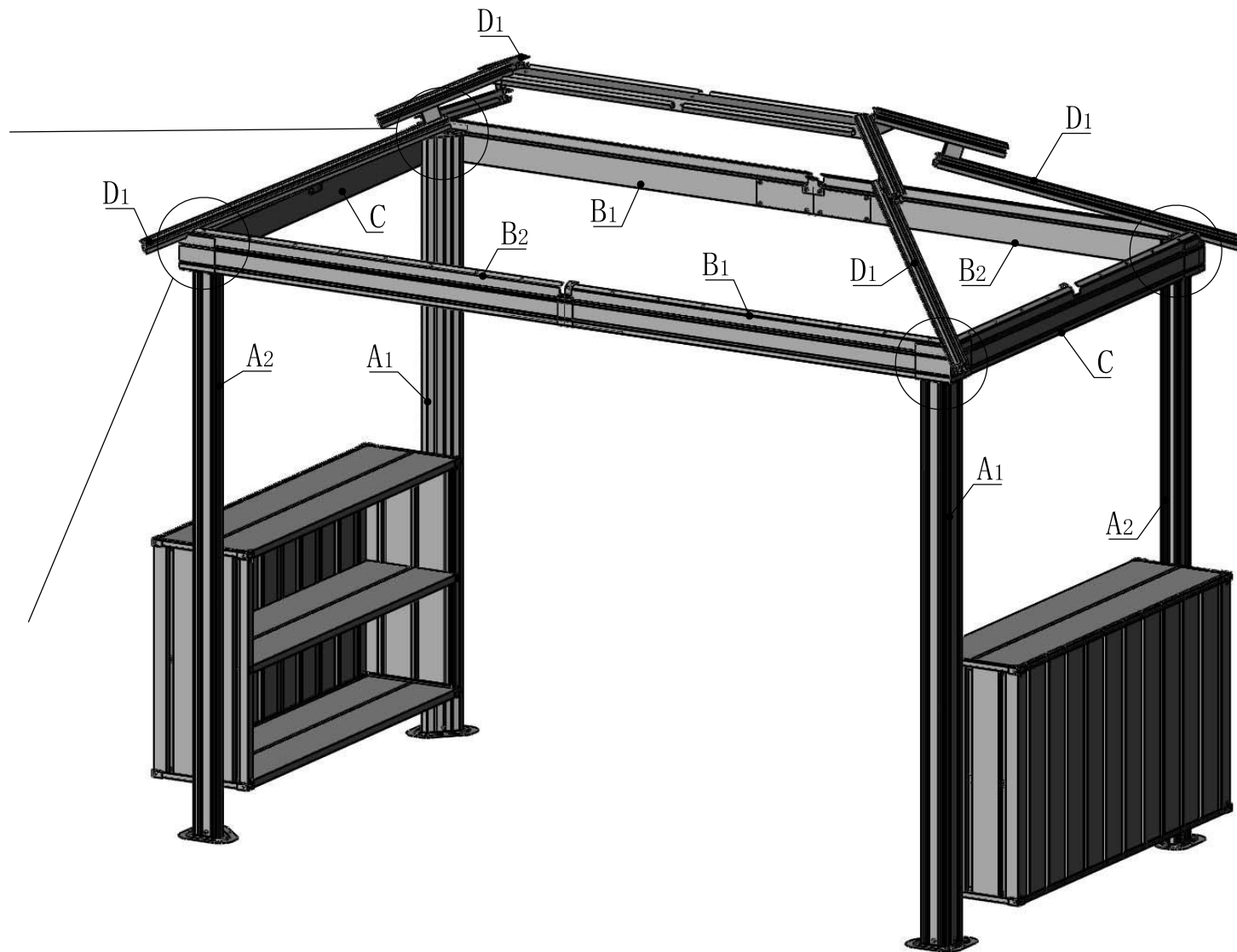
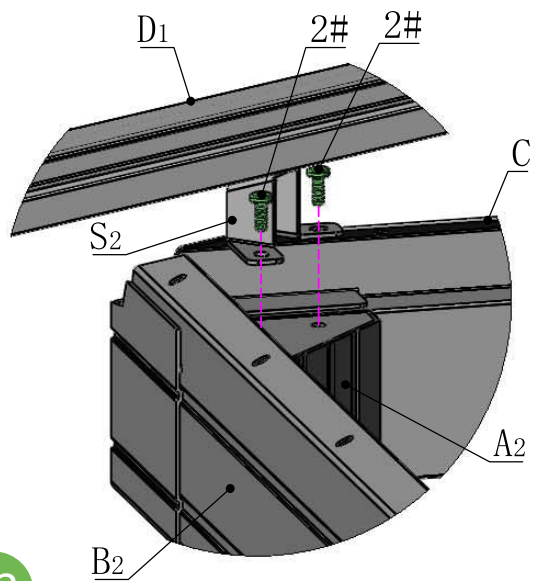
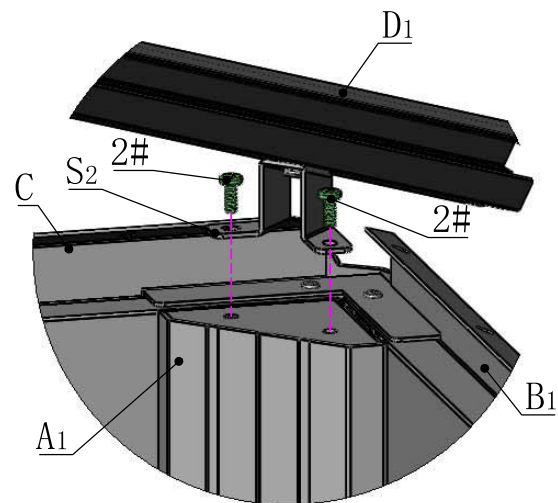
M6*16

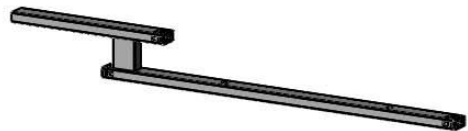
2# 8X



S4

20# 1X





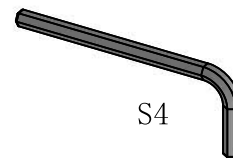
D2 4X



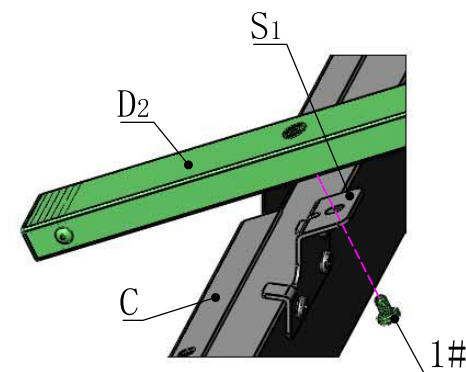
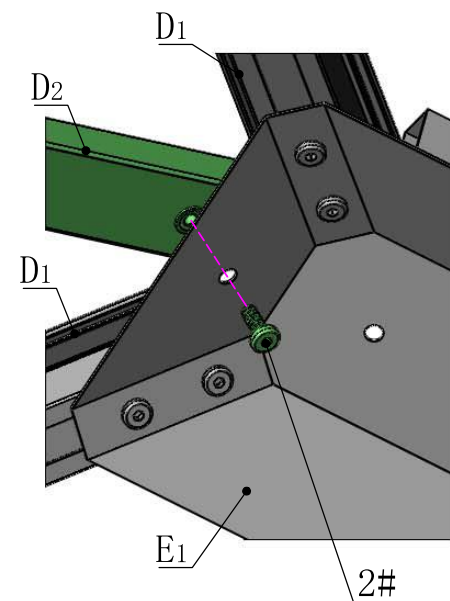
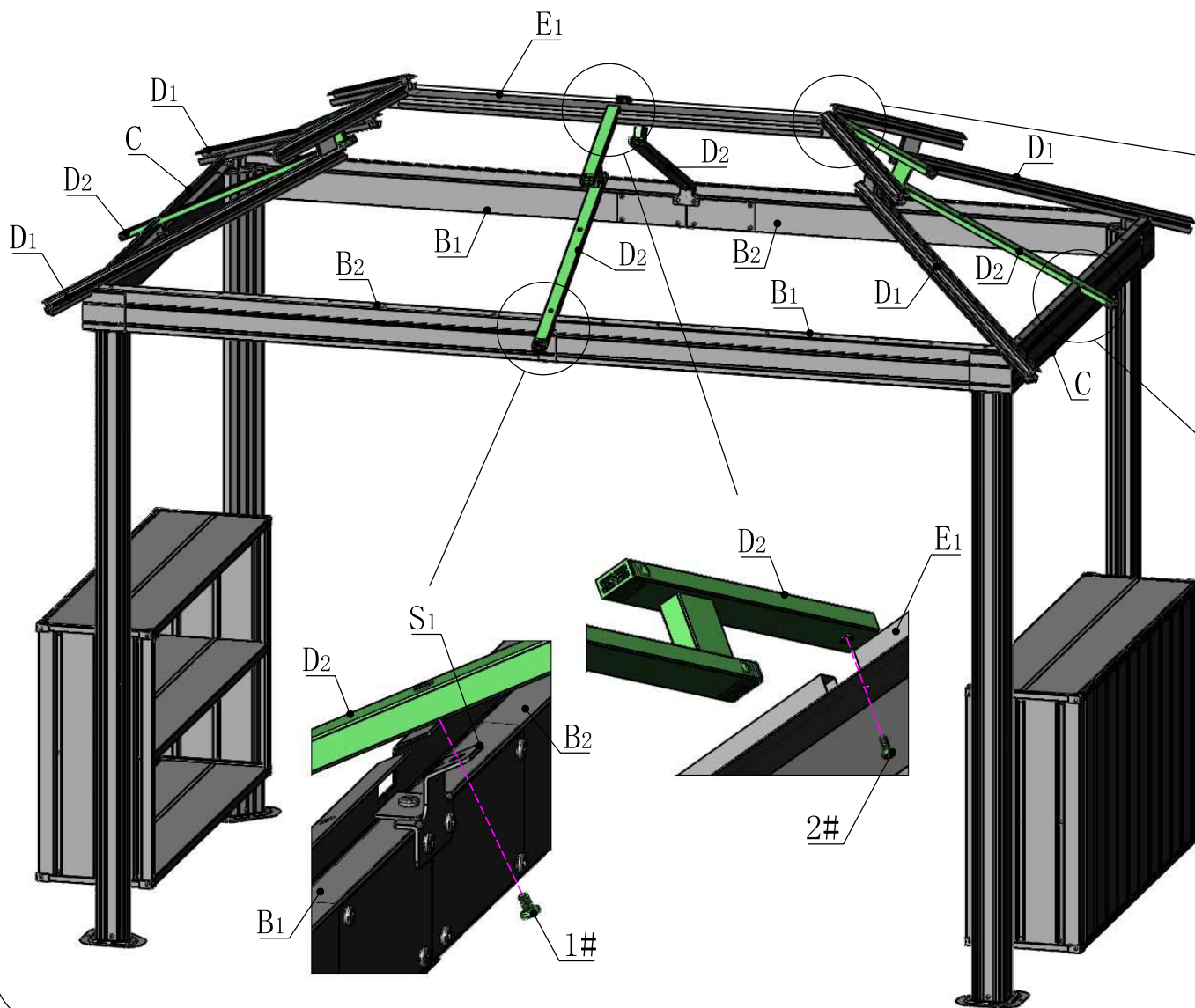
1# 4X

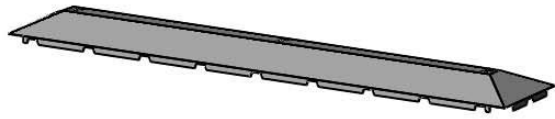


2# 4X

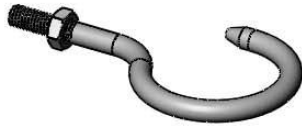


S4 20# 1X

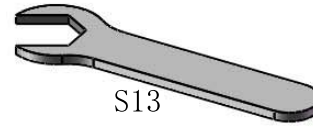




E2 1X

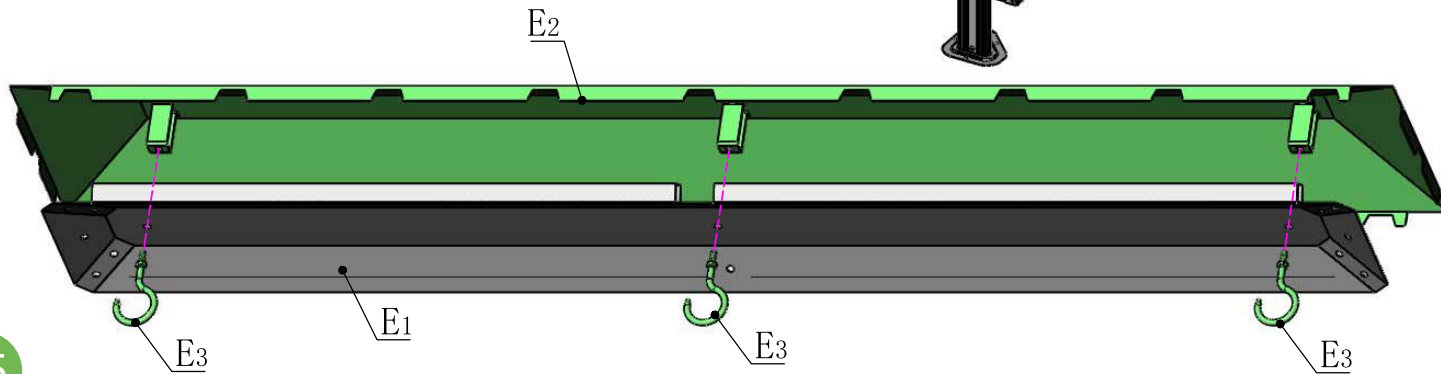
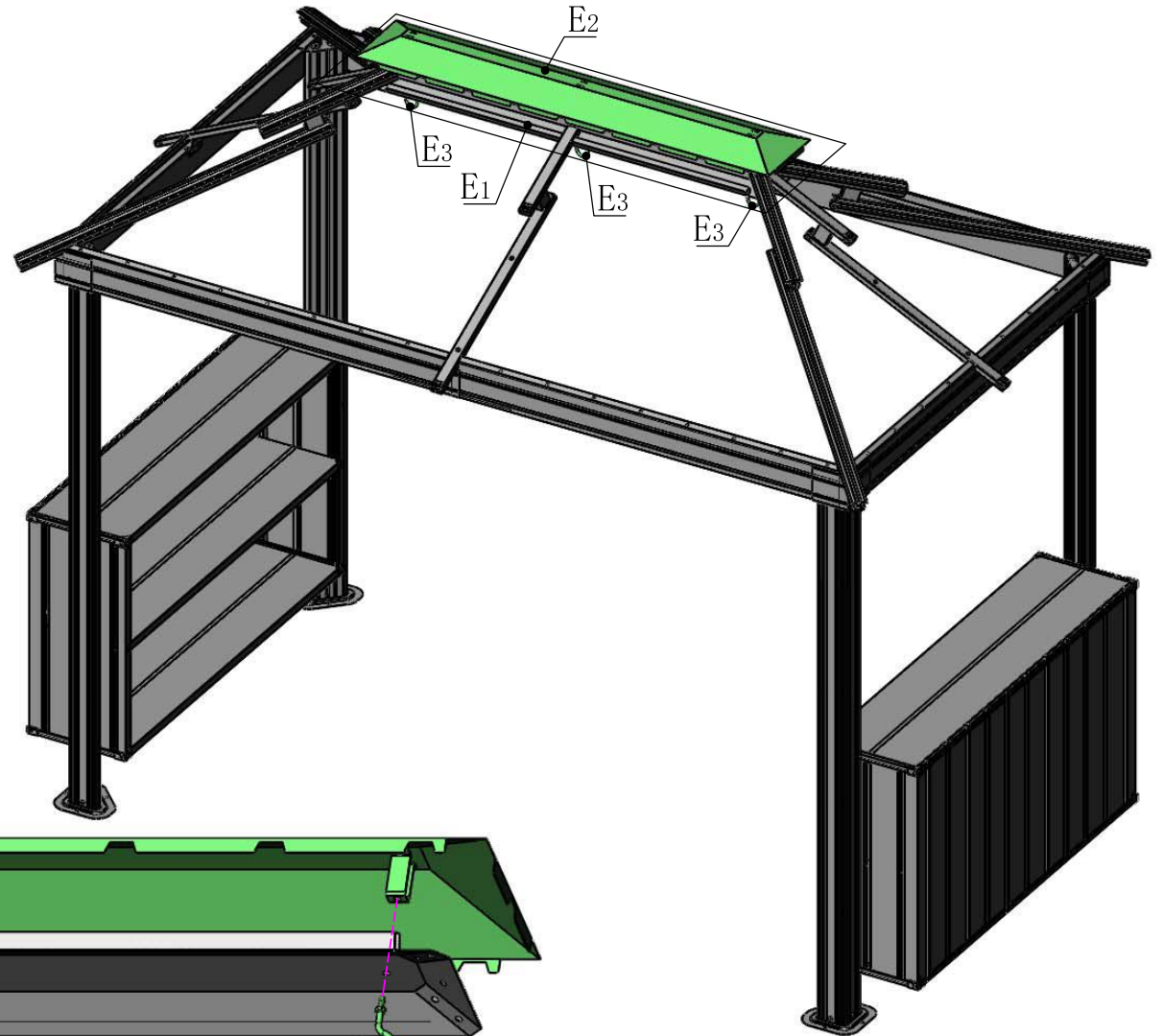


E3 3X



S13

21# 1X

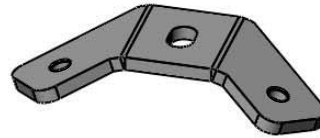




F1 4X



S3 2X



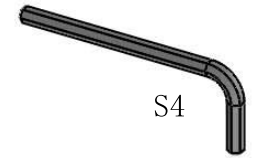
S4 4X



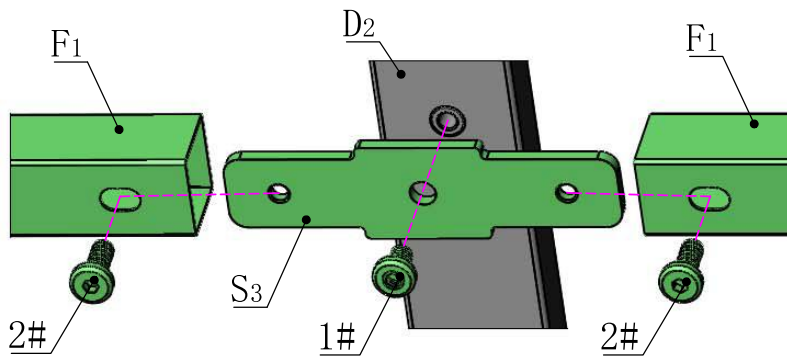
1# 2X



2# 12X



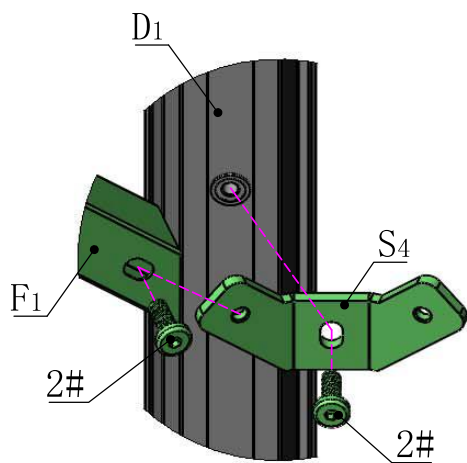
20# 1X



2#

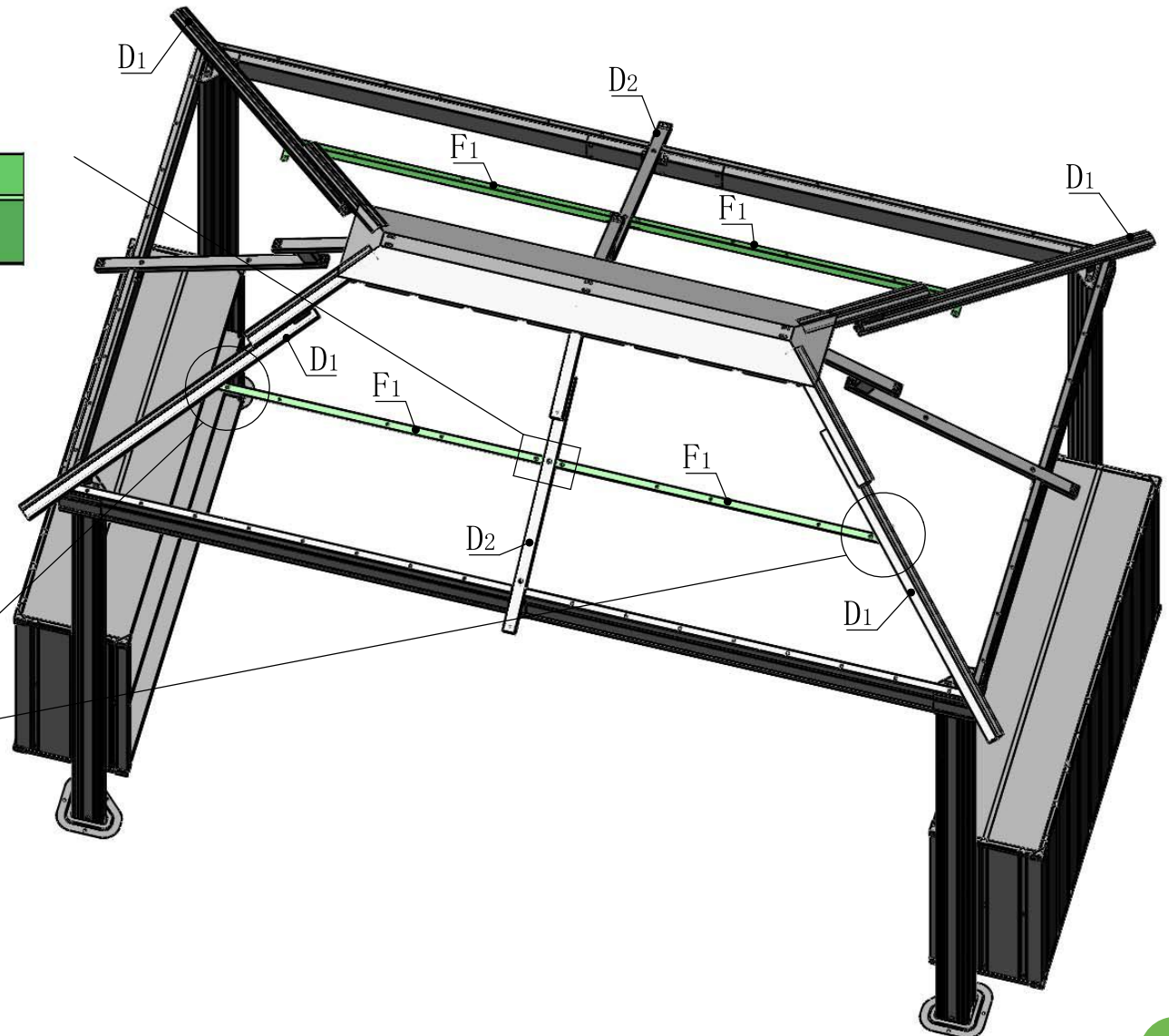
1#

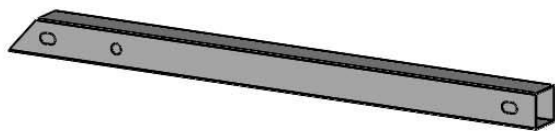
2#



2#

2#





F2 4X



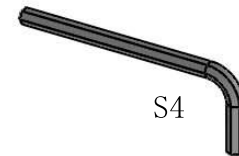
S3 2X



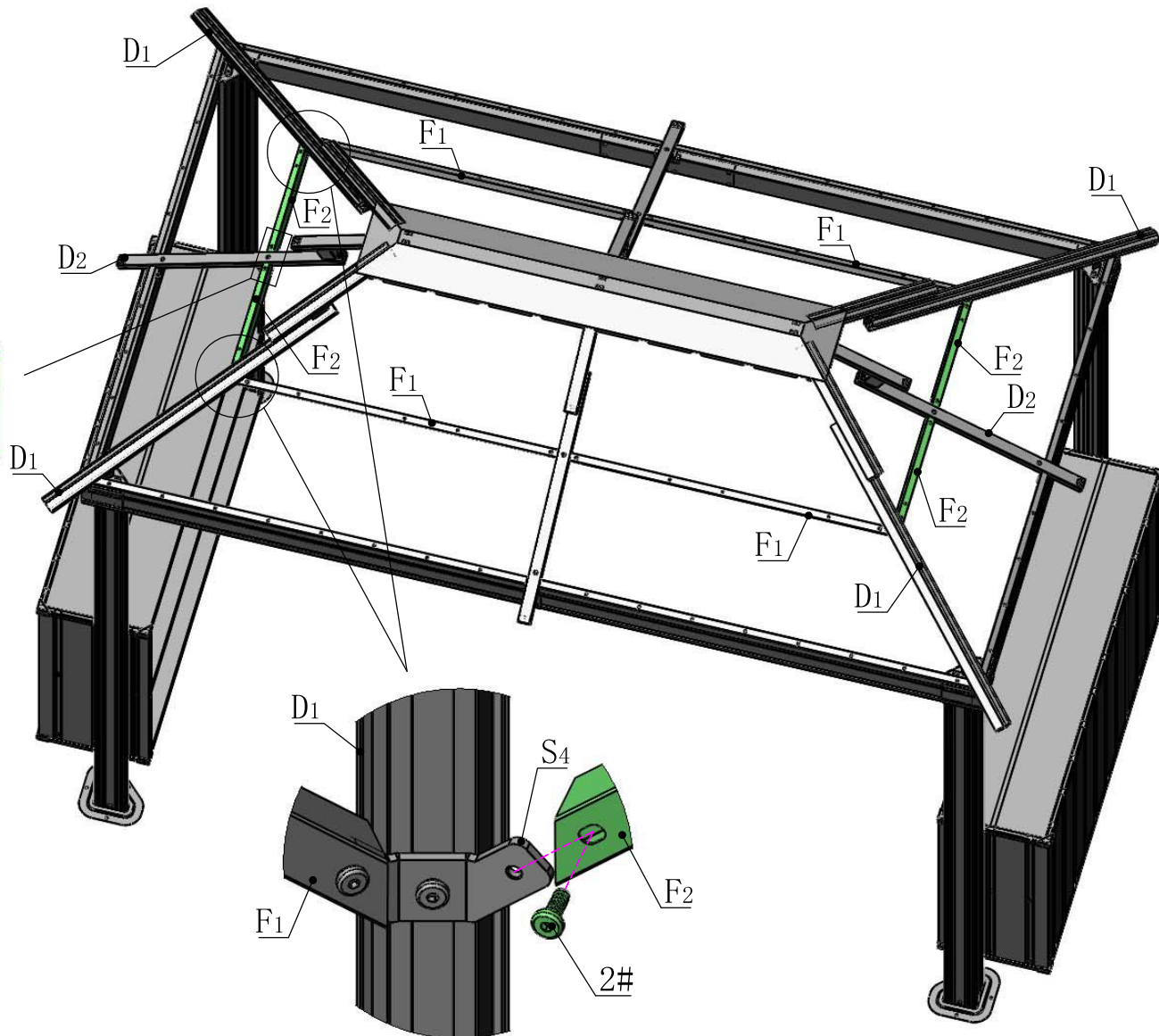
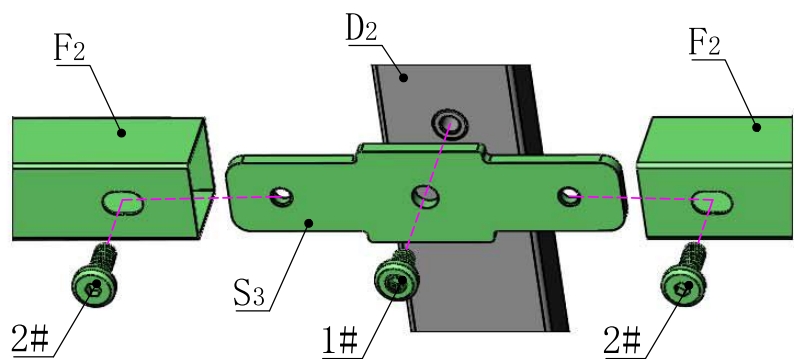
1# 2X

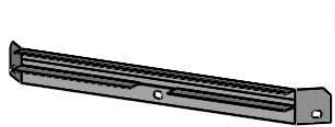


2# 8X



20# 1X





G1 2X

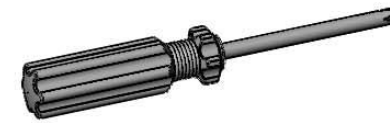


G2 2X

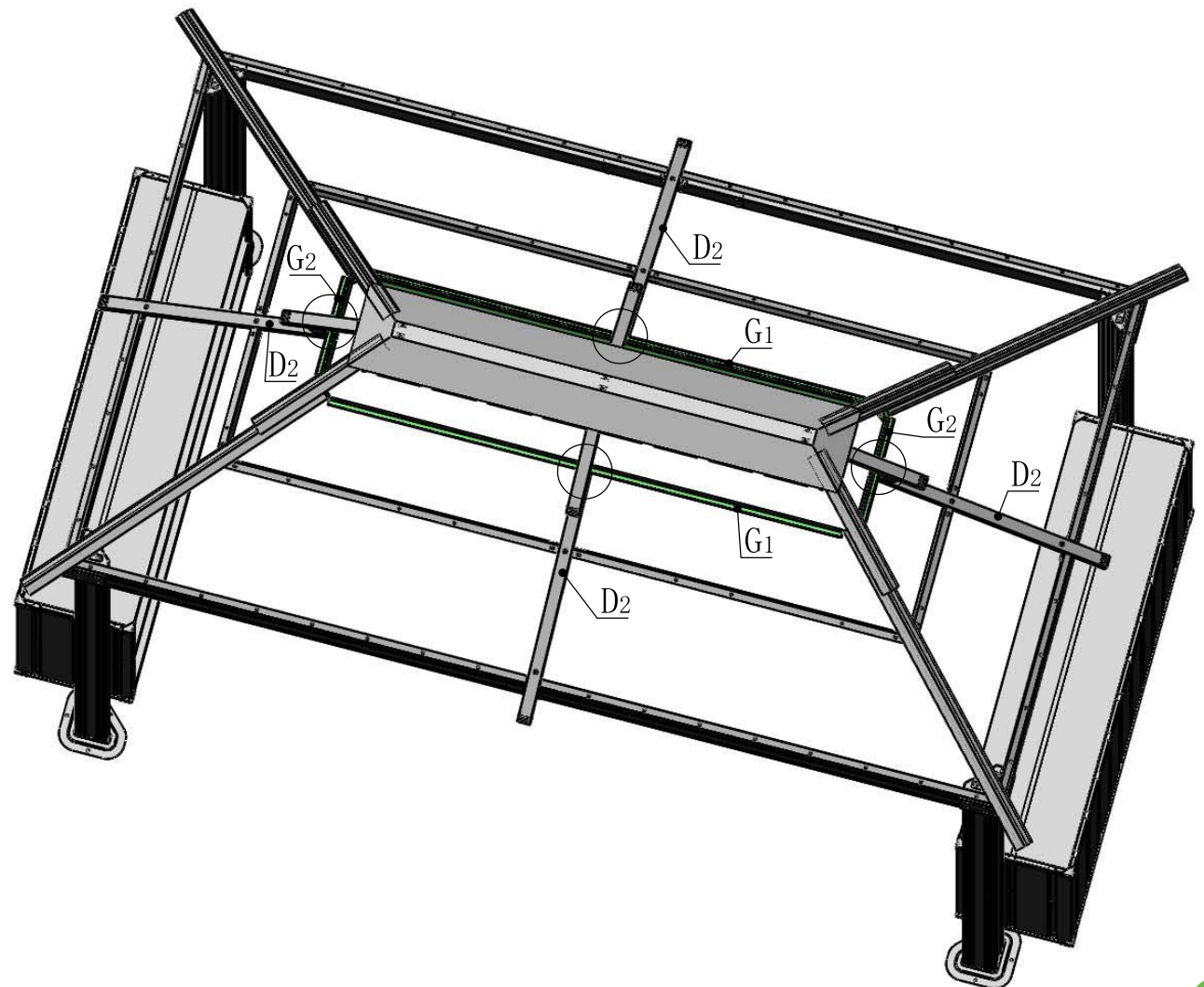
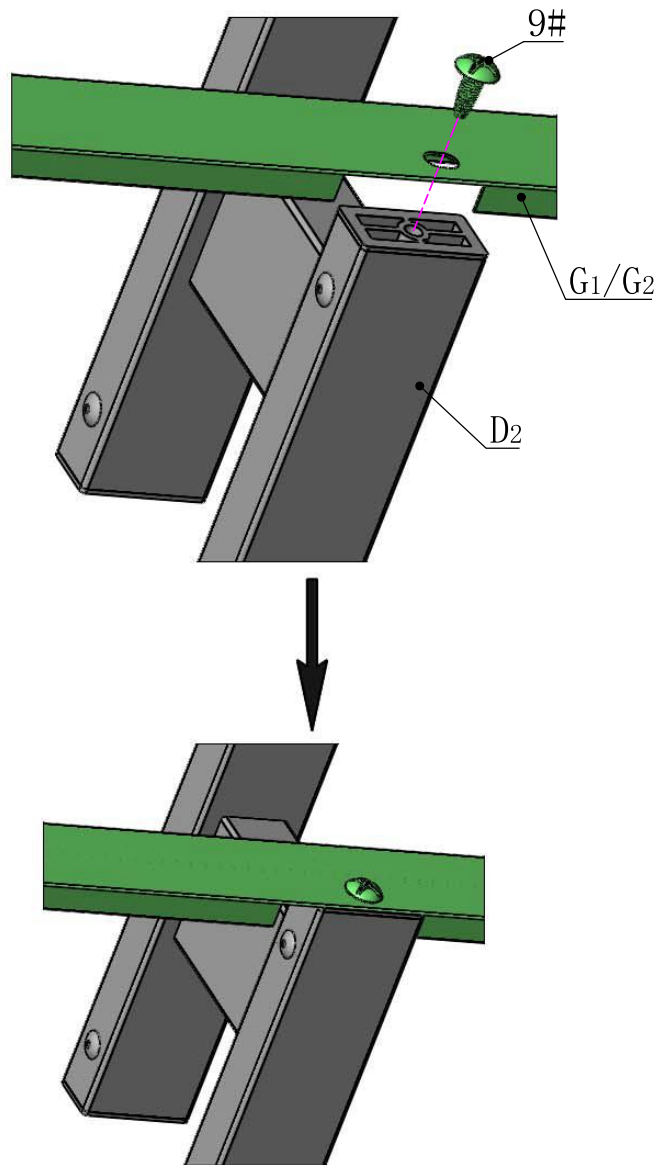


9# 4X

ST6. 3*15

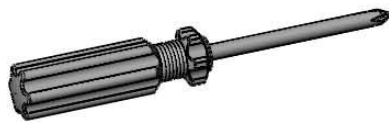


22# 1X



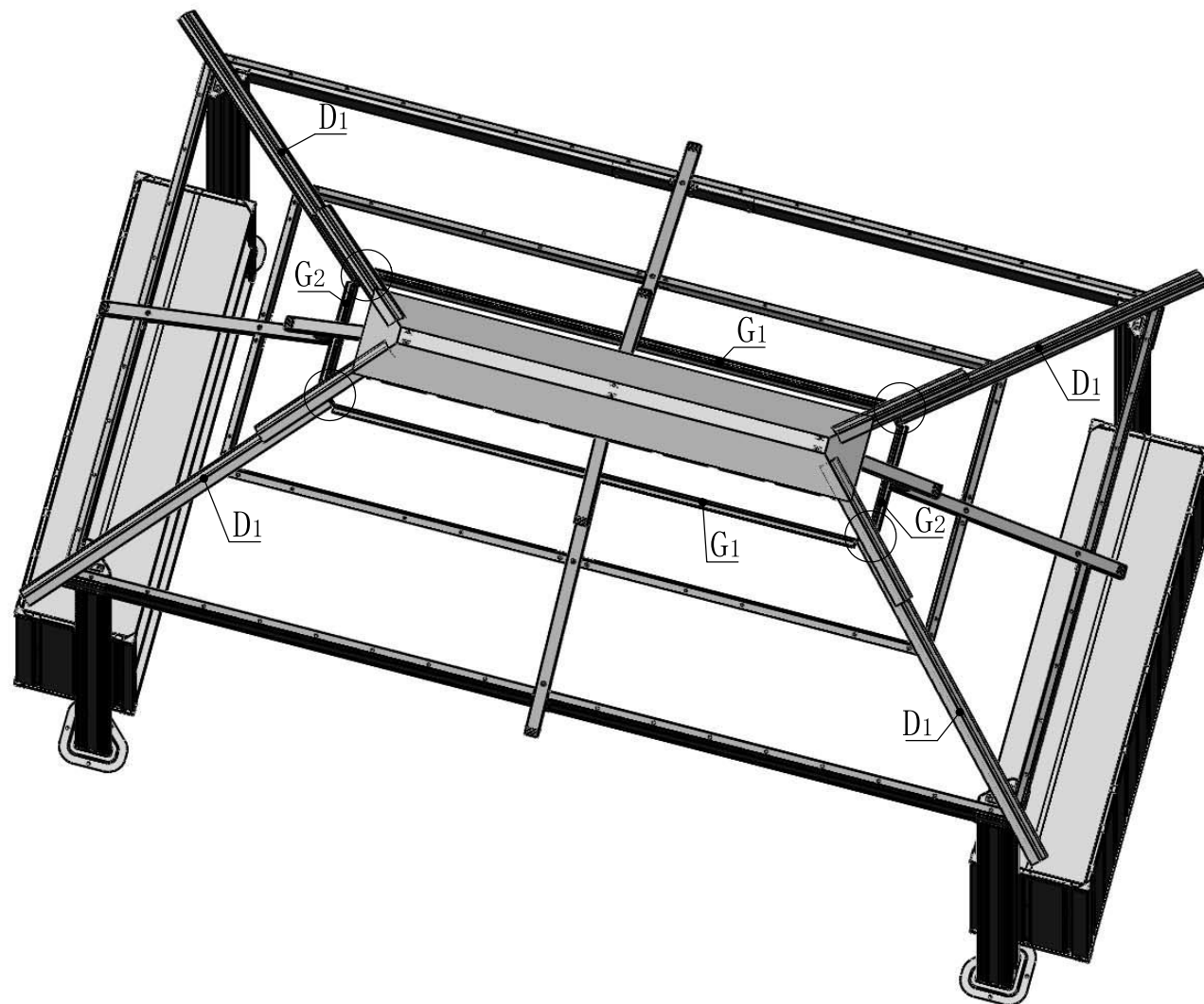
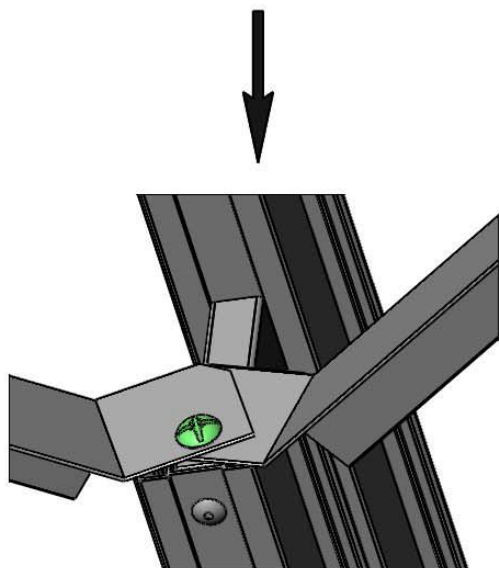
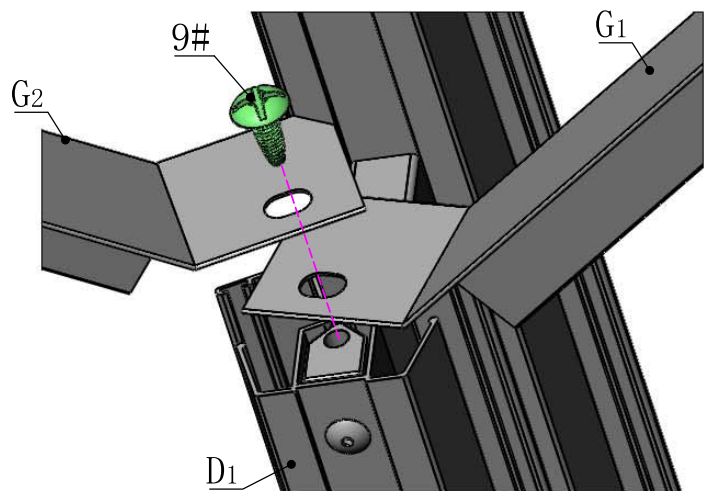


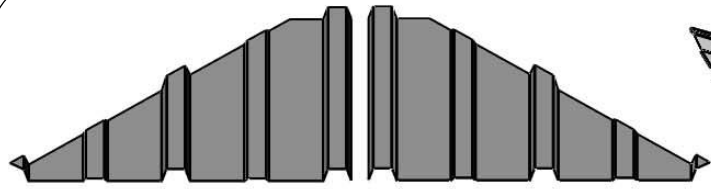
ST6. 3*15



9# 4X

22# 1X





K1 2X

K2 2X



Z 4X



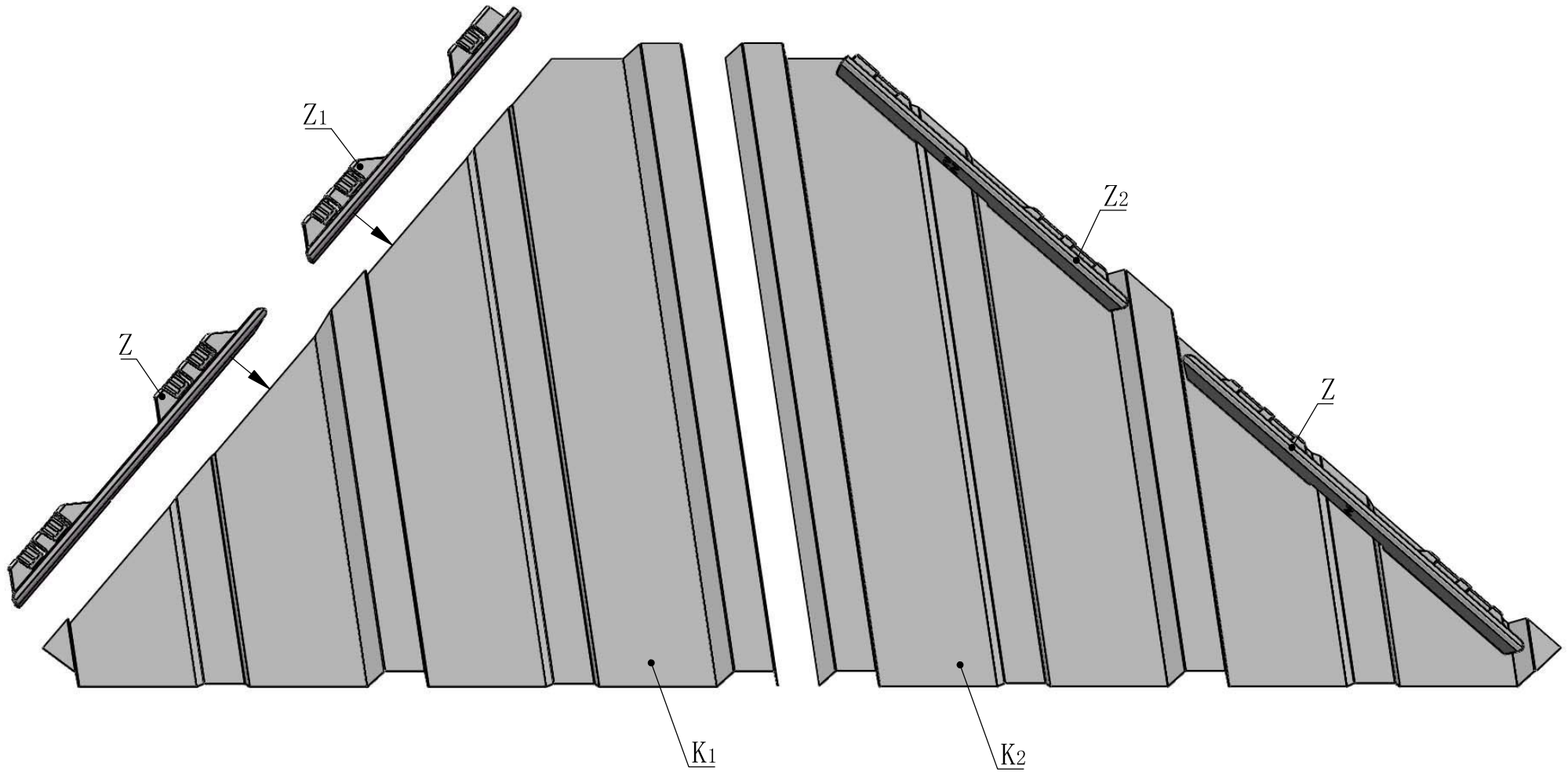
Z1 2X



Z2 2X

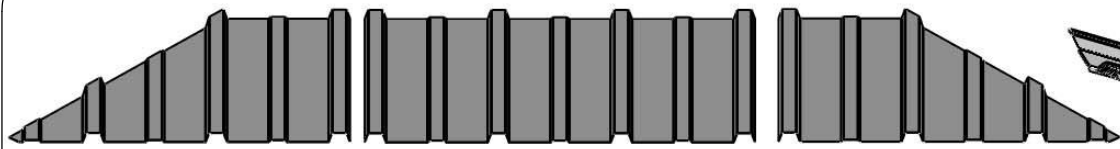


AA 1X



K1

K2



L1 2X

L2 4X

L3 2X



Z 4X



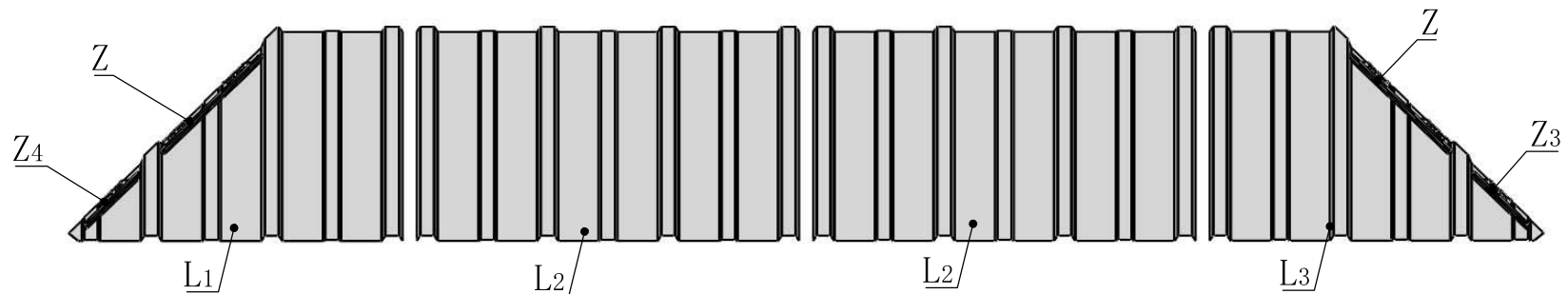
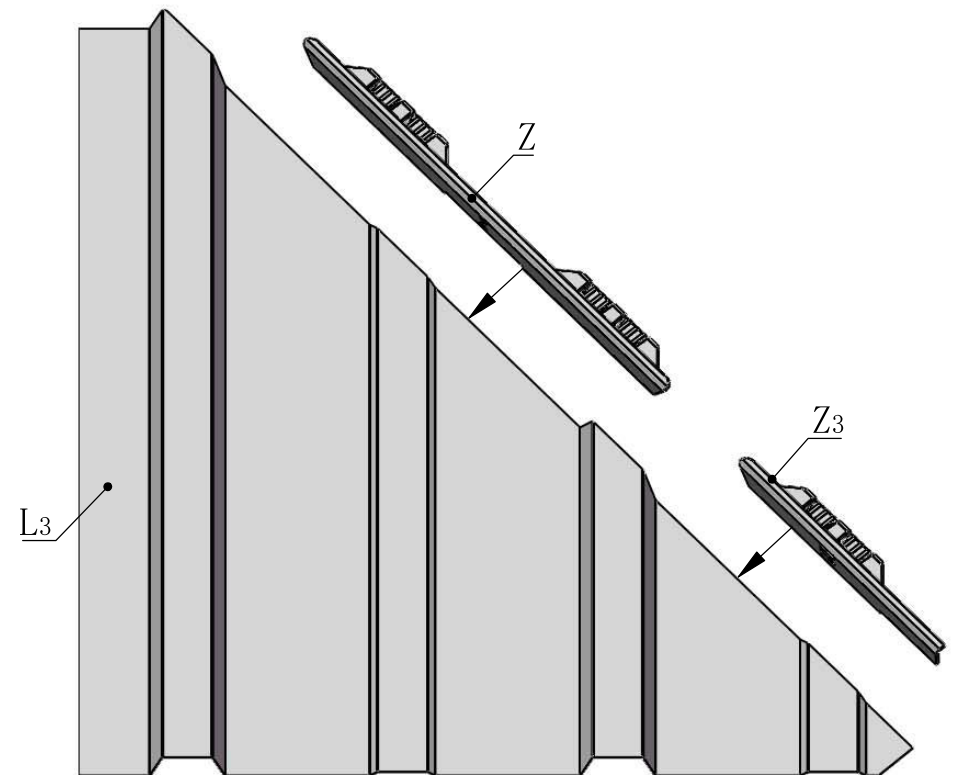
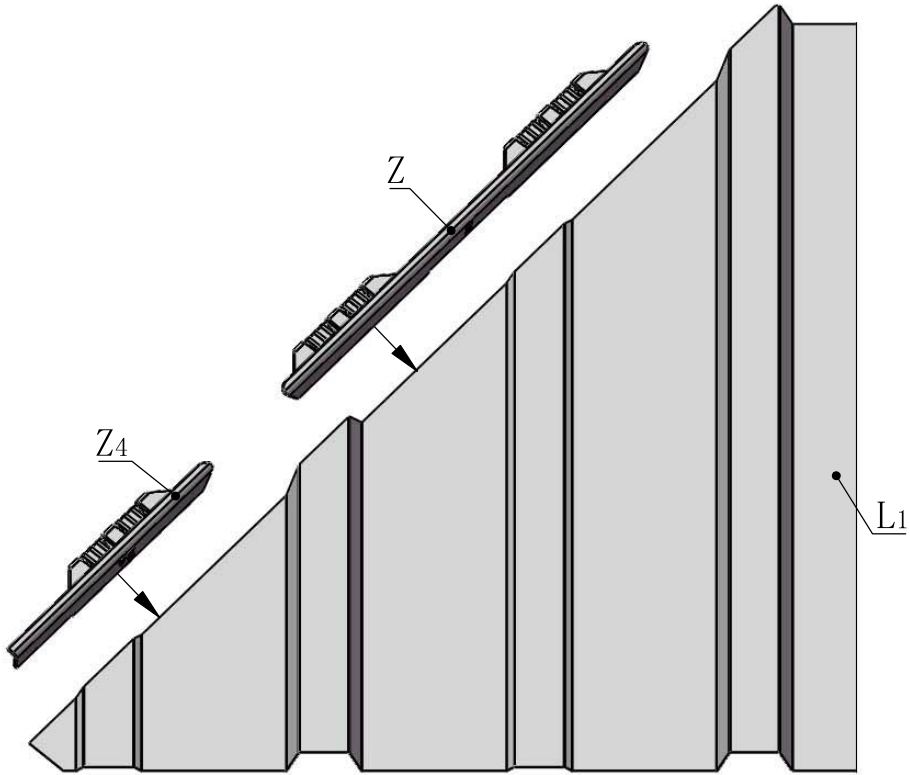
Z3 2X



Z4 2X



AA 1X

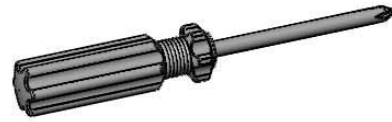




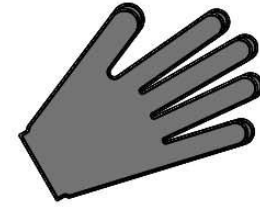
H1 2X



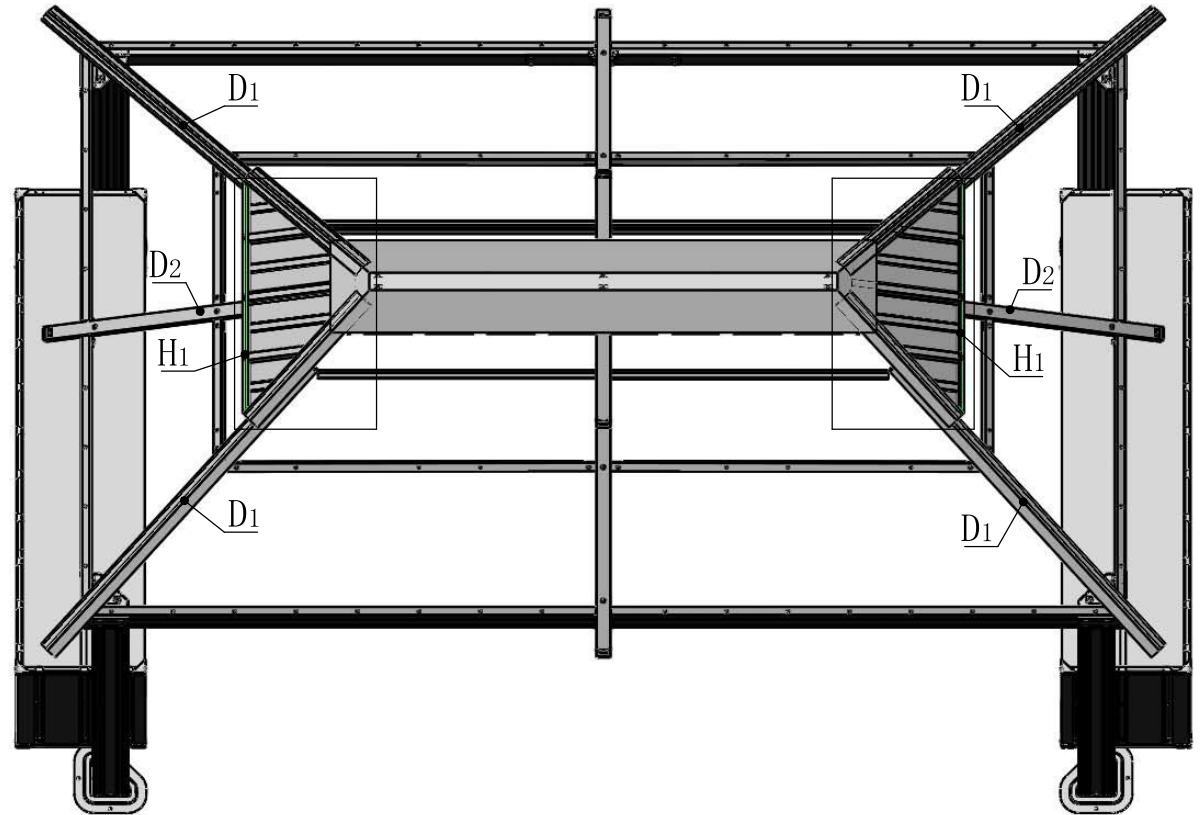
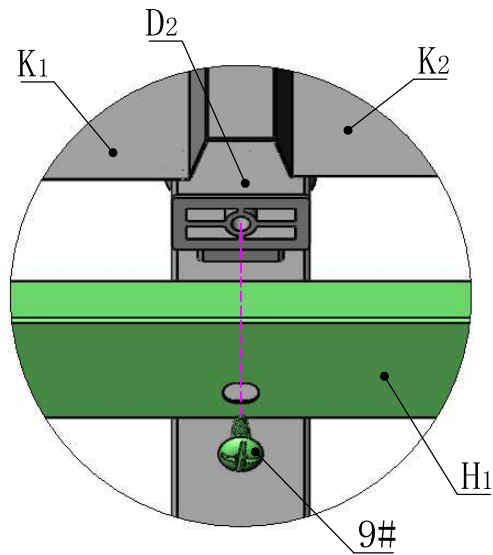
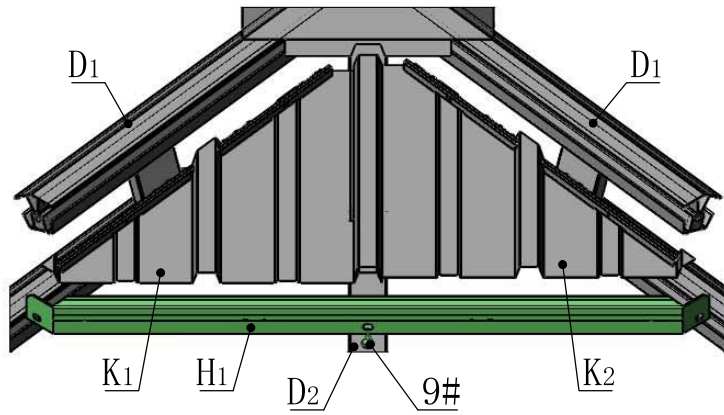
9# 2X



22# 1X



AA 1X

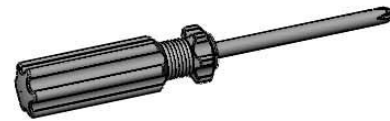




H2 2X



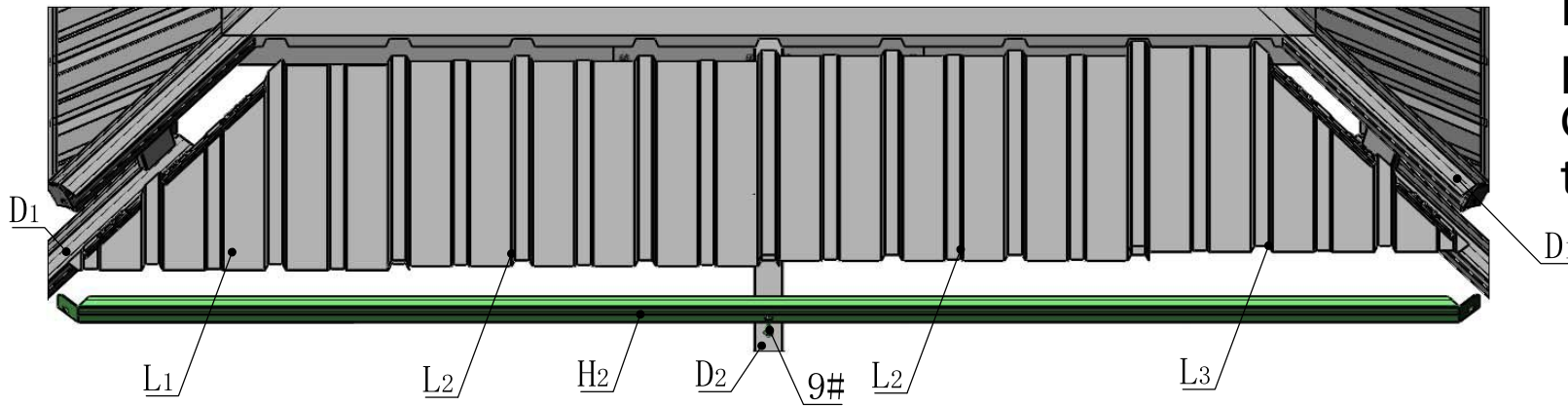
ST6. 3*15
9# 2X



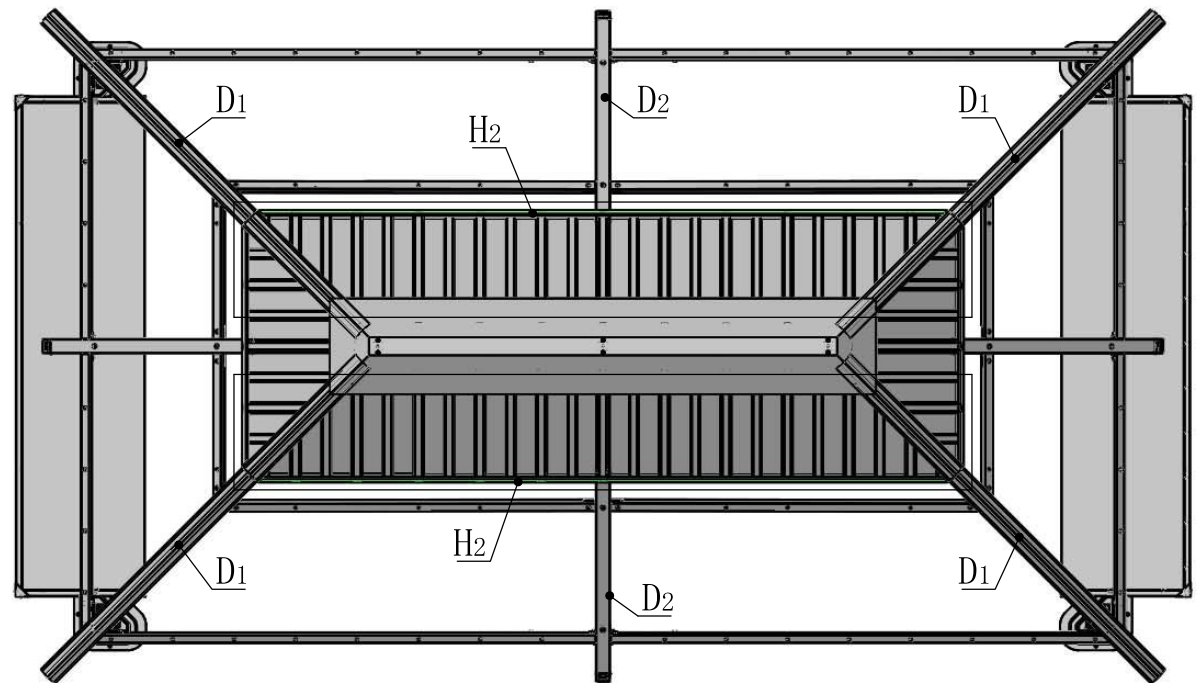
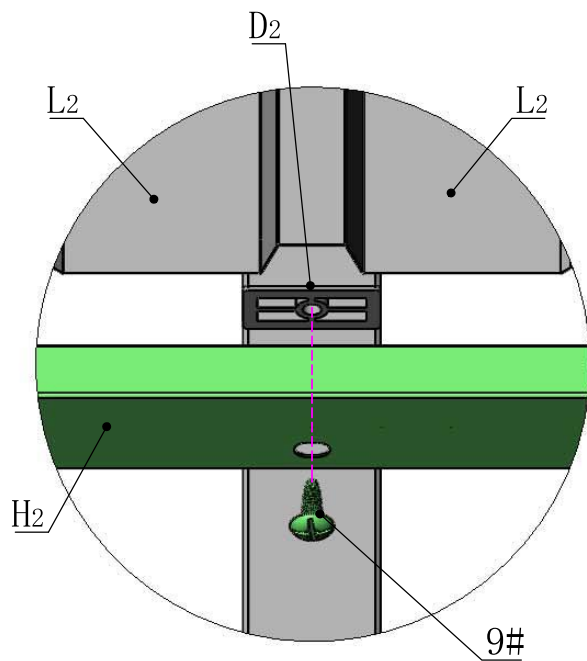
22# 1X

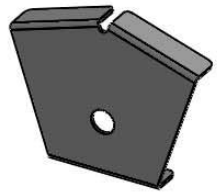


AA 1X



If you can't install #L2, push the Outside Roof Cover #E2 up and try to insert them again.





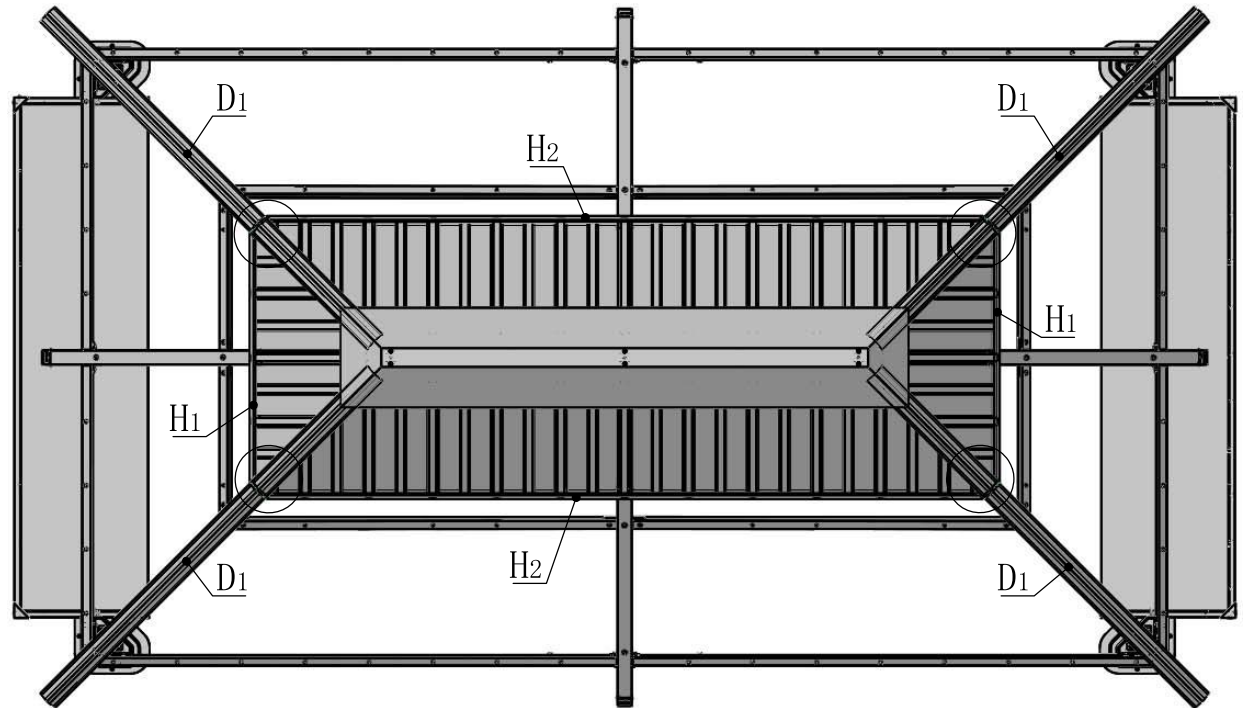
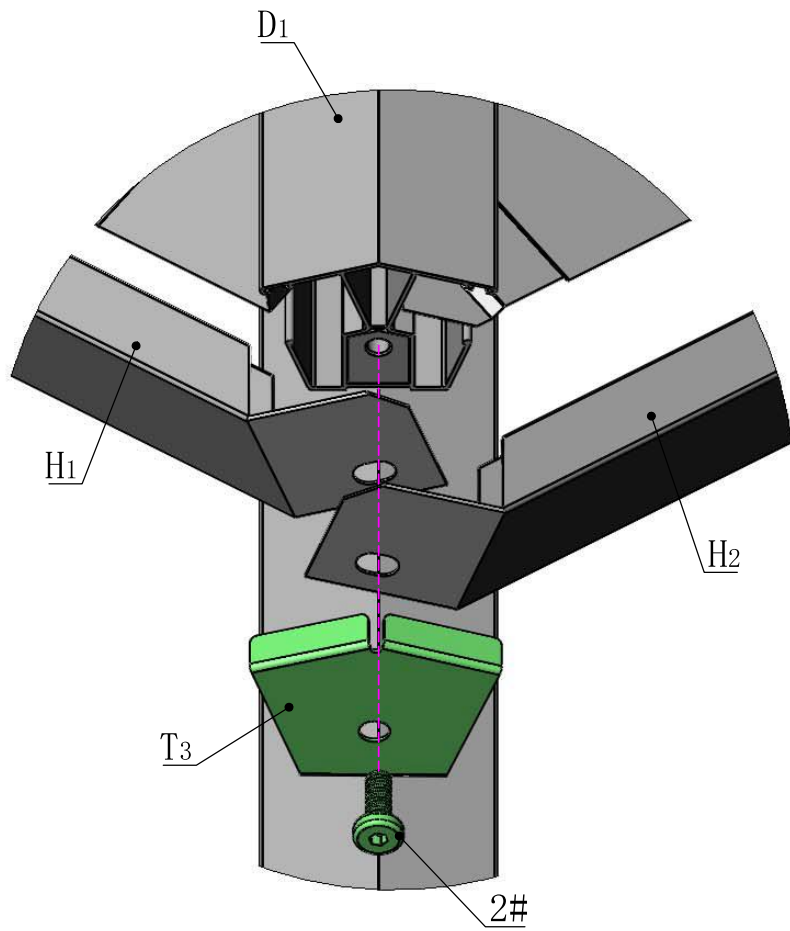
T3 4X

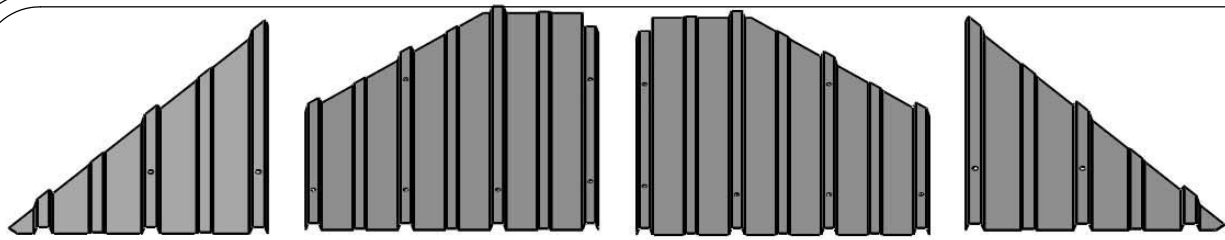


2# 4X



S4 20# 1X





M₁ 2X

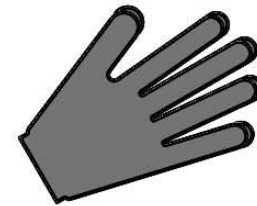
M₂ 2X

M₃ 2X

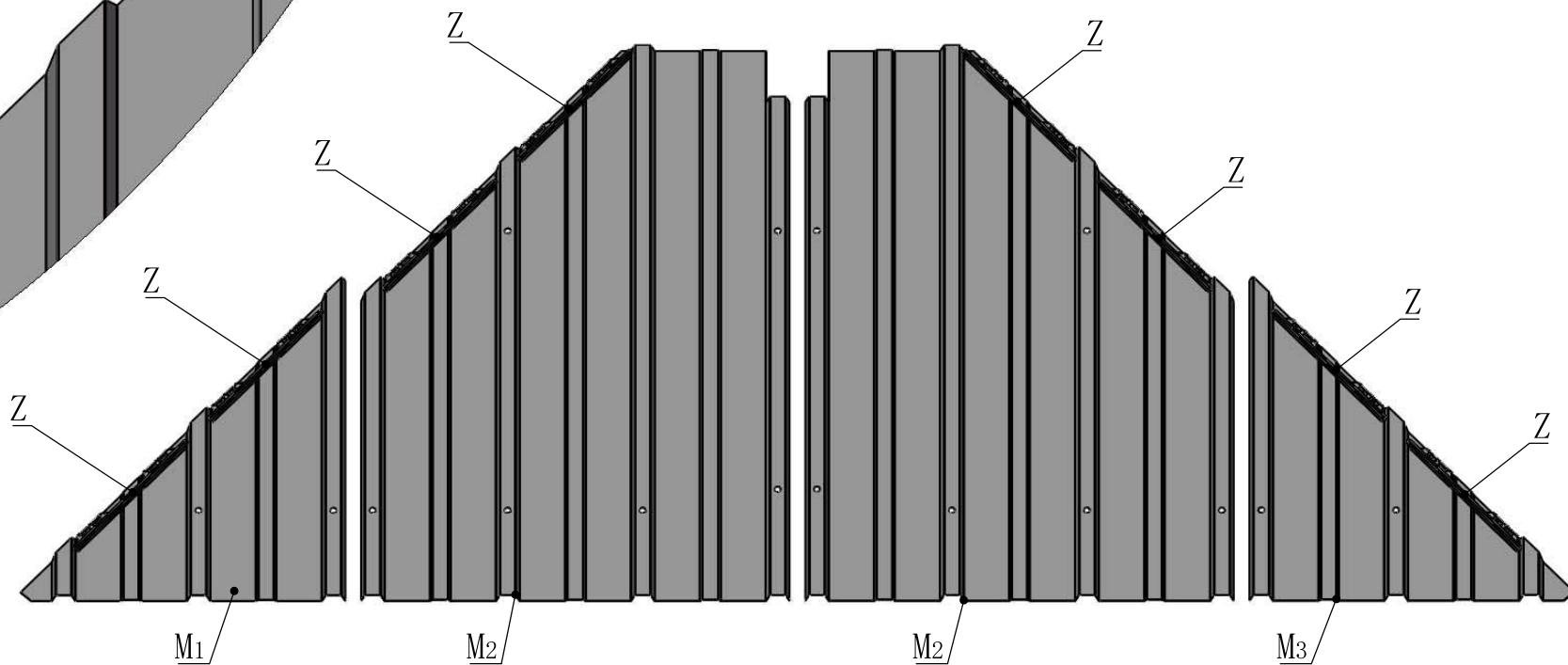
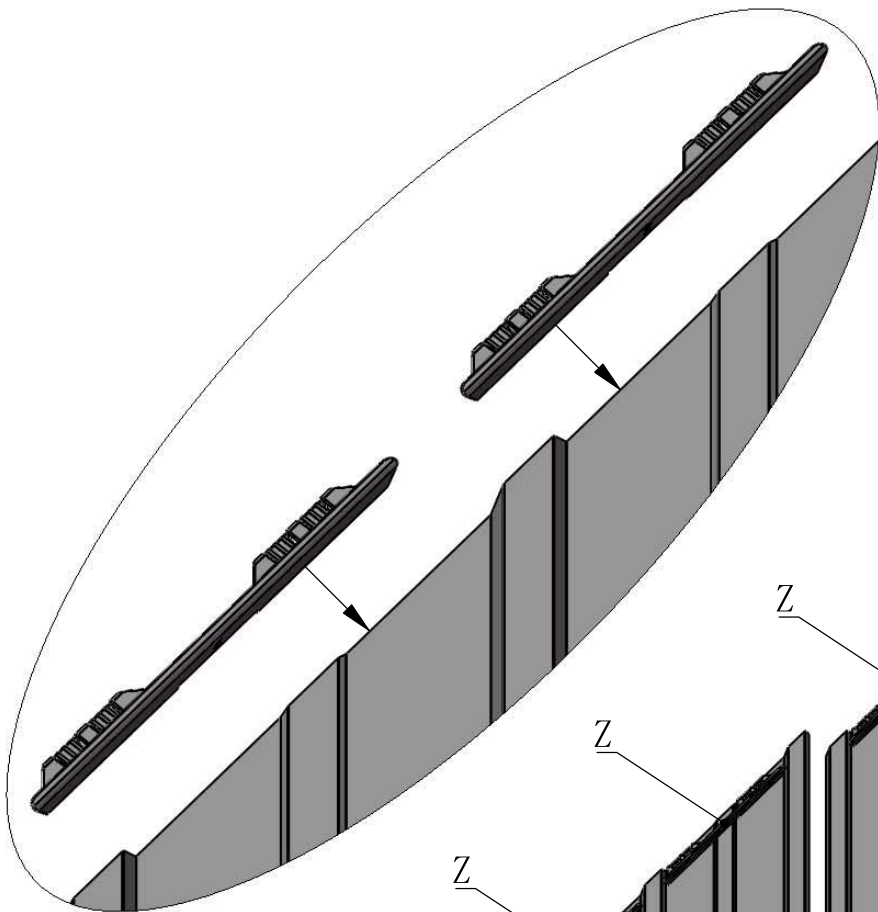
M₄ 2X

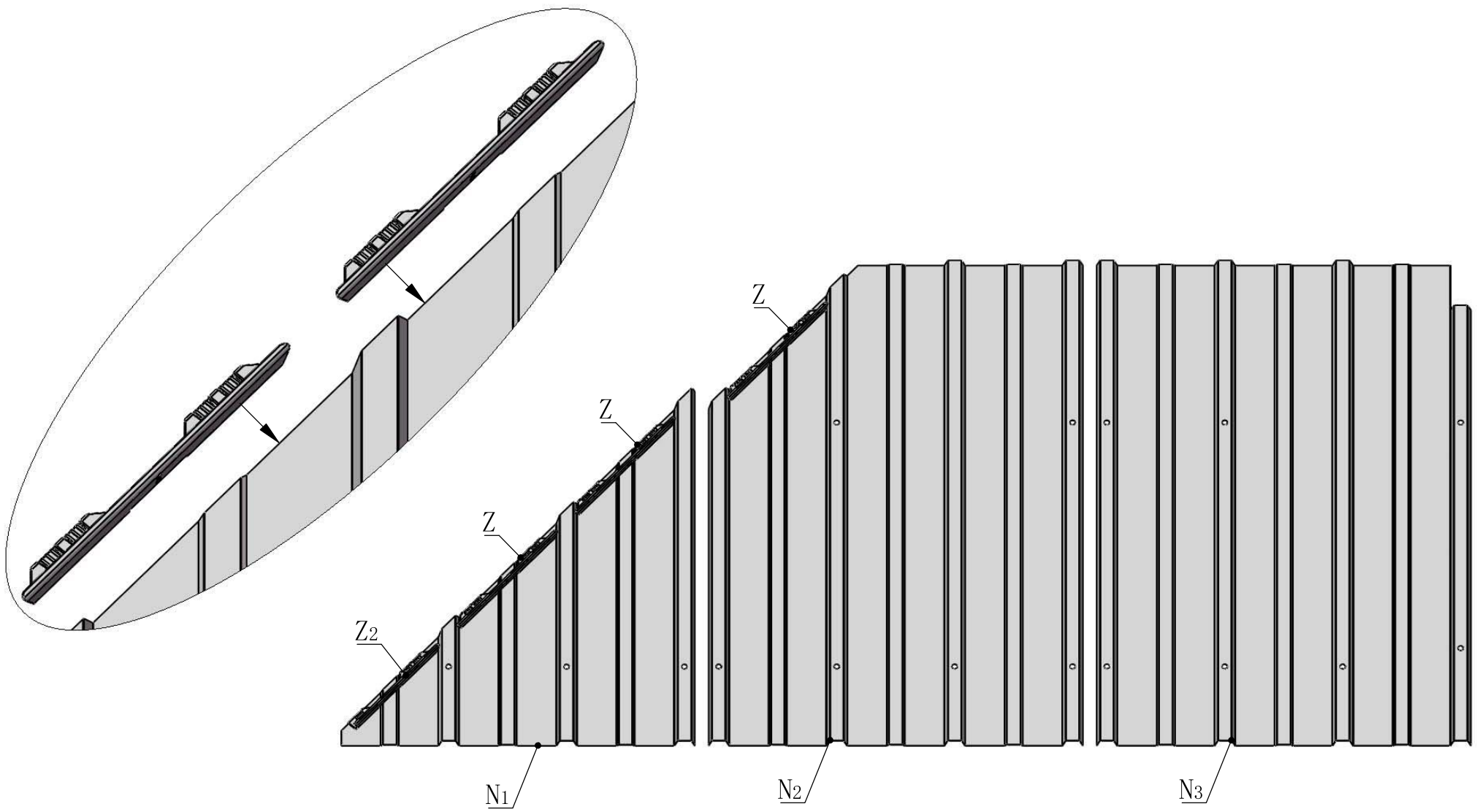
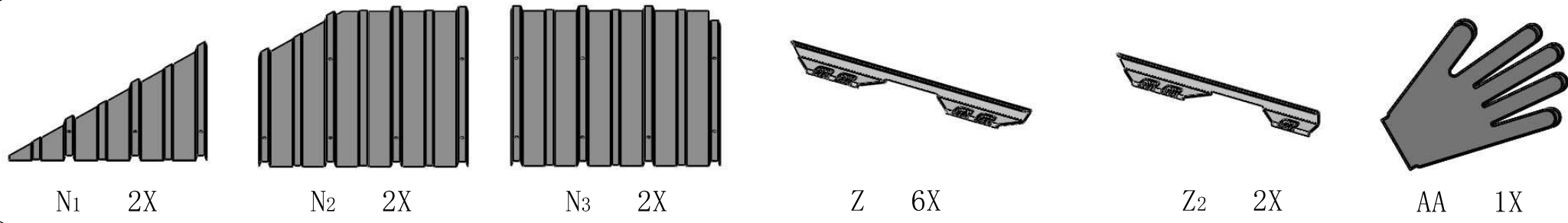


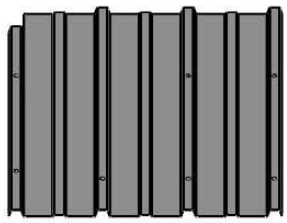
Z 16X



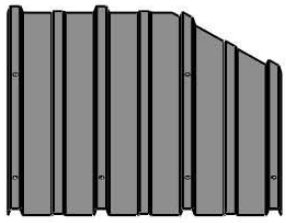
AA 1X



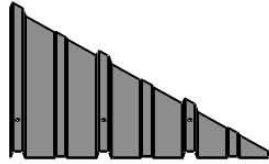




N4 2X



N5 2X



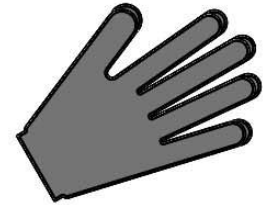
N6 2X



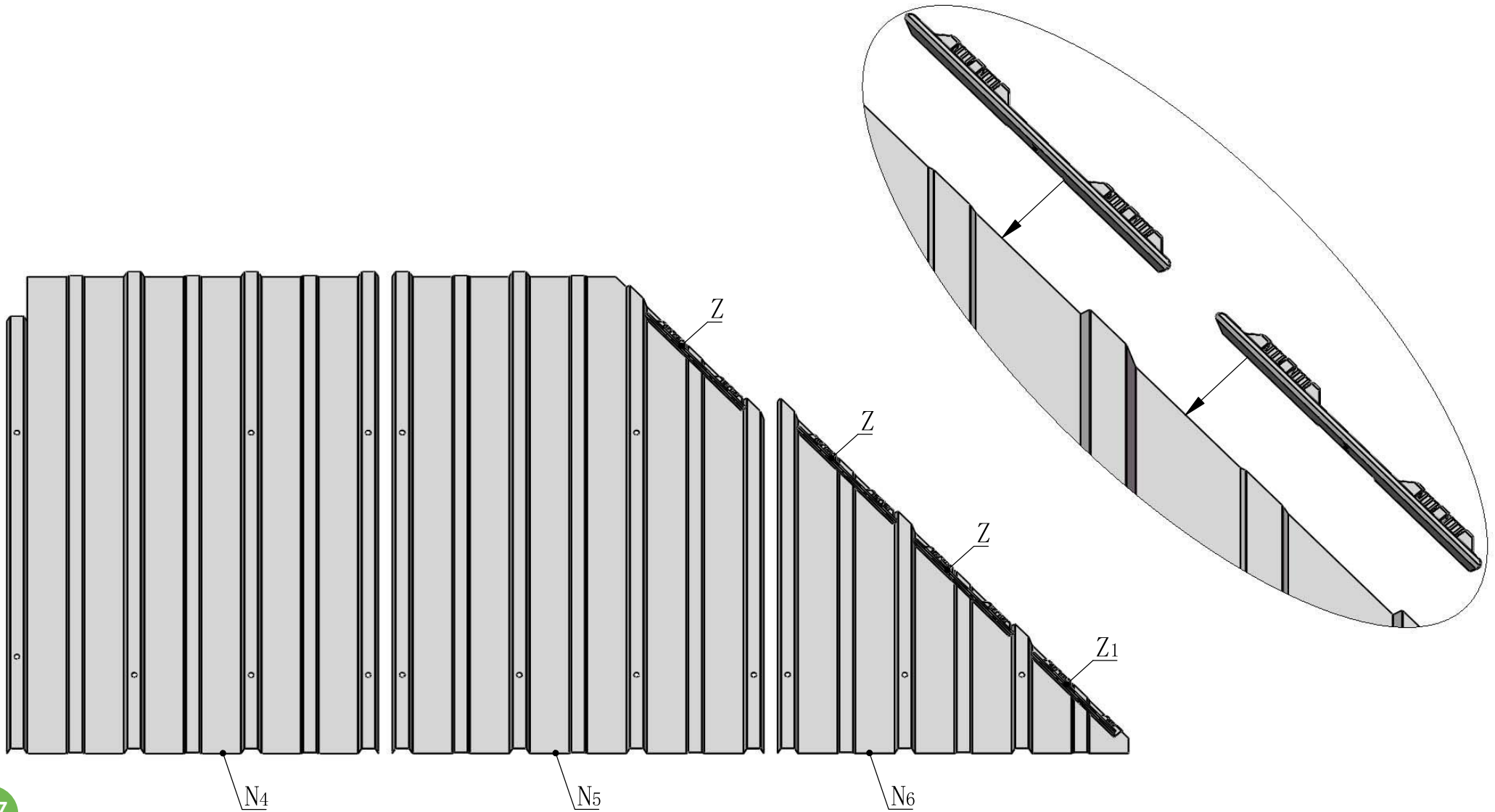
Z 6X



Z1 2X



AA 1X





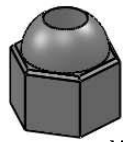
M6*25

3# 2X



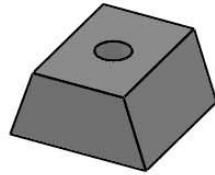
M6*28

4# 16X



M6

8# 16X

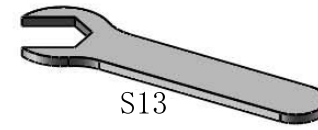


U 18X



S4

20# 1X

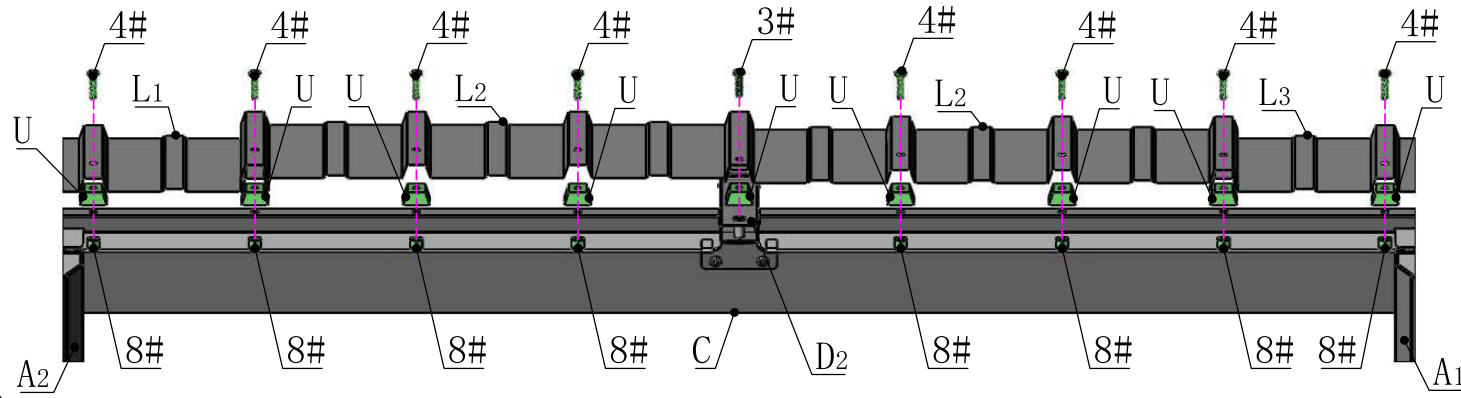
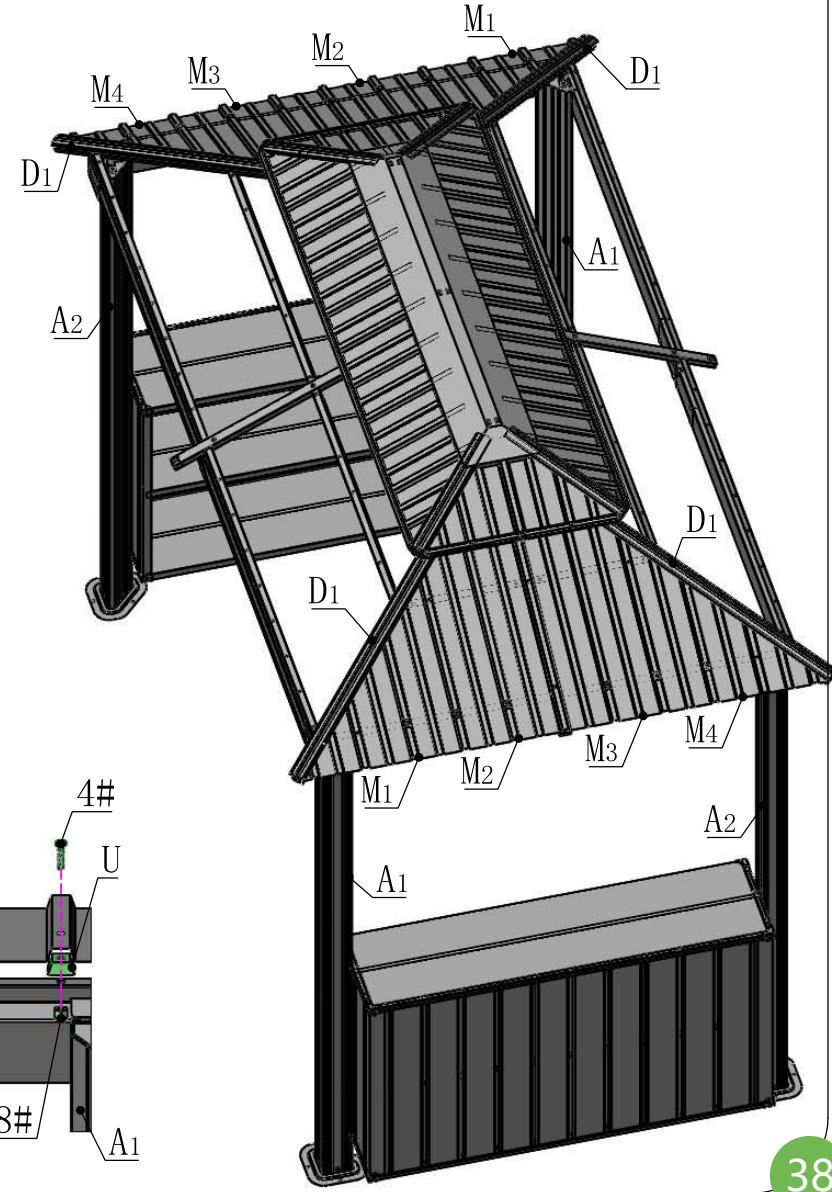
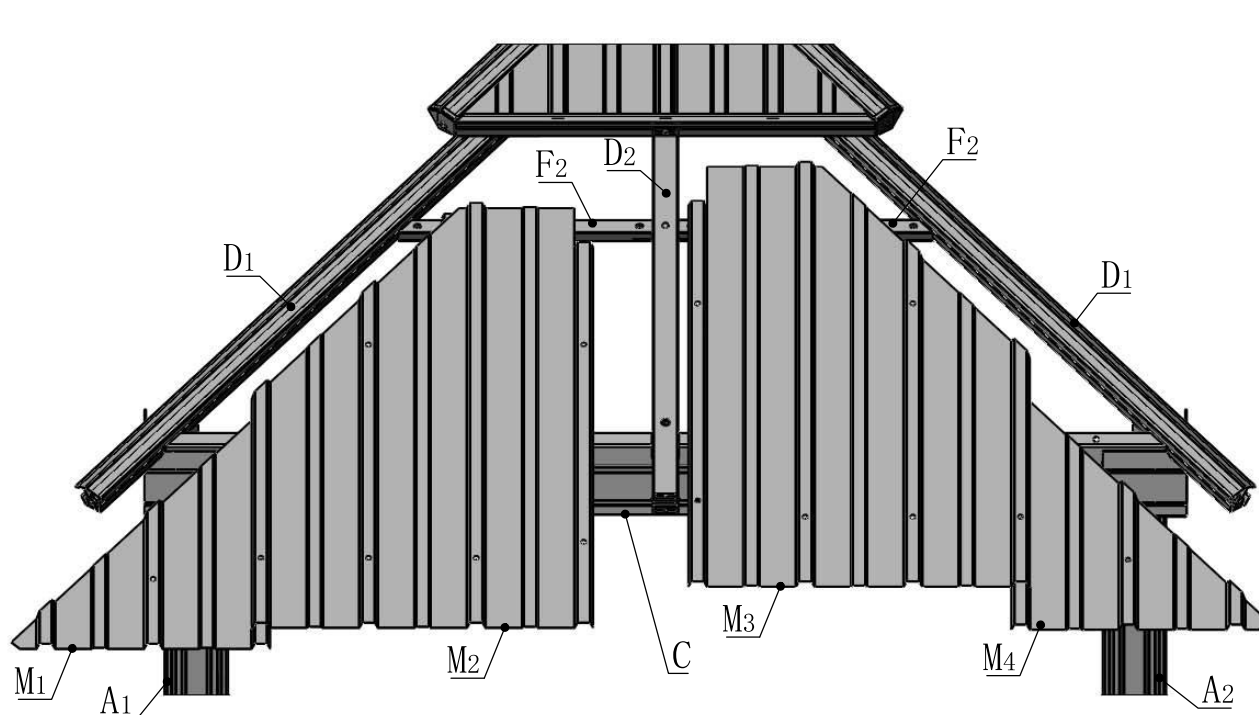


S13

21# 1X



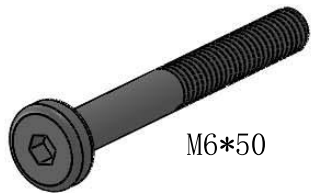
AA 1X





M6*25

3# 2X



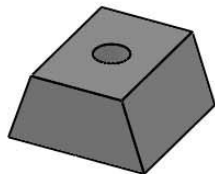
M6*50

6# 4X



M6

8# 4X

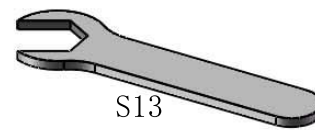


U 6X



S4

20# 1X

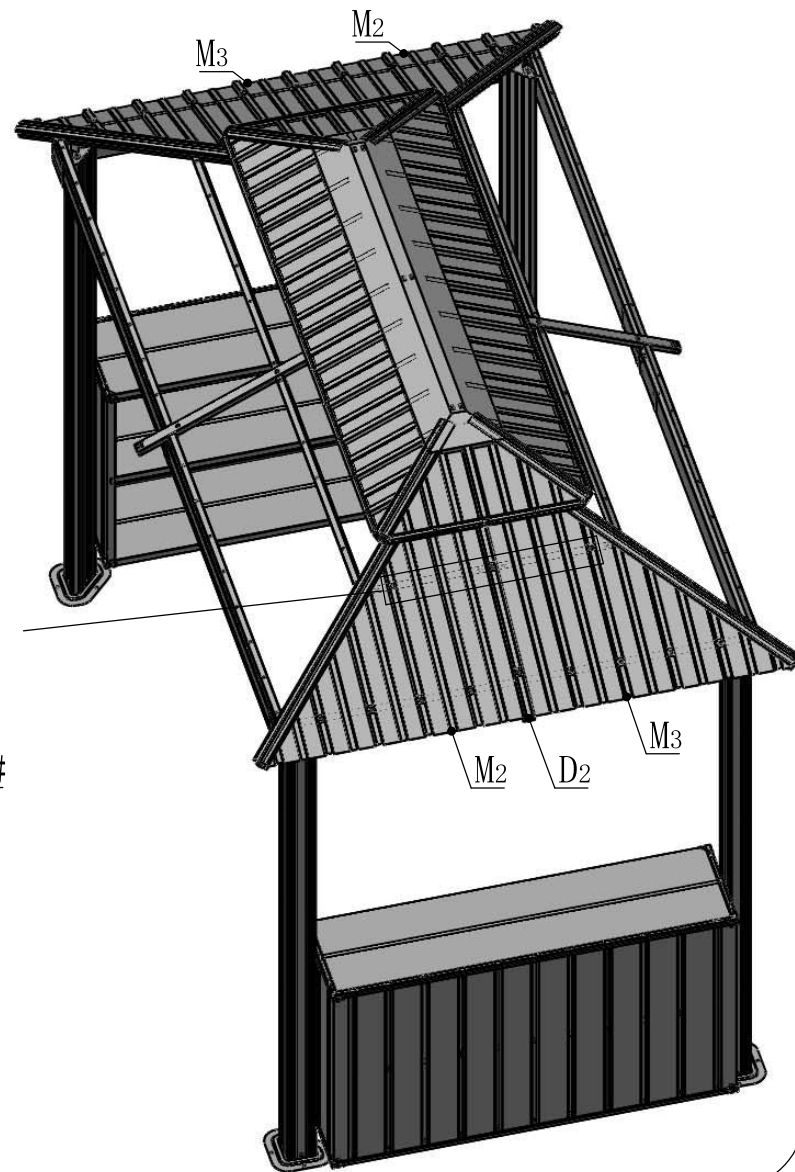
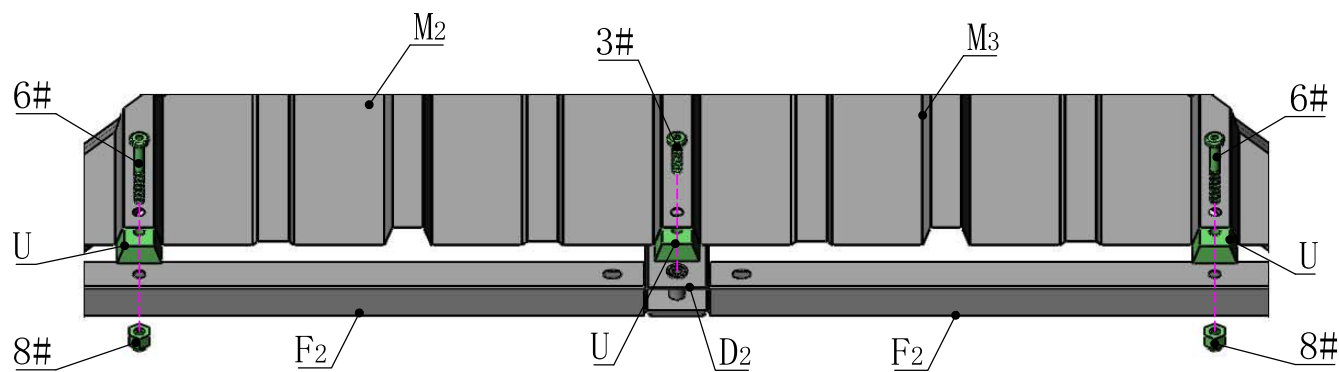


S13

21# 1X



AA 1X



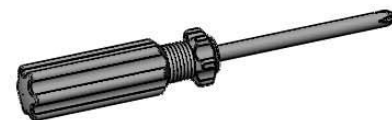


J₁ 2X

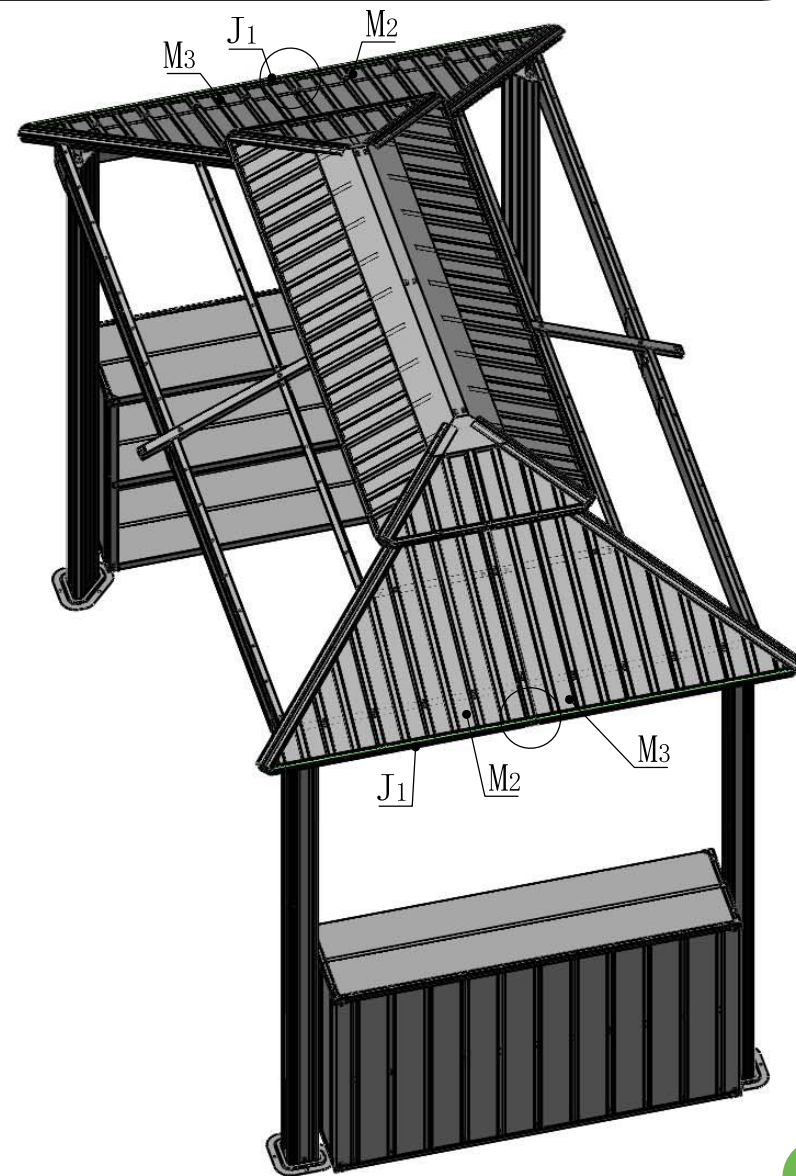
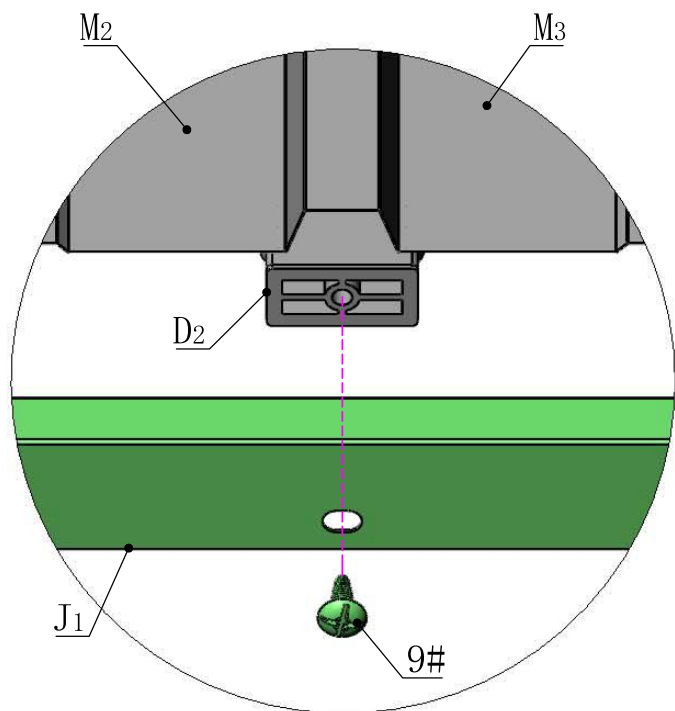


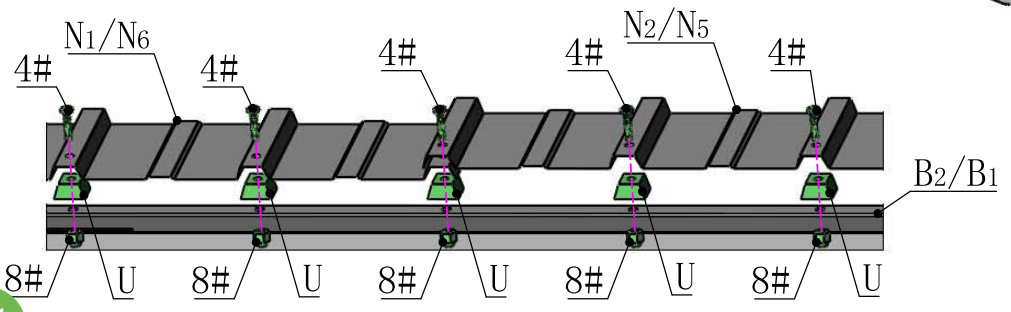
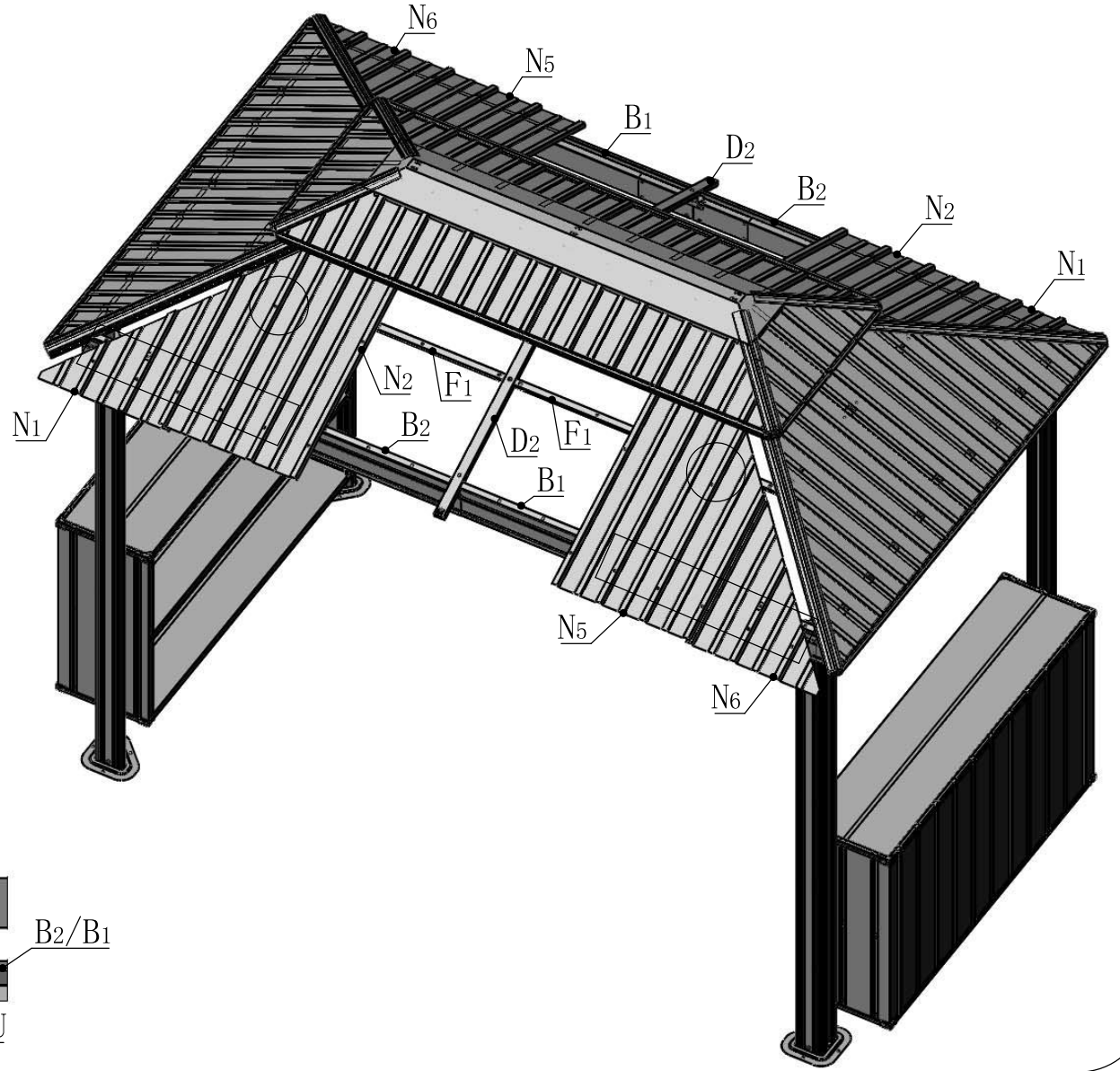
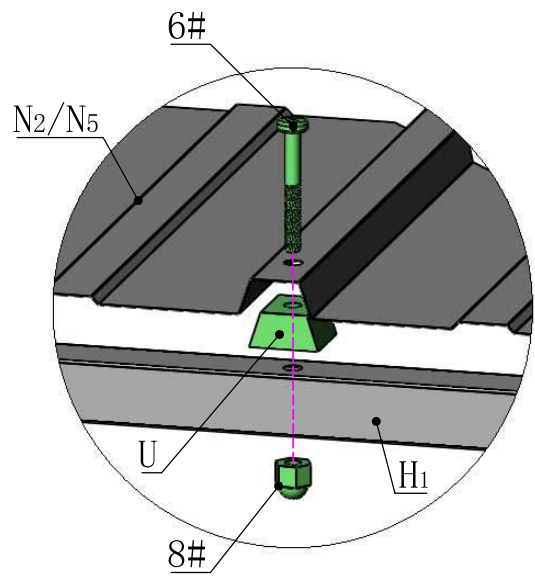
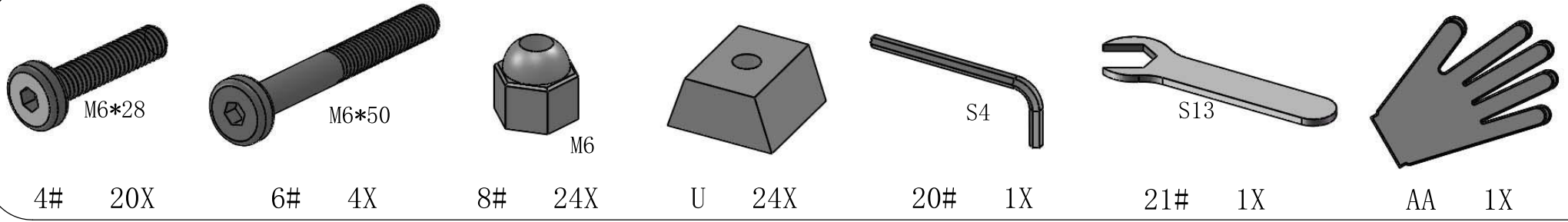
ST6. 3*15

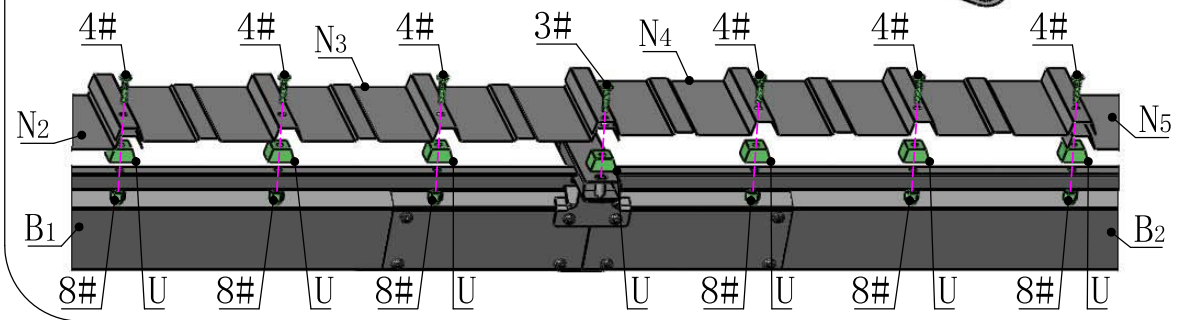
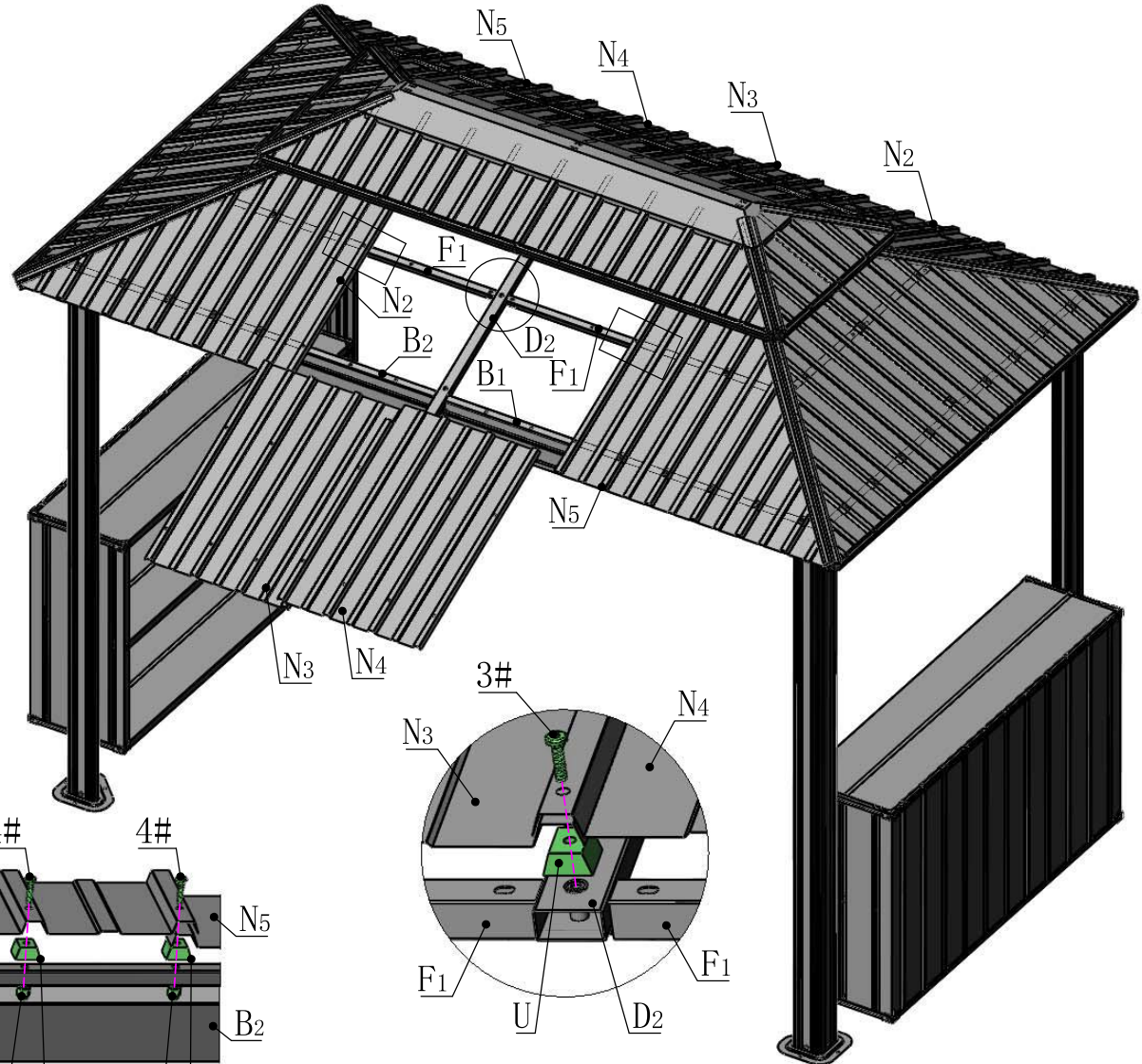
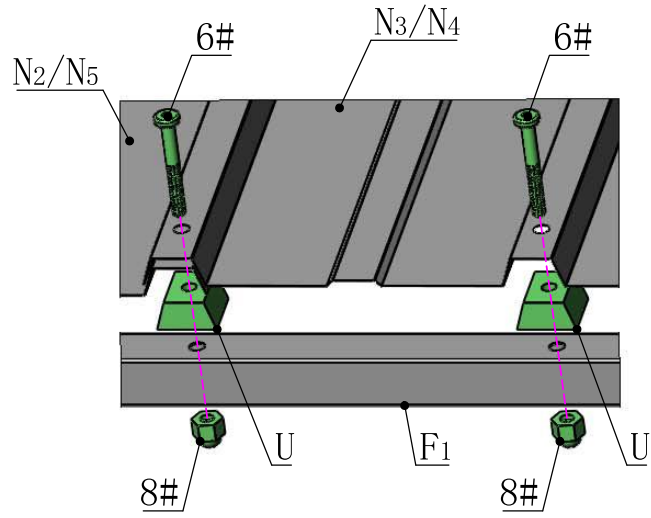
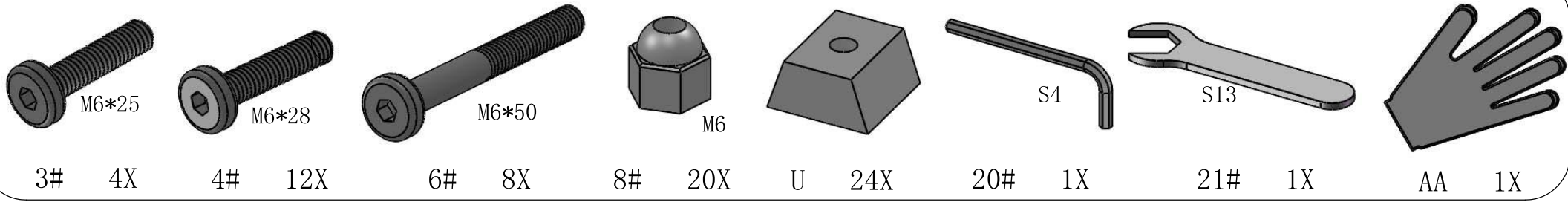
9# 2X



22# 1X





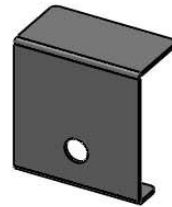




J₂ 2X



J₃ 2X

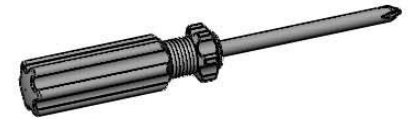


T₄ 2X

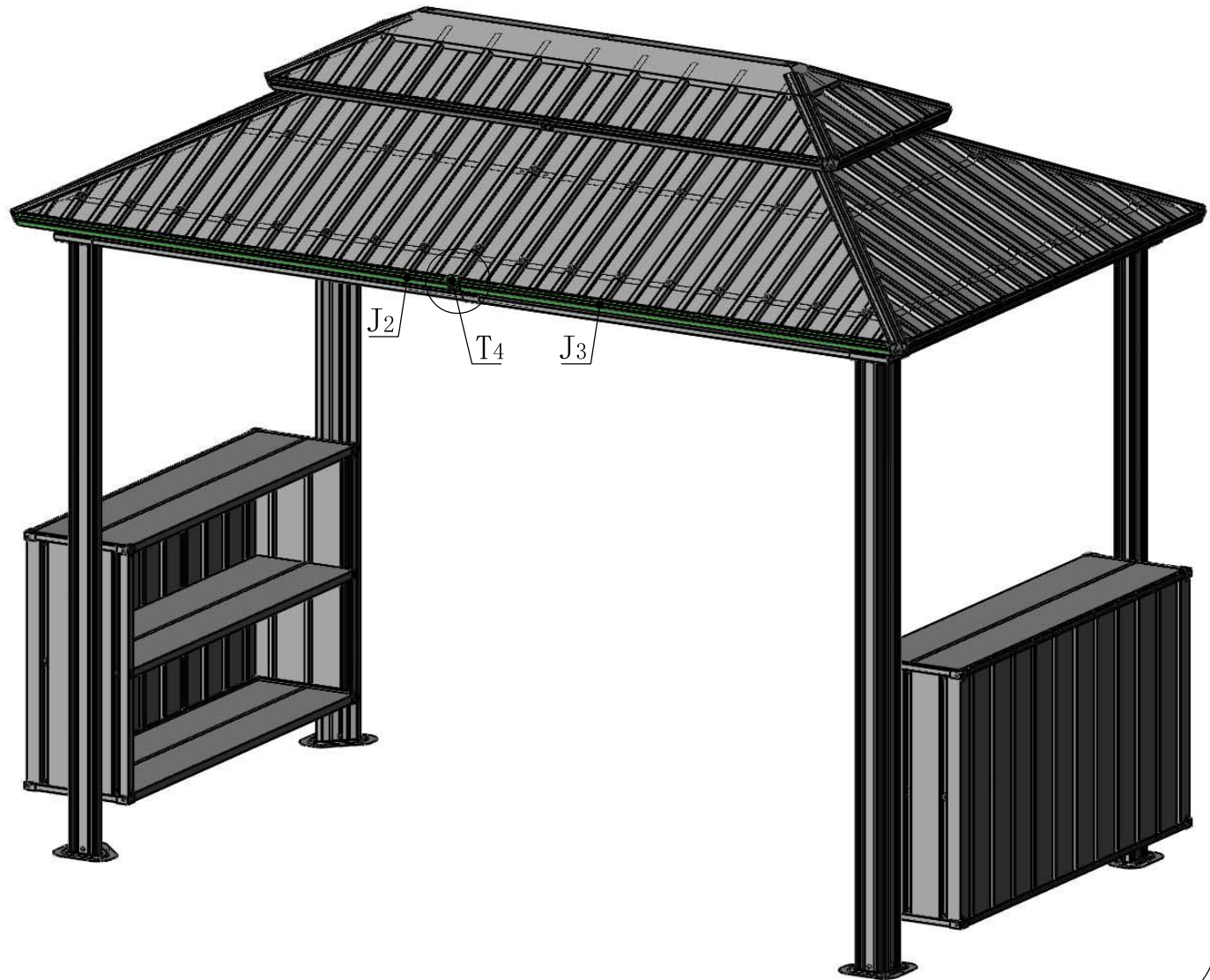
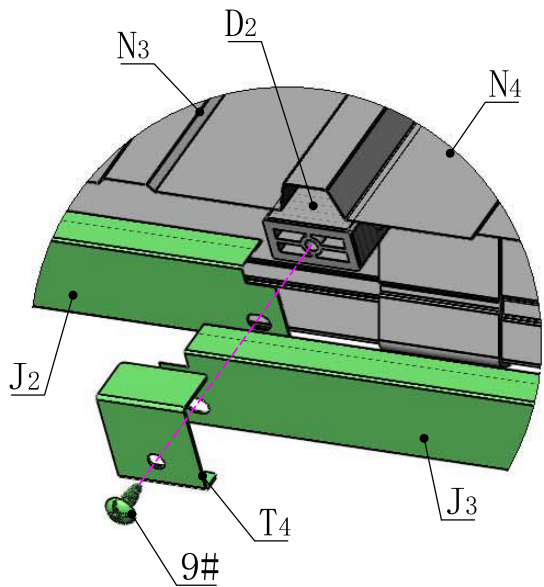


9# 2X

ST6. 3*15



22# 1X



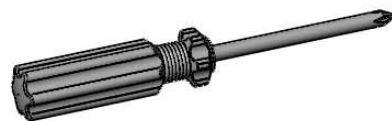


T3 4X

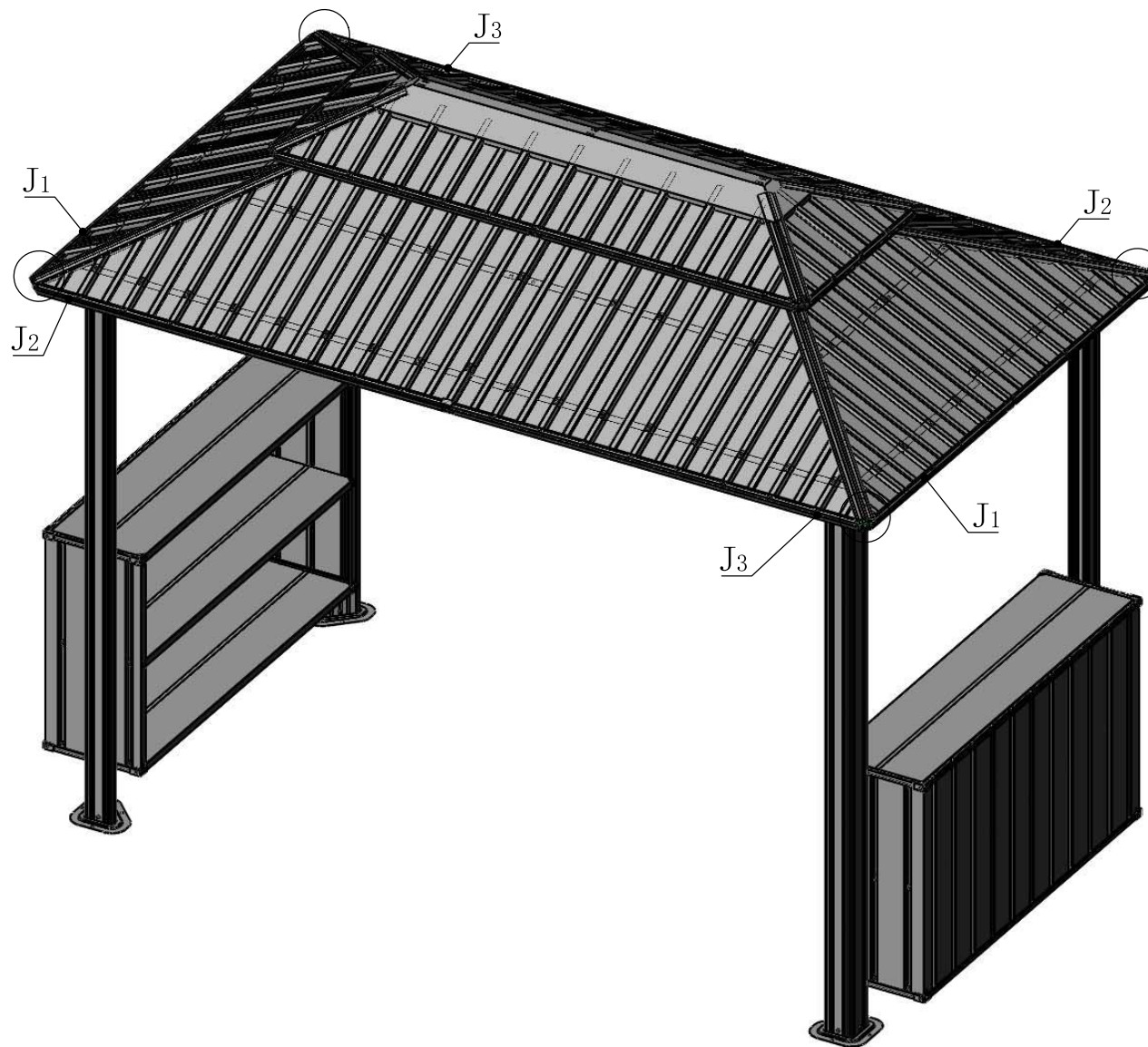
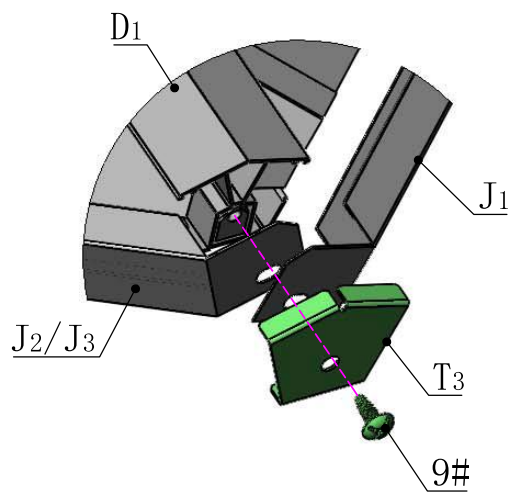


9# 4X

ST6.3*15



22# 1X



Care and Cleaning

Wash frame parts and fabric with mild soap and water, rinse thoroughly.

Dry frame completely and allow the fabric to drip dry.

Do not use bleach, acid, or other solvents on the fabric or frame parts.

Please inspect and tighten all bolts or fasteners on a regular basis to ensure proper performance and safety of your gazebo.

Warranty

Frames

Frames constructions are warranted to be free from defects in material and workmanship for 1 year from item purchased. Damage to frame from negligence won't be covered by this warranty.

Netting

Netting are warranted to be free from defects in material and workmanship for 1 year from item purchased. Damage from exposure to chemicals (including but not only oils ,spills, fluids) won't be covered by this warranty.

Bolts & nuts

Bolts and nuts are warranted to be free from defects in material and workmanship for 1 year from item purchased. Damage from exposure to chemicals (including not only oils ,spills, fluids) won't be covered by this warranty.

Warranty Limitation

This warranty is for the original purchase order only. (Order number required). This warranty is non-transferable. Domi outdoor living is responsible for the free replacement part including shipping charges for the 1 year warranty.

Warranty Exclusion

This warranty does not cover products subject to negligence, abuse usage, inappropriate installation. Domi outdoor living reserves the right to explain warranty exclusions. When the replacement item is applied, the 1 year warranty automatically expires. Please feel free to contact us for applying warranty.



RESORT COMFORT IN YOUR
OWN BACKYARD

Support:



Business cooperation contact email:

marketing@domioutdoorliving.com

After-sales contact email:

service@domioutdoorliving.com

Please tell us your order ID when contact.

Attach photos of damaged part for instant reply.