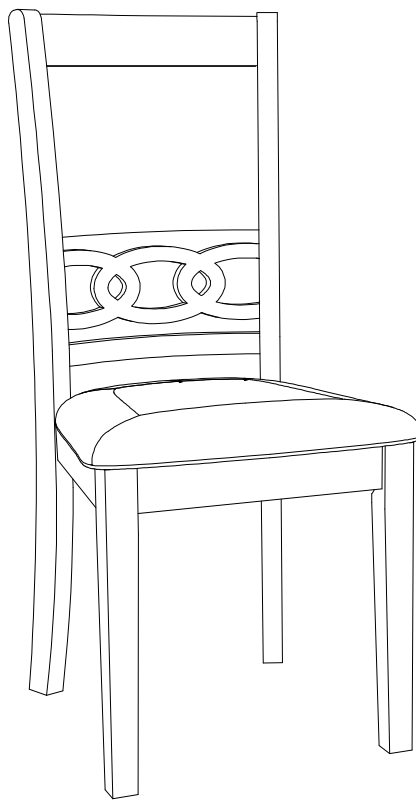


# POUNDEX

## ASSEMBLY INSTRUCTIONS

ITEM NO. F1812/F1813

DINING CHAIR

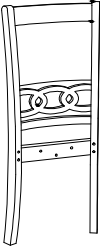

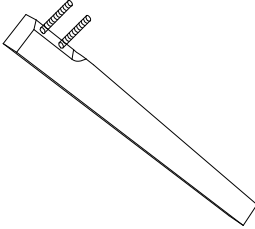


This page lists all the contents included in the Box. Please take time to identify the hardware as well as the individual components to this product. As you unpack and prepare for assembly, place the contents on a carpeted or padded area to protect them from damage.

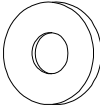

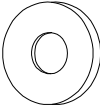


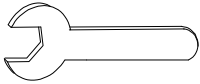


### Cleaning & Care

Treat the surface with care, clean it with a dry or damp soft cloth.  
Do not use abrasive cleaners. Hardware may be loosen over time.  
Periodically check that all connections are tight.  
A Phillips screwdriver is necessary for assembly.

# CHAIR PART LIST

A. Back Legs	B. Seat Frames	C. Front Legs
		
QTY: 1 PC	QTY: 1 PC	QTY: 2 PCS

# CHAIR HARDWARE LIST

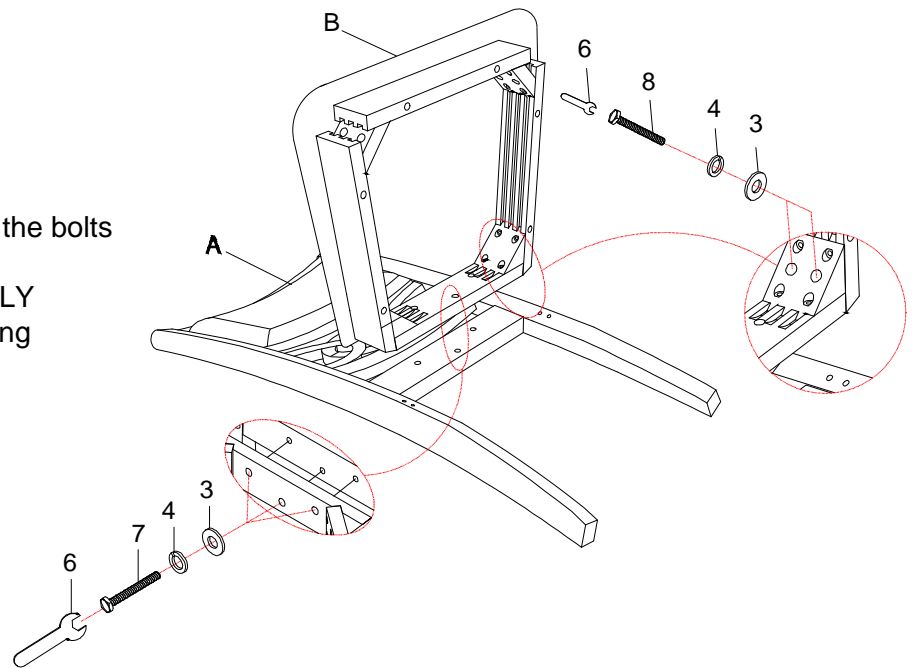
1. FLAT WASHERS	2. SPRING WASHERS	3. FLAT WASHERS	4. SPRING WASHERS
			
SIZE: 5/16" DIA	SIZE: 5/16" DIA	SIZE: 1/4" DIA	SIZE: 1/4" DIA
QTY: 4 PCS	QTY: 4 PCS	QTY: 7 PCS	QTY: 7 PCS
5. NUTS	6. ALLEN WRENCH	7. SHORT BOLTS	8. LONG BOLTS
			
SIZE: 5/16" DIA	SIZE: 5/16" DIA	SIZE: 1/4" x 1 3/4"	SIZE: 1/4" x 3"
QTY: 4 PCS	QTY: 1 PC	QTY: 3 PCS	QTY: 4 PCS

# CHAIR ASSEMBLY INSTRUCTIONS

## STEP 1

Put the Back Leg (A) and the Seat Frame (B) upside down on the soft and smooth surface  
Then insert Long Bolts (8), Short Bolts (7), Spring Washer (4), and Flat Washers (3) into the  
predrilled holes of each corner, by using Allen Wrench(6)

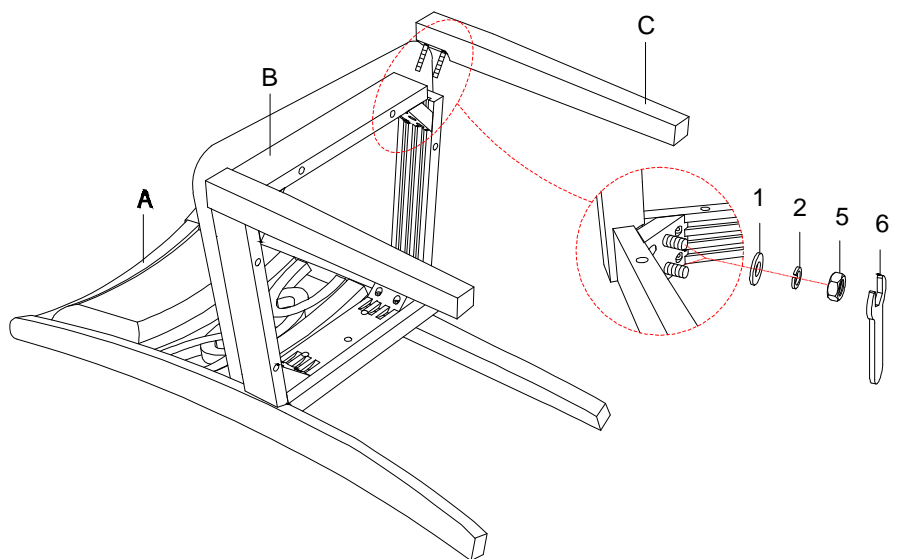
Take the Allen wrench, and turn the bolts  
until the legs are secure.  
**DO NOT TIGHTEN COMPLETELY**  
Stop when you feel you are adding  
force to tighten the bolts.



## STEP 2

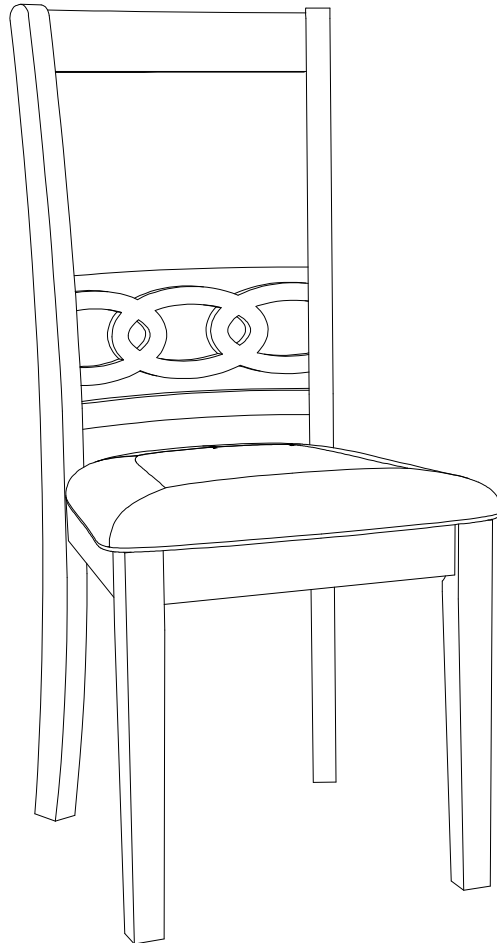
Attach the Front Legs (C) to the Seat Frame (B) by using Nuts (5), Spring Washers (2), and Flat Washers (1) with Allen Key(6)

**Note:**  
The Seat Frame (B) has  
two screw holes on each  
side, which are used for  
attaching the seat. These  
holes are wider on the  
bottom and narrower on  
the top. Ensure the wider  
holes face towards you.



# CHAIR ASSEMBLY INSTRUCTIONS

## STEP 3



The Dining Chair is now ready for use.

Repeat Steps 1 to 3 to assemble the other chairs.

Printed in Vietnam