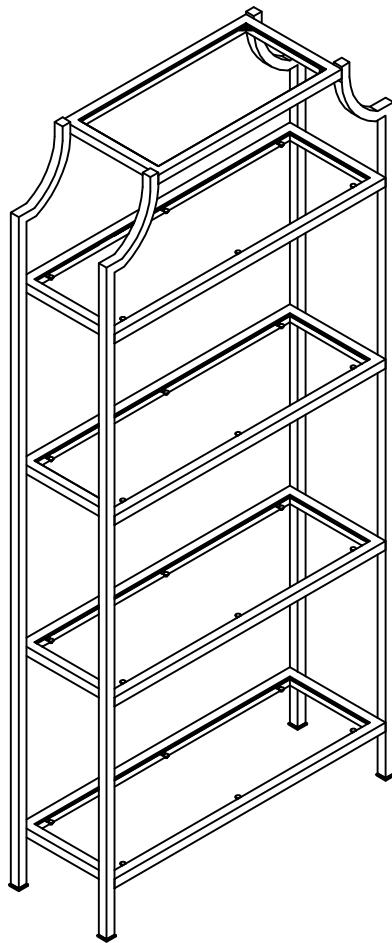


Glass Shelving Unit Gold



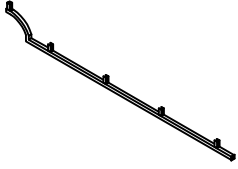
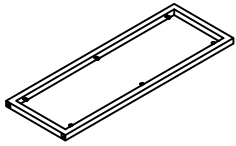
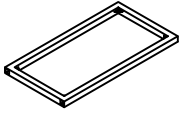
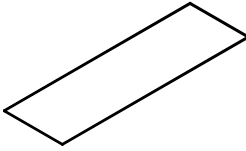
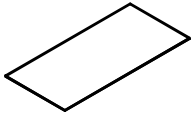
Congratulations! You have purchased a stylish piece of us. We strived to provide fine furniture products, built with quality materials and hand finished details. Please carefully follow the assembly instructions to ensure your furniture is assembled correctly to provide long lasting enjoyment.

Our products are warranted against defects in material and workmanship for a period of 90 days beginning from the date of sale .

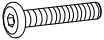


Should you experience any damaged, defective, or missing parts, or need help with assembly, please call us directly before contacting the retailer.

Care: Use a soft clean cloth that will not scratch the surface when dusting. Use of furniture polish is not necessary. Should you choose to use polishes, test in an inconspicuous area first. Use of solvents of any kind may damage your furniture's finish. To clean, simply use a soft clean cloth moistened with lukewarm water, then buff with a dry soft clean cloth.

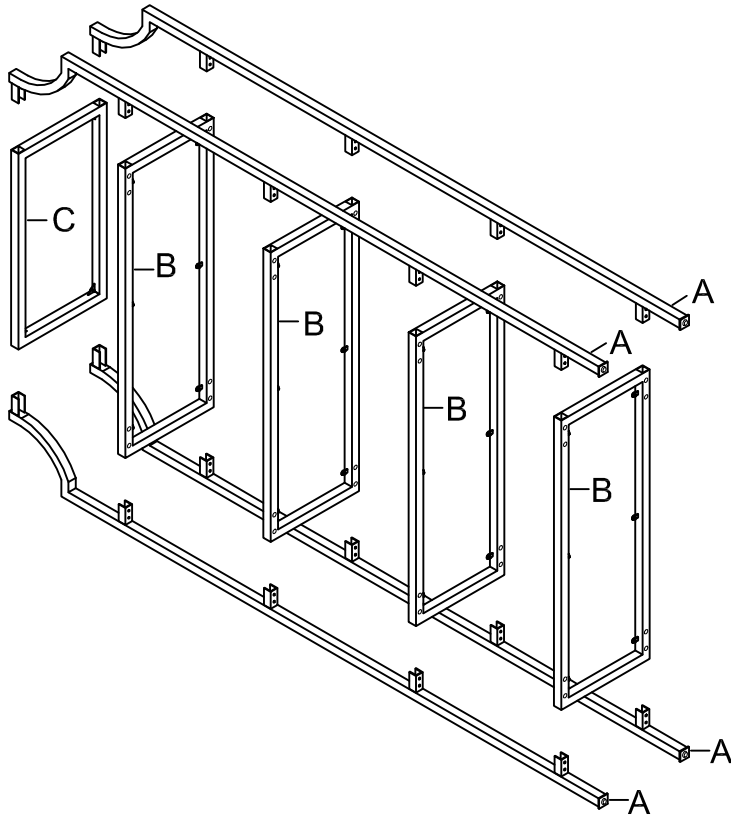
PART LIST

<p>A</p> 	<p>B</p> 	<p>C</p> 	<p>D</p> 	<p>E</p> 
<p>Leg 4 pcs</p>	<p>Shelf Frame 4 pcs</p>	<p>Top Shelf Frame 1 pc</p>	<p>Glass Shelf 4 pcs</p>	<p>Top Glass Shelf 1 pc</p>

HARDWARE LIST

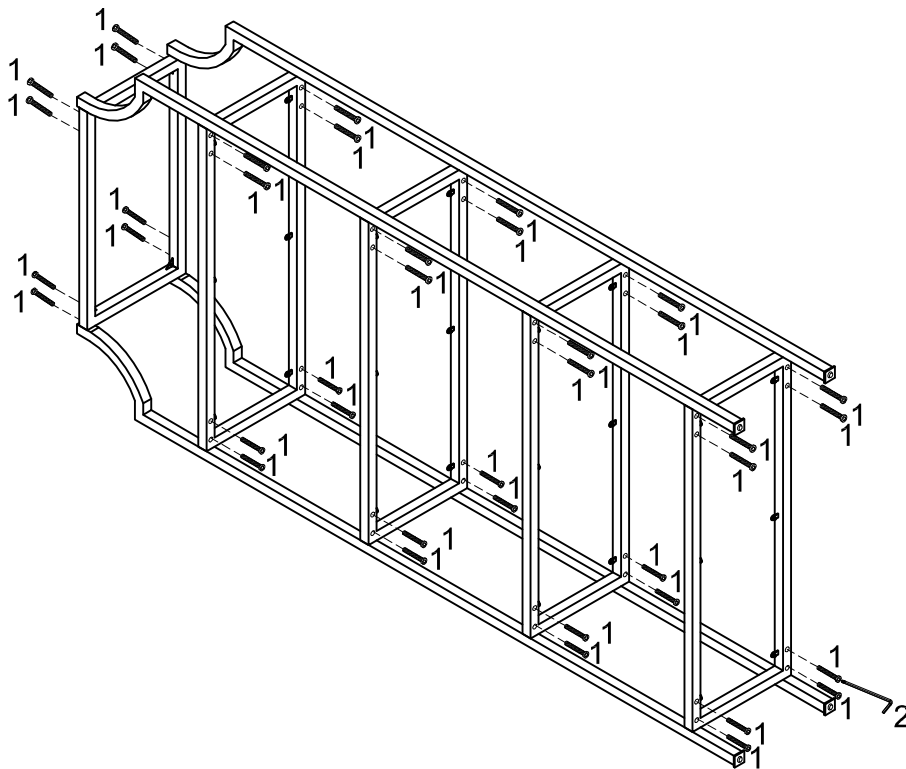
<p>1</p>  <p>1/2"xØ1/4"xD10</p>	<p>2</p> 	<p>3</p> 
<p>Bolt 42 pcs (Extra 2)</p>	<p>Allen Wrench 1 pc</p>	<p>Safety Strap Kit 1 set</p>

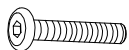
Step 1. Lay 2 legs(part#A) down on a flat surface. Insert top shelf frame(part#C) and all shelf frames(part#B) into brackets of the legs(part#A). Attach remaining 2 legs(part#A) by inserting brackets into top shelf frame(part#C) and shelf frames(part#B).



Step 2. Attach top shelf frame(part#C) and shelf frames(part#B) to the legs(part#A) by using bolts (part#1) and allen wrench(part#2). Bolts(part#1) will be inserted from the opposite direction for top shelf frame(part#C) only.

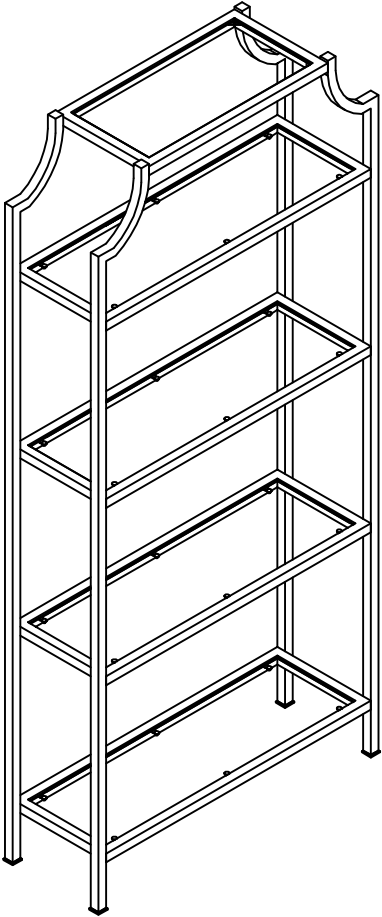
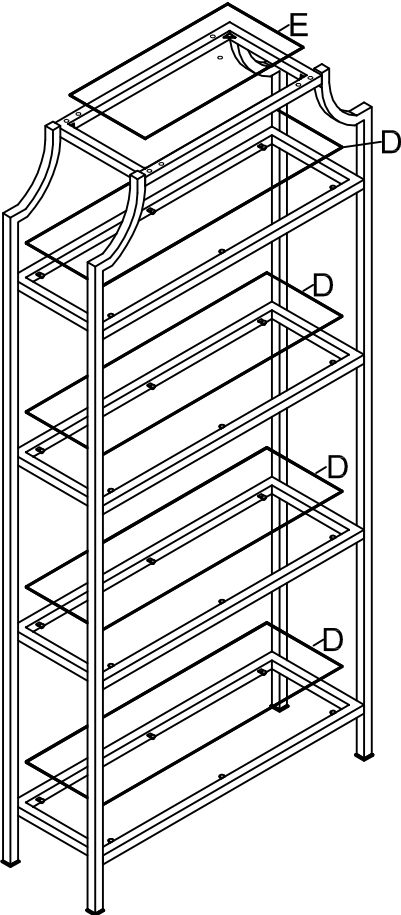
Note: Please do not fully tighten bolts until all of them are in place.




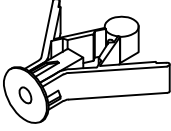
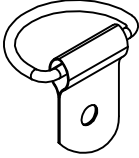

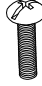

#1  x 40

#2  x 1

Step 3. Carefully turn unit upright. Install glass shelves(part#D) and top glass shelf(part#E) into the frame as shown below.



Step 4.

3 	A 	B 	C  D8*1-1/2"	D  D10*1/2"	E 
SAFETY STRAP KIT 1SET	WALL ANCHOR 1PC	HOOK 2PCS	SCREW 1PC	BOLT 1PC	SAFETY WALL STRAP 1PC

SAFETY WALL STRAP INSTALLATION

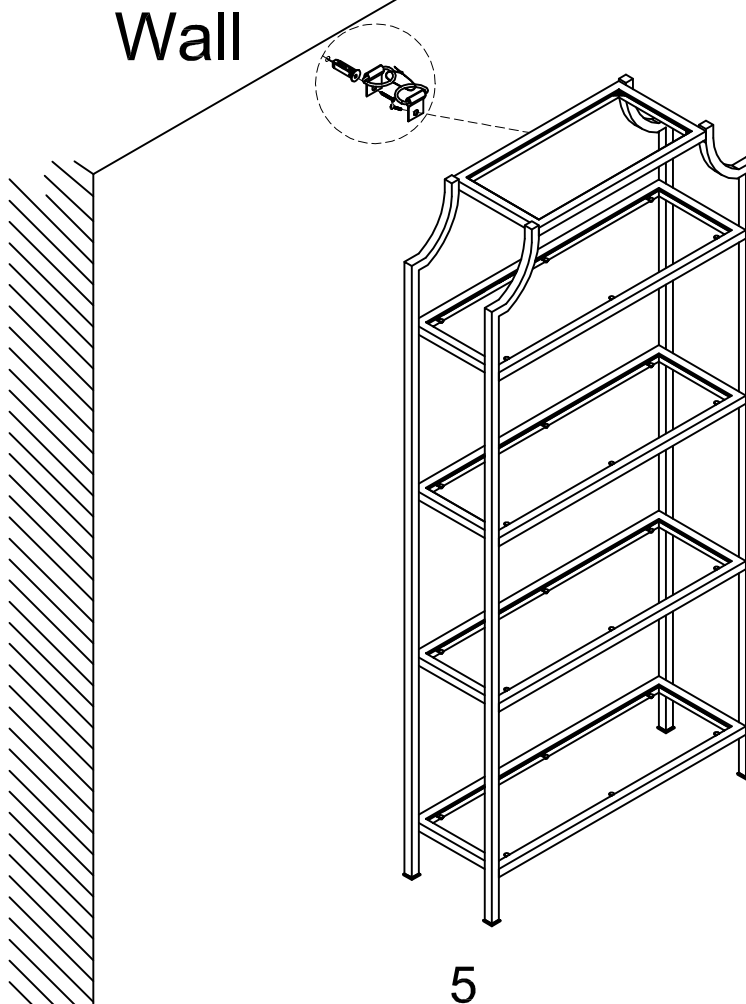
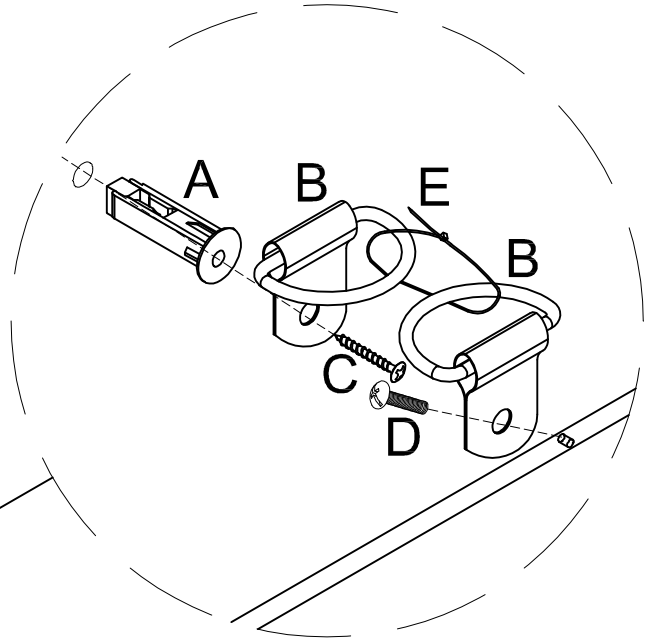
Note: It is highly recommended to install this safety strap kit to prevent tipping, damage and/or injury.

1) Insert bolt(D) through hook(B) and using a philips screwdriver, attach it to the predrilled hole in the top shelf frame(part#C) of the frame.

2) Drill a 11/32" hole in the wall where this unit will be secured. The drilled hole will be at the same height as the hole in the top shelf frame(part#C) where the hook(B) was attached. Tap wall anchor (A) into the drilled hole.

3) Insert screw(C) through hook(B) into the wall anchor(A) using a philips screwdriver.

4) Insert safety wall strap(E) through both hooks(B) and tighten to secure.



Limited Manufacturers Warranty

Our Products are warranted against defects in material and workmanship for a period of 90 days beginning from the date of sale .

Should you experience any damaged,defective,or missing parts,or need help with assembly, please call us directly before contacting the retailer

Our customer service agents are available or for support online.