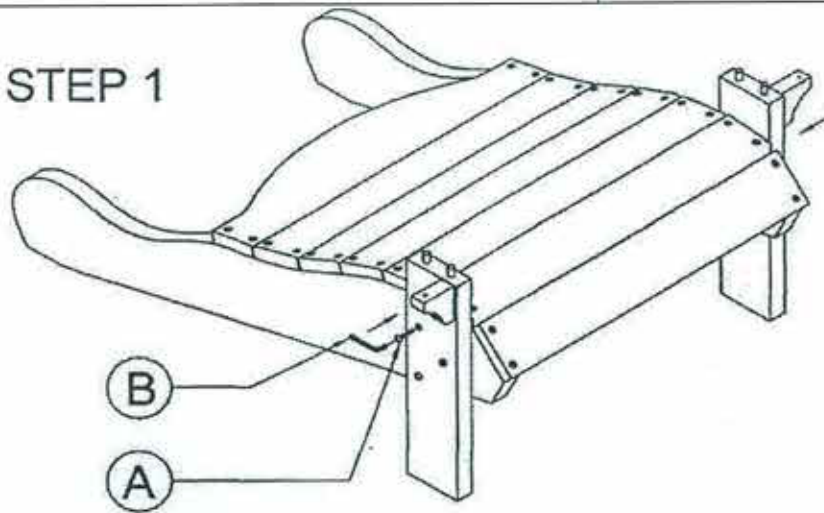
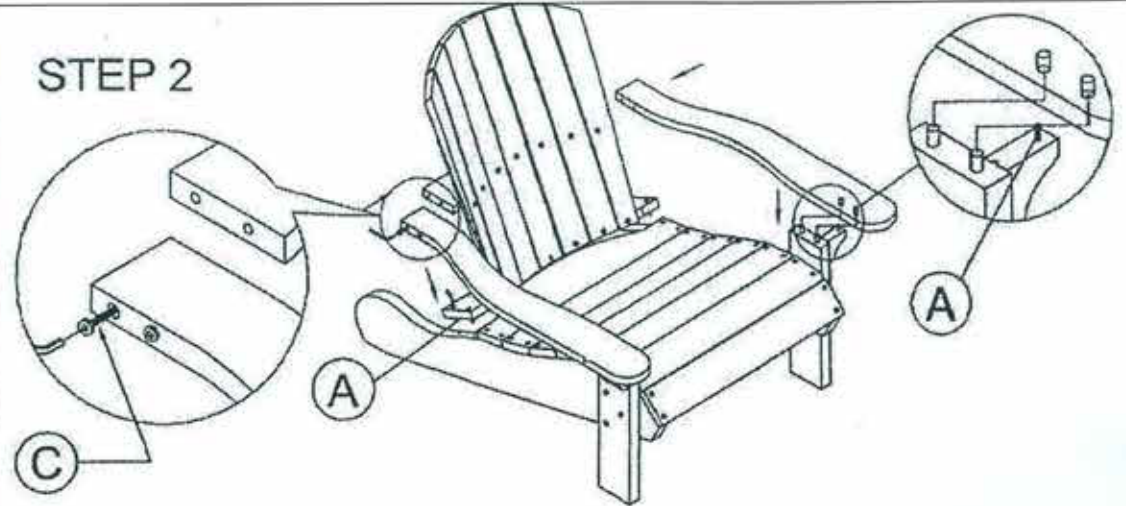


## ASSEMBLY INSTRUCTIONS FOR (ADIRONDACK CHAIR W/BUILD-IN OTTOMAN)

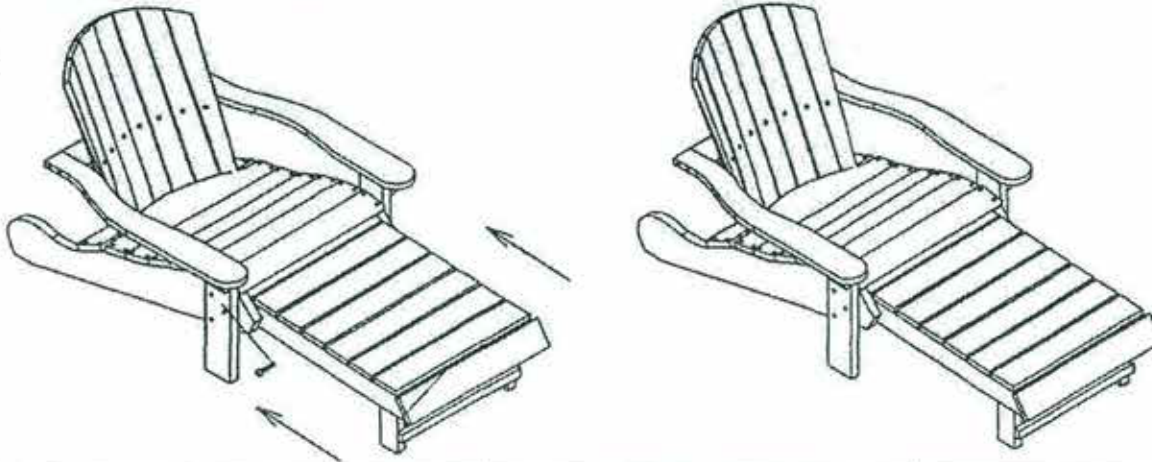
**STEP 1**



**STEP 2**



**STEP 3**



**TIPS/Steps for Easy Set-Up:**

Assemble Chairs on their Sides on a soft surface area to protect.

**Step # 1.** Attach upright Arm units with (3 screws) on each side.

**Step # 2.** Set seat unit upright and then attach the back unit, but do NOT tighten the screws all the way until after next step

**Step # 2A.** Attach arm units and align first with back unit before tightening screws.

**Step # 2B.** Do not miss the last screws under each arm unit...

Never Over-Tighten any screws with key wrench.

Use care in pulling the Ottoman unit and out.

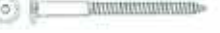
Tighten legs to ottoman if too loose


Finally, Please Oil your new Adirondack Chair With a Linseed Oil or Hardwood oil. Do not oil in Direct Sunlight and allow to dry for 24 hours in the Shade. Enjoy!

**PART LIST**

A  Screw M7 x 40 [1.5"] 12 pcs

B  Key Wrench (1 pcs)

C  Screw M7 x 90 [3.5"] 4 pcs

 Portable Drill Bit