

# ASSEMBLY INSTRUCTION

## TABLE






### IMPORTANT SAFETY CONSTRUCTION

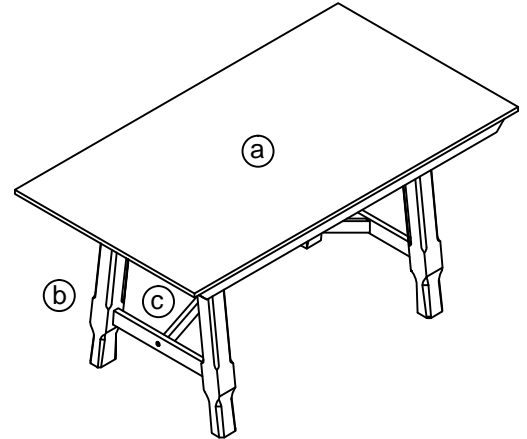
Thanks for purchasing this quality product. Be sure to check all packing material carefully for small parts that may have come loose inside the carton during shipment. Please read all instruction carefully before assembling. For your safety, assembly by two people is recommended.

### PARTS INCLUDED

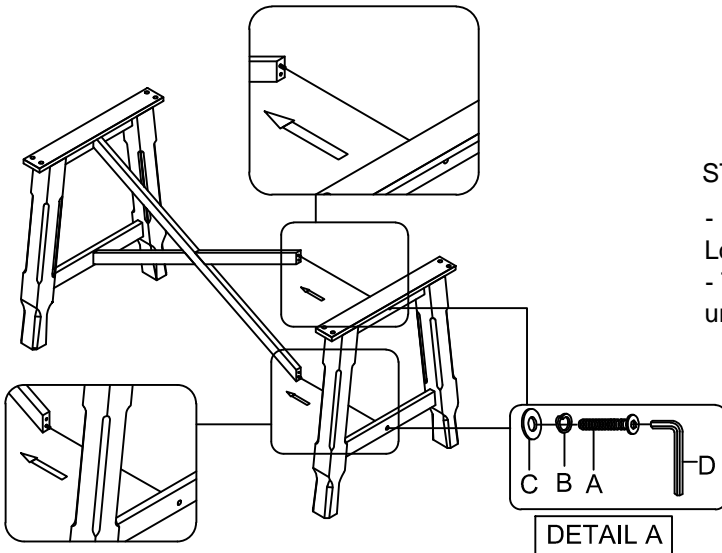
- (1) Table Top (a)
- (2) Table Leg (b)
- (1) Stretcher Table (c)

### HARDWARE ENCLOSED

- A 12x  Ø6 x 40mm
- B 8x  Ø8 x 13mm
- C 8x  Ø8 x 19mm
- D 1x 
- E 4x  Ø18x8mm



### ASSEMBLY INSTRUCTIONS

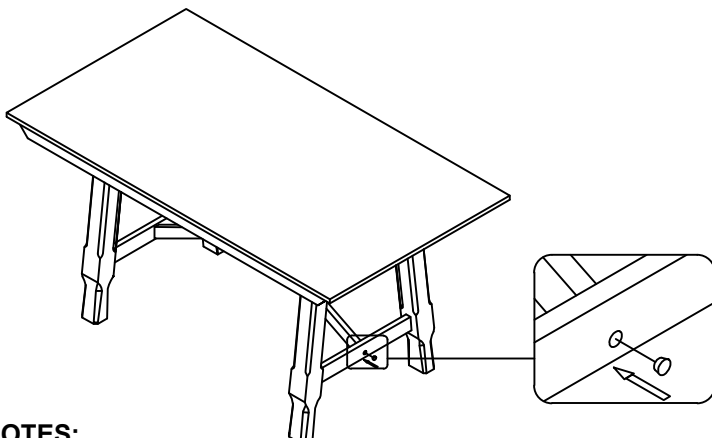
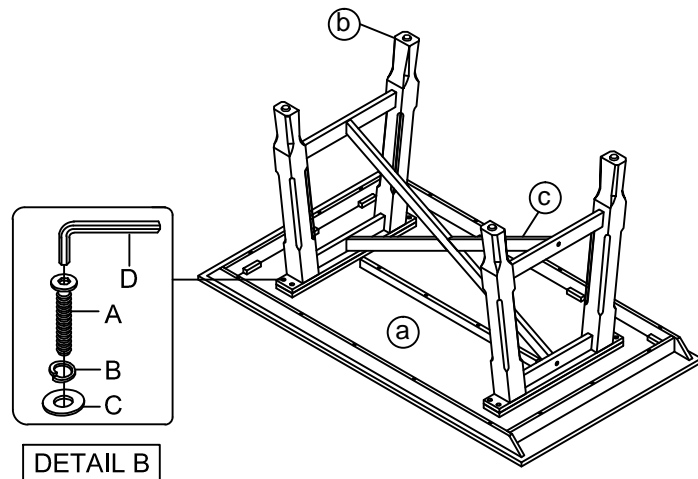


#### STEP 1:

- Insert Stretchers between the legs, using Flat Washer (C), Lock Washer (B) and bolt (A),
- Tighten screws with provided Allen Key (F) by turning clockwise until secure. (See Detail A)

#### STEP 2:

- Carefully lay Table Top upside down on a smooth flat surface to prevent scratches.
- Affix top and bottom frame to the Table Top as shown in illustration. Insert a Flat Washer (C), Lock Washer (B) and bolt (A) .
- Tighten bolts with provided Allen Key (D) by turning clockwise until secure. (See Detail B)



#### STEP 3:

- Insert Wooden Button plug (E) to top and bottom frame

### NOTES:

The use of power tools for assembly is not recommended. Power tools can damage hardware or split wood.