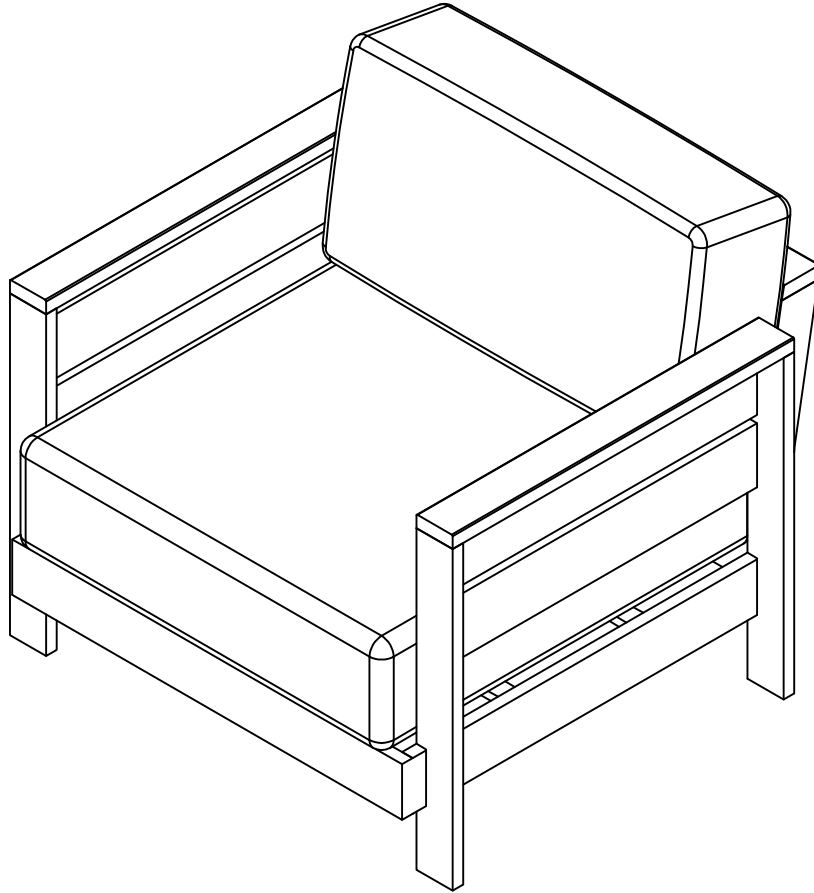


# ASSEMBLY INSTRUCTION

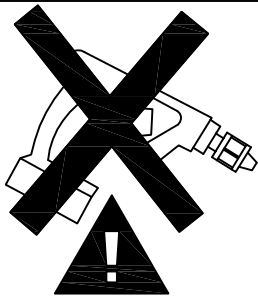
## Wood Chair

36"Lx36"Wx32"H

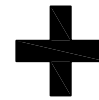
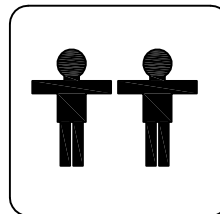


### Customer Service

If you have any questions about assembly or possible missing parts, please contact us and we will be glad to assist you.

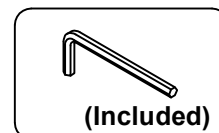


. Use of power tool to assemble this product will invalidate any claim and damage this product making it unsafe !!!  
. Please assemble on a clean soft surface to avoid damage.

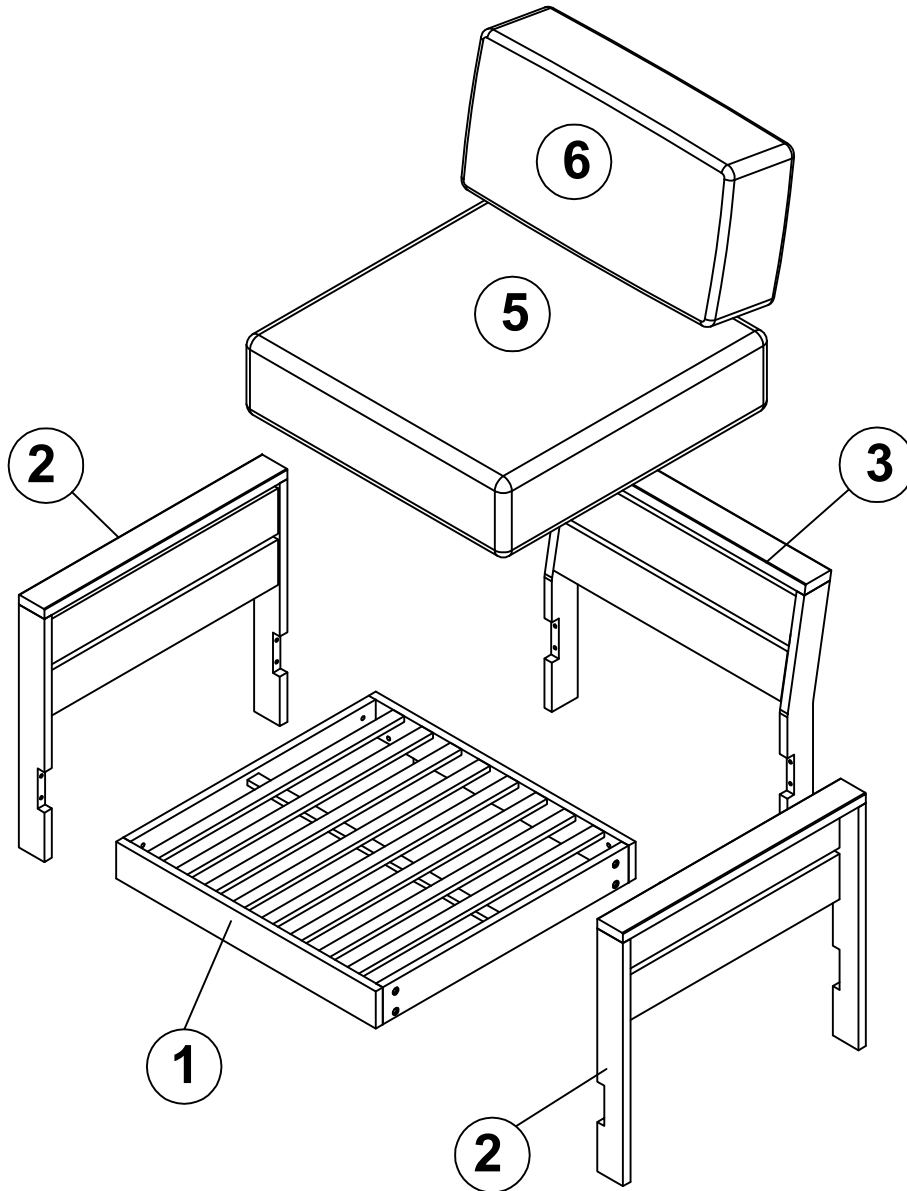


30 minutes

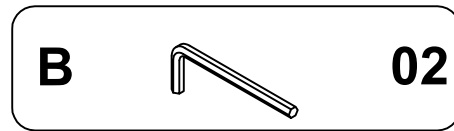
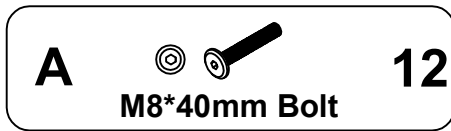
### Tools Required



# Part list - Wood Chair




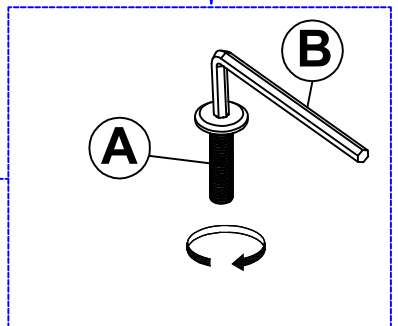
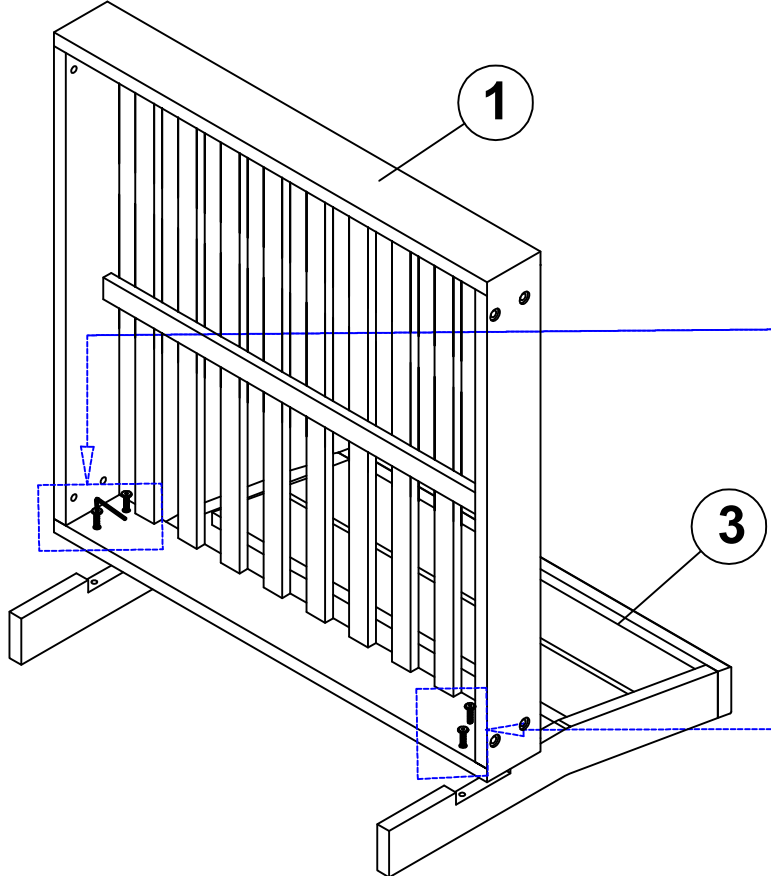
Identifying the hardware-Identify the hardware using the illustrations below



# Step 01


**A**  **04**  
M8\*40mm Bolt

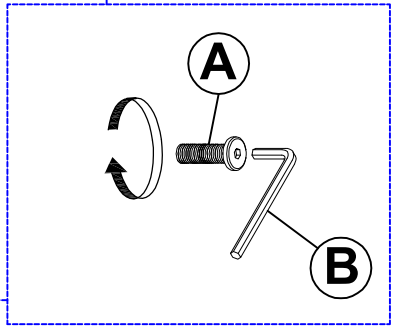
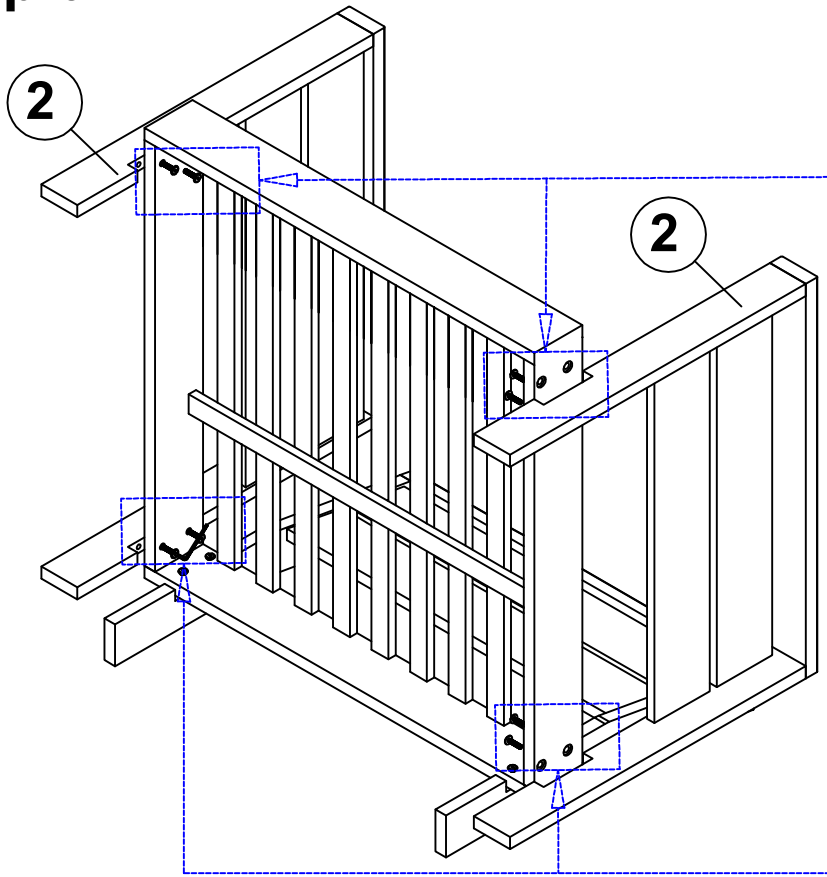
**B**  **01**



# Step 02

**A**  **08**  
M8\*40mm Bolt

**B**  **01**



# Step 03

