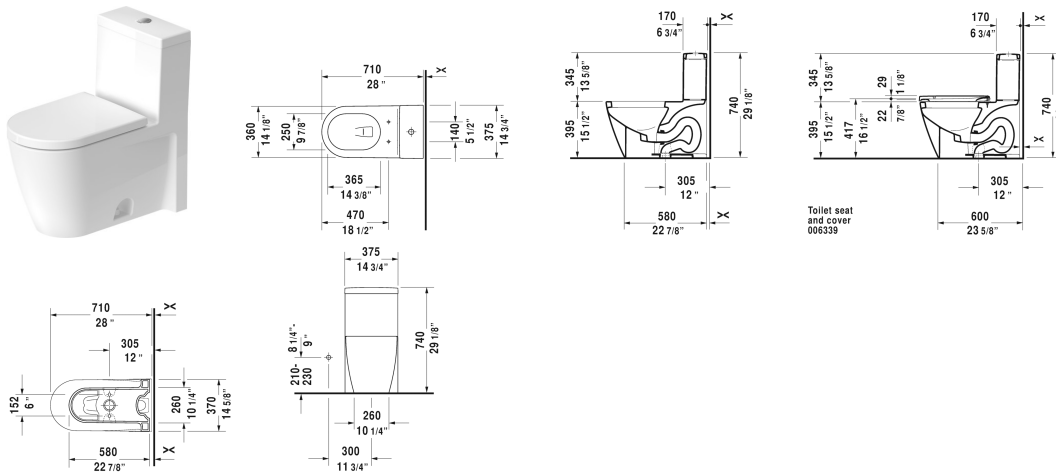


Starck 2 Toilet kit # D1654700

| < 14 3/4" Inch > |



Toilet kit	Dimension	Weight	Order number
One-Piece toilet & Toilet seat and cover			
Colors			
00 White			
Variant			
	14 3/4" x 28 1/8" Inch	130.1 lb	D1654700
Suitable products			
Toilet seat and cover elongated, hinges stainless steel, removable, with slow close,			006339
One-Piece toilet suitable for SensoWash Starck, syphonic, 12" rough-in, with single flush piston valve, top flush, vertical outlet, cUPC® listed*, 1.28 gpf, 14 3/4" x 28 1/8" Inch	14 3/4" x 28 1/8" Inch		213301

All drawings contain the necessary measurements which are subject to standard tolerances. They are stated in inch & mm and are non-binding. Exact measurements, in particular for customized installation scenarios, can only be taken from the finished ceramic piece.