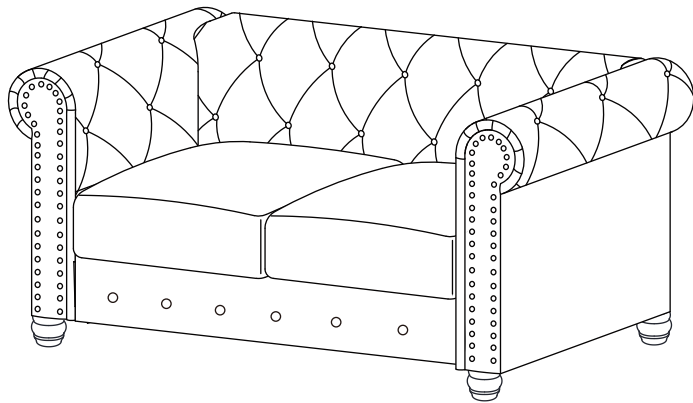
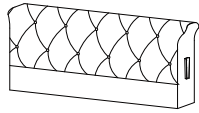
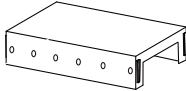

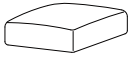
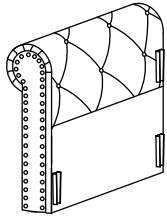
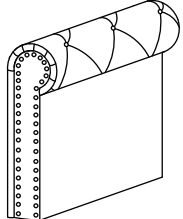


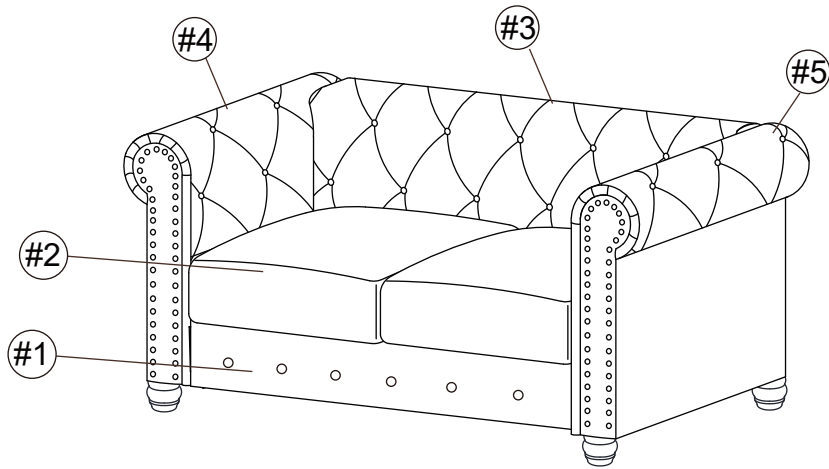
ASSEMBLY INSTRUCTIONS



LOVE SEAT is packed in 3 cases

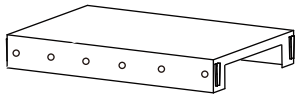
| Carton | Disignation | Part | | Hardware |
|--------|--------------|------|--|---|
| L1 | Backrest | #3 |  | |
| L2 | Seat frame | #1 |  |  #A x 4pcs |
| | Seat cushion | #2 |  | |
| ARM | Left arm | #4 |  | |
| | Right arm | #5 |  | |

ASSEMBLY INSTRUCTIONS



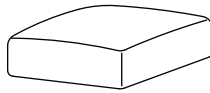
PARTS

#1 1pc



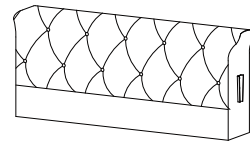
SEAT FRAME

#2 2pcs



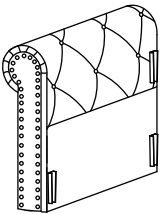
SEAT CUSHION

#3 1pc



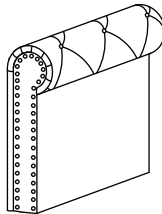
BACKREST

#4 1pc



LEFT ARM

#5 1pc



RIGHT ARM

HARDWARE

#A 4 pcs

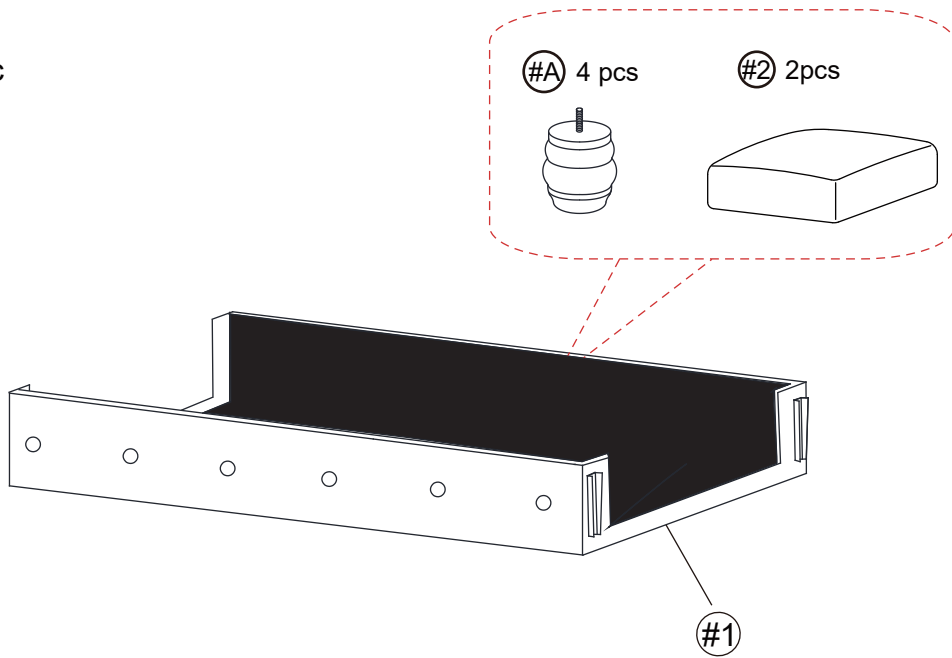


WOODEN LEG

ASSEMBLY INSTRUCTIONS

1

Part #1 x1pc

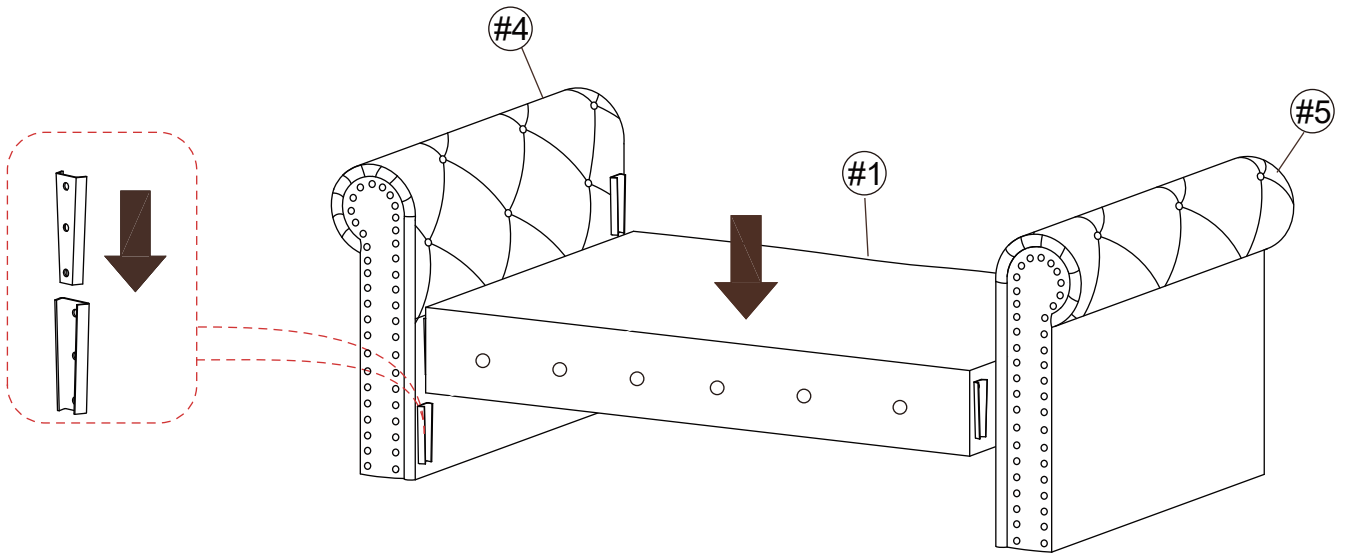


2

Part #4 x1pc

Part #5 x1pc

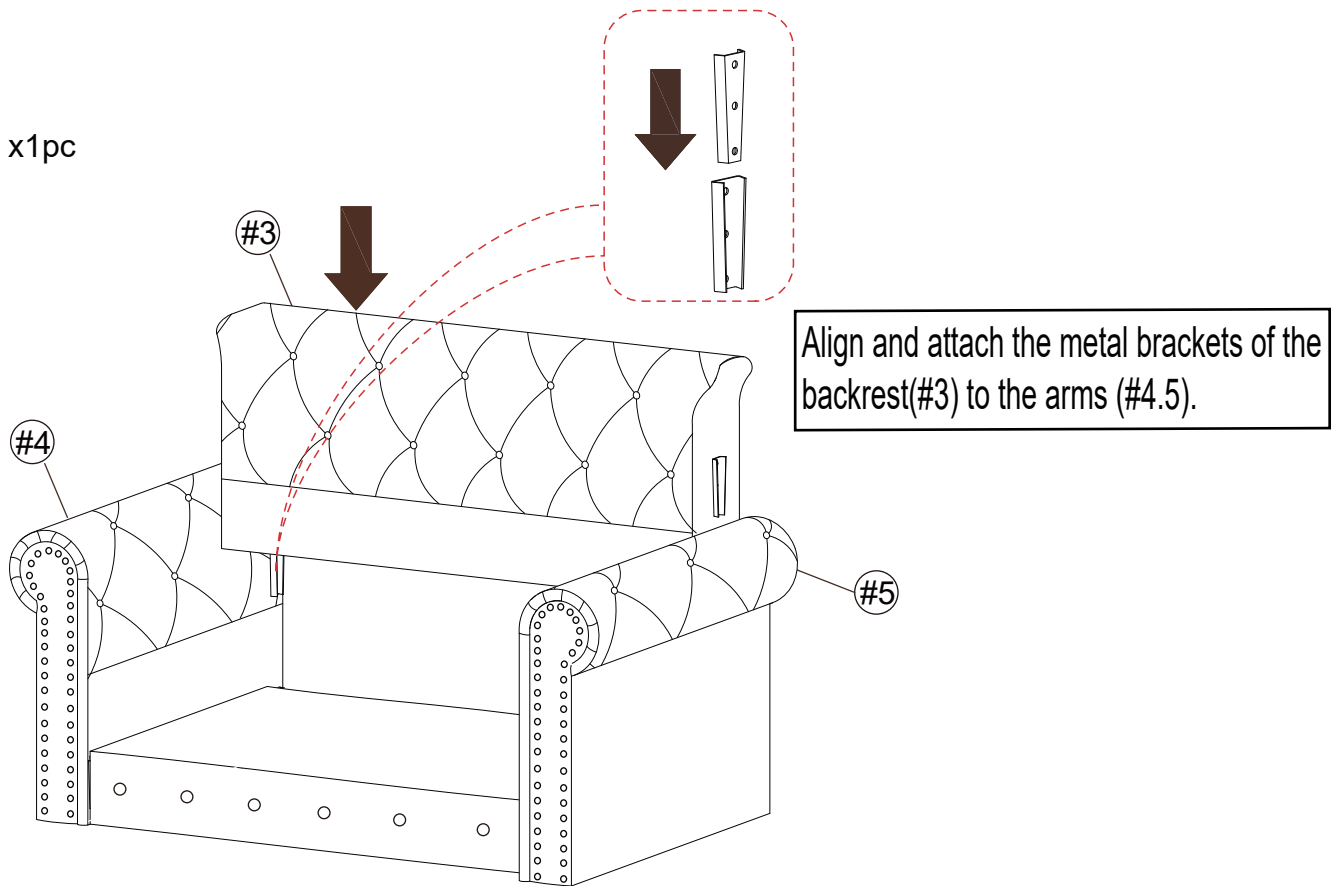
Align and attach the metal brackets of the seat (#1) to the arms (#4.5).



ASSEMBLY INSTRUCTIONS

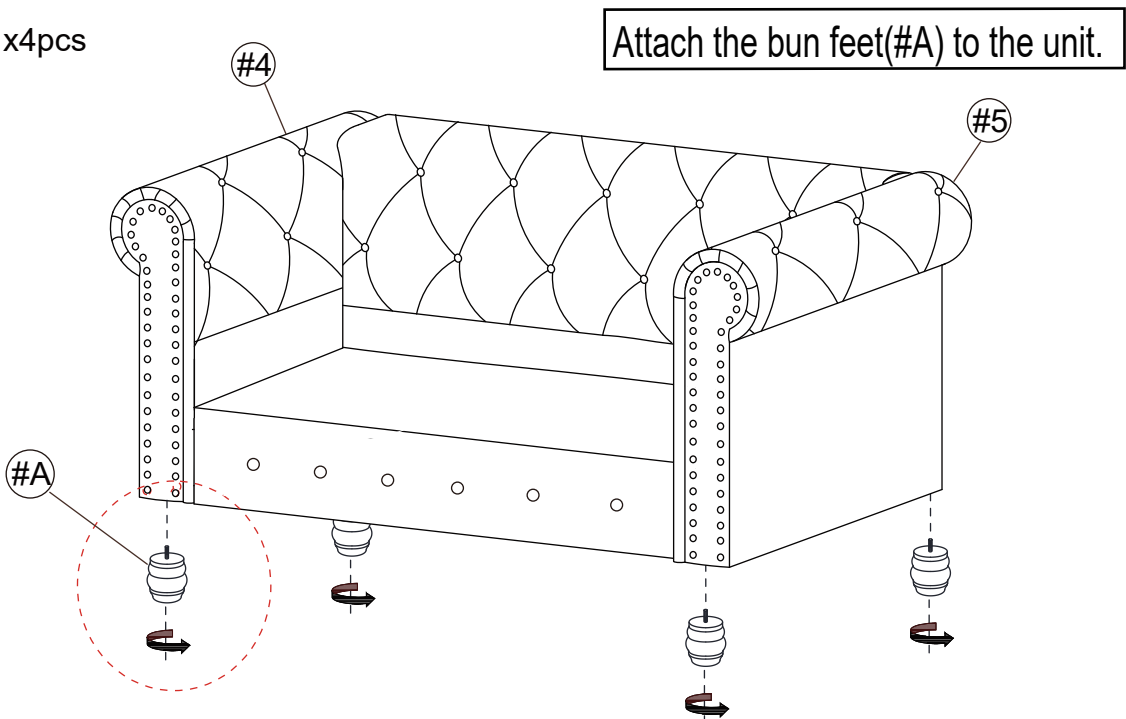
3

Part #3 x1pc



4

Hardware #A x4pcs

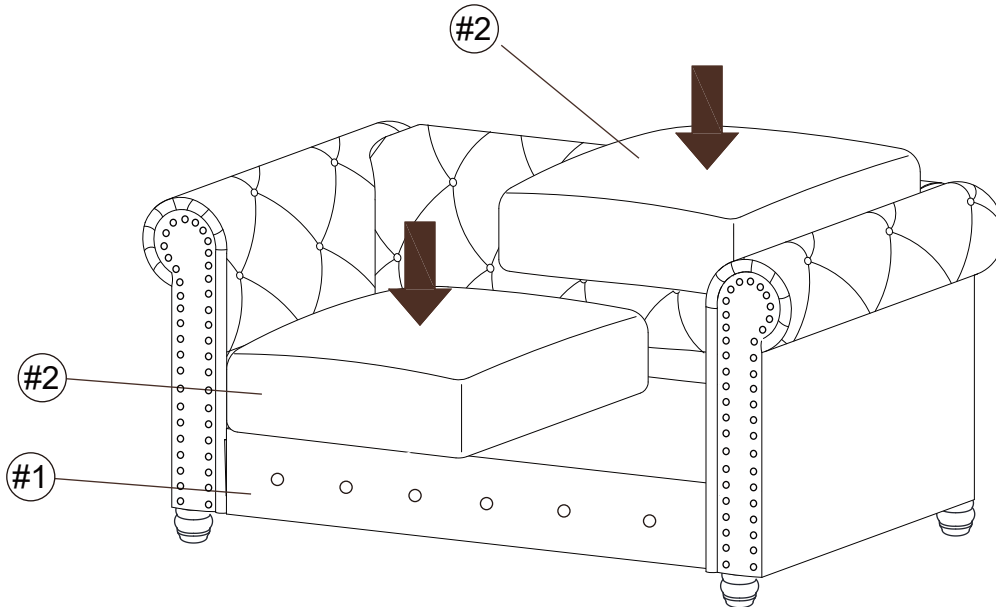


ASSEMBLY INSTRUCTIONS

5

Part (#2) x2pcs

Put the cushion(#2) on the seat(#1).



ASSEMBLY COMPLETED



Please ensure the furniture rests on an even and flat surface. If the product wobbles or feels loose, double-check all bolts and/or screws are properly tightened and secured.



Keep this handy!

Please retain this instruction manual and any order-related information for future reference.



Lift, don't drag!

To avoid damage to product please always LIFT the product when transporting or adjusting the placement.