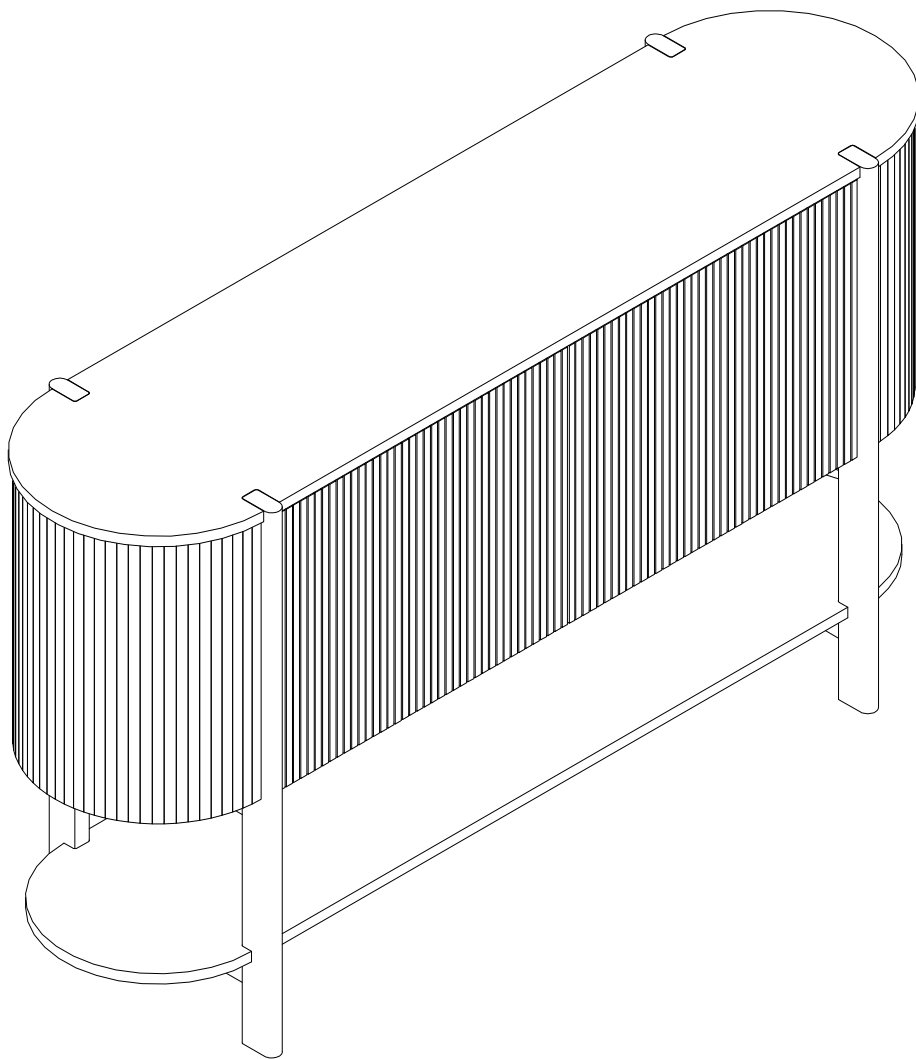


Assembly Instructions

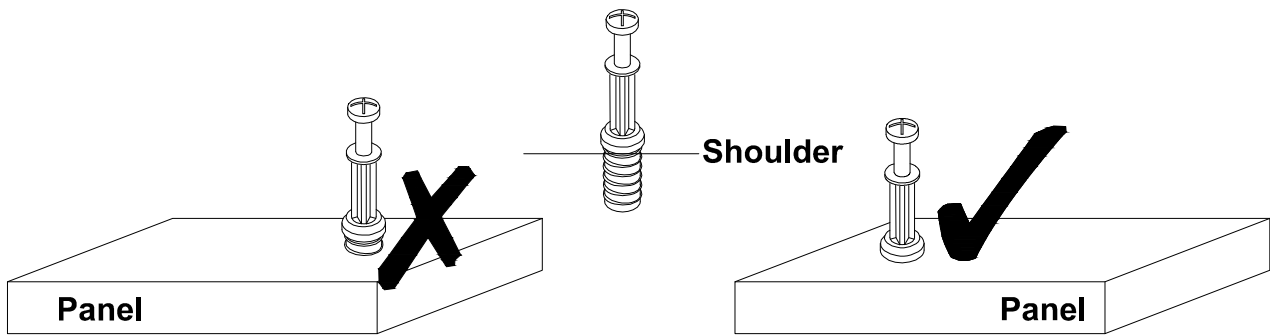


Before Assembly

Tips Before Your Start:

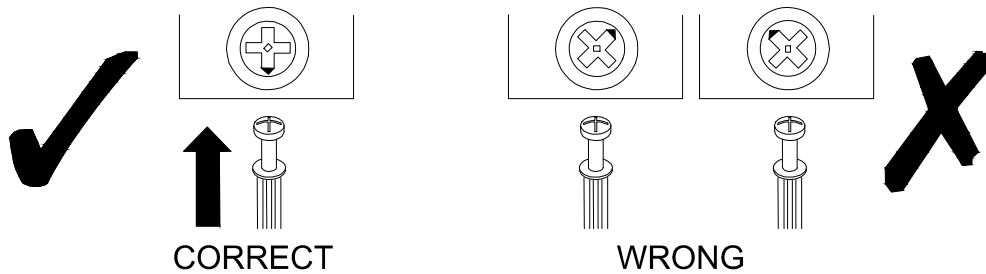
- Remove all wrapping material, including staples & packing straps before you start to assemble.
- DO NOT tighten all screws and bolts until the assembly is completely assembled.
- Keep all hardware parts out of reach of children.

QUICKFIT



Tighten quickfit until shoulder is flush with panel. Do not overtighten or undertighten.

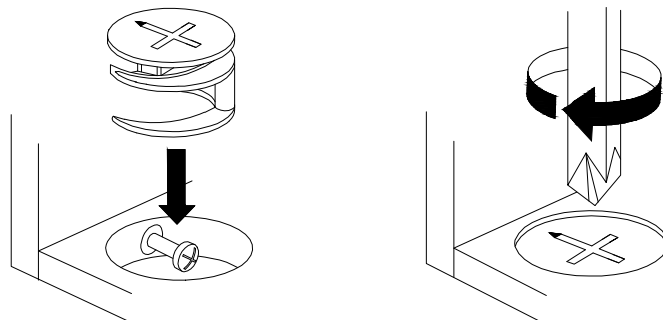
CAM LOCK



When fitting a cam lock, ensure the starting position is correct before inserting the connecting QUI CKFIT




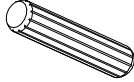
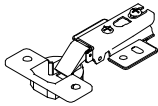
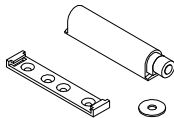
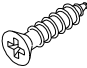
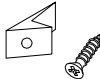

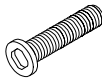
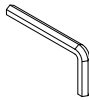
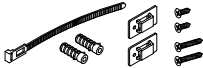
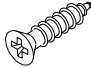

Quickfit head should be in the centre of the cam lock when the two panels are joined.

Cam lock should be inserted before quickfit.

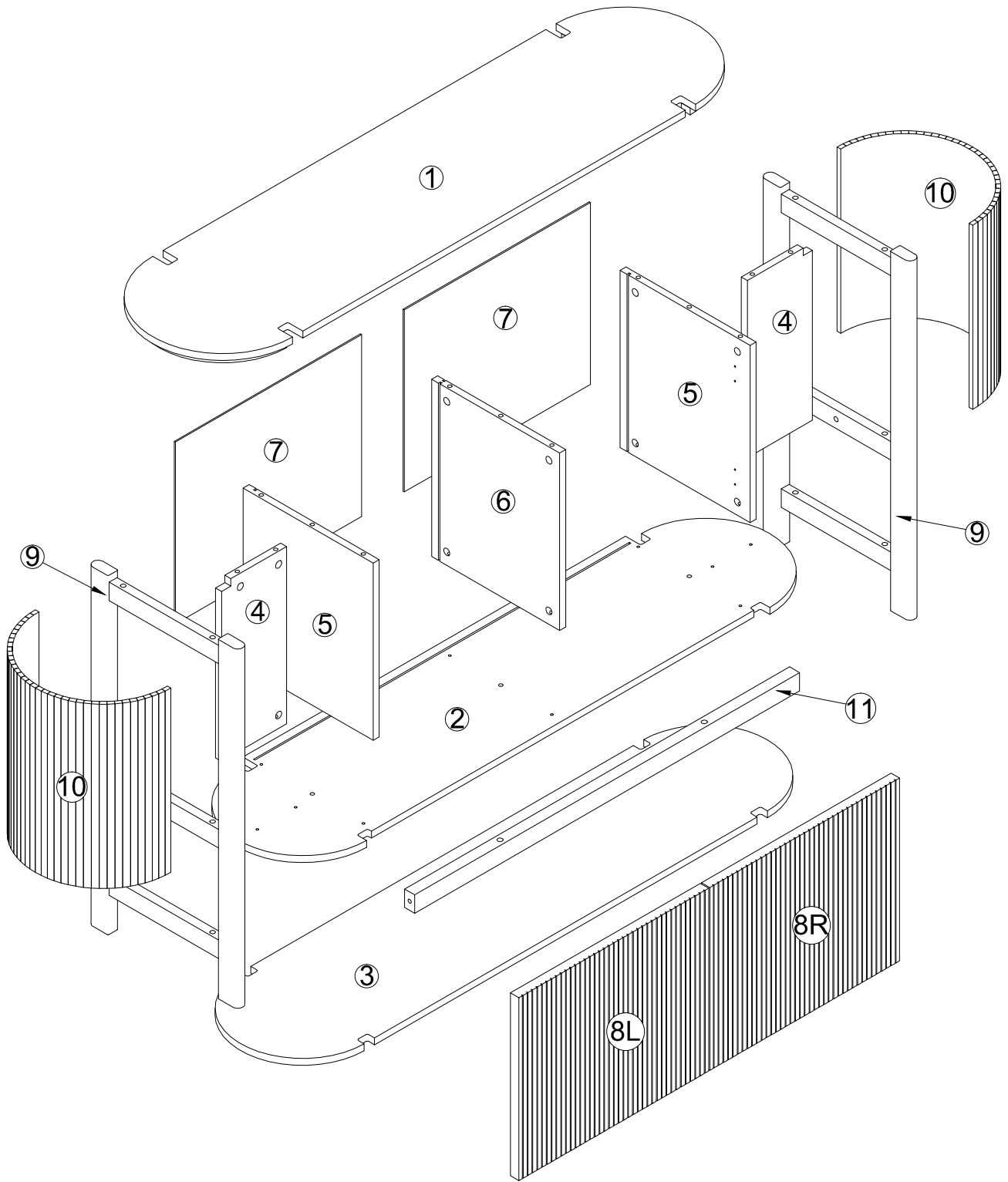


Turn cam lock clockwise to tighten.

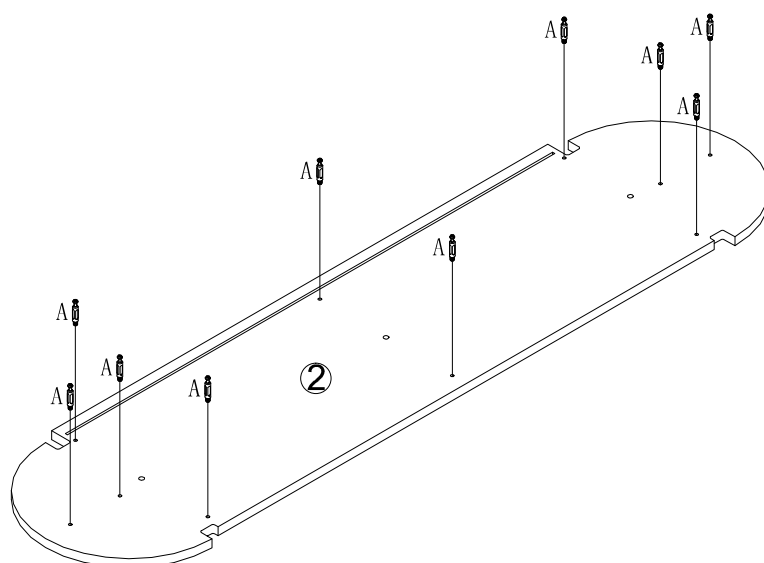
Part List

<p>No. A Quantity:20 Pcs Cam Lock Dowel 8*28mm</p> 	<p>No. B Quantity:20 Pcs Cam φ15</p> 	<p>No. C Quantity:20 Pcs Sticker Ø20</p> 	<p>No. D Quantity:6 Pcs Dowel 8*30mm</p> 
<p>No. E Quantity:4 Pcs Hinge</p> 	<p>No. F Quantity:2 Sets Cabinet Door Rebounder</p> 	<p>No. G Quantity:24 Pcs Screw M3.5*14mm</p> 	<p>No. H Quantity:8 Sets Plastic Wedge</p> 
<p>No. I Quantity:4 Pcs Foot Pad Ø15</p> 	<p>No. J Quantity:16 Pcs Screw M8*35mm</p> 	<p>No. K Quantity:1 Pcs Allen Key 5#</p> 	<p>No. L Quantity:2 Sets Anti-falling Parts</p> 
<p>No. M Quantity:6 Pcs Screw M3*14mm</p> 	<p>No. N Quantity:16 Pcs Gasket Ø13</p> 		

Product structure



STEP 1

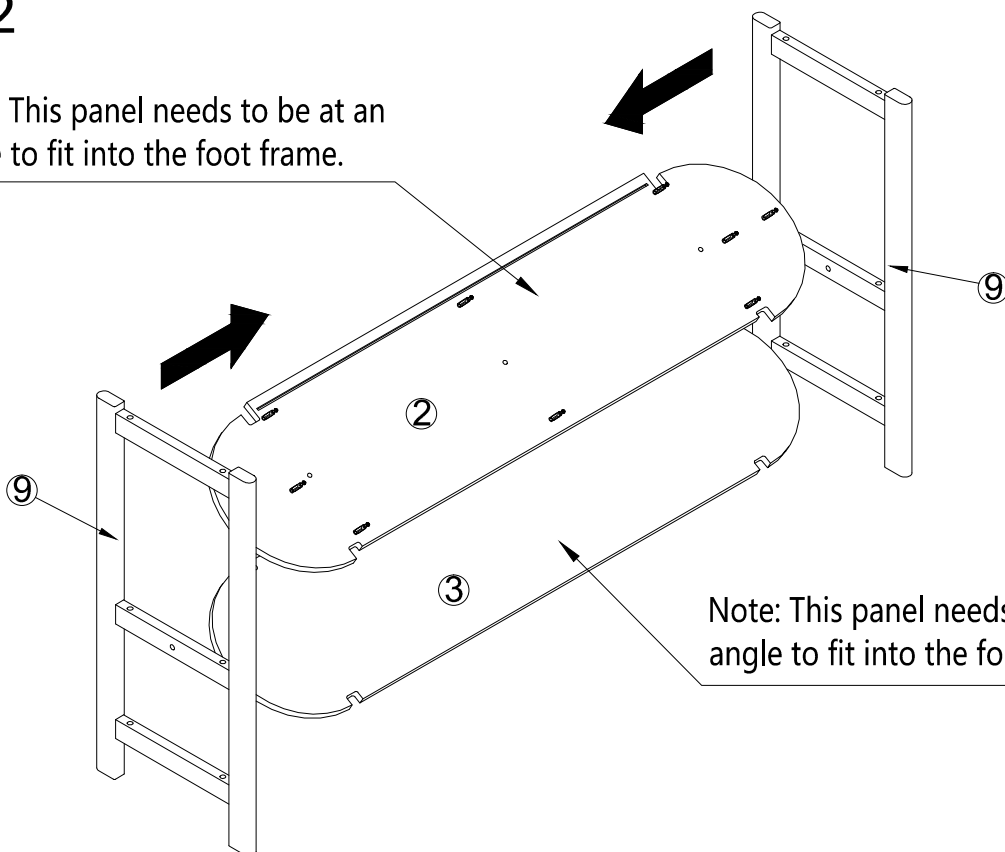


No. A
Quantity: 10 Pcs
8*28 mm



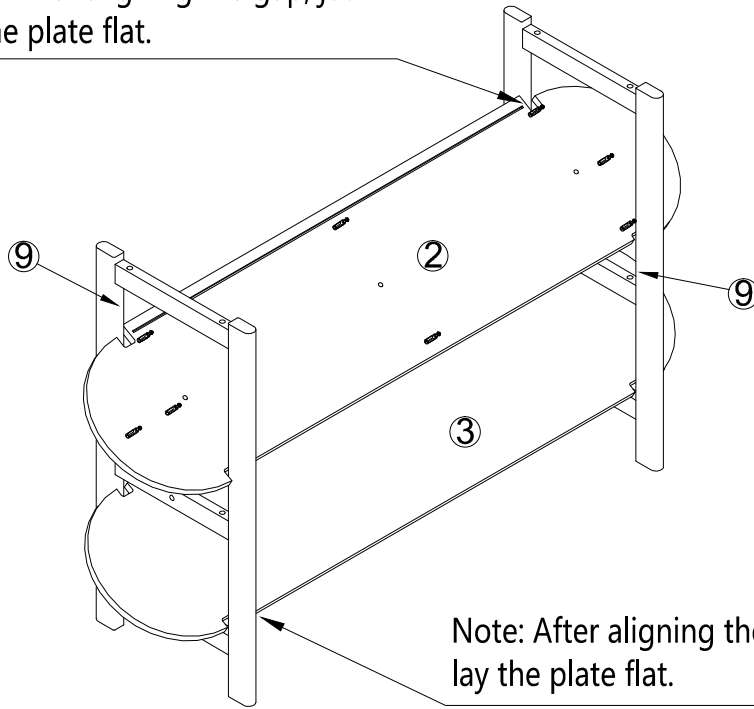
STEP 2

Note: This panel needs to be at an angle to fit into the foot frame.



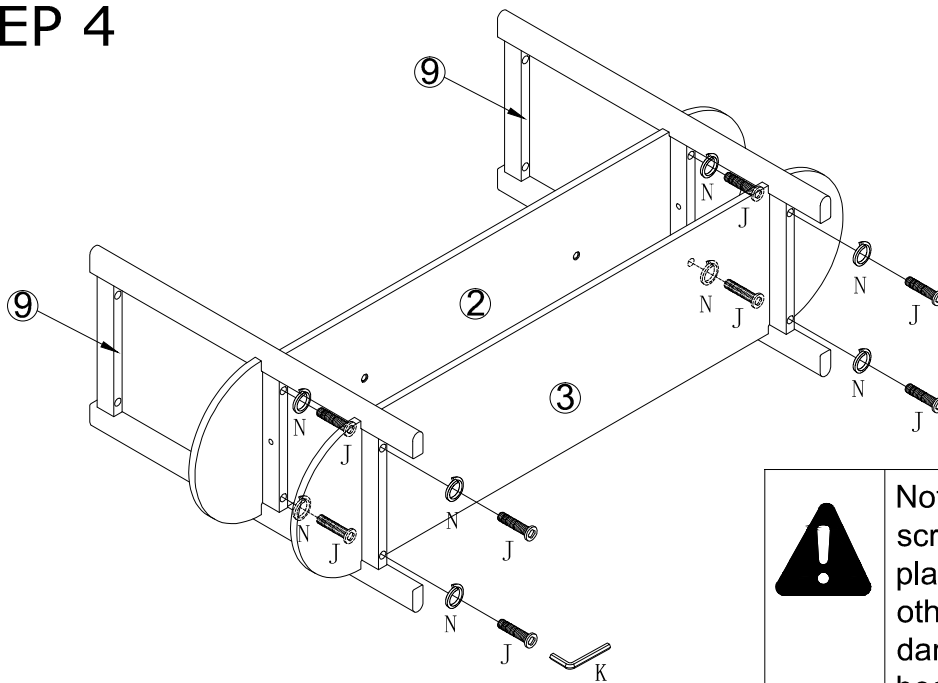
STEP 3

Note: After aligning the gap, just lay the plate flat.



Note: After aligning the gap, just lay the plate flat.

STEP 4



Note: Before locking the screw rod, you must first place the washer, otherwise it may cause damage to the wooden board!

No. J
Quantity: 8 Pcs
M8*35mm



No. K
Quantity: 1 Pcs
5#

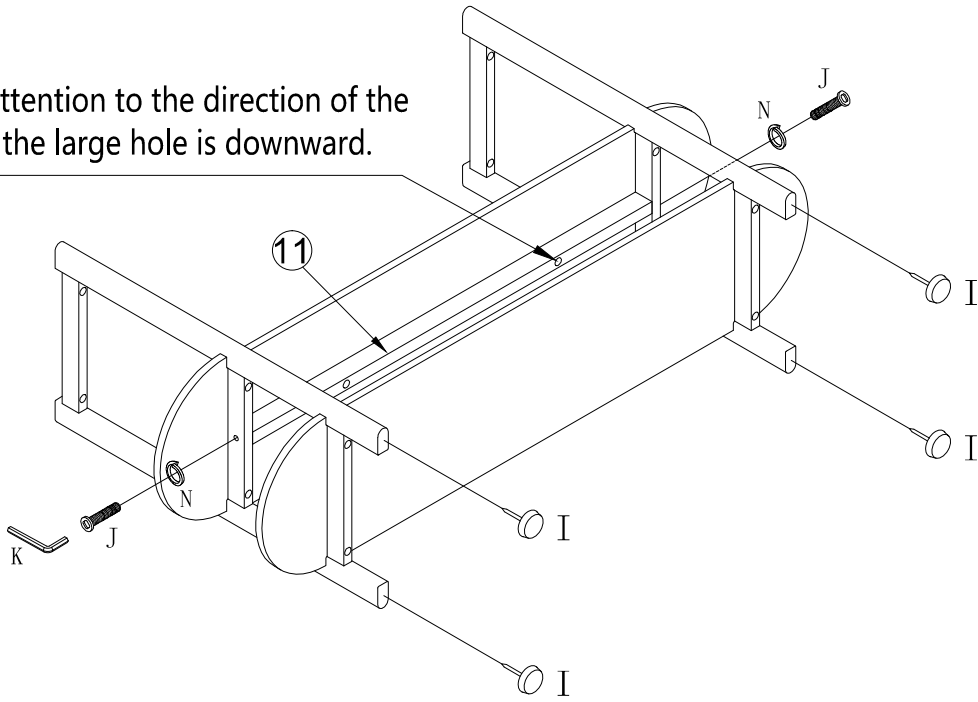


No. N
Quantity: 8 Pcs
Ø13



STEP 5

Pay attention to the direction of the hole, the large hole is downward.



No. J
Quantity: 2 Pcs
M8*35mm



No. K
Quantity: 1 Pcs
5#



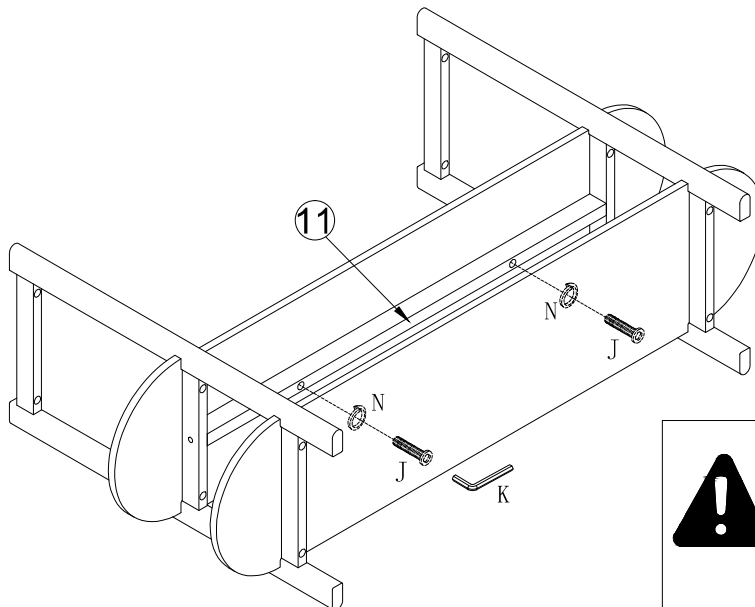
No. I
Quantity: 4 Pcs
Ø15



No. N
Quantity: 2 Pcs
Ø13



STEP 6



No. J
Quantity: 2 Pcs
M8*35mm



No. K
Quantity: 1 Pcs
5#



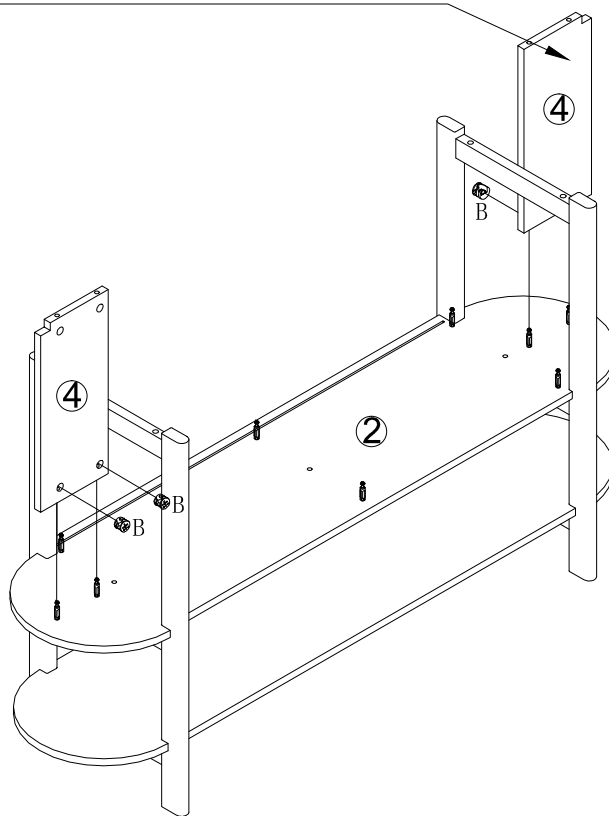
No. N
Quantity: 2 Pcs
Ø13



Note: Before locking the screw rod, you must first place the washer, otherwise it may cause damage to the wooden board!

STEP 7

Note: The lock hole is on the back.

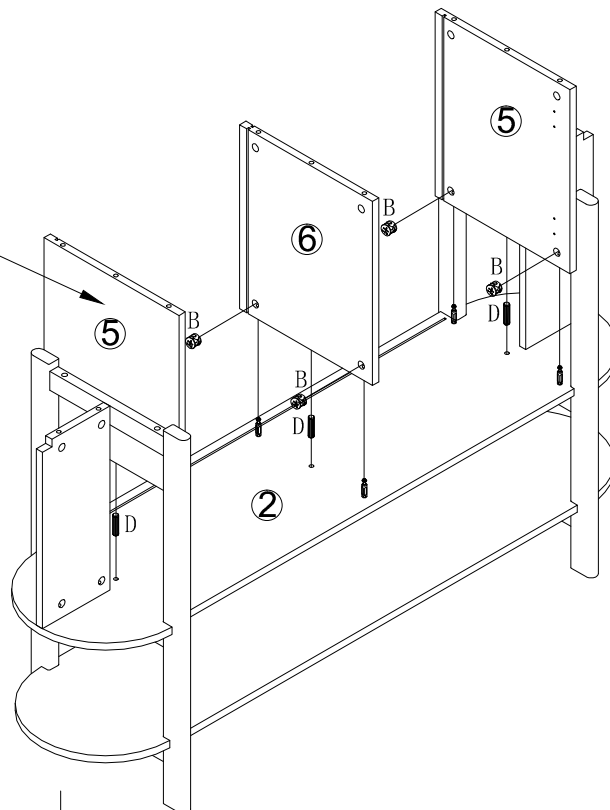


No. B
Quantity: 4 Pcs
Ø15



STEP 8

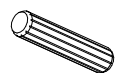
Note: The lock hole is on the back.



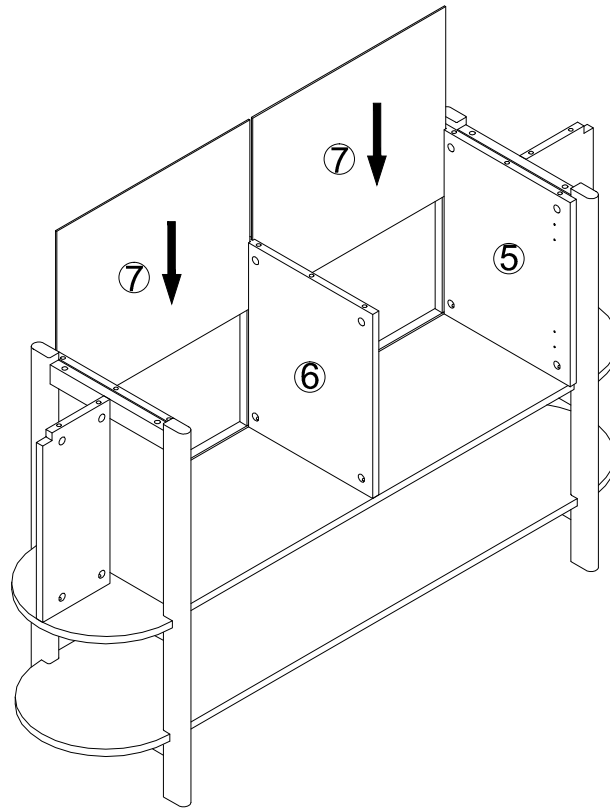
No. B
Quantity: 6 Pcs
Ø15



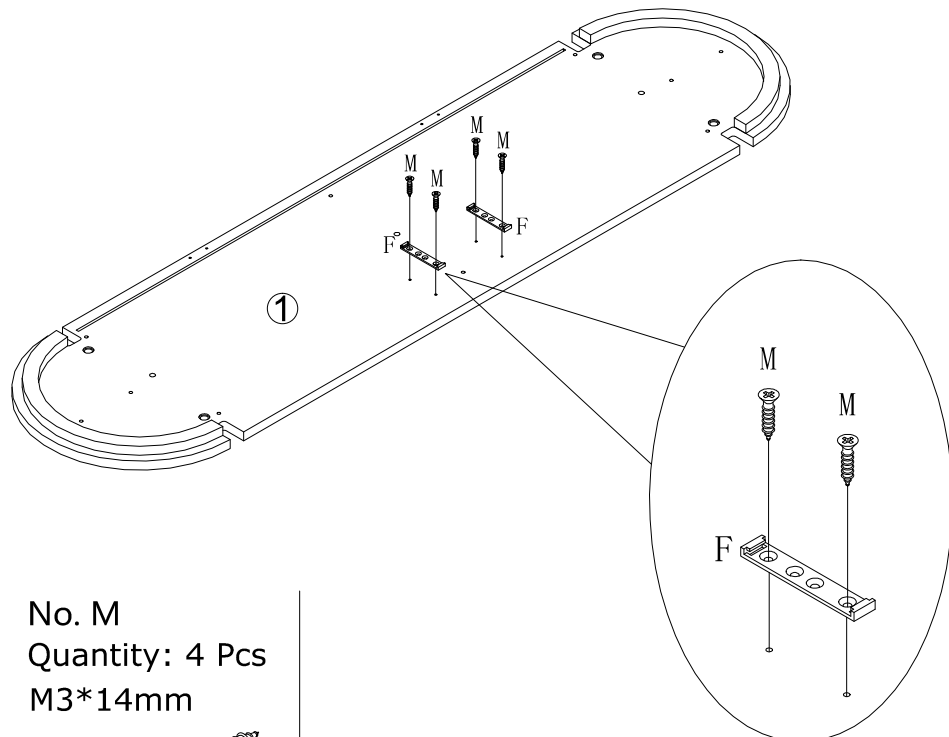
No. D
Quantity: 3 Pcs
8*30mm



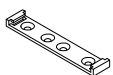
STEP 9



STEP 10



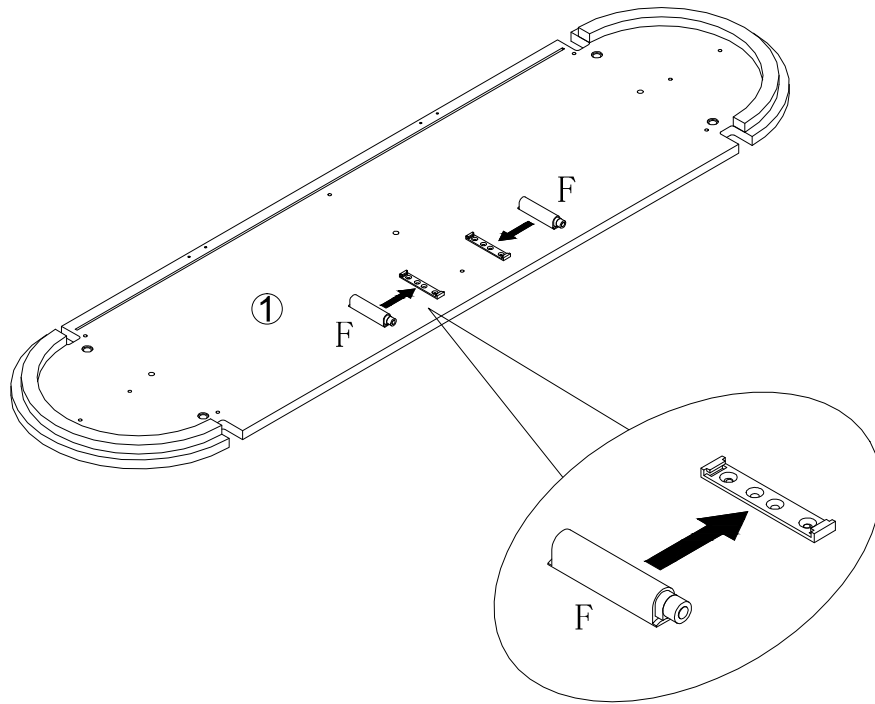
No. F
Quantity: 2 Pcs



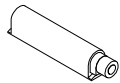
No. M
Quantity: 4 Pcs
M3*14mm



STEP 11

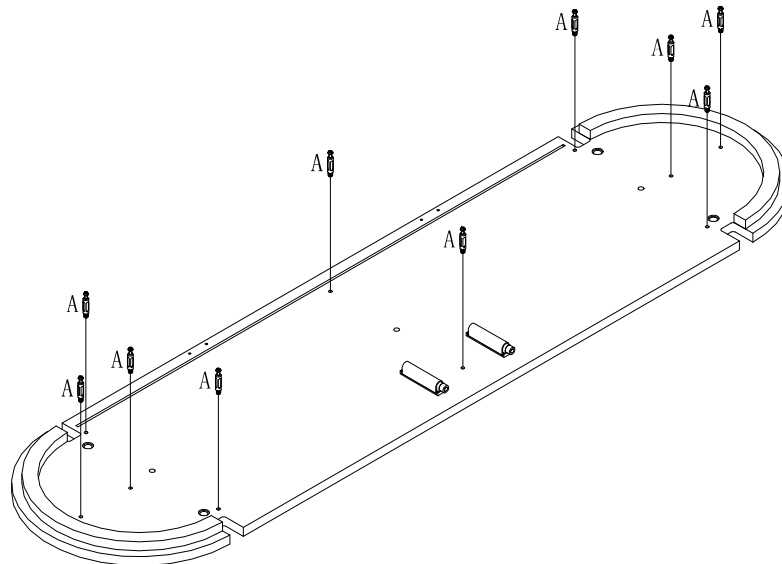


No. F
Quantity: 2 Pcs



Note: Push the accessory into the card slot to complete the installation.

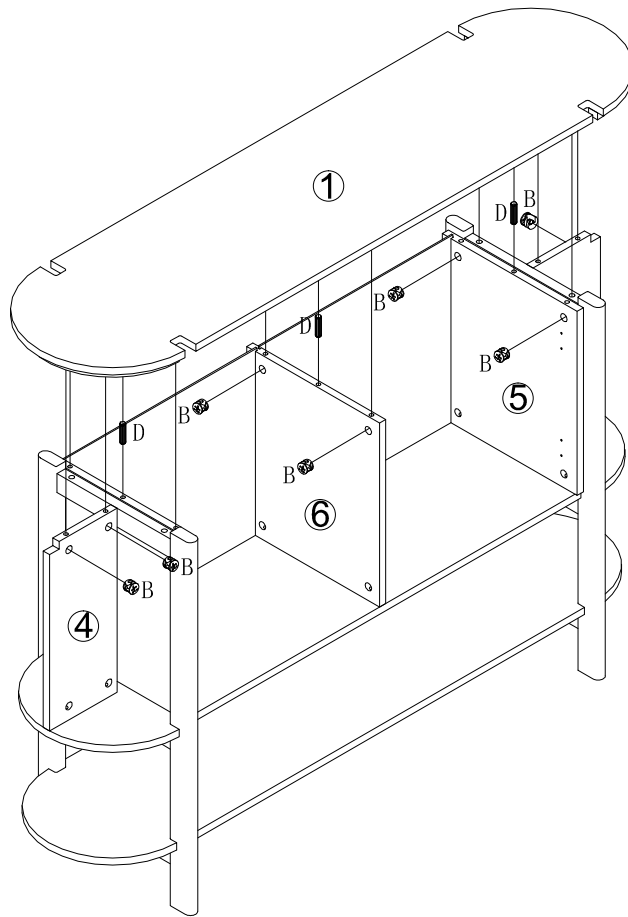
STEP 12



No. A
Quantity: 10 Pcs
8*28 mm



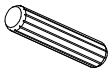
STEP 13



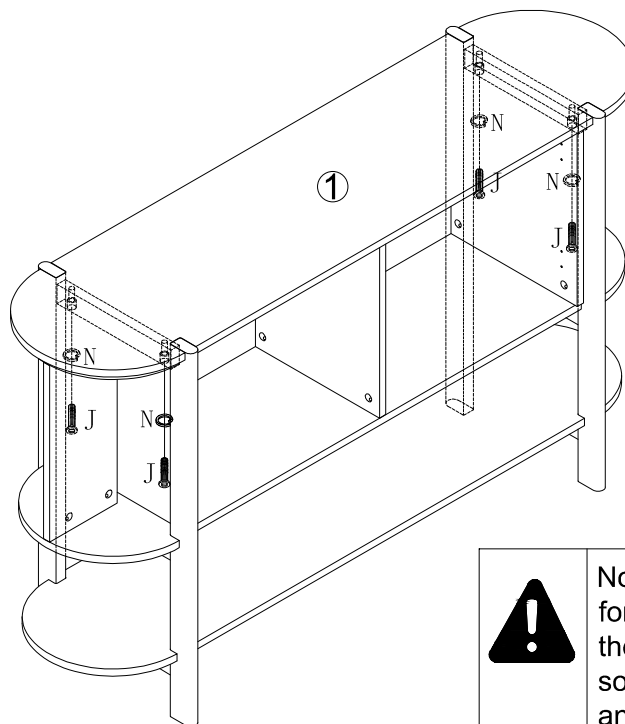
No. B
Quantity: 10 Pcs
Ø15




No. D
Quantity: 3 Pcs
8*30mm



STEP 14



 Note: Before locking the screw rod, you must first place the washer, otherwise it may cause damage to the wooden board!

No. J
Quantity: 4 Pcs
M8*35mm




No. K
Quantity: 1 Pcs
5#



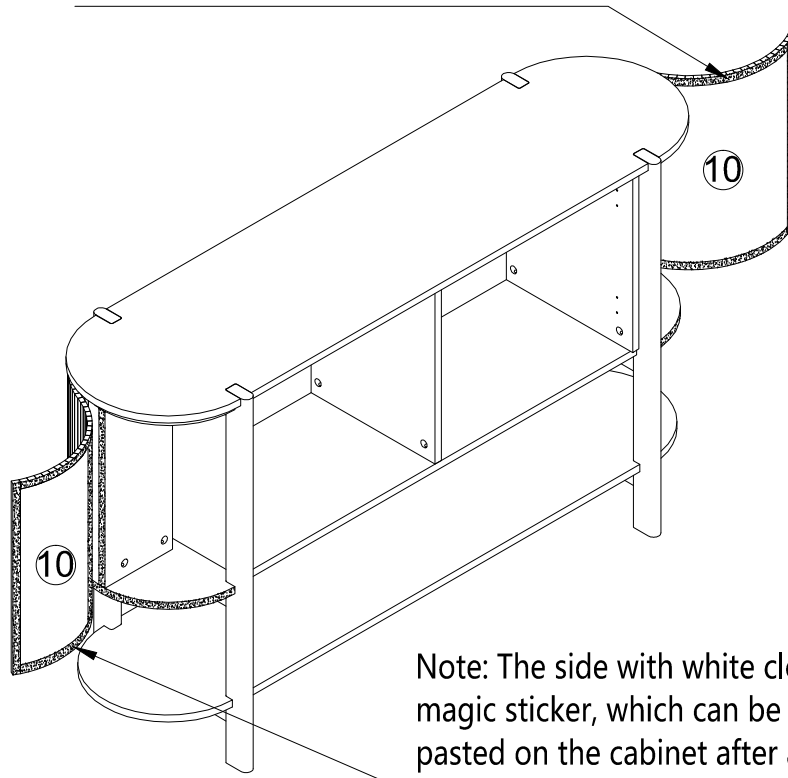
No. N
Quantity: 4 Pcs
Ø13



 Note: There are holes for connecting panels on the upper side of the solid wood foot frame, and the installation can be completed by directly locking the screws from the foot.

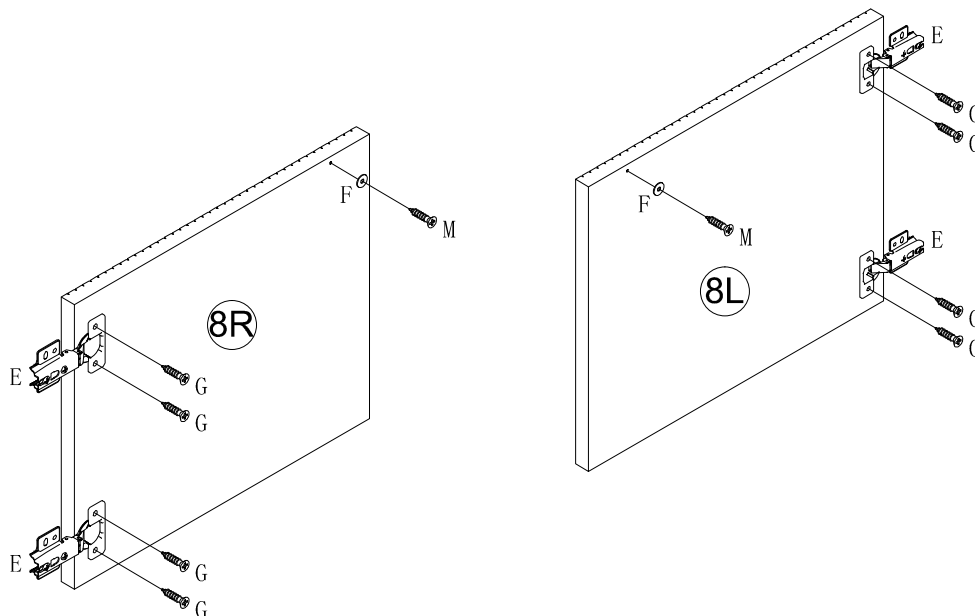
STEP 15

Note: The side with white cloth has a magic sticker, which can be directly pasted on the cabinet after alignment.

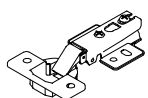


Note: The side with white cloth has a magic sticker, which can be directly pasted on the cabinet after alignment.

STEP 16



No. E
Quantity: 4 Pcs



No. G
Quantity: 8 Pcs
M3.5*14mm



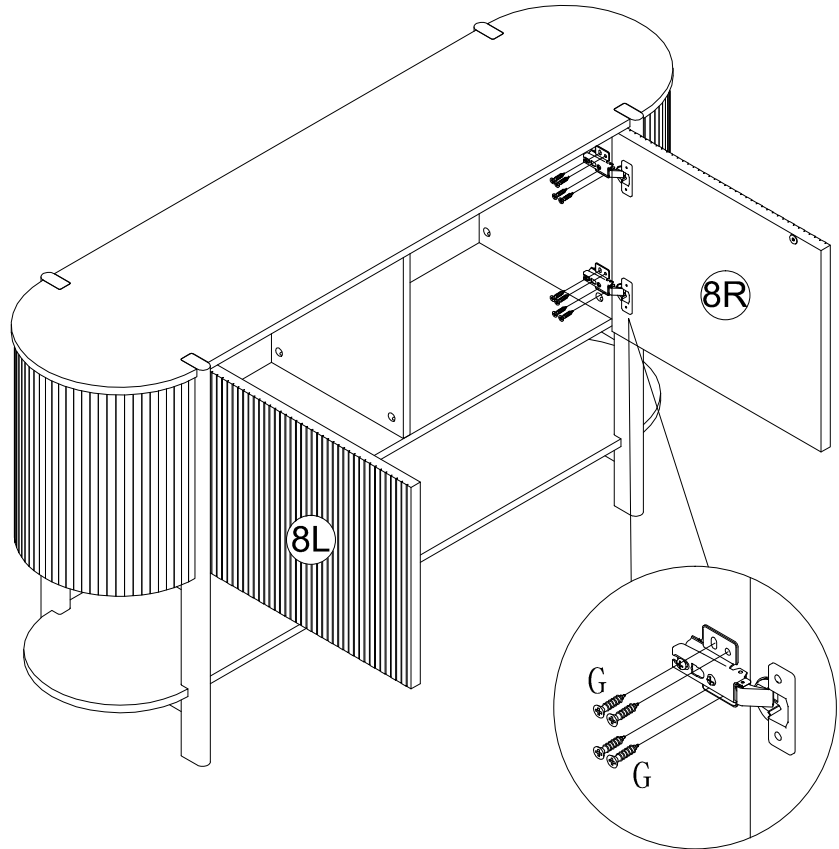
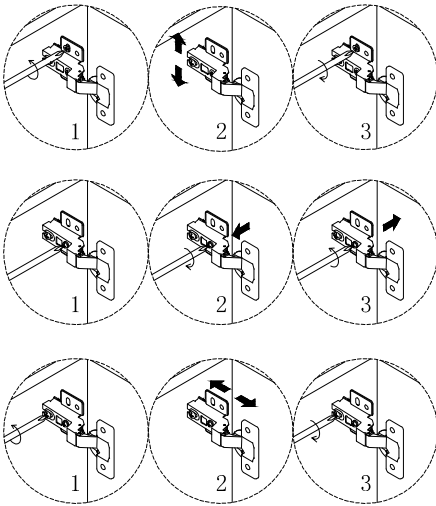
No. F
Quantity: 2 Pcs



No. M
Quantity: 2 Pcs
M3*14mm



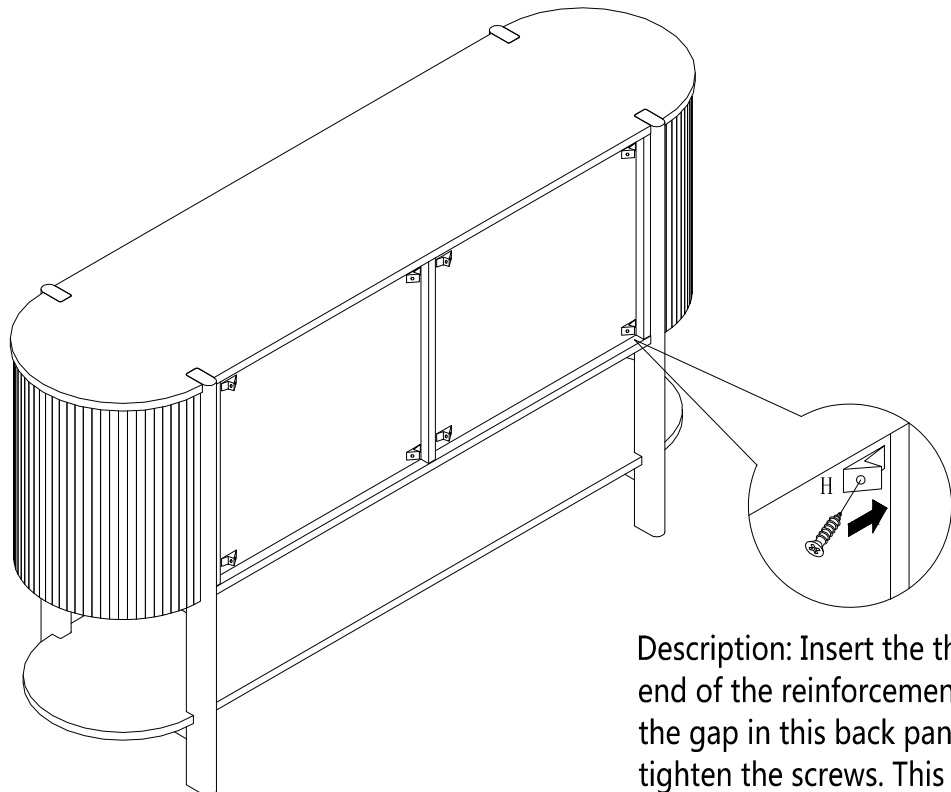
STEP 17



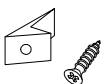
No. G
Quantity: 16 Pcs
M3.5*14mm



STEP 18

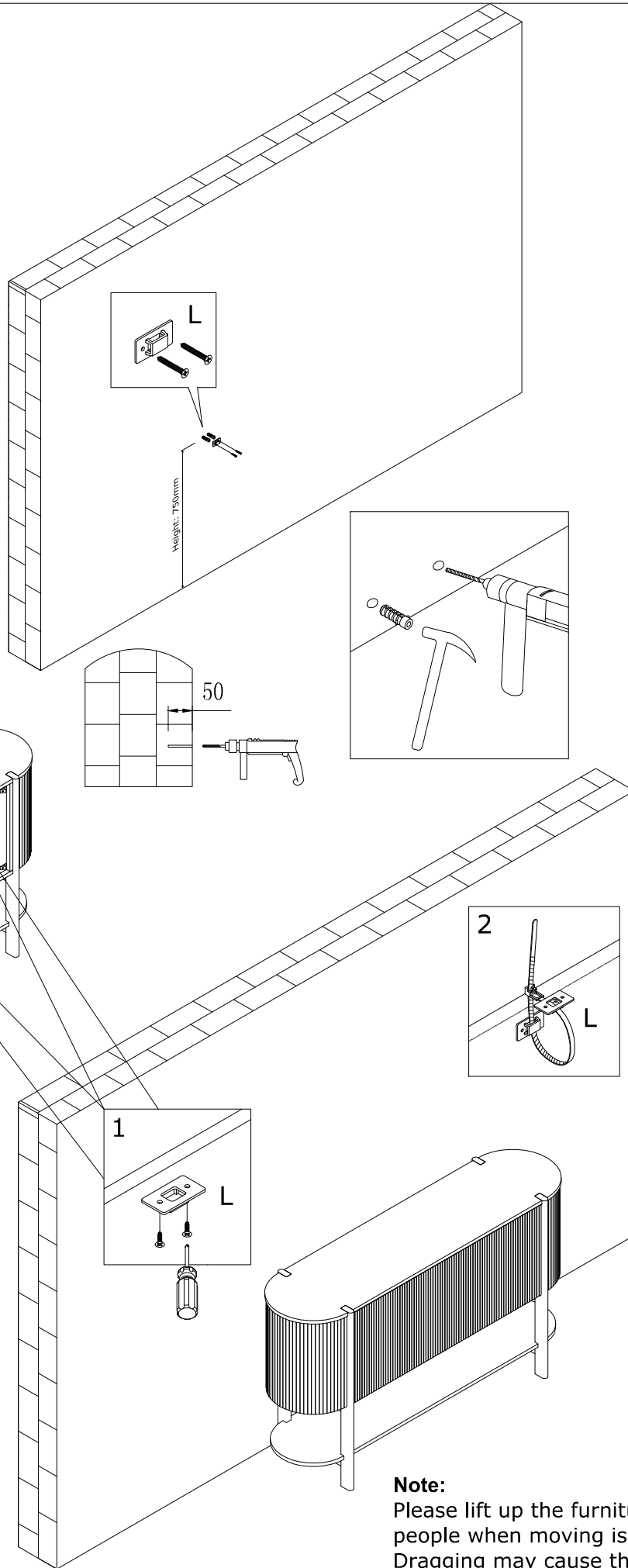


No. H
Quantity: 8 Sets

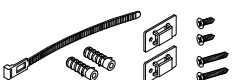


Description: Insert the thinner end of the reinforcement into the gap in this back panel, then tighten the screws. This will make the cabinet more stable.

STEP 19



No. L
Quantity: 2 Set



Note:
Please lift up the furniture by two people when moving is needed.
Dragging may cause the legs failure.