

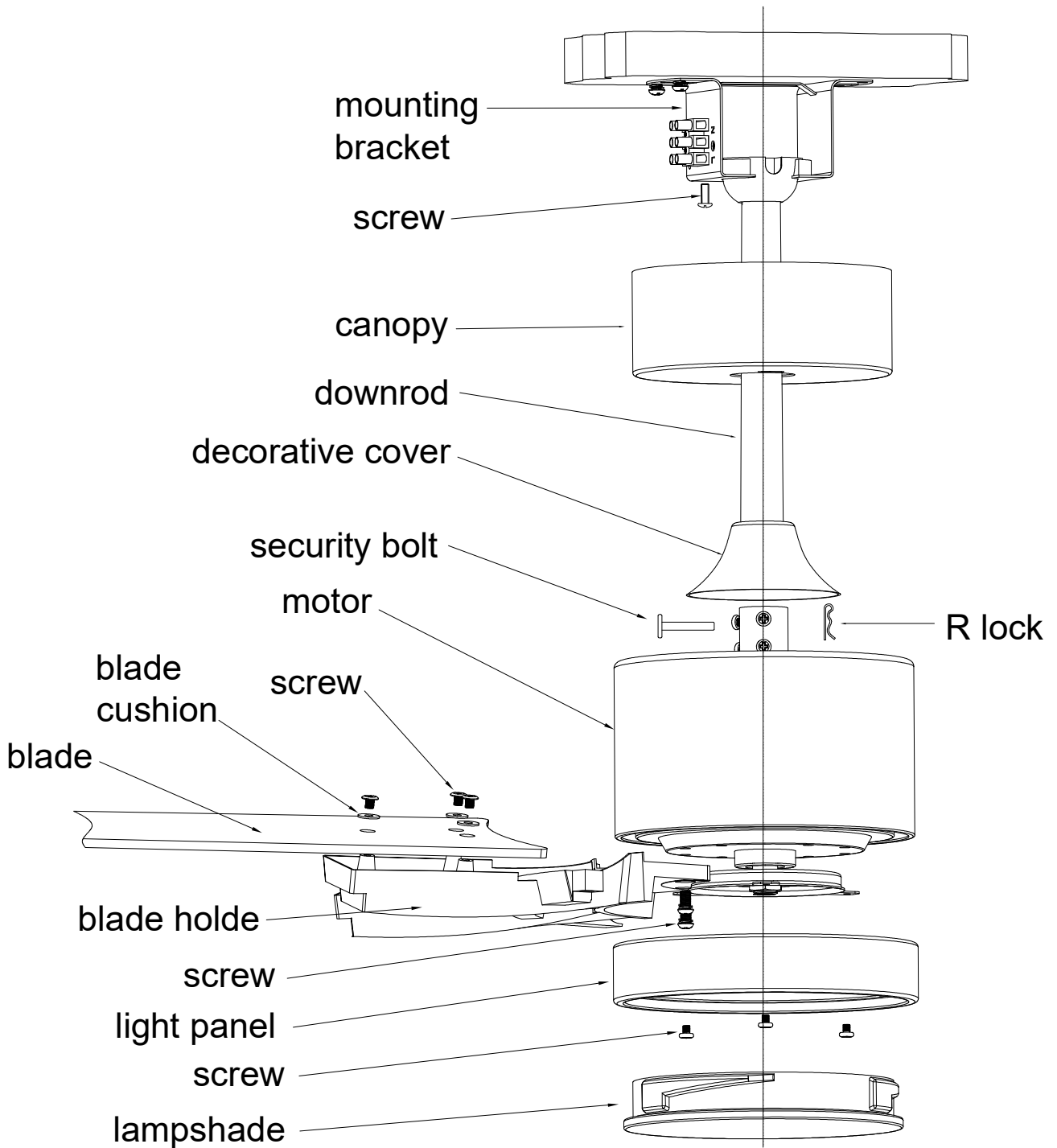
ceiling fan installation manual

READ AND SAVE THIS MANUAL

Warning: To reduce the risk of fire, electrical shock or injury to persons, please observe the following:

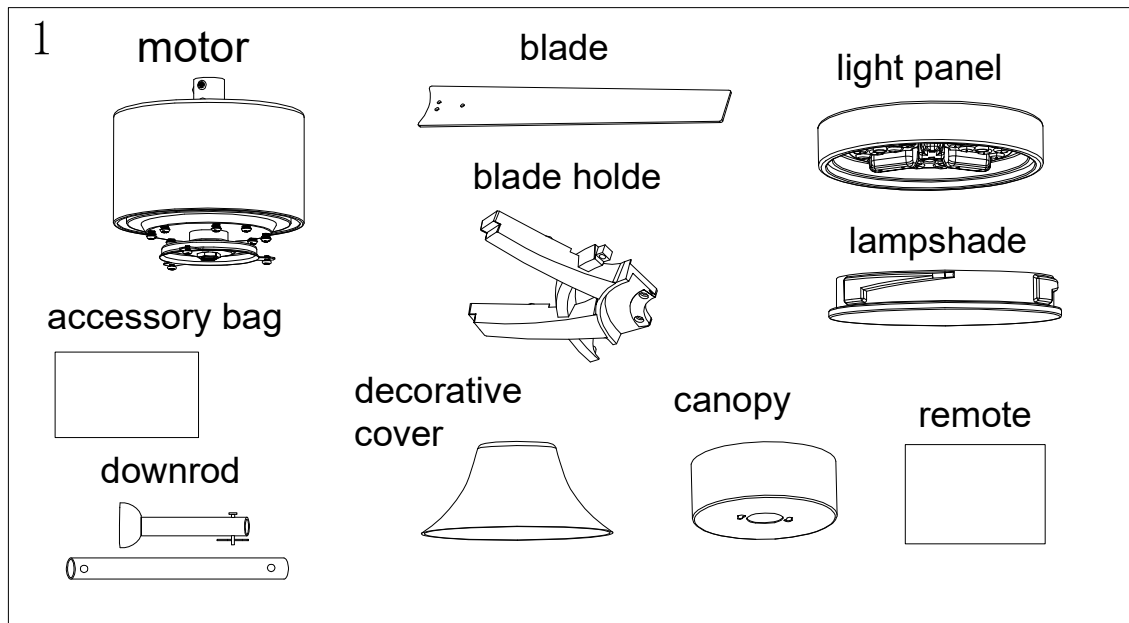
1. Installation must be carried out by qualified wiring installer
2. Turn off electrical source before installing
3. Make sure the power supply range is 220v-240v, 50Hz
4. The ceiling must be able to withhold a minimum weight of 30kgs
5. The ceiling fan must be mounted to a minimum height ceiling of 9'(2.3 meter) from the floor
6. Do not place any objects to the path of the blades
7. Make sure that all screws and connections are tightly screwed and secured
8. When all electrical connections are done, store all wires neatly

complete exploded view

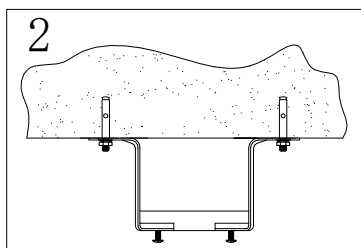


Installation steps

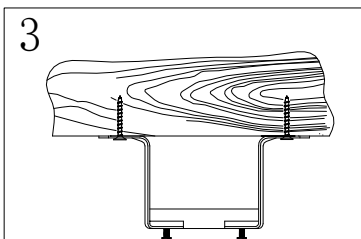
1. check the parts below and ensure they are all inside your package (see figure 1).



2. Fix mounting bracket



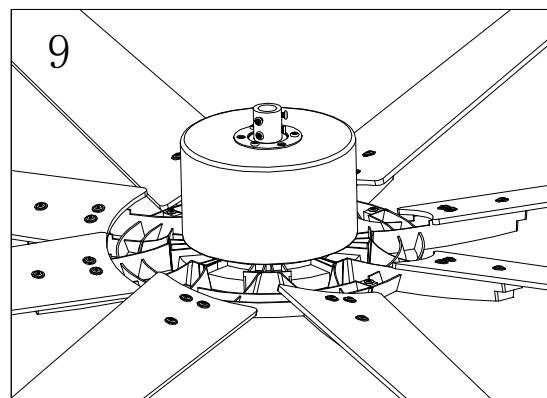
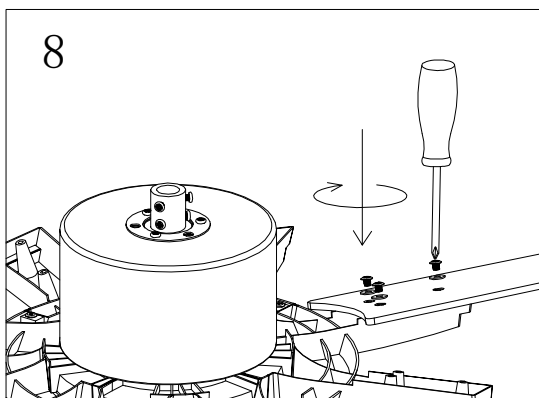
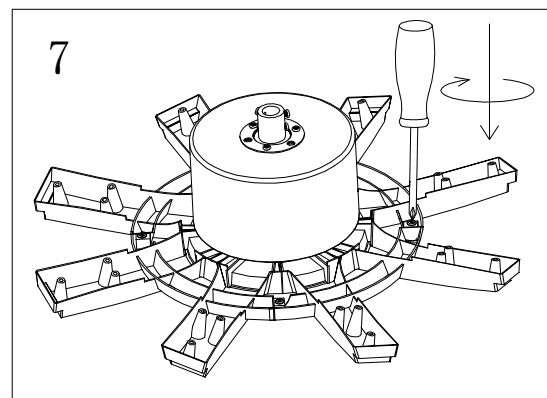
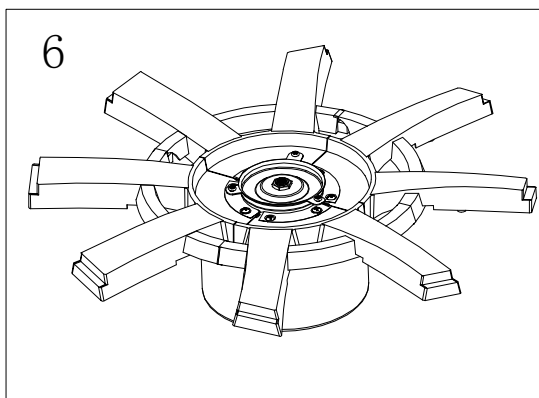
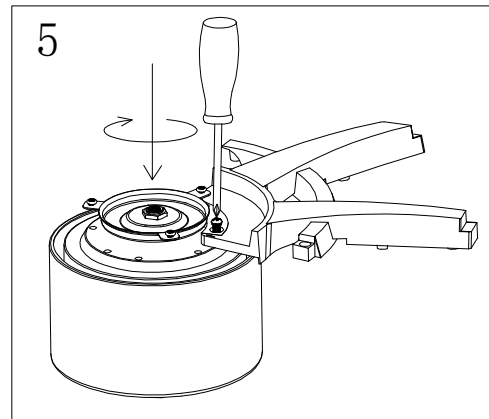
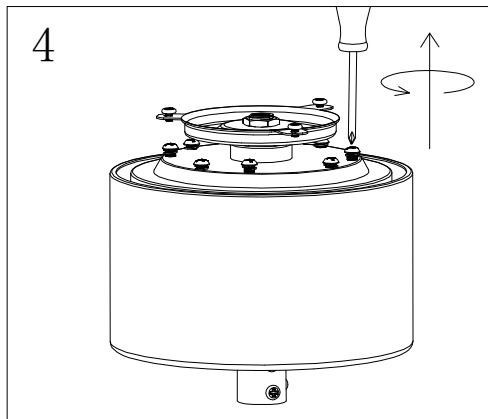
2. 1 Place the mounting bracket to the ceiling, draw holes on it through the bracket holes, then use impact drill with 8mm drill bit and screws to drill holes and fix the bracket to the ceiling. if the ceiling is cement, use set screws. (see figure 2)



2. 2 If the ceiling is wood, use self tapping screws. (see figure 3)

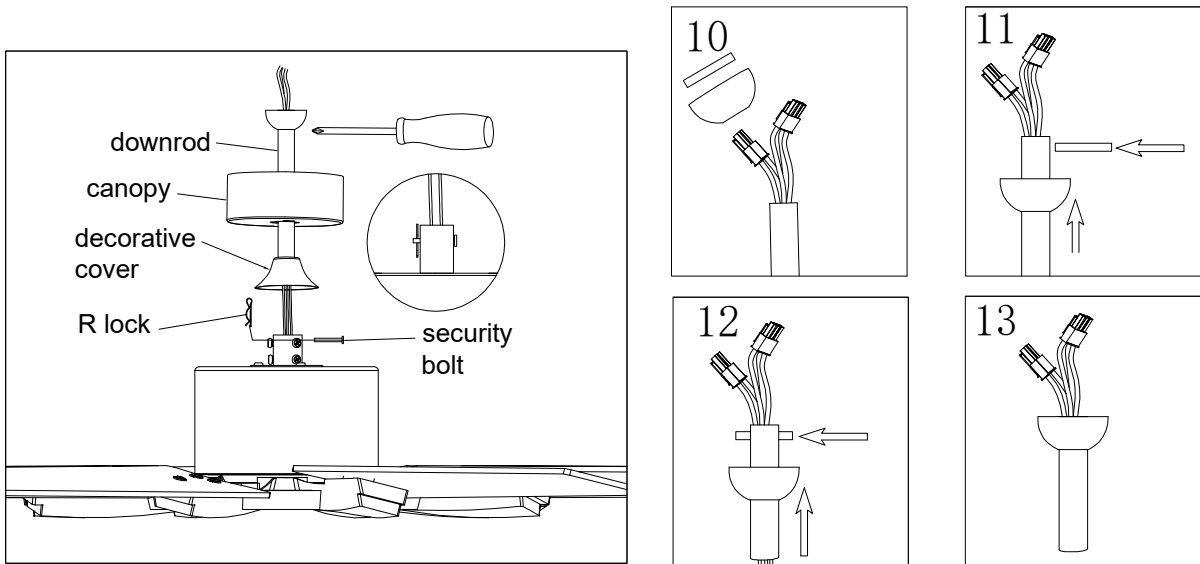
3. Install fan blades

loosen and take out the screws from the motor, assemble blades holde and install them to the motor, them install blade to the blade holde (see figures 4,5,6,8,9).



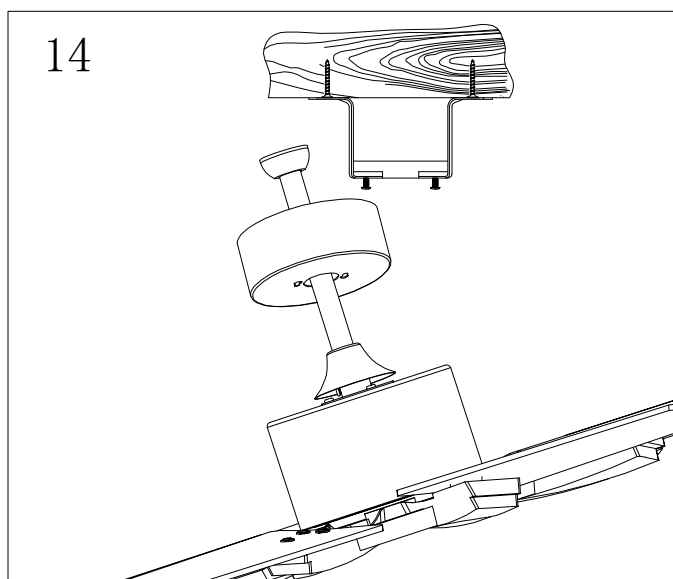
4. Install downrod

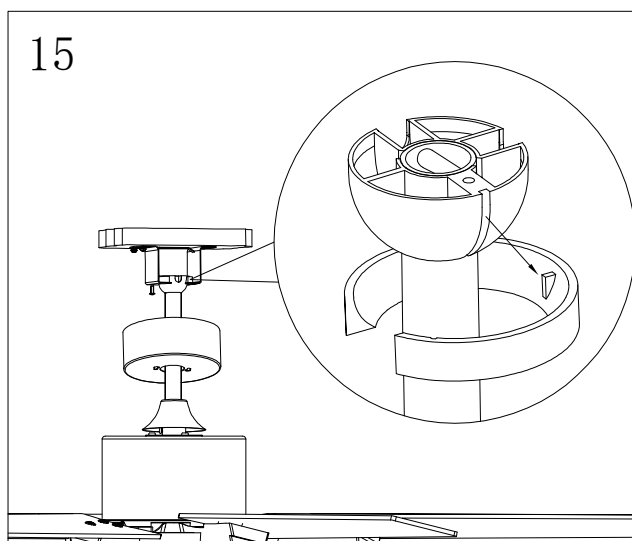
Put power line through the downrod and decorative cover then connect the downrod to the mainbody. then insert the fix R lock and security bolt, finally tighten the screws (see figures 10,11,12,13).



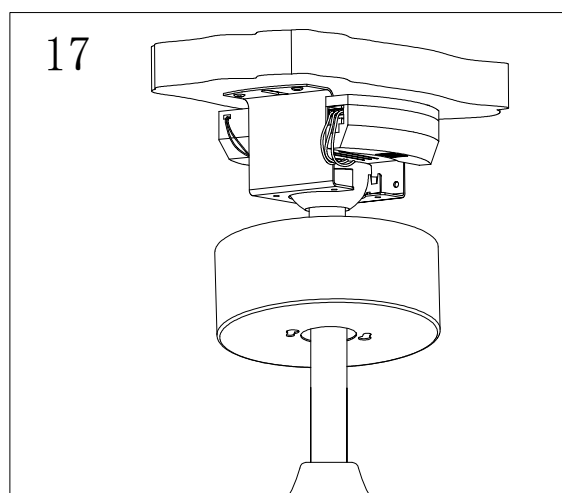
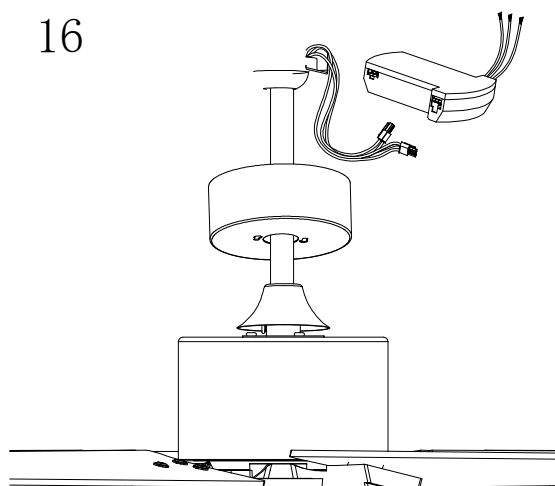
5. Install receiver and canopy

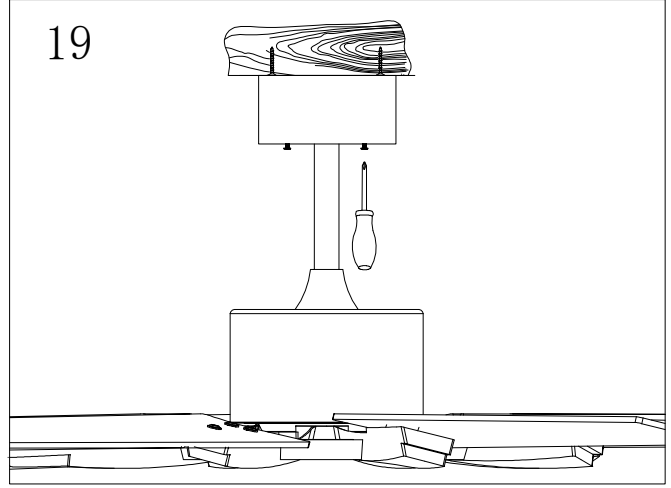
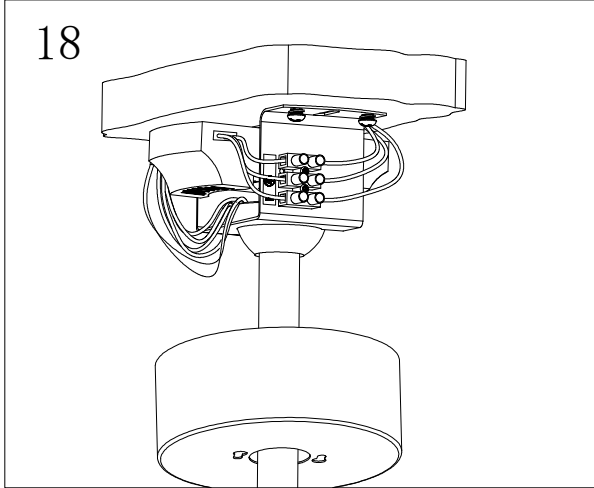
5.1 Hang the assembled ceiling fan to the the mounting bracket, rotate the downrod to ensure the groove on the head of the downrod to match the salient point on the mounting bracket (see figures 14,15).





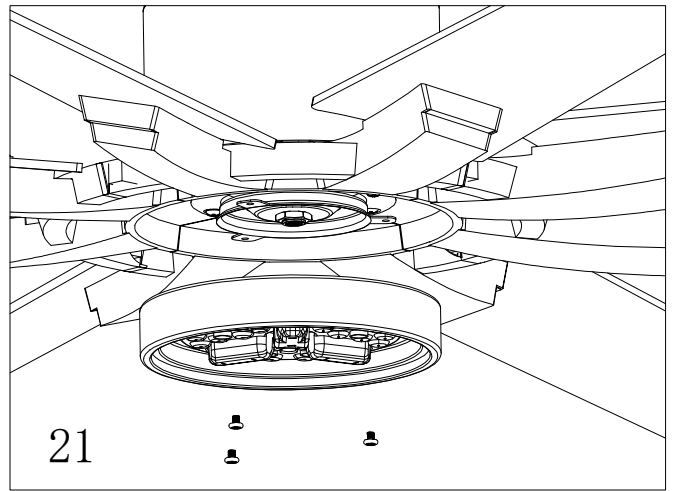
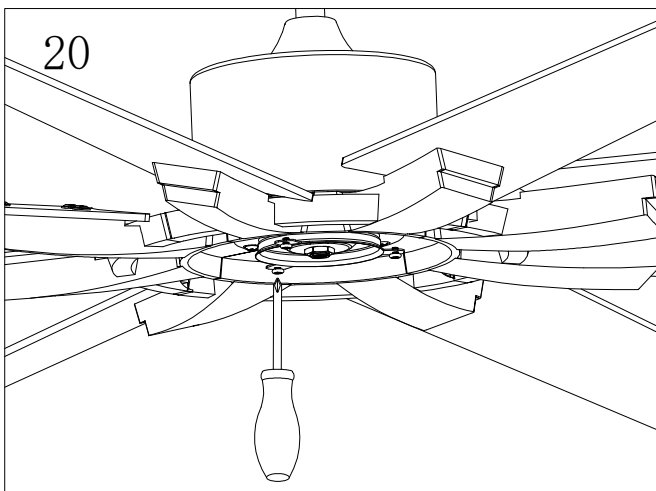
5.2 connect the wires of the receiver to the wires of the motor,insert the receiver into the mounting bracket,then lock the canopy to the bracket (see figures 16,17,18,19).

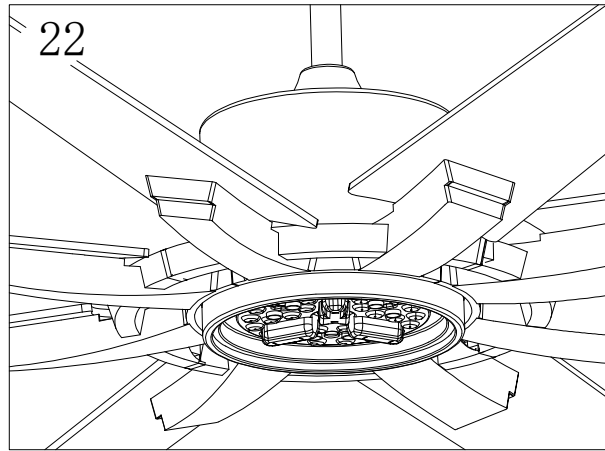




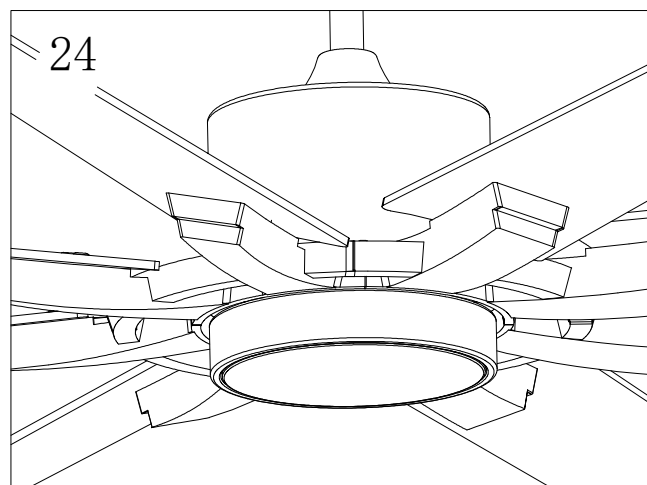
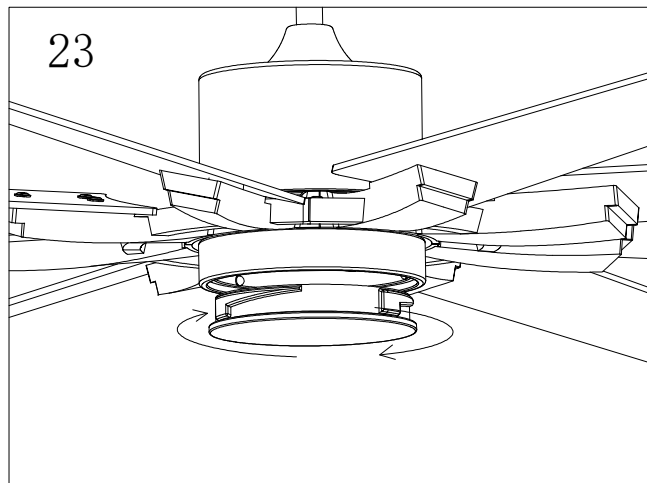
6. Install light panel and lampshade

6.1 take out the screws from the light panel holder, align the screws holes of the light panel to the screws holes of the holder, locked by screws. later connect the power wires (see figures 20,21,22).





6.2 locating the lampshade, rotated by clockwise direction until it proper fixed (see figures 23,24).



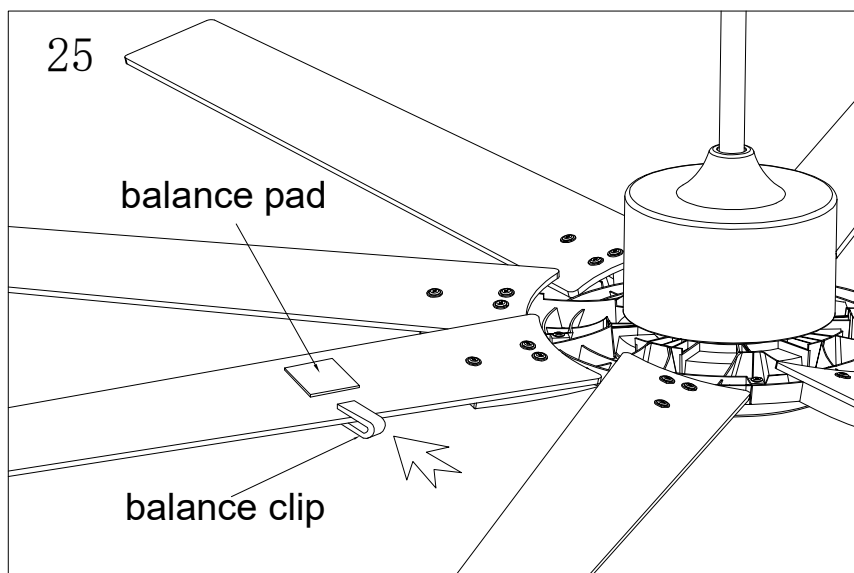
TROUBLE SOLVED

FAN DO NOT WORK

1. check all fuses or circuit breakers, replace if missing
2. turn off electric power and check all wire connections
3. check the power voltage and see if it is normal

FAN SHAKE

1. switch on the ceiling fan, if shake is found, switch it off and place one of the balance clips to one of the fan blades. switch on the fan again to see if there is any improvement.
2. If there is no improvement, place the balance clip to the other blade and repeat the testing. if there is improvement, remove the clip from the blade and stick balance pad instead (see figure 25).



FAN NOISY

- 1.check all the screws and see if they were all tighten
- 2.check if there is any friction between motor and other parts during fan working

FAN TURNS BUT DOES NOT CREATE MUCH AIR

- 1.the fan may be running in reverse,so air is directed upwards
- 2.the room may contain items that block the air flow
- 3.the fan may be too small for size of the room

MAINTENANCE

- 1.clean your fan periodically.use only soft cloth,never use hard objects or solvents.
- 2.the fans natural movements may cause some connections to work loose,a clicking noise is the certain sign,check all connections if this happens, tighten all screws which have been loosen.do not use a screw driver or pliers to tighten glass screws. make sure the fan is power off before adjusting anything on it.