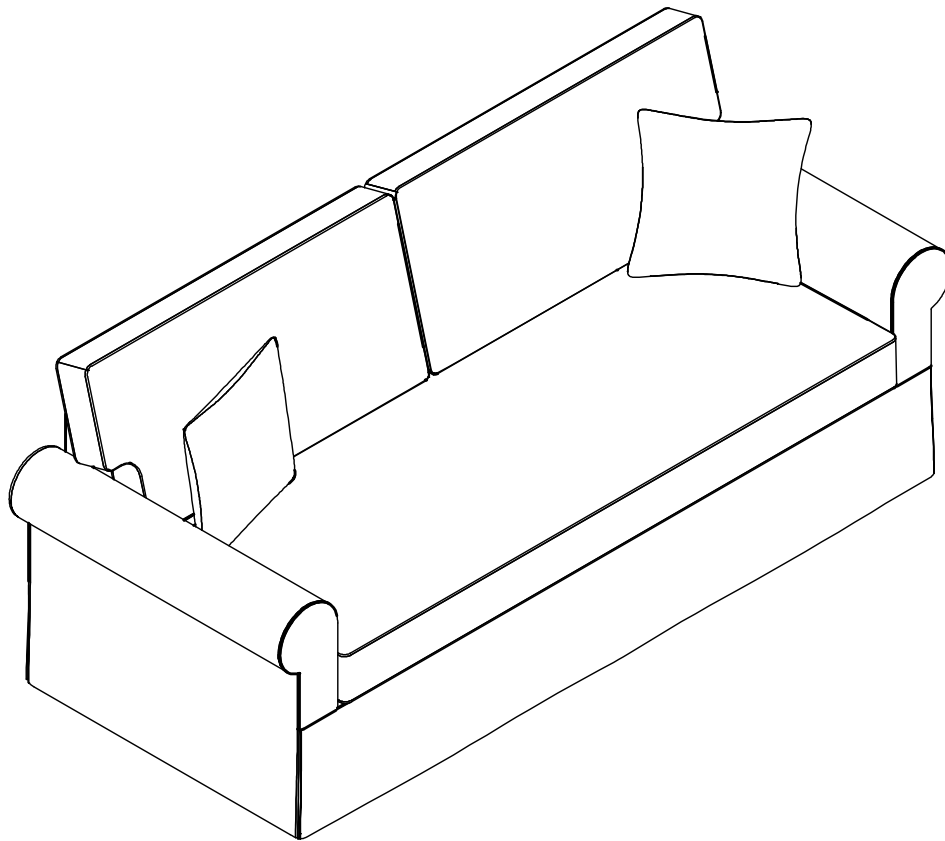
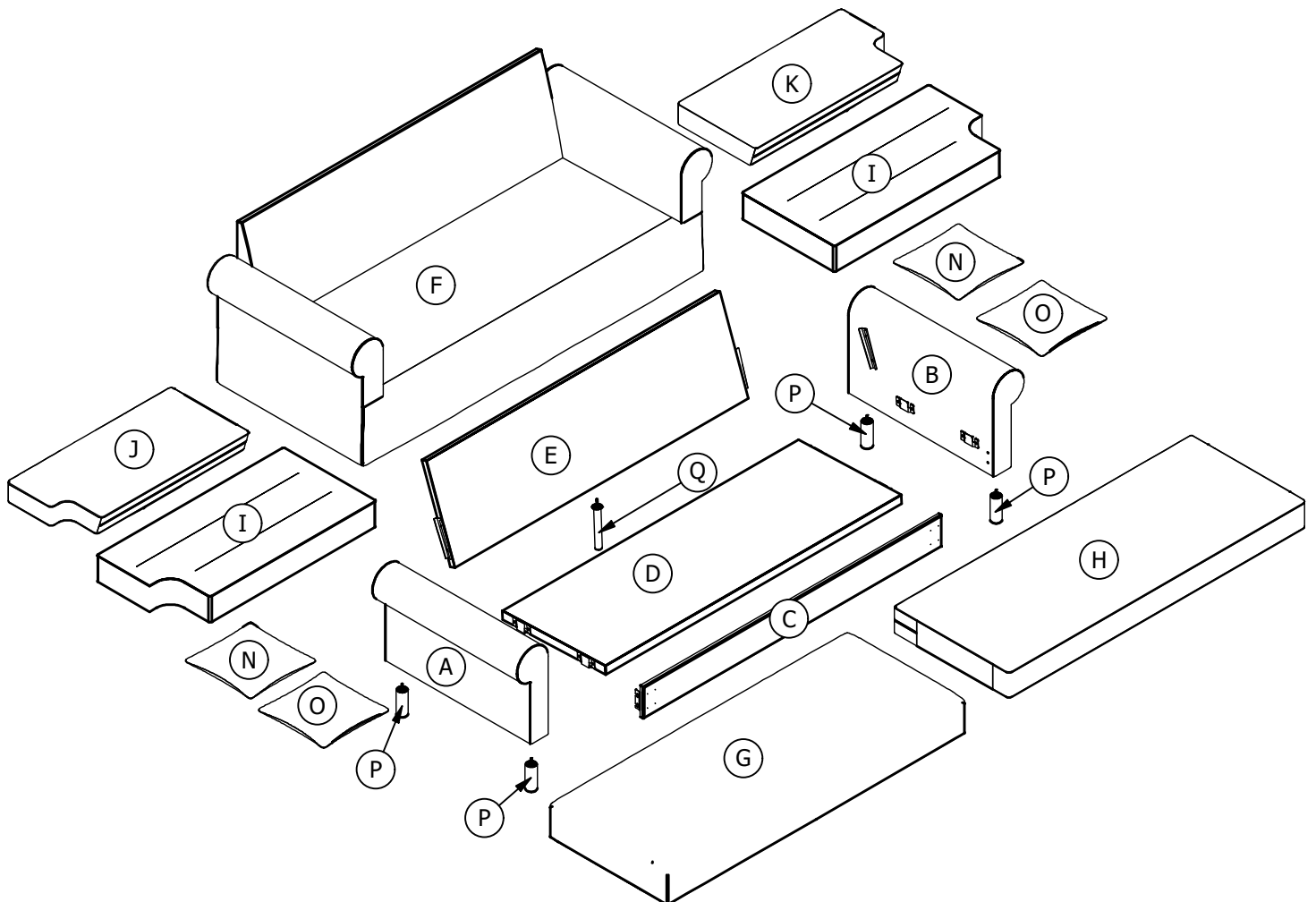


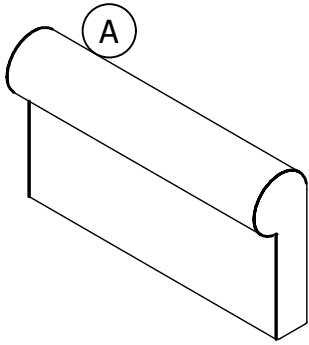
Assembly Instruction



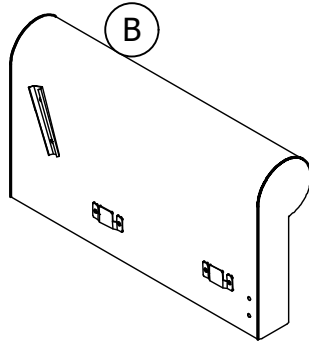
PARTS



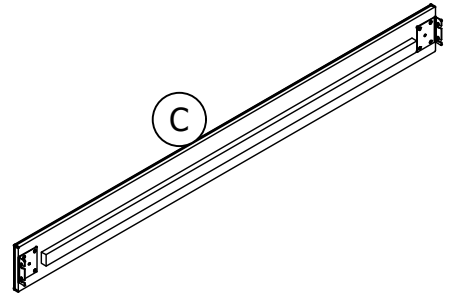
PARTS LIST



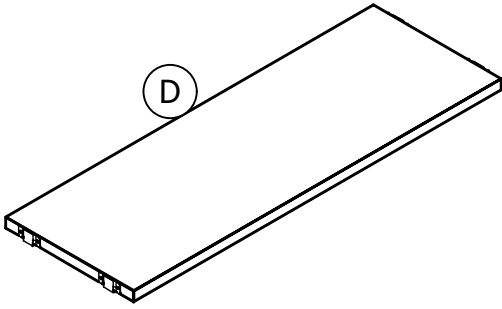
Left Armrest X 1 PC



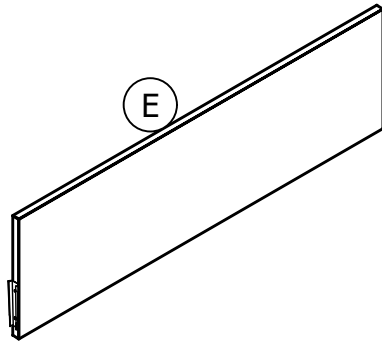
Right Armrest X 1 PC



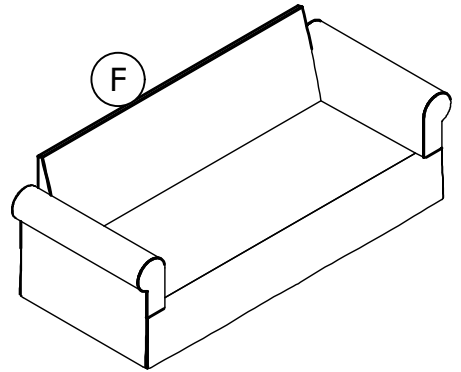
Front Rail X 1 PC



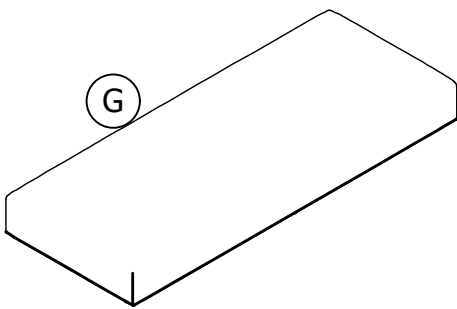
Seat Panel X 1 PC



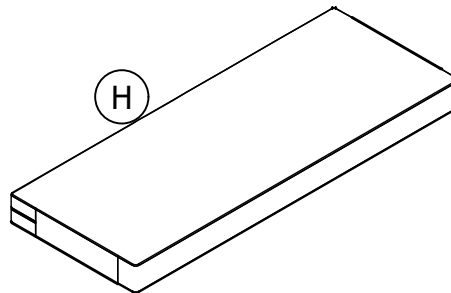
Back X 1 PC



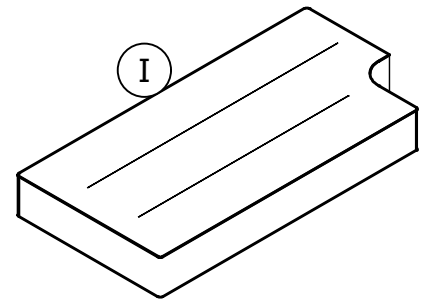
Sofa Slipcover X 1 PC



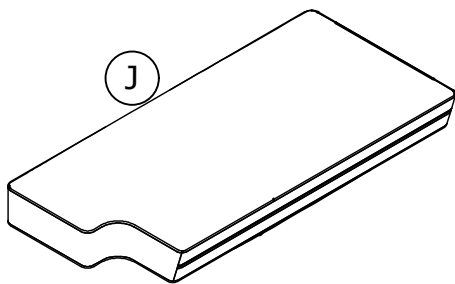
Seat Cushion X 1 PC



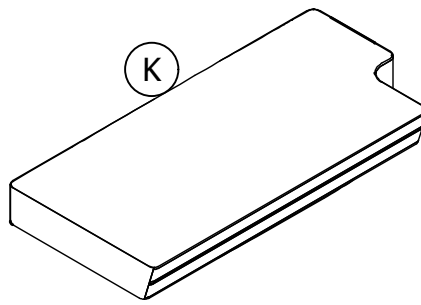
Seat Slipcover X 1 PC



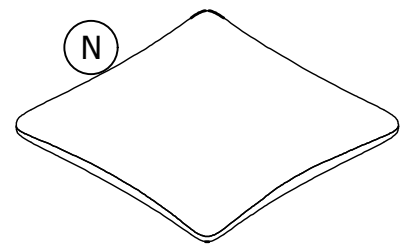
Back cushion X 2 PCS



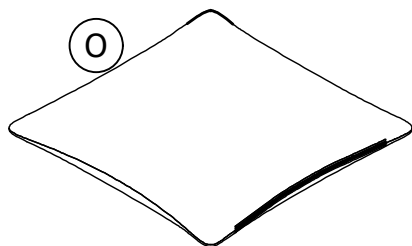
Back Slipcover X 1 PC



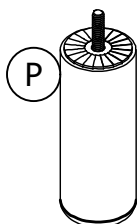
Back Slipcover X 1 PC



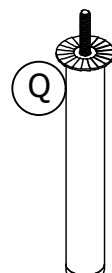
Pillow X 2 PCS



Pillow Slipcover X 2 PCS

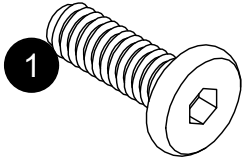


Leg X 4 PCS

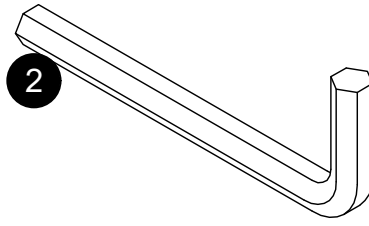


Support Leg X 1 PC

HARDWARE



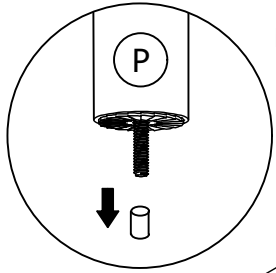
Bolt 5/16"X 23mm
X 5



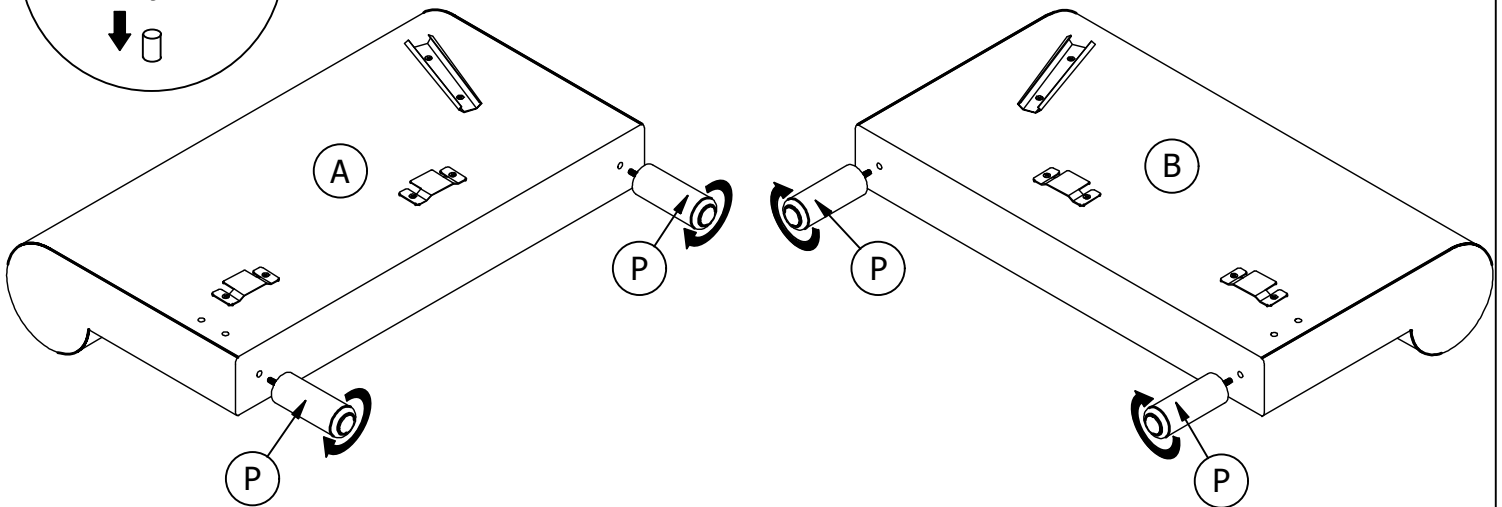
Allen Key 5mm
X 1

Place all parts on a clean, smooth surface.

STEP 1: Manually screw Legs **P** x 4 to Armrest **A** & **B**, as shown.

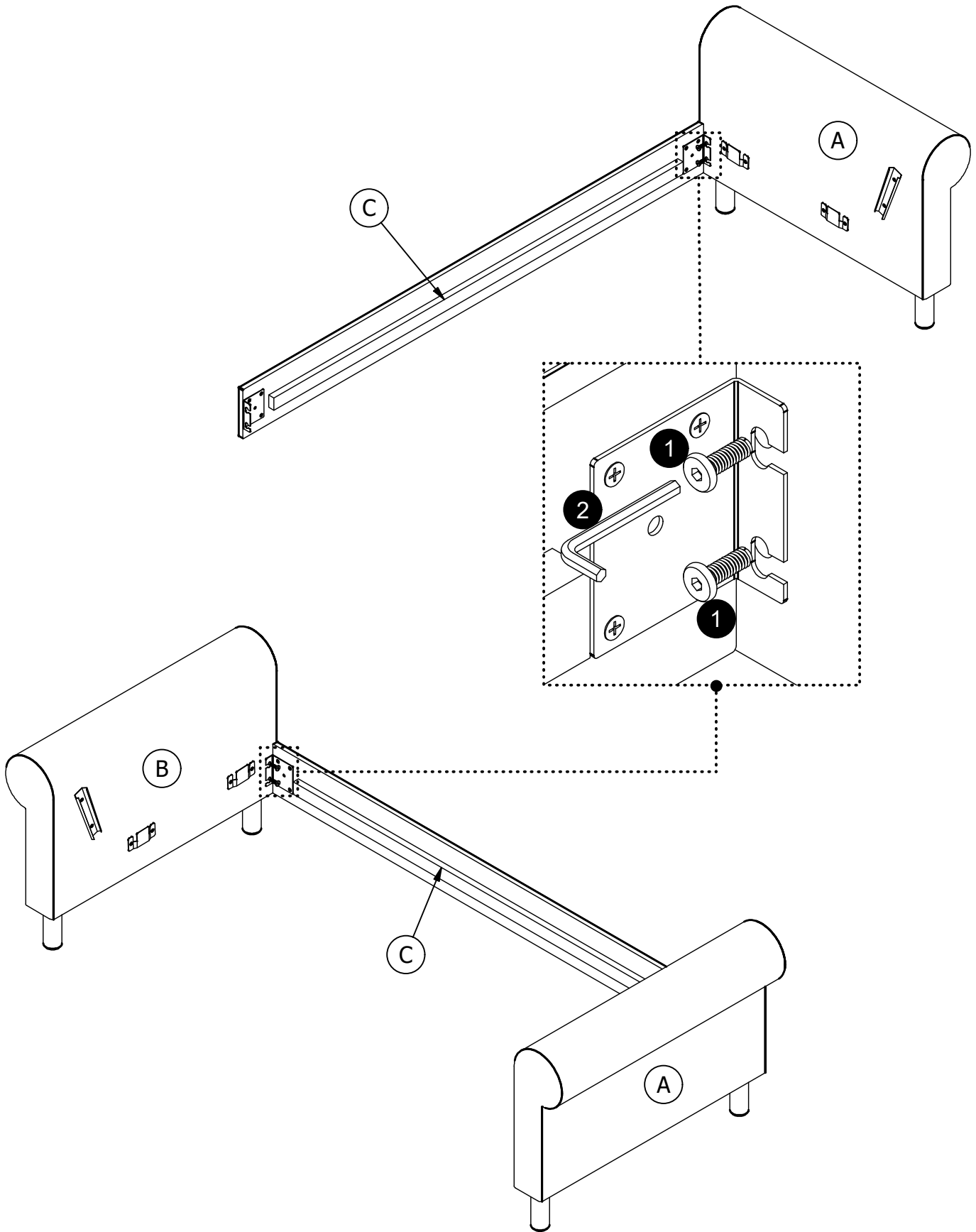


Please remove the protective cap on the tip of thread before assembling.

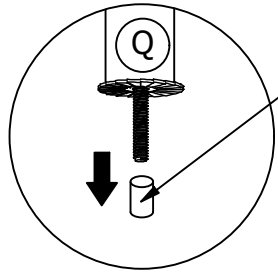


STEP 2:

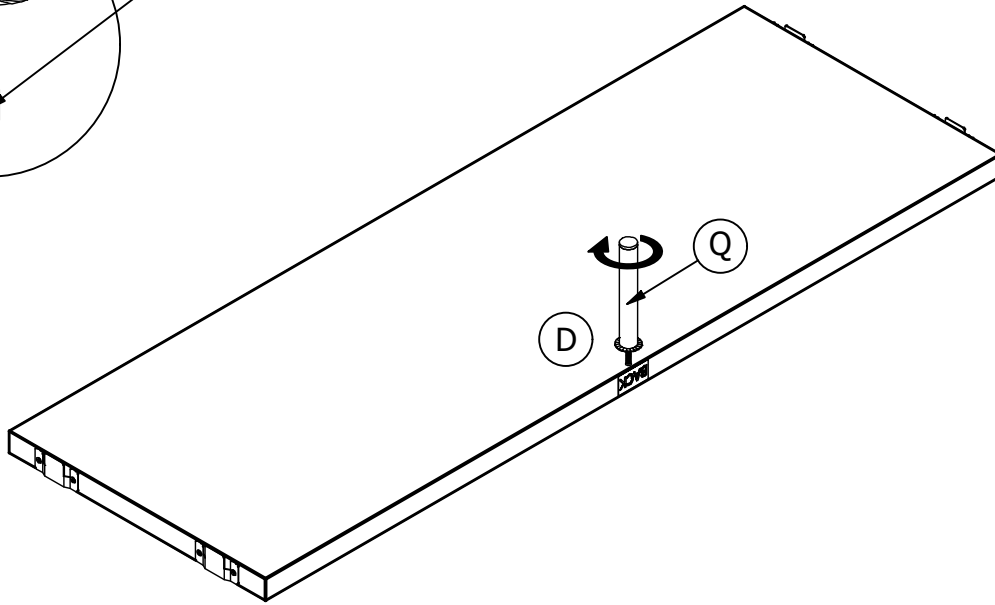
Attach Front Rail **C** to Armrest **A** & **B** with Bolt **1** using the brackets on Front Rail **C**, as shown.



STEP 3: Manually screw Support Leg **Q** to Seat Panel **D**, as shown.



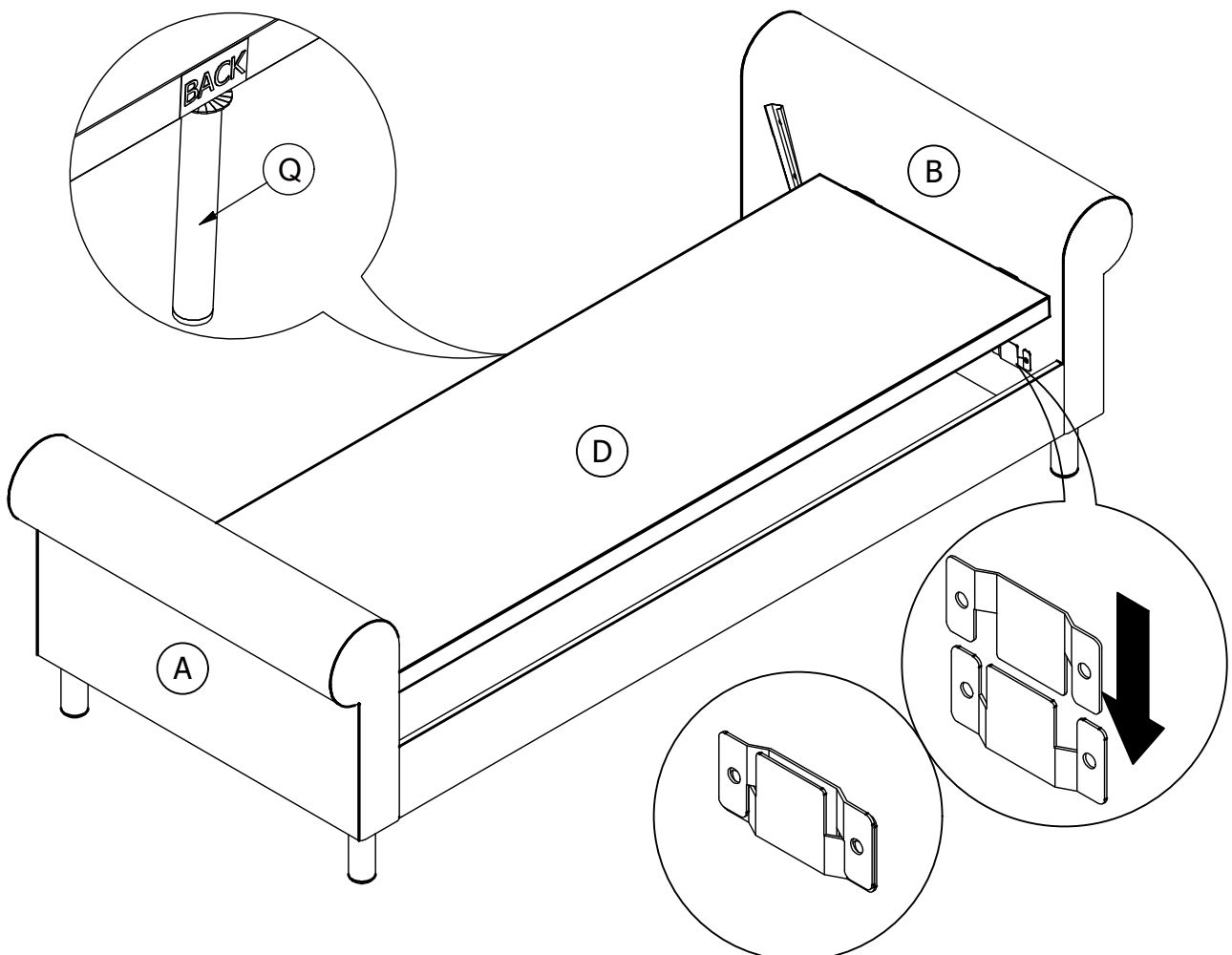
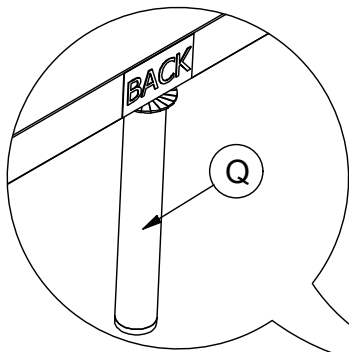
⚠ Please remove the protective cap on the tip of thread before assembling.



STEP 4:

Attach Seat Panel **D** to Armrest **A** & **B** by inserting the metal brackets on Seat Panel **D** into the metal glides on Armrest **A** & **B**, as shown.

Push Seat Panel **D** with a downward force to secure it into place.

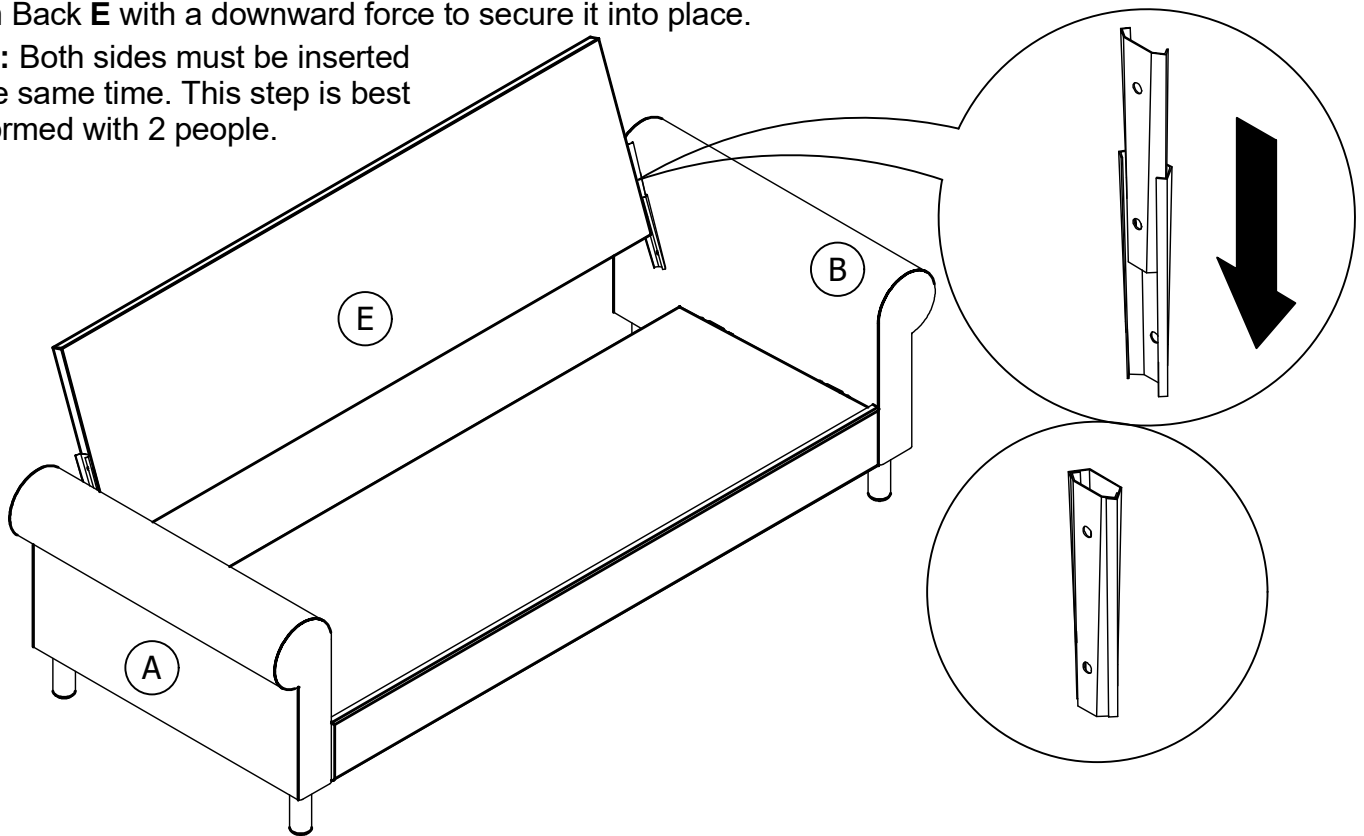


STEP 5:

Attach Back **E** to Armrest **A** & **B** by inserting the brackets on Back **E** into the metal glides on Armrest **A** & **B**.

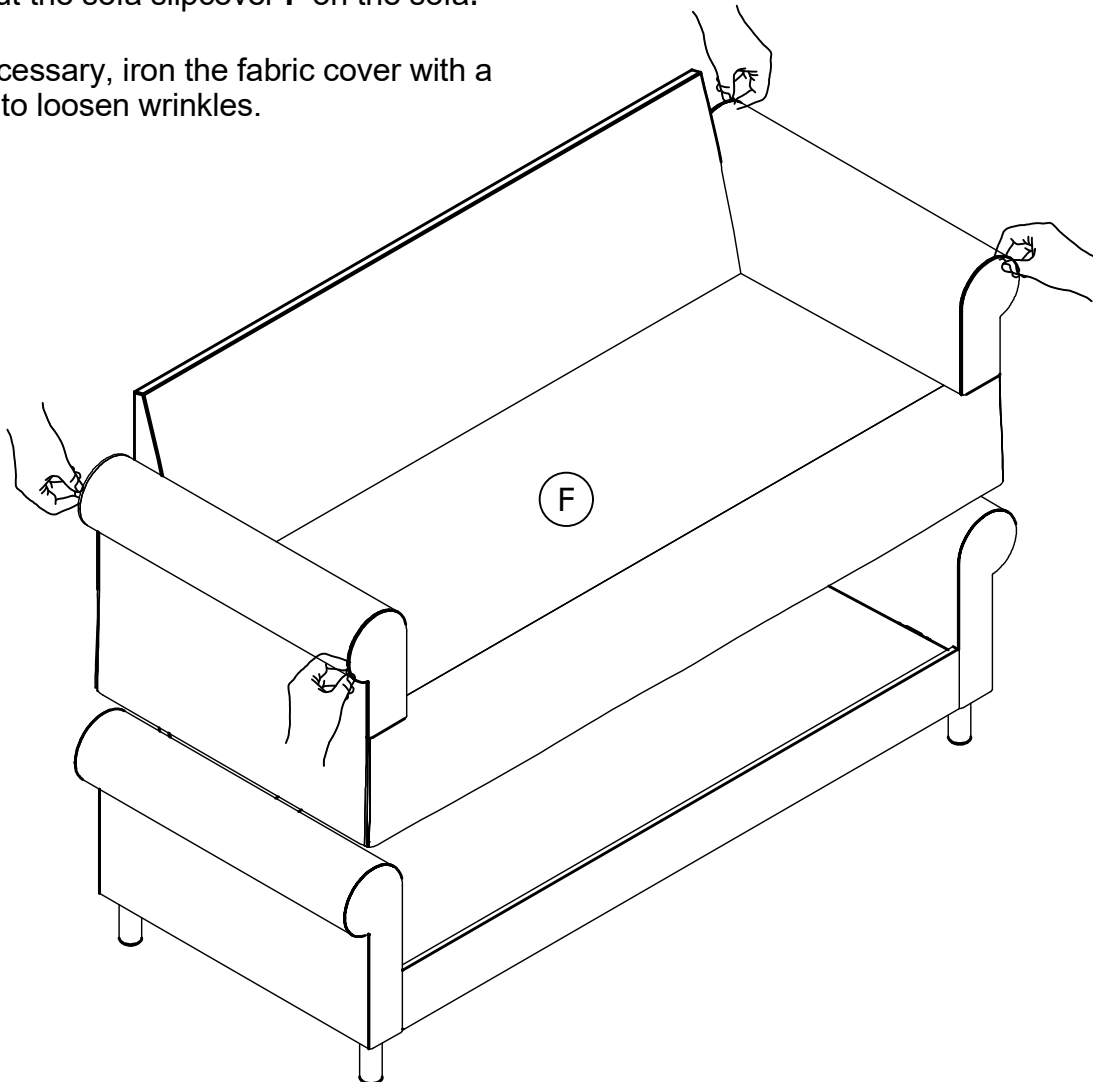
Push Back **E** with a downward force to secure it into place.

Note: Both sides must be inserted at the same time. This step is best performed with 2 people.



STEP 6: Put the sofa slipcover **F** on the sofa.

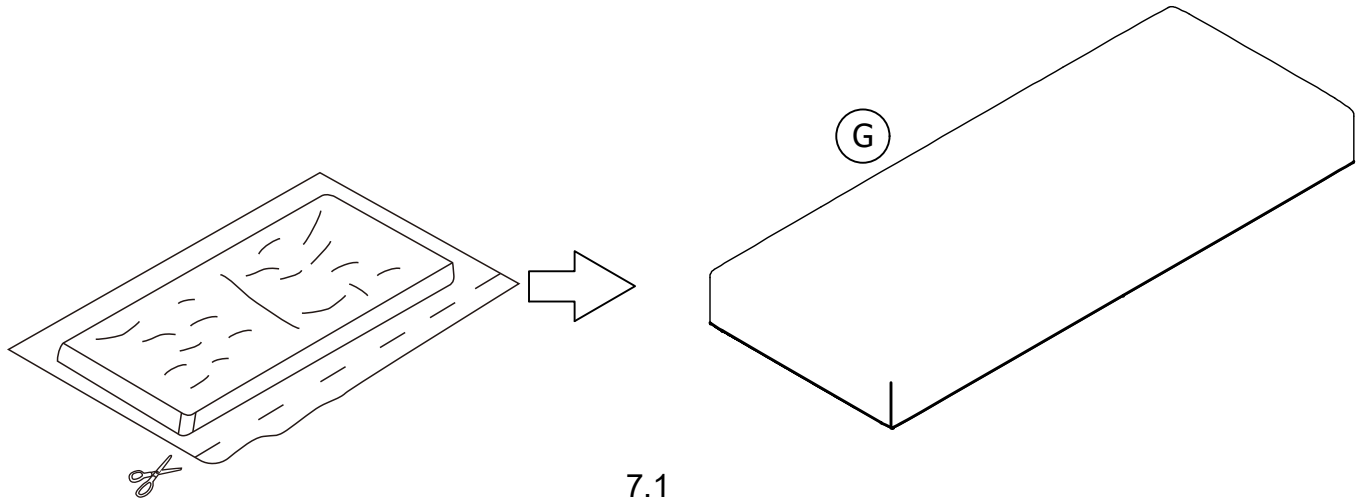
Note: If necessary, iron the fabric cover with a steam iron to loosen wrinkles.



Step 7:

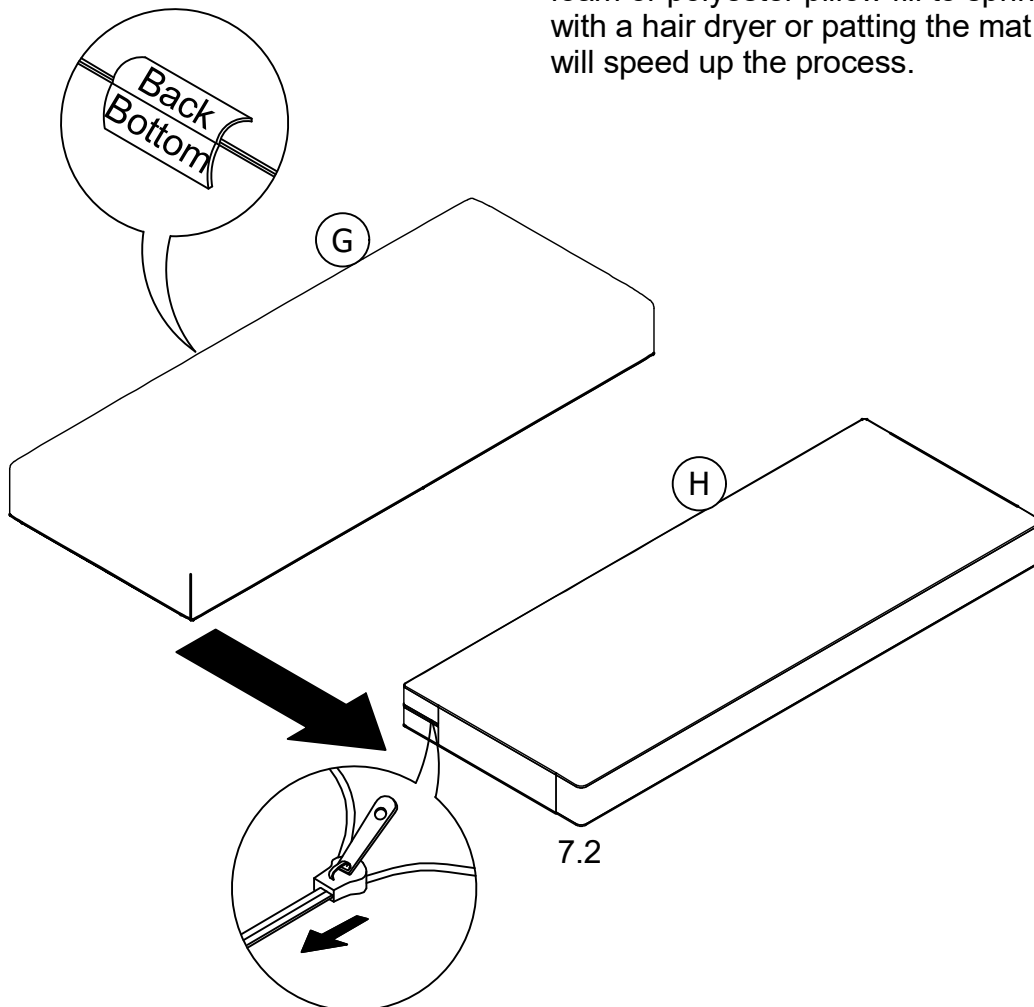
7.1 Remove Seat Cushion **G** from its vacuumed sealed package.

7.2 Open the zipper on Seat Slipcover **H** and insert Seat Cushion **G** into Seat Slipcover **H** following the orientation as indicated in left view, close the zipper.



7.1

NOTE: If necessary, iron the fabric cover with a steam iron to loosen wrinkles. After unpacking all components, allow 72 hours for the compressed foam or polyester pillow fill to spring back. Blowing with a hair dryer or patting the mat with your hands will speed up the process.



7.2

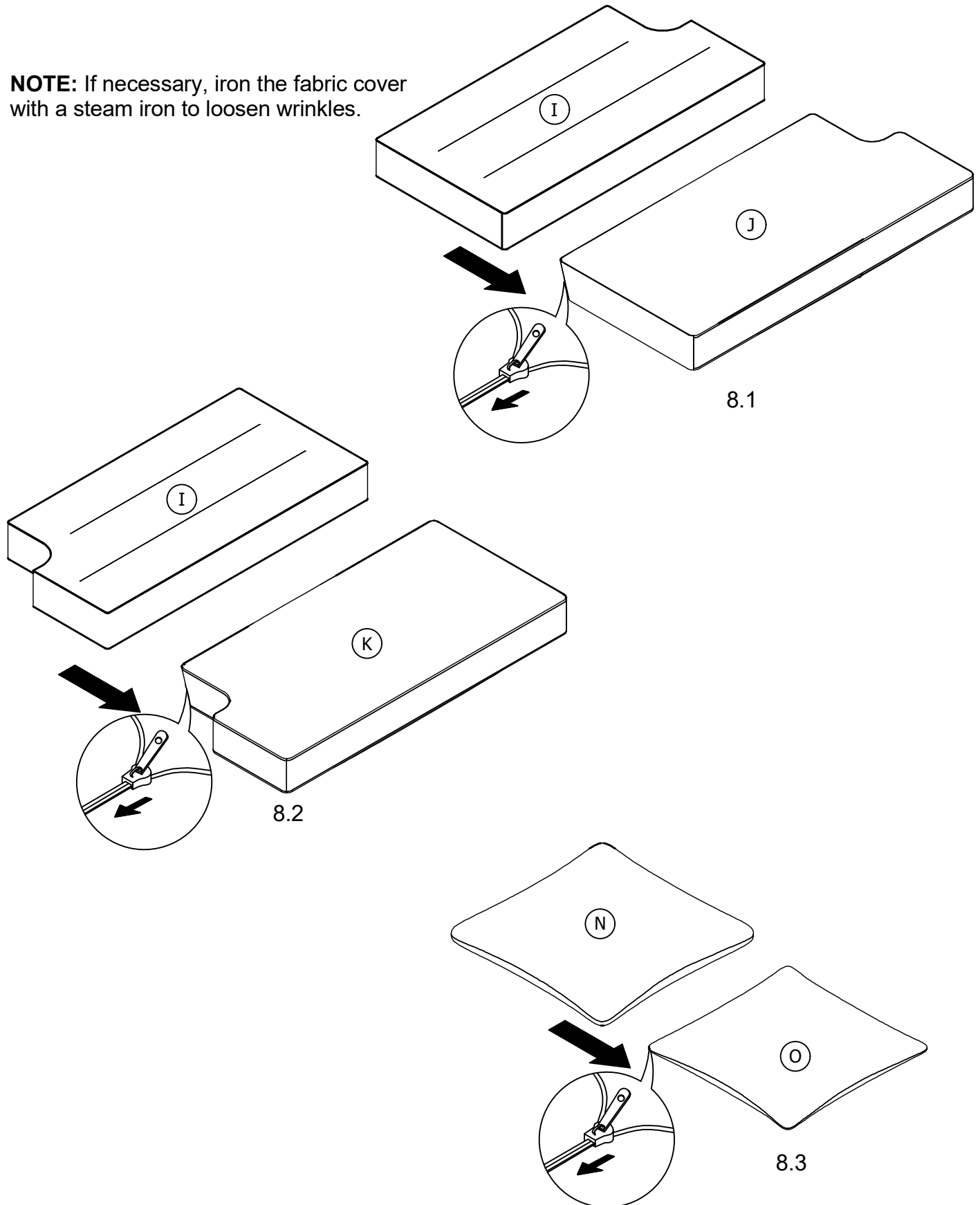
Step 8:

8.1 Open the zipper on Back Slipcover **J** and insert Back Cushion **I** into Back Slipcover **J** following the orientation as indicated in left view, close the zipper.

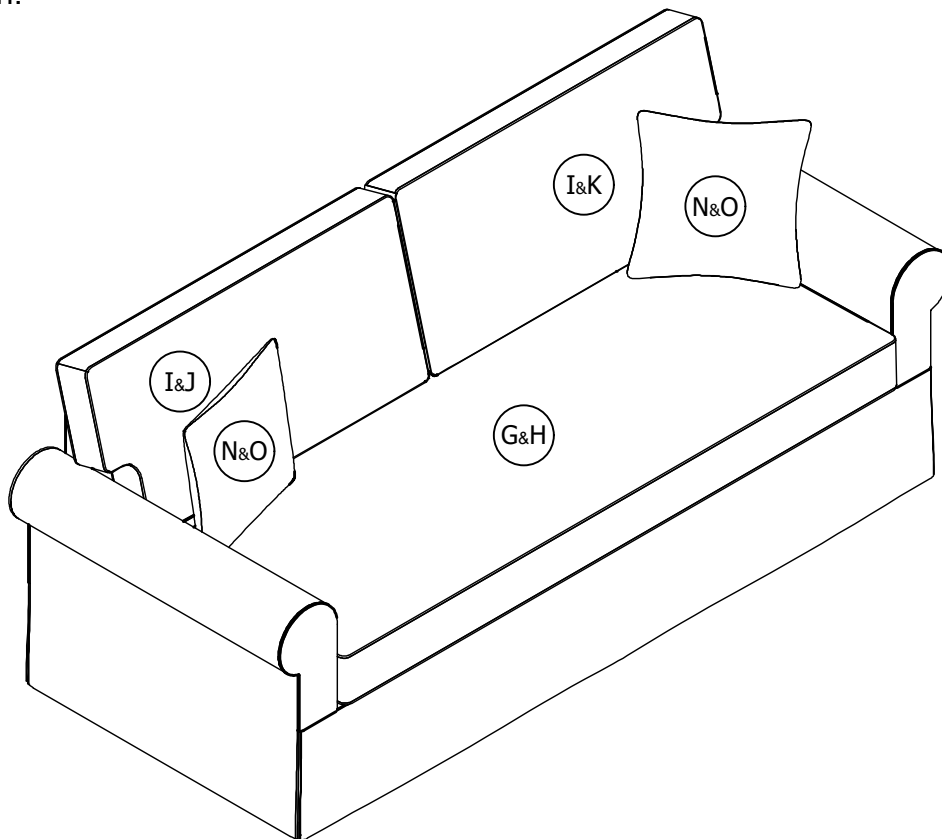
8.2 Open the zipper on Back Slipcover **K** and insert Back Cushion **I** into Back Slipcover **K**, close the zipper.

8.3 Open the zipper on Pillow Slipcover **O** and insert Pillow **N** x 2 into Pillow Slipcover **O** x 2, close the zipper.

NOTE: If necessary, iron the fabric cover with a steam iron to loosen wrinkles.



Step 9: Place Seat Cushion (G & H), Back Cushion (I & J), (I & K) and Pillow (N & O) x 2 onto the sofa, as shown.



Helpful Hints

- Move your new furniture carefully, with two people lifting and carrying the unit to its new location.
- Your furniture can be disassembled and reassembled to move.
- Clean the product with a soft damp cloth. DO NOT use harsh chemicals or abrasive cleaners.
- For further information please contact at sales4@jsanyee.com

