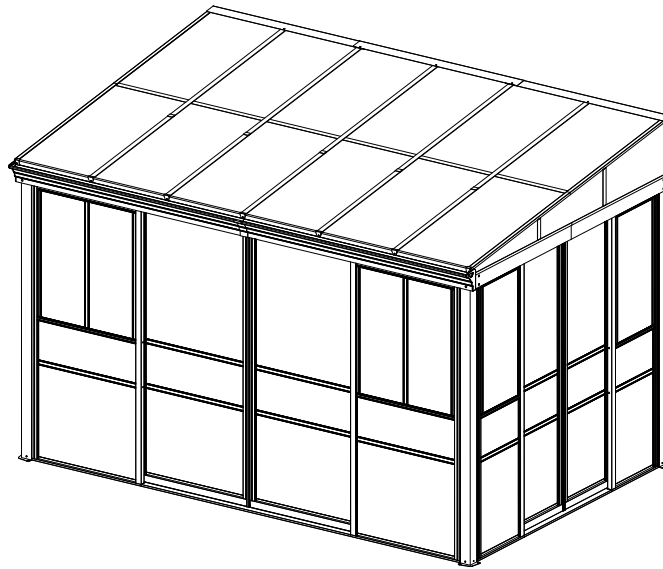
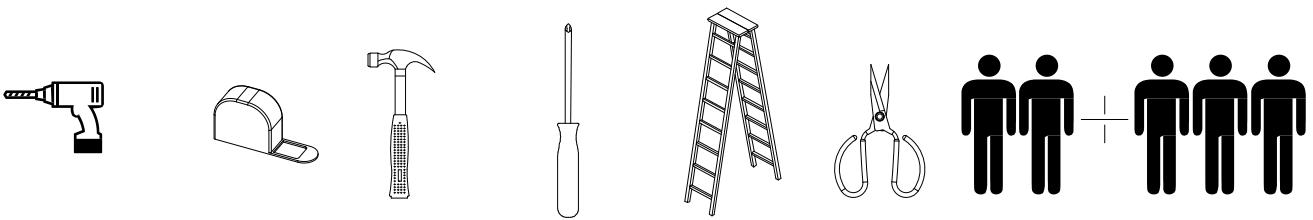


8 x 12 FT

WQOT302



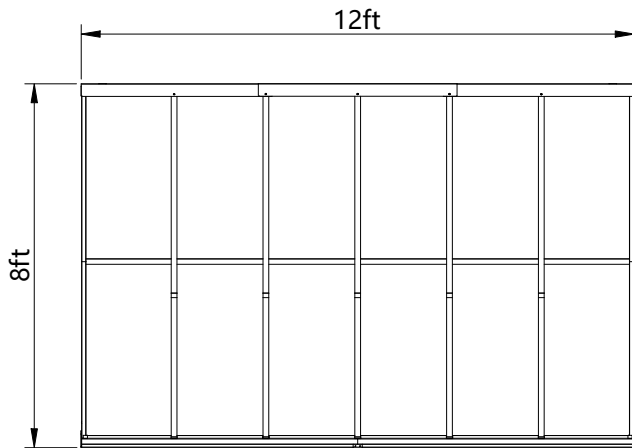
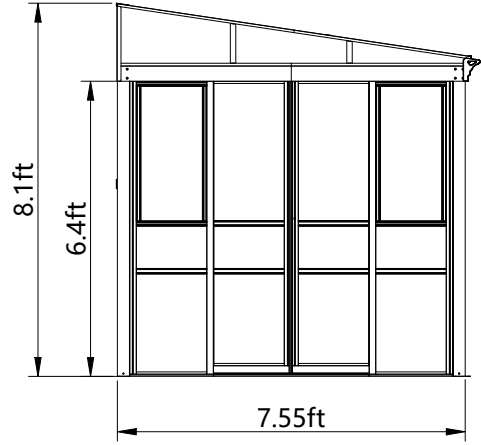
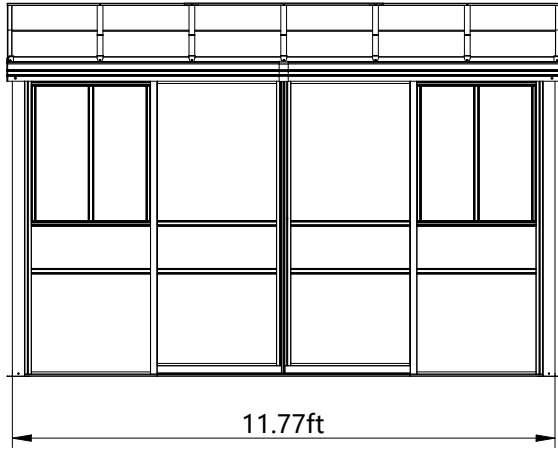
Note: The gazebo needs to be installed in cooperation with five people.
The following tools are not included and needed for assembly:



Pistol Drill Tape Measure Hammer Screwdriver Ladder Scissor 5 People

ATTENTION:

1. Please check the manual carefully and make sure you have received all the parts.
2. If any parts are missing, please let us know the letter marked on the part.
3. If any parts are damaged, please send us clear photos. We will review them and provide the best solution as soon as possible.
4. If you have any problems, please feel free to contact us. Our professional customer service and after-sales team are always ready to help you.
5. You can reach us via email at customer01service@hotmail.com.



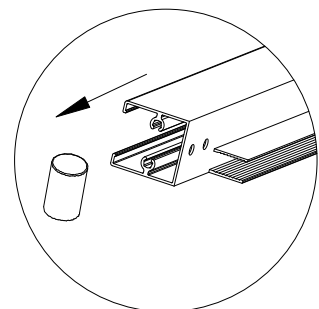
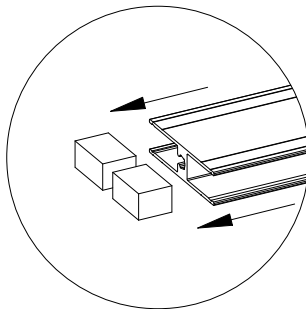
Box A		Box B		Box C	
Part #	Qty	Part #	Qty	Part #	Qty
ⓐ	1	Ⓐ	1	Ⓐ-1	1
ⓐ-1	1	Ⓐ-1	1	Ⓛ	1
ⓐ	1	Ⓐ	2	Ⓛ	1
ⓐ-1	1	Ⓐ-1	1	Ⓛ-1	1
ⓐ	1	Ⓑ	1	Ⓛ	1
ⓐ-1	1	Ⓑ-1	1	Ⓛ-1	1
ⓐ	2	Ⓑ	2	1Ⓑ	3
ⓐ-1	2	Ⓑ-1	2	2Ⓑ	3
ⓐ	1	Ⓕ	5	5Ⓑ	3
ⓐ-1	1	Ⓖ	5	6Ⓑ	3
ⓐ	1	4ⓙ	2	1Ⓓ	3
ⓐ-1	1	1Ⓚ	2	2Ⓓ	3
ⓐ	4	4Ⓚ	4	1Ⓒ	3
ⓐ	4	Bags for screws: 1-18	1	2Ⓒ	3
ⓐ	6	Instructions	1	4Ⓛ	8
ⓐ	2			1Ⓜ	2
ⓐ	2			4Ⓜ	4
1Ⓐ	3				
2Ⓐ	3				
1Ⓕ	3				
1Ⓕ	2				
4Ⓕ	4				
1ⓙ	1				
1Ⓝ	1				
4Ⓝ	2				
1Ⓟ	2				
4Ⓟ	4				

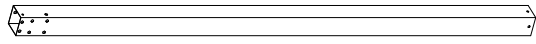
Box D	
Part #	Qty
I3	2
I4	2
J	2
J1	2
K	1
P	1
P1	2
P2	4
P3	3
Q2	22
Q3	2
U1	3
U2	3
U3	3
U4	3
V1	1
V2	1
V3	5
W	2
X1	6
X2	19
X3	1
N1	1
N2	1
D1	24
D2	48
D3	12

D4	12																								
D5	12																								
1R	12																								
2R	4																								
5R	8																								
R5	1																								
R5-1	1																								
R6	1																								
R6-1	1																								
Z2	12																								
3-1	12																								
4-1	12																								
5-1	2																								
15	1																								
<table border="1"> <tr><td colspan="6">8x12</td></tr> <tr><td>AB</td><td>AB</td><td>AC</td><td>BA</td><td>BA</td><td>CA</td></tr> <tr><td>AD</td><td>AD</td><td>AE</td><td>DA</td><td>DA</td><td>EA</td></tr> <tr><td>AF</td><td>AF</td><td>AF</td><td>AF</td><td>AG</td><td>AG</td></tr> </table>	8x12						AB	AB	AC	BA	BA	CA	AD	AD	AE	DA	DA	EA	AF	AF	AF	AF	AG	AG	1
8x12																									
AB	AB	AC	BA	BA	CA																				
AD	AD	AE	DA	DA	EA																				
AF	AF	AF	AF	AG	AG																				

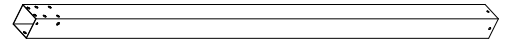
Box E	
Part #	Qty
1E	12
1G	2
2G	8
5G	16
1L	4
R4	1
R4-1	1
T	2
T1	4
T2	4
T3	2
T4	2
W	4
W1	4
W2	8
W3	4
W4	4
4S	4
2S	2

Remove the plastic packing blocks from both ends of profiles 1E, 1G, 2G, 5G, 1L, 4L, 1H and 4H.

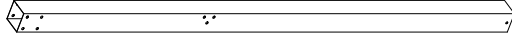




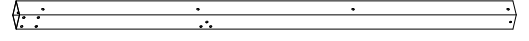
C1 1x



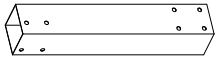
C1-1 1x



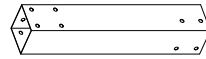
C2 1x



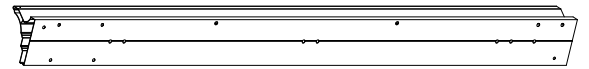
C2-1 1x



C4 1x



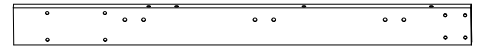
C4-1 1x



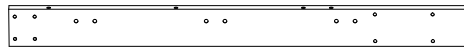
A1 1x



A1-1 1x



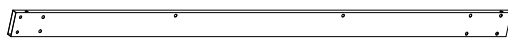
A3 2x



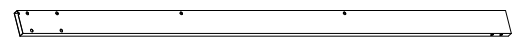
A3-1 2x



B1 1x



B1-1 1x



B2 2x



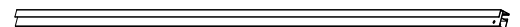
B2-1 2x



O2 2x

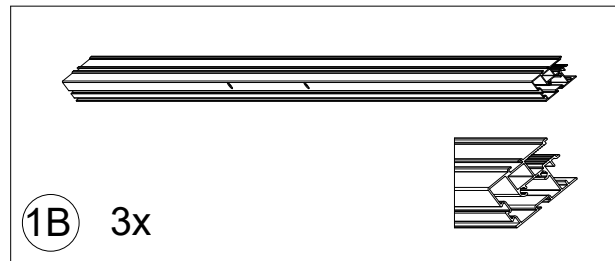
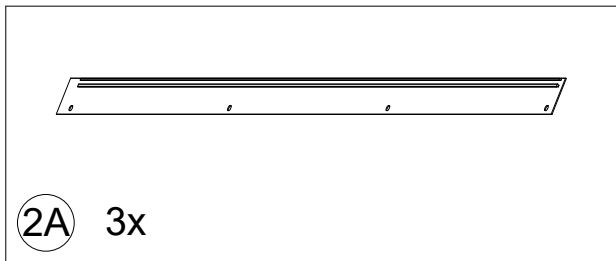
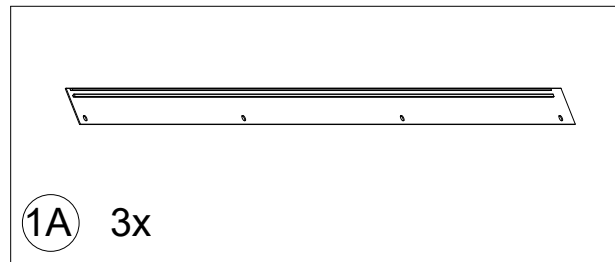
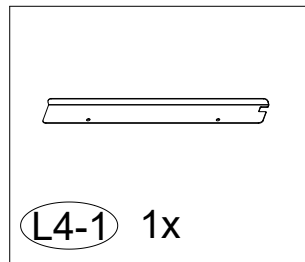
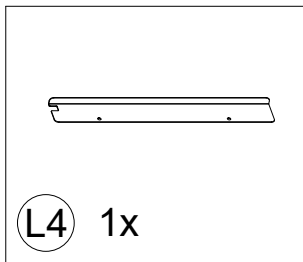
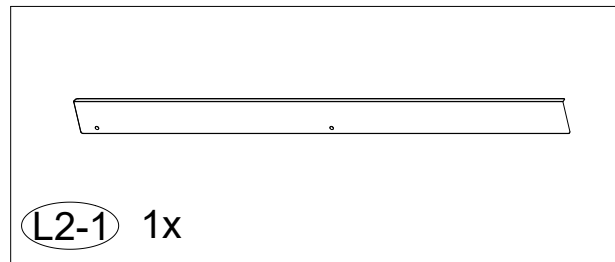
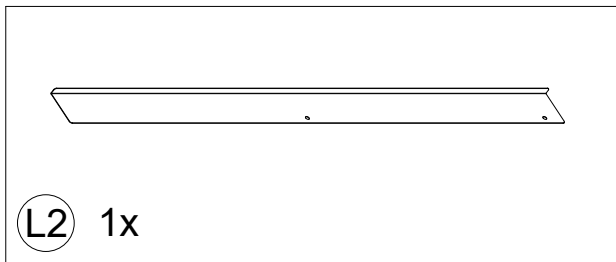
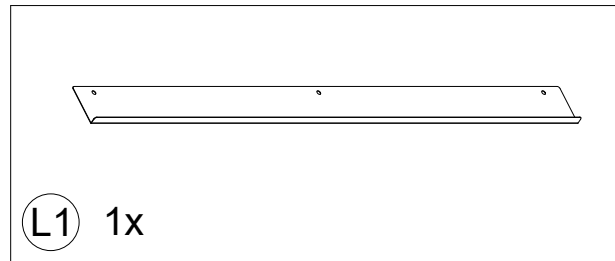
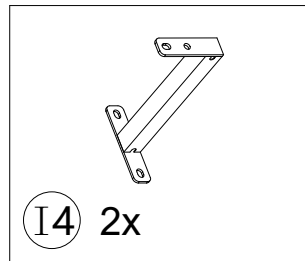
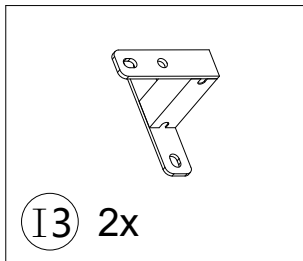
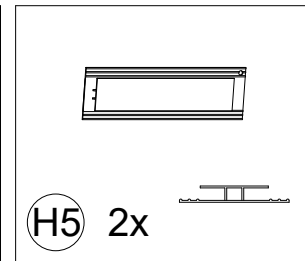
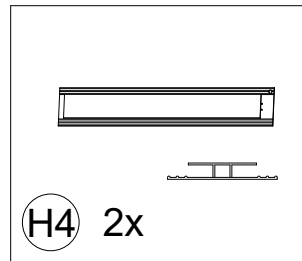
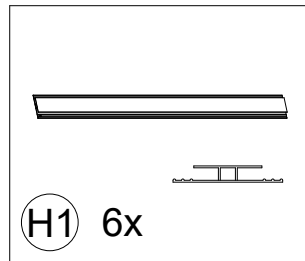
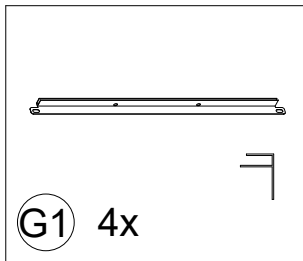
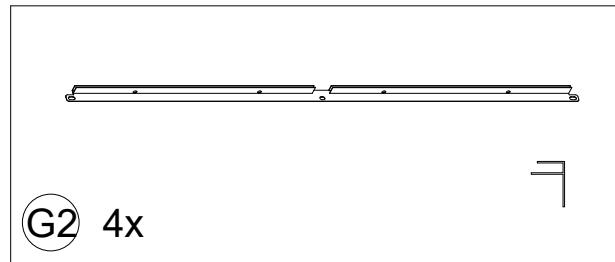
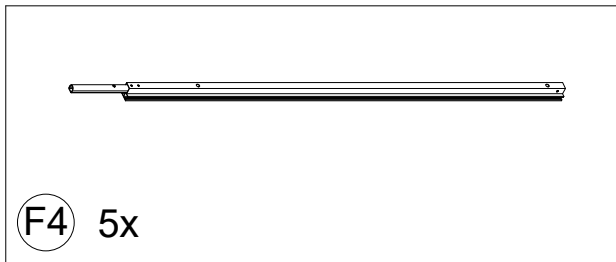
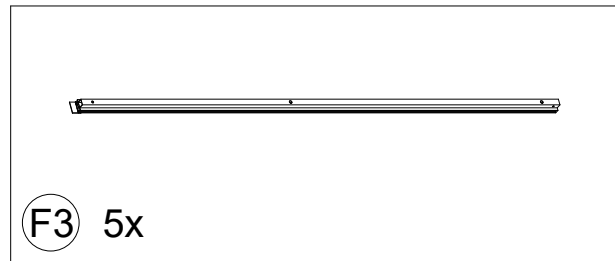
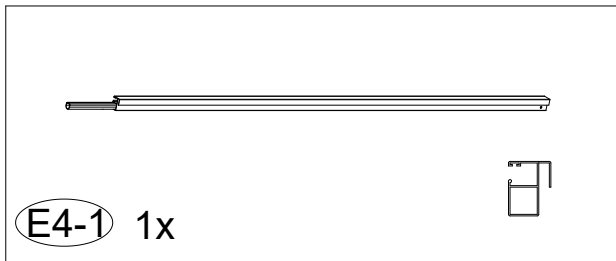
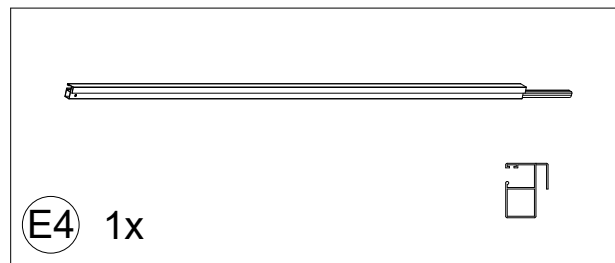
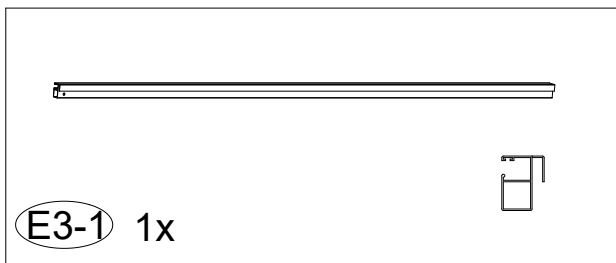


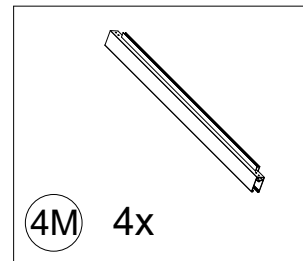
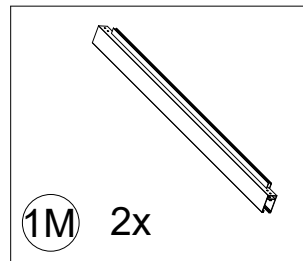
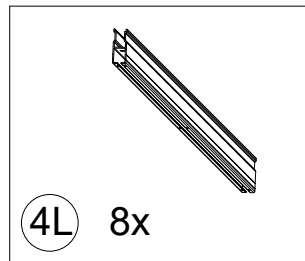
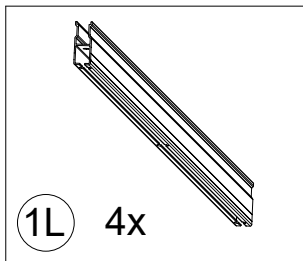
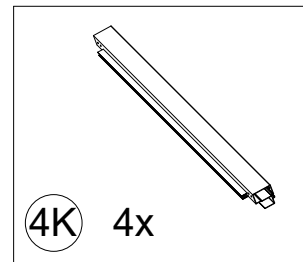
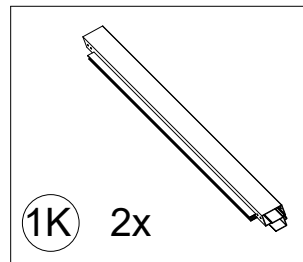
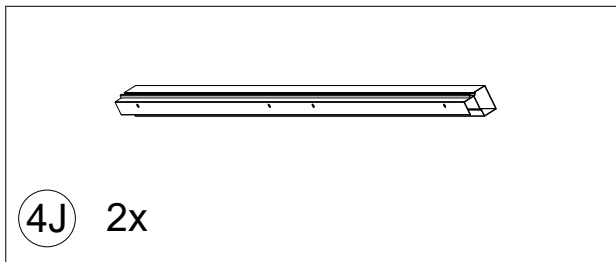
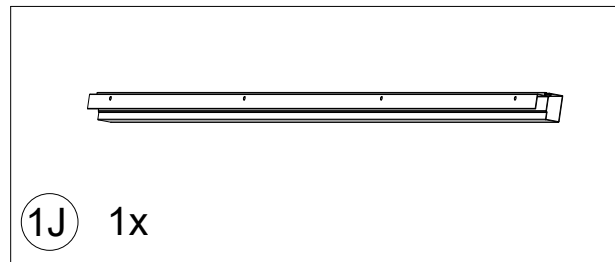
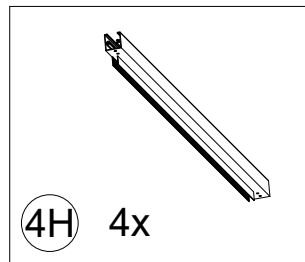
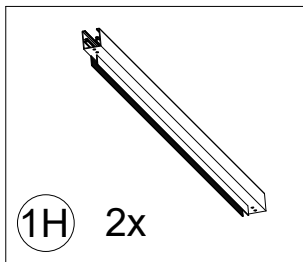
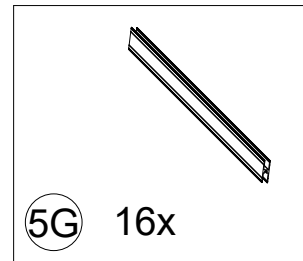
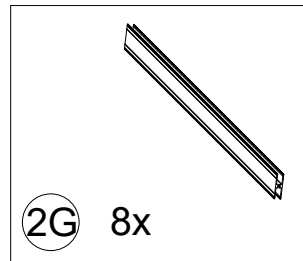
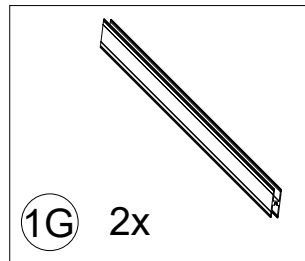
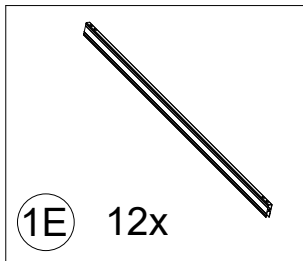
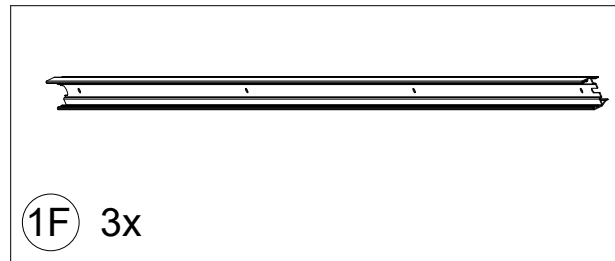
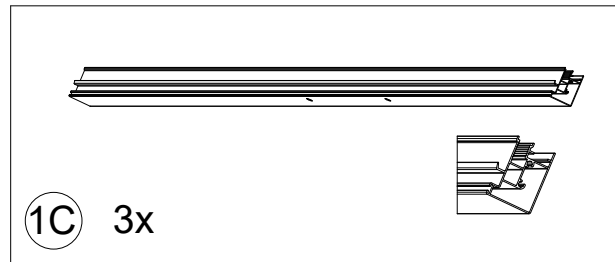
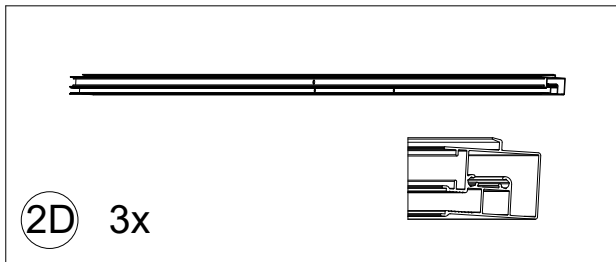
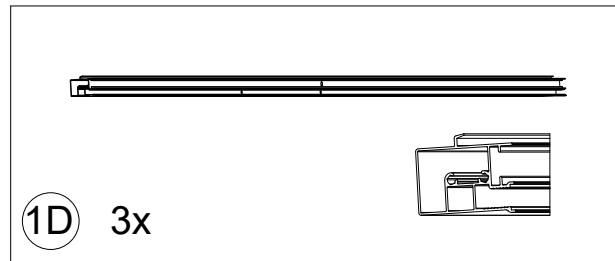
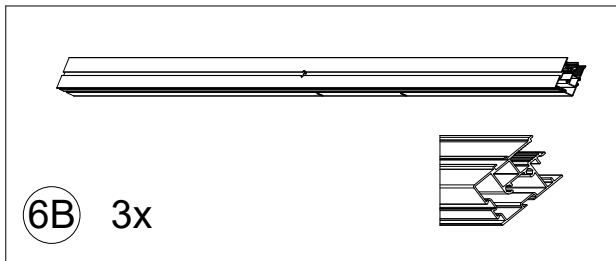
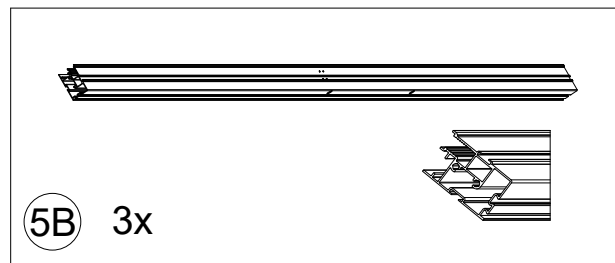
O2-1 2x

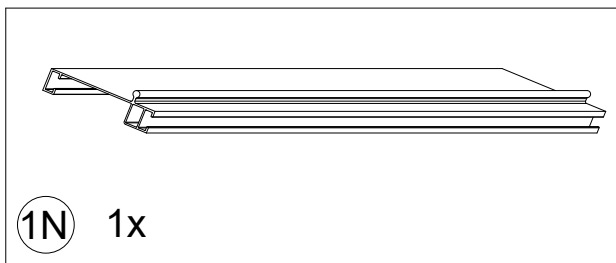


E3 1x

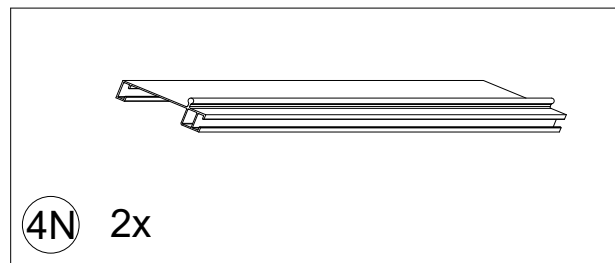




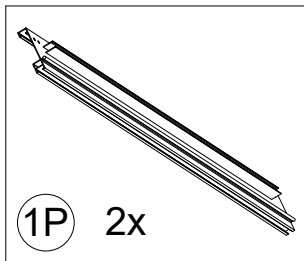




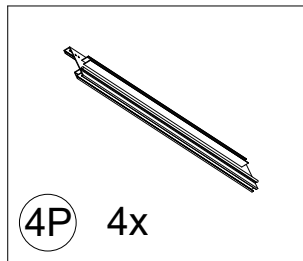
1N 1x



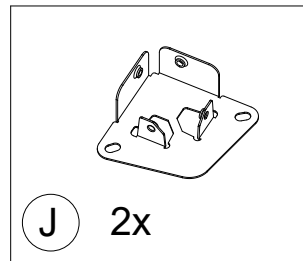
4N 2x



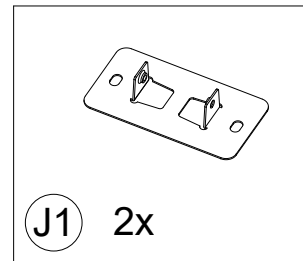
1P 2x



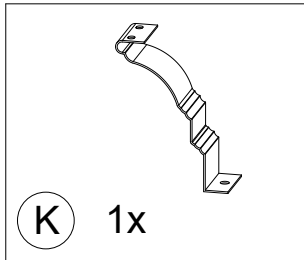
4P 4x



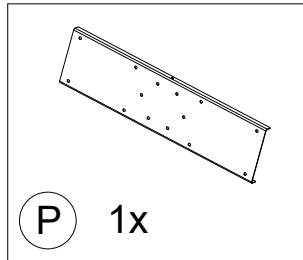
J 2x



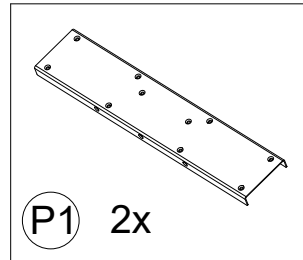
J1 2x



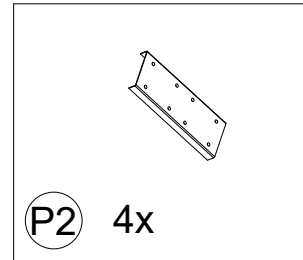
K 1x



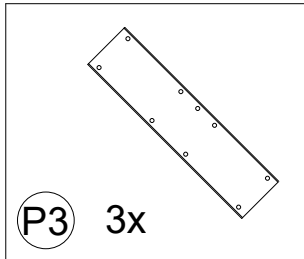
P 1x



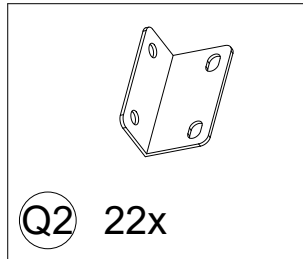
P1 2x



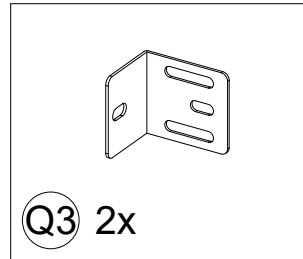
P2 4x



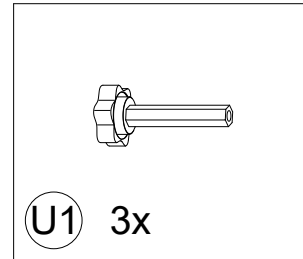
P3 3x



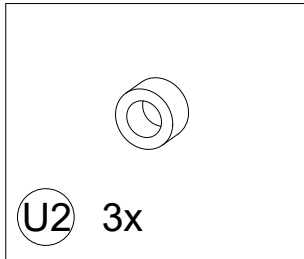
Q2 22x



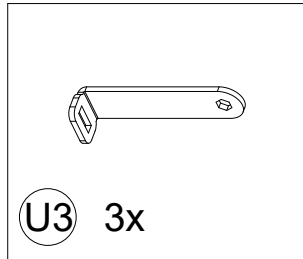
Q3 2x



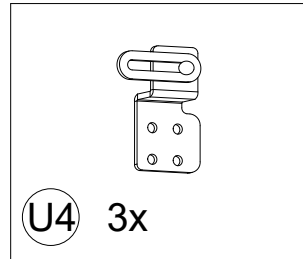
U1 3x



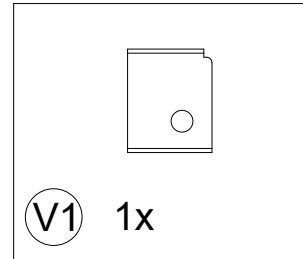
U2 3x



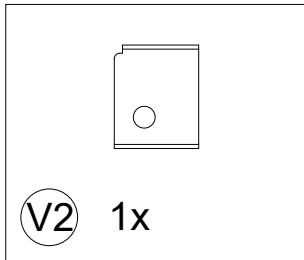
U3 3x



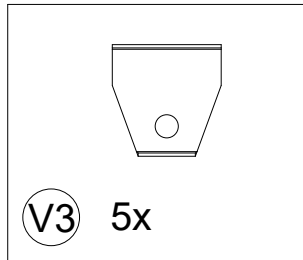
U4 3x



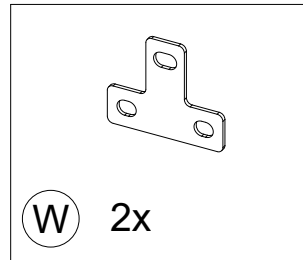
V1 1x



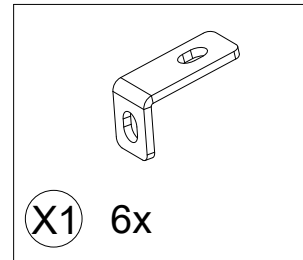
V2 1x



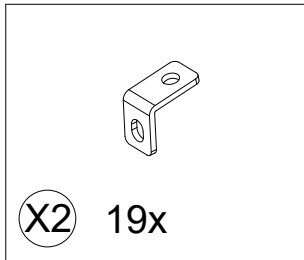
V3 5x



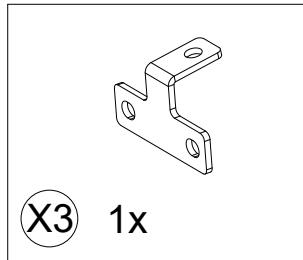
W 2x



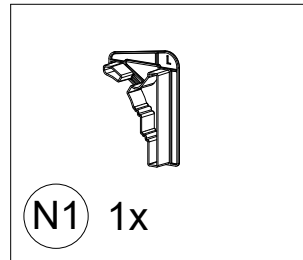
X1 6x



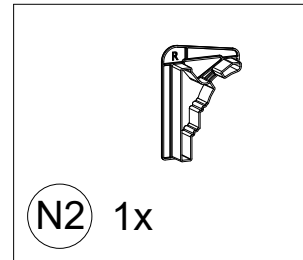
X2 19x



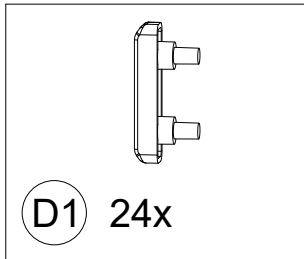
X3 1x



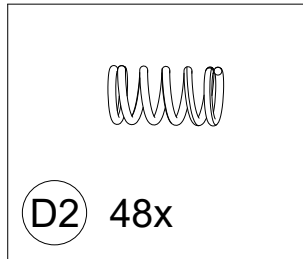
N1 1x



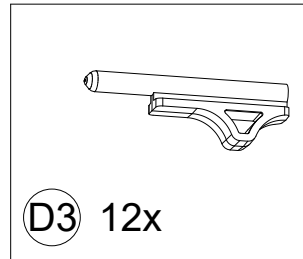
N2 1x



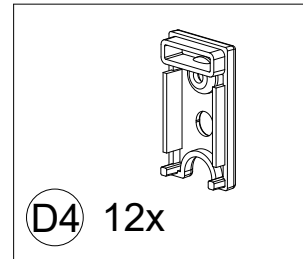
D1 24x



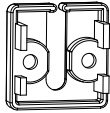
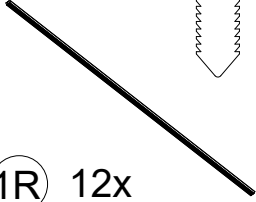

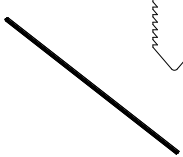


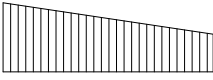
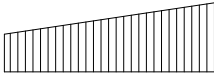
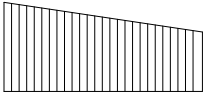
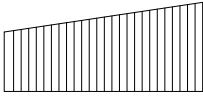
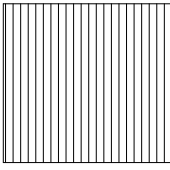
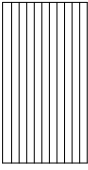
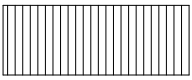
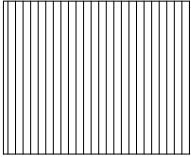
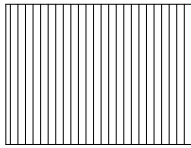
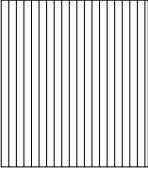
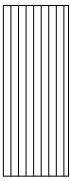
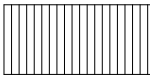
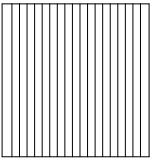
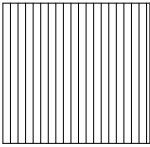
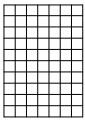
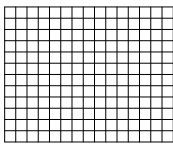
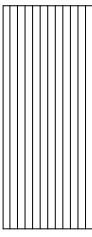
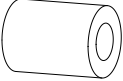
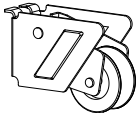

D2 48x






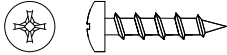
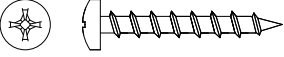
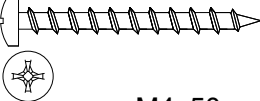
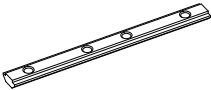

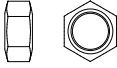

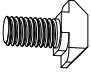



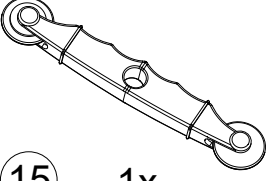
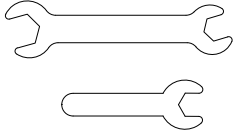


D3 12x



D4 12x

 D5 12x	 1R 12x	 2R 4x	 5R 8x
 R4 1x	 R4-1 1x	 R5 1x	 R5-1 1x
 R6 1x	 R6-1 1x	 T 2x	 T1 4x
 T2 4x	 T3 2x	 T4 2x	 W 4x
 W1 4x	 W2 8x	 W3 4x	 W4 4x
 4S 4x	 2S 2x	 Z2 12x	 6.2*11*15 3-1 12x
 4-1 12x	 5-1 2x		

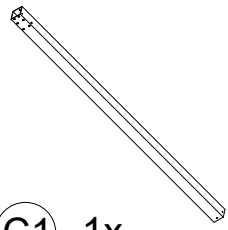
Bags of Screws

 M6x15 1 293x	 2 22x	 ST 4.8x12 3 14x	 M4x20 4 120x
 M4x35 5 40x	 M4x50 6 48x	 7 18x	 M5x6 8 72x
 M6 9 12x	 M5 10 36x	 M5x12 11 36x	 12 10x
 M5x15 13 12x	 M4x12 14 3x	 15 1x	 16 1x
 4mm 17 2x	 2.5mm 18 2x		

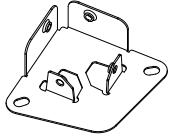
AB	AB	AC	BA	BA	CA
AD	AD	AE	DA	DA	EA
AF	AF	AF	AF	AG	AG

letter sticker 1x

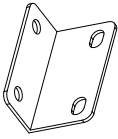
<1>



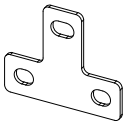
C1 1x



J 1x



Q2 1x

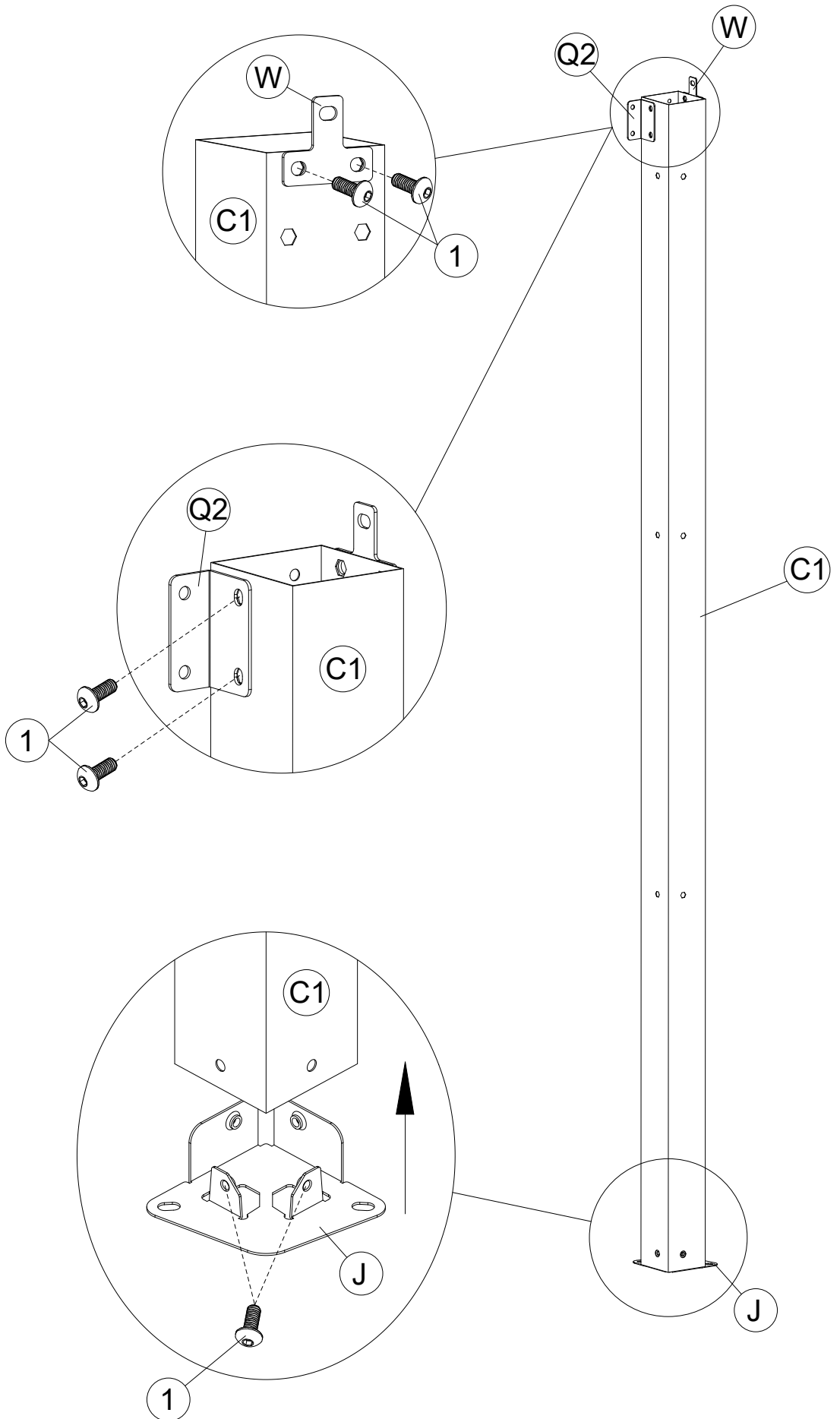


W 1x

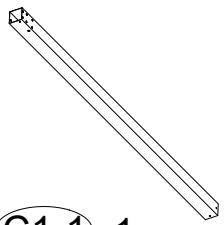


M6x15

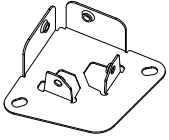
1 6x



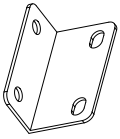
<2>



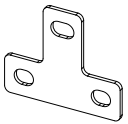
C1-1 1x



J 1x



Q2 1x

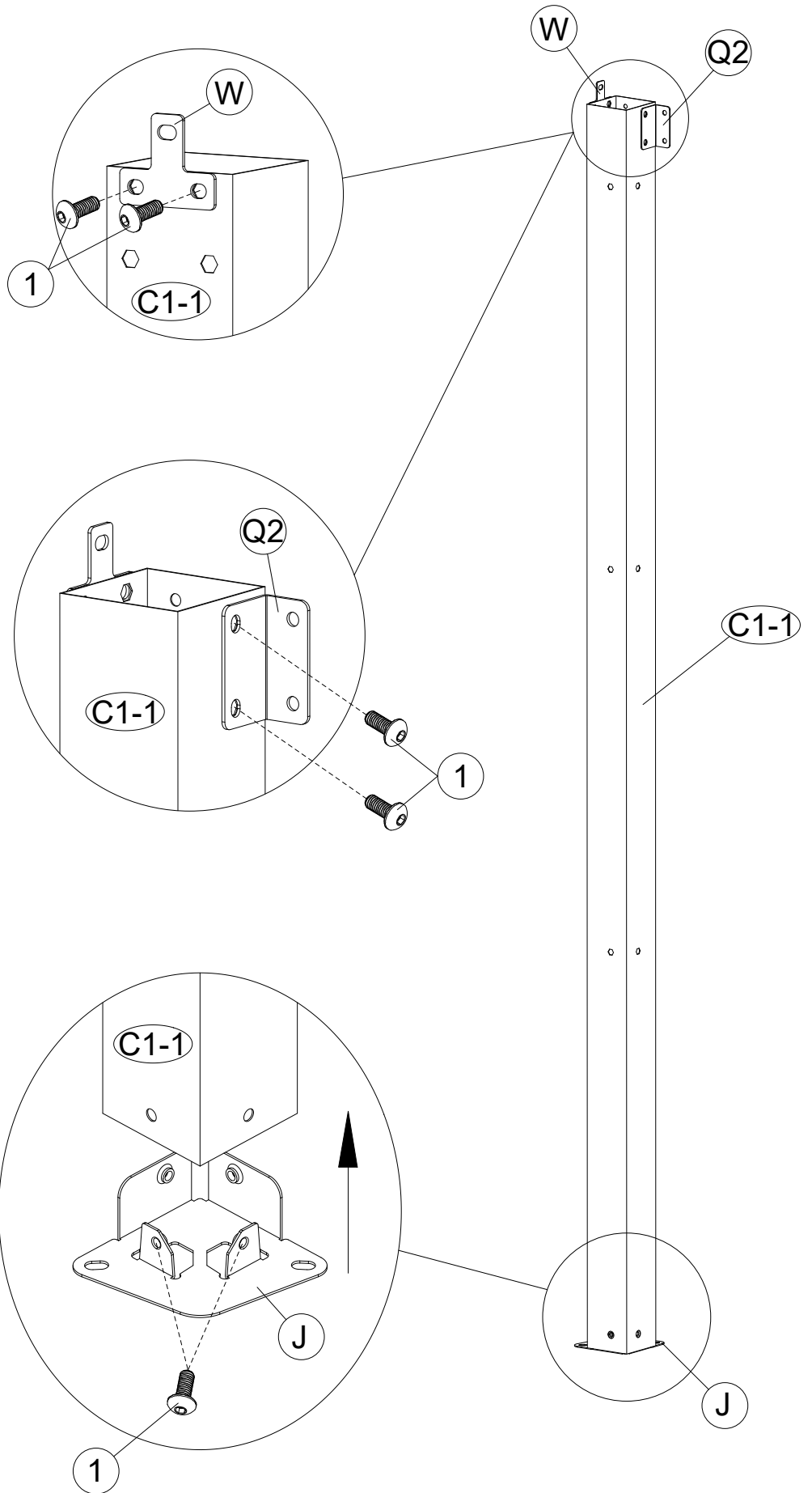


W 1x

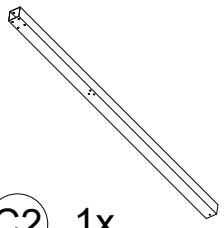


M6x15

1 6x



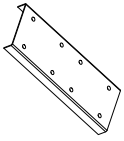
<3>



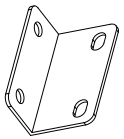
C2 1x



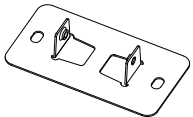
C4 1x



P2 2x



Q2 1x

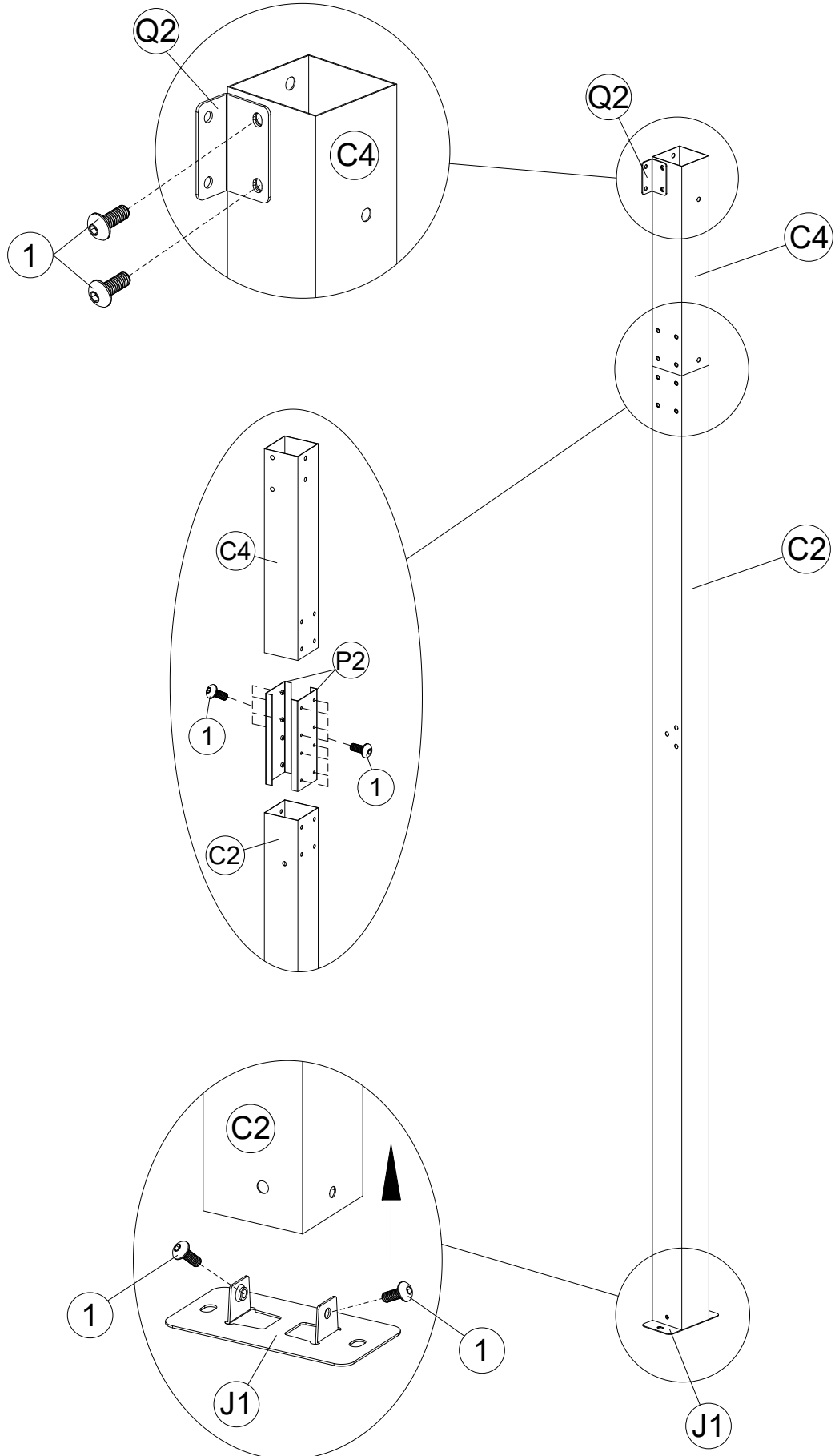


J1 1x

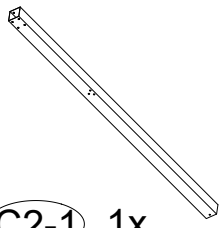


M6x15

1 16x



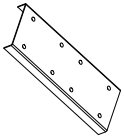
<4>



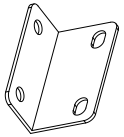
C2-1 1x



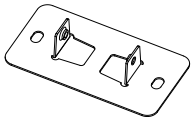
C4-1 1x



P2 2x



Q2 1x

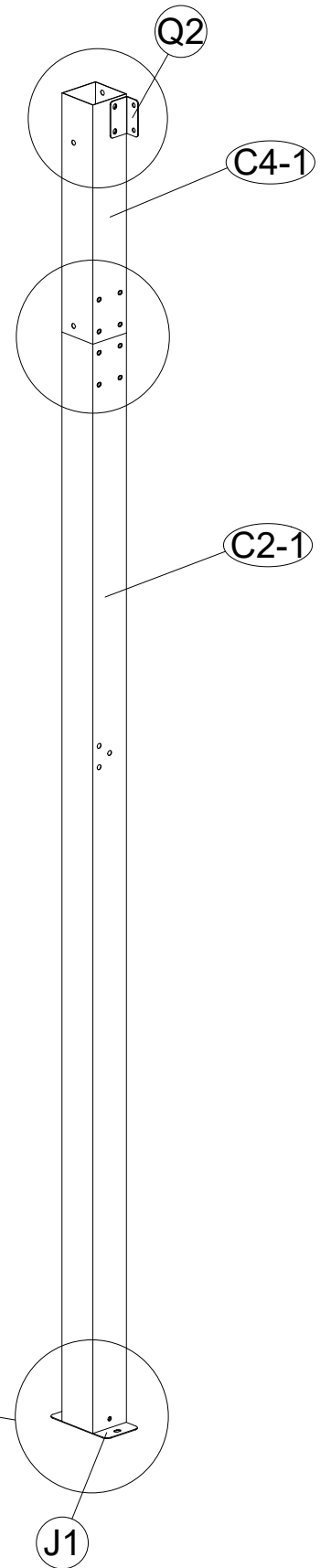
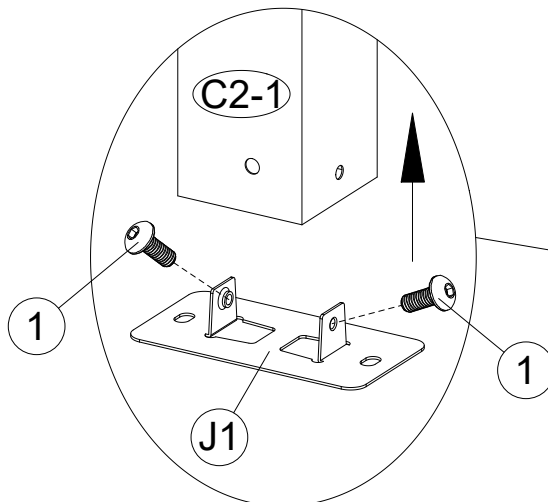
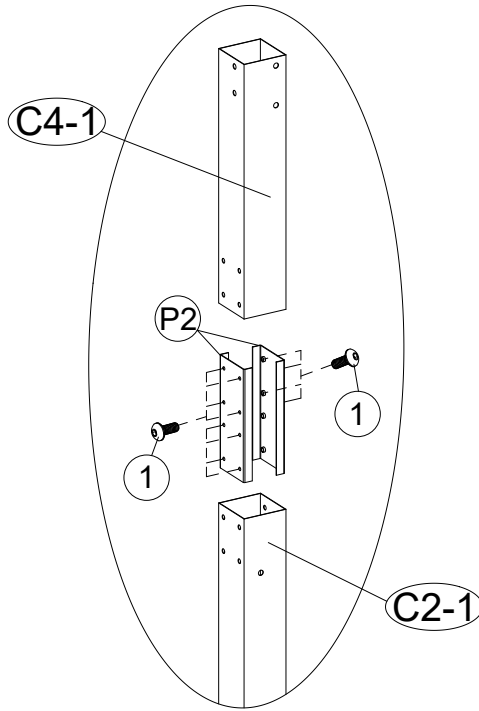
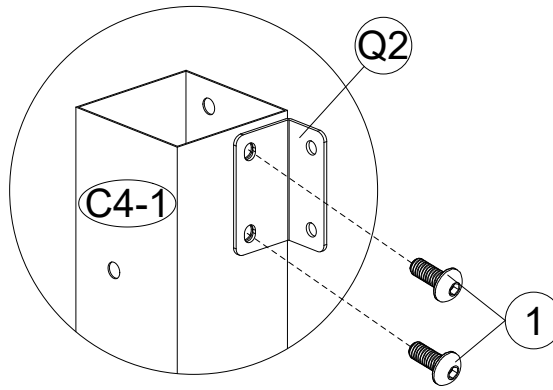


J1 1x

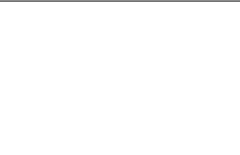
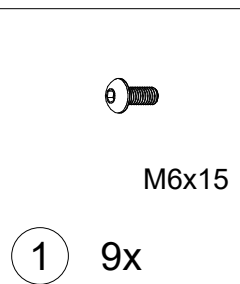
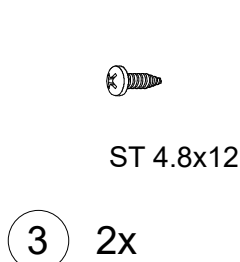
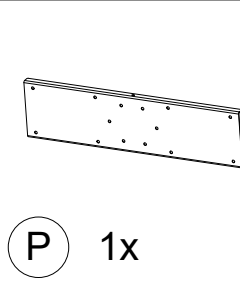
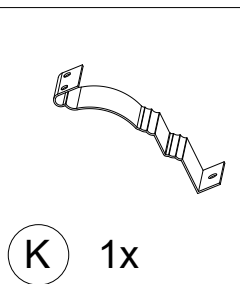
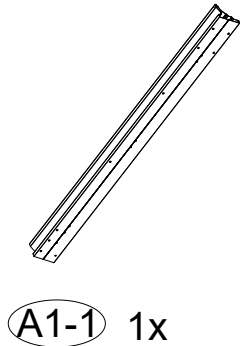
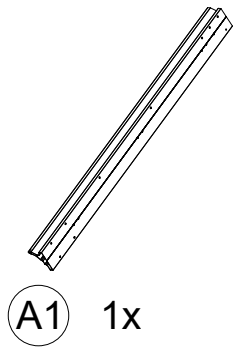


M6x15

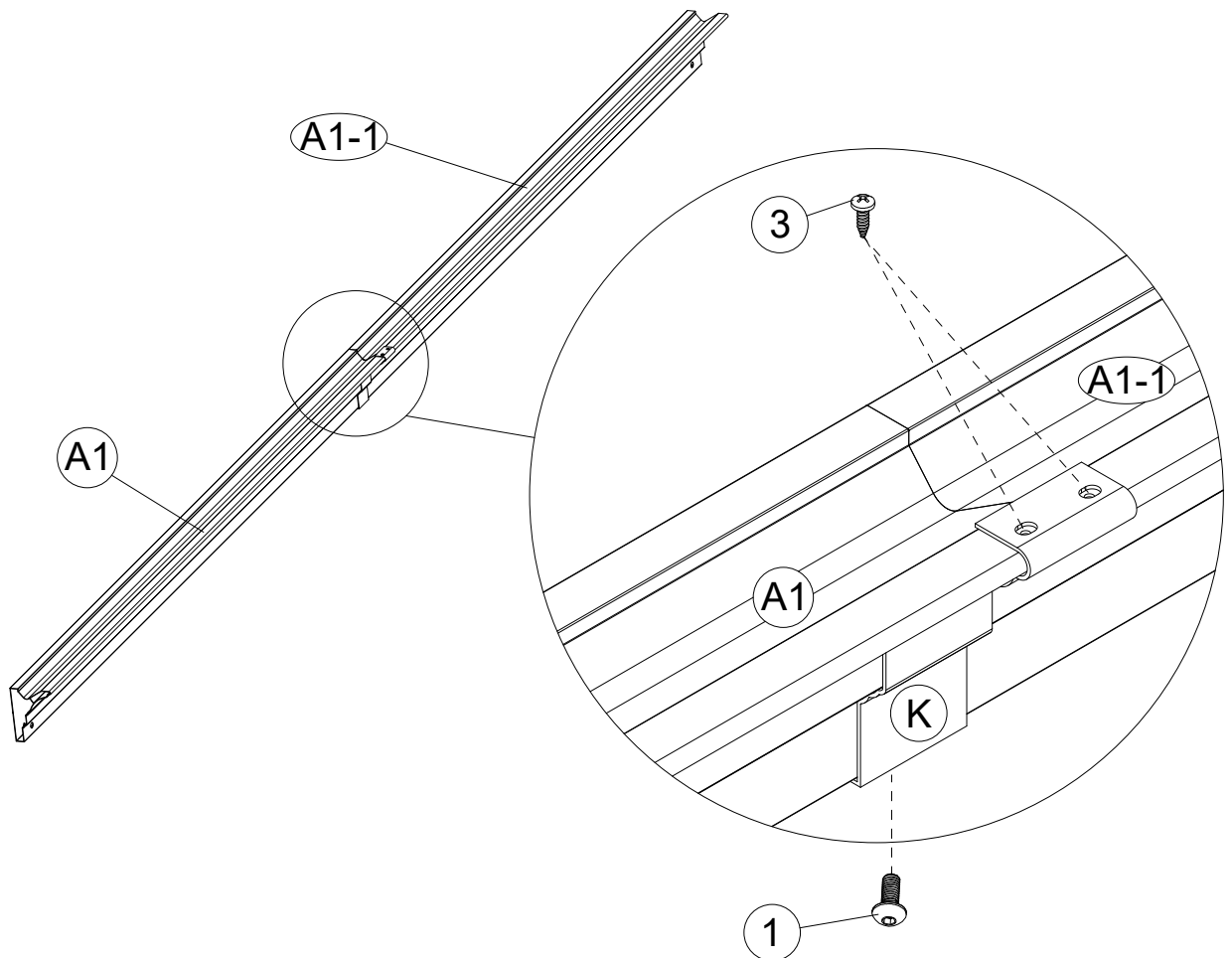
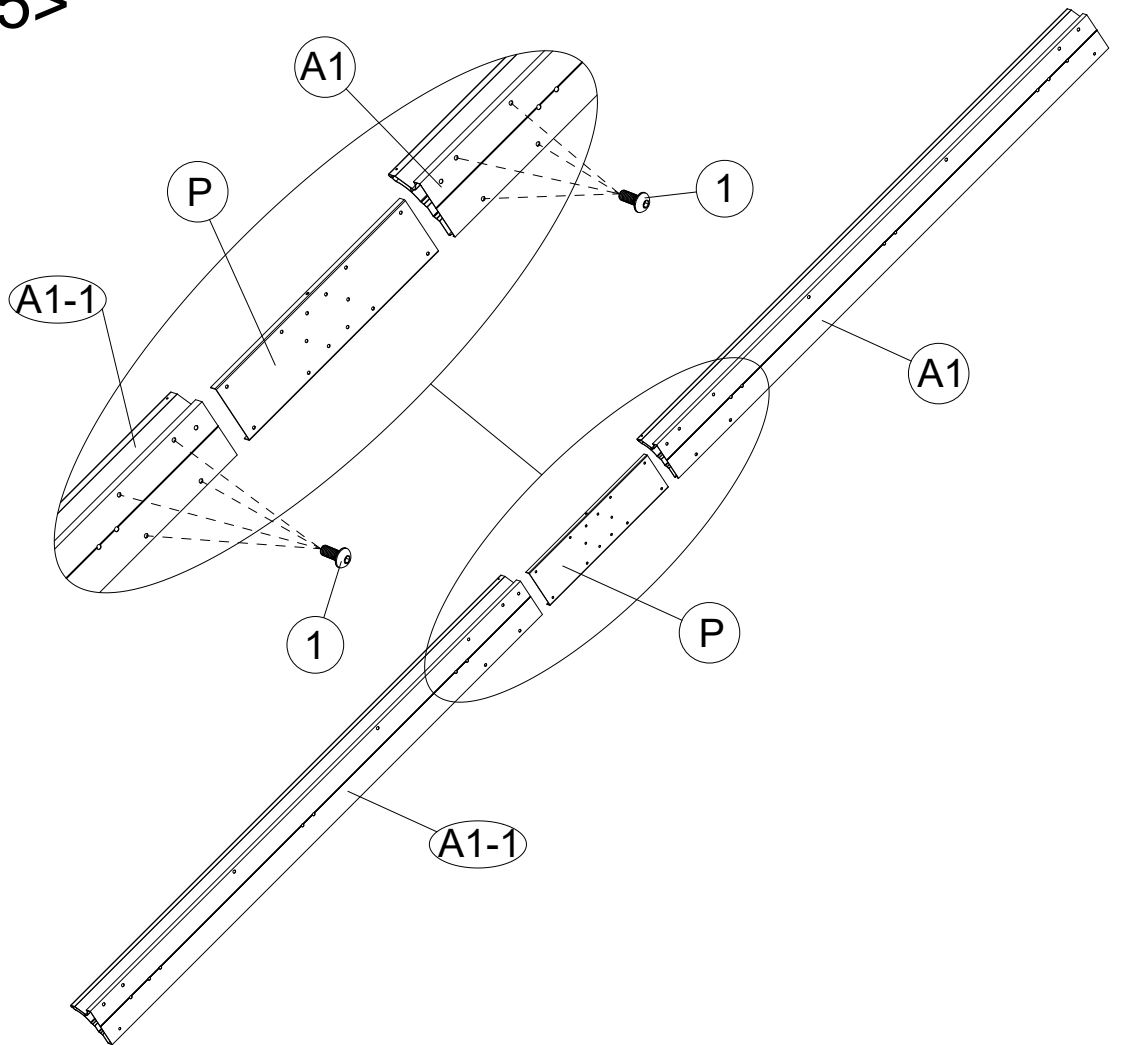
1 16x



<5>



15



<6>

A3 2x

A3-1 2x

O2 2x

O2-1 2x

I3 2x

I4 2x

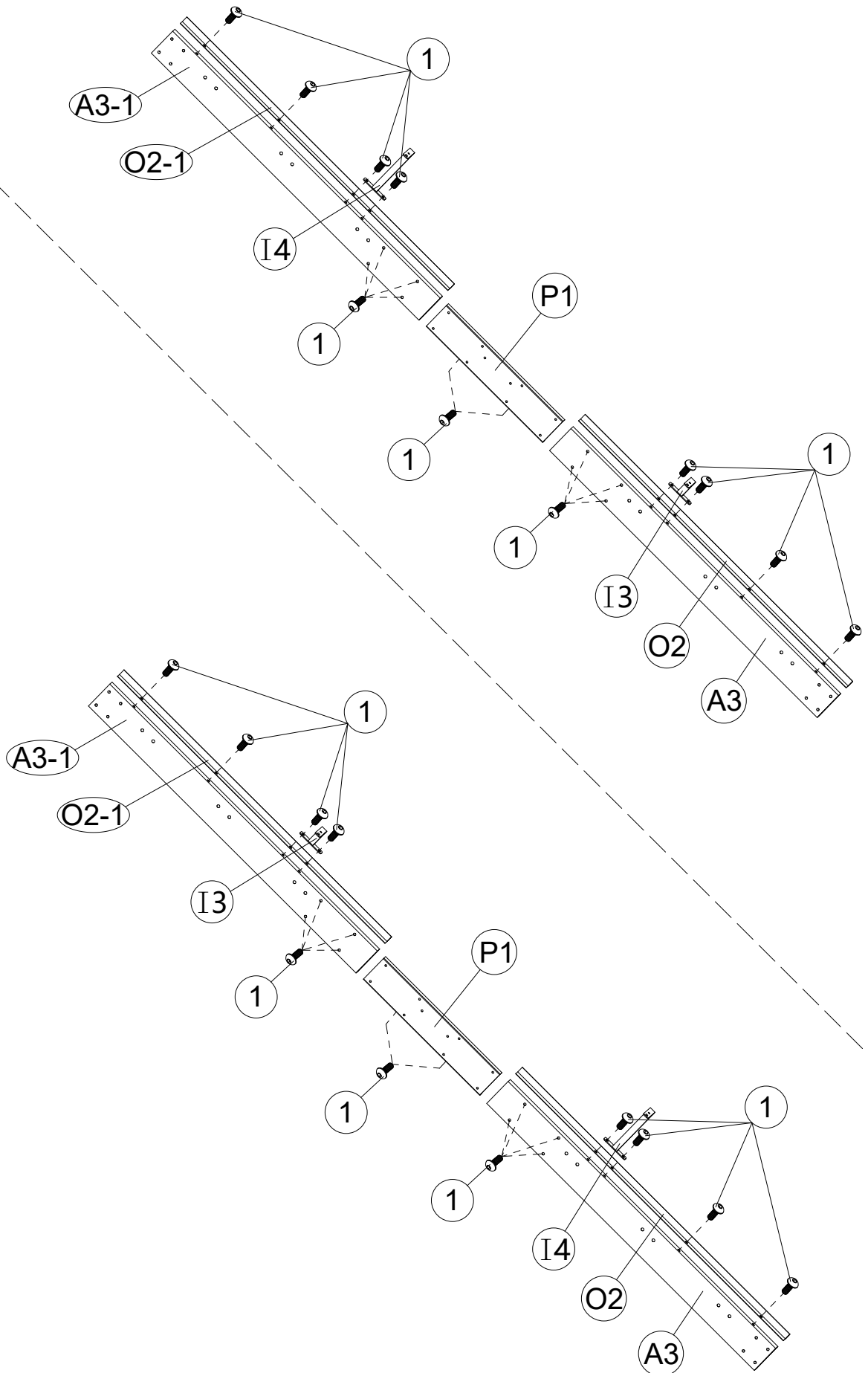
P1 2x



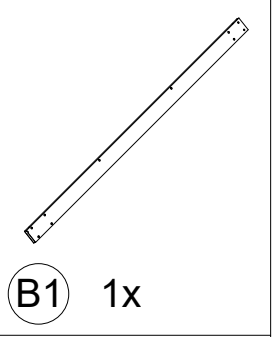
M6x15

1 36x

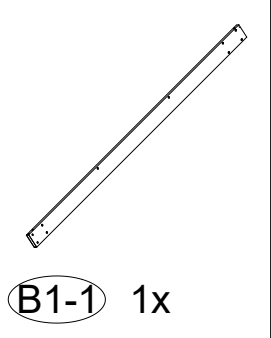
16



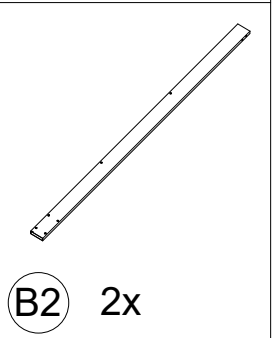
<7>



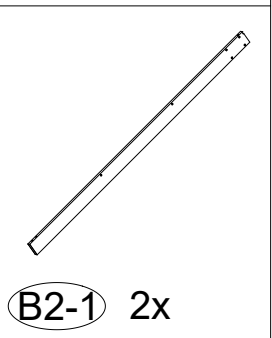
B1 1x



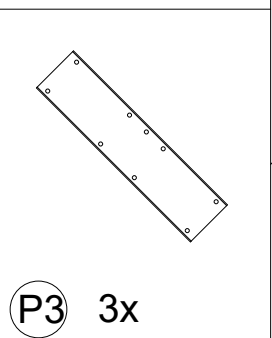
B1-1 1x



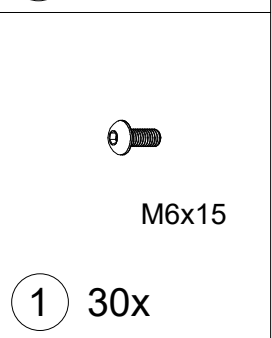
B2 2x



B2-1 2x



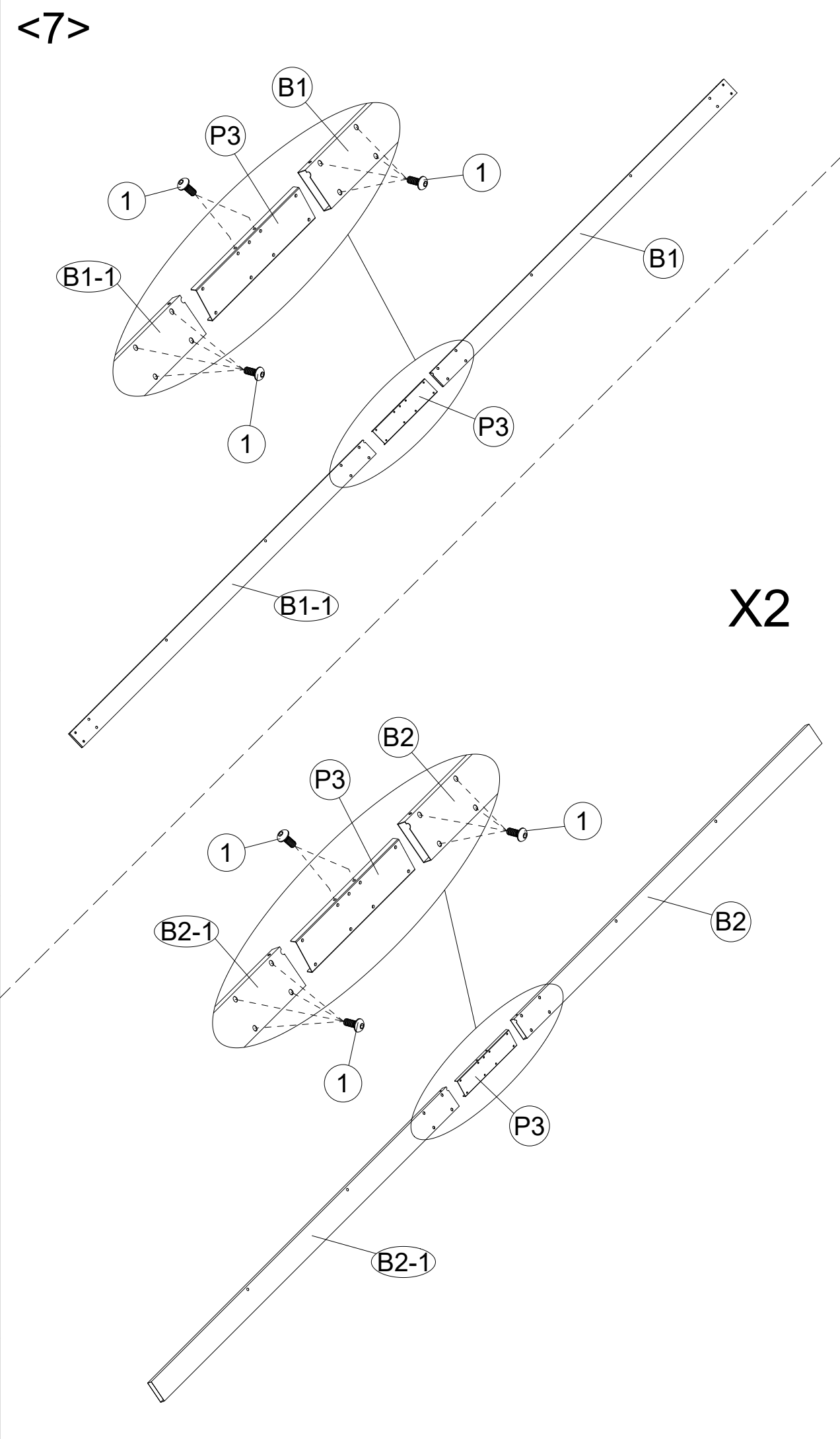
P3 3x



M6x15

1 30x

17



<8>

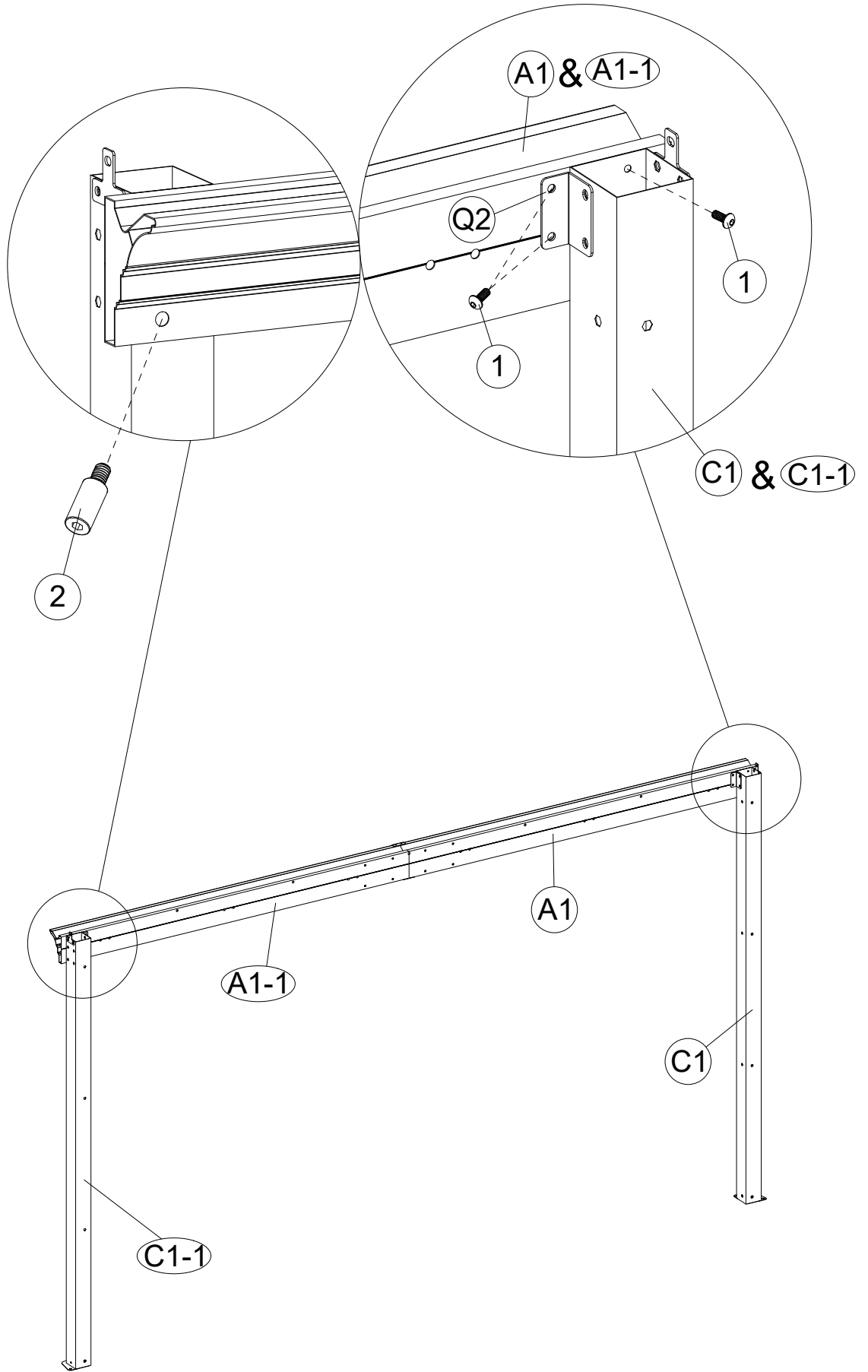


2 2x



M6x15

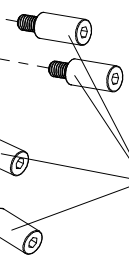
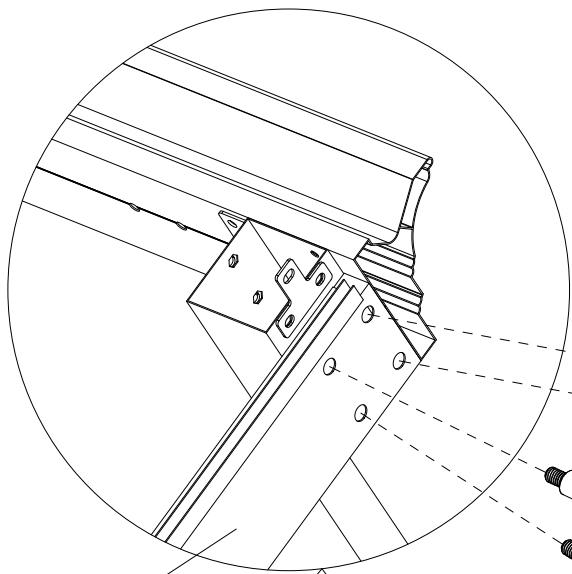
1 6x



<9>

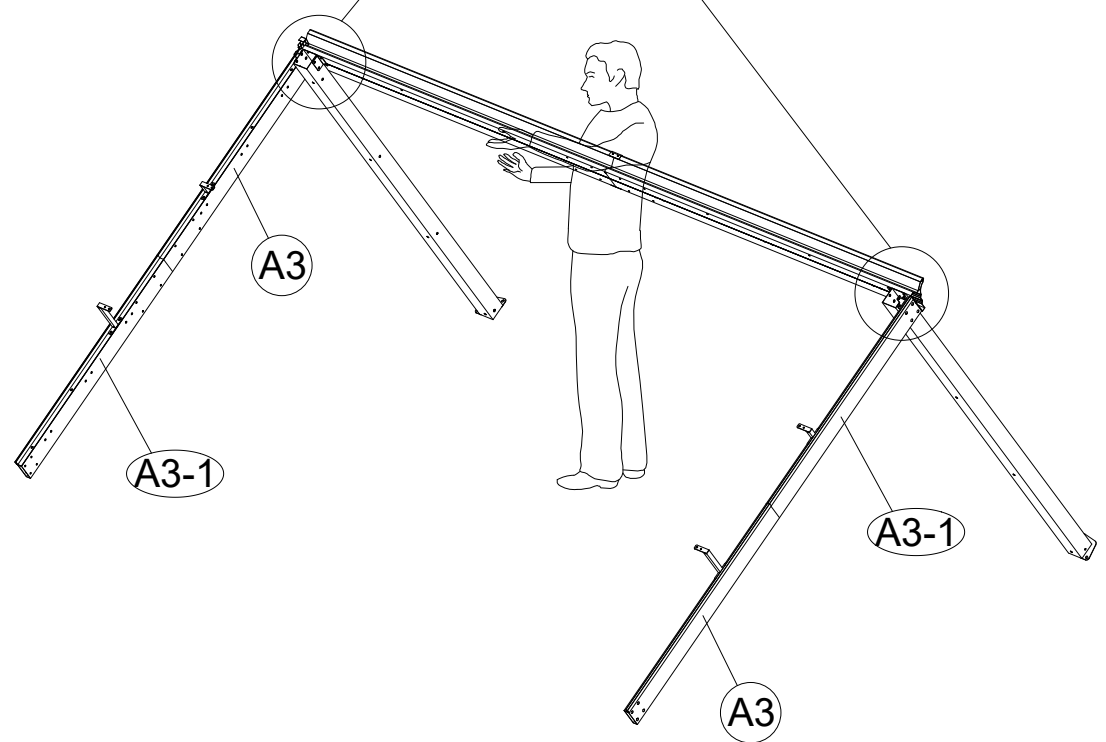


2 8x



2

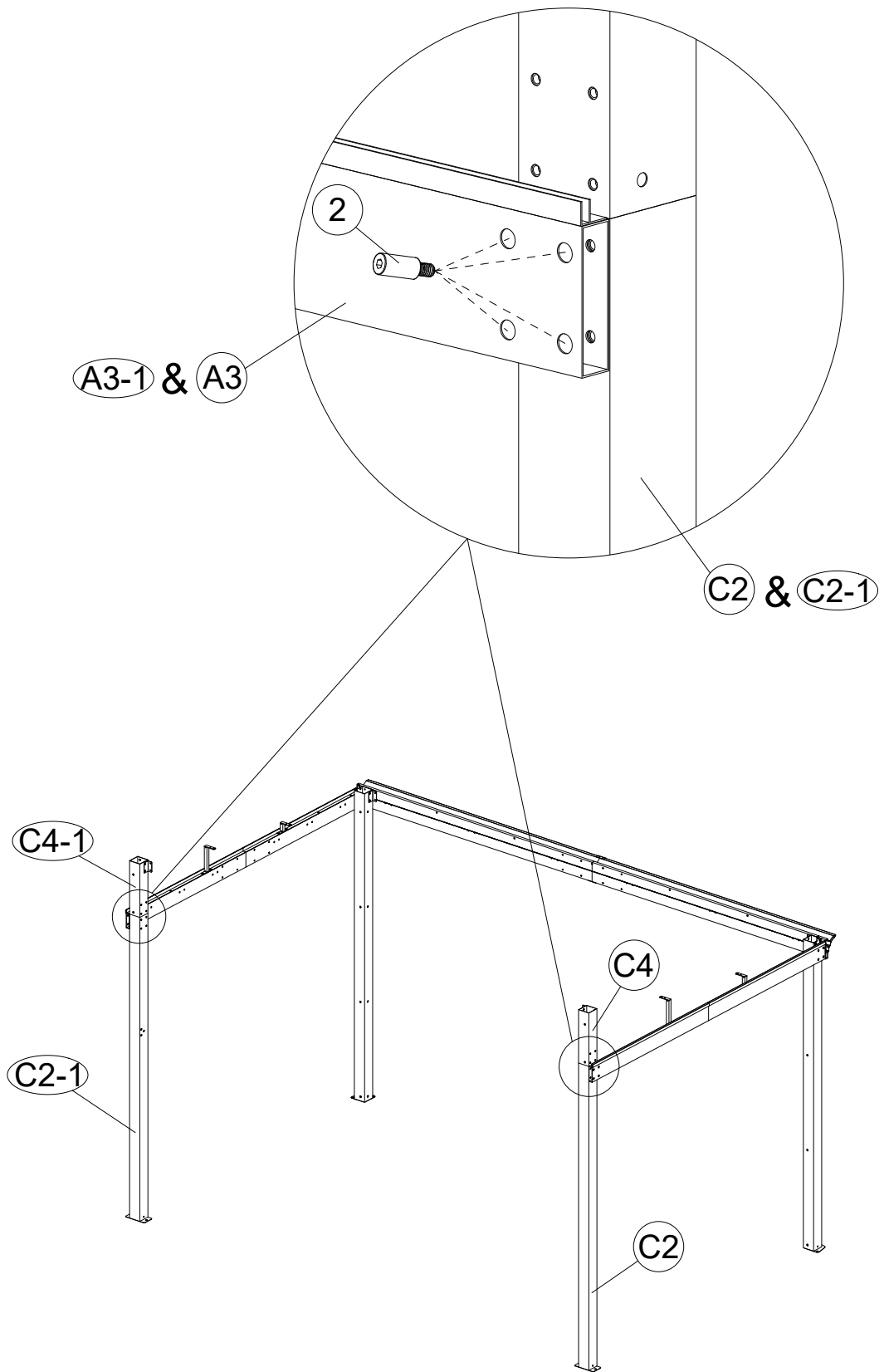
A3 & A3-1

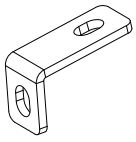


<10>



2 8x





<11>

X1 2x

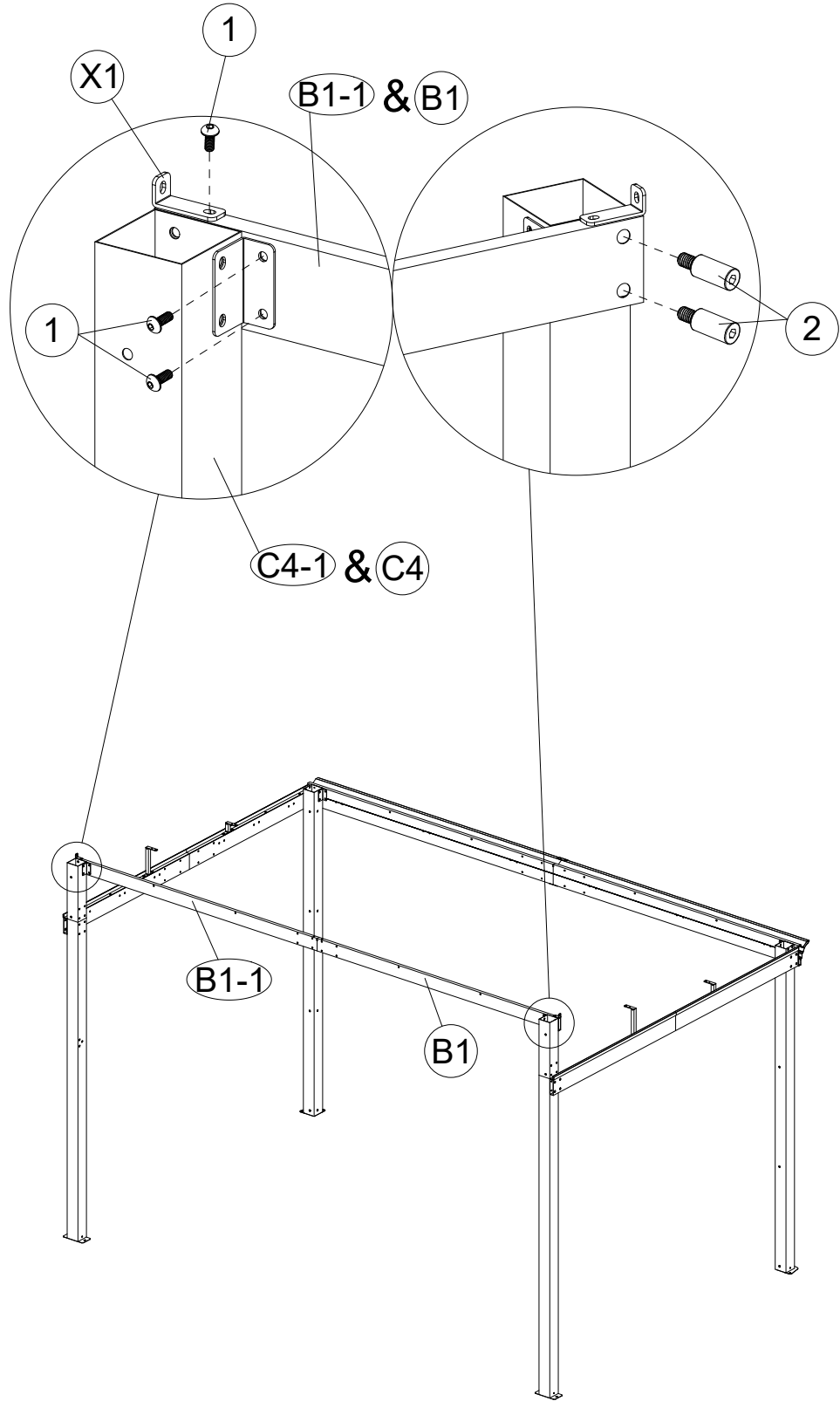


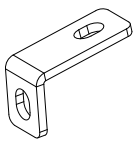
2 4x



M6x15

1 6x





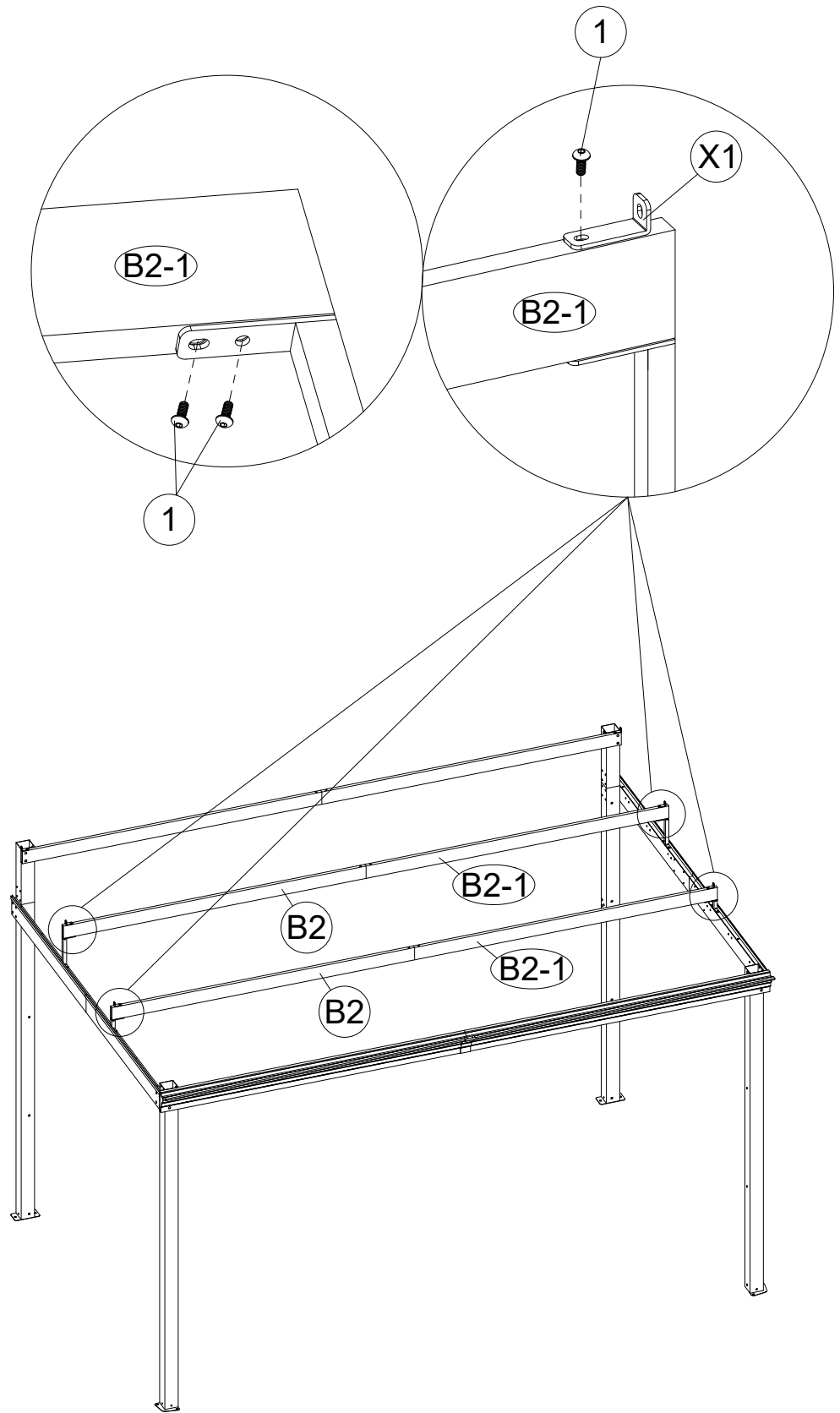
<12>

X1 4x

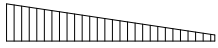


M6x15

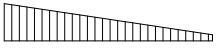
1 12x



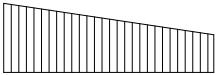
<13>



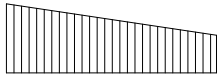
(R4) 1x



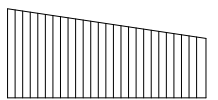
(R4-1) 1x



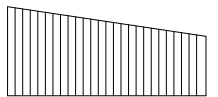
(R5) 1x



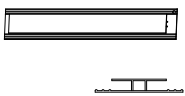
(R5-1) 1x



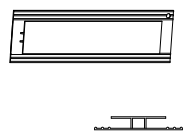
(R6) 1x



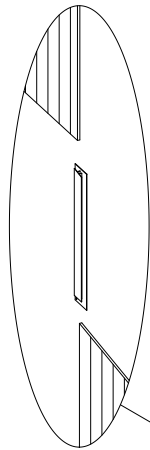
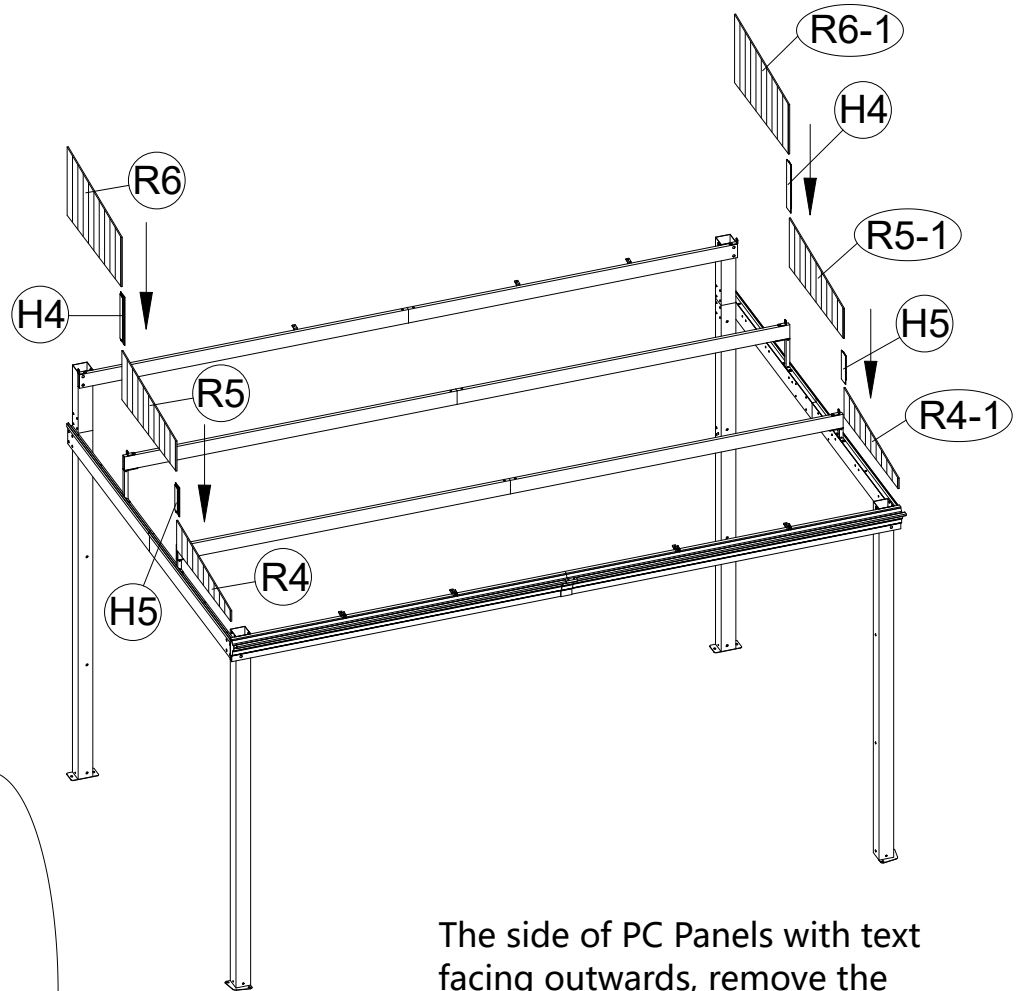
(R6-1) 1x



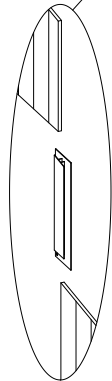
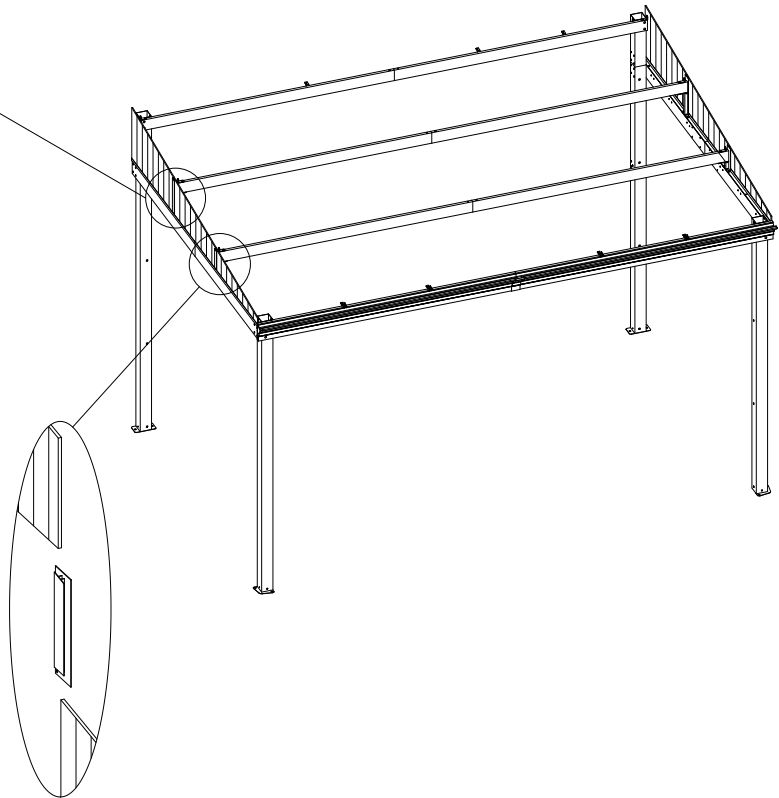
(H4) 2x



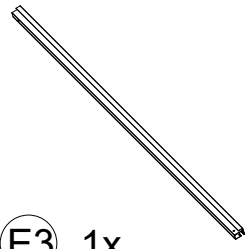
(H5) 2x



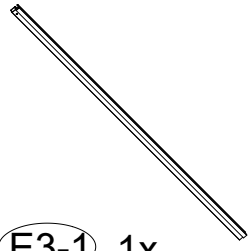
The side of PC Panels with text facing outwards, remove the protective film and install the panel.



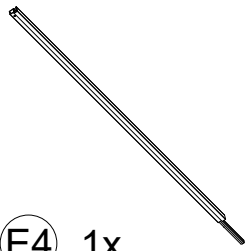
<14>



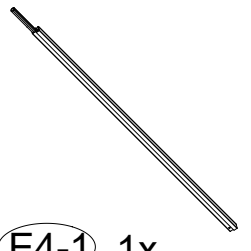
E3 1x



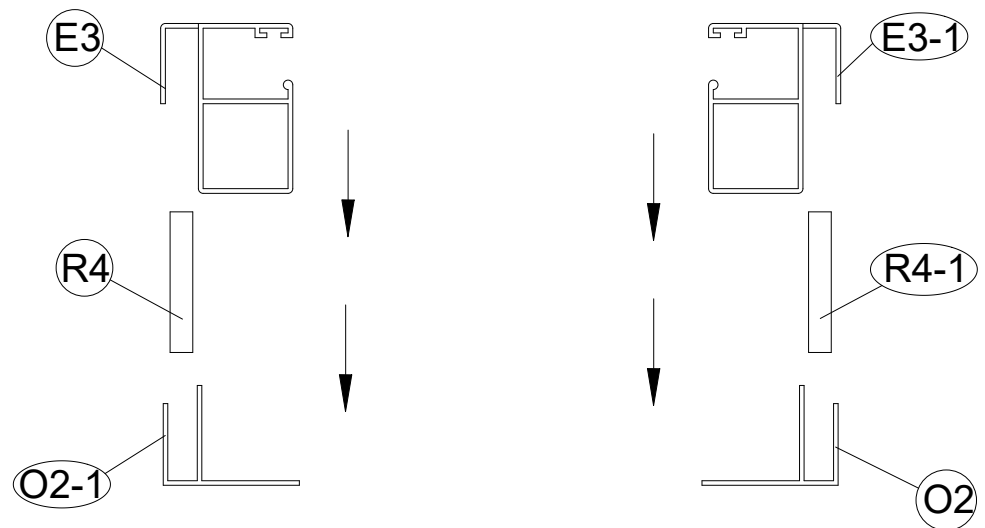
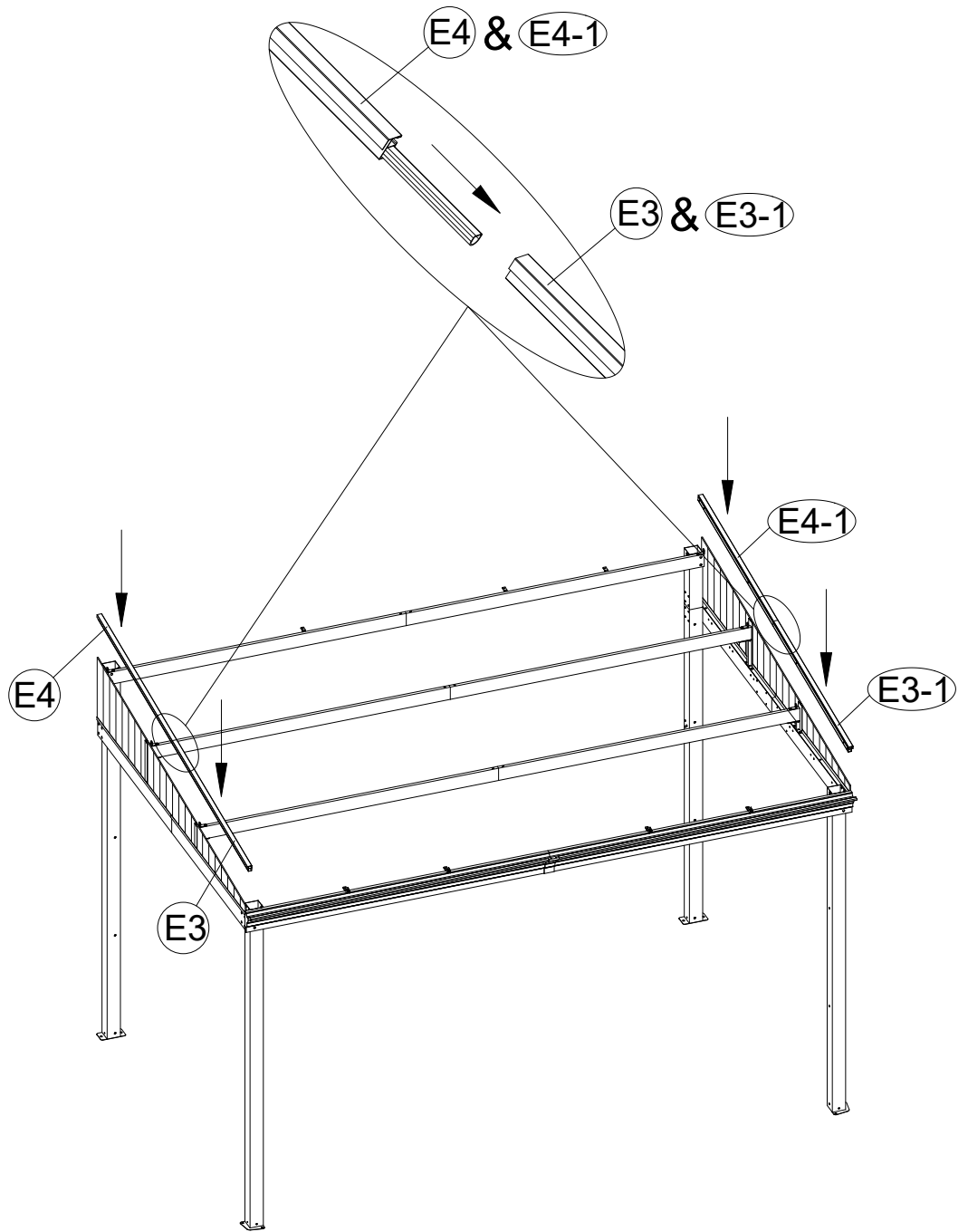
E3-1 1x



E4 1x



E4-1 1x

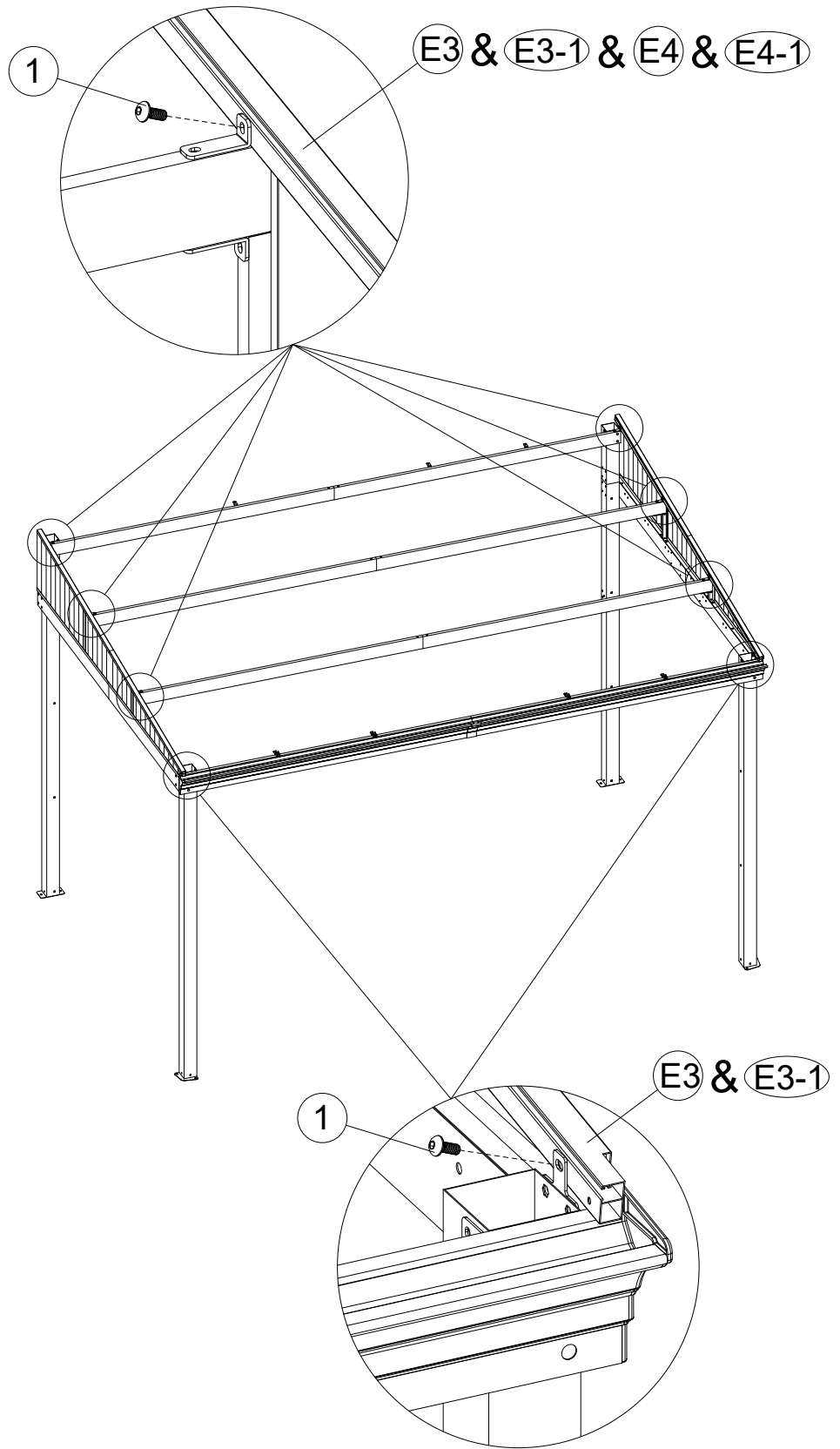




<15>

M6x15

1 8x

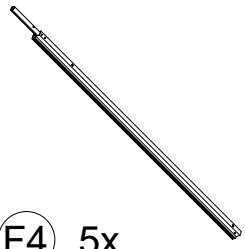


<16>

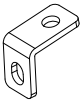
x4



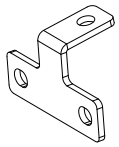
F3 5x



F4 5x



X2 19x

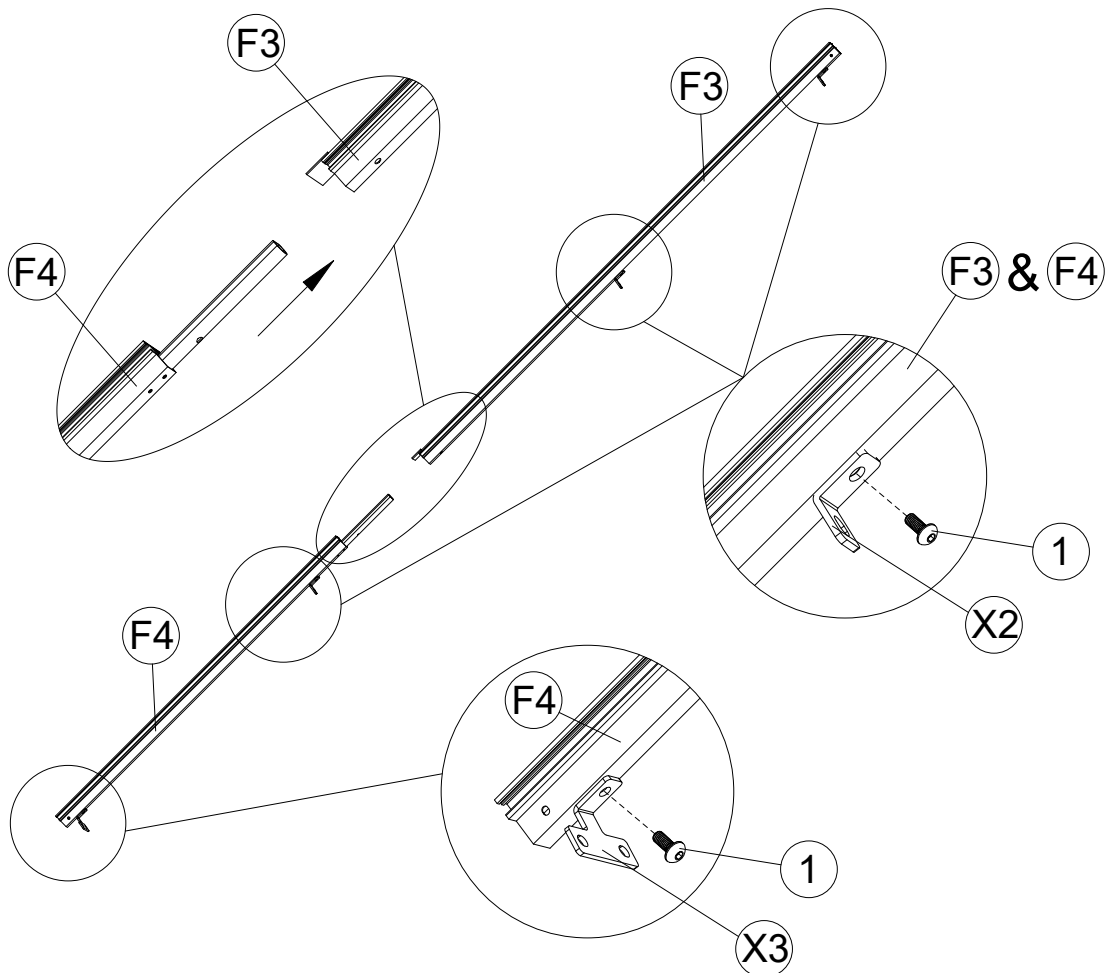
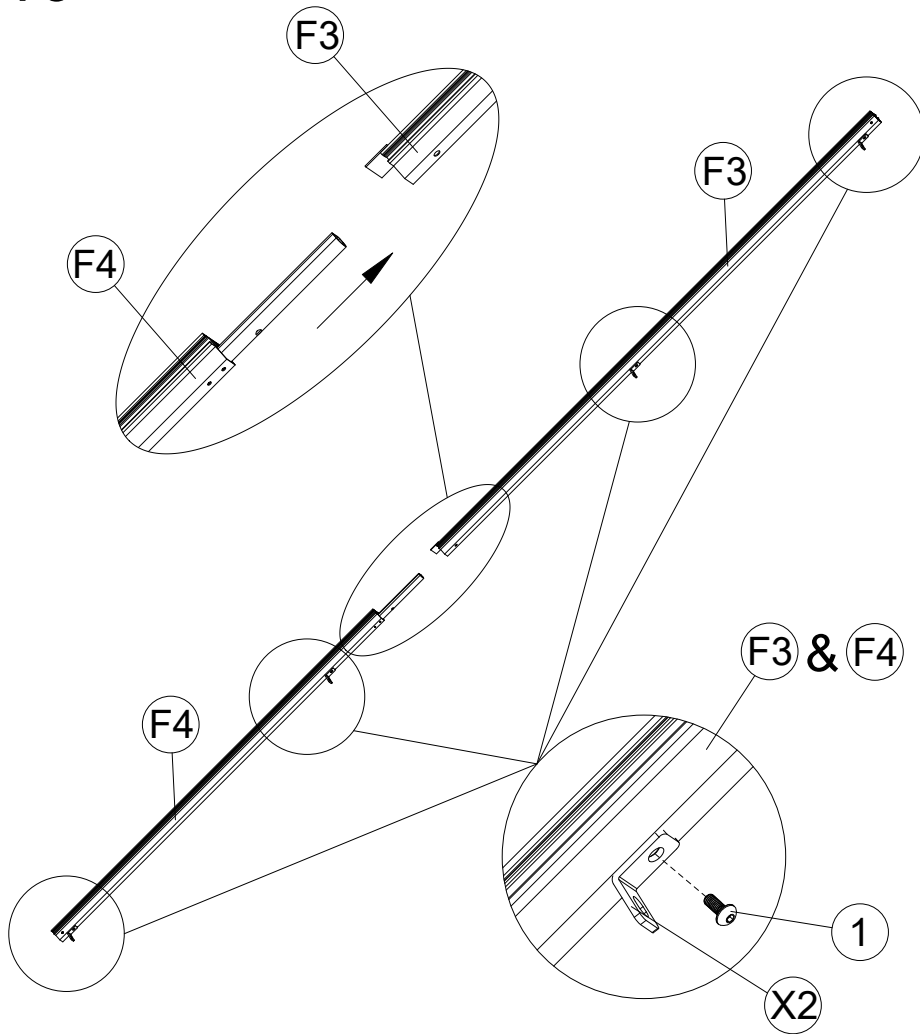


X3 1x



M6x15

1 20x



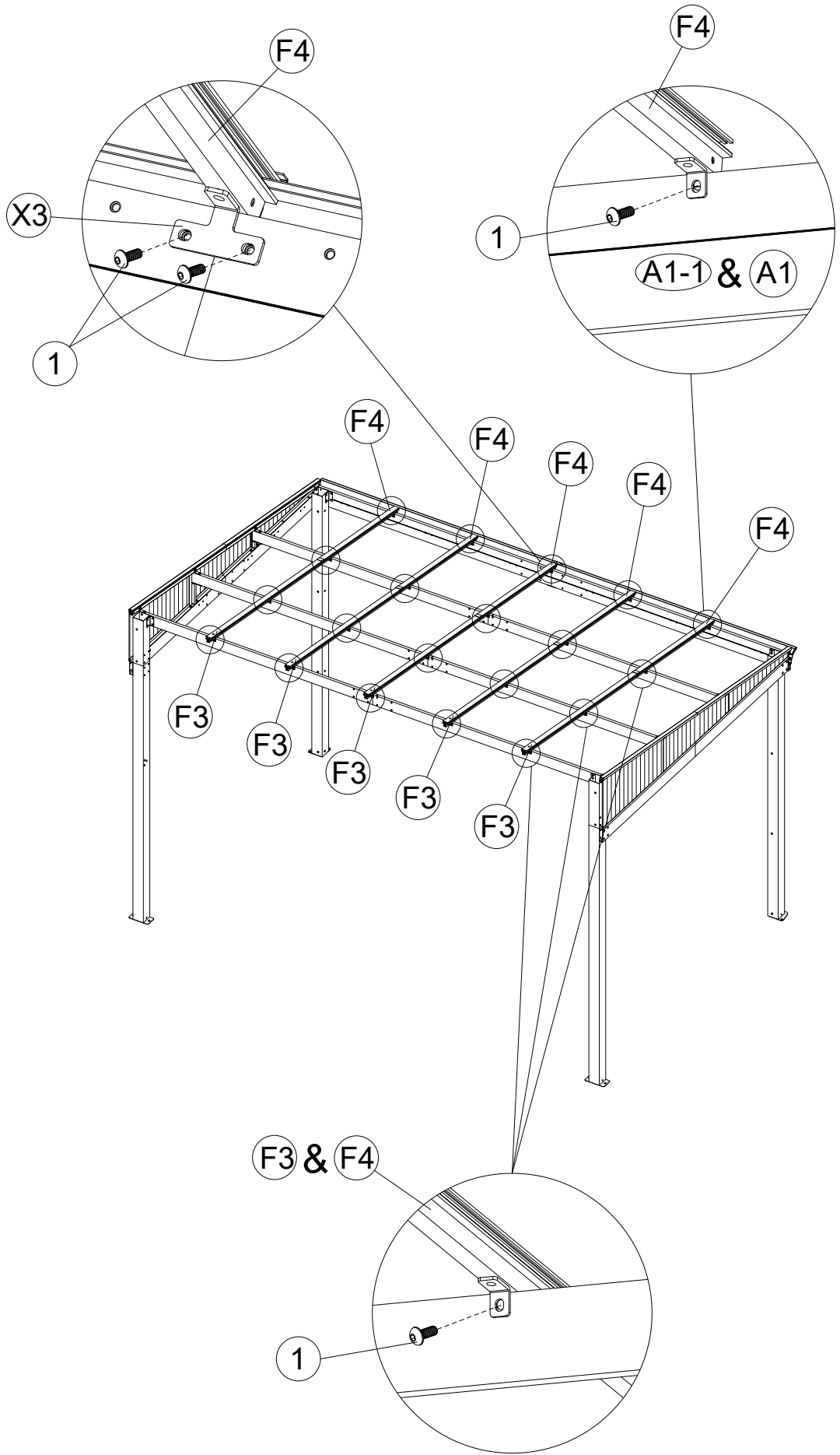
26



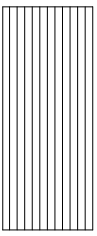
M6x15

<17>

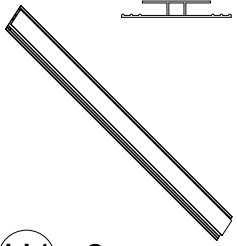
1 21x



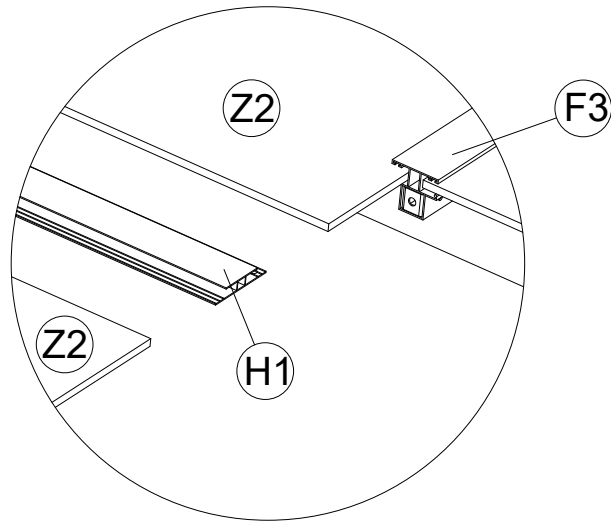
<18>



Z2 12x

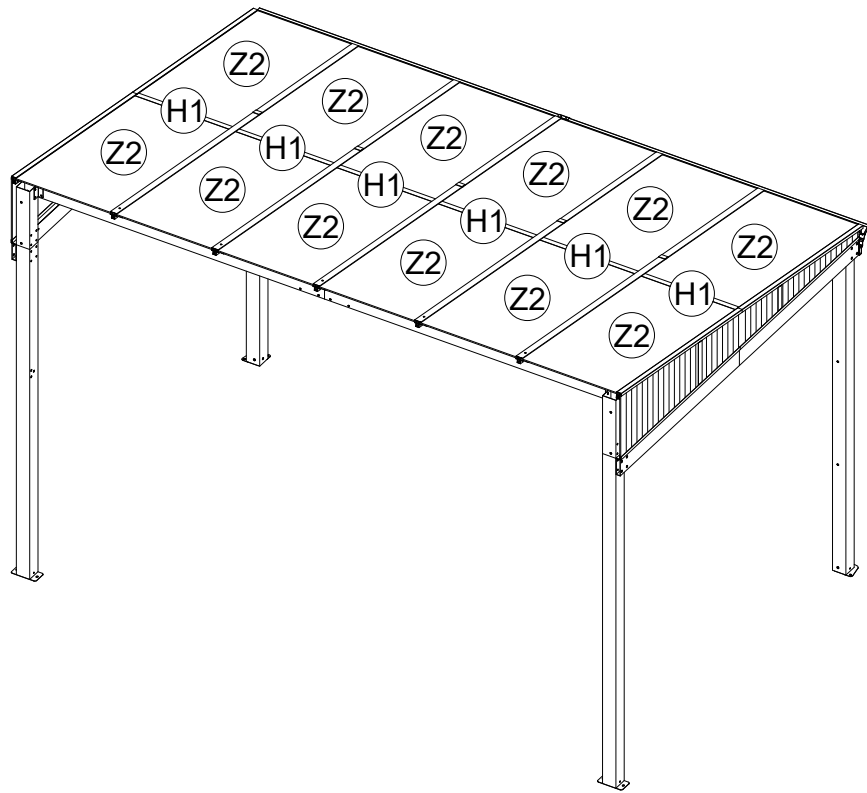


H1 6x

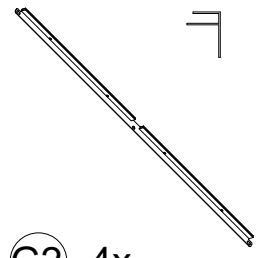


Note:

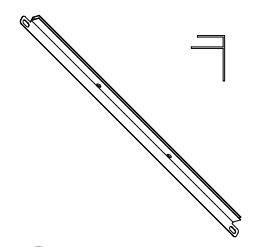
When H1 slide into the F3, the wide side must be face down and narrow side face up, otherwise will cause water leaking



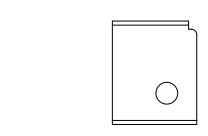
<19>



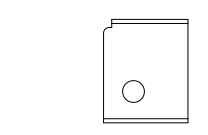
G2 4x



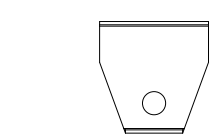
G1 4x



V1 1x



V2 1x

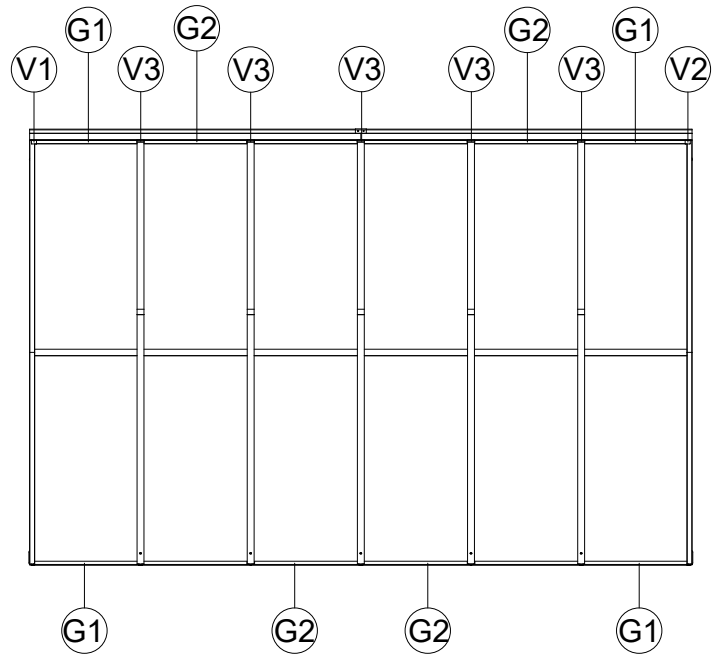
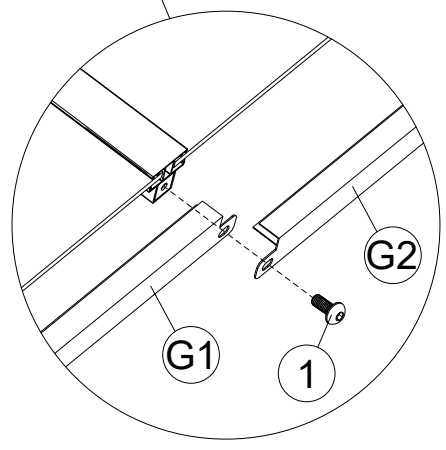
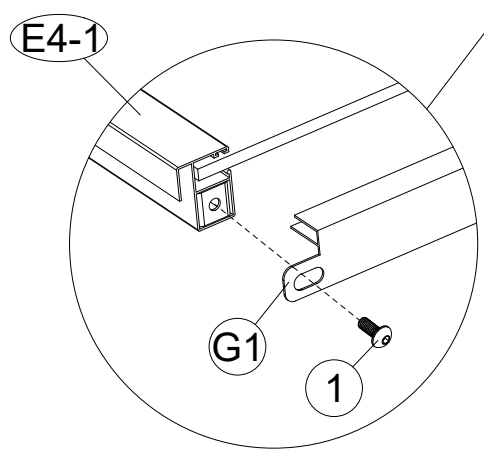
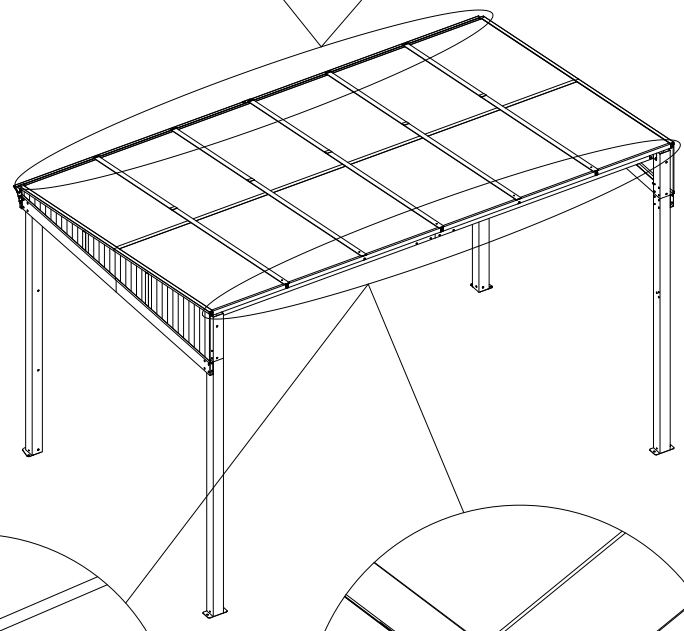
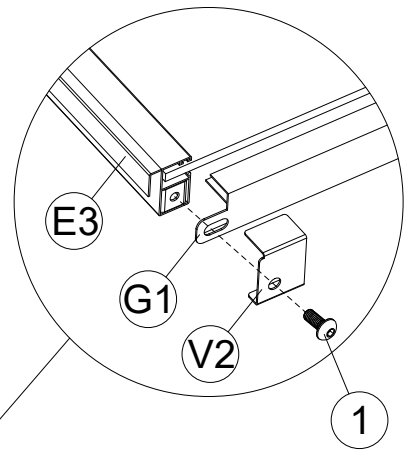
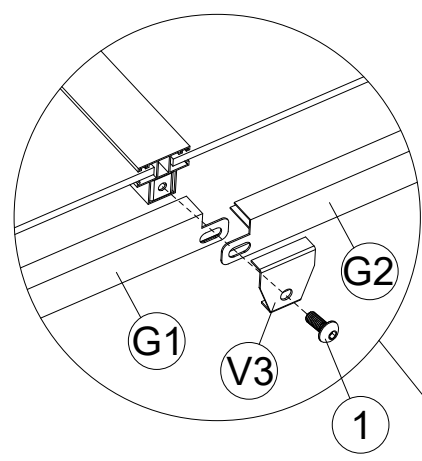


V3 5x



M6x15

1 14x



<20>

L1 1x

L2 1x

L2-1 1x

L4 1x

L4-1 1x

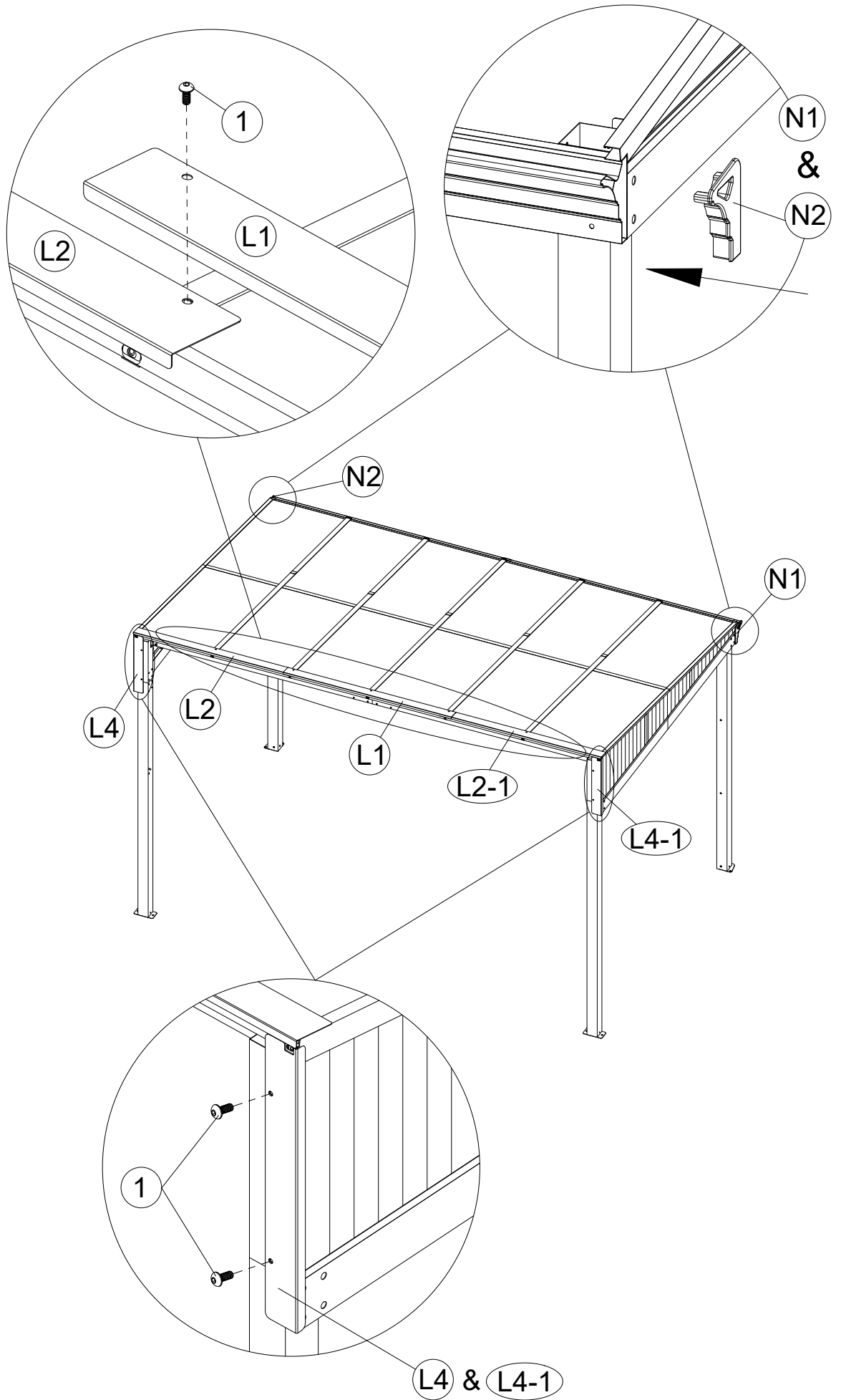
N1 1x

N2 1x

1 9x

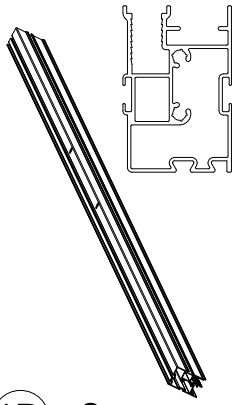
M6x15

30

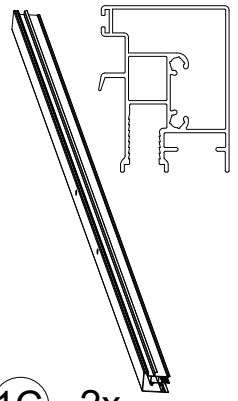


<21>

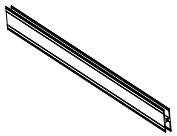
AB 2x



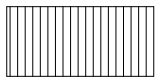
1B 2x



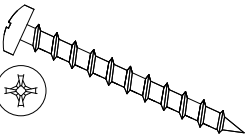
1C 2x



5G 4x

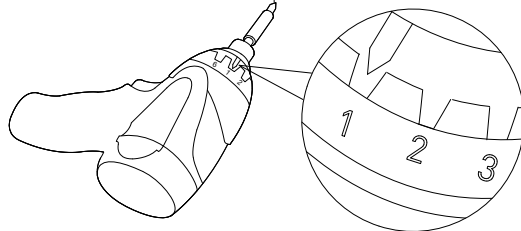
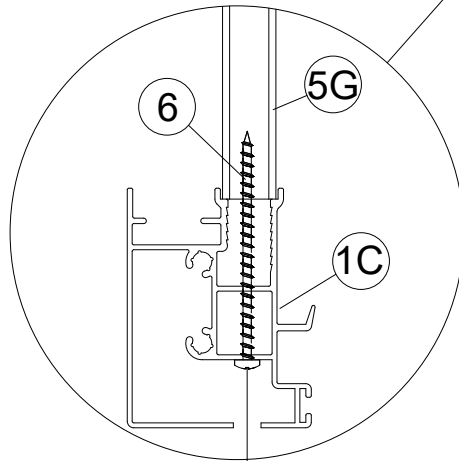
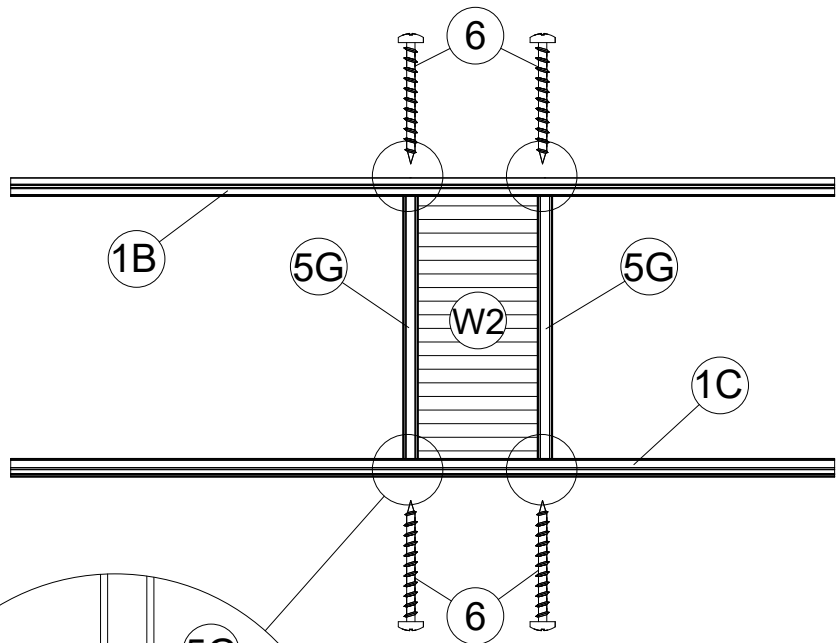


W2 2x



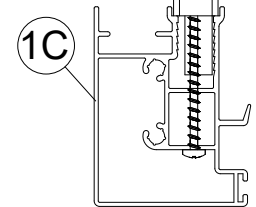
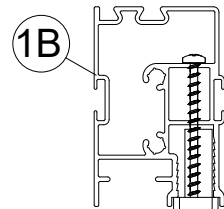
M4x50

6 8x



Select the low gear.

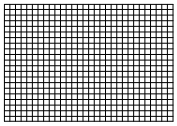
The side of PC Panel with text facing outwards, remove the protective film and install the panel.



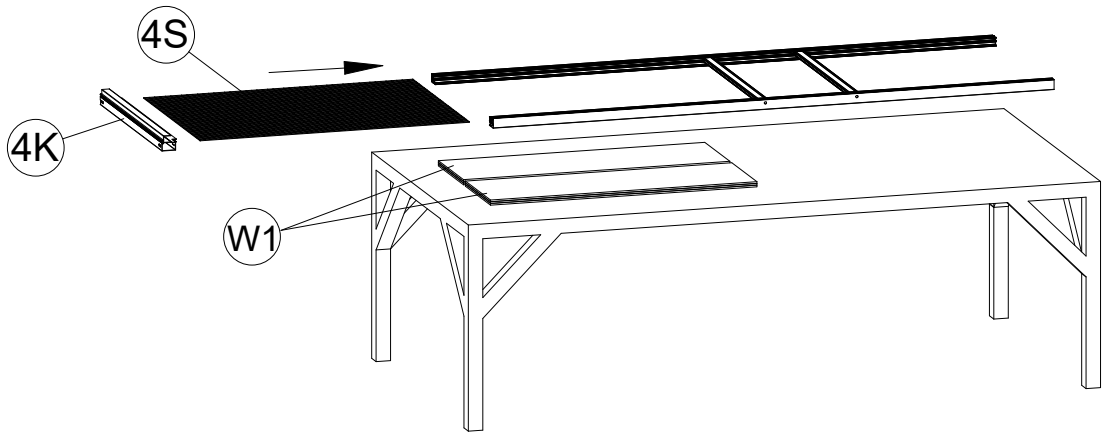
The door frame installation template on pages 31 to 35 is displayed. All subsequent door frames follow this template.

<22>

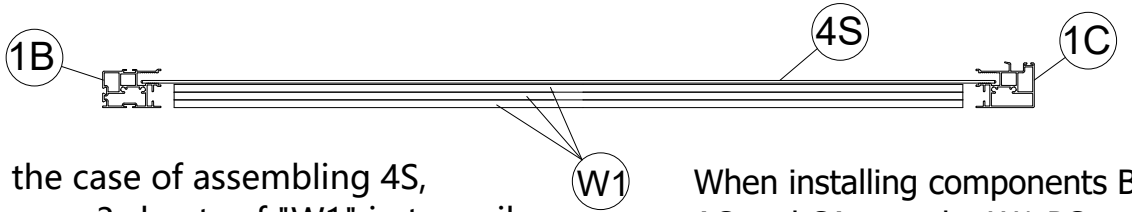
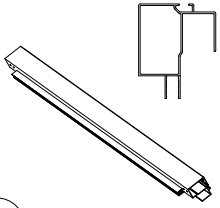
AB 2x



4S 2x

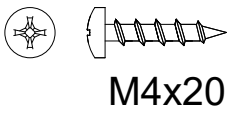


4K 2x



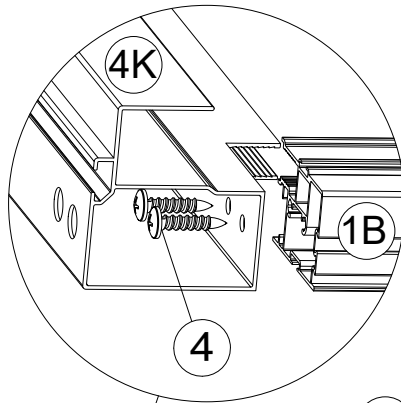
In the case of assembling 4S, borrow 3 sheets of "W1" in two piles and stack the bottom, lift the "4S".

When installing components BA, AC and CA, use the W1 PC panel as a pad in the same way.

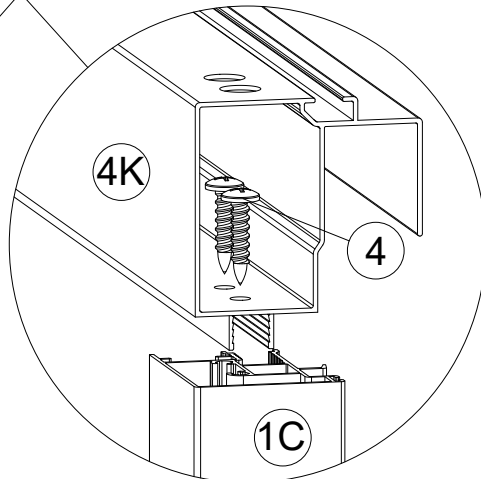
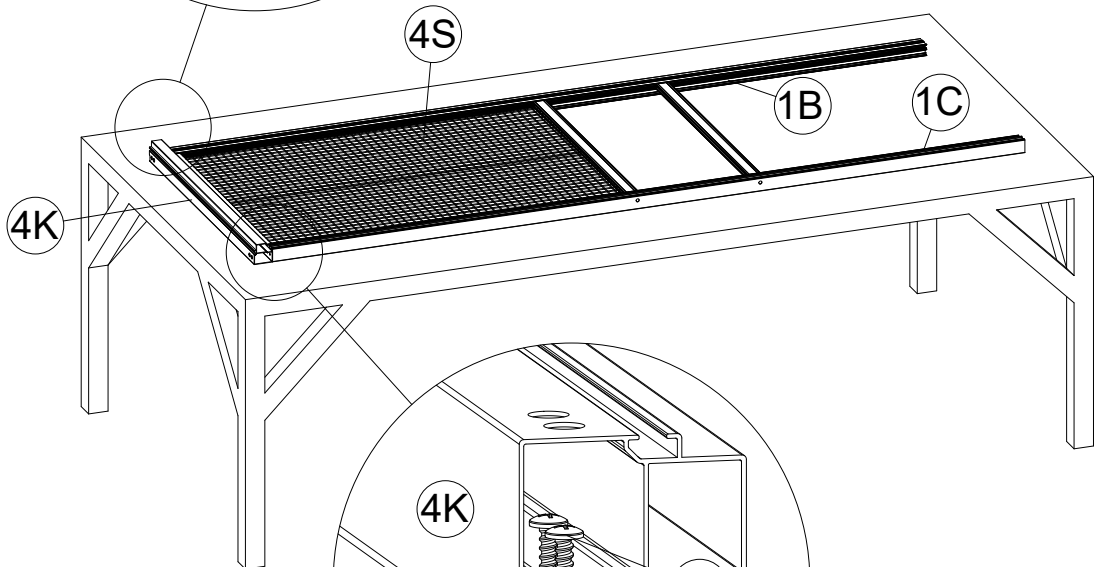


M4x20

4 8x



Please pay attention to the details.

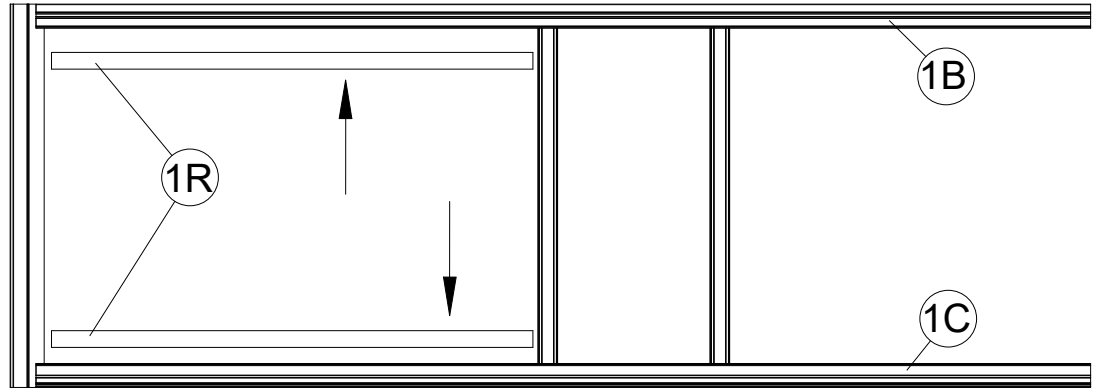


<23>

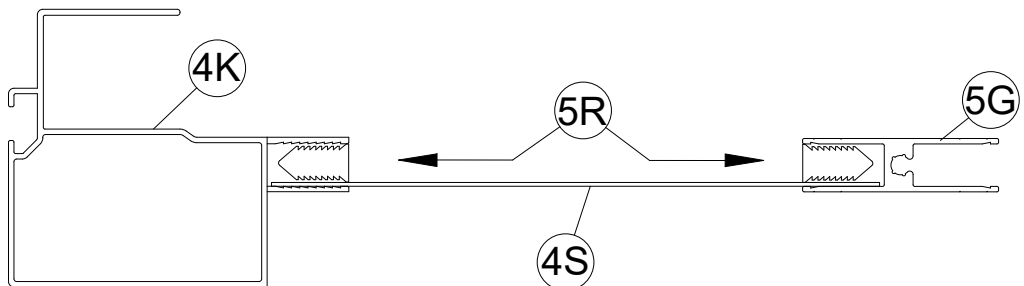
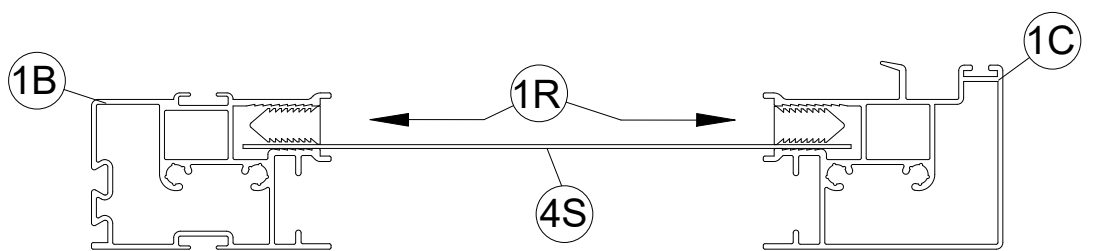
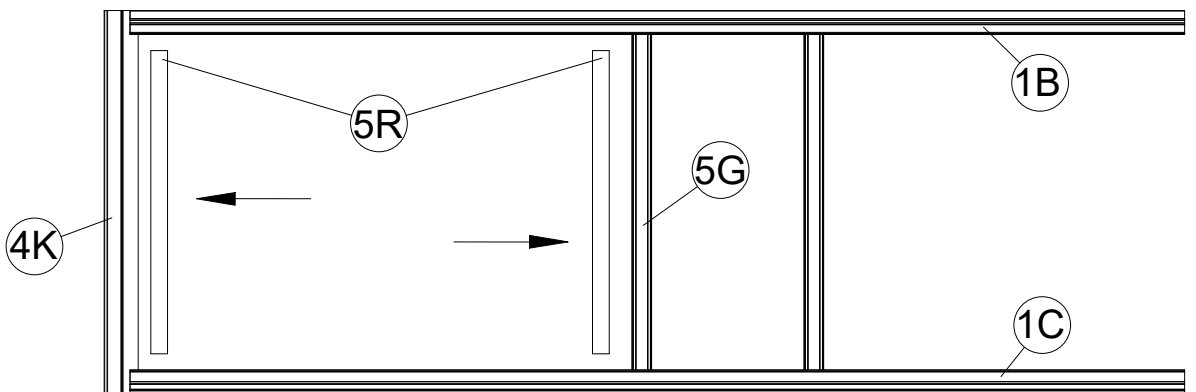
AB 2x

Before installing the parts (1R and 5R),
move the mesh by hand to ensure make
enough space around the mesh.

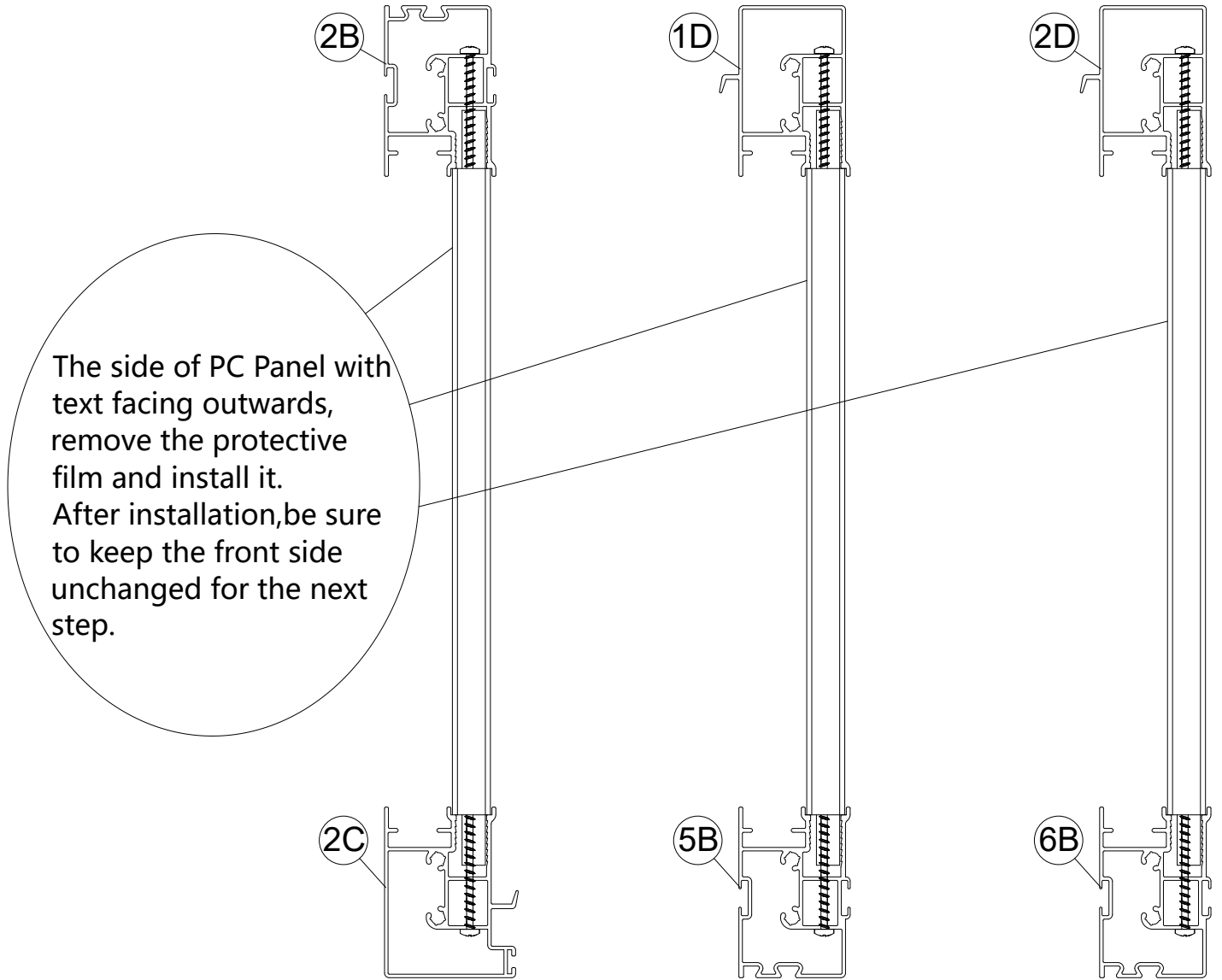
1R 4x



5R 4x



This diagram is for subsequent reference.



<25>

Install door frame BA, AC, CA according to the installation on pages 31 to 35.

4K 2x

1R 4x

5R 4x

5G 4x

4S 2x

W2 2x

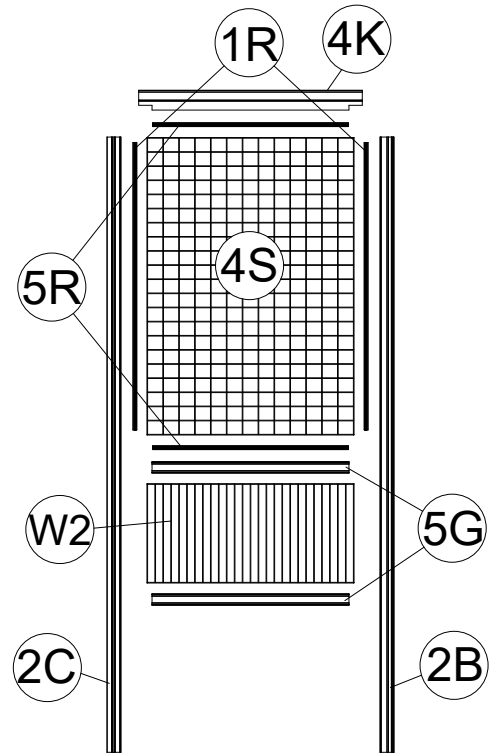
2B 2x

2C 2x

6 8x

4 8x

BA 2x



1K 1x

1R 2x

2R 2x

2G 2x

2S 1x

T2 1x

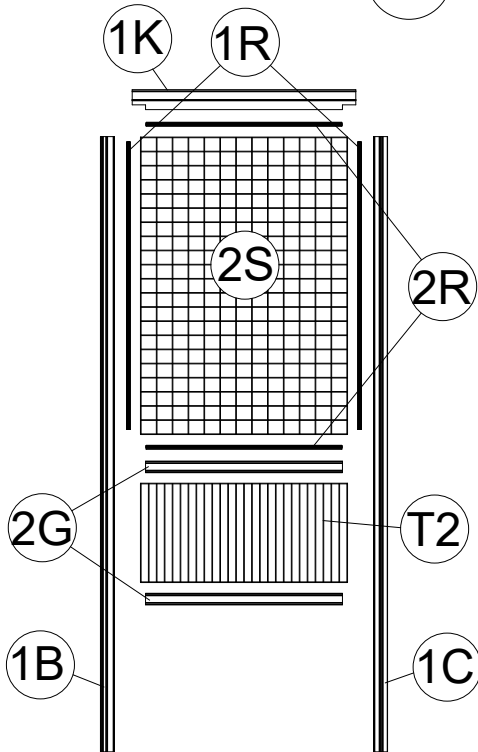
1B 1x

1C 1x

6 4x

4 4x

AC 1x



1K 1x

1R 2x

2R 2x

2G 2x

2S 1x

T2 1x

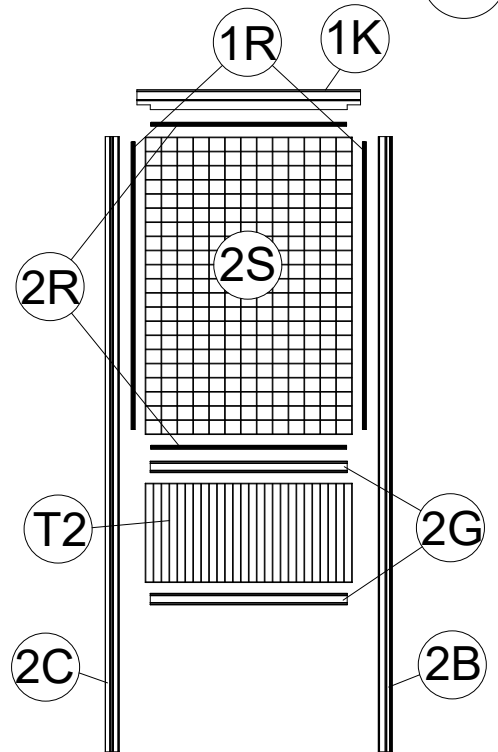
2B 1x

2C 1x

6 4x

4 4x

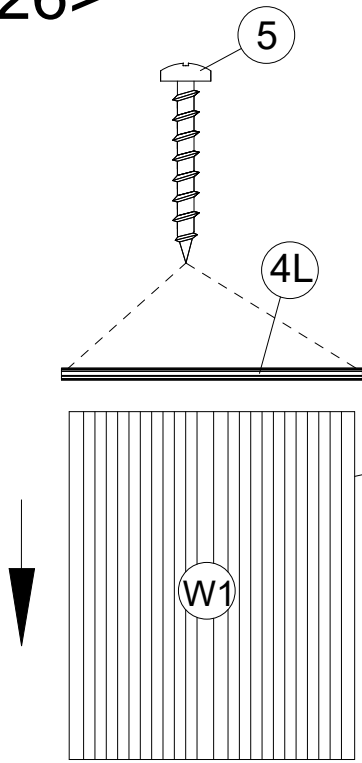
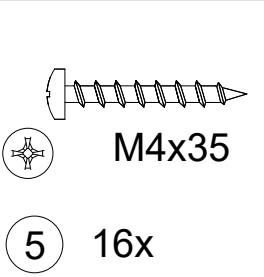
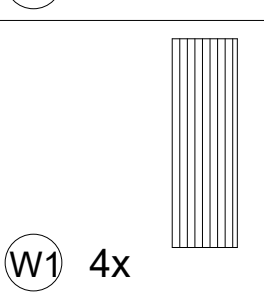
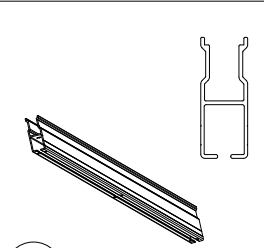
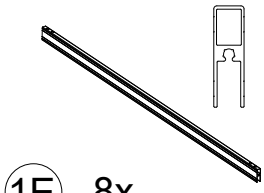
CA 1x



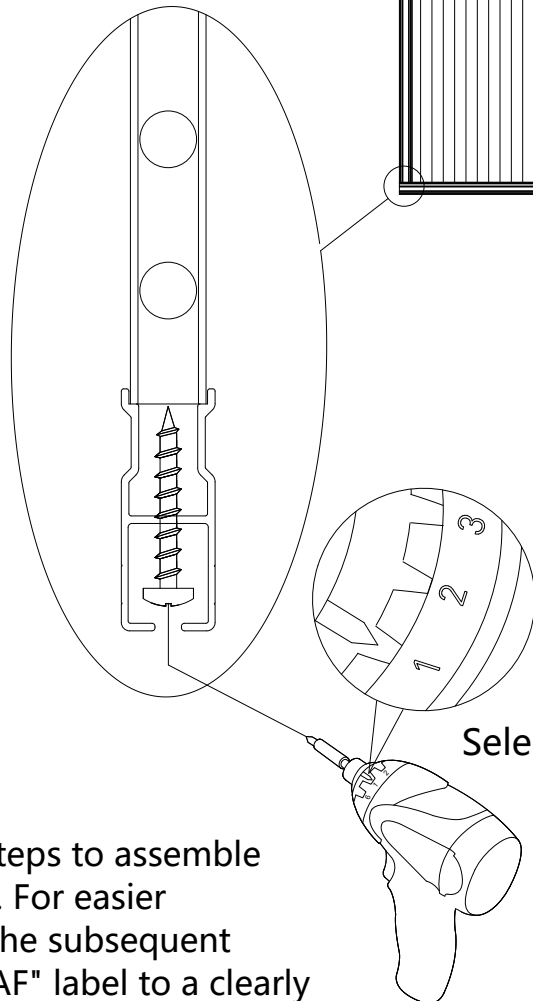
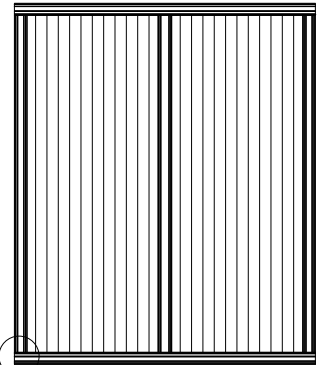
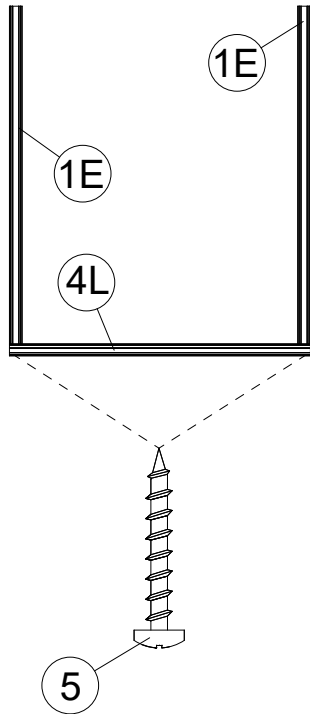
Component AB is symmetric to BA, AC is symmetric to CA.

<26>

AF 4x



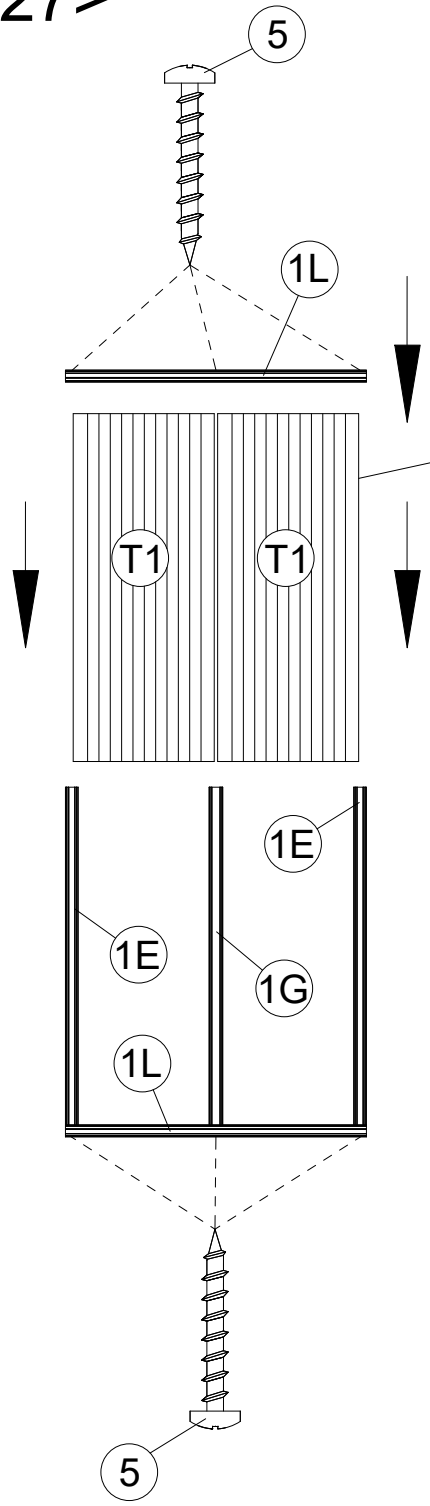
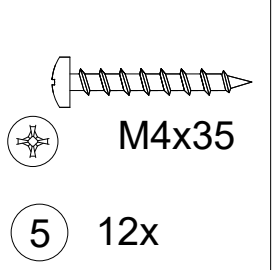
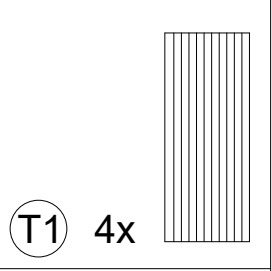
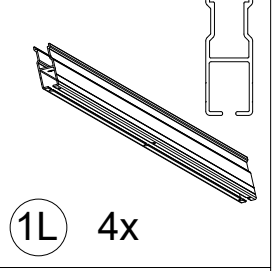
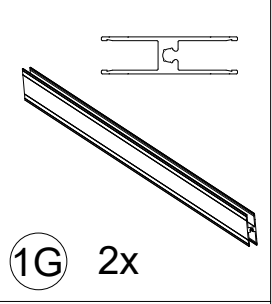
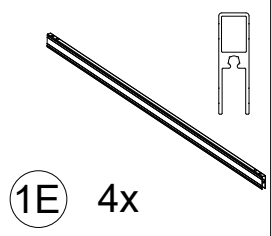
The side of the PC panel with the text facing outward, remove the protective film and install it. After installation, be sure to leave the front side unchanged for the next step.



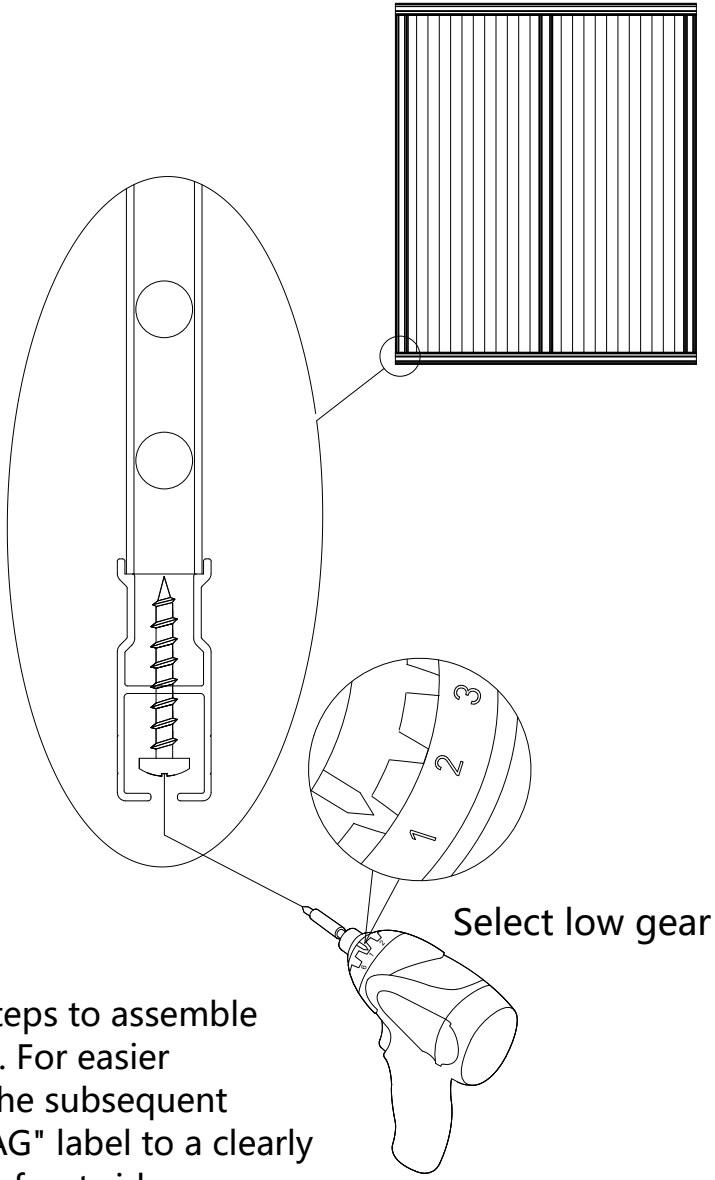
Repeat the previous steps to assemble eight AF components. For easier identification during the subsequent assembly, attach an "AF" label to a clearly visible position on the front side.

<27>

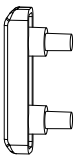
AG 2x



The side of the PC panel with the text facing outward, remove the protective film and install it. After installation, be sure to leave the front side unchanged for the next step.



Repeat the previous steps to assemble eight AG components. For easier identification during the subsequent assembly, attach an "AG" label to a clearly visible position on the front side.



<28>

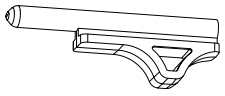
AF 4x

AG 2x

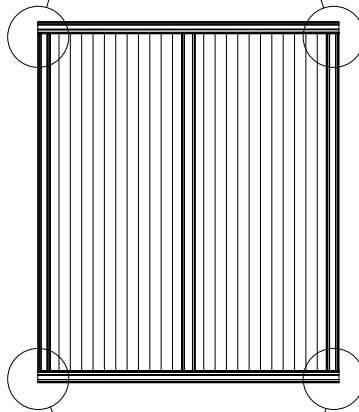
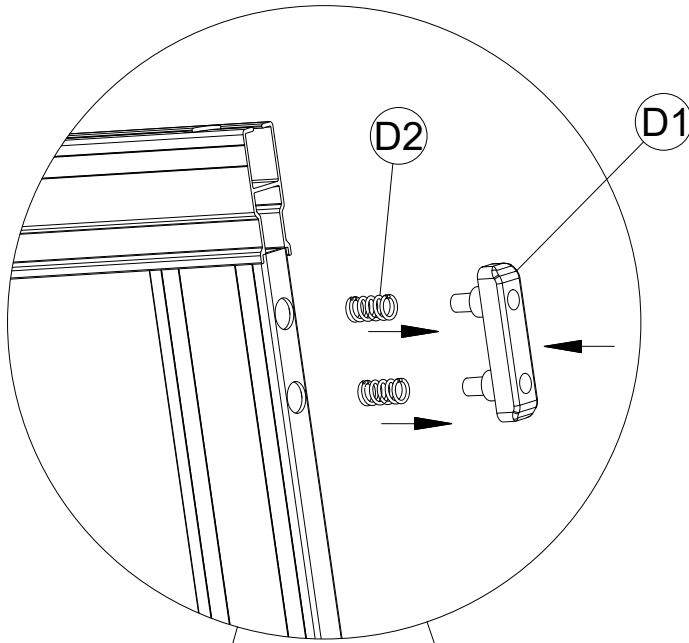
D1 24x



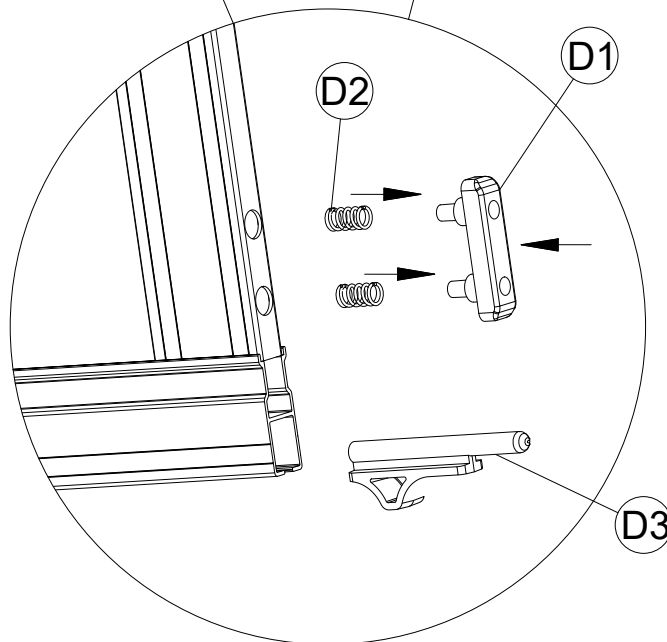
D2 48x



D3 12x



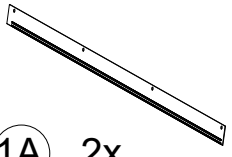
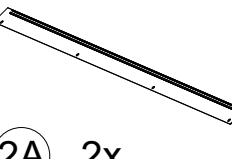
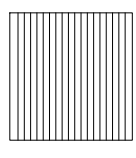
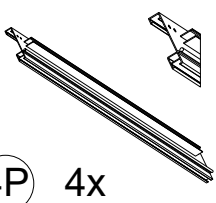
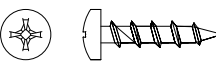
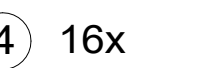
It is recommended that this step be assembled along with the next step.

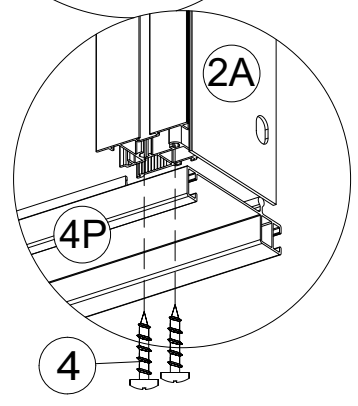
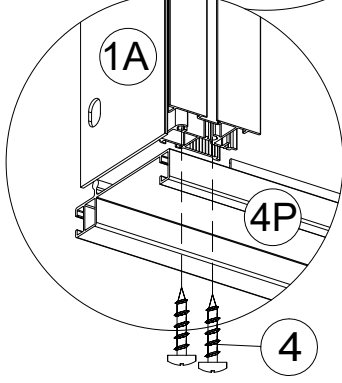
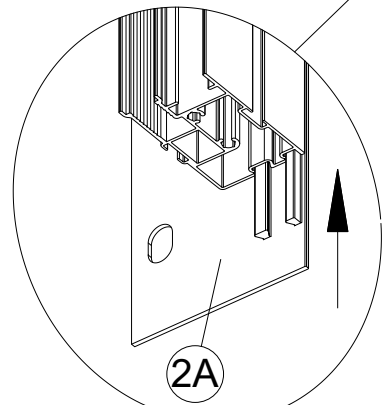
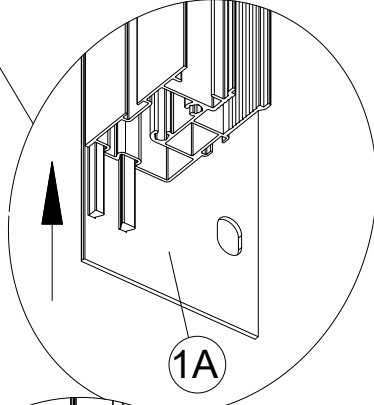
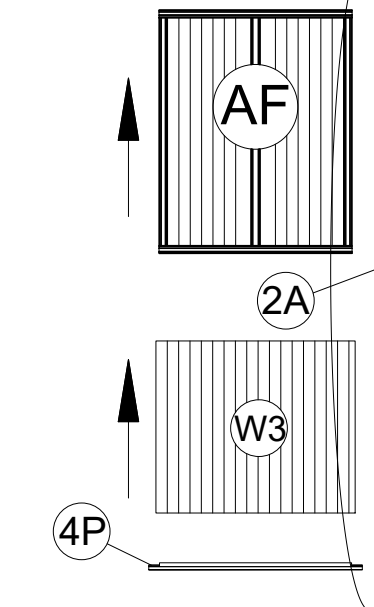
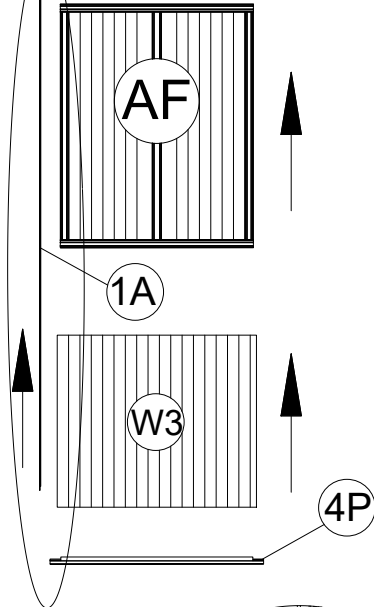
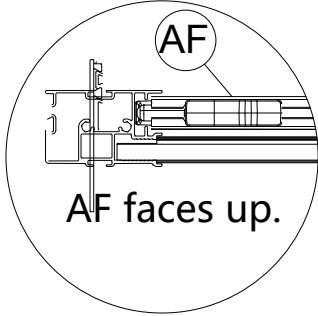
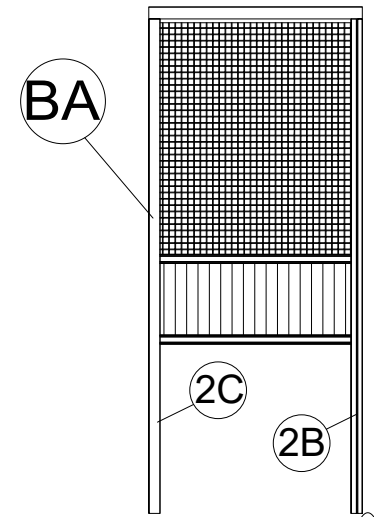
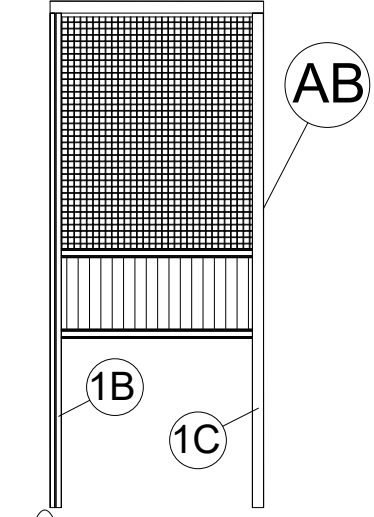


<29>

AB 2x

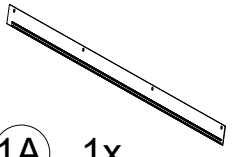
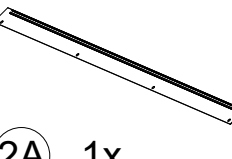
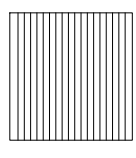
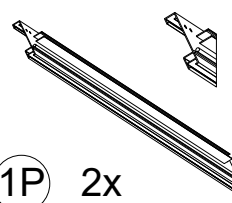
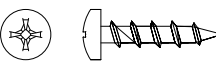
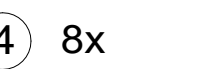
BA 2x

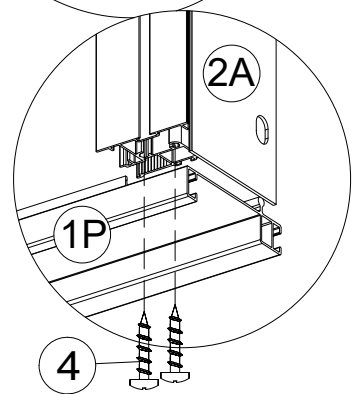
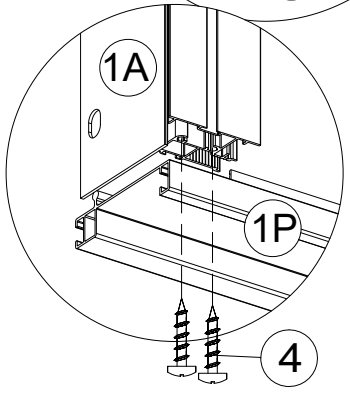
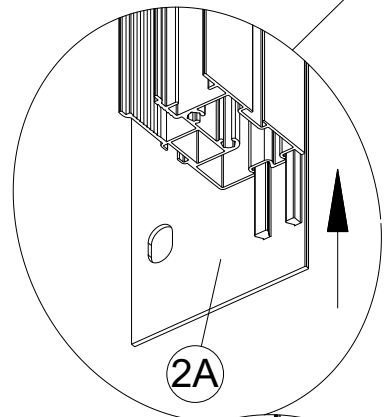
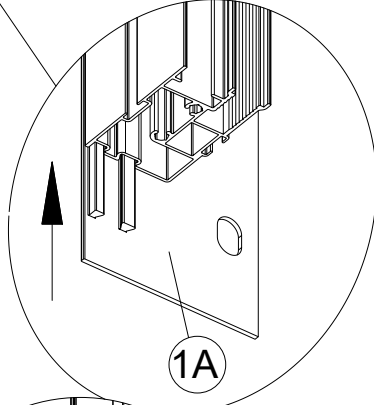
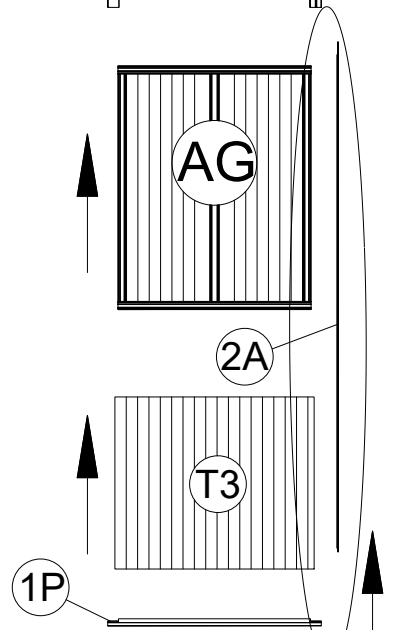
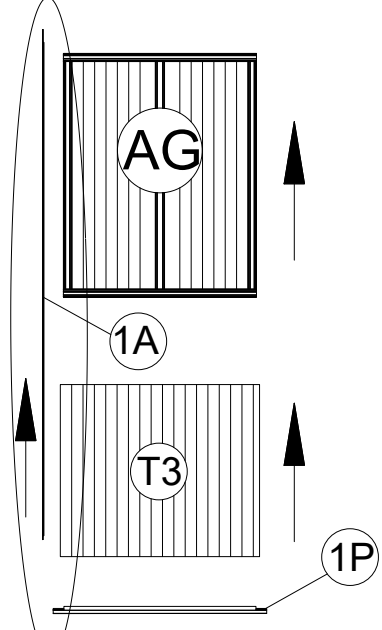
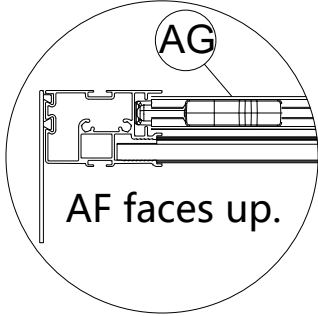
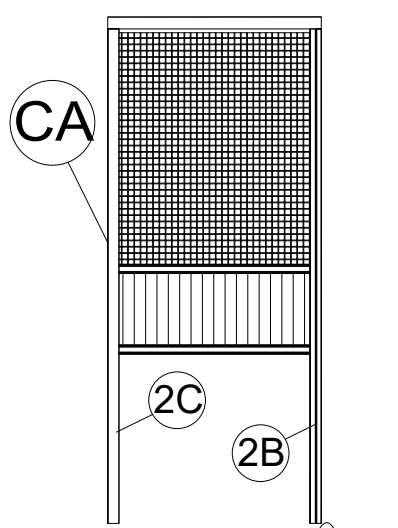
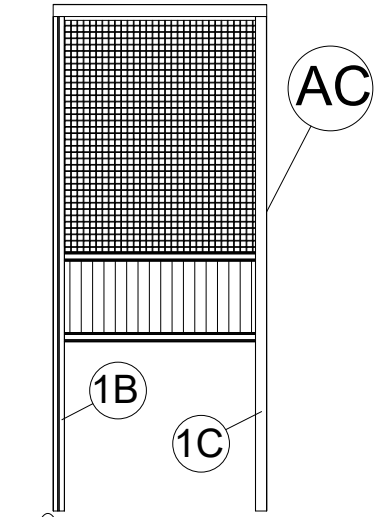
-  1A 2x
-  2A 2x
-  W3 4x
-  4P 4x
-  M4x20
-  4 16x

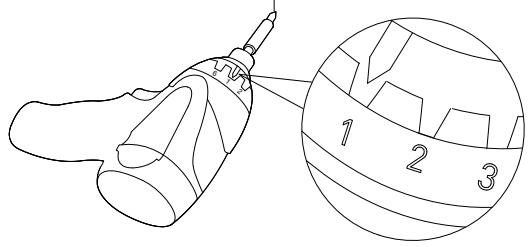
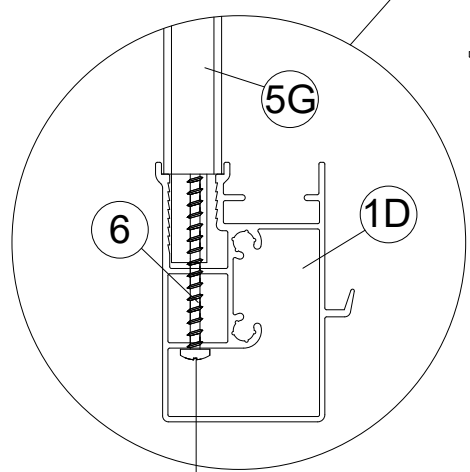
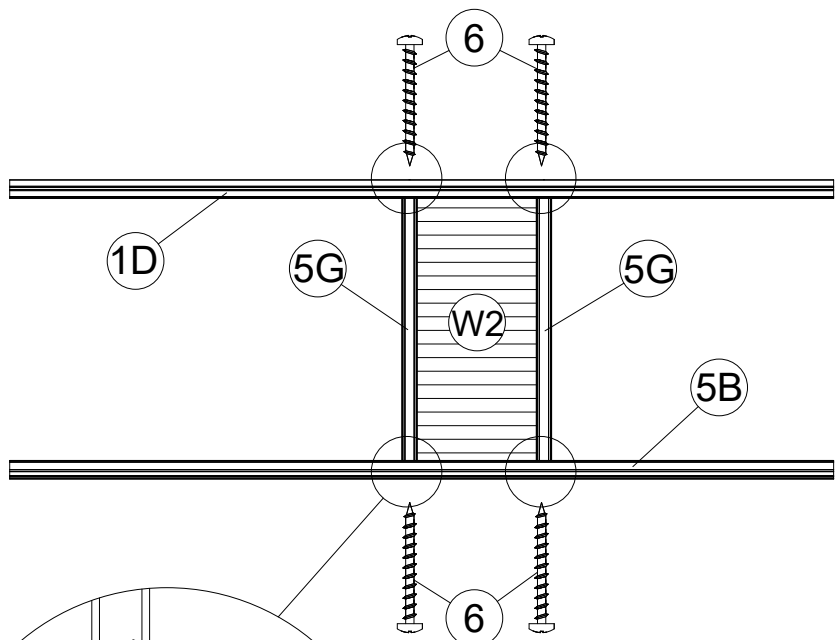
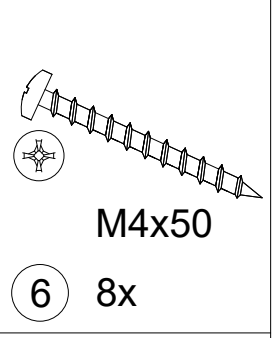
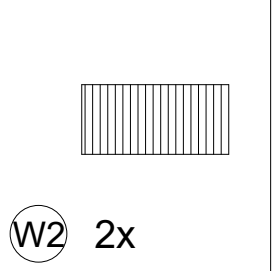
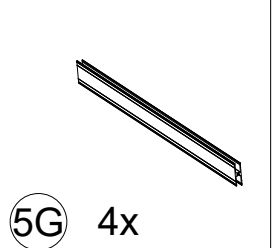
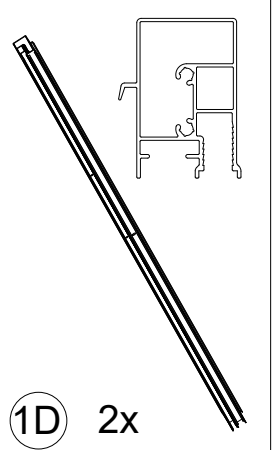
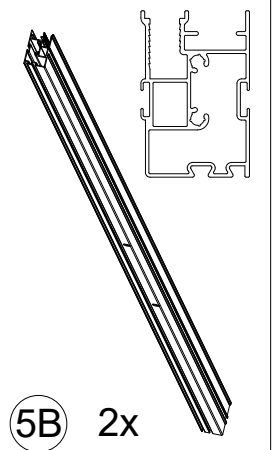


<30>

AC 1x CA 1x

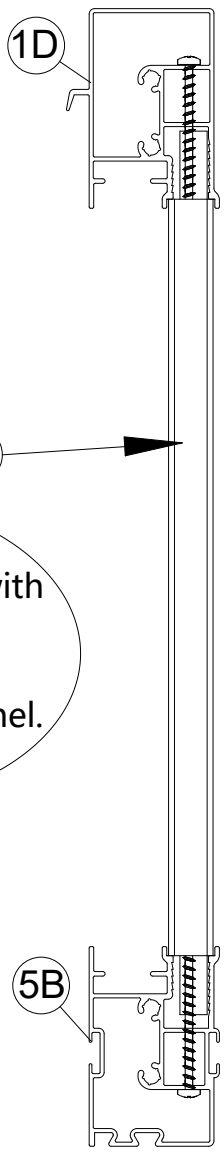
-  1A 1x
-  2A 1x
-  T3 2x
-  1P 2x
-  M4x20
-  4 8x





Select the low gear.

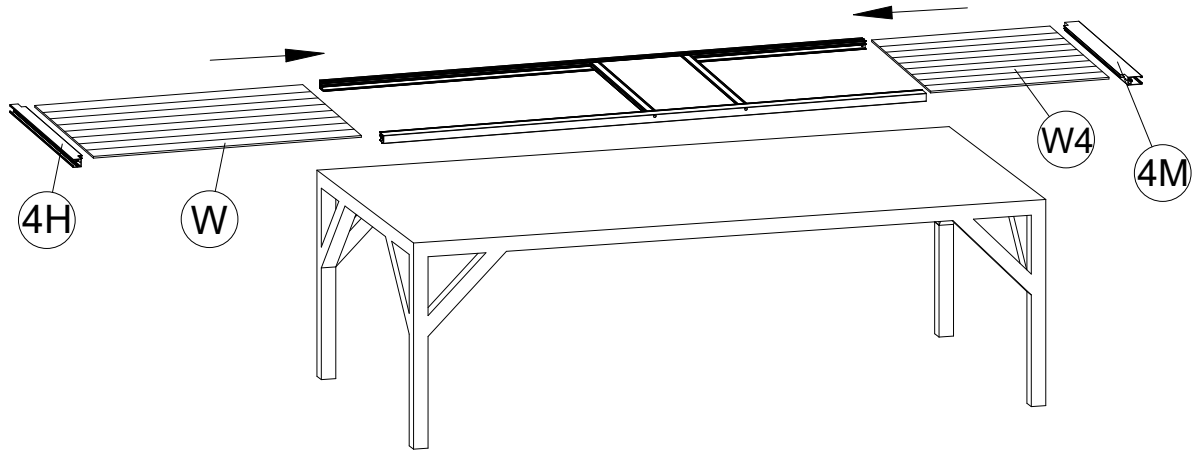
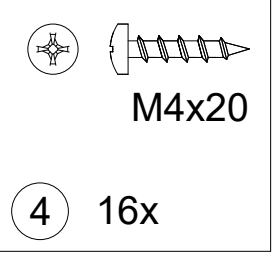
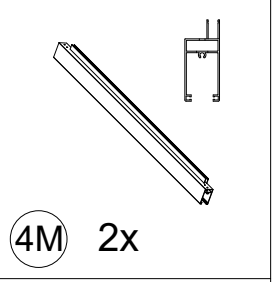
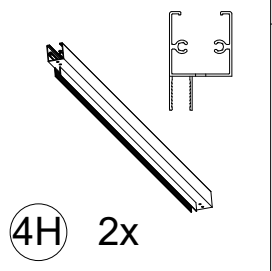
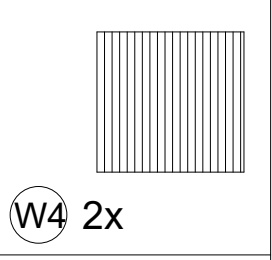
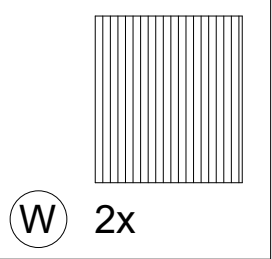
The side of PC Panel with text facing outwards, remove the protective film and install the panel.



The door frame installation template is shown on pages 41 to 43. All subsequent door frames should follow this template.

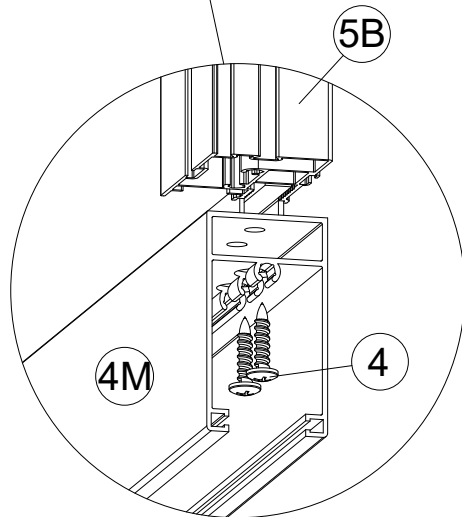
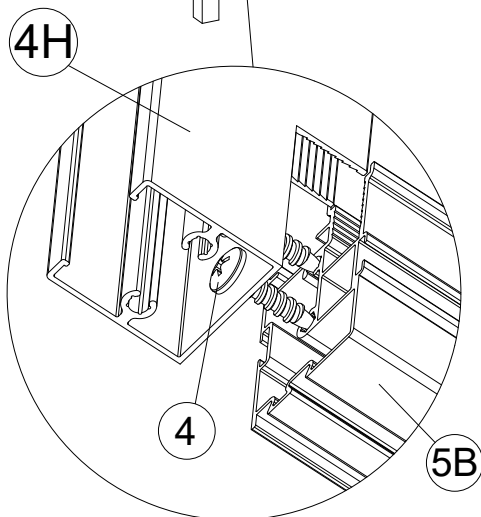
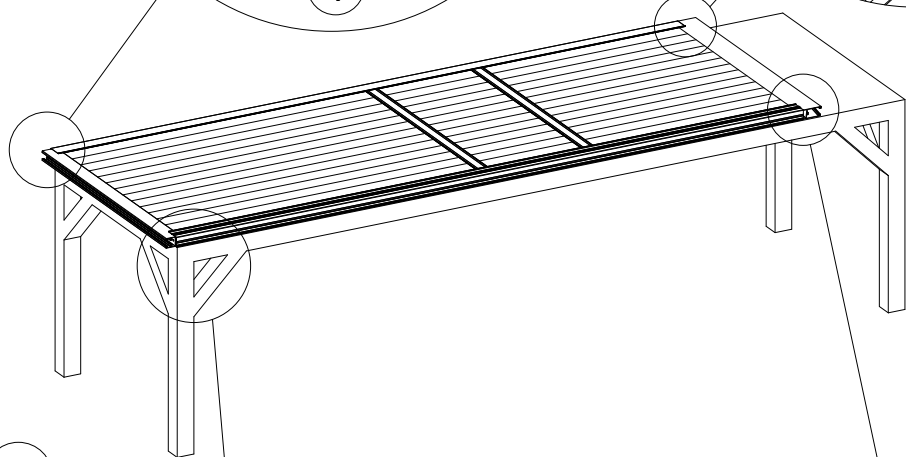
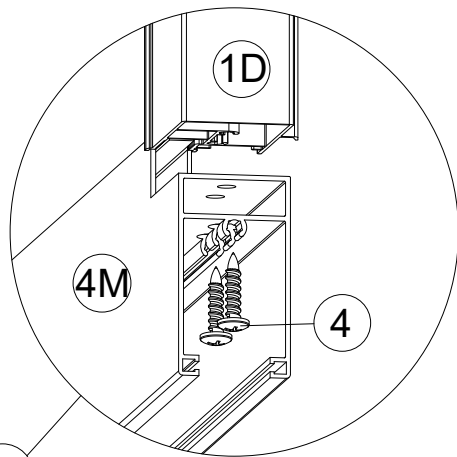
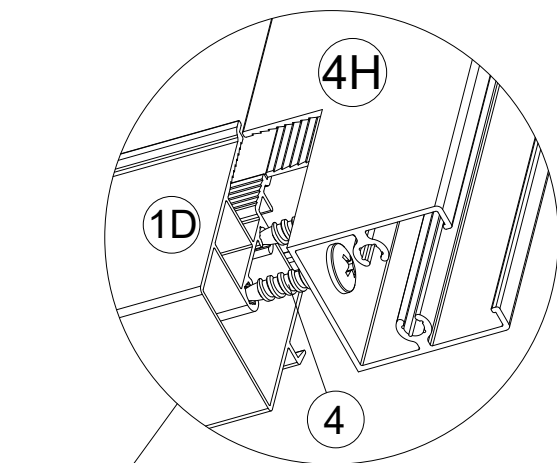
<32>

AD 2x



This diagram is for subsequent reference.

General diagram of AD, DA, AE, and EA components.



<33>

Install door frame DA,
AE, EA according to
the installation on
pages 41 to 43.

4H 2x

4M 2x

W 2x

W2 2x

W4 2x

5G 4x

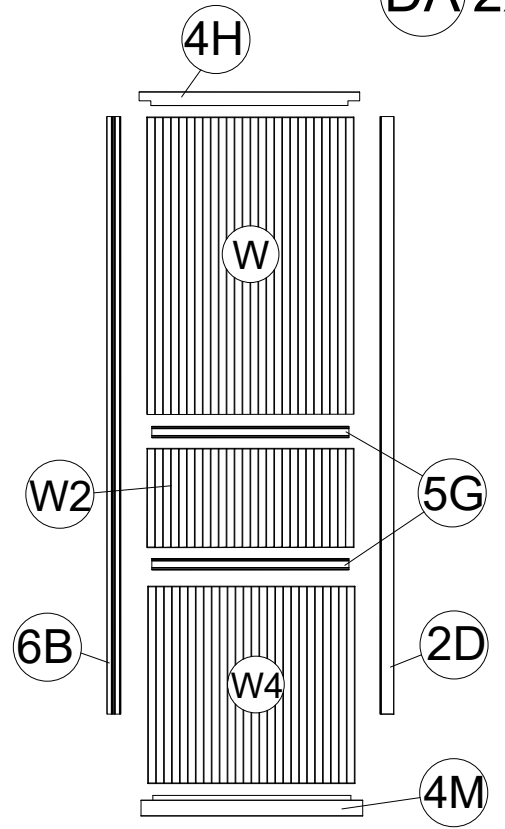
6B 2x

2D 2x

6 8x

4 16x

DA 2x



1H 1x

1M 1x

T 1x

T2 1x

T4 1x

2G 2x

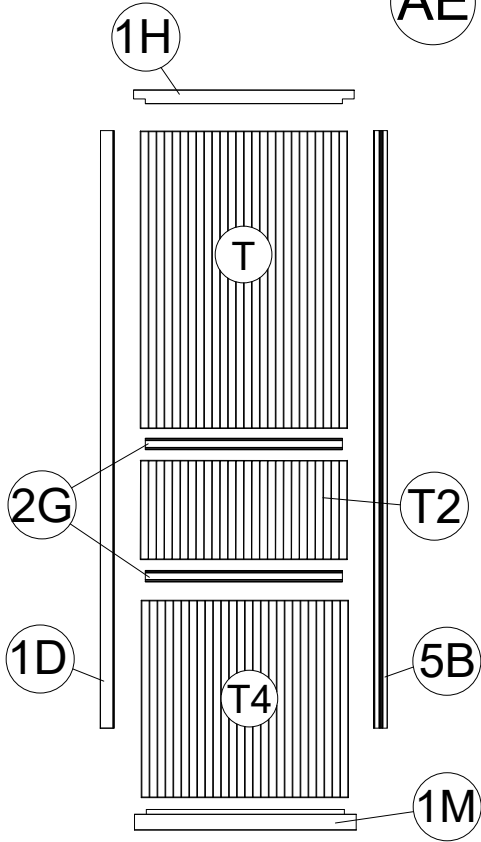
5B 1x

1D 1x

6 4x

4 8x

AE 1x



1H 1x

1M 1x

T 1x

T2 1x

T4 1x

2G 2x

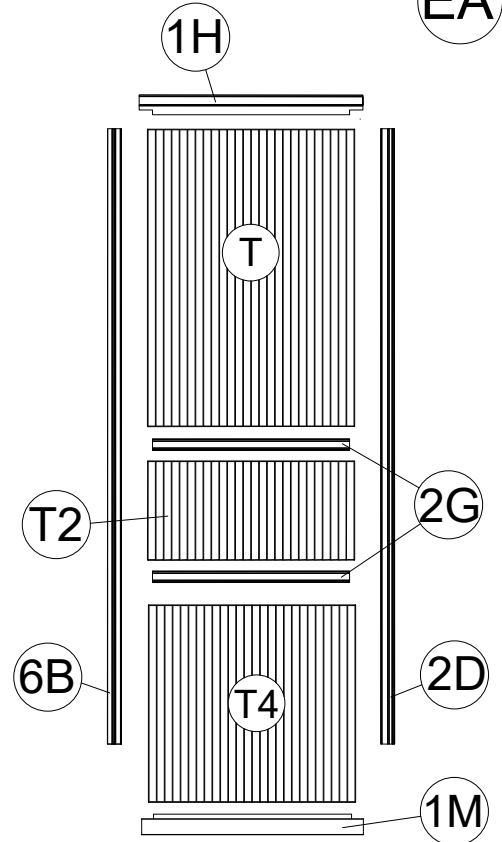
6B 1x

2D 1x

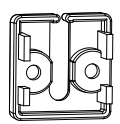
6 4x

4 8x

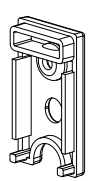
EA 1x



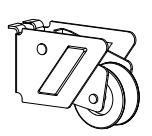
<34>



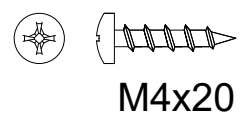
D5 4x



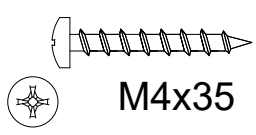
D4 4x



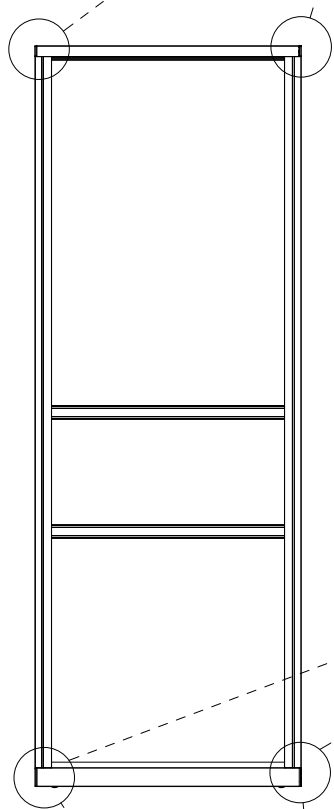
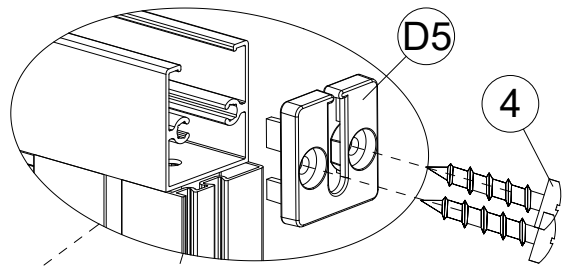
4-1 4x



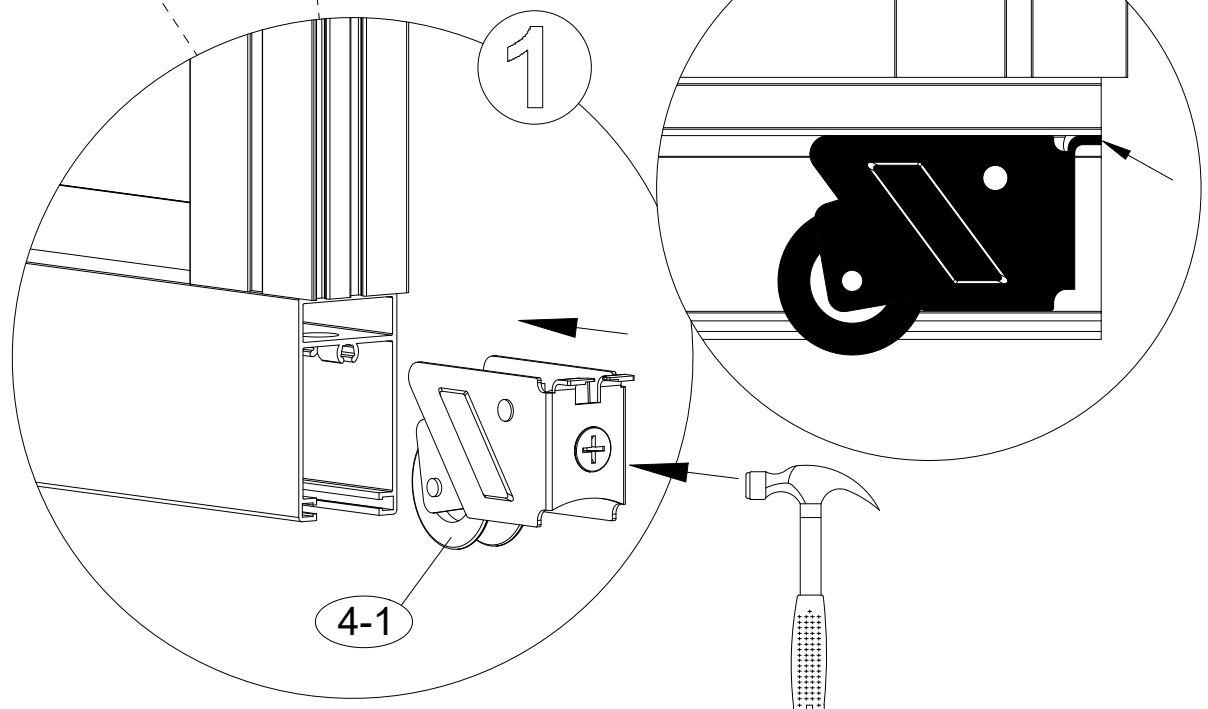
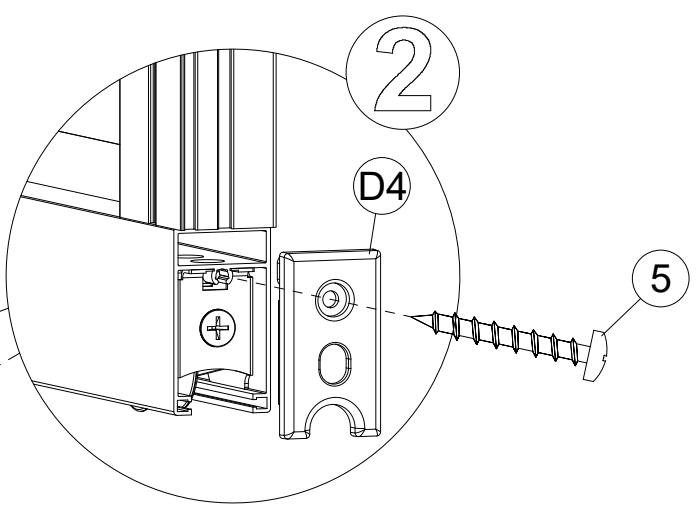
4 8x



5 4x



The door frame installation template is shown on pages 44 to 45. All subsequent door frames should follow this template.



Tap gently so that the pulley is flush with the profile.

<35>

Install door frame DA,
AE, EA according to the
installation on pages 44
to 45.

D4 4x

D5 4x

4-1 4x

4 8x

5 4x

D5

DA 2x

D4

4-1

D5

EA x1

D4

4-1

D4 2x

D5 2x

4-1 2x

4 4x

5 2x

AE x1

D4 2x

D5 2x

4-1 2x

4 4x

5 2x

D5

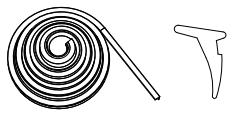
D4

4-1

D5

D4

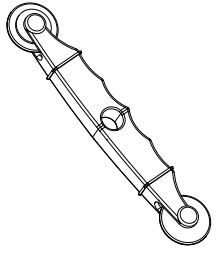
4-1



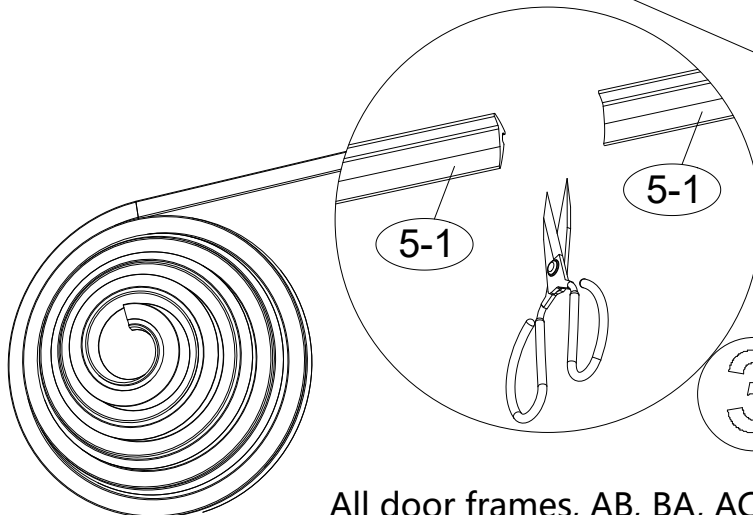
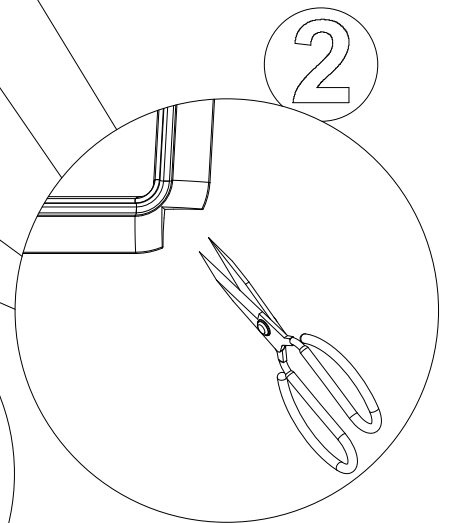
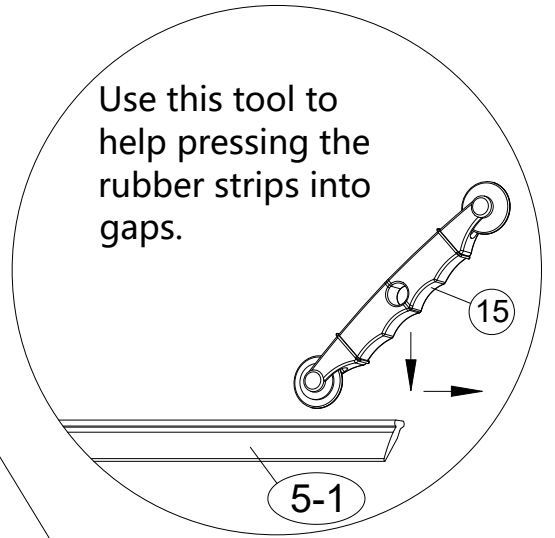
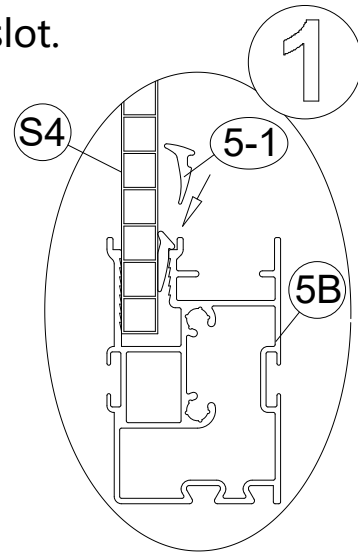
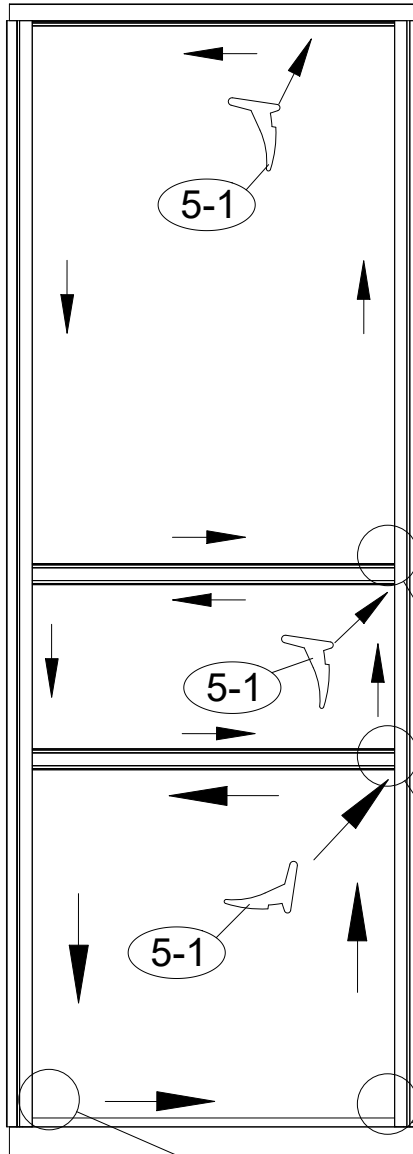
<36>

Before installation, wet the rubber strips "5-1" with water to make it easier to stick into the slot.

5-1 2x



15 1x

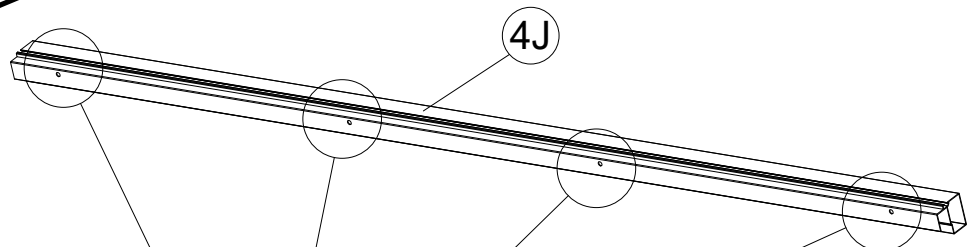


46

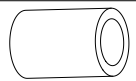
All door frames, AB, BA, AC, CA, AD, DA, AE, EA, AF,AG install in the same way.

<37>

x2

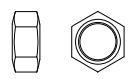


4J 2x



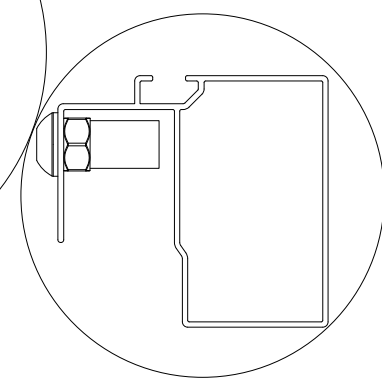
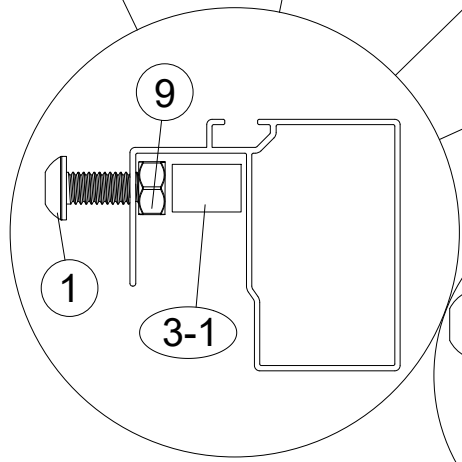
6.2*11*15

3-1 8x



M6

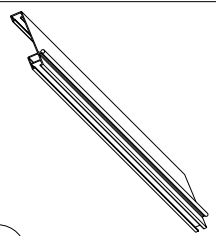
9 8x



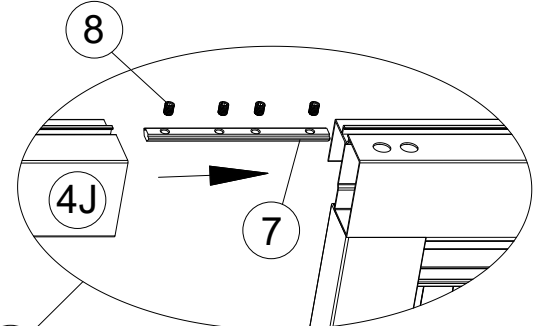
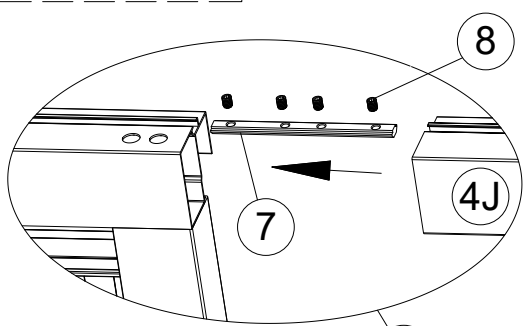
M6x15

1 8x

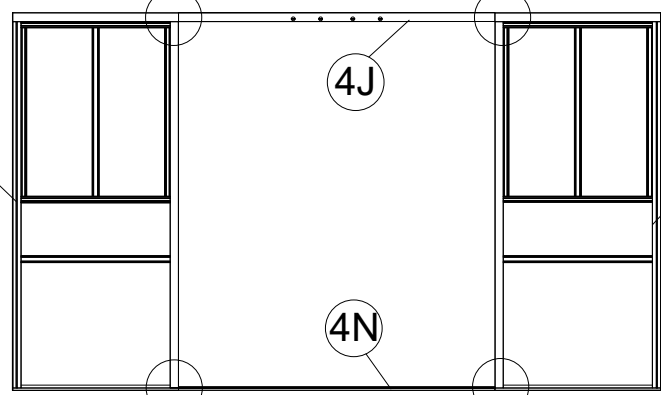
x2



4N 2x

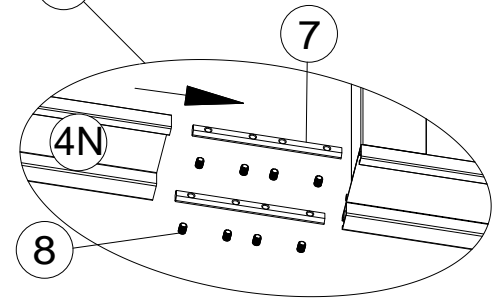
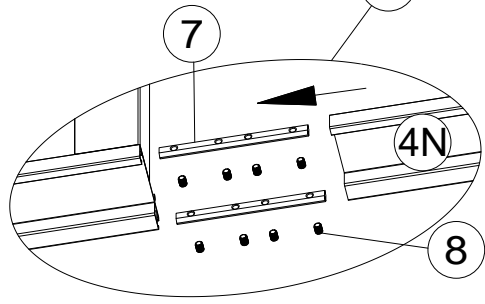


7 12x



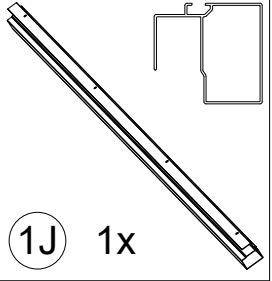
M5*6

8 48x

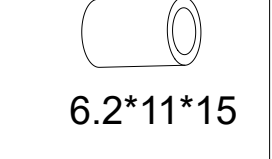


47

<38>

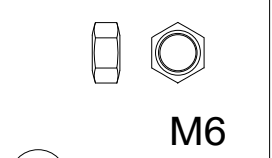


1J 1x



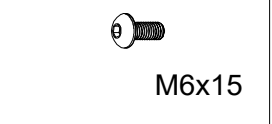
6.2*11*15

3-1 4x



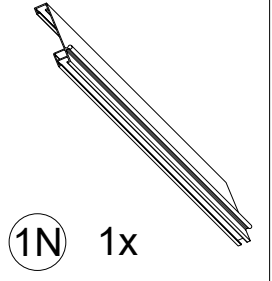
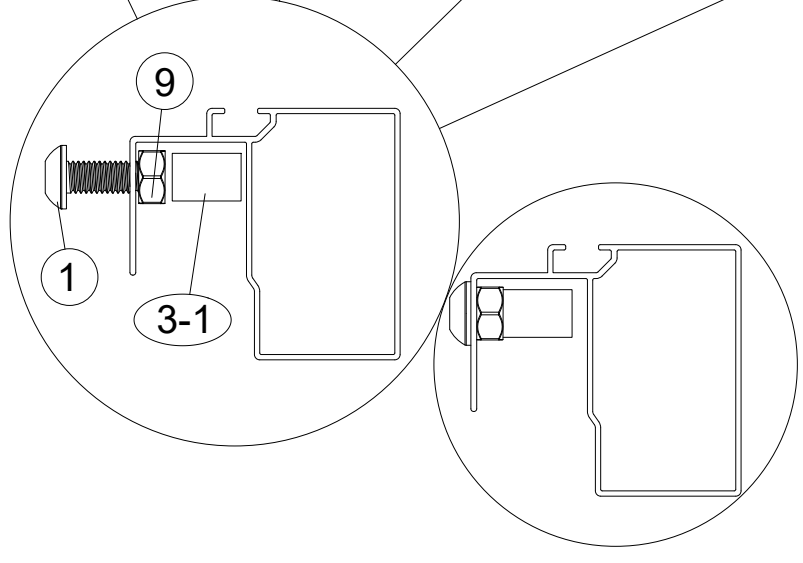
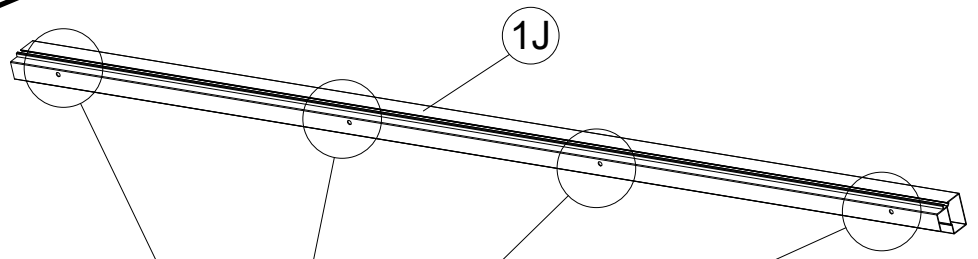
M6

9 4x

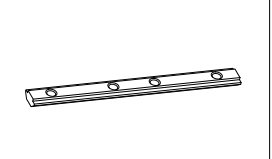


M6x15

1 4x



1N 1x

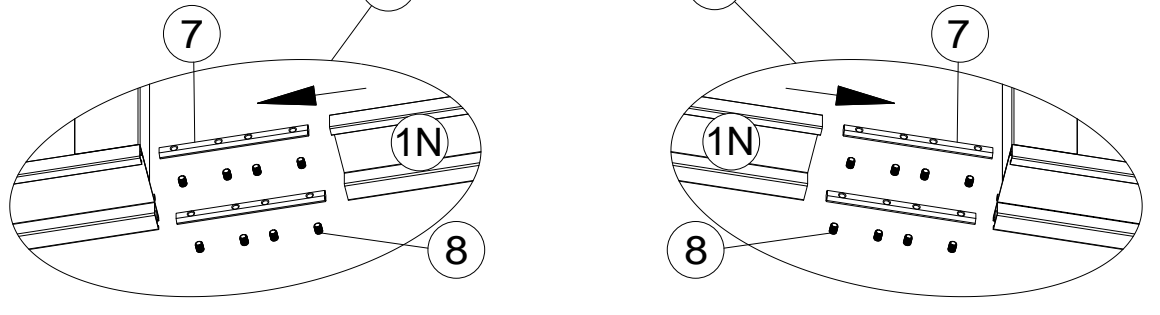
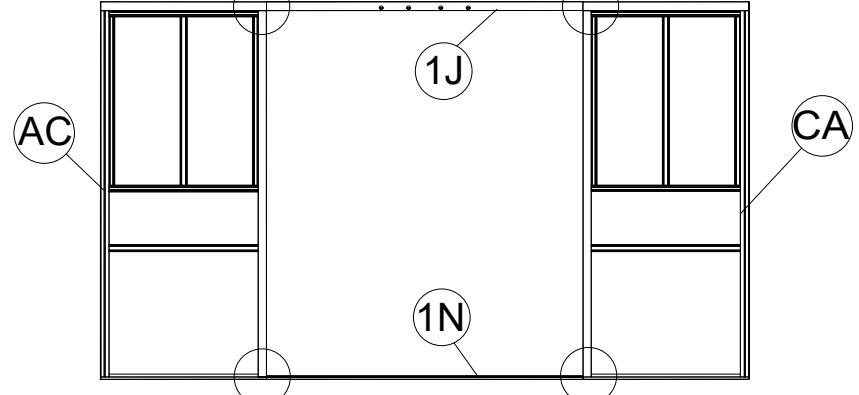
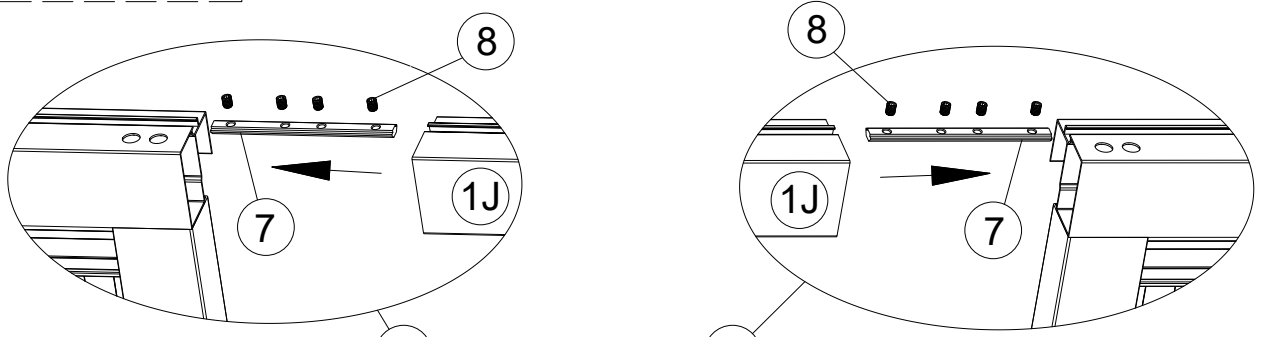


7 6x



M5*6

8 24x



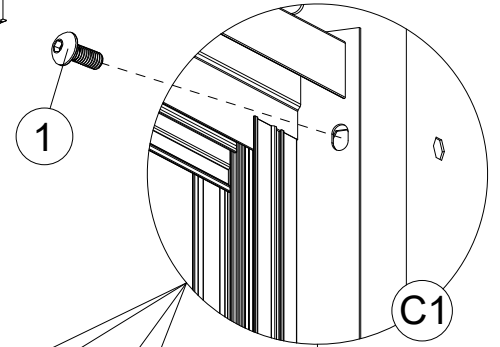
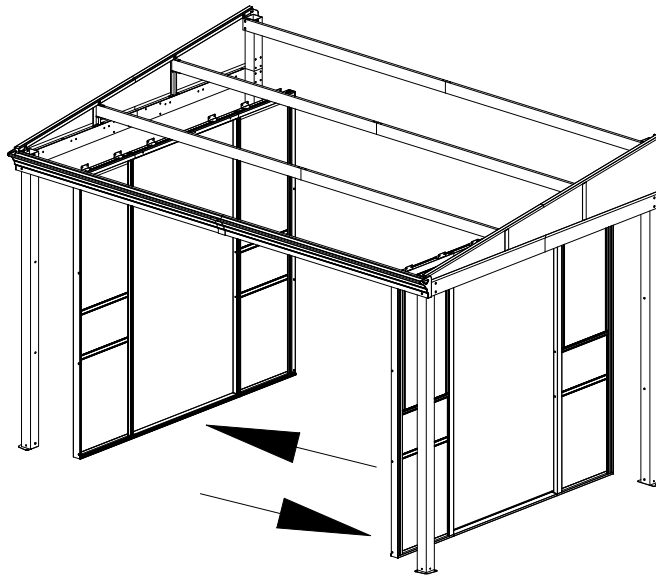
48



M6x15

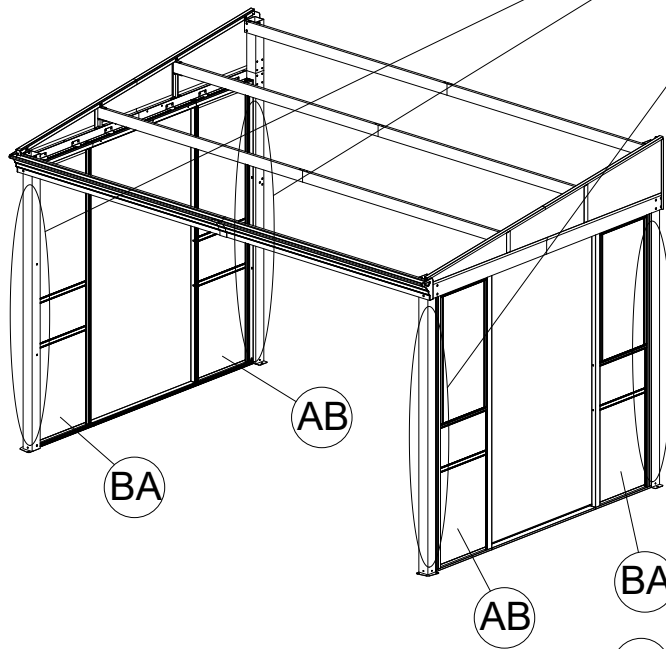
<39>

1 16x



1

C1
&
C1-1
&
C2
&
C2-1

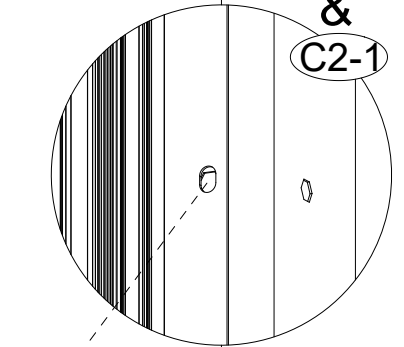


BA

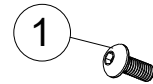
AB

AB

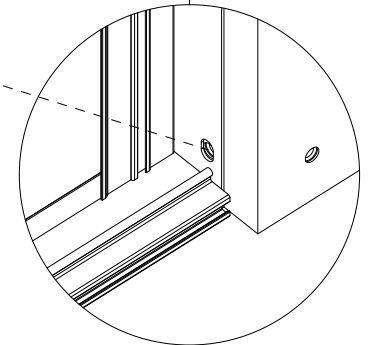
BA

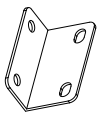


1



1





<40>

Q2 12x



M5

10 24x



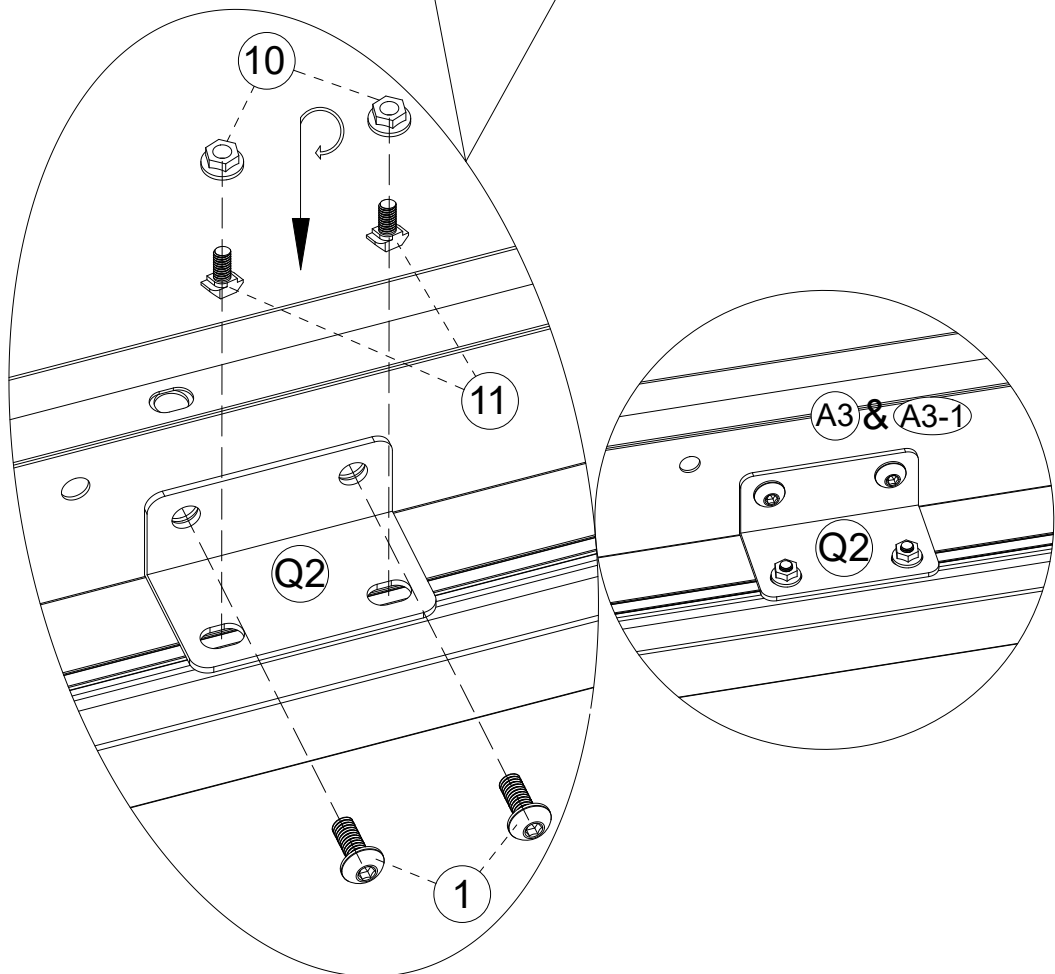
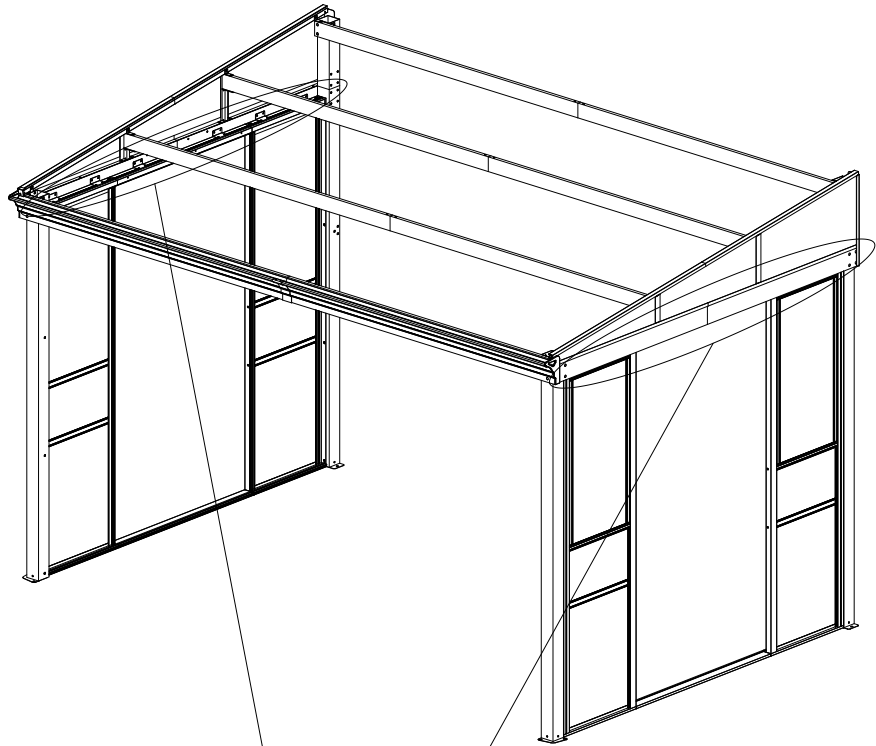
M5x12

11 24x



M6x15

1 24x

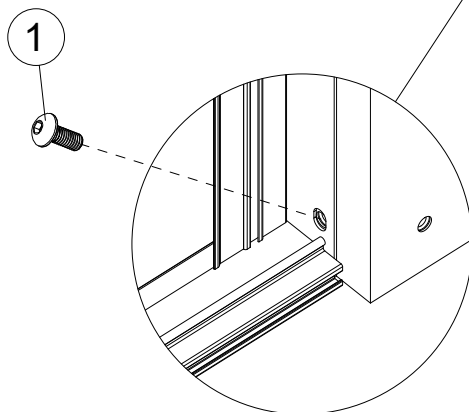
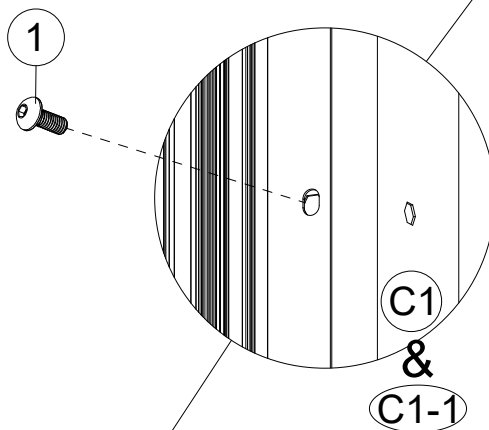
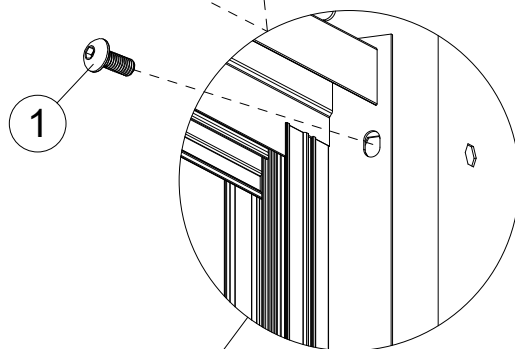
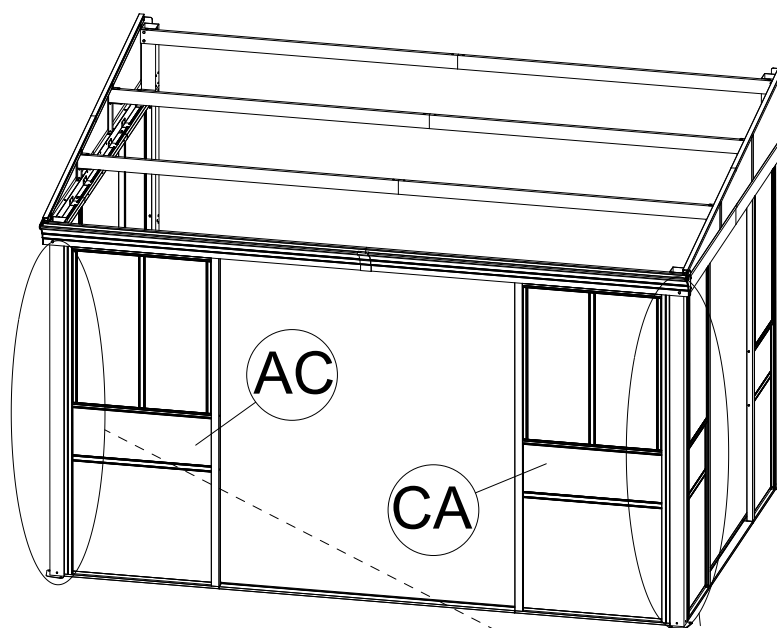


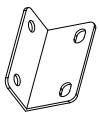


<41>

M6x15

1 8x





<42>

Q2 6x



M5

10 12x



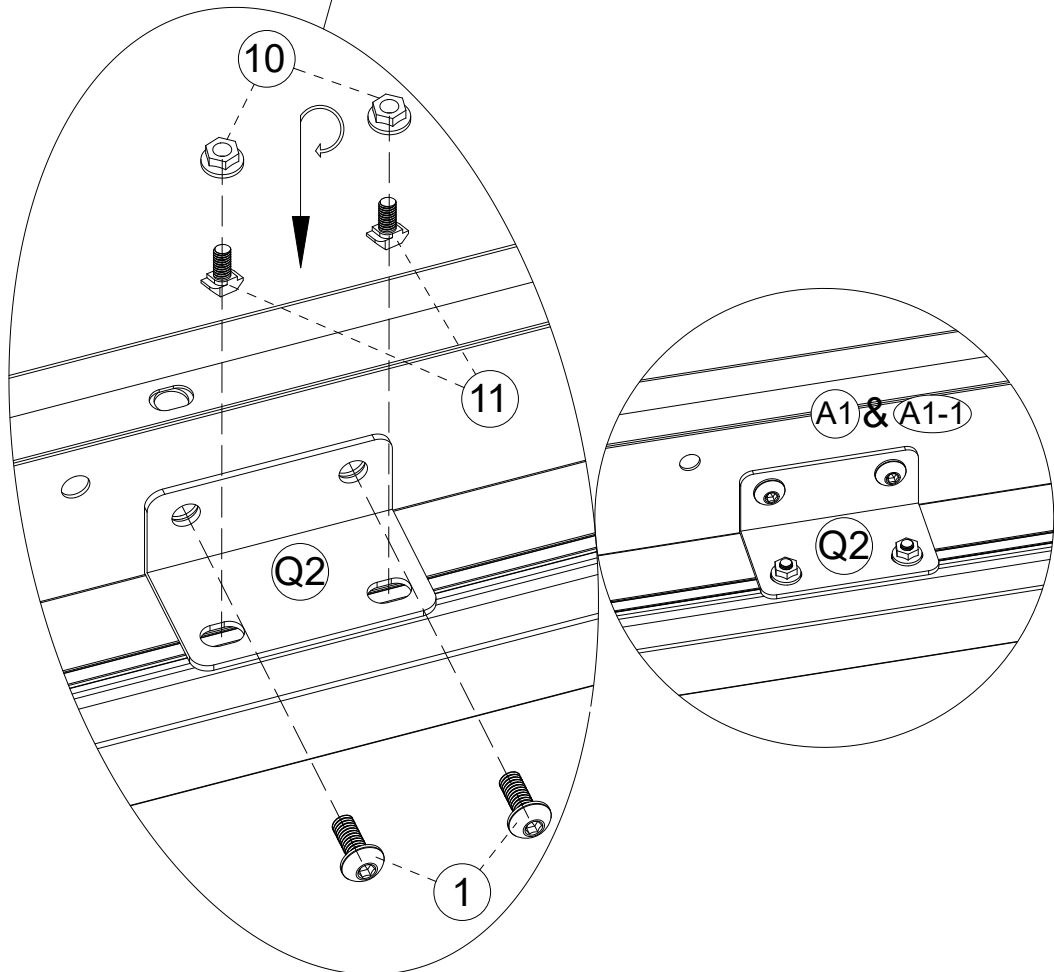
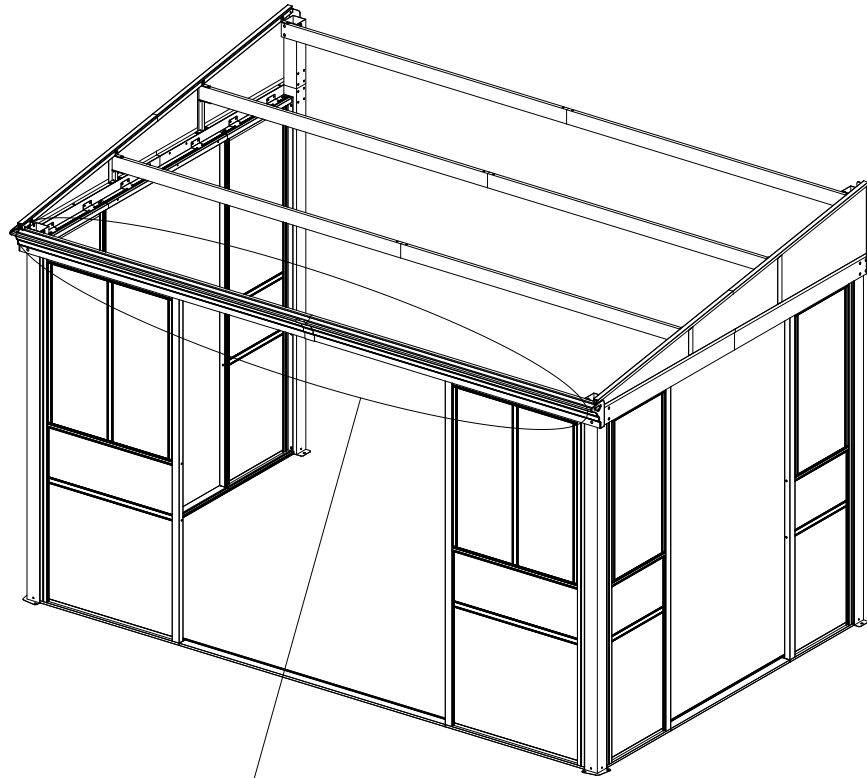
M5x12

11 12x

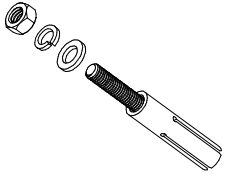


M6x15

1 12x

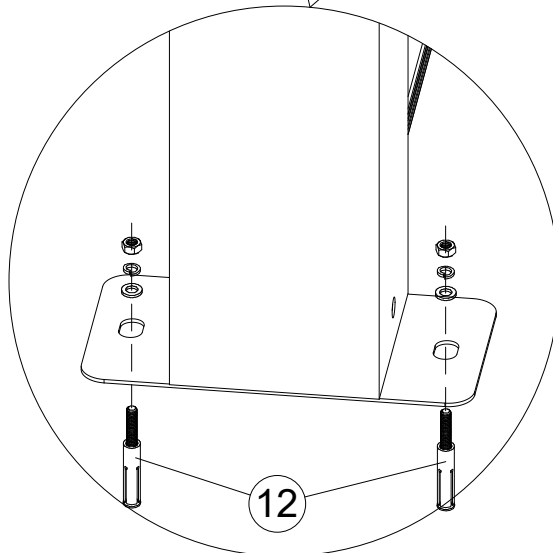
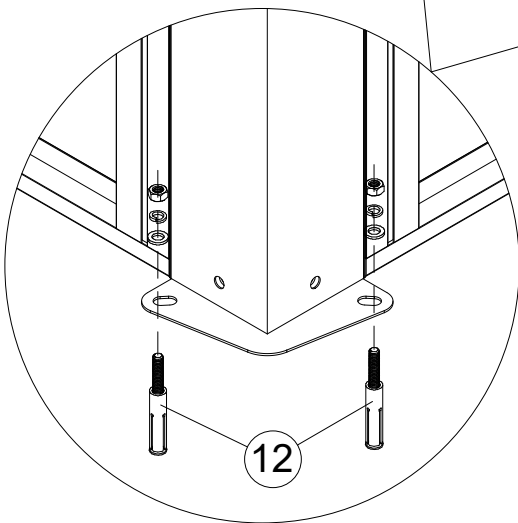
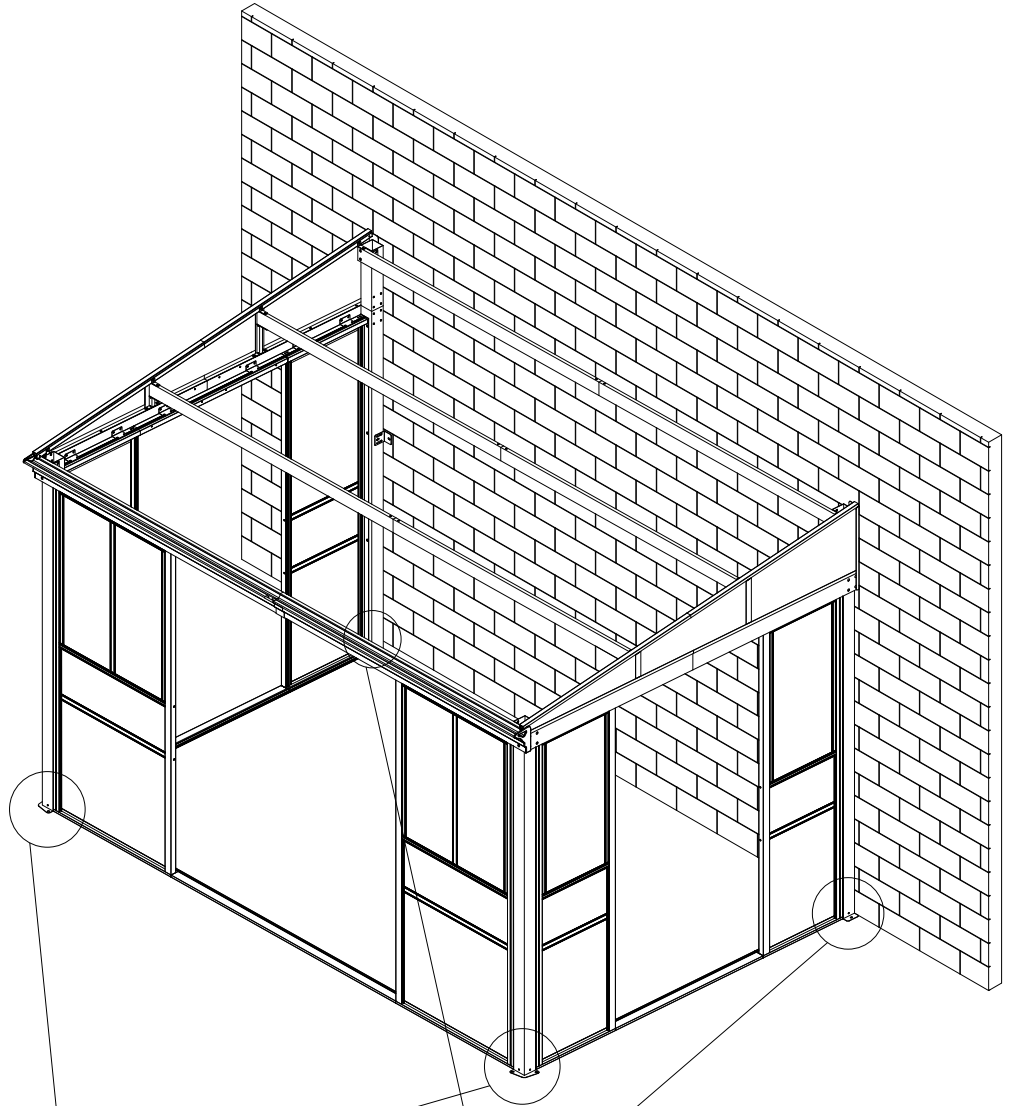


<43>

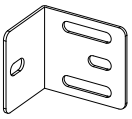


12 8x

Please install it
on a level floor.



<44>

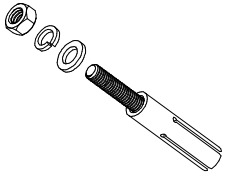


Q3 2x

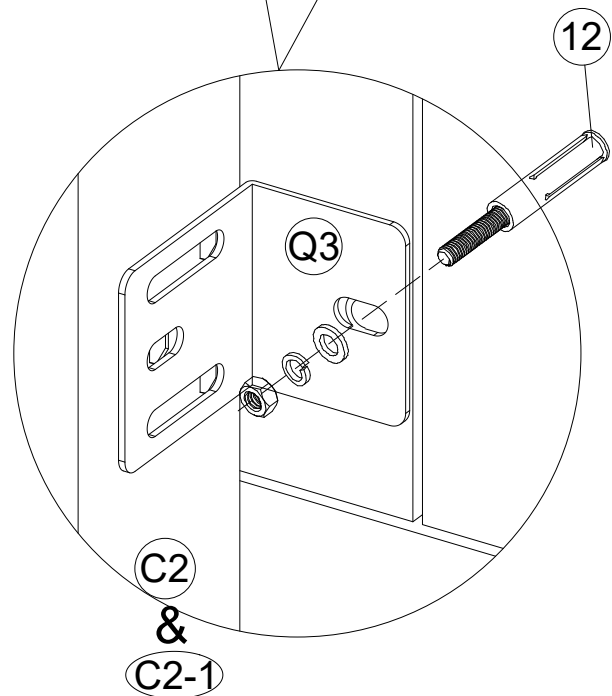
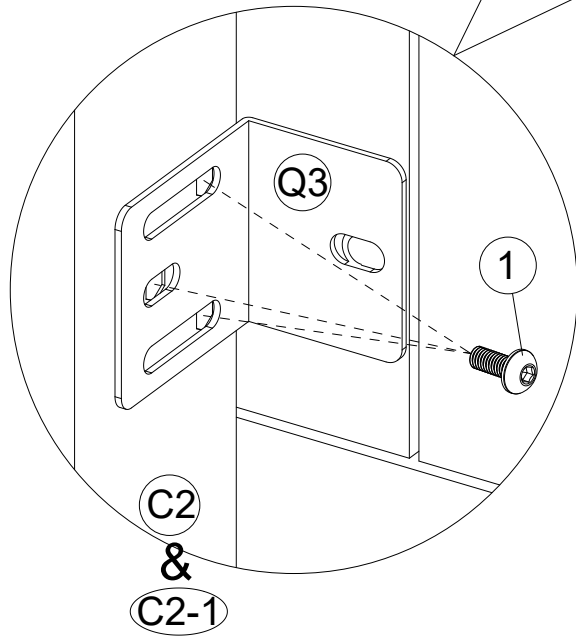
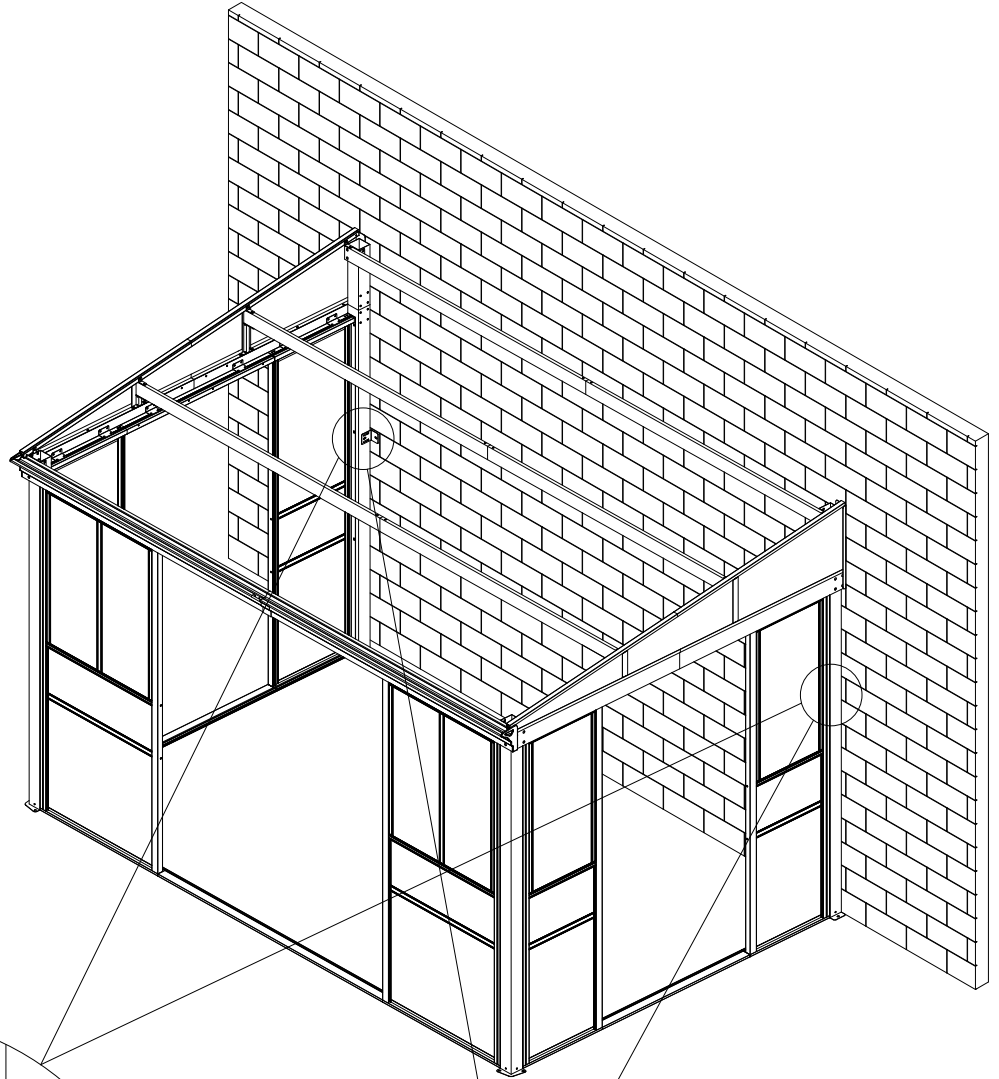


M6x15

1 6x



12 2x



<45>

DA 2x EA 1x

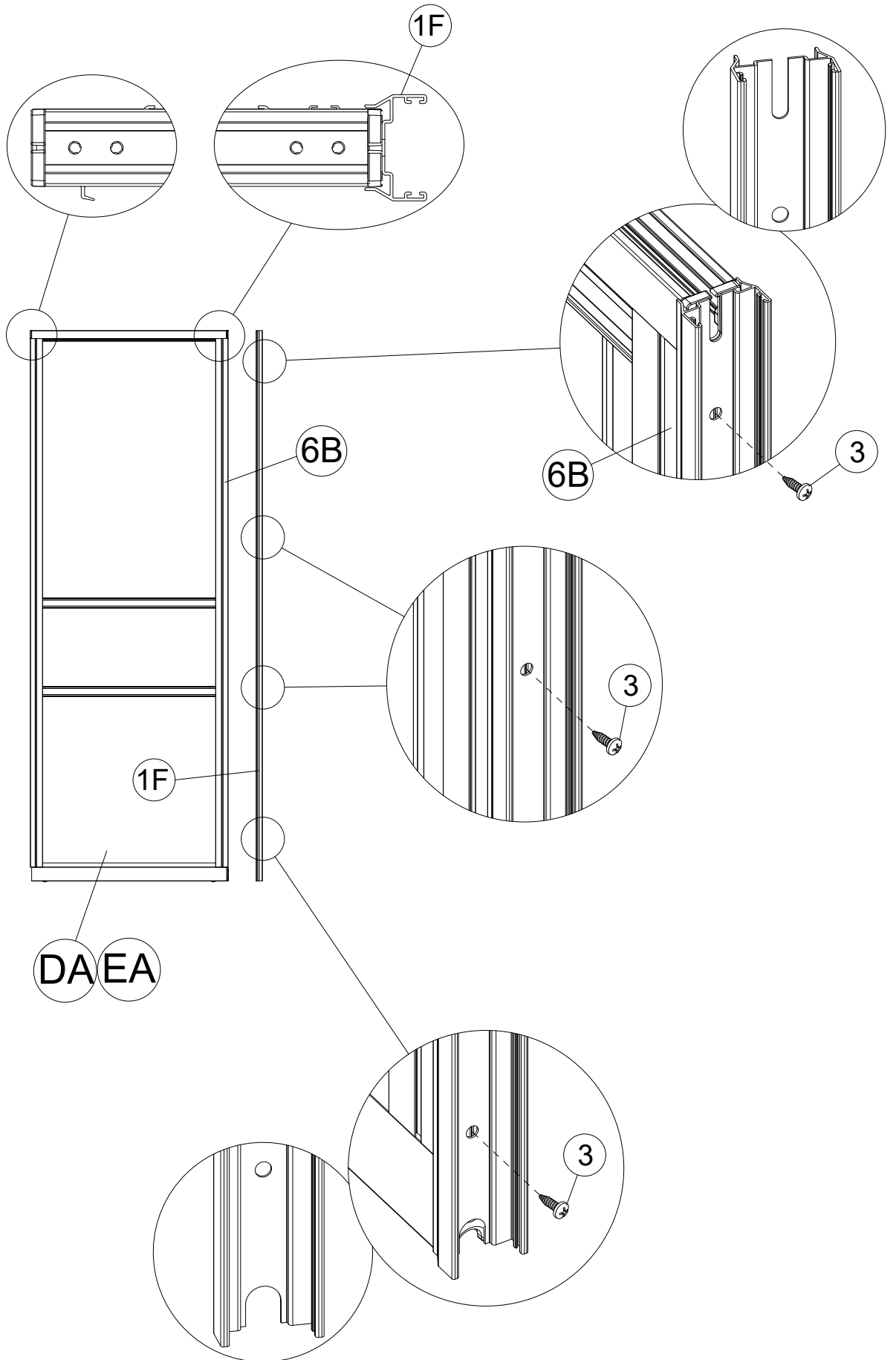
Pay attention to the left and right orientation when installing the door.

1F 3x



ST 4.8x12

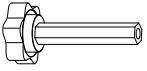
3 12x



<46>

DA 2x

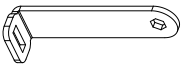
EA 1x



U1 3x



U2 3x

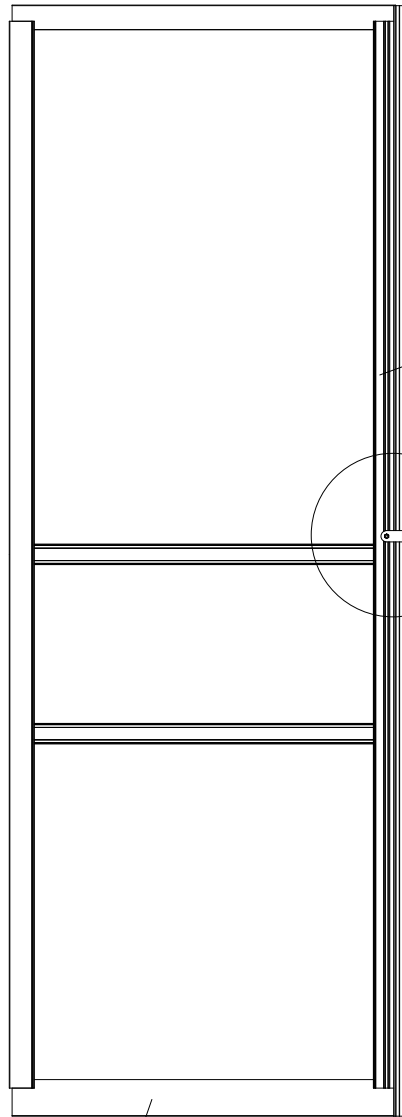


U3 3x



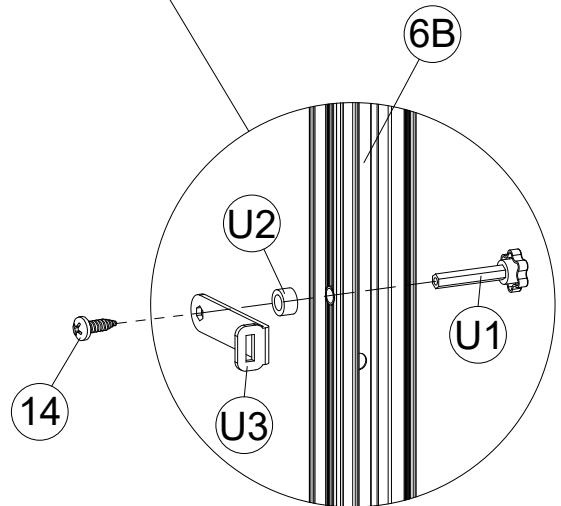
M4x12

14 3x



6B

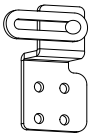
DA EA



<47>

AD 2x

AE 1x

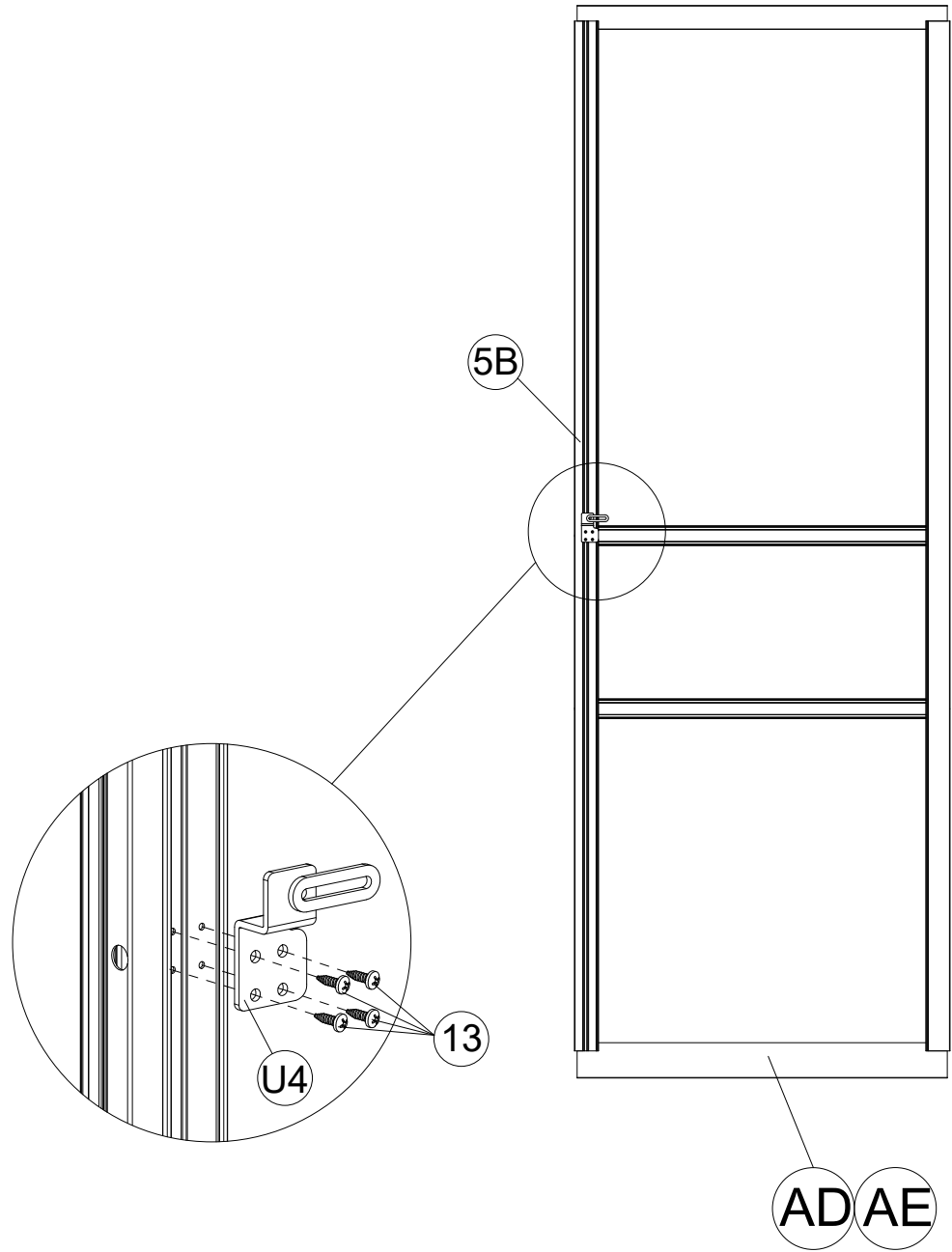


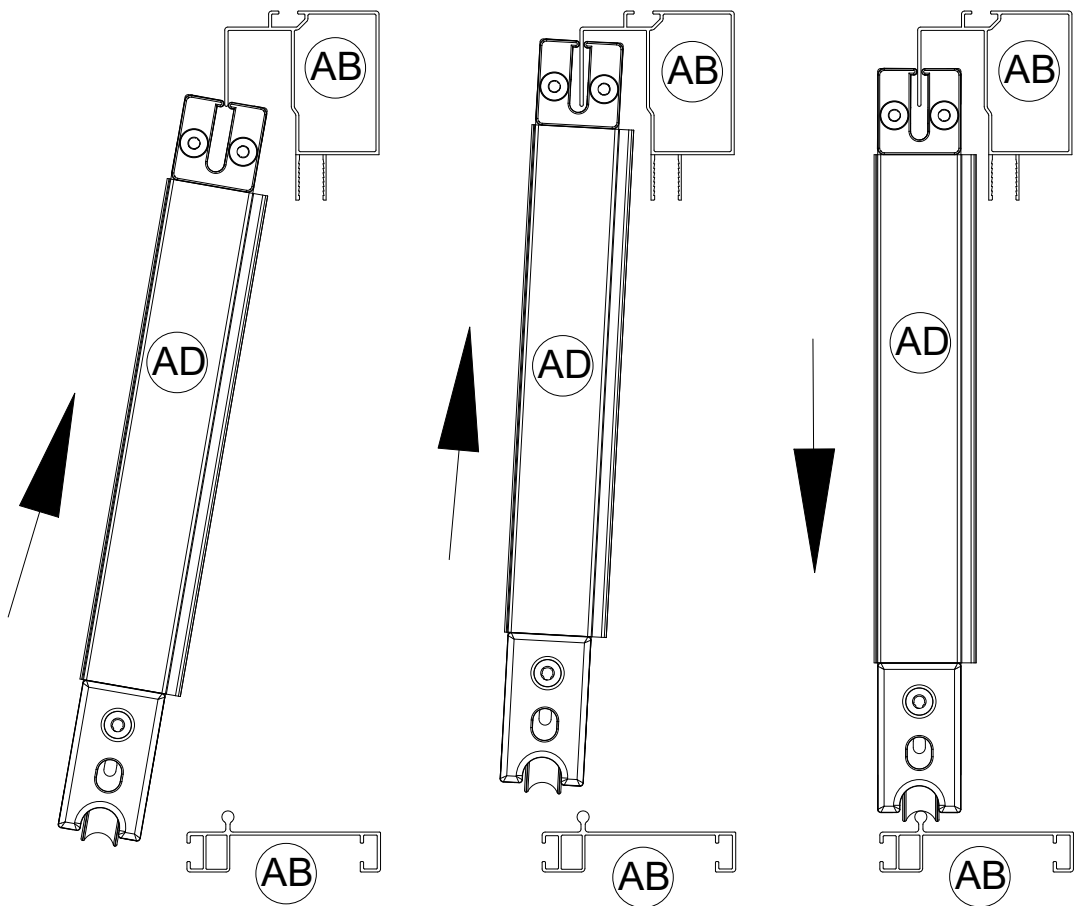
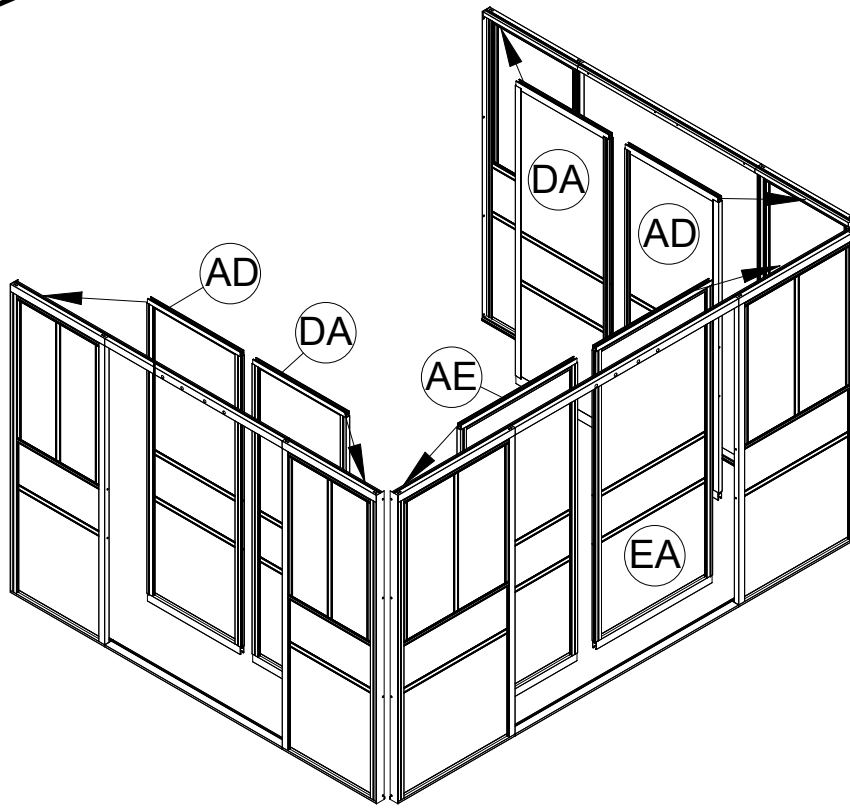
U4 3x



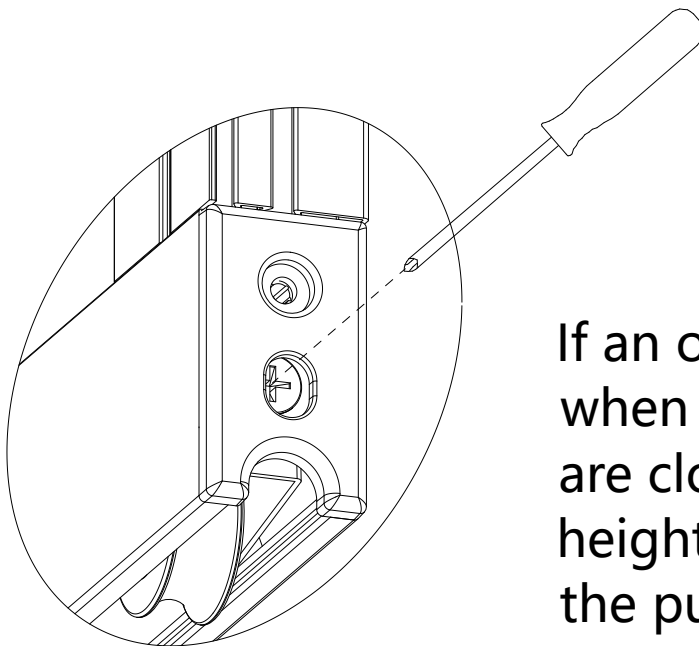
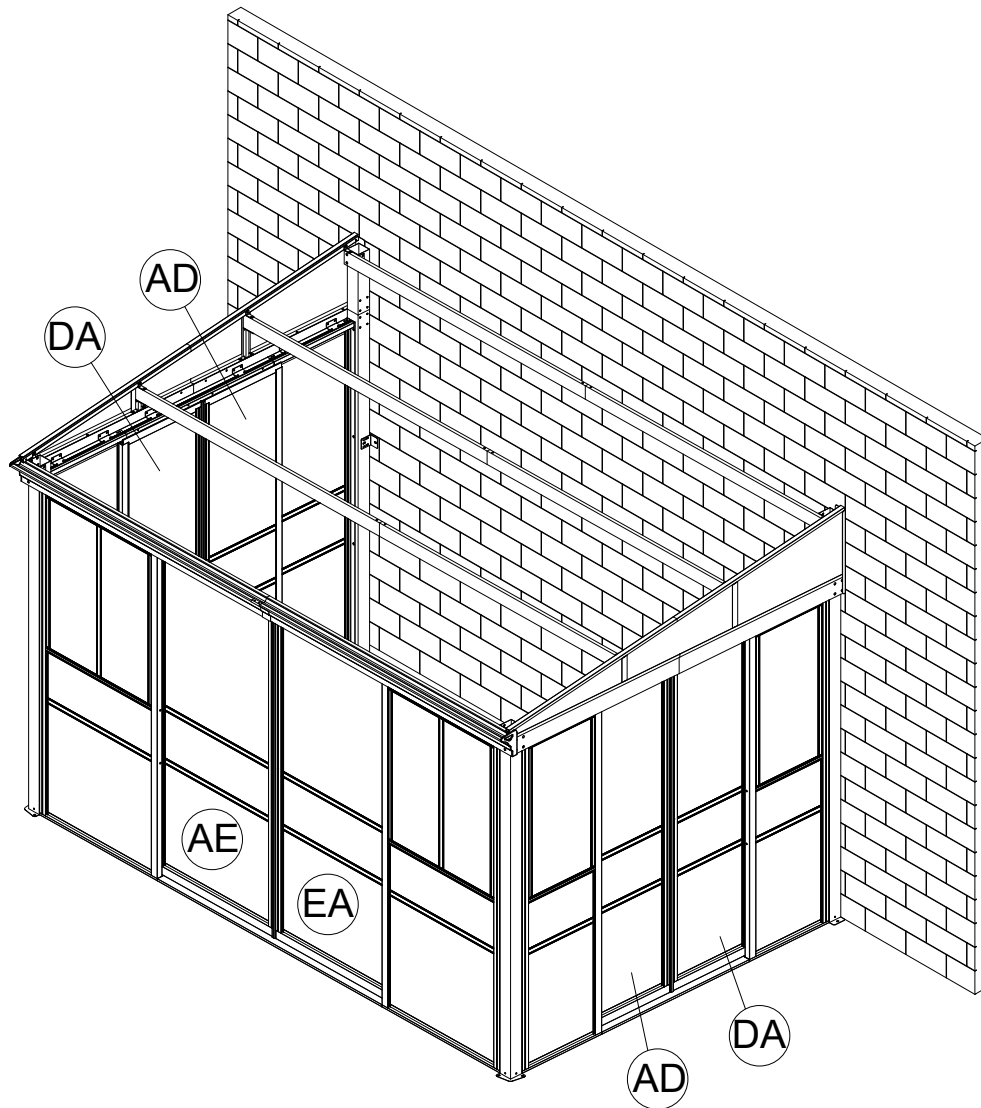
M5x15

13 12x



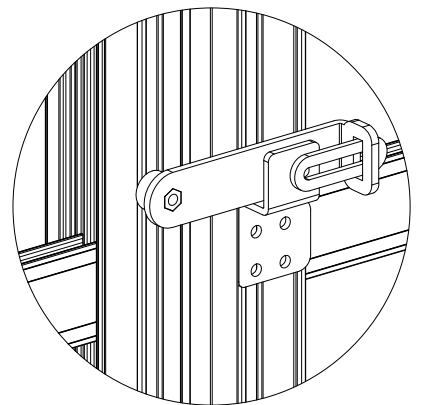
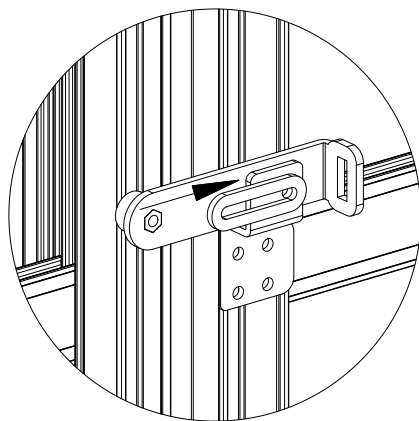
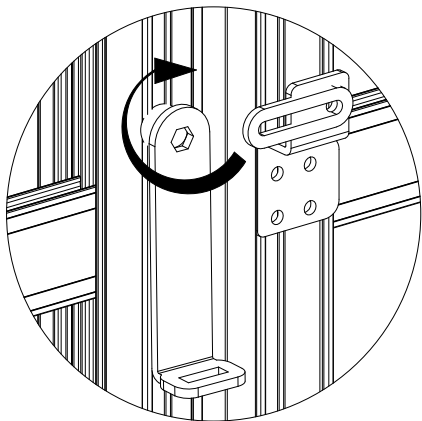
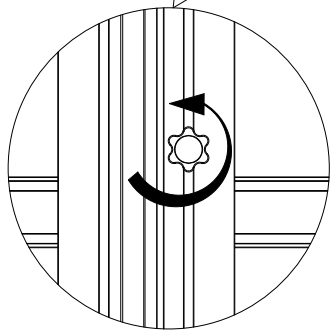
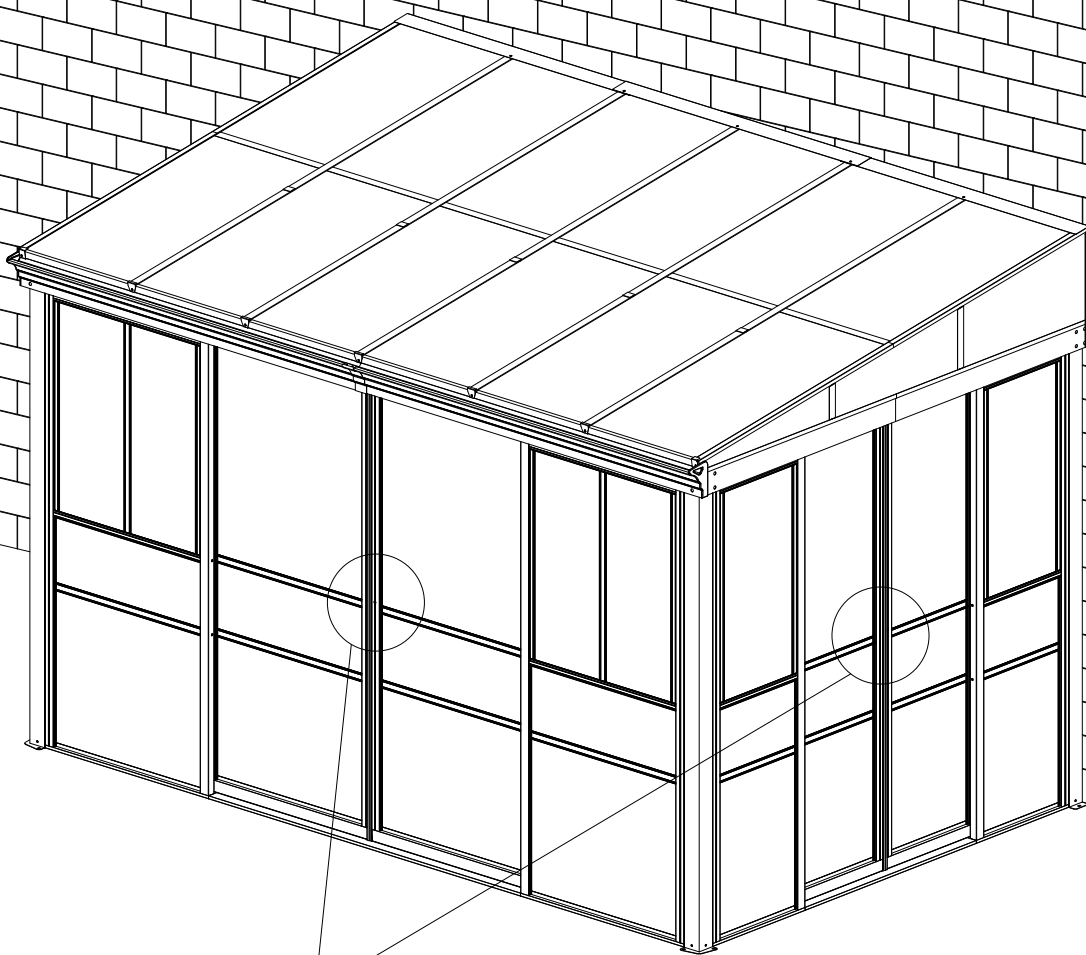


Repeat the previous steps for other components.



If an obvious gap appears when the two sliding doors are closed, adjust the pulley height using the screw on the pulley.

<50>



60