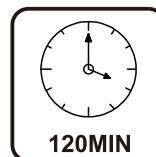
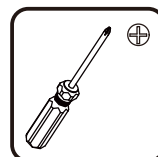
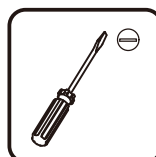
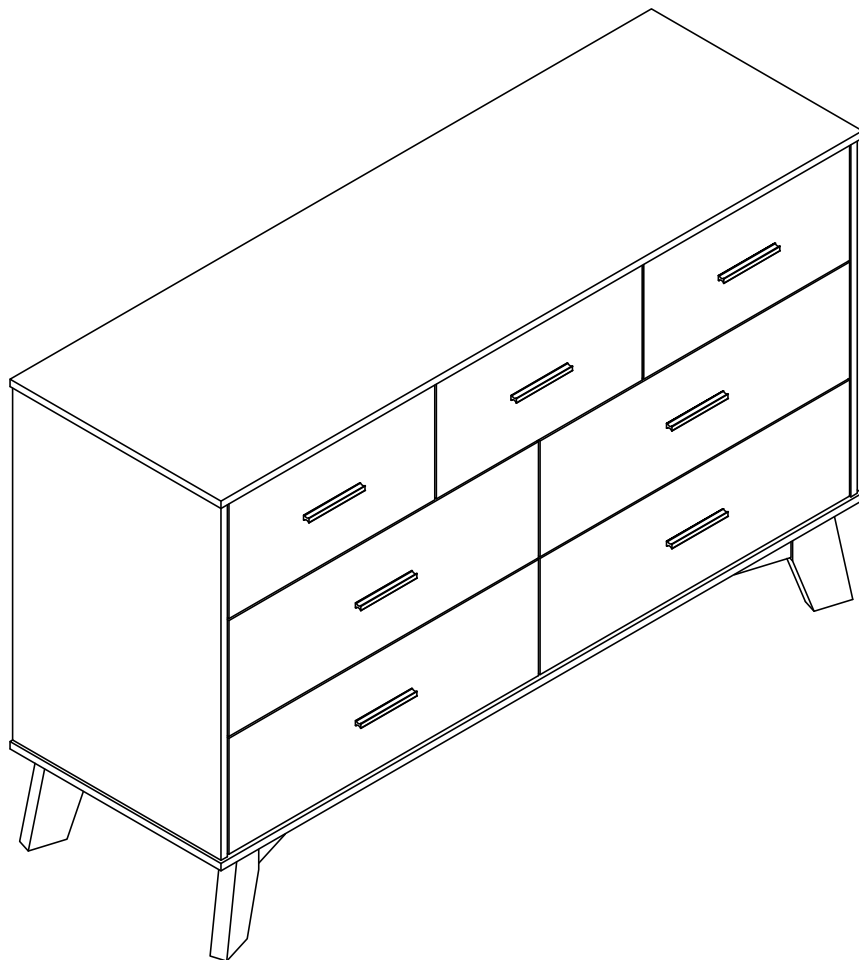
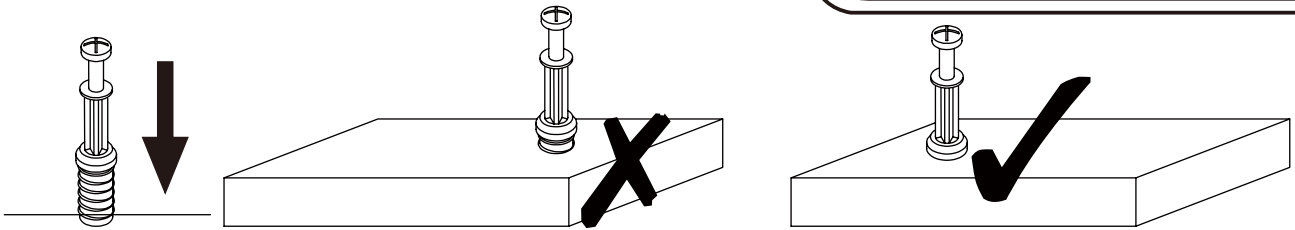


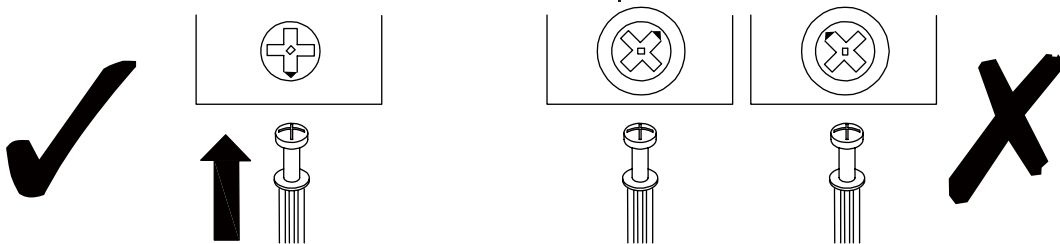
Installation & Assembly



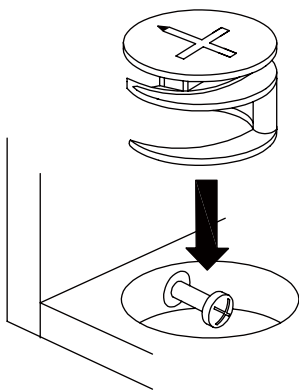
EN_IMPORTANT, RETAIN FOR FUTURE REFERENCE: READ CAREFULLY.



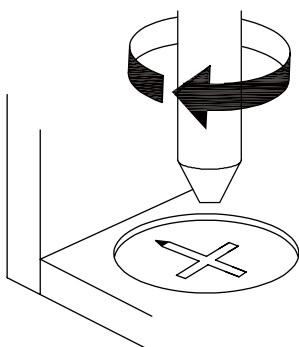
EN_QUICKFIT: Tighten quickfit until shoulder is flush with panel. Do not overtighten or undertighten.



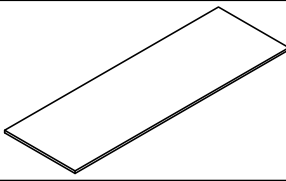
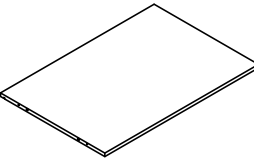
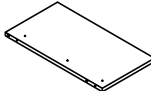
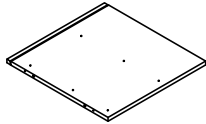
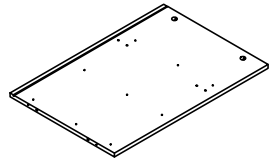
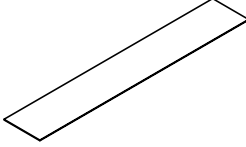
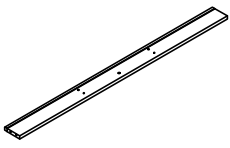
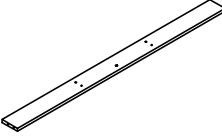
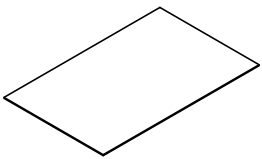
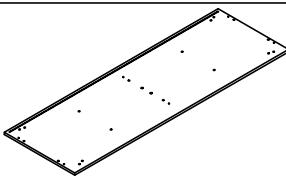
EN_CAM LOCK: When fitting cam lock, ensure starting position is correct before you insert connecting quickfit.


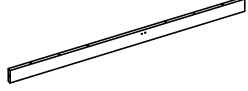
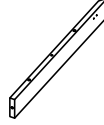
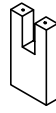
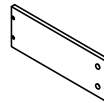
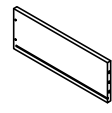
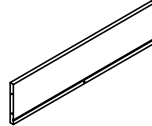
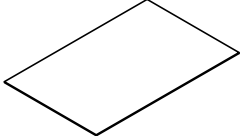

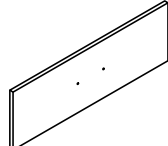


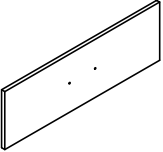
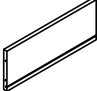
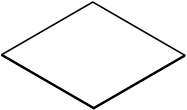
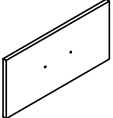
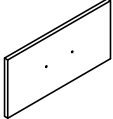
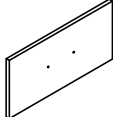

EN_Quickfit head should be in the centre of the cam lock when the two panels are joined.
Cam lock should be inserted before quickfit.



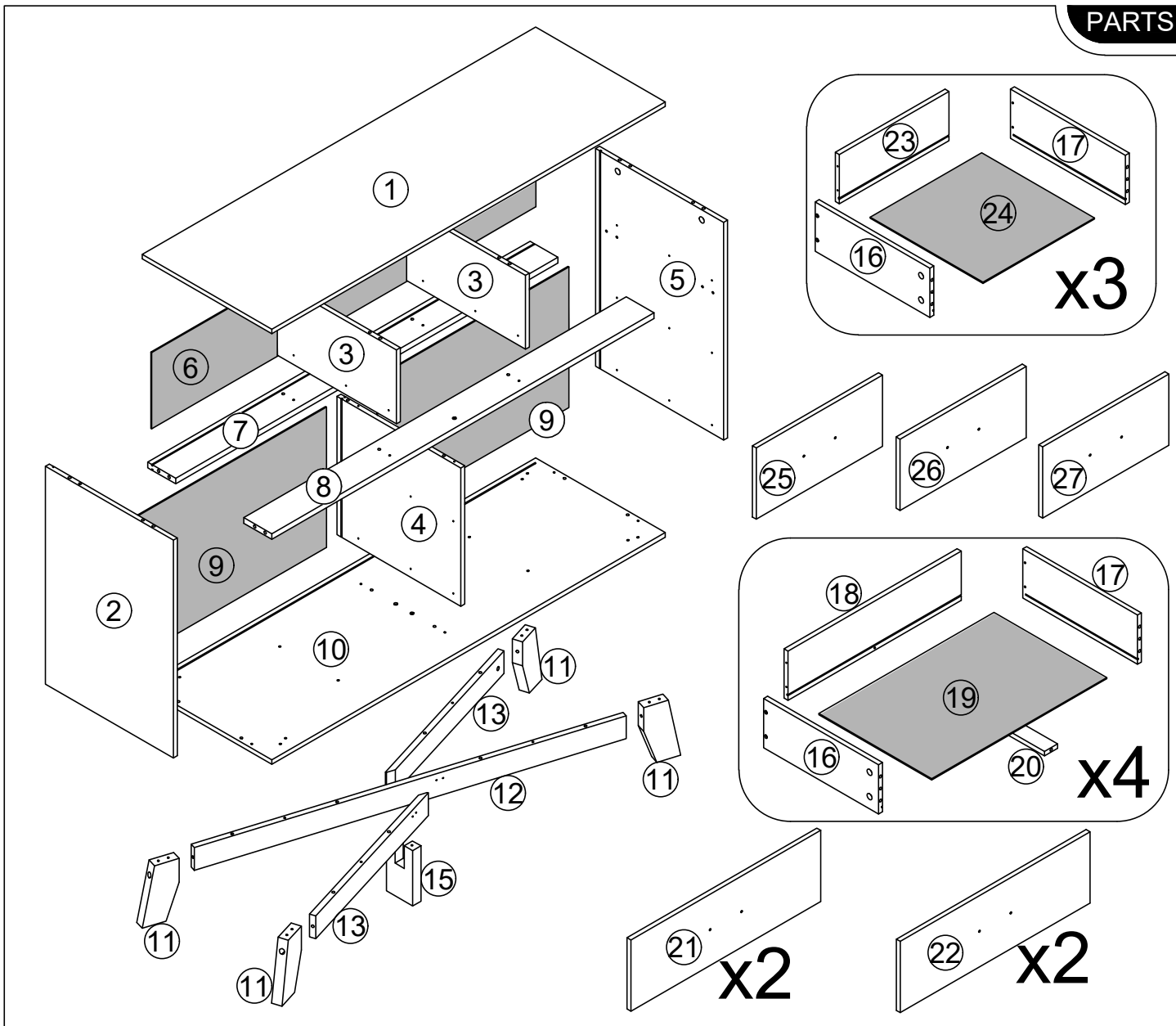
EN_Turn cam lock clockwise to tighten.

NO.	PARTS	QTY	SPARE
①		x1	
②		x1	
③		x2	
④		x1	
⑤		x1	
⑥		x1	
⑦		x1	
⑧		x1	
⑨		x2	
⑩		x1	

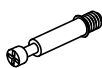






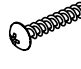








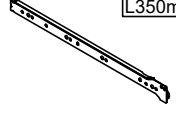
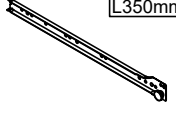
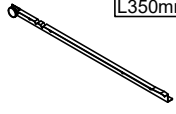
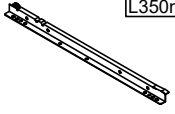
NO.	PARTS	QTY	SPARE
⑪		x4	
⑫		x1	
⑬		x2	
⑮		x1	
⑯		x7	
⑰		x7	
⑱		x4	
⑲		x4	
⑳		x4	
㉑		x2	

NO.	PARTS	QTY	SPARE
②②		x2	
②③		x3	
②④		x3	
②⑤		x1	
②⑥		x1	
②⑦		x1	
	 Hardware Kit	x1	

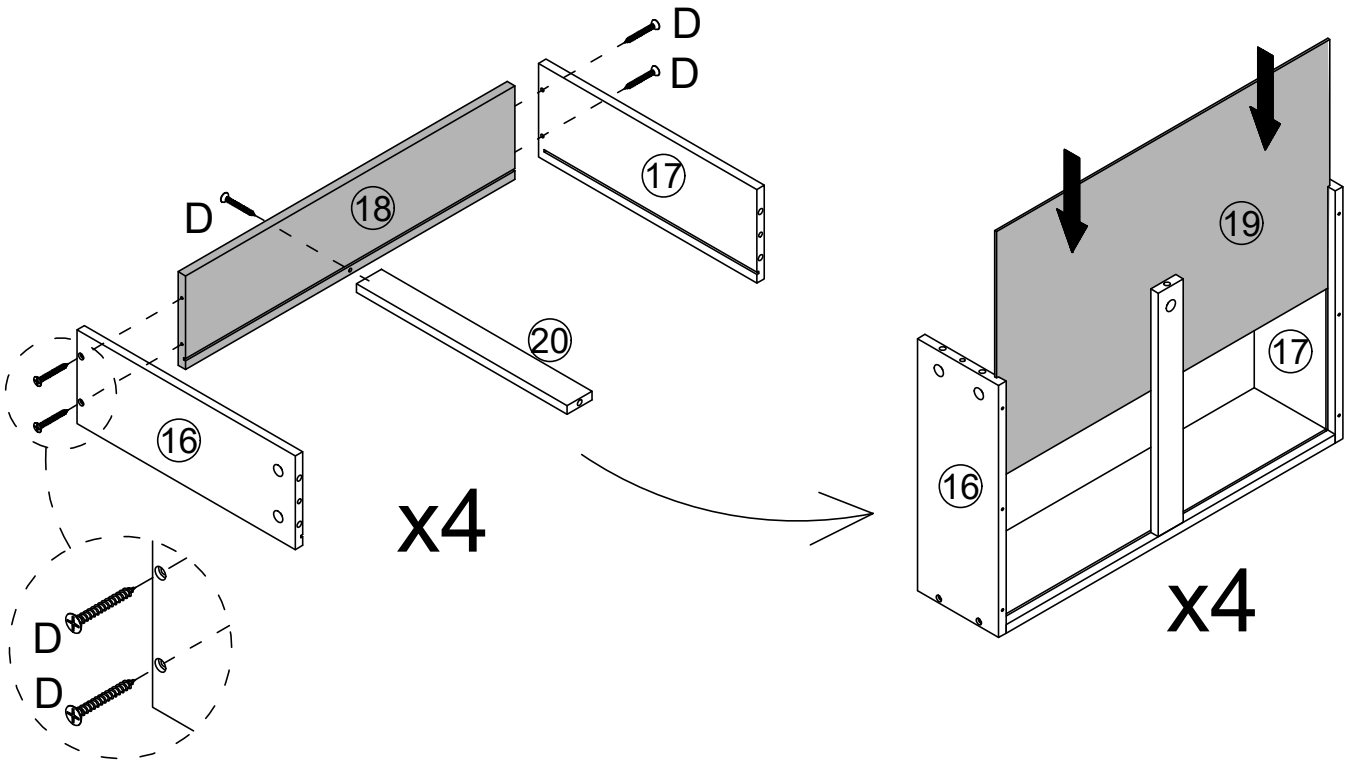
PARTS



HARDWARE

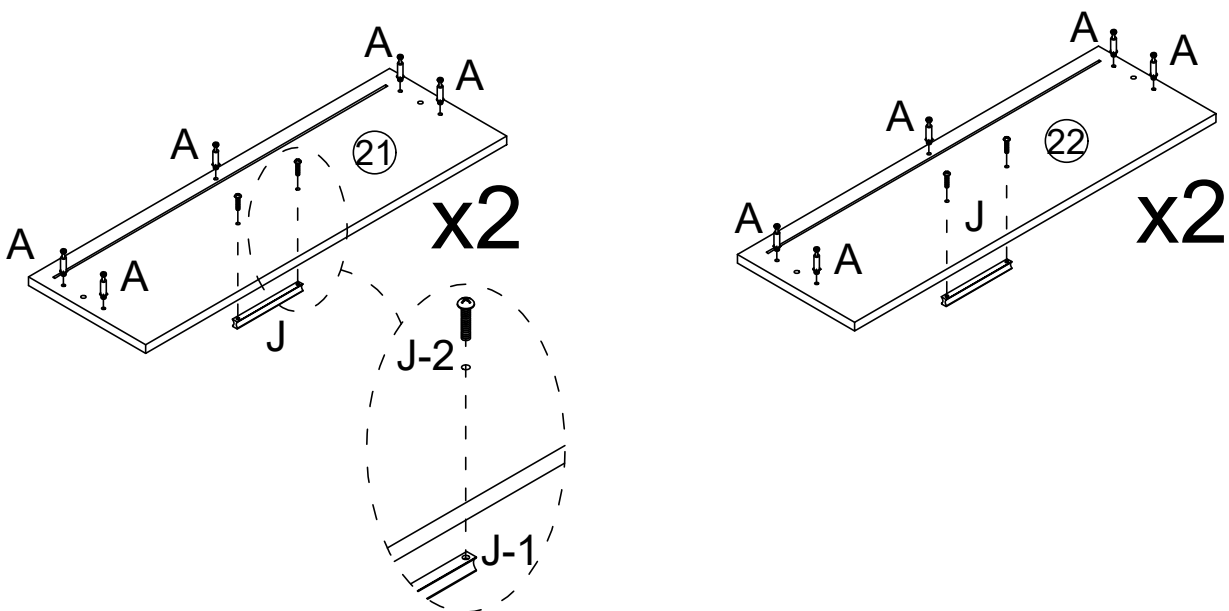
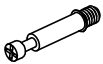
 A x48 Ø6x35mm +3(spare)	 B x48 Ø15x10mm +3(spare)	 C x42 Ø6x30mm +4(spare)	 D x46 Ø4x35mm +4(spare)	 E x84 Ø3.5x12mm +8(spare)	 F x4
 G x16 Ø3.5x12mm +1(spare)	 H x14 Ø5x35mm +1(spare)	 I x1	 J x7 J-1 J-2	 K x2 Ø4x14mm K-1 K-2	 L x14 Ø3x16mm +2(spare) L-1 L-2
 M x2 Ø6x30mm	 N x4 +1(spare)	 O x4 Ø10x10mm	 P x4 Ø6x80mm		
 CL x7 L350mm	 CR x7 L350mm	 DL x7 L350mm	 DR x7 L350mm		

D x20



A x20

J x4



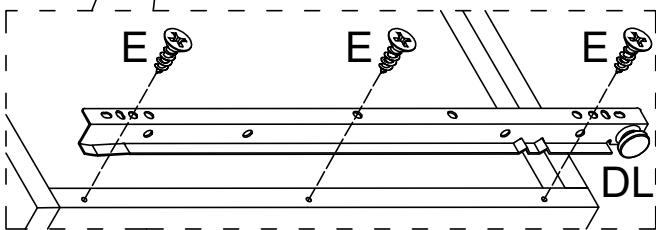
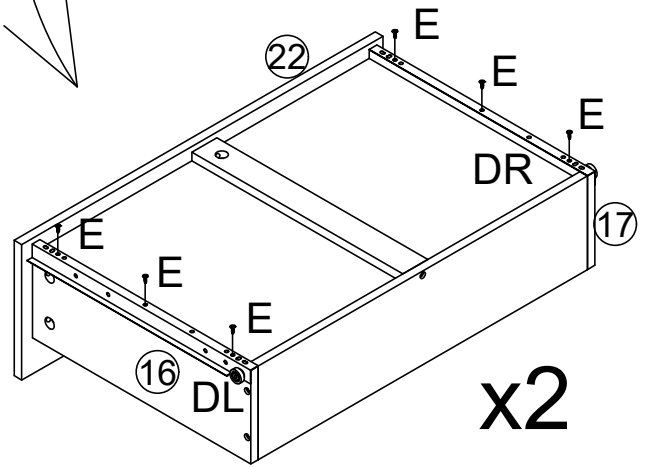
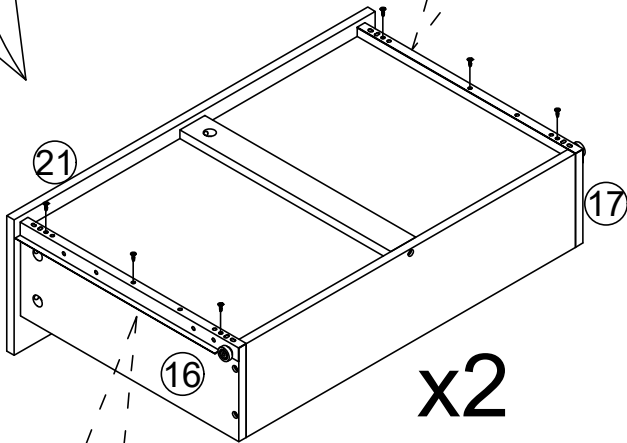
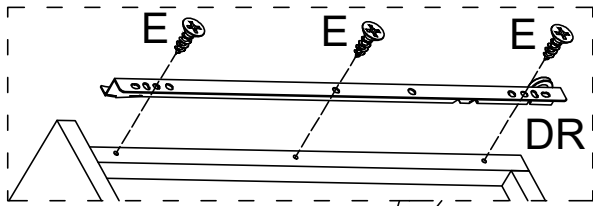
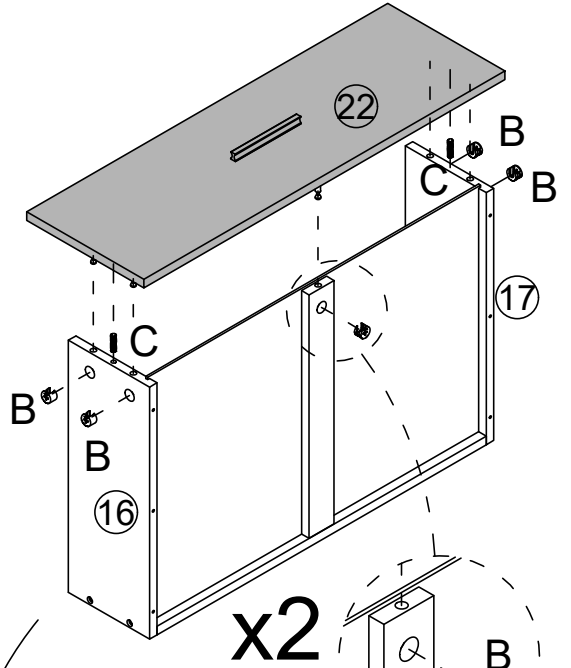
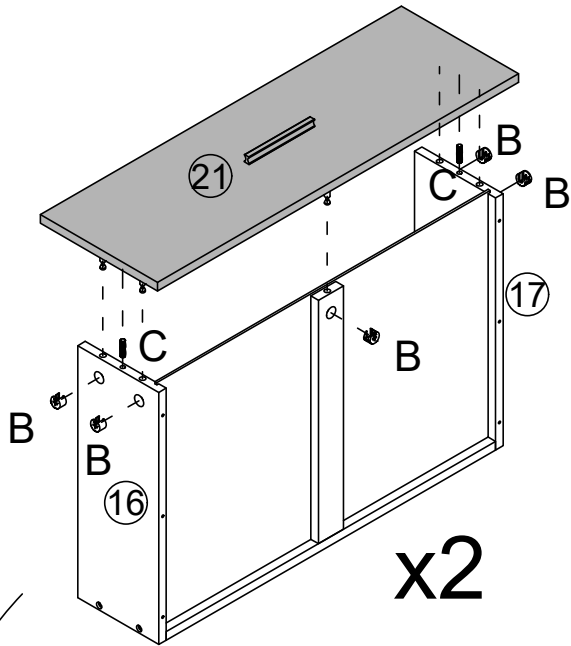
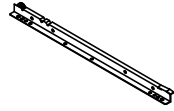
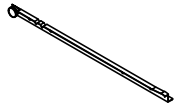
B x20

C x8

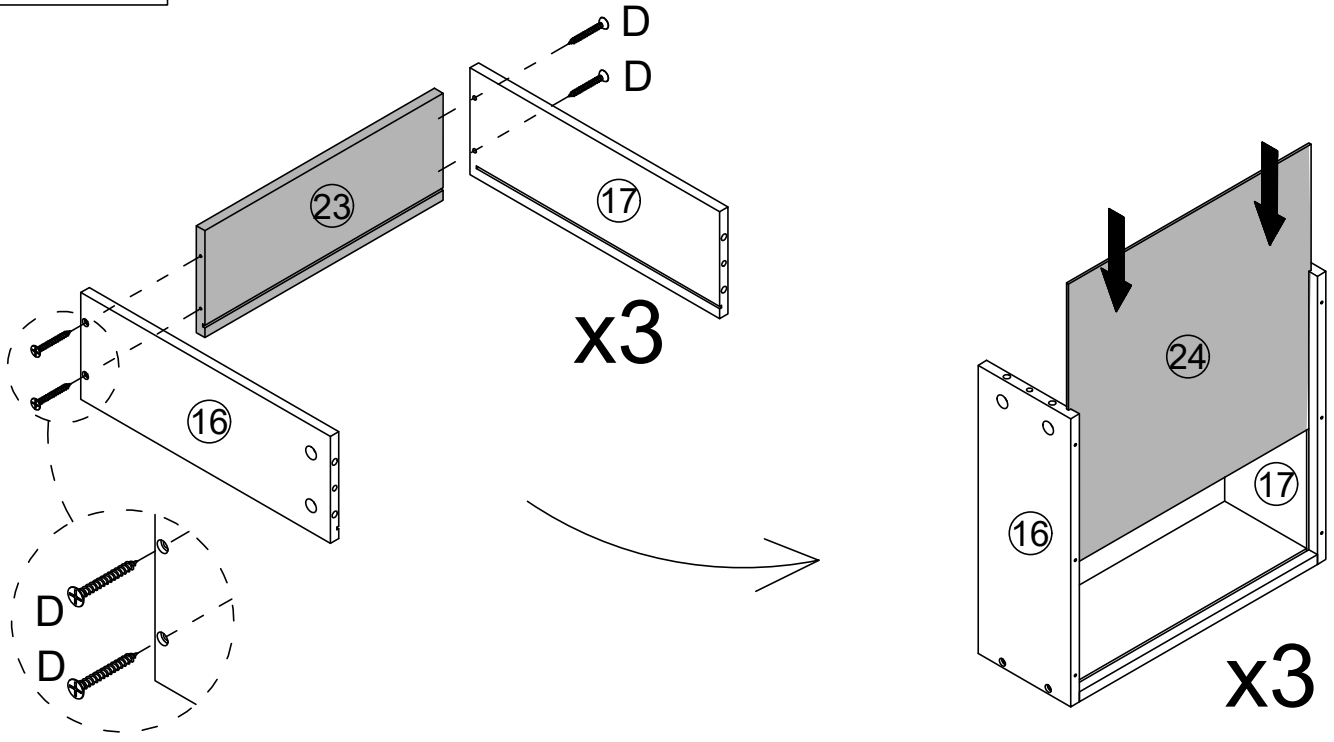
E x24

DL x4

DR x4



D x12

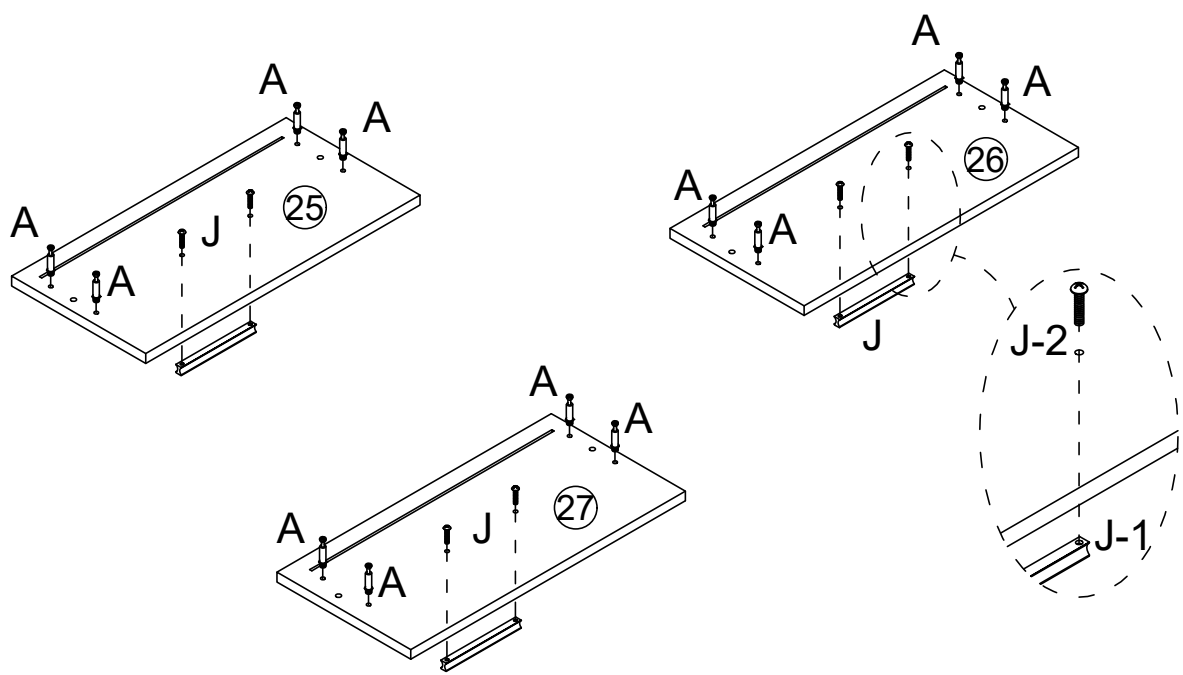
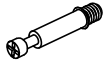


x3

x3

A x12

J x3



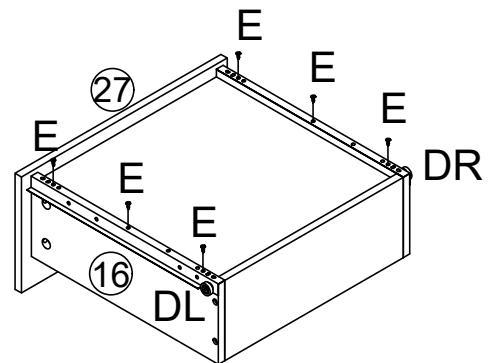
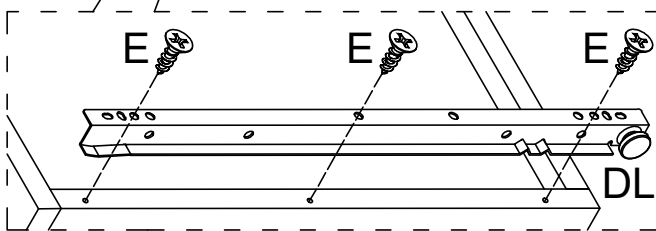
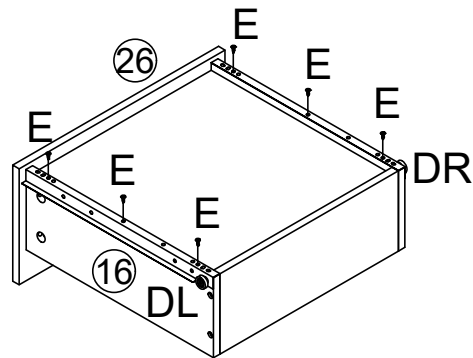
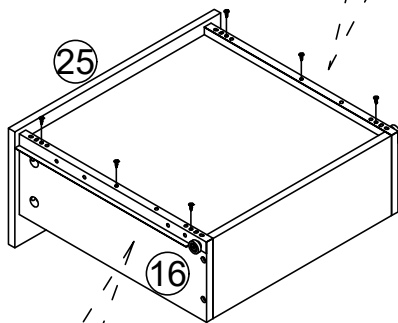
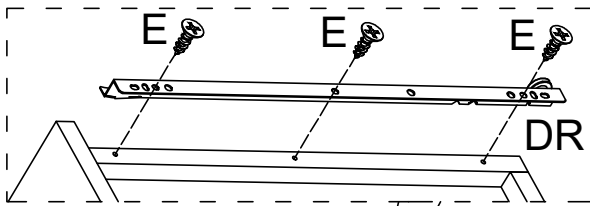
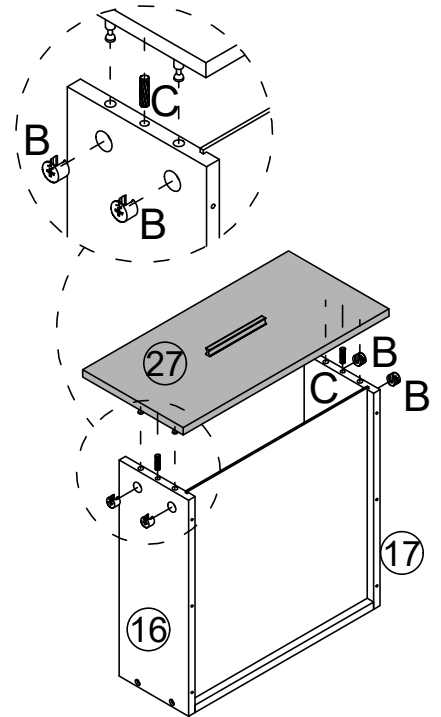
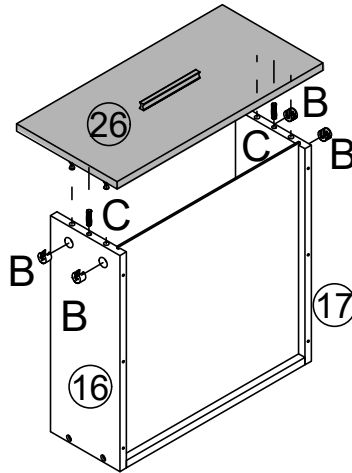
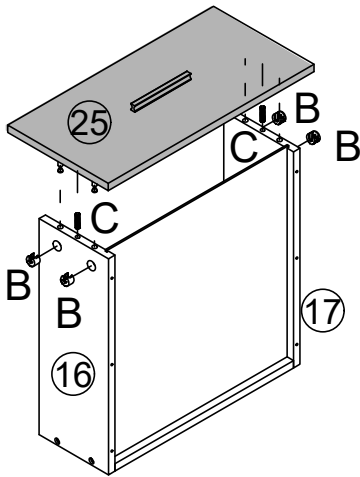
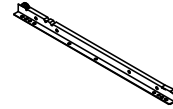
B x12

C x6

E x18

DL x3

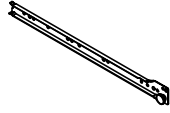
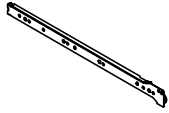
DR x3



E x24

CL x4

CR x4



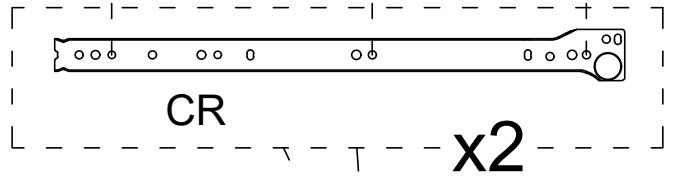
E



E



E



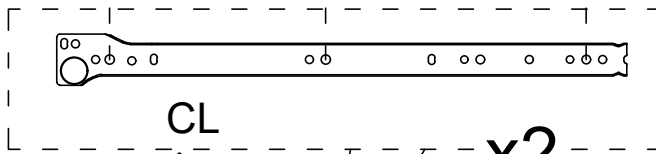
E



E



E

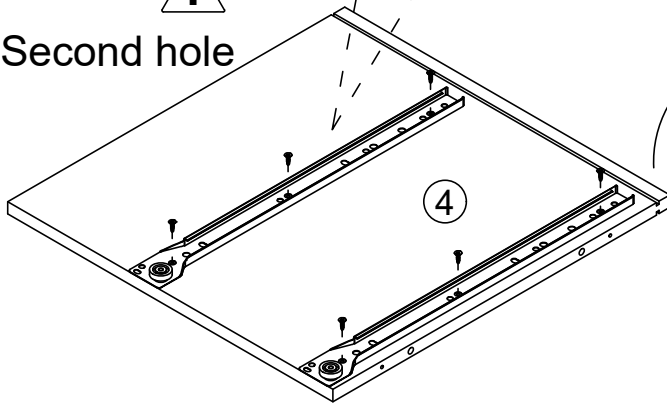


CL

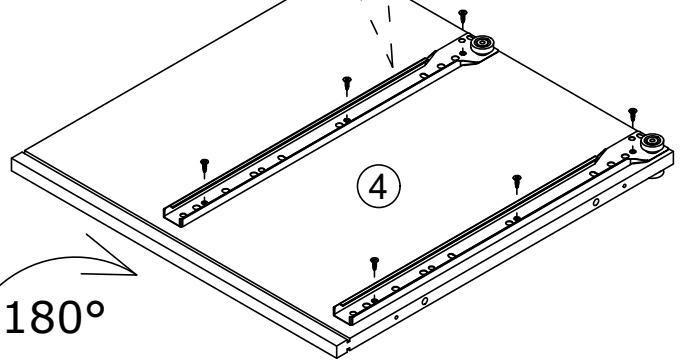
x2



Second hole



180°



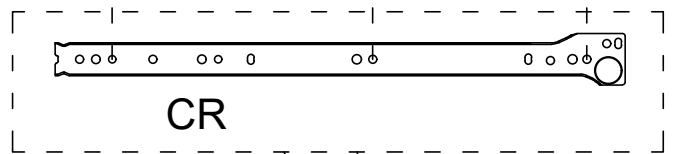
E



E



E



CR



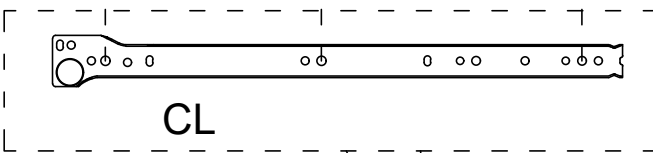
E



E



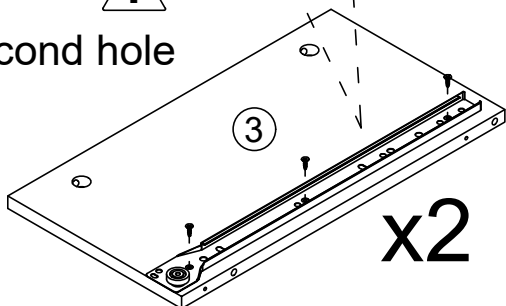
E



CL

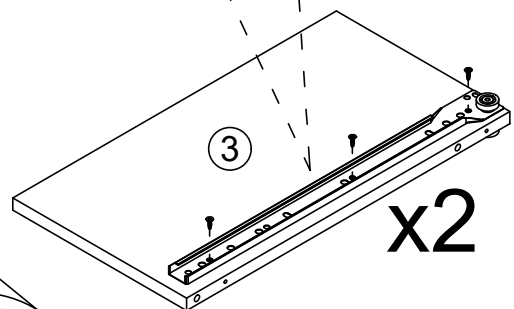


Second hole



x2

180°



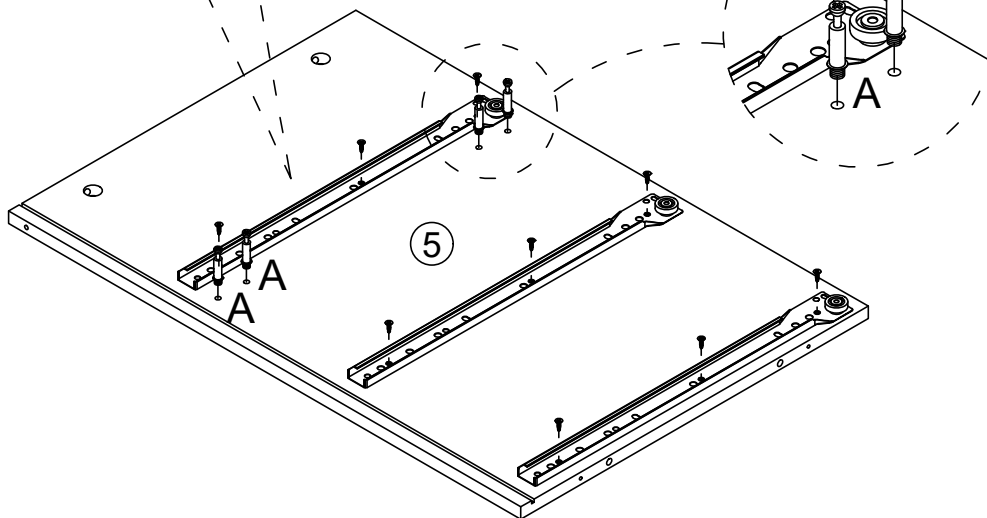
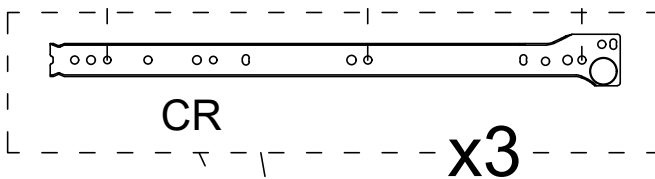
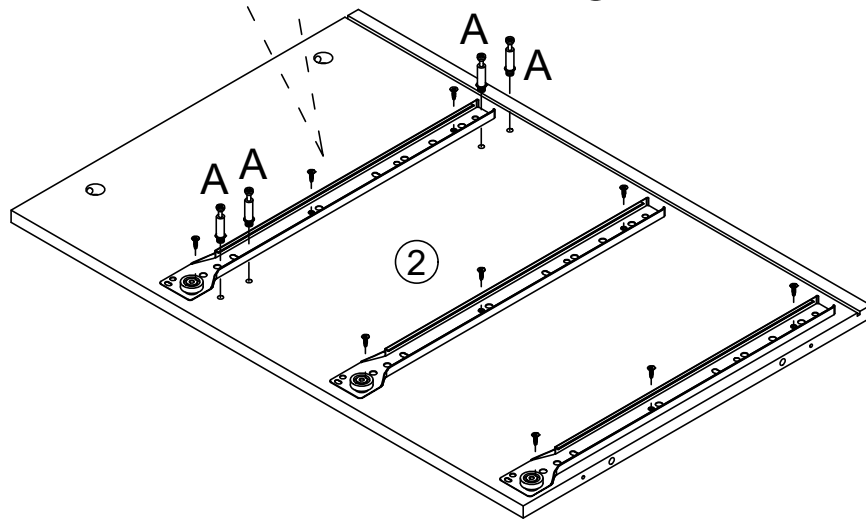
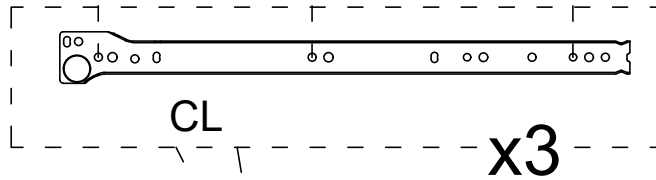
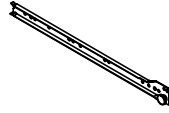
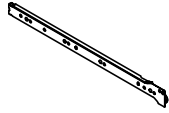
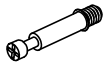
x2

A x8

E x18

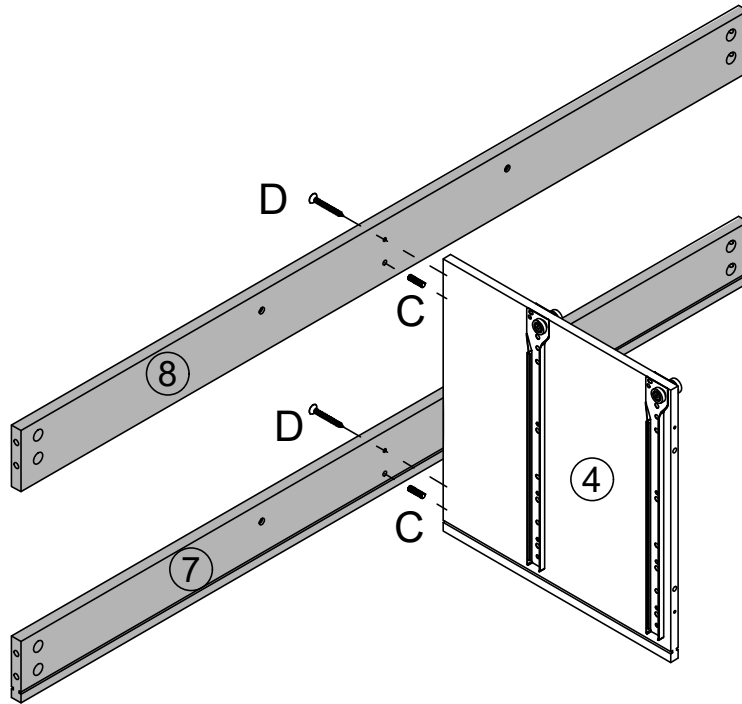
CL x3

CR x3



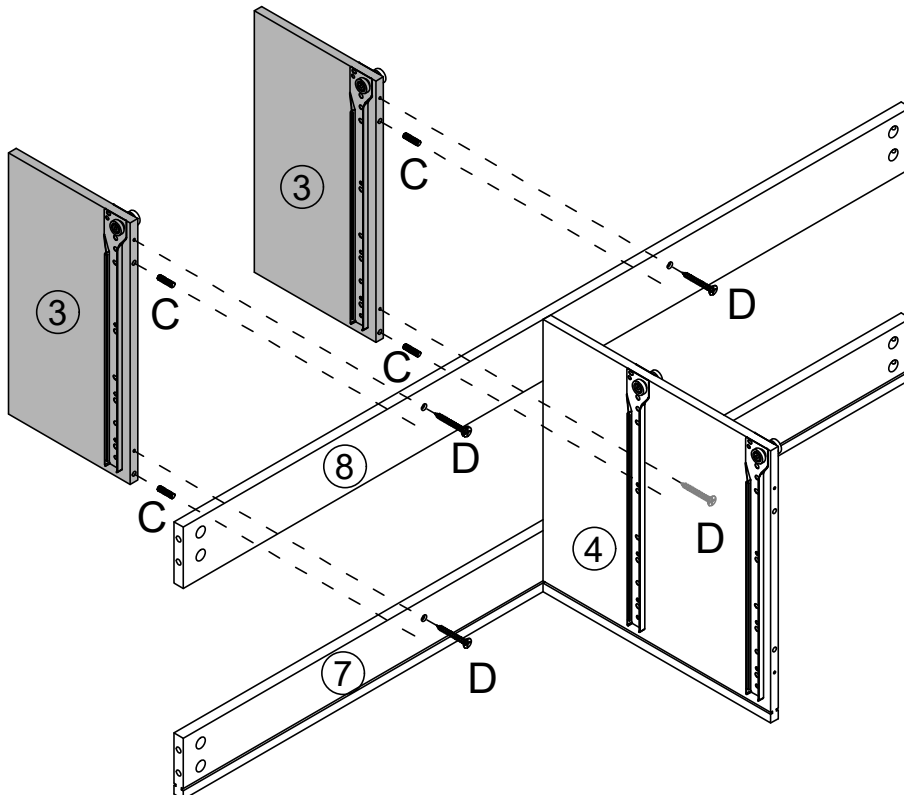
C x2

D x2



C x4

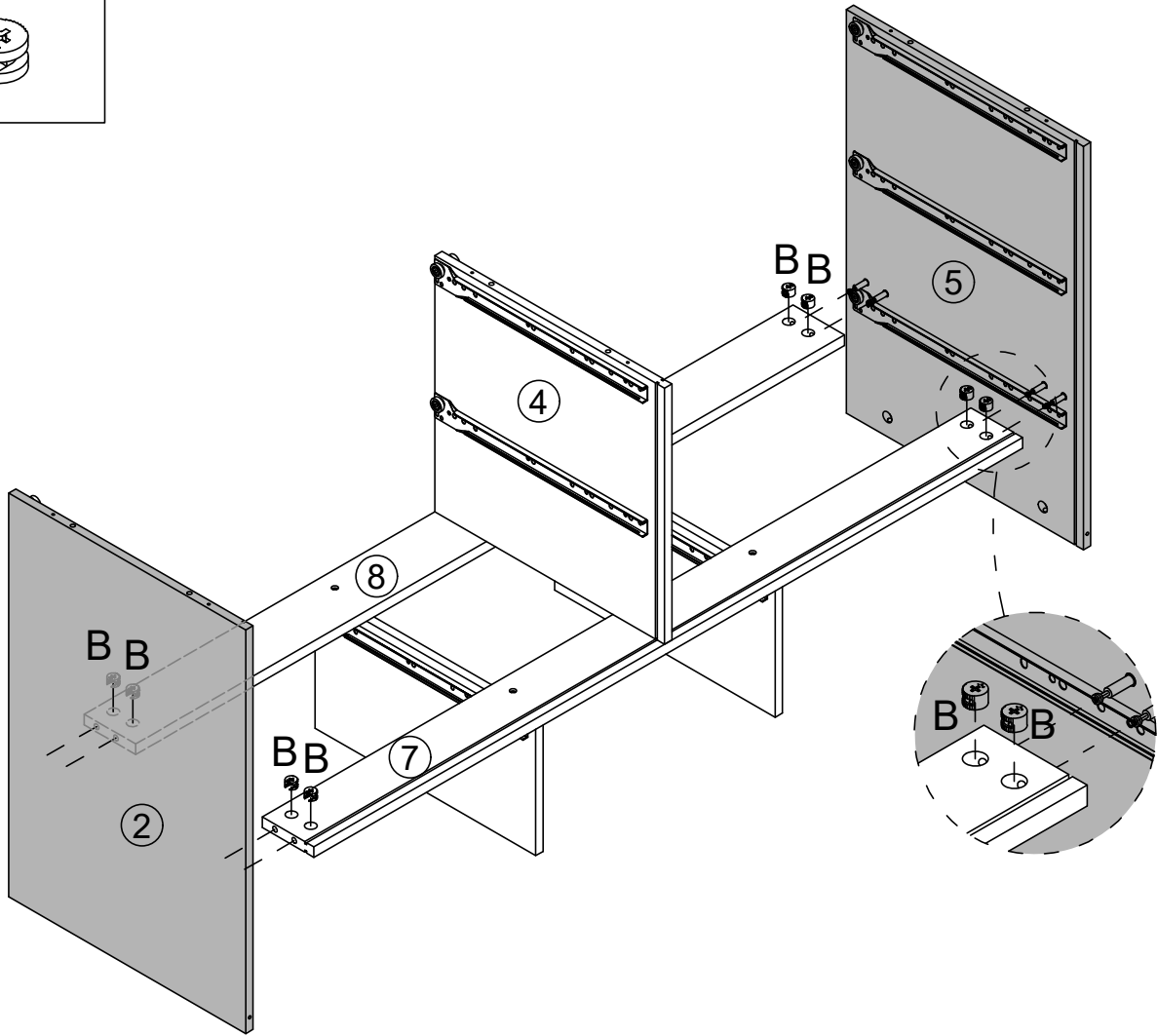
D x4



B x8



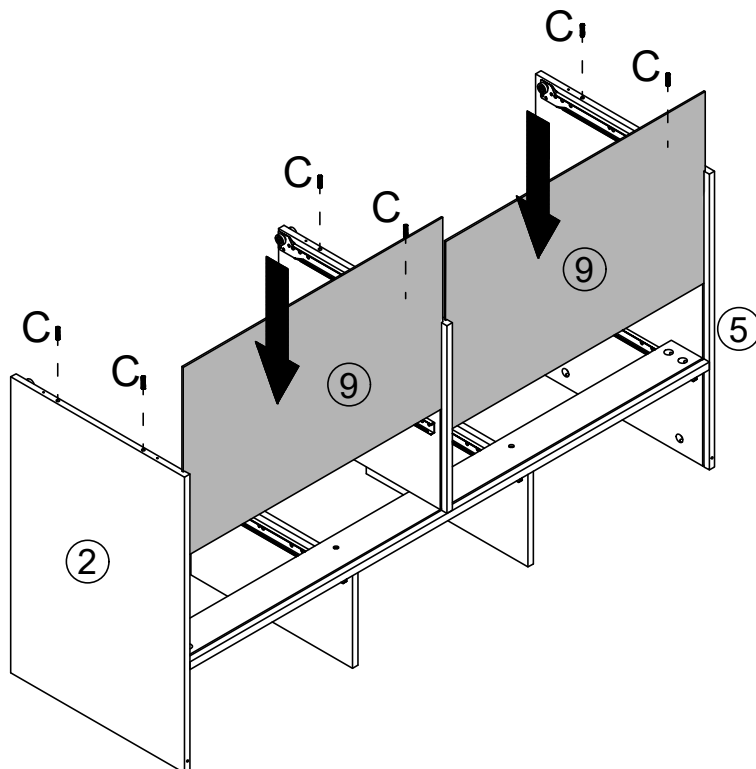
11



C x6



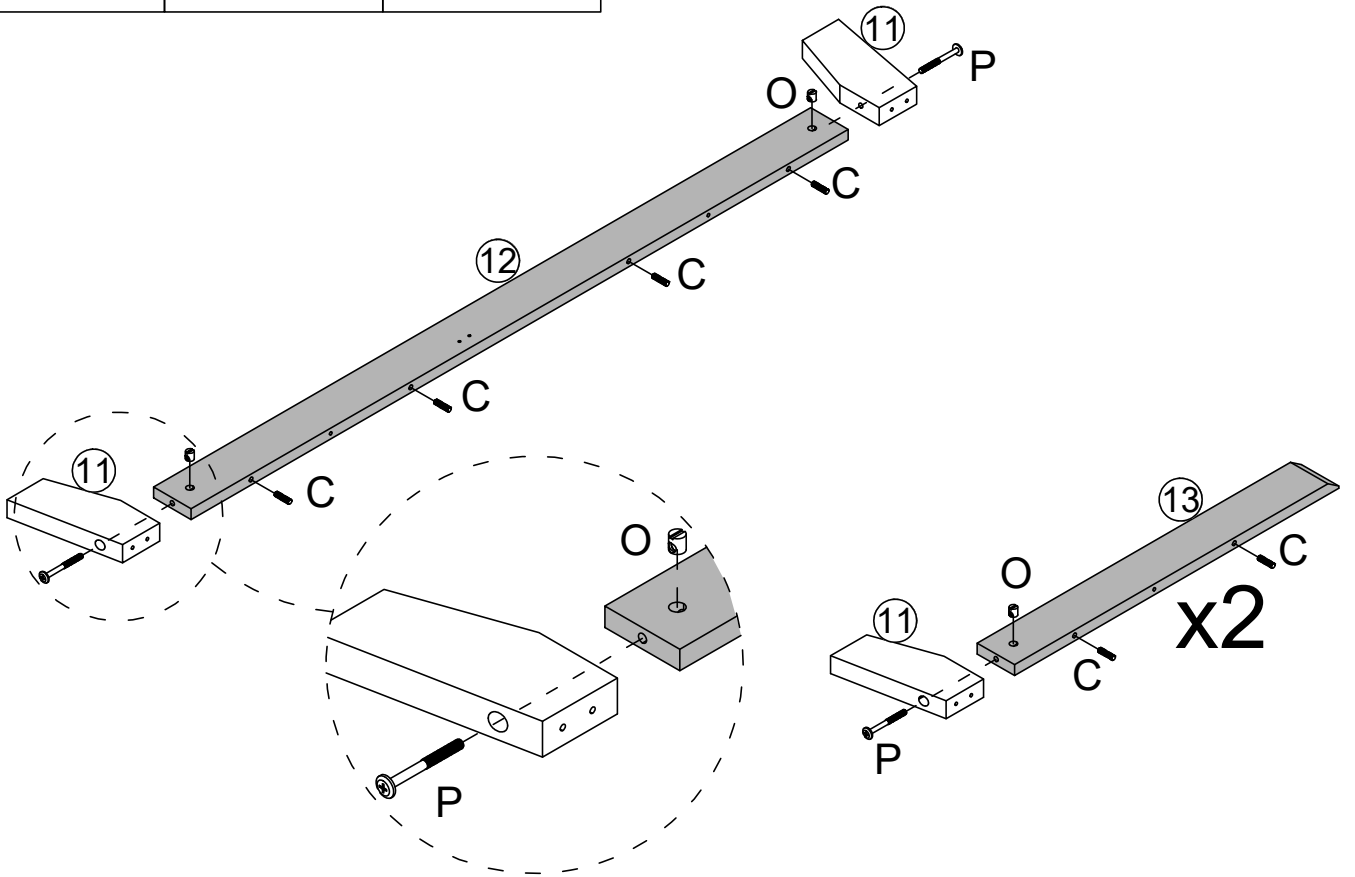
12



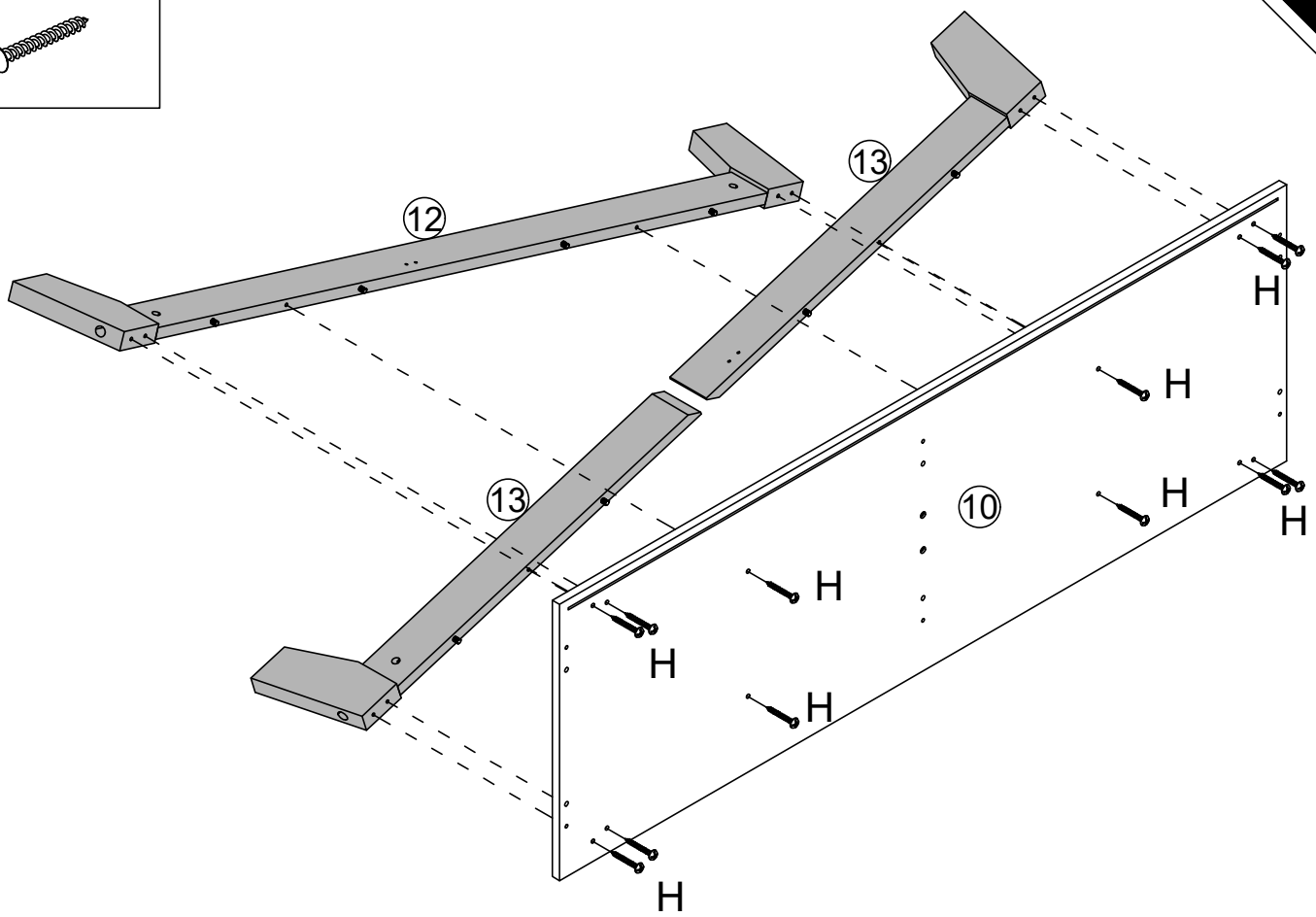
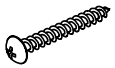
C x8

O x4

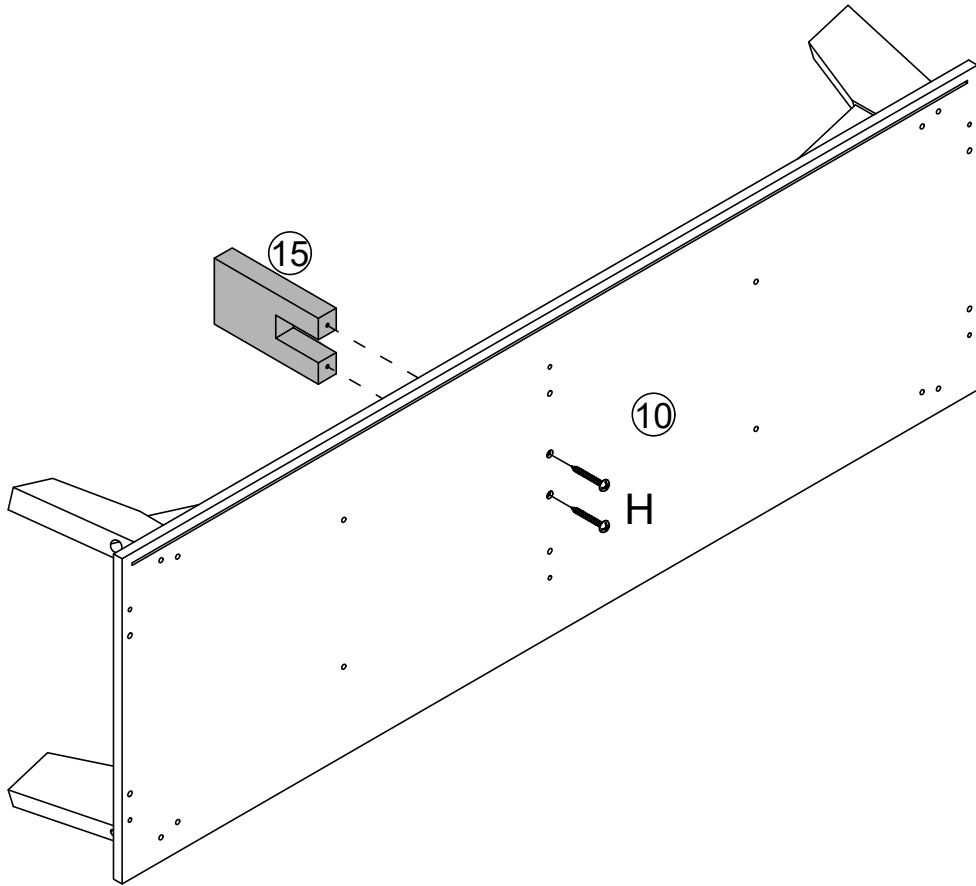
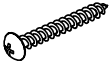
P x4



H x12



H x2



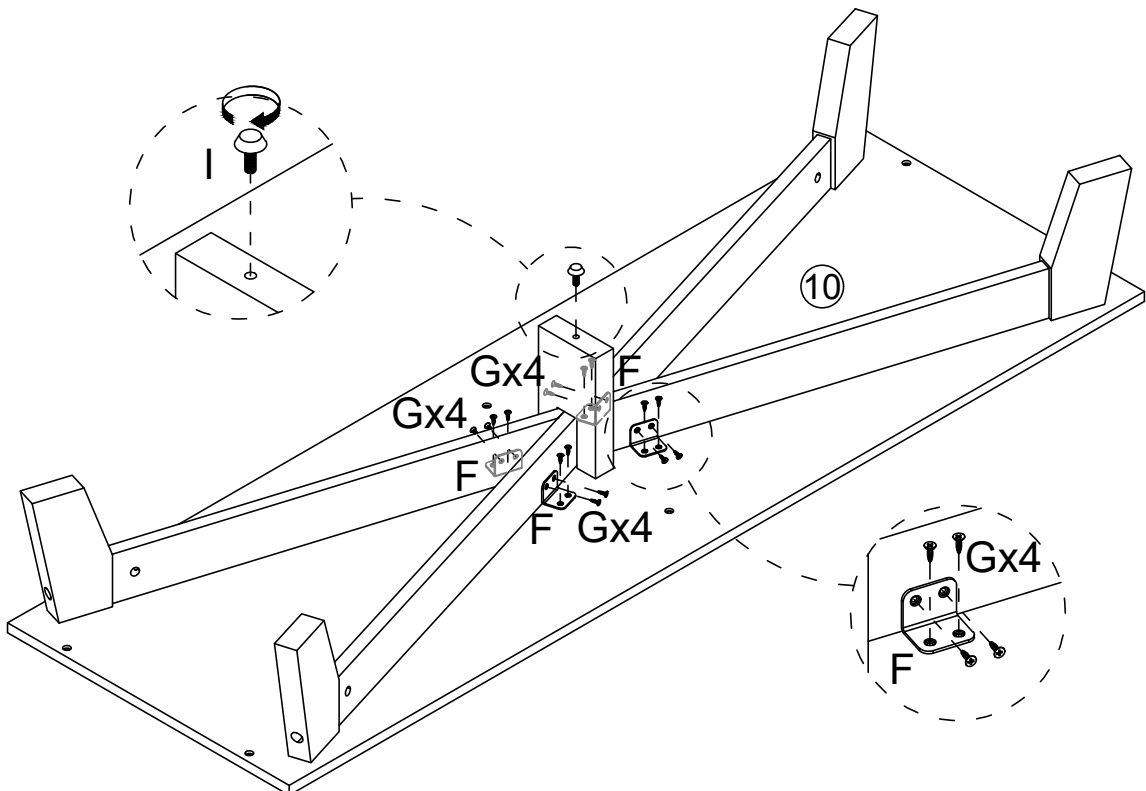
F x4

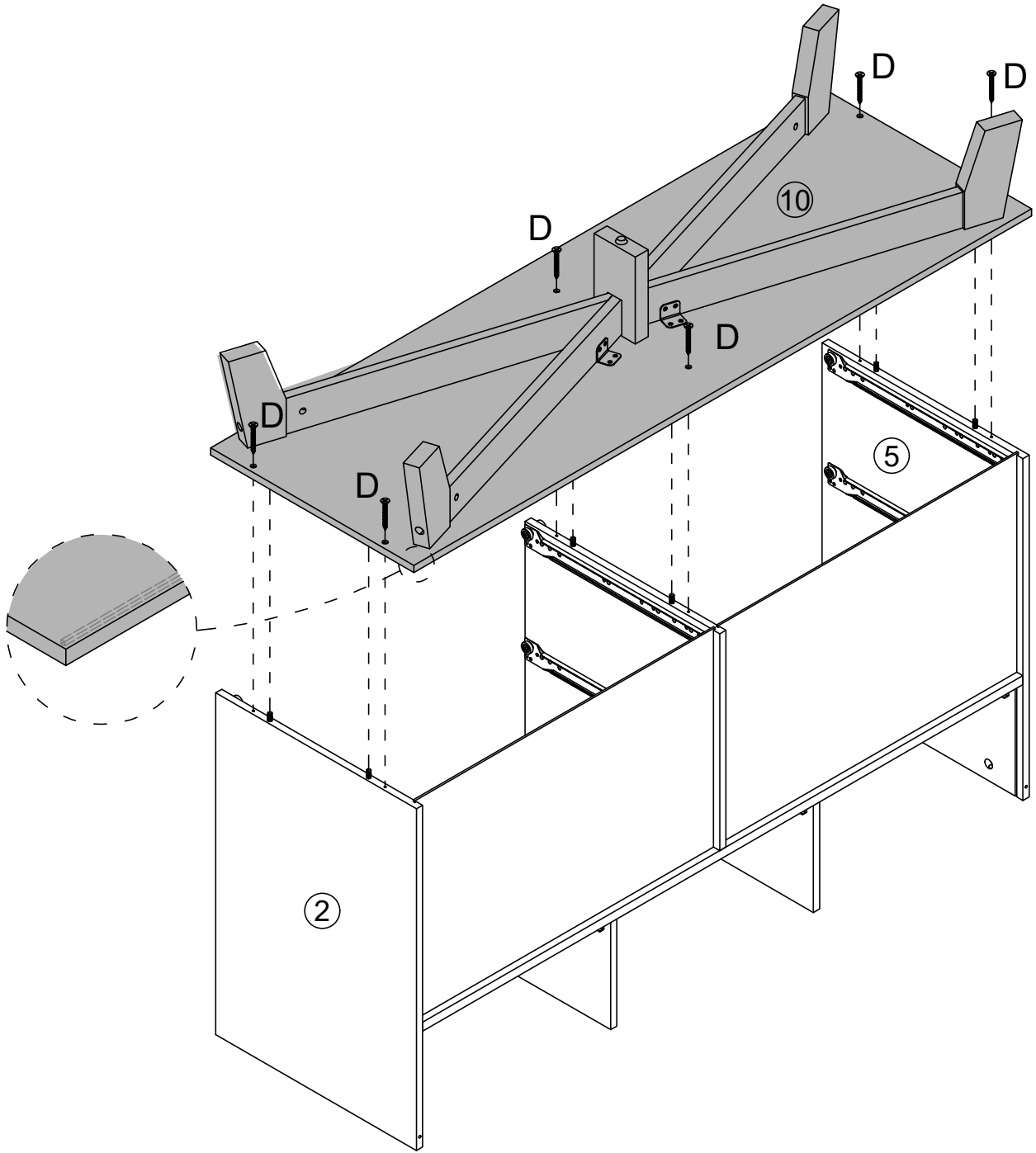


G x16

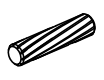


I x1

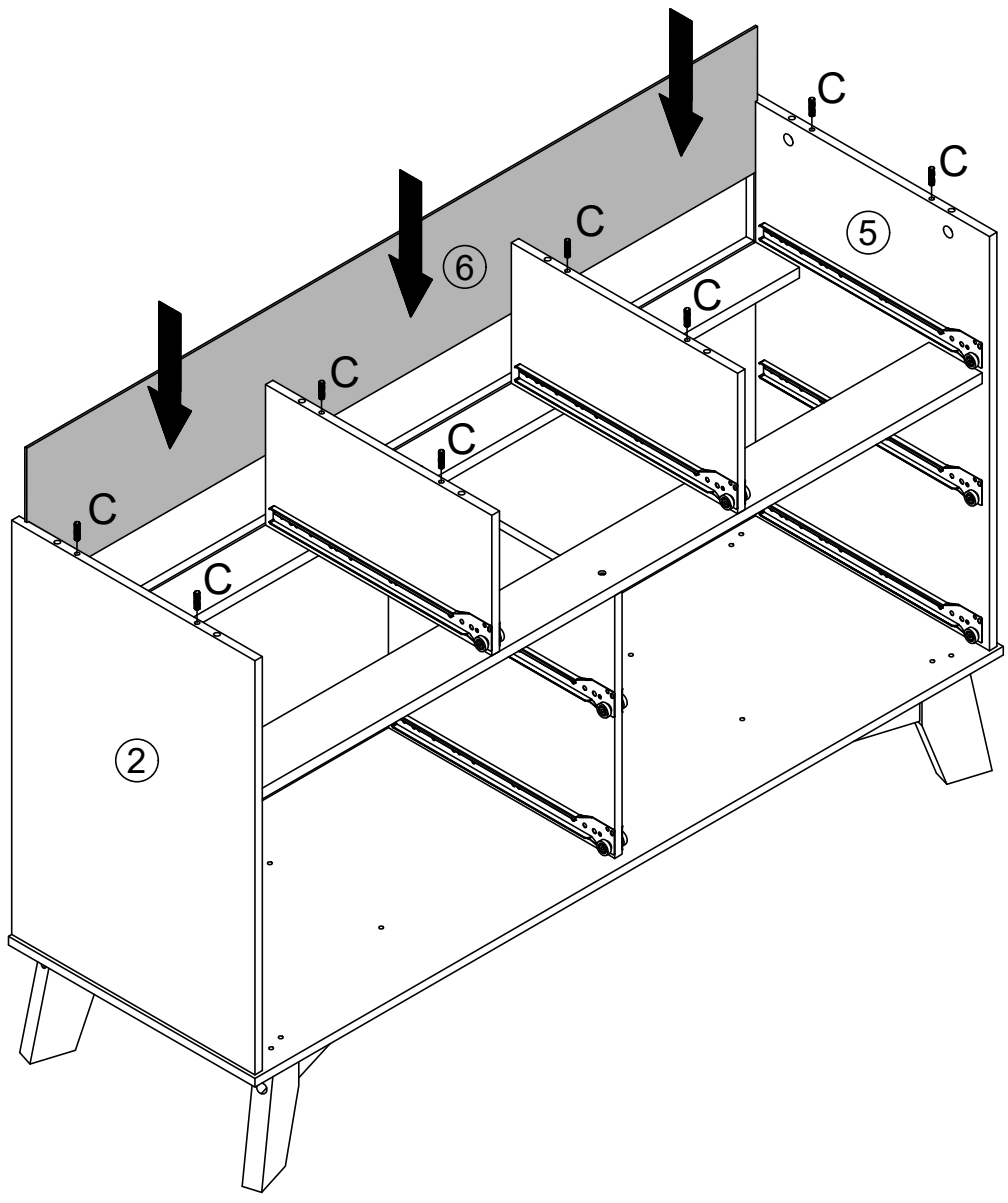




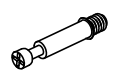
C x8



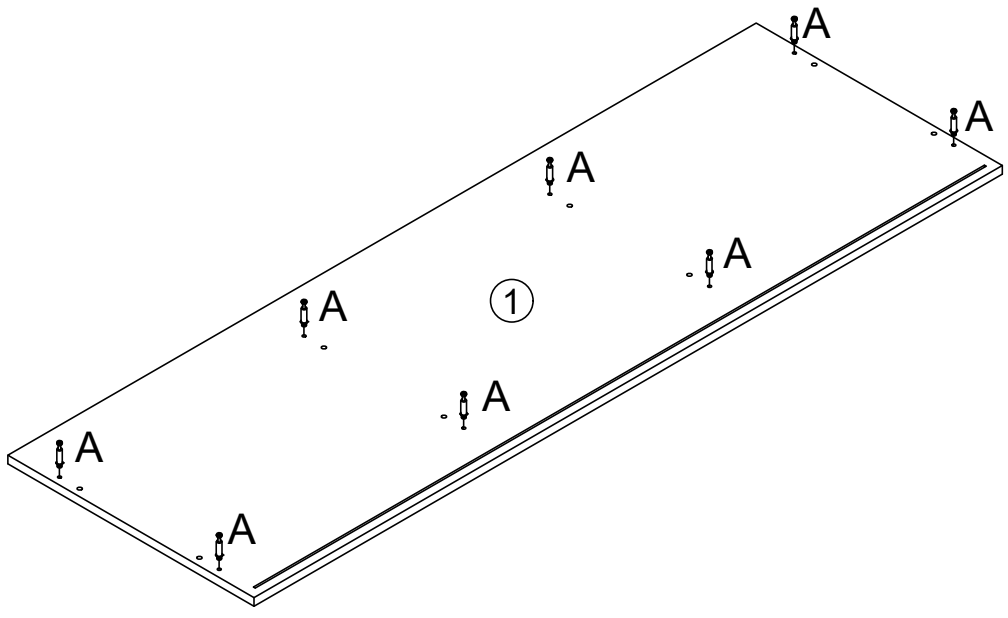
13

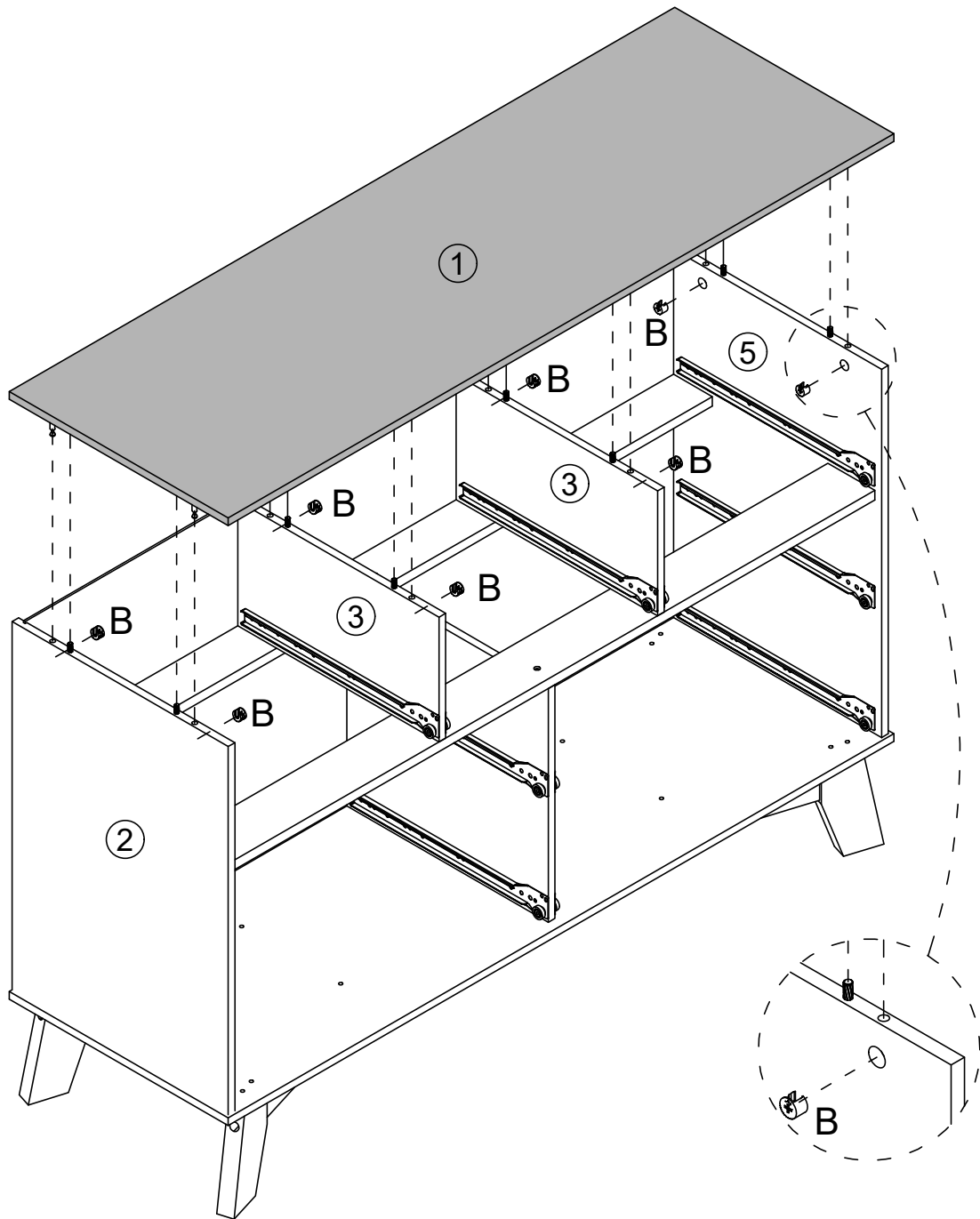


A x8



13





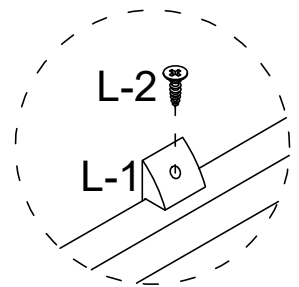
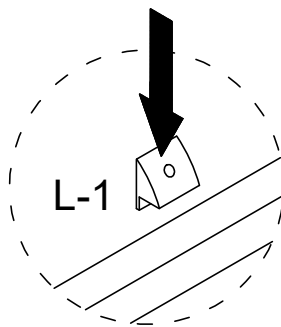
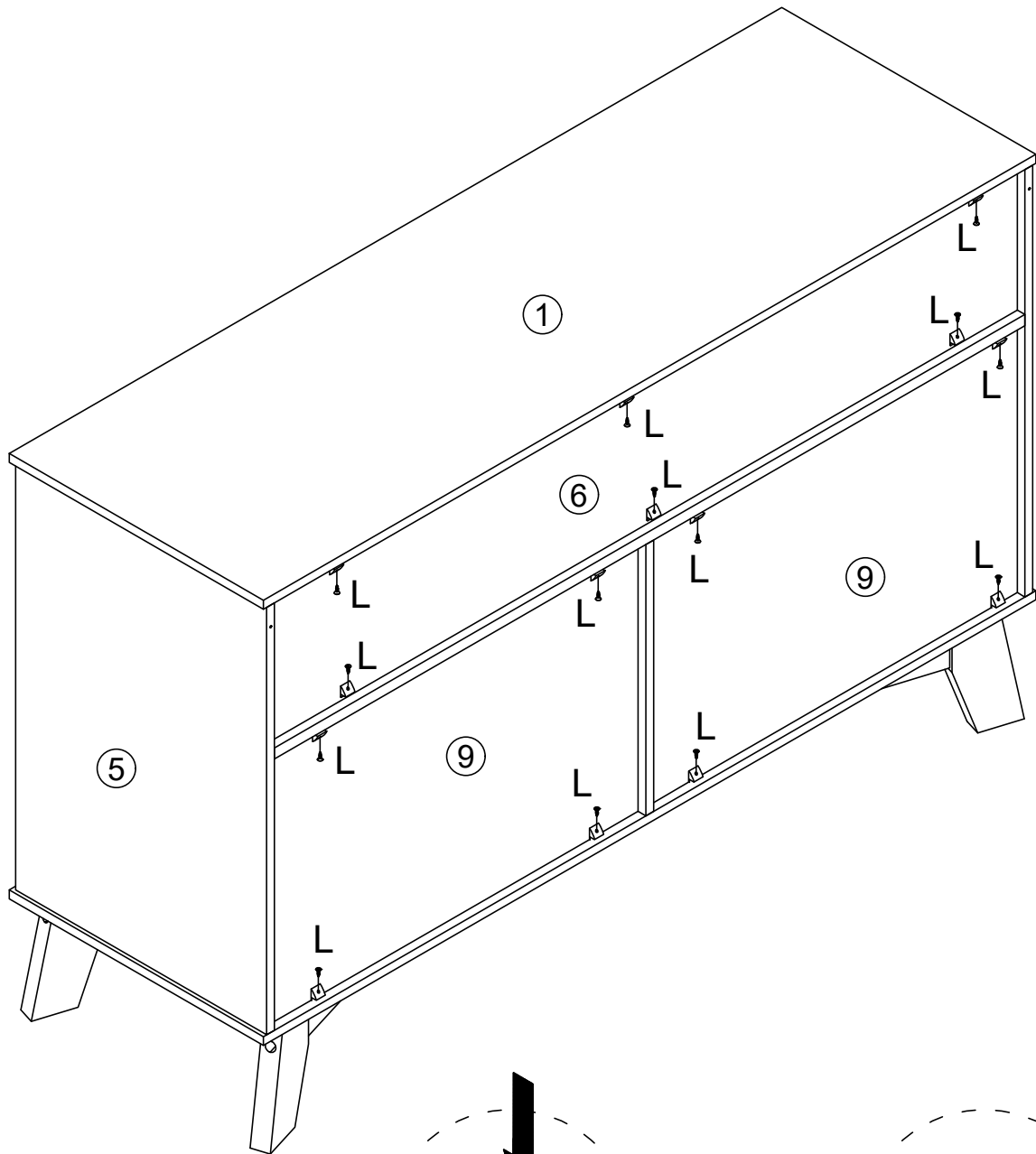
L x14

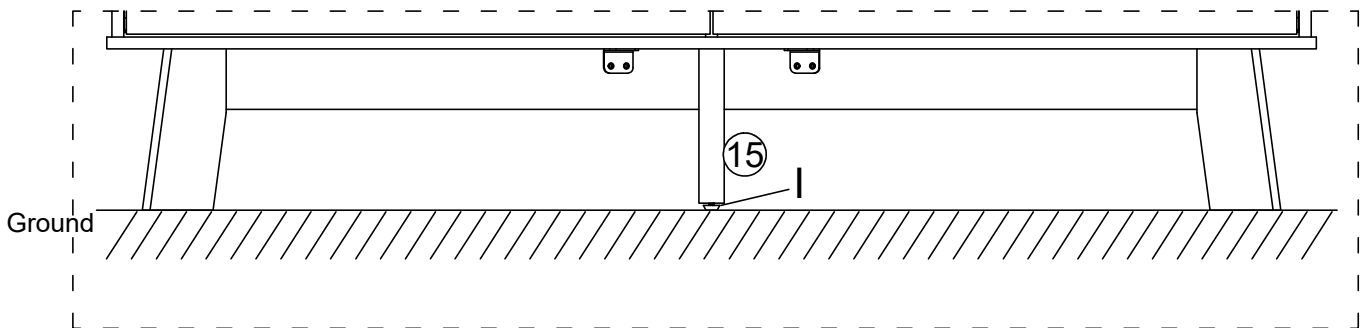
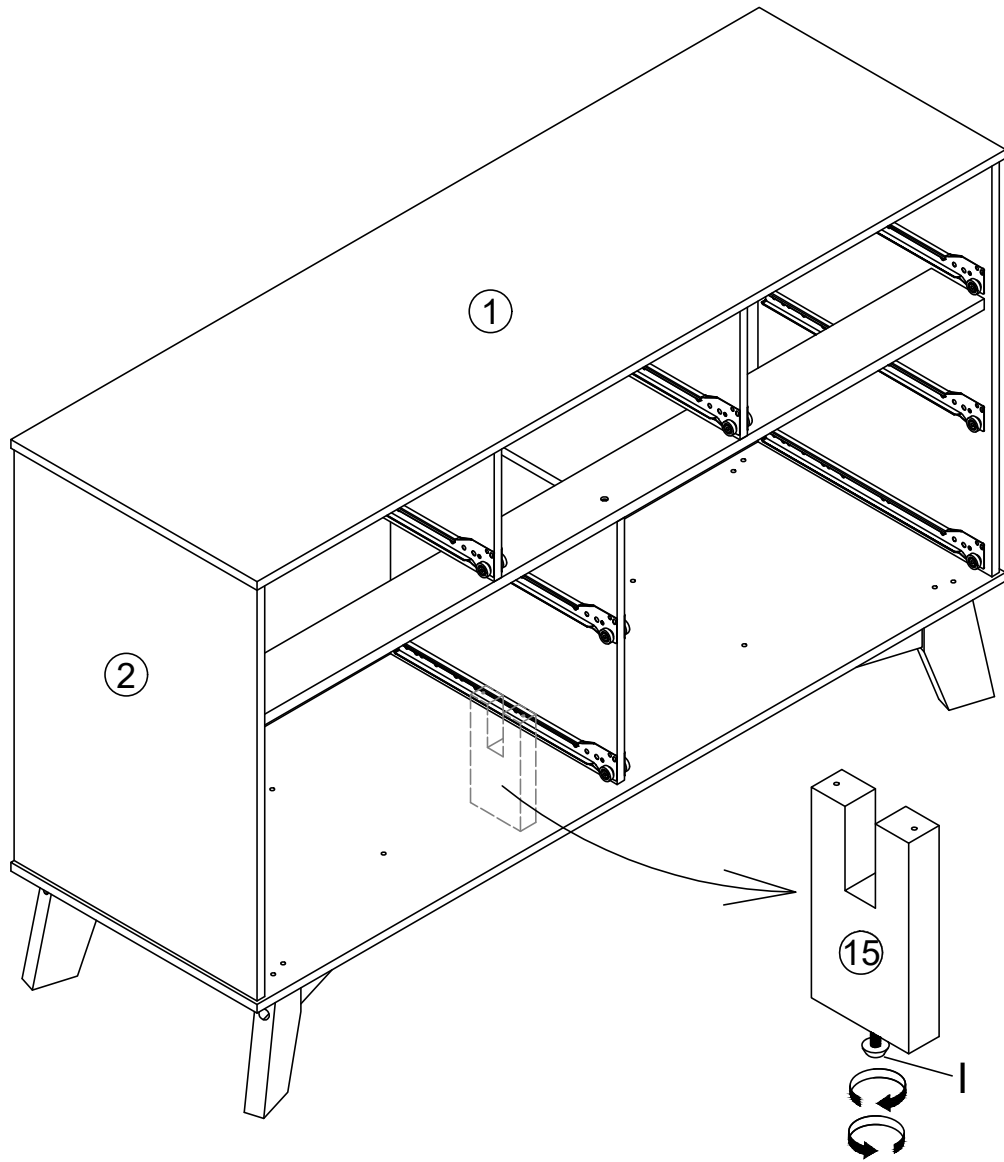


L-1

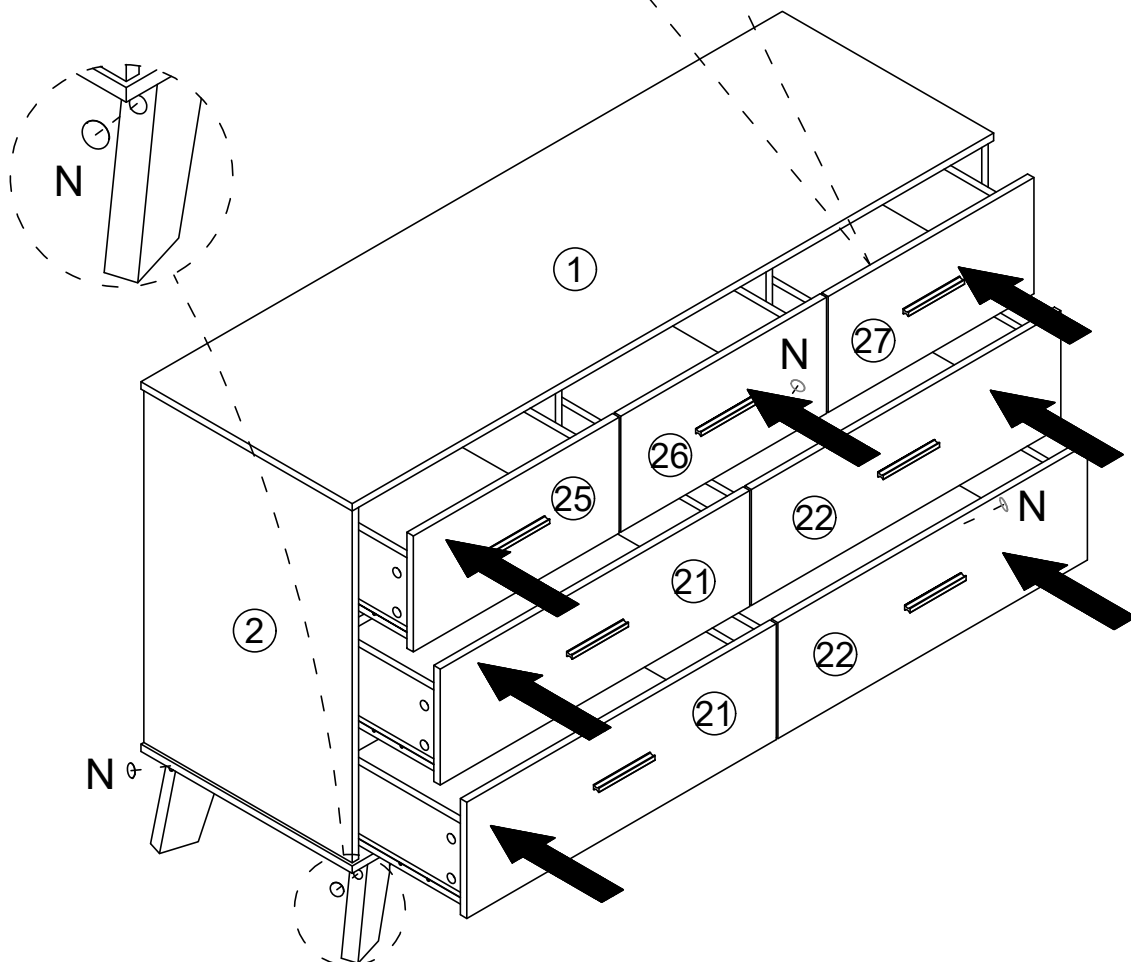
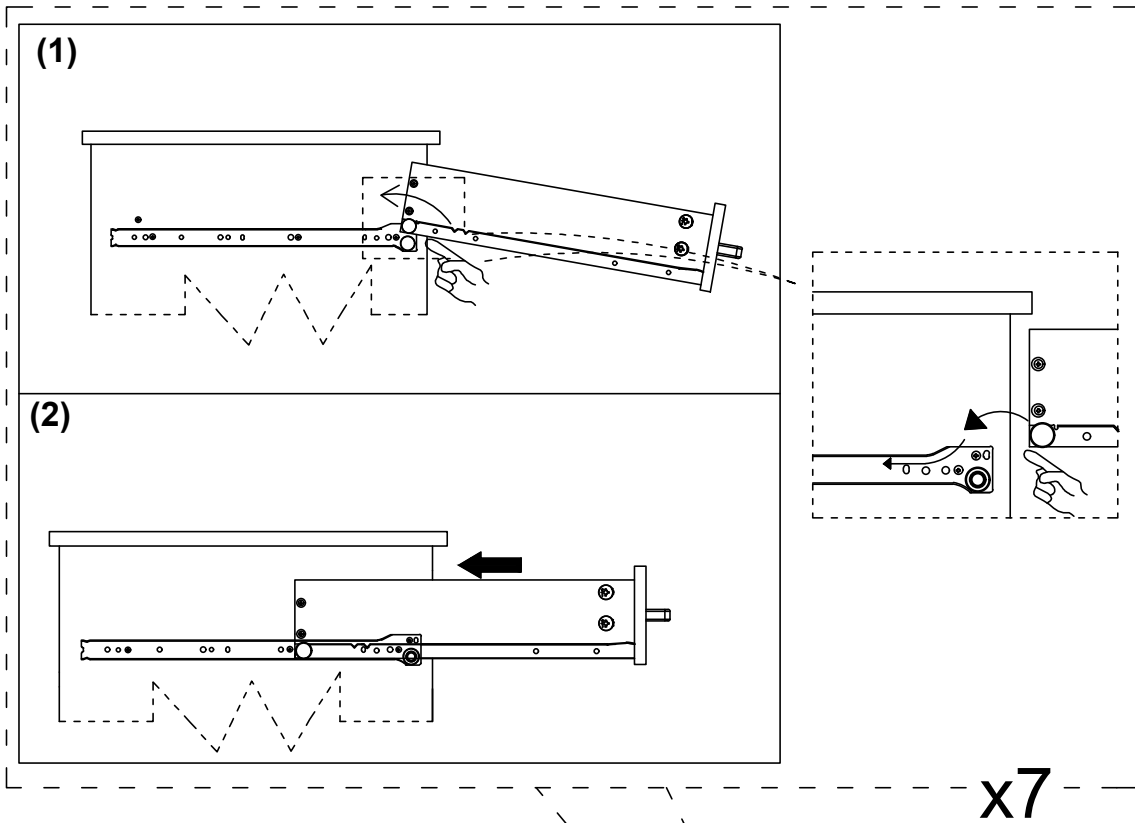


L-2





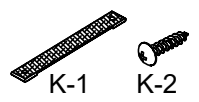
If the cabinet is unstable with the ground, please rotation control the foot fitting (I)



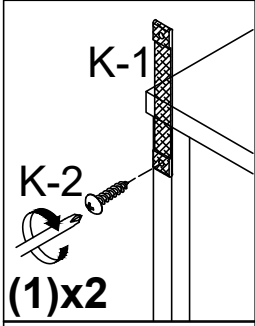
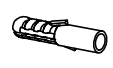
D x2



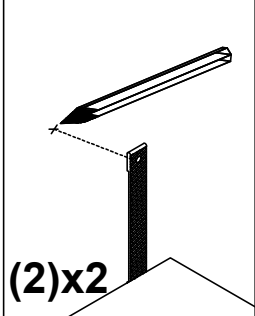
K x2



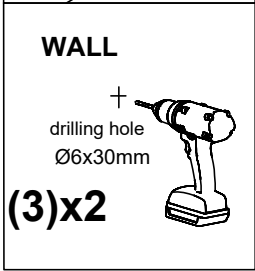
M x2



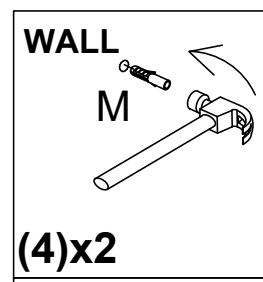
First fix the anti-rewind screw in the reserved hole of the product.



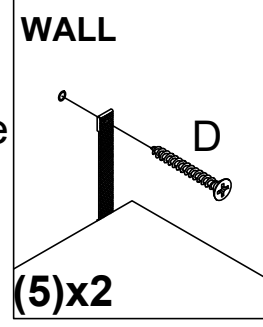
then, use a ruler to measure the approximate height of the product on the wall, and then mark it with a pen.



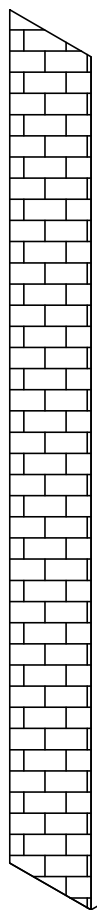
Then use a tape drill to make holes in the wall that are suitable for the product screws.



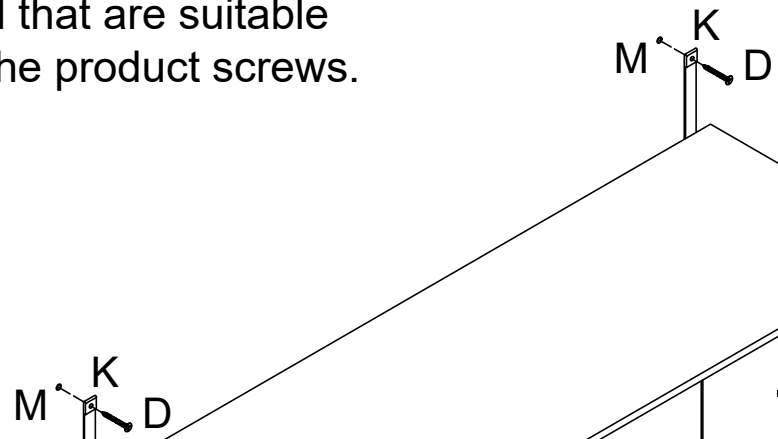
Then, put the expansion bolt into the hole

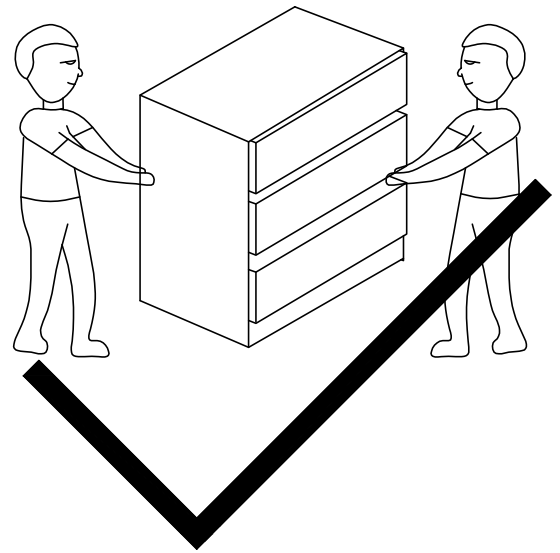


Finally, pass the matching screws through the "anti-rewind" and tighten them to fix them on the wall.



WALL





WARNING

Do not push the furniture violently during the moving process, otherwise there will be a risk of tipping and damage, which is unsafe behavior. Moving furniture after assembly requires two or more people to lift it.