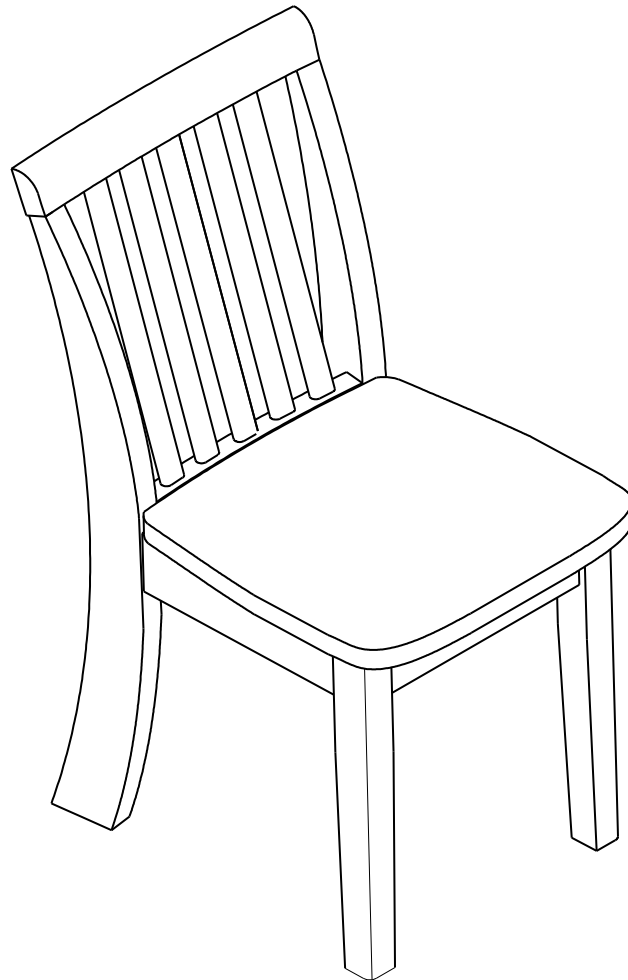


# ASSEMBLY INSTRUCTIONS

---



---

Description

: JUVENILE CHAIR

## BEFORE ASSEMBLY

Thank you for purchasing this quality product. This product has been designed for easy assembly and constructed for durability. All parts were checked prior to packaging to insure quality. Prior to beginning assembly, however, make sure all parts and hardware are included and free of obvious defect. If a part is missing or defective, hardware is missing, or you need help with assembly, please call toll free 888-944-8396.

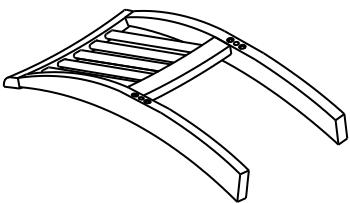
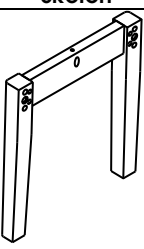
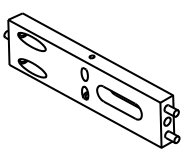
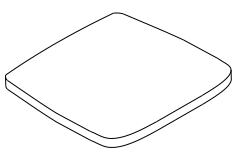
### IMPORTANT NOTE:

- Place all wooden parts on a clean and smooth surface such as a rug or carpet to avoid the parts from being scratched.
- Remove all wrapping material, including staples & packing straps before you start to assemble.
- DO NOT tighten all screws, bolts until completely assembled.
- Keep all hardware parts out of reach of children.



## PART LIST

When unpacking, please be careful not to discard any parts with the packaging. Before continuing, please make sure you have all of the following parts:

NO	Description	Qty	Sketch	NO	Description	Qty	Sketch
A	Chair Back	1		C	Front Frame	1	
B	Side Apron (L-R)	2		D	Seat	1	

Printed in Vietnam

# HARDWARE LIST

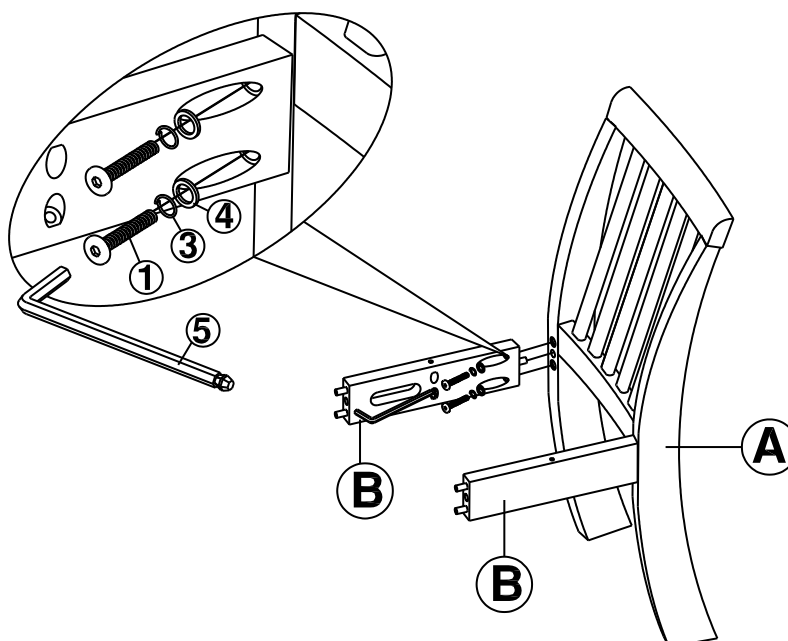
When unpacking, please be careful not to discard any parts with the packaging. Before continuing, please make sure you have all of the following hardware:

NO	Description	Qty	Sketch	NO	Description	Qty	Sketch
1	Short Bolt (M6 x 40mm)	4		5	Allen Key (M4 x 30mm x 110mm)	1	
2	Bolt (M6 x 50mm)	2		6	Curve Washer (12 x 16mm)	2	
3	Lock Washer (φ6.5 x 11mm)	4		7	Screw (M4 x 30mm)	3	
4	Flat Washer (φ6.5 x 13mm)	4					

## STEP 1

Attach side aprons (B) to back (A) with bolts (1), and washers (3) and (4) as shown below. Tighten with Allen key (5).

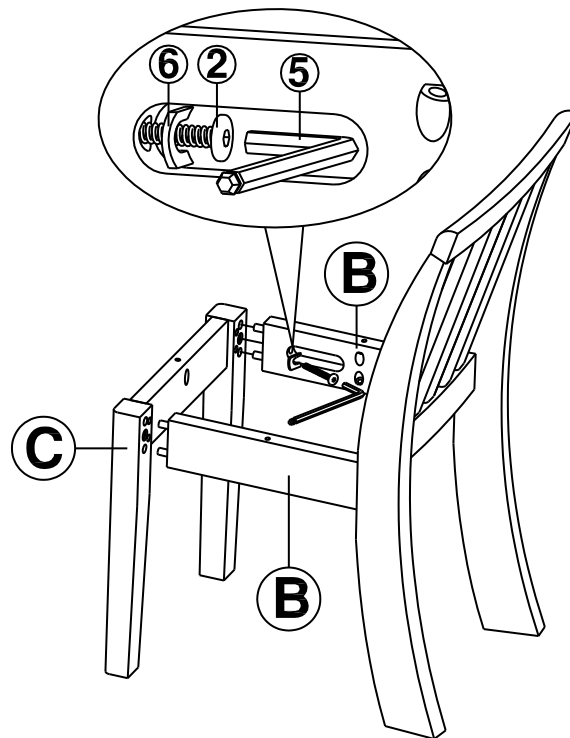
Note: DO NOT fully tighten any of the bolts, until the chair is assembled, then put on a flat level surface to make sure the chair is level and then tighten the bolts.



Printed in Vietnam

## STEP 2

Attach front frame (C) to side aprons (B) with bolts (2) and curve washers (6), as shown below. Tighten with Allen key (5).



## STEP 3

Attach seat (D) to top of seat frame with screws (7) as shown below. Tighten with a screwdriver.

