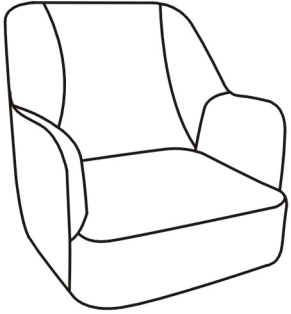
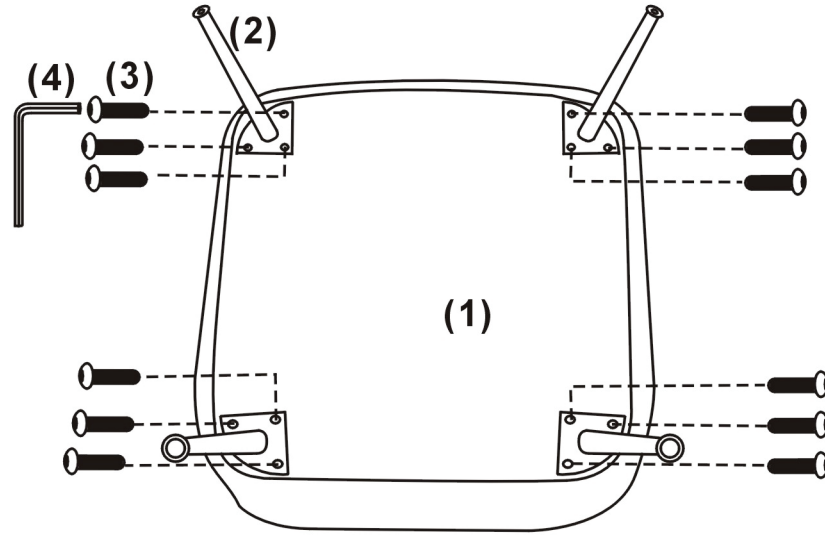


# ASSEMBLY INSTRUCTIONS

(1)X1



1



(2)X4



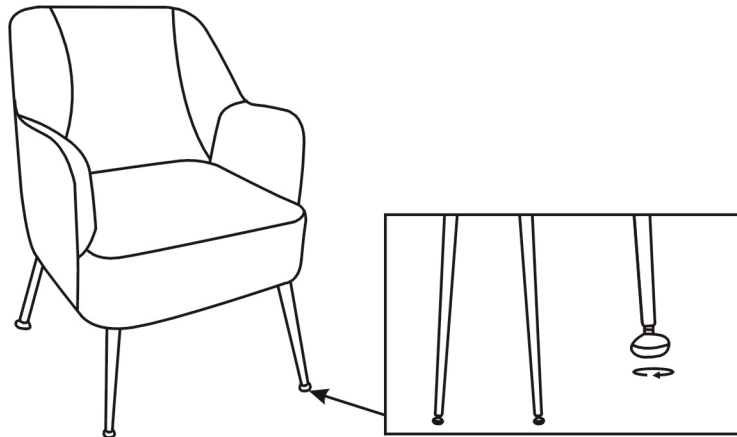
(3)X12



(4)X4



2



3

