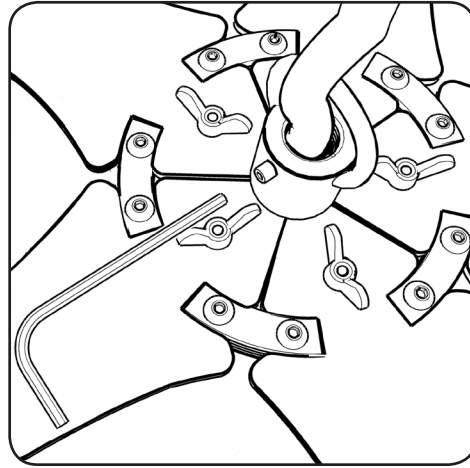


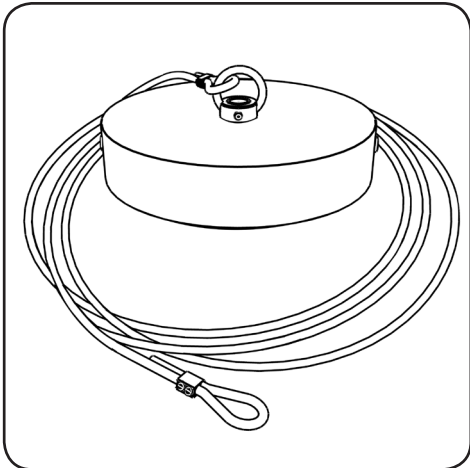
STEP 08

Repeat for leaves 3-5.



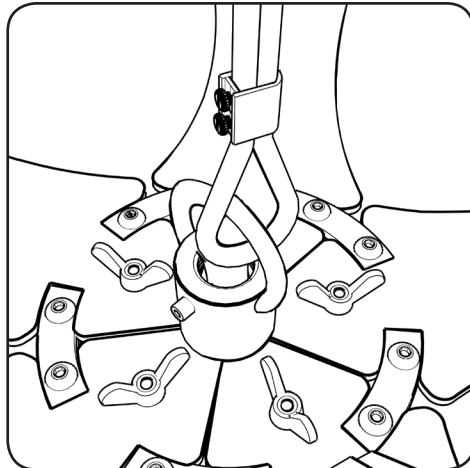
STEP 09

Lower the D-ring nut and screw until tight. Tighten the set screw with the allen key provided.



STEP 10

Take out the ceiling cap and support wire.

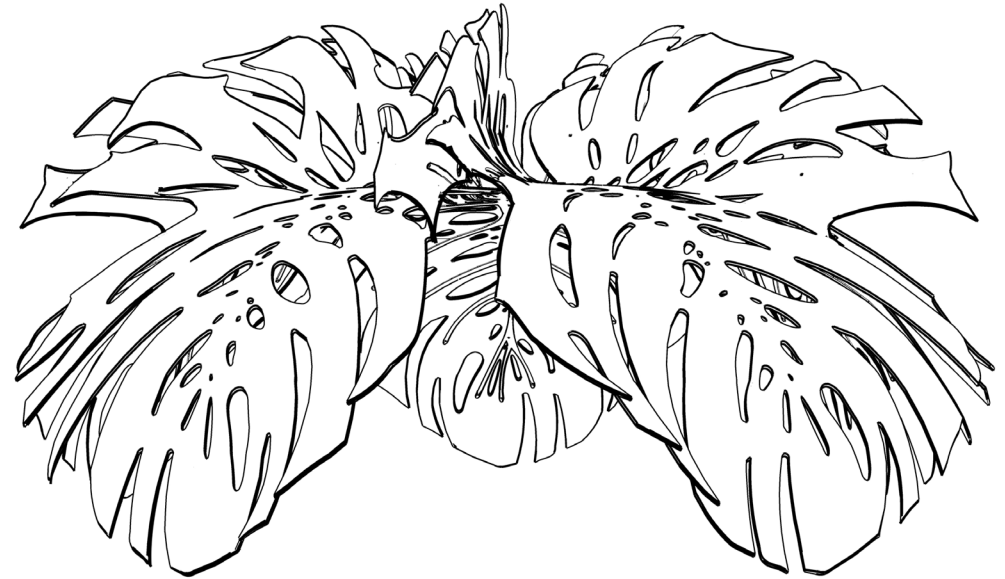


STEP 11

Attach the other end of the support wire to the D-ring nut. Use a small flat head screw driver (not provided) to fasten the cable.

DELICIOUS LIGHT

INSTRUCTION MANUAL



A REGISTERED DESIGN OF

XAVIER CLARISSE



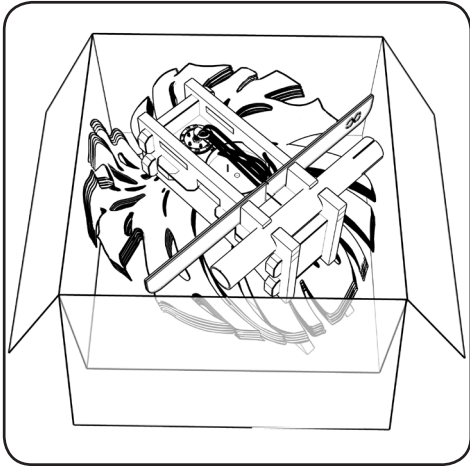
MADE IN AFRICA



NGALA TRADING

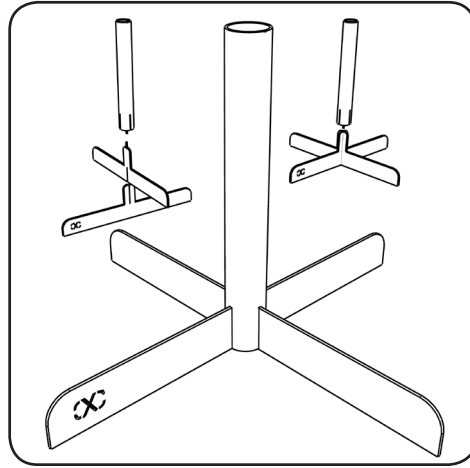
OFFICIAL USA DISTRIBUTORS

For More Support:
info@ngalatrading.com



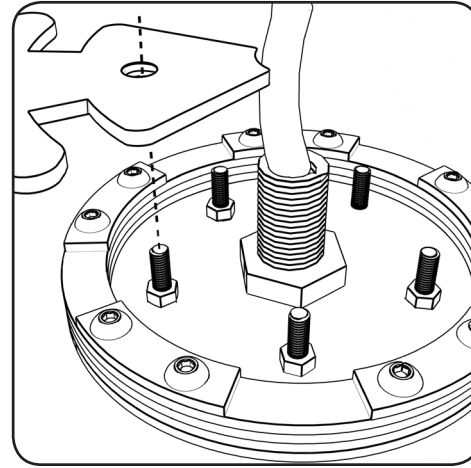
WHAT'S IN THE BOX

Leaves x 5.
Toolbox containing the assembly stand, central electrical component, ceiling cap with support cable, 6 x wing nuts (5+1 extra) and 1 x allen key.



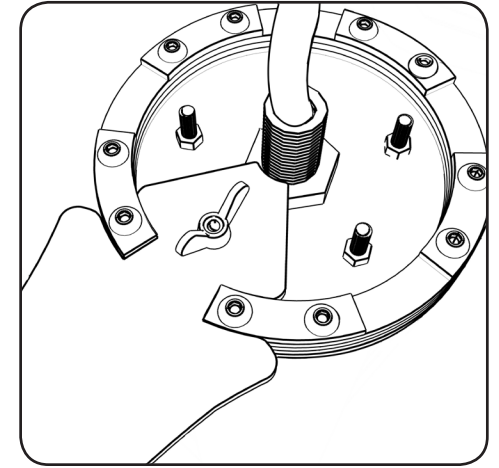
STEP 01

Lift out the toolbox.
Take out the 2 part wooden stand and slot it together.
Take out the tube and slide it onto the wooden stand.



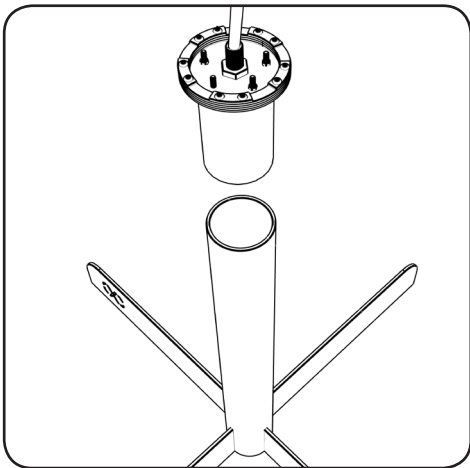
STEP 04

Lower the leaf onto the central base.



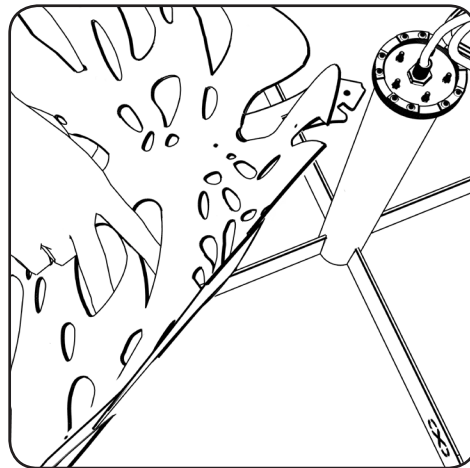
STEP 05

Secure the leaf with a wing nut.
Screw the wing nut tightly.



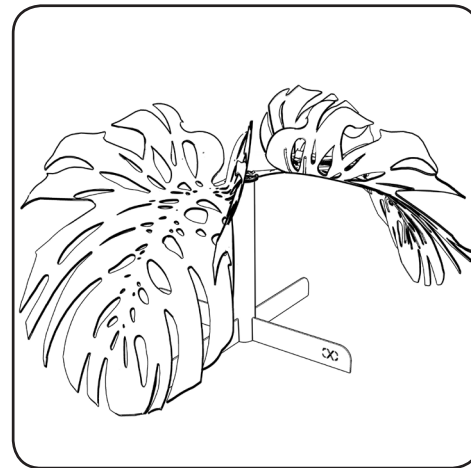
STEP 02

Take out the central electrical component and insert it into the top of the assembly stand tube.



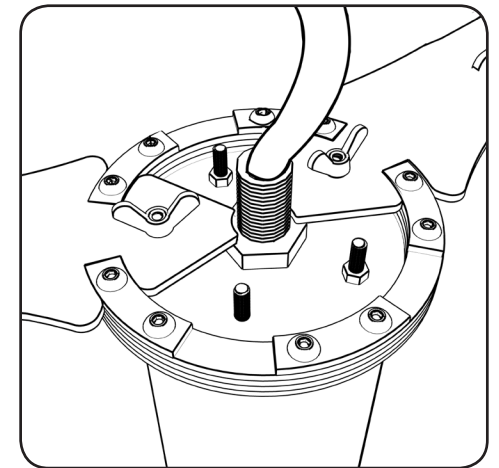
STEP 03

Take out the first leaf and hold as shown.



STEP 06

Attach the second leaf across from the first for balance.



STEP 07

Secure the second leaf with a wing nut.
Screw the wing nut tightly.