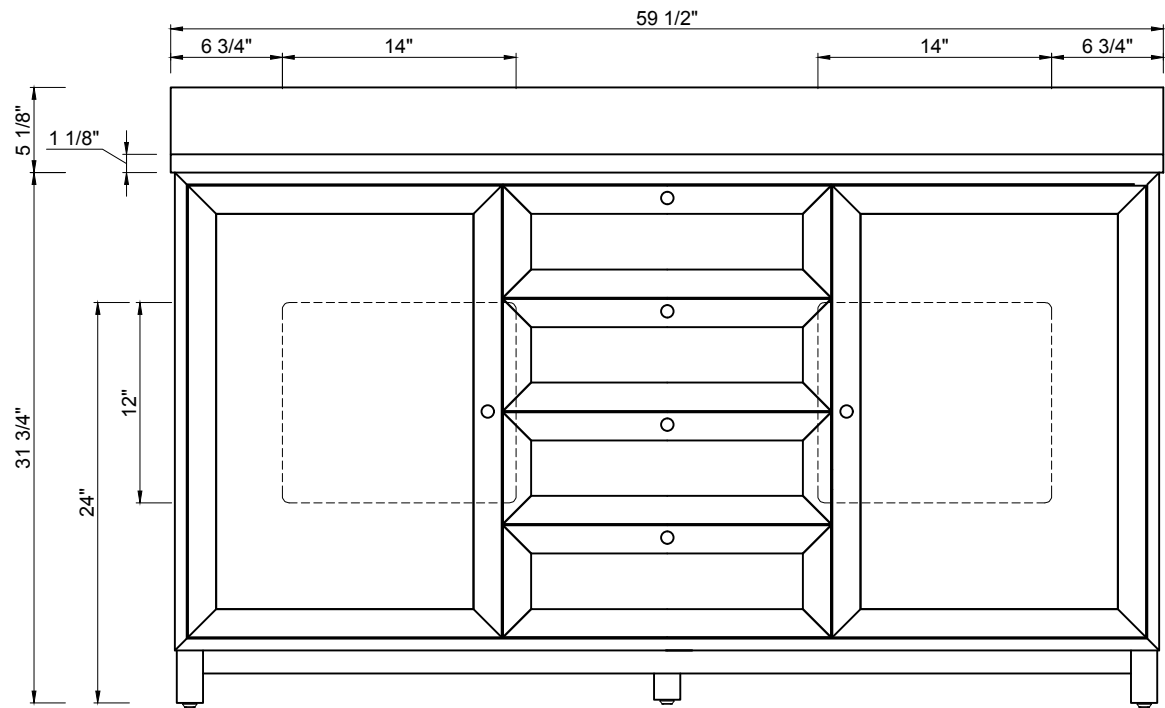
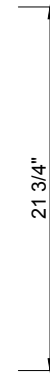
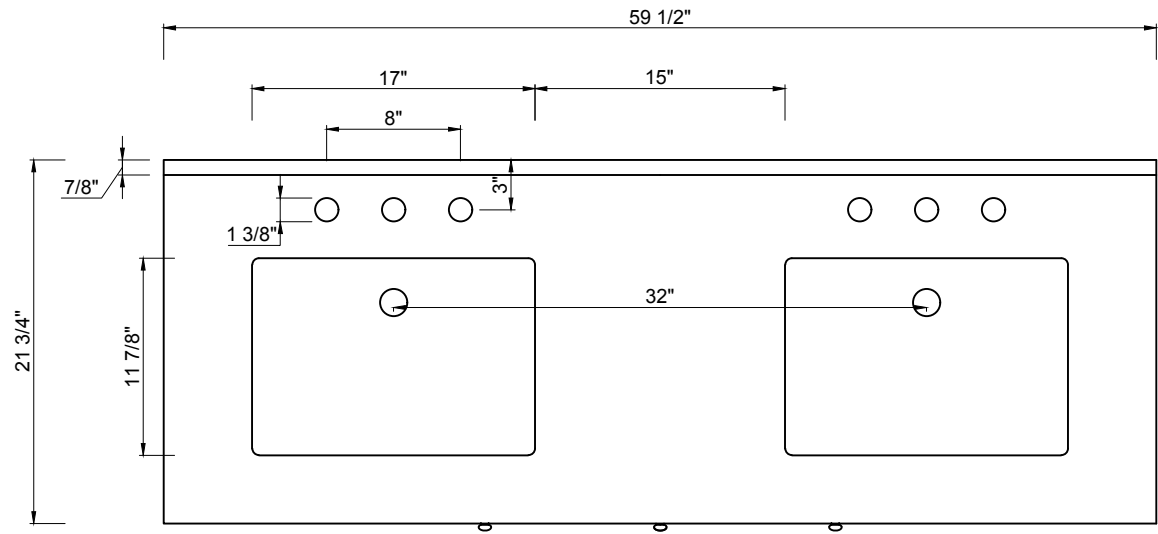
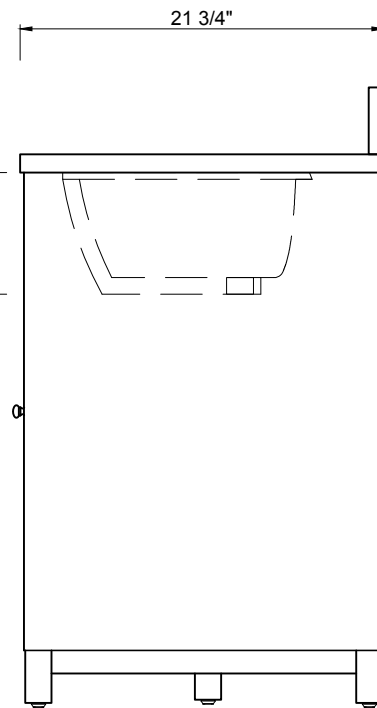


# PLAN VIEW



# FRONT ELEVATION



# SIDE ELEVATION