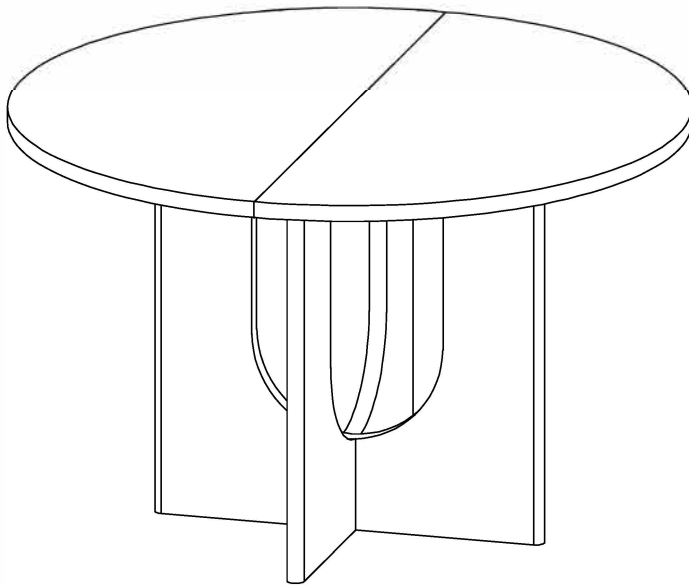


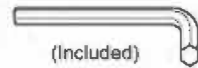
ASSEMBLY INSTRUCTIONS



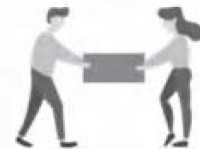
TOOLS REQUIRED



Screwdriver
(Not included)



(Included)
Allen Wrench



2 - People

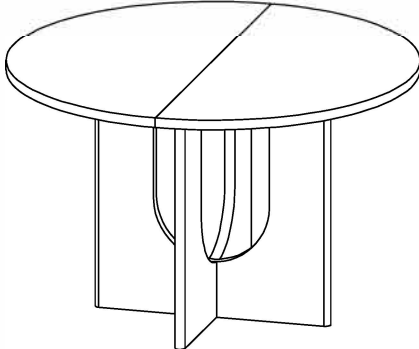
ASSEMBLY RATING



EASY —————> DIFFICULT

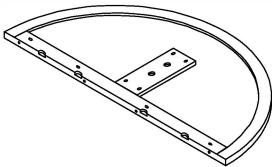
The Assembly Rating is a 5-point system showing the level of effort needed to assemble a specific product.

ROUND DINING TABLE



PARTS

1



TOP
2 pcs.

2



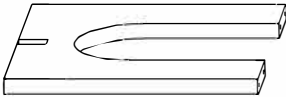
LONG CONNECTOR
1 pc.

3



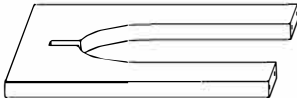
SHORT CONNECTOR
2 pcs.

4



LEG1
1 pc.

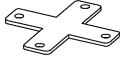
5



LEG2
1 pc.

HARDWARE

A



METAL BRACKET
4" x 4" x 1/8"
1 pc.

B



WOOD DOWEL
Ø10 x 30MM
4 pcs.

C



BOLT
1/4" x 1-1/4"
24 pcs.

D



BOLT
1/4" x 1-1/4"
4 pcs.

E



SPRING WASHER
Ø1/4"
24 pcs.

F



FLAT WASHER
Ø1/4"
24 pcs.

G



ALLEN WRENCH
M4
1 pc.

ASSEMBLY INSTRUCTIONS

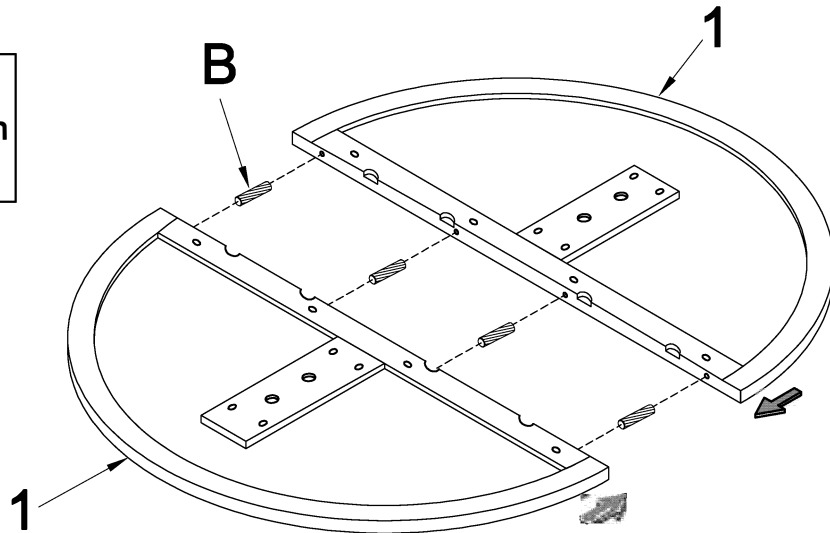
1

DO NOT FULLY TIGHTEN ALL BOLTS UNTIL ASSEMBLY IS COMPLETED.

Part 1 x 2pcs

Hardware B x 4pcs

Align Wood Dowels (B) into the designated holes on the two table tops (1).



2

Part 4 x 1pc

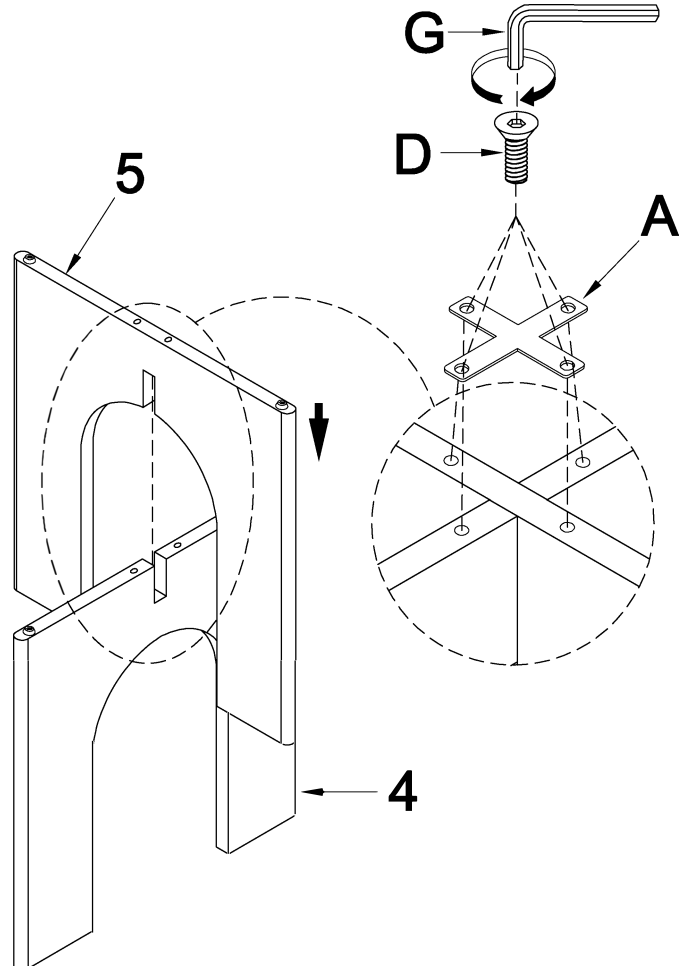
Part 5 x 1pc

Hardware A x 1pc

Hardware D x 4pcs

Hardware G x 1pc

Attach the Leg2 (5) into the Leg1 (4), then secure by metal bracket(A) and bolts(D).



ASSEMBLY INSTRUCTIONS

3

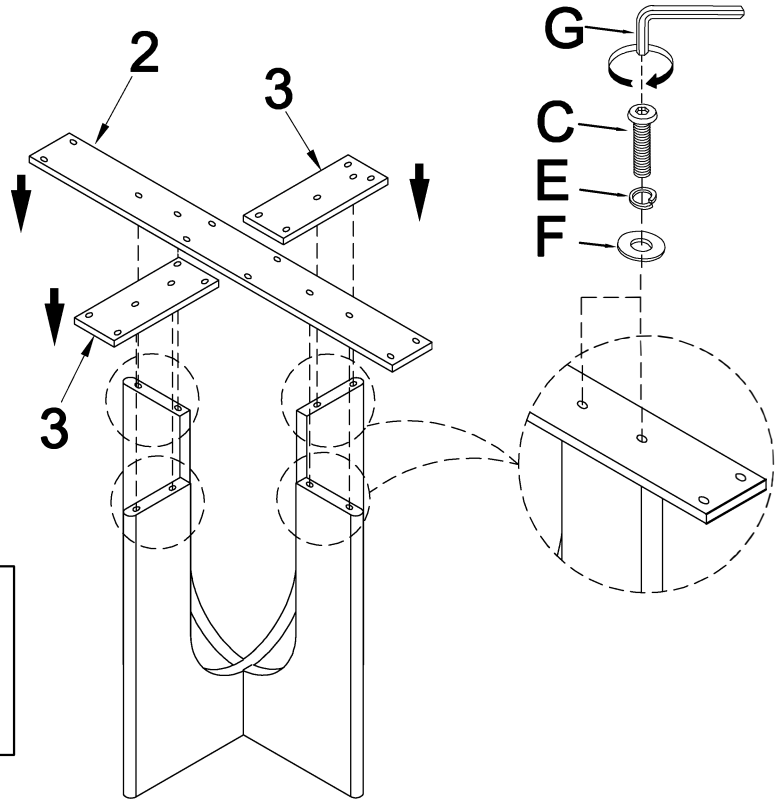
Part 2 x1pc

Part 3 x2pcs

Hardware C x 8pcs

Hardware E x 8pcs

Hardware F x 8pcs



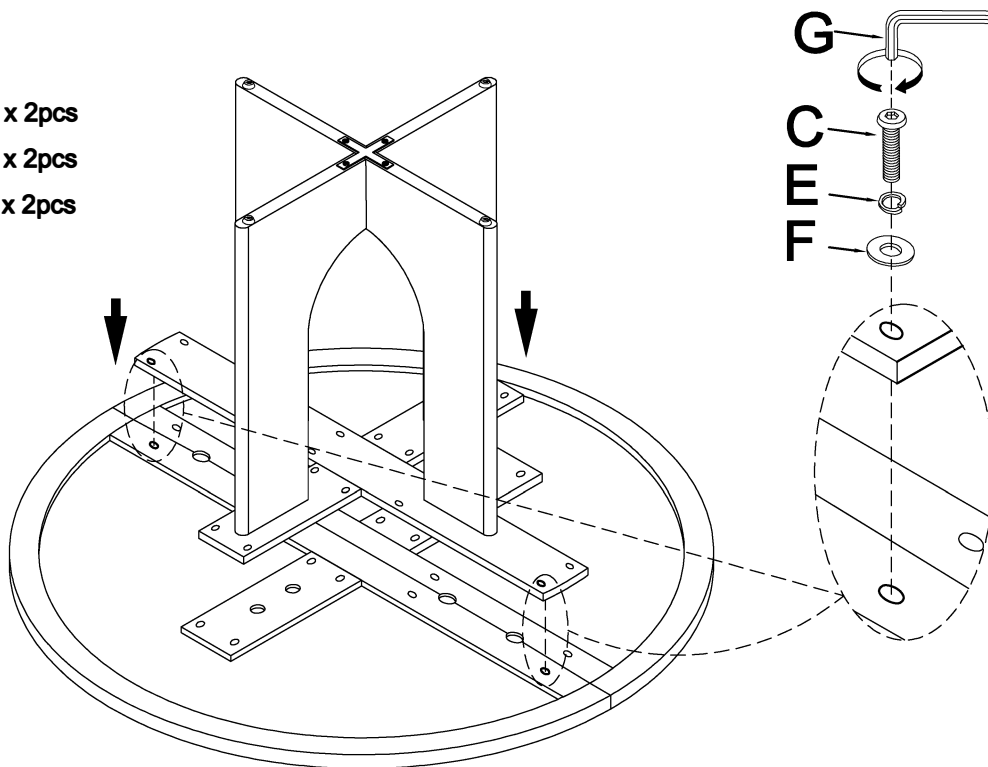
Align Long Connector (2) and Short Connector (3) to the Legs then secure by using bolt (C) with spring washer (E) and flat washer (F).

4

Hardware C x 2pcs

Hardware E x 2pcs

Hardware F x 2pcs



Only tighten the 2 screws on the same side of the long board

Align long Connectors to the Top then secure by using bolt (C) with spring washer (E) and flat washer (F).

ASSEMBLY INSTRUCTIONS

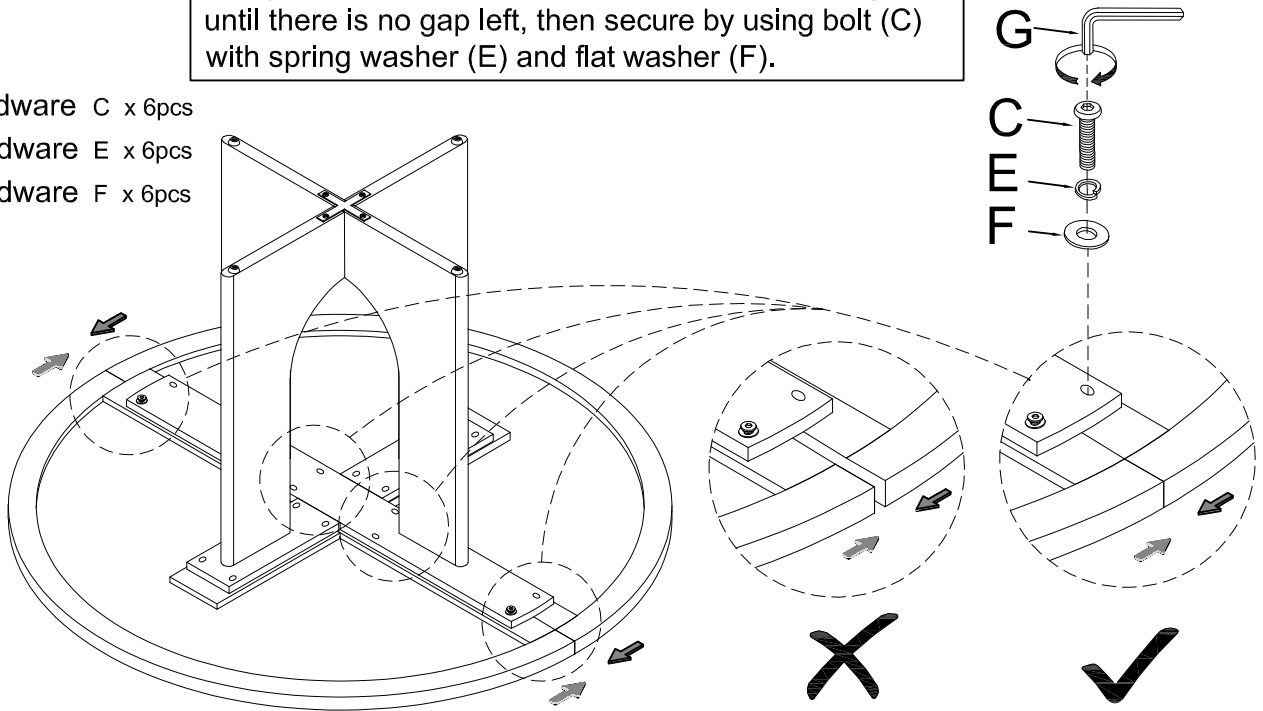
5

Use your hands to pull the two tabletops closer together until there is no gap left, then secure by using bolt (C) with spring washer (E) and flat washer (F).

Hardware C x 6pcs

Hardware E x 6pcs

Hardware F x 6pcs



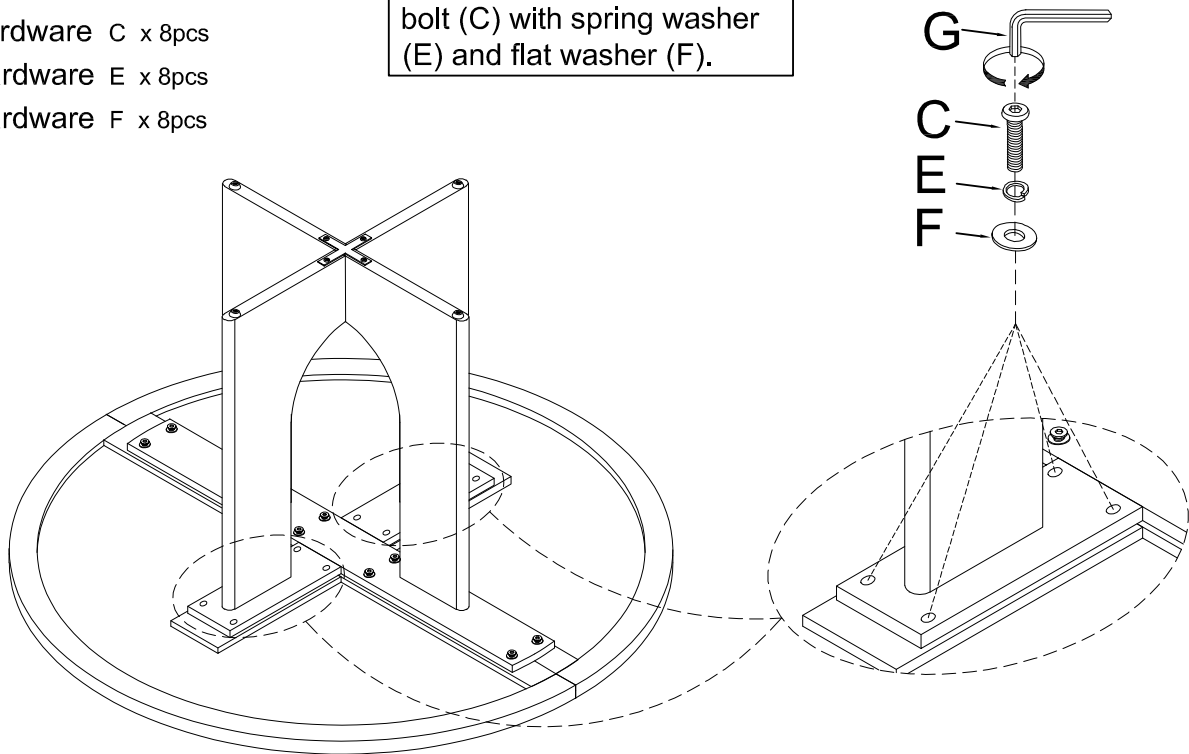
6

Align short Connectors to the Top then secure by using bolt (C) with spring washer (E) and flat washer (F).

Hardware C x 8pcs

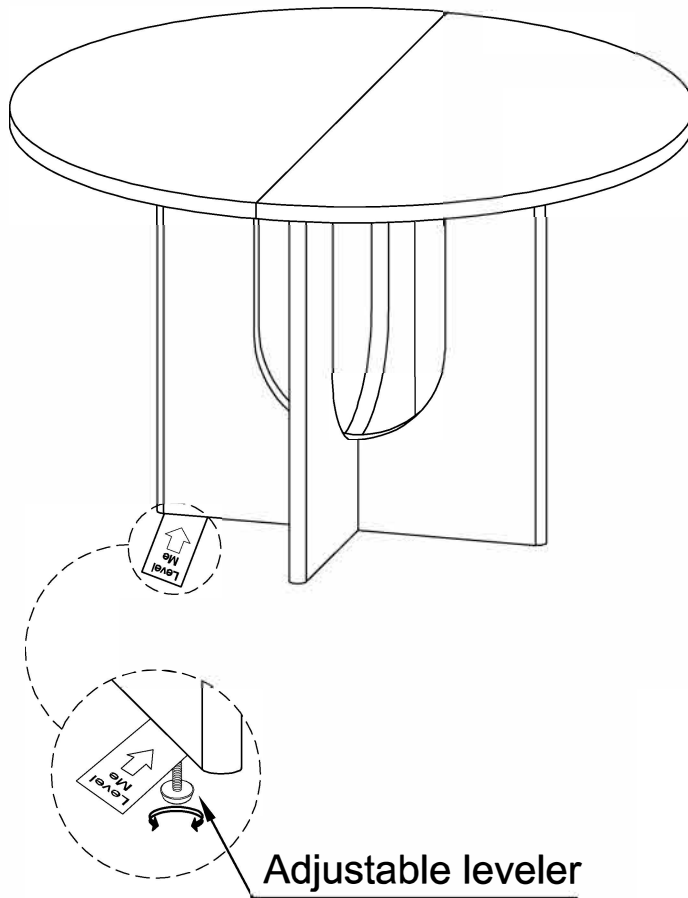
Hardware E x 8pcs

Hardware F x 8pcs



ASSEMBLY INSTRUCTIONS

7



This product is intended for RESIDENTIAL USE ONLY and not for commercial use.