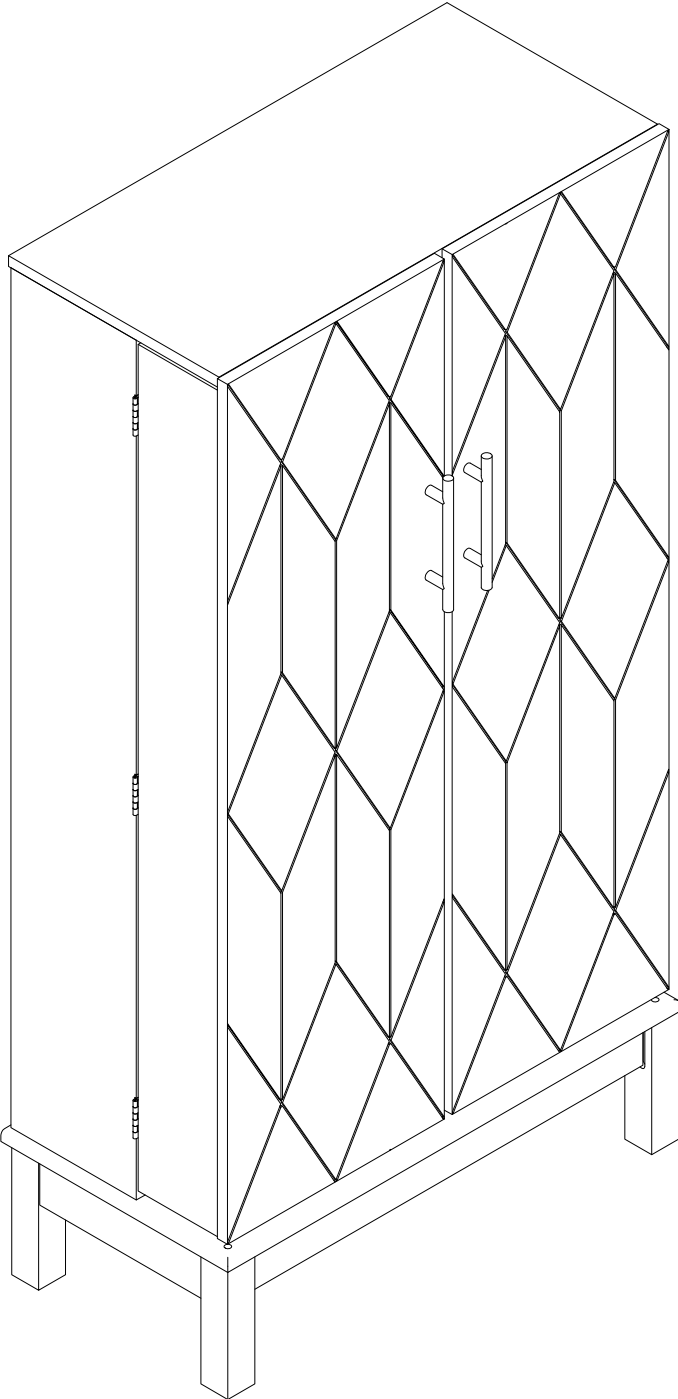
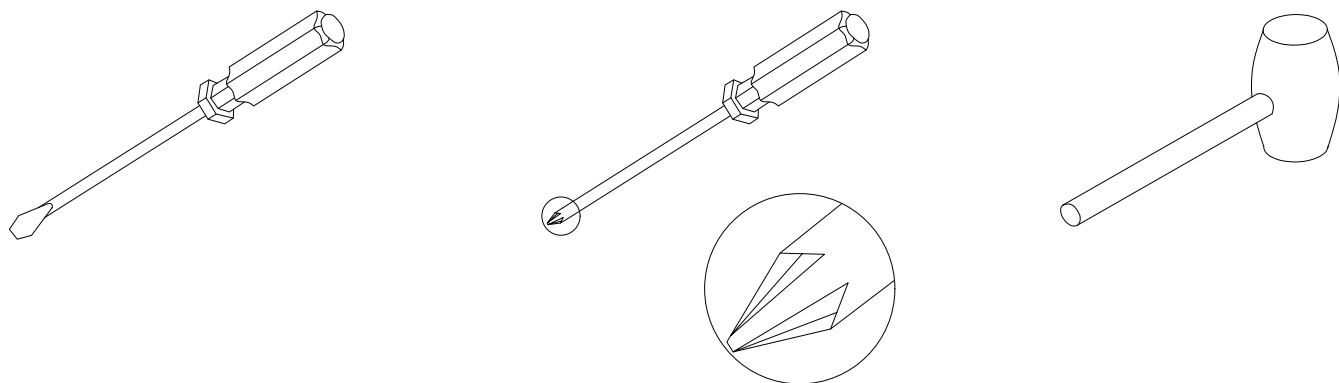


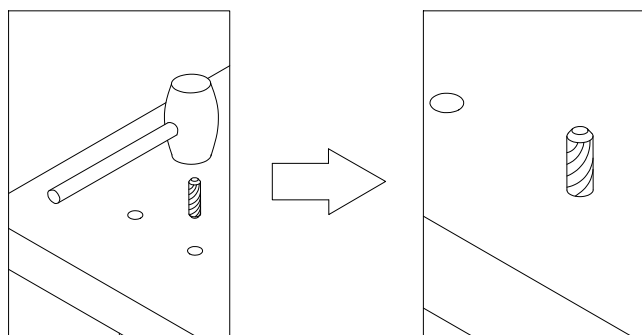
ASSEMBLY INSTRUCTIONS



ASSEMBLY TOOLS REQUIRED (NOT INCLUDED)



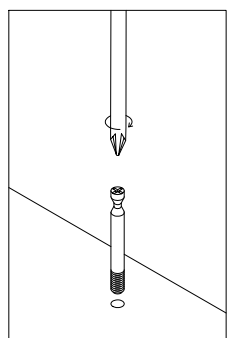
Wooden dowel installation



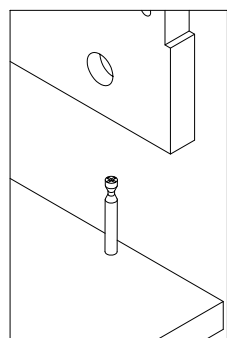
Gently tap dowel into hole with rubber mallet.

- * Before discarding packing materials, please check all parts and hardware are presented.
- * Please follow the instructions closely.
- * After few days of initial assembly, the product may has acclimated to new environment, please tighten all hardware again.

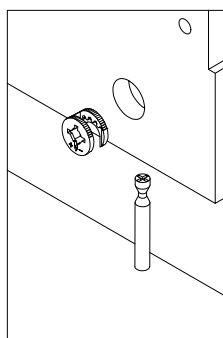
Hidden connector..... Assembly Techniques



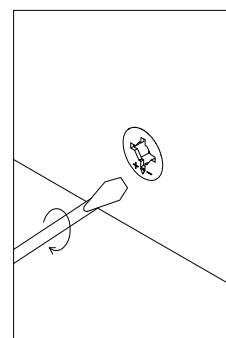
STEP (1)



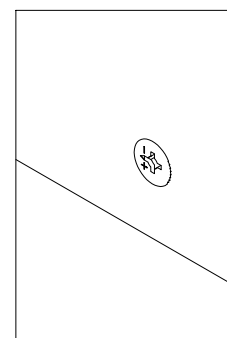
STEP (2)



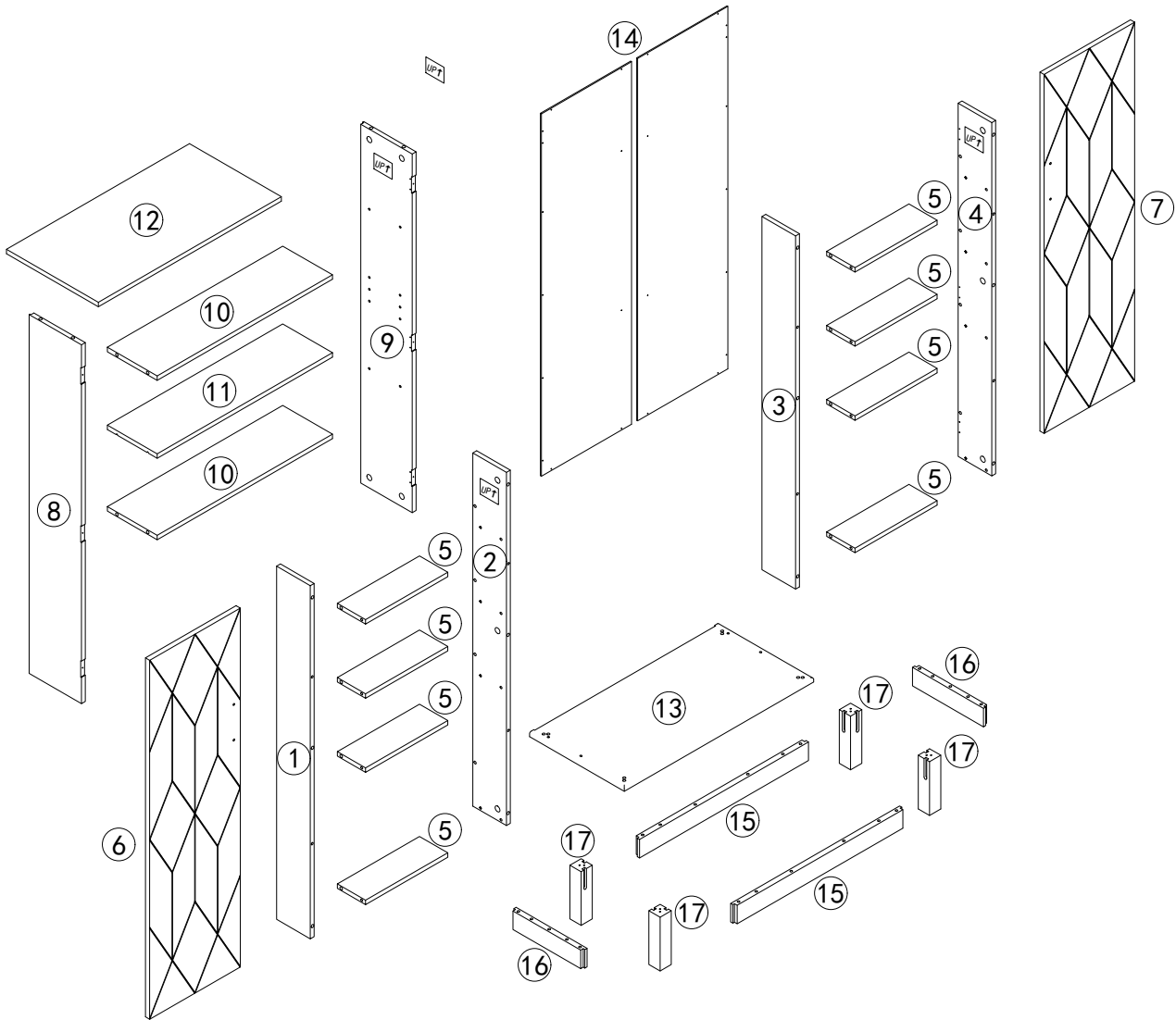
STEP (3)

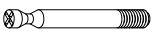

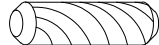
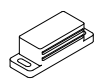
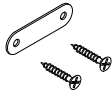






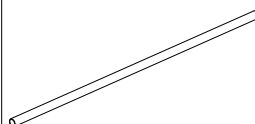


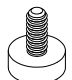

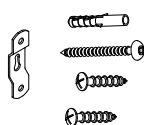


STEP (4)

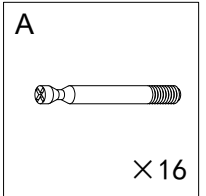
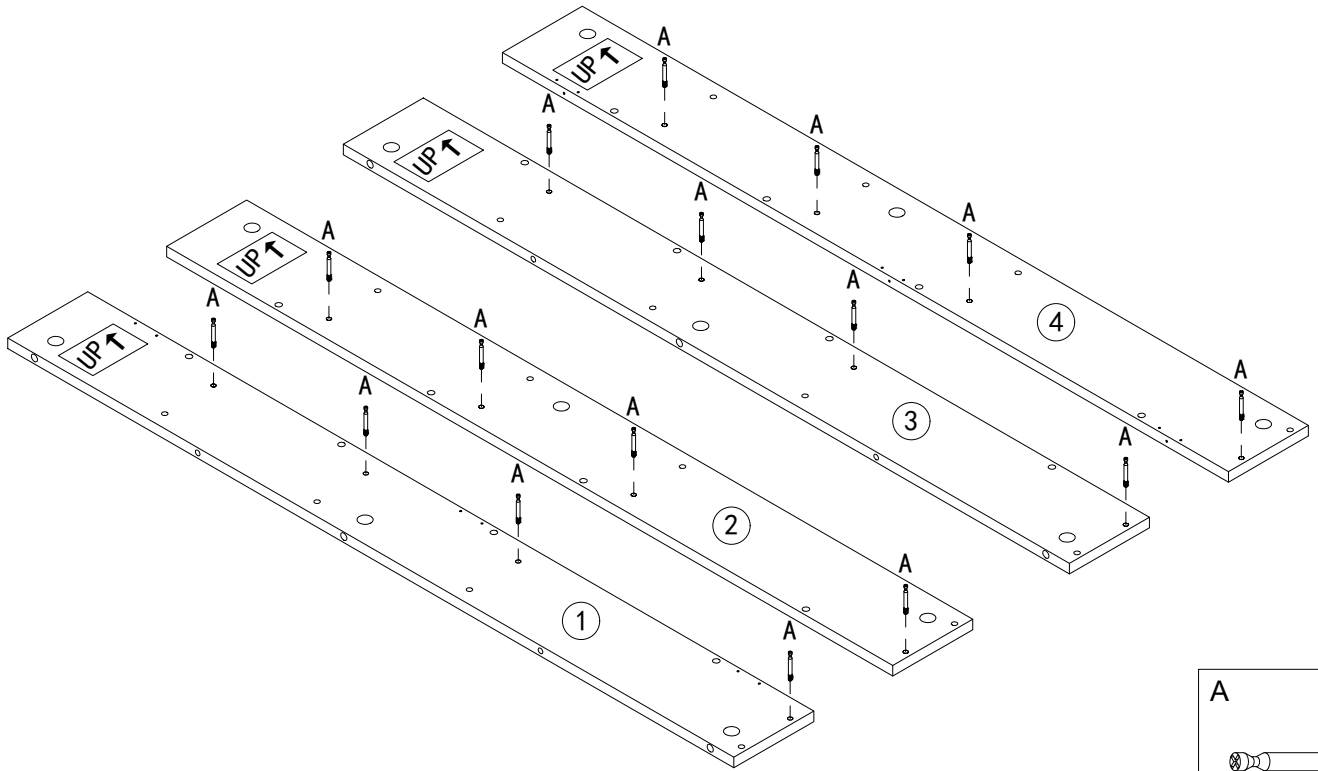


STEP (5)

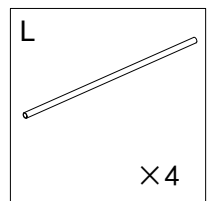
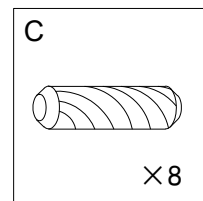
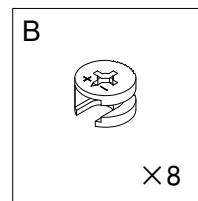
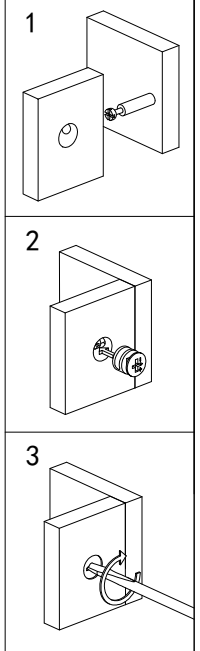
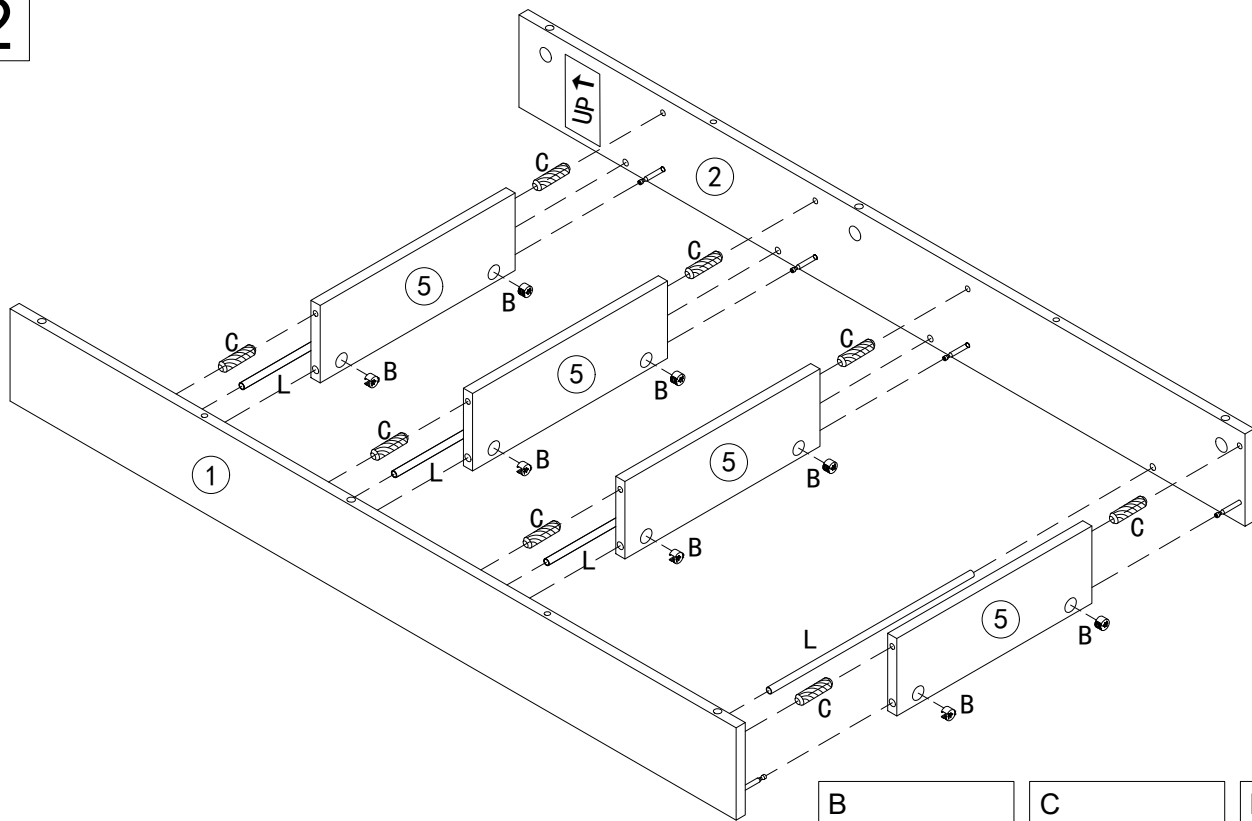


<p>A</p>  <p>× 44</p> <p>φ6 × 27.5mm</p>	<p>B</p>  <p>× 44</p> <p>φ10 × 15mm</p>	<p>C</p>  <p>× 32</p> <p>φ6 × 30mm</p>	<p>D</p>  <p>× 2</p> <p>45 × 16 × 14mm</p>	<p>E</p>  <p>× 2</p>
<p>F</p>  <p>× 6</p>	<p>G</p>  <p>× 36</p> <p>FA3 × 12mm</p>	<p>H</p>  <p>× 4</p> <p>5 × 8 + 5 × 8mm</p>	<p>I</p>  <p>× 20</p> <p>FA3 × 12mm</p>	<p>J</p>  <p>× 2</p>
<p>K</p>  <p>× 4</p> <p>M4 × 18mm</p>	<p>L</p>  <p>× 8</p> <p>8 × 265mm</p>	<p>M</p>  <p>× 4</p> <p>FA3 × 14mm</p>	<p>N</p>  <p>× 14</p> <p>FA4 × 45mm</p>	<p>O</p>  <p>× 4</p>
<p>P</p>  <p>× 8</p> <p>FA4 × 25mm</p>	<p>Q</p>  <p>× 2</p>			

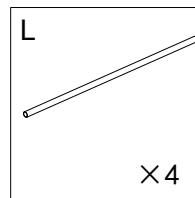
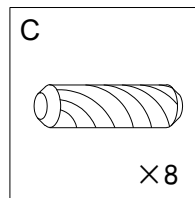
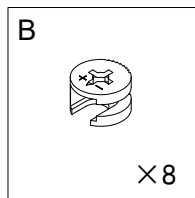
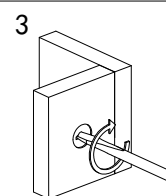
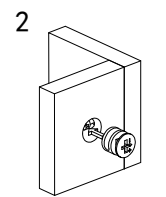
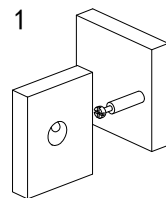
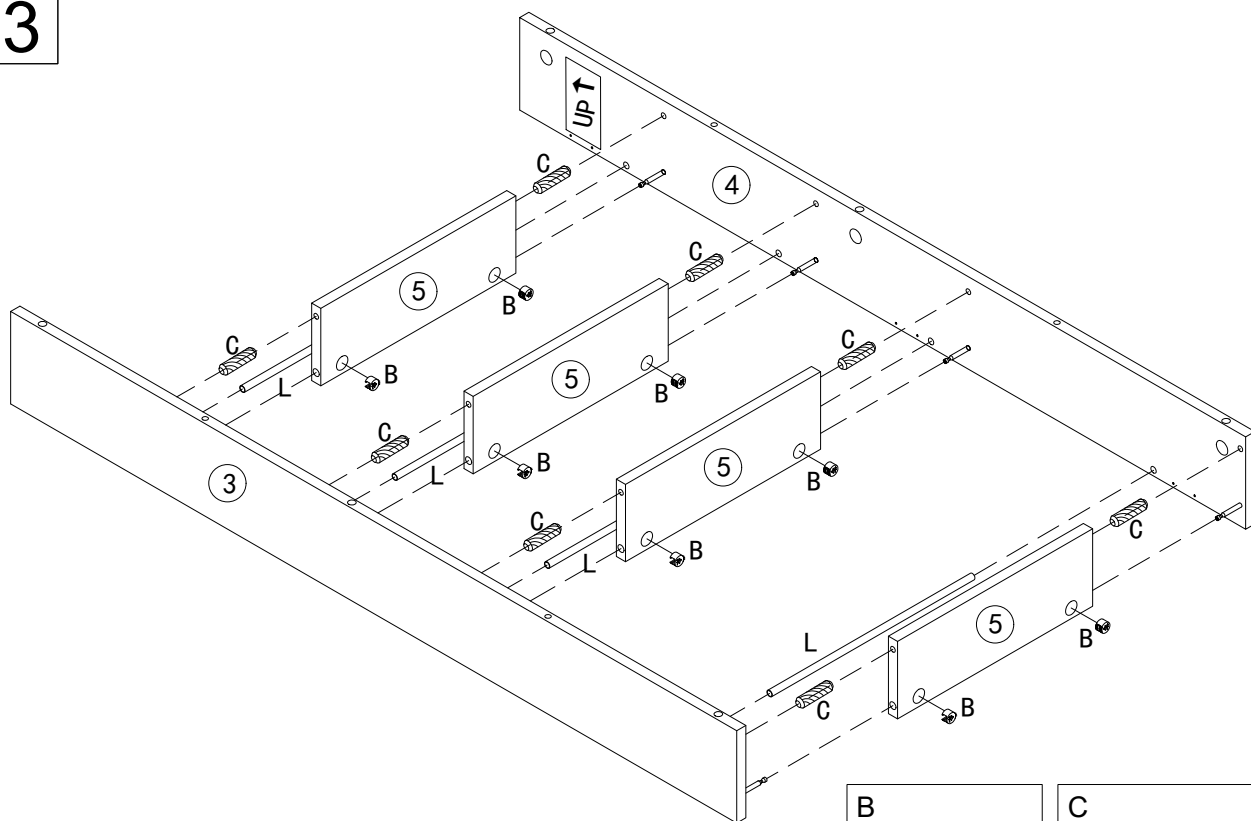
1



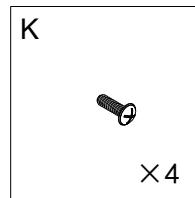
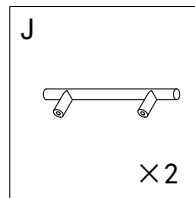
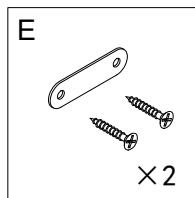
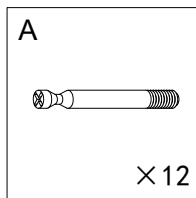
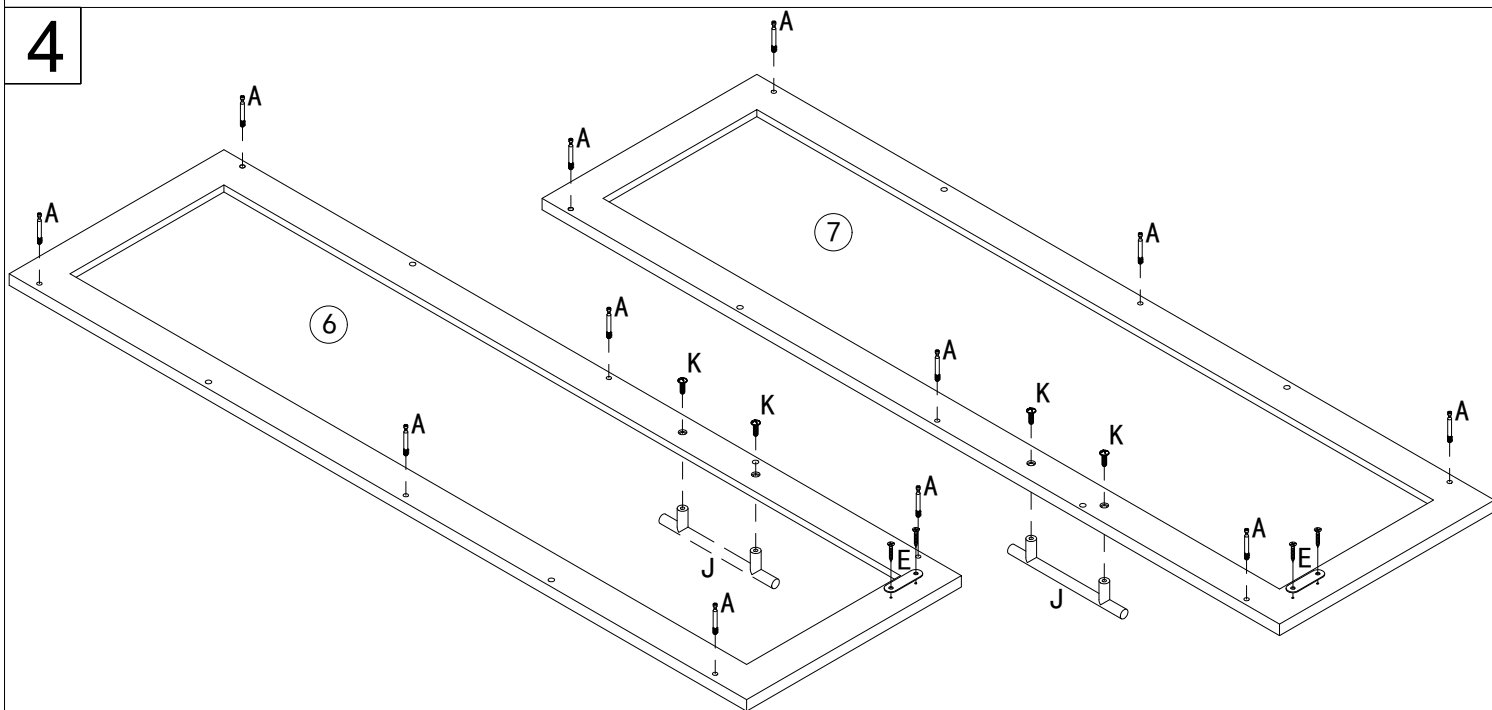
2



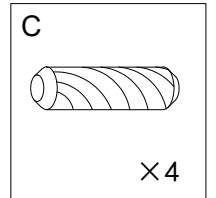
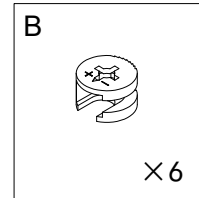
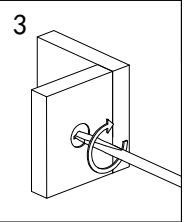
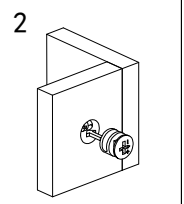
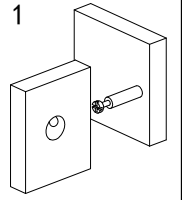
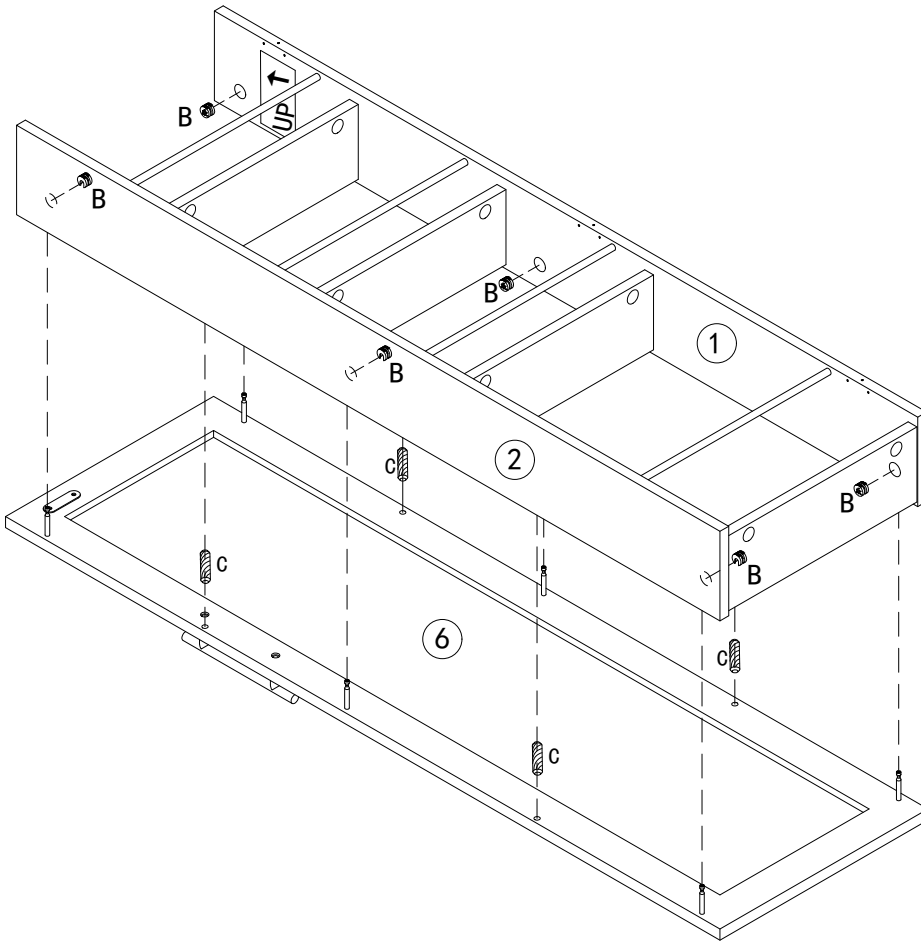
3



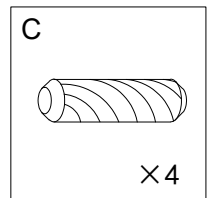
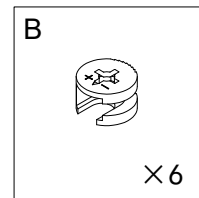
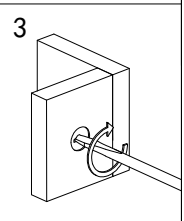
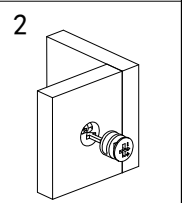
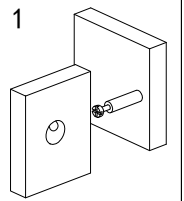
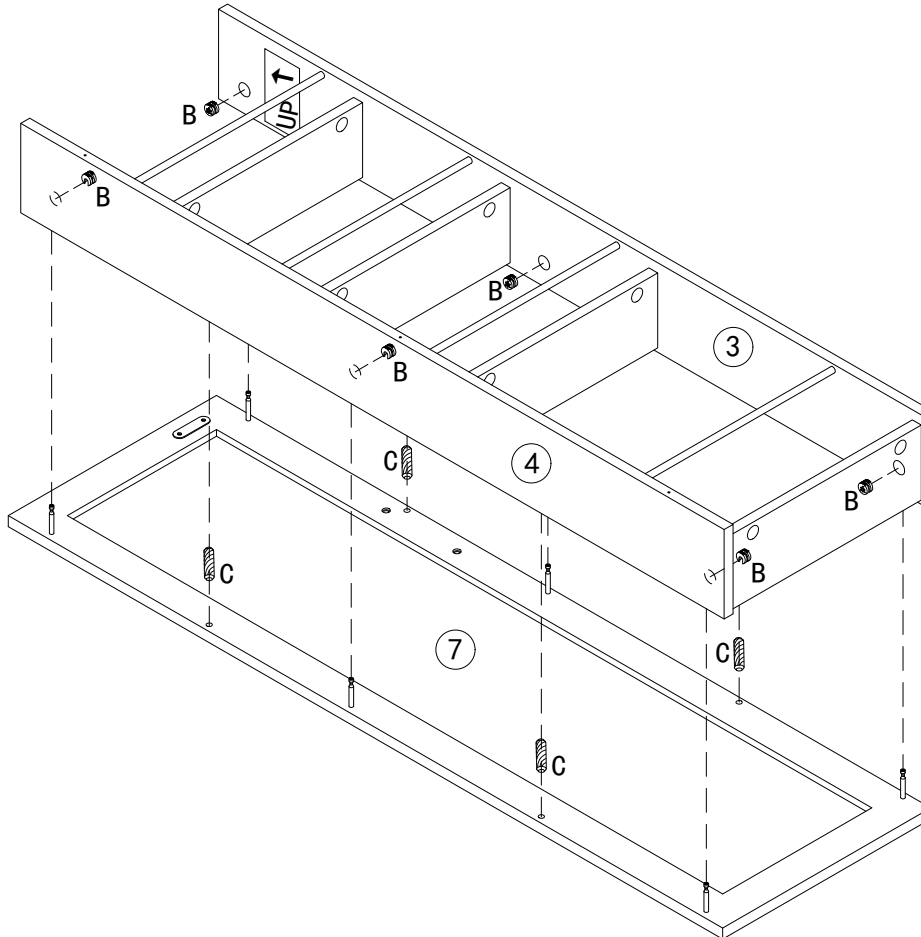
4



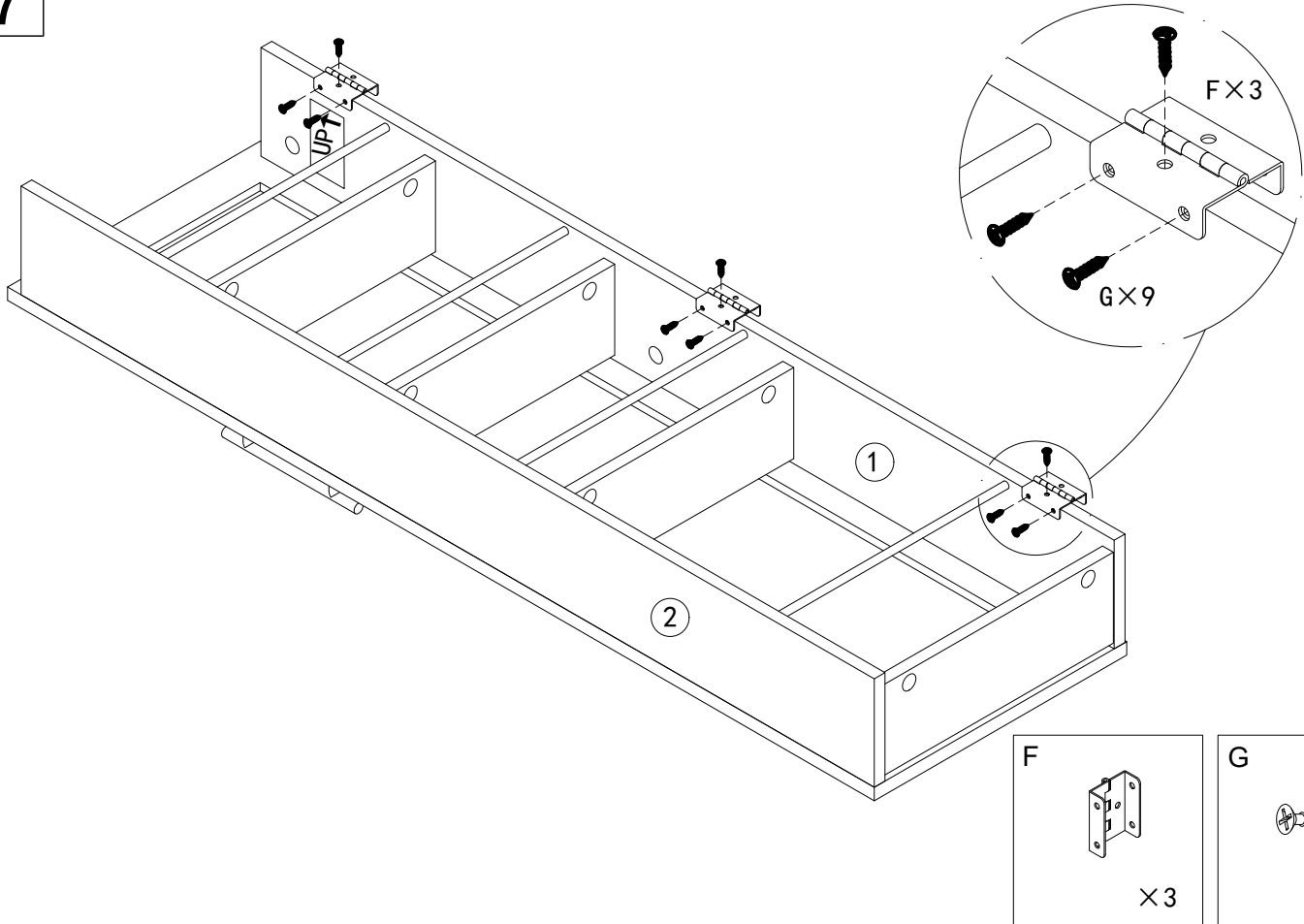
5



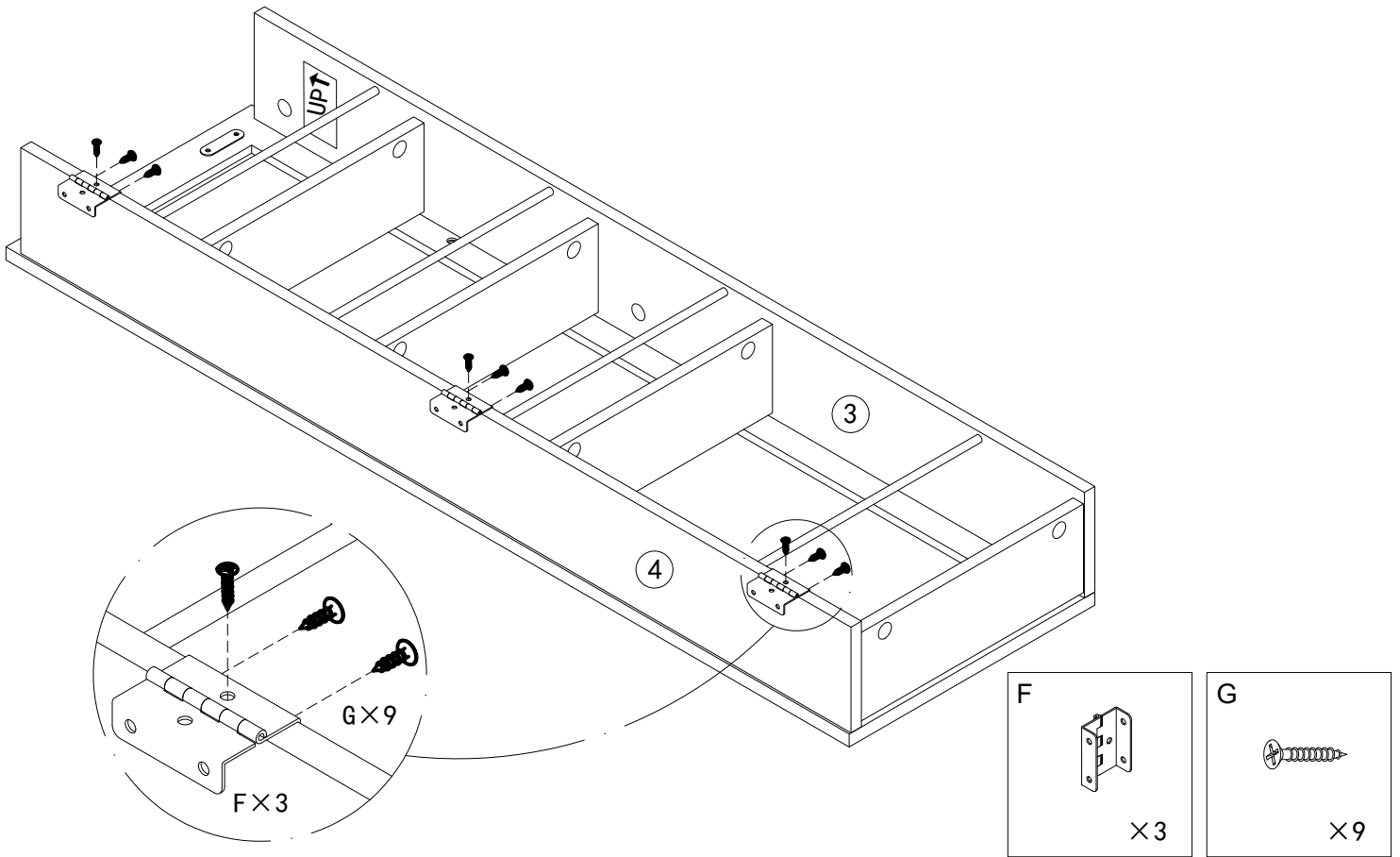
6



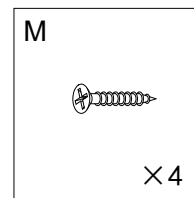
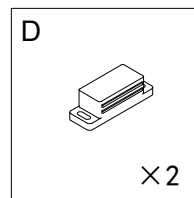
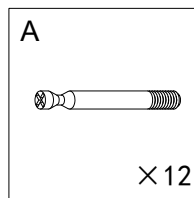
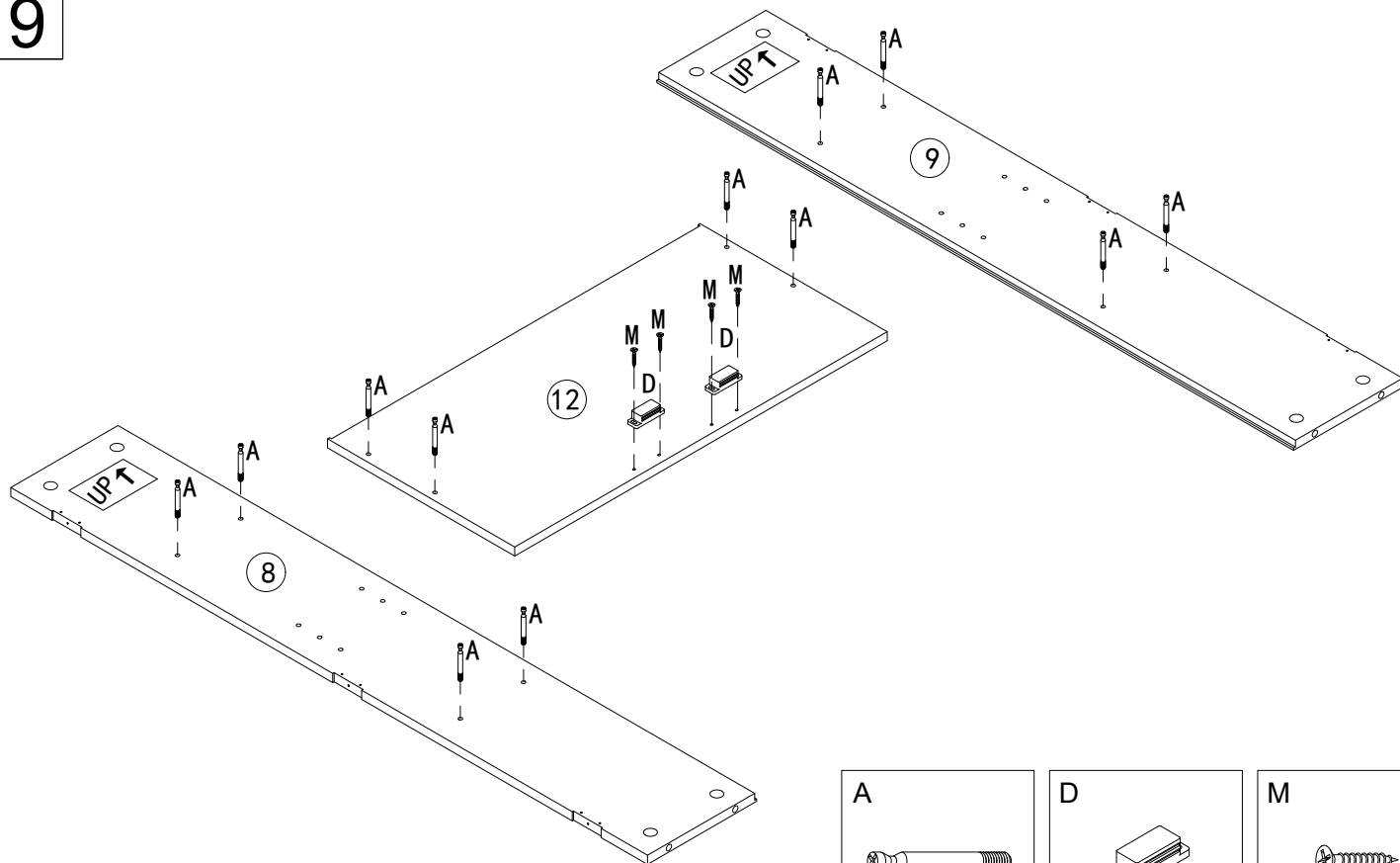
7



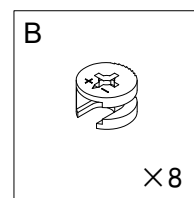
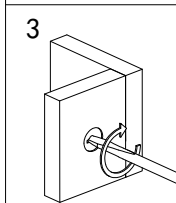
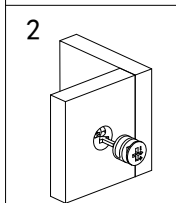
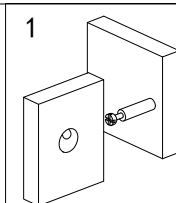
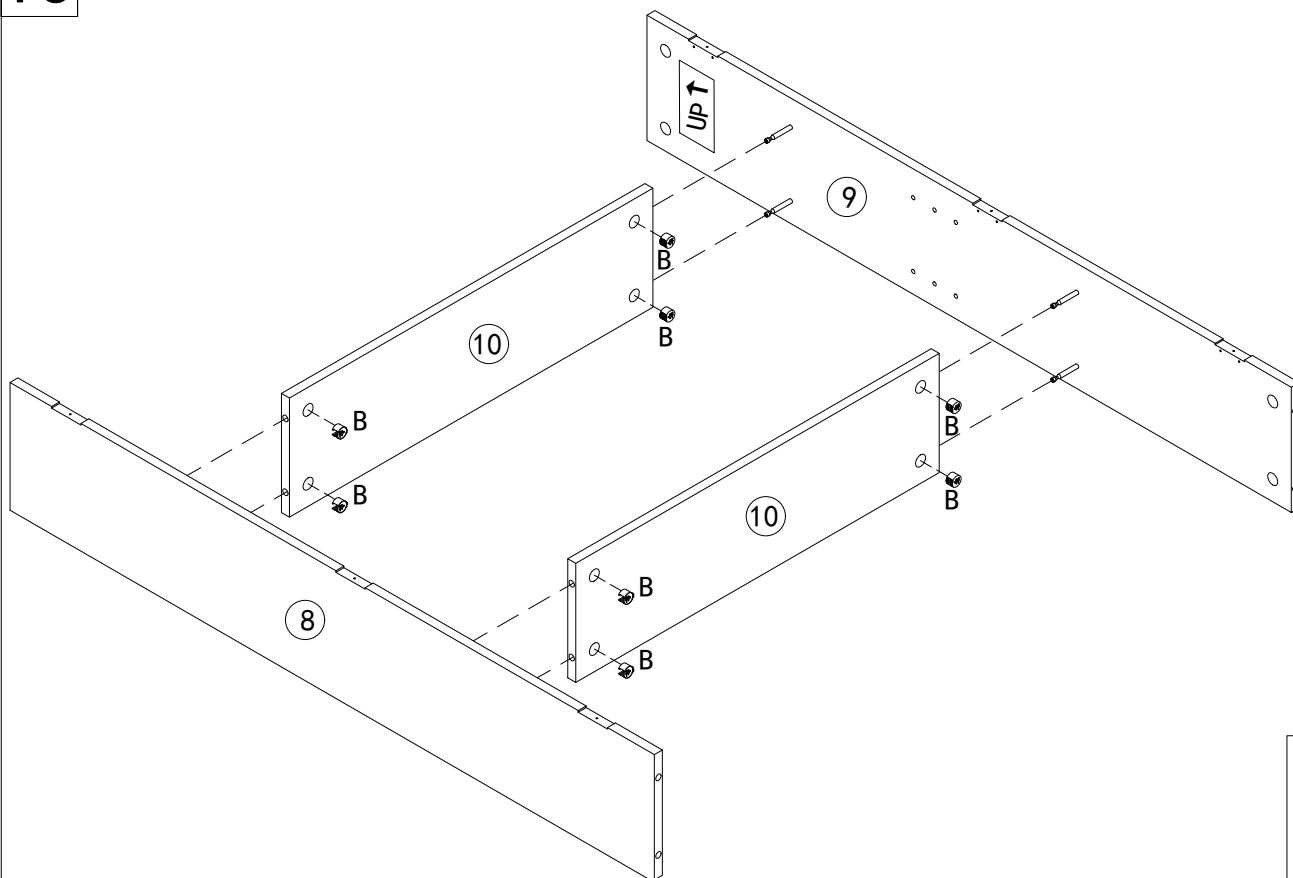
8



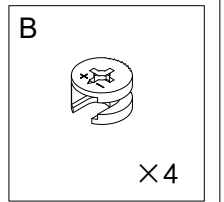
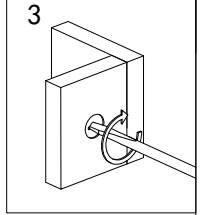
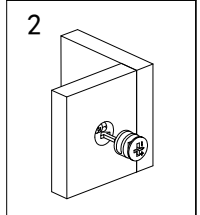
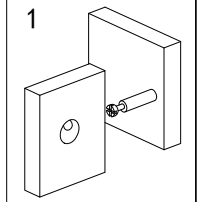
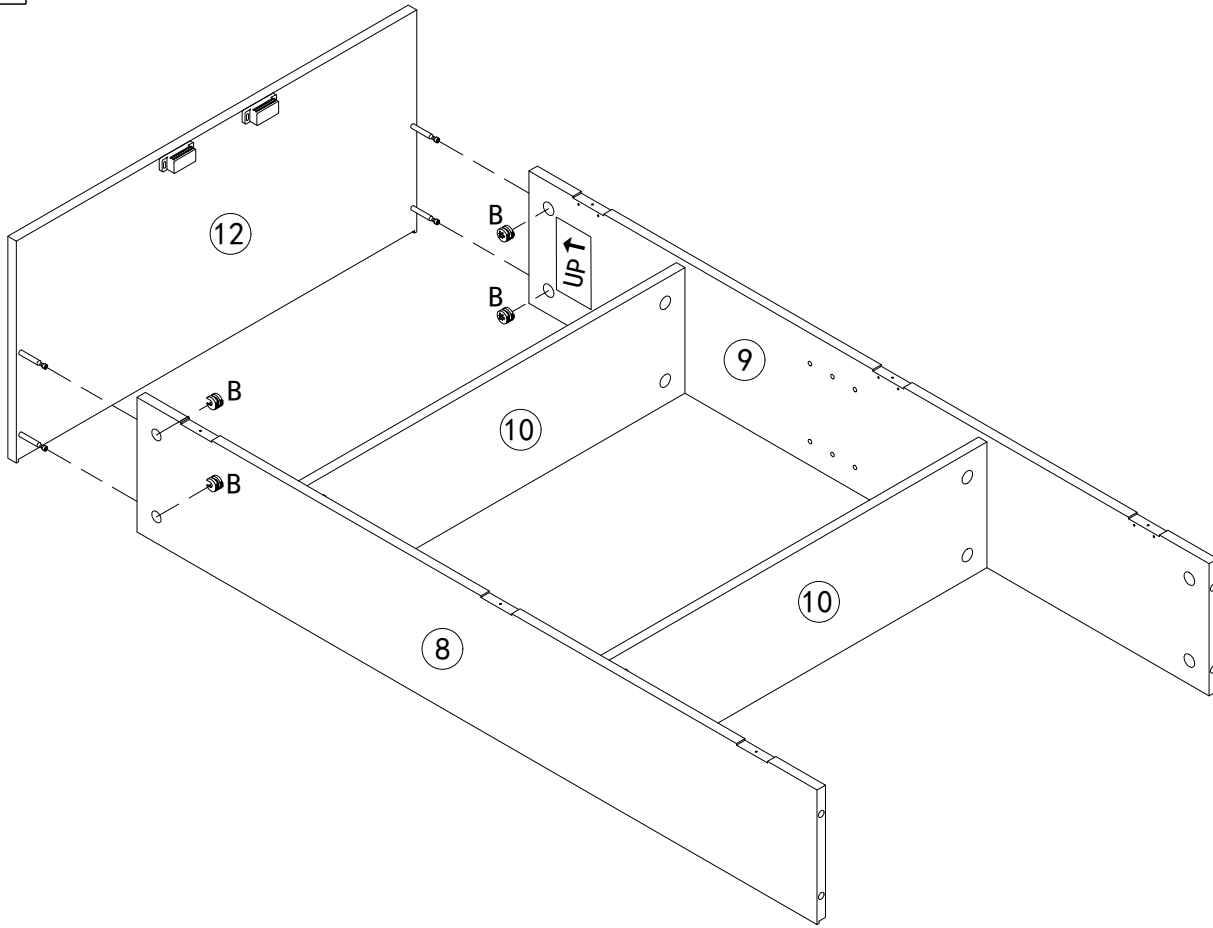
9



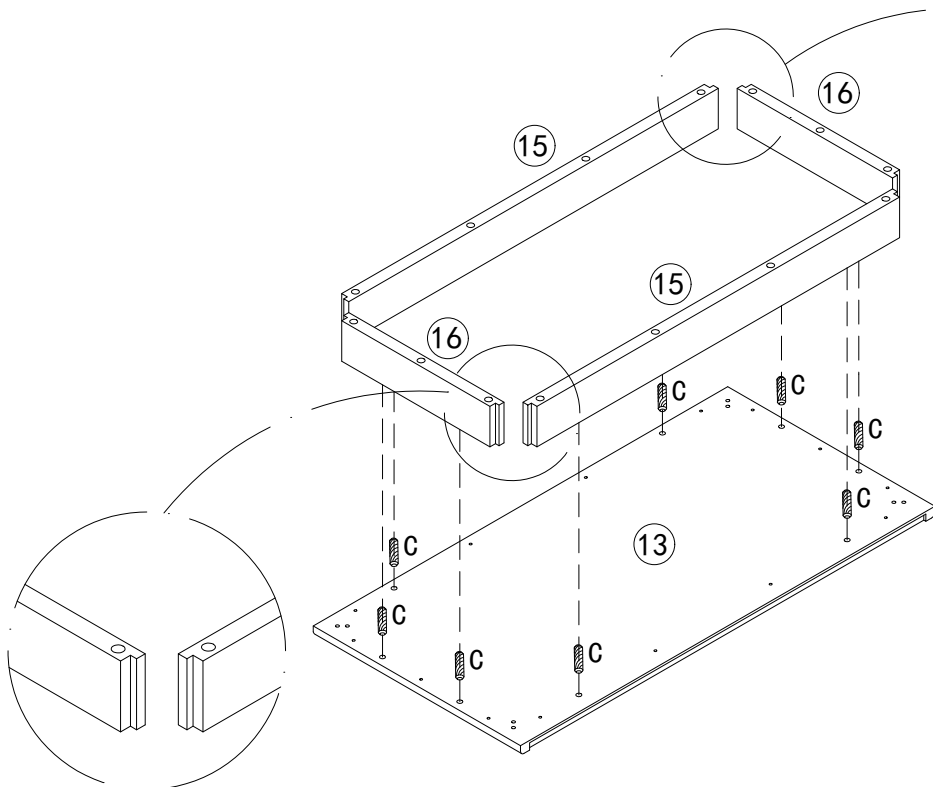
10



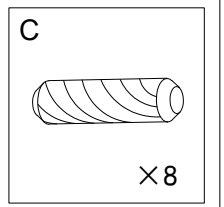
11



12

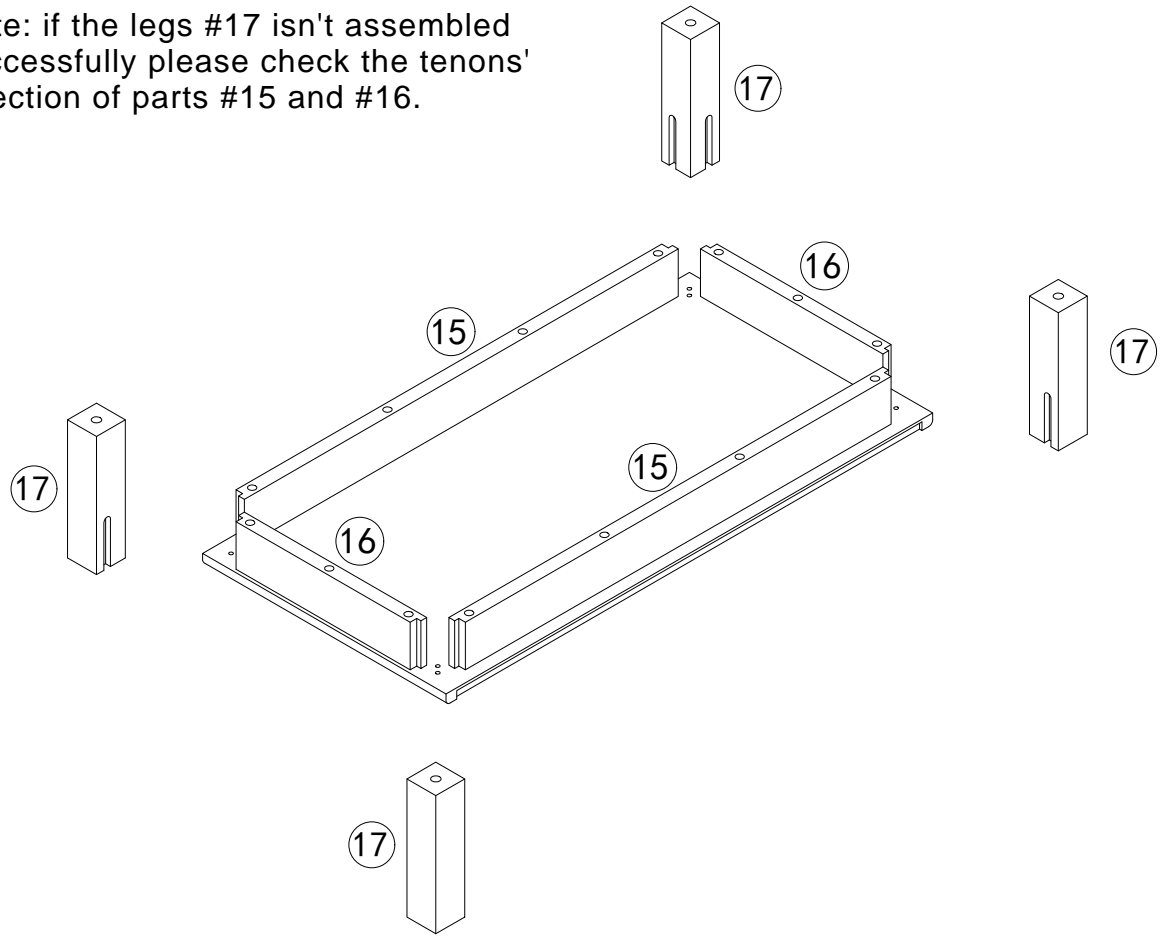


Note: please pay attention to the tenons' direction of the parts #15 and #16.

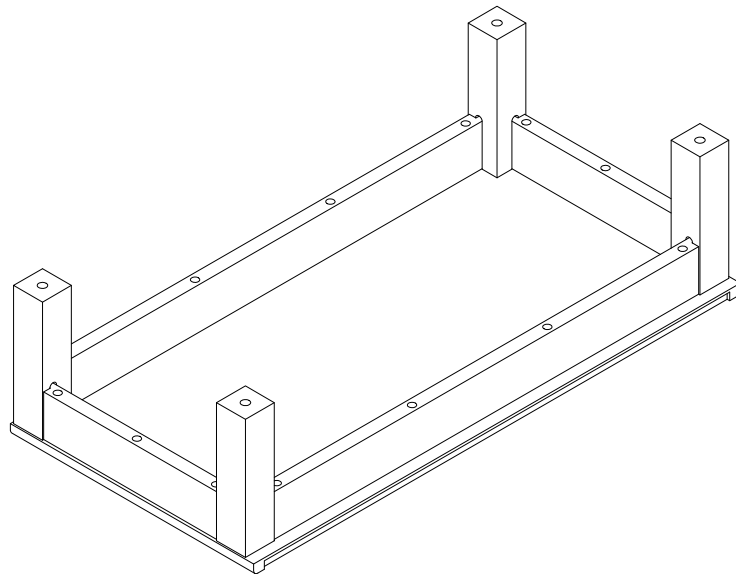


13

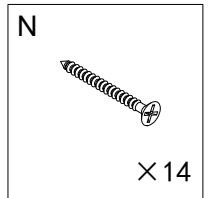
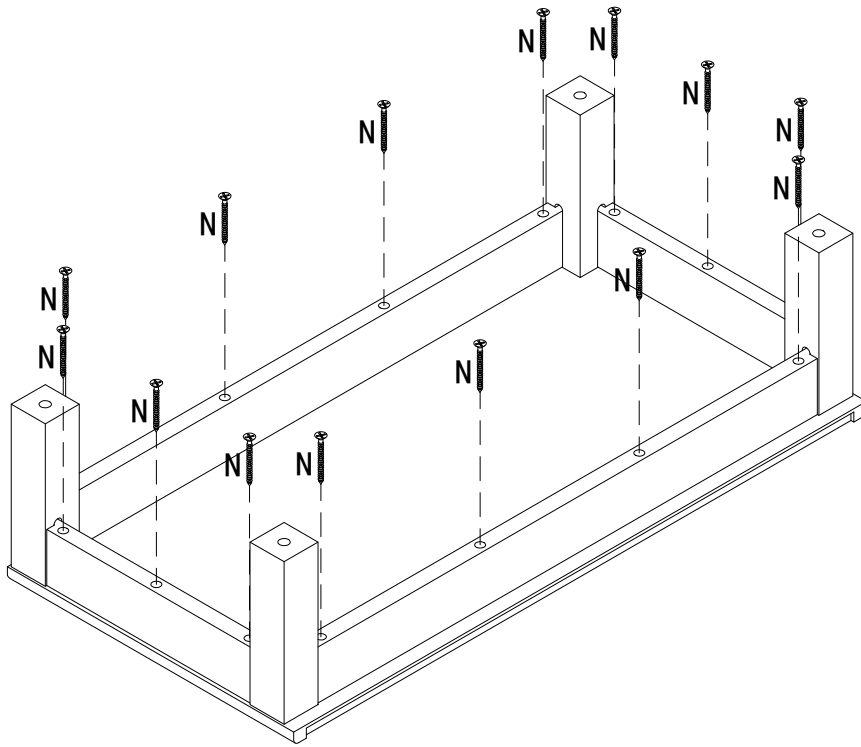
Note: if the legs #17 isn't assembled successfully please check the tenons' direction of parts #15 and #16.



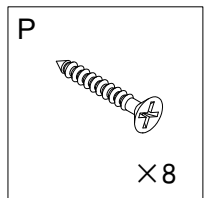
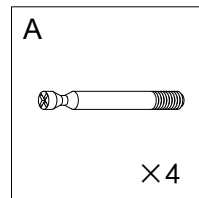
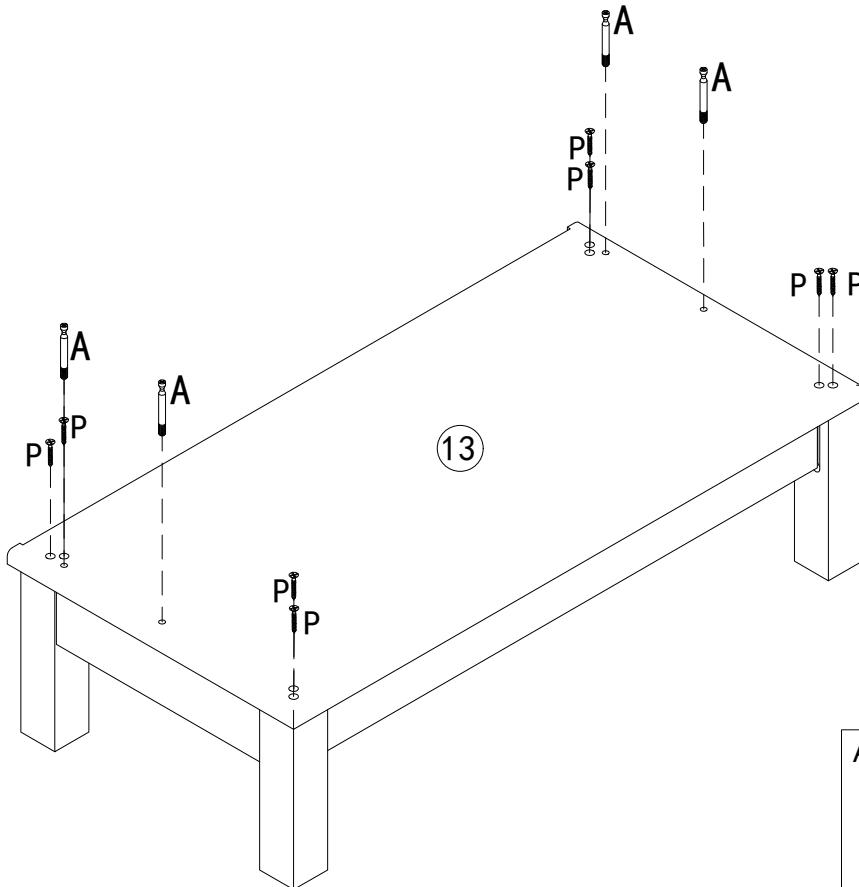
14



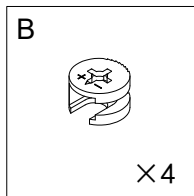
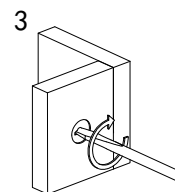
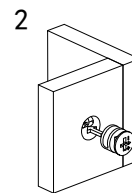
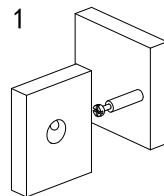
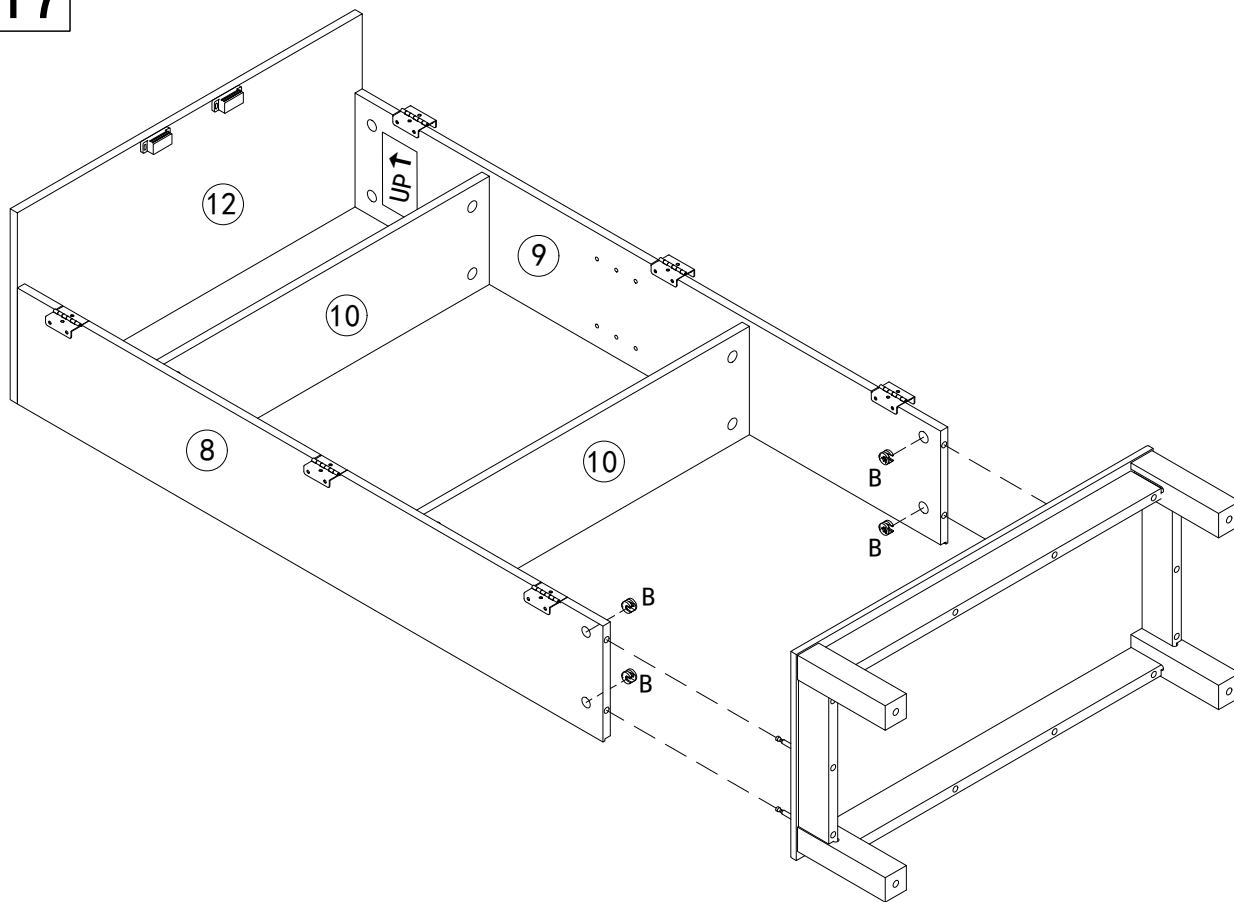
15



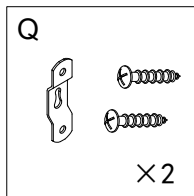
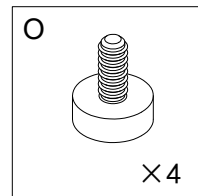
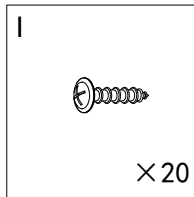
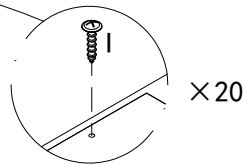
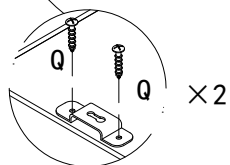
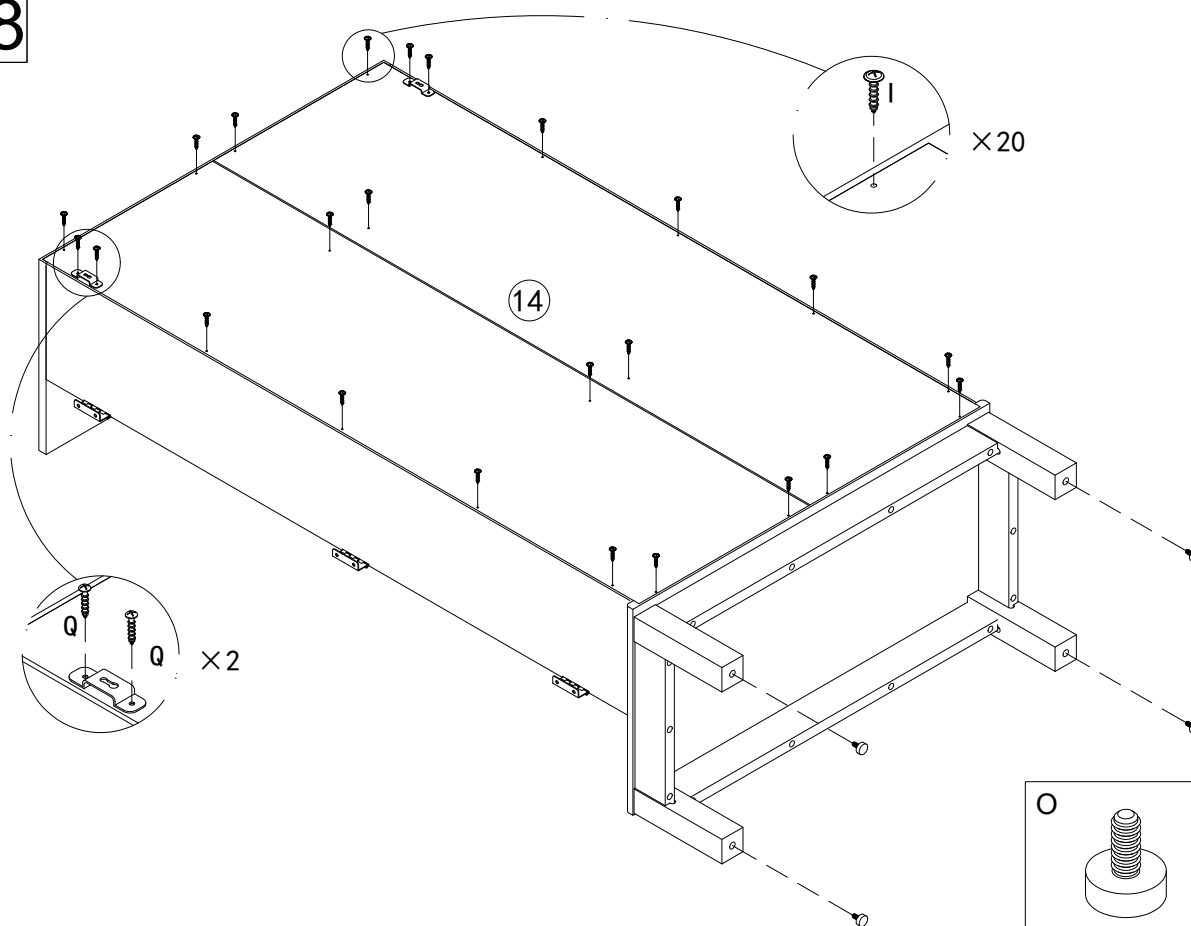
16



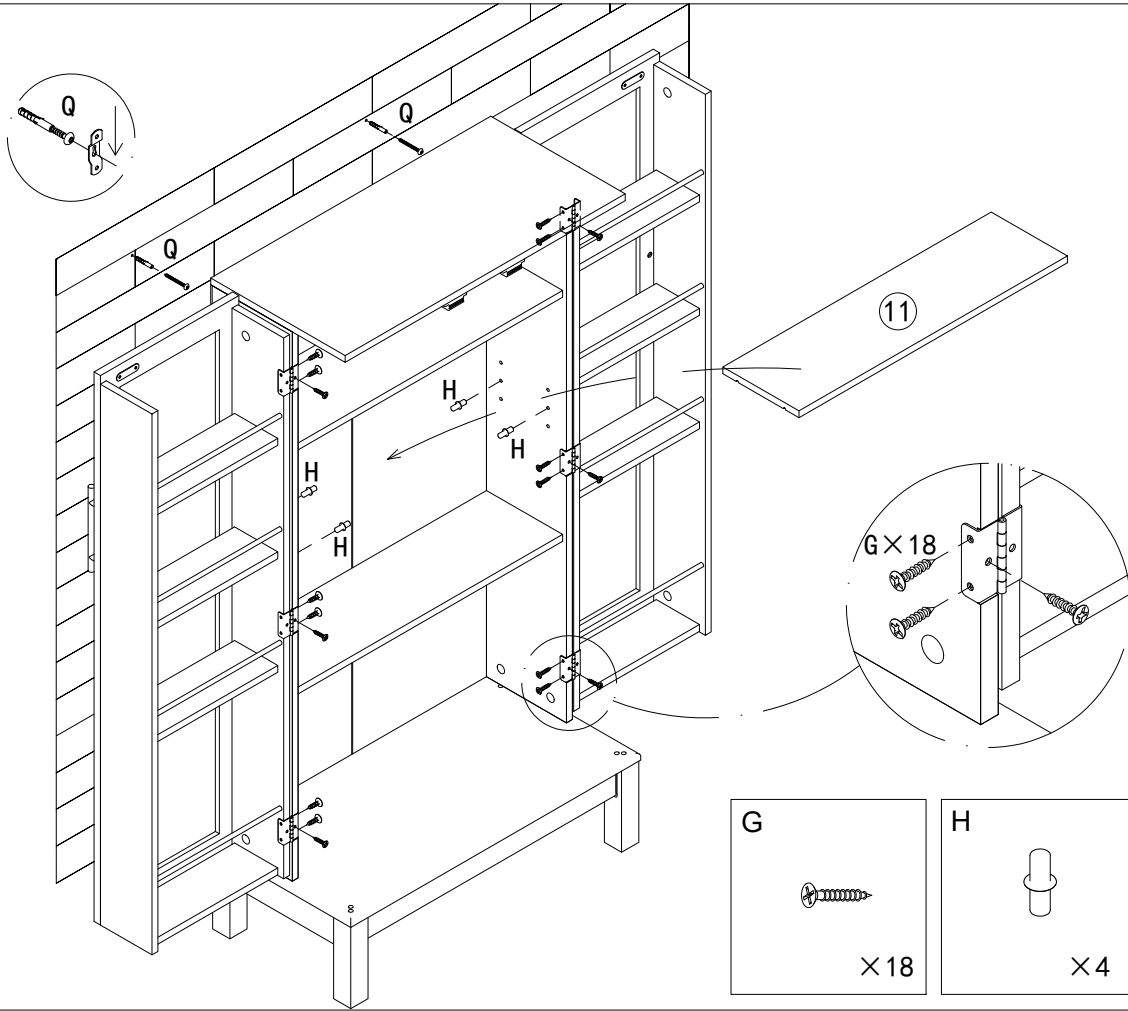
17



18



19



20

