

ASSEMBLY INSTRUCTIONS



END TABLE

ASSEMBLY INSTRUCTIONS

ASSEMBLY TIPS:

1. Remove hardware from box and sort by size.
2. Please check to see that all hardware and parts are present prior to start of assembly.
3. Please follow attached instructions in the same sequence as numbered to assure fast & easy assembly.



WARNING!

1. Don't attempt to repair or modify parts that are broken or defective. Please contact the store immediately.
2. This product is for home use only and not intended for commercial establishments.

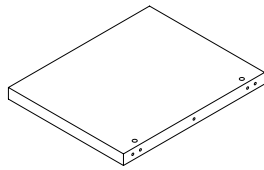


ASSEMBLY TIME

30 MINUTES

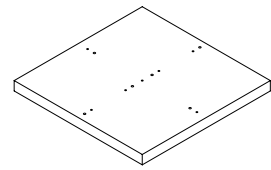
PARTS IDENTIFICATION

A MIDDLE PANEL



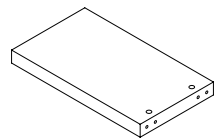
1 PC

C BOTTOM PANEL



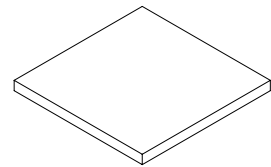
1 PC

B SIDE PANEL



2 PCS

D TOP PANEL



1 PC

HARDWARE IDENTIFICATION

Z

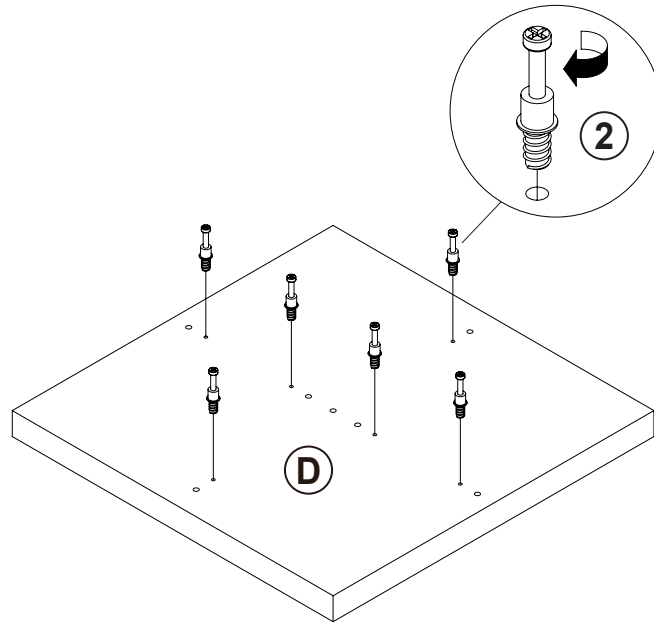
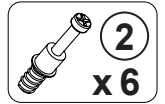
NO	DESCRIPTION	FIGURE	Q'TY	NO	DESCRIPTION	FIGURE	Q'TY
1	WOODEN DOWEL Ø8x30mm		13 PCS	4	BOLT Ø9.5x55mm SR		7 PCS
2	CAM BOLT Ø7x35.5mm SR		6 PCS	5	FOOT Ø35xH19mm		4 PCS
3	CAM LOCK Ø15x12mm SR		6 PCS	6	STICKER Ø20mm		1 PC

Z5 not included in blister packaging.

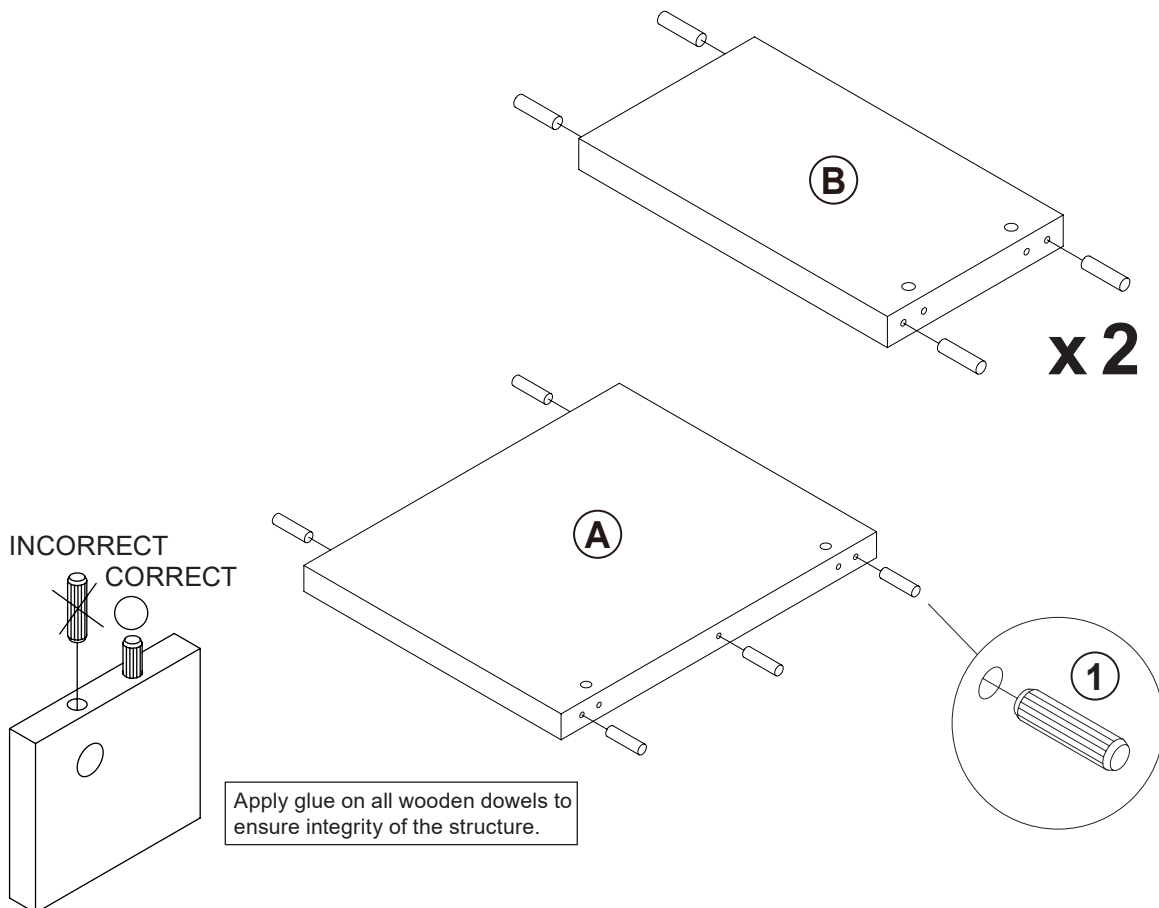
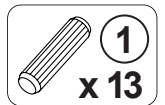
NOTE:

Phillips head screw driver is required in the assembly process; however, manufacturer does not provide this item.

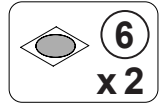
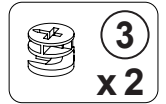
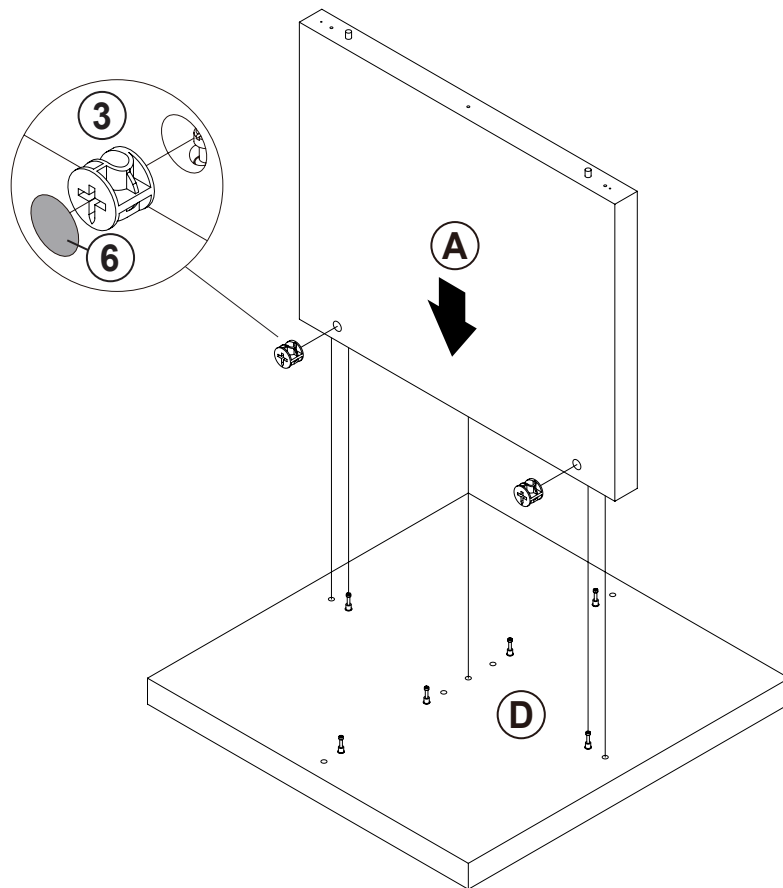
STEP 1



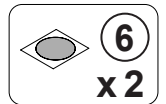
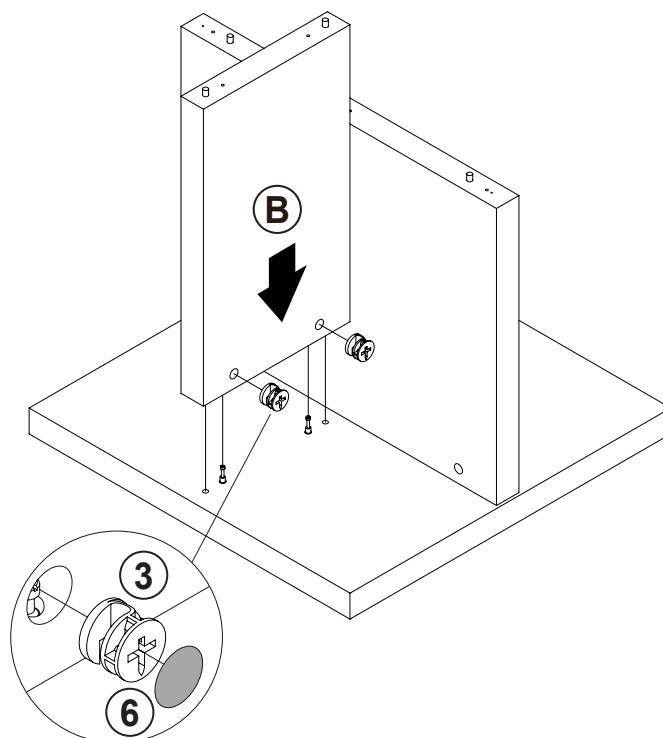
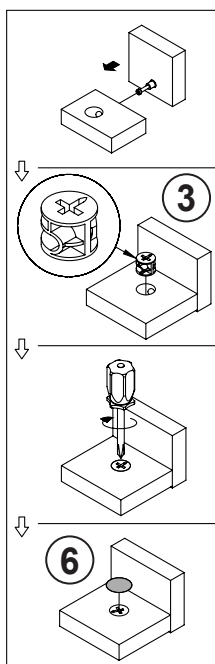
STEP 2



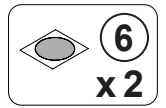
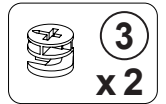
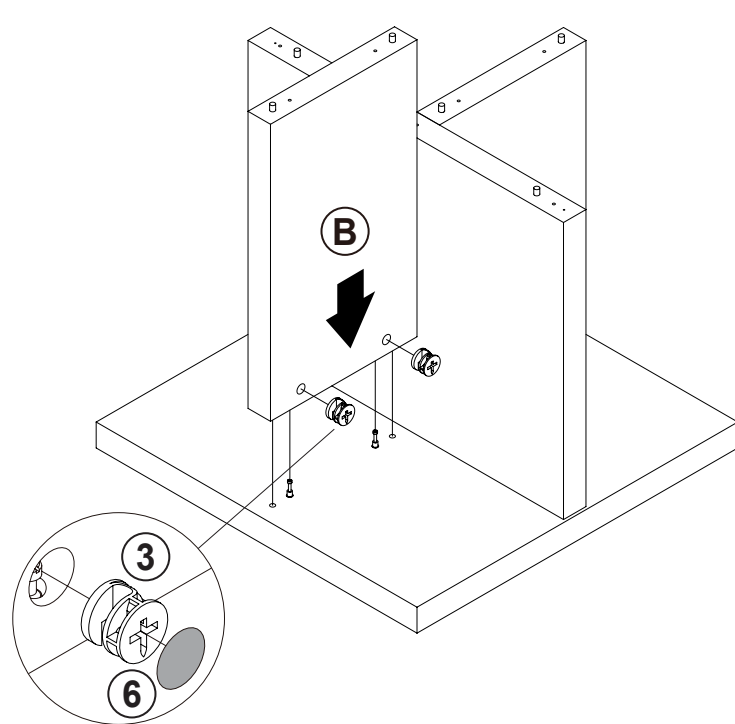
STEP 3



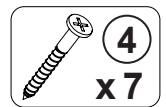
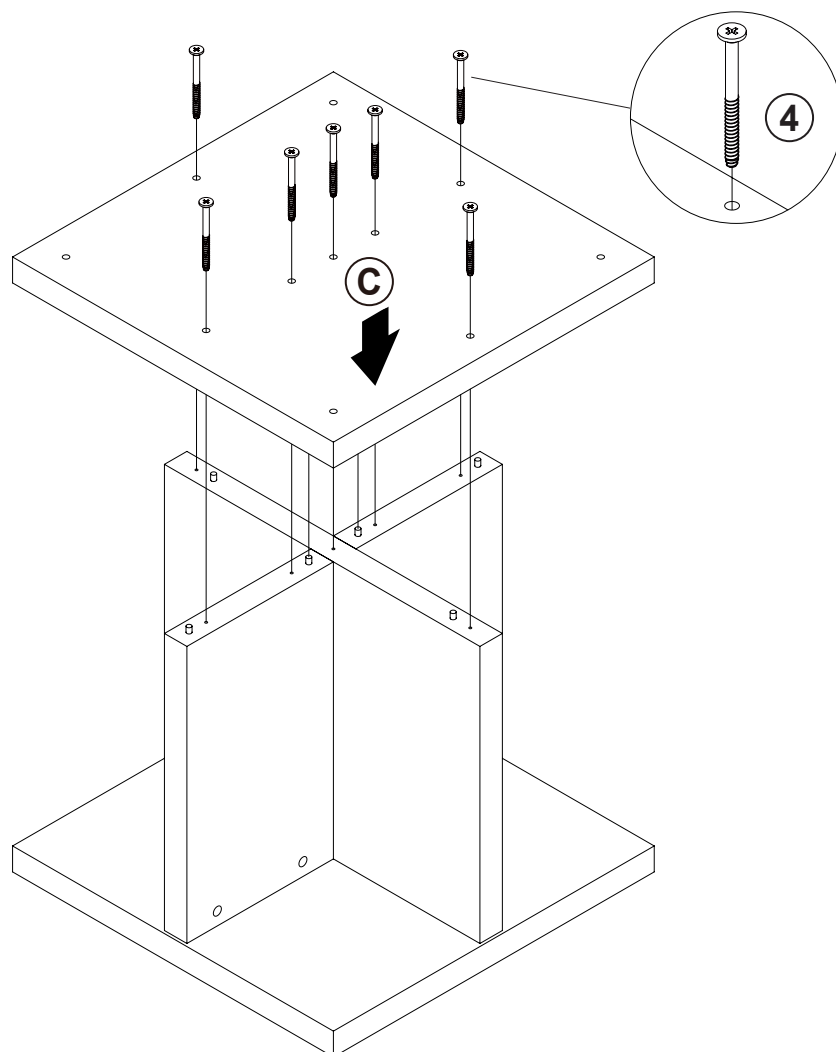
STEP 4



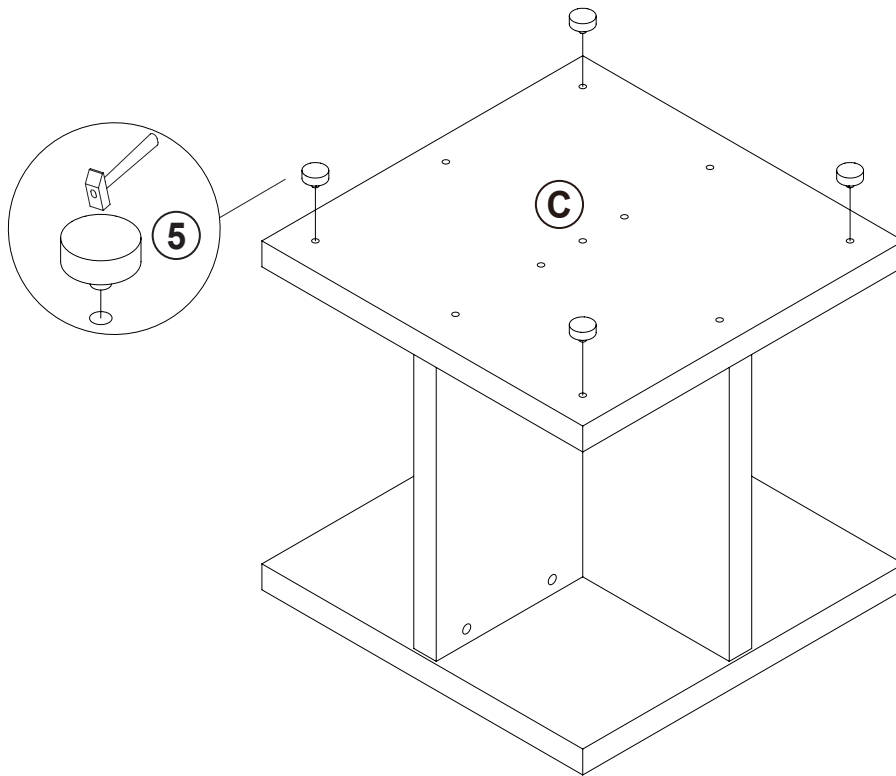
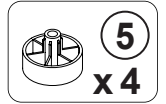
STEP 5



STEP 6

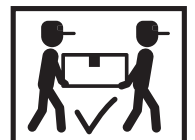
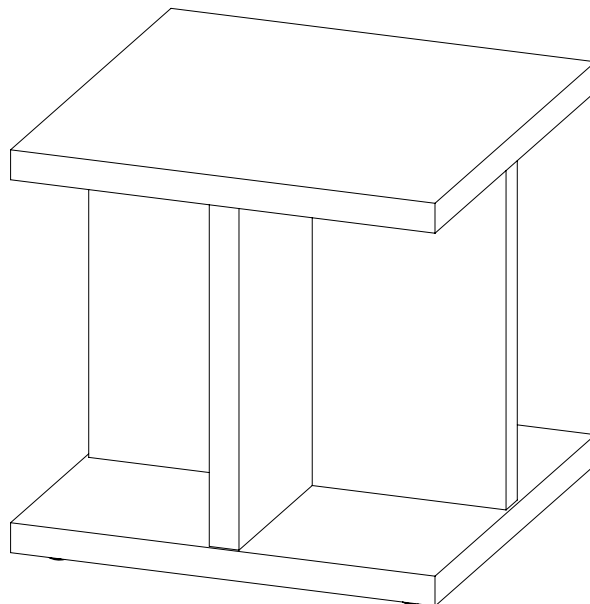


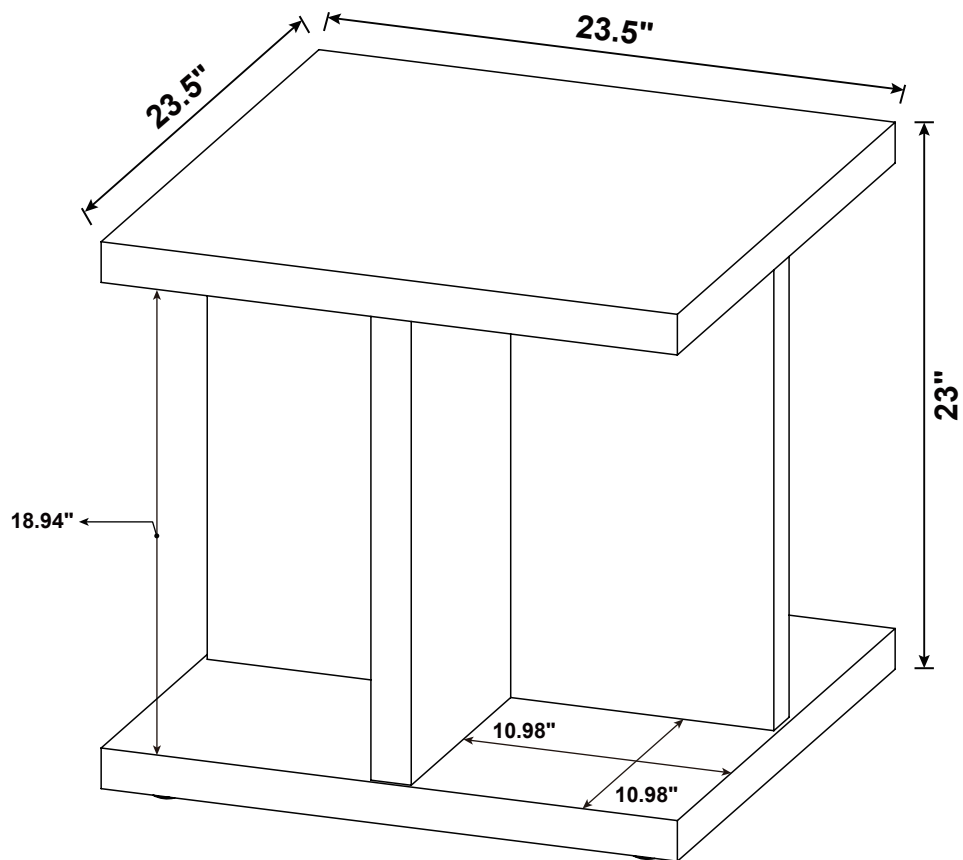
STEP 7



STEP 8

COMPLETE





Note : Dimension tolerance $\pm 5\%$