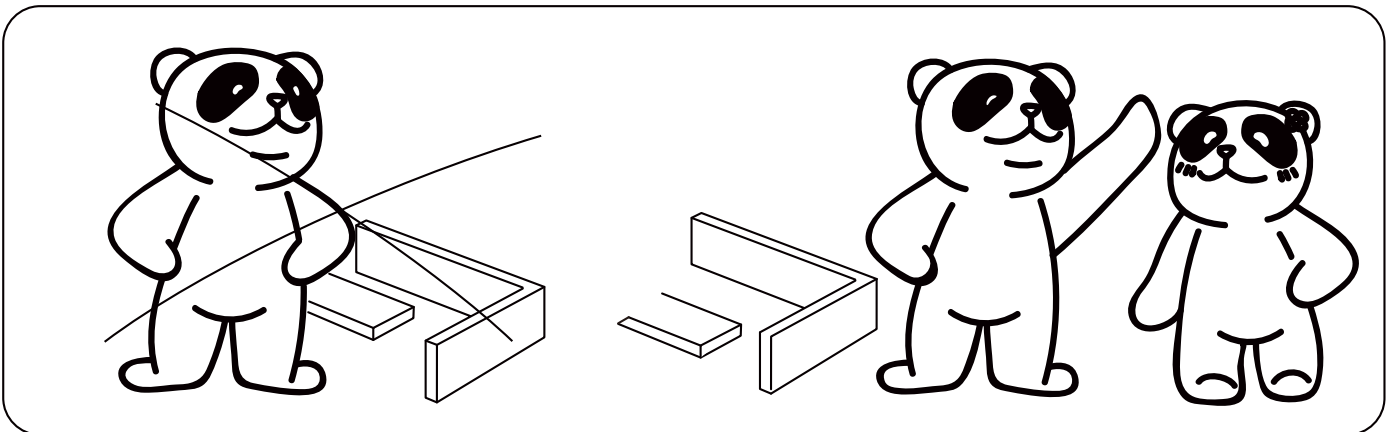
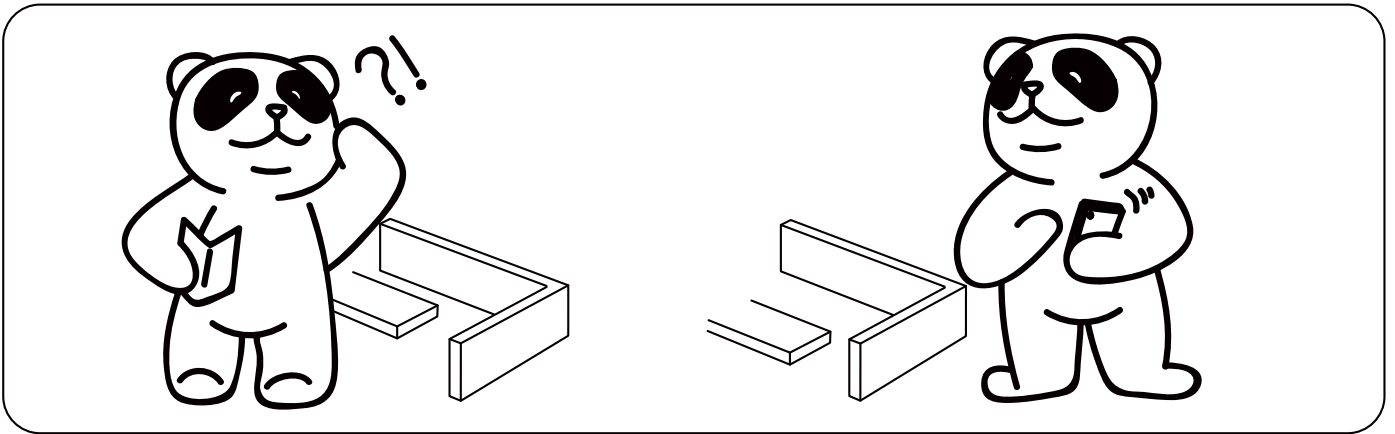
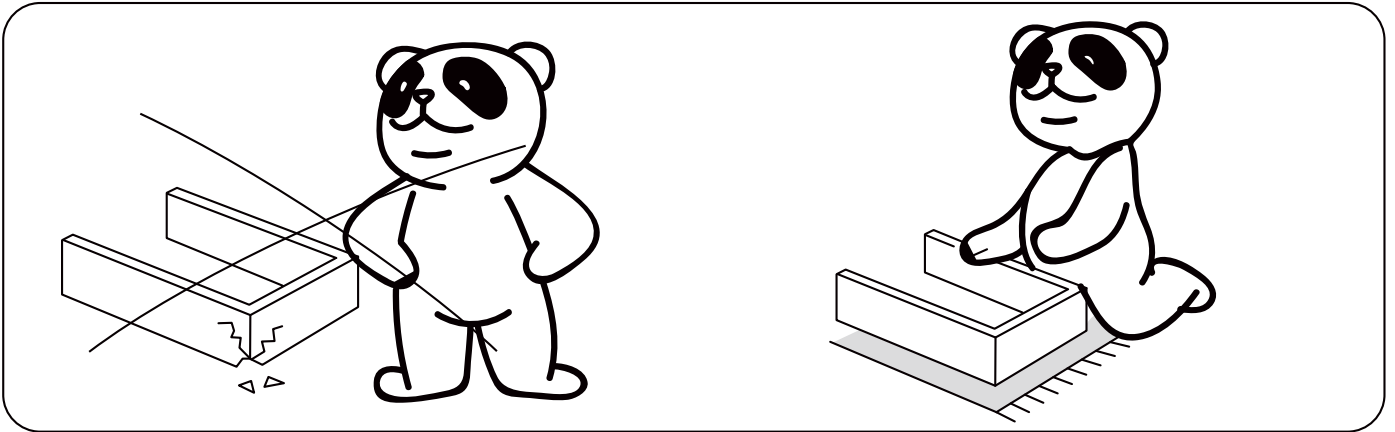
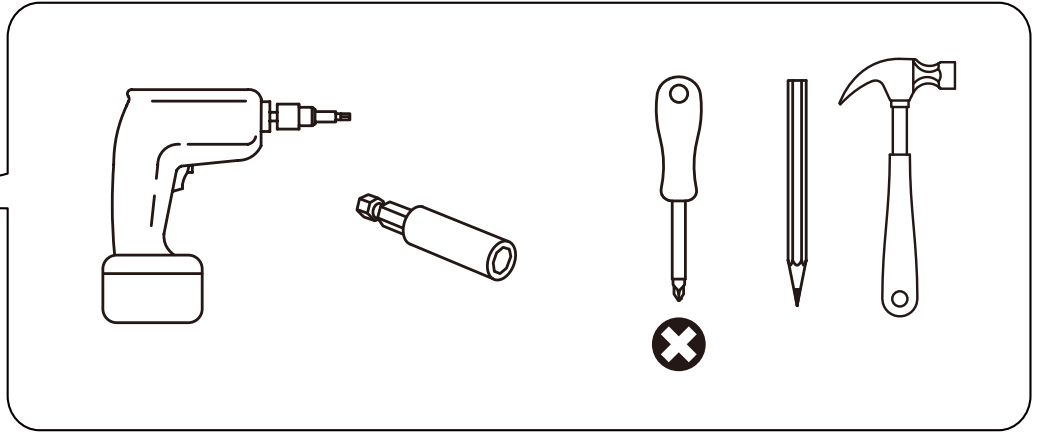


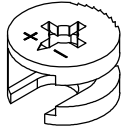
2 PERS.



Installation Parts



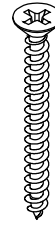
A
x44(+3)
Ø6x35mm



B
x44(+3)
Ø15x10mm



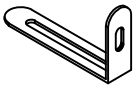
C
x24(+2)
Ø6x30mm



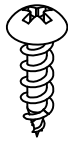
D
x42(+3)
Ø4x35mm



E
x96(+4)
Ø3.5x12mm



F
x2



G
x4
Ø4x12mm

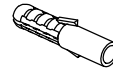


I-1



I-2

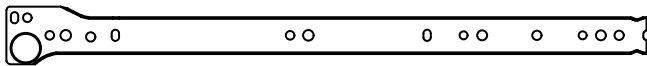
I
x18(+1)
Ø3x16mm



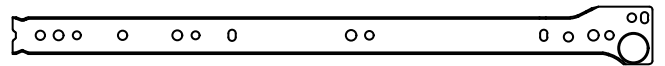
J
x2
Ø6x30mm



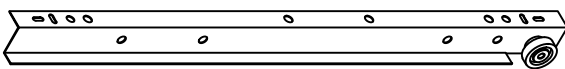
K
x16
Ø5x40mm



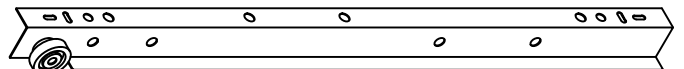
CL
x8
L350mm



CR
x8
L350mm

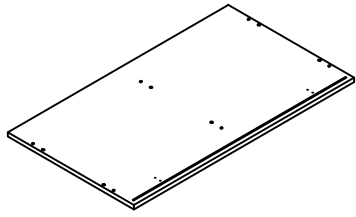


DL
x8
L350mm

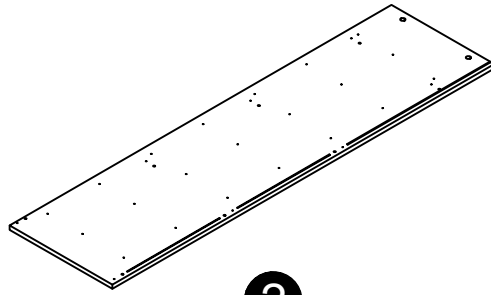


DR
x8
L350mm

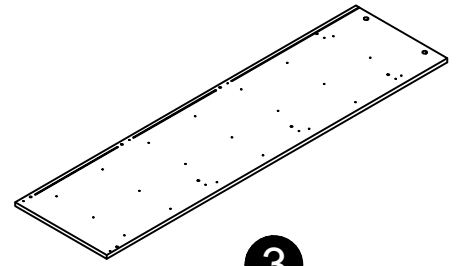
Mounting frame



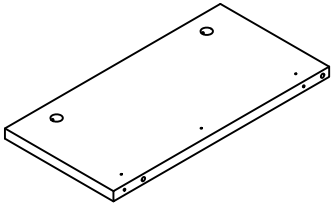
1
x1



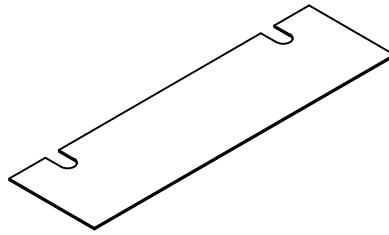
2
x1



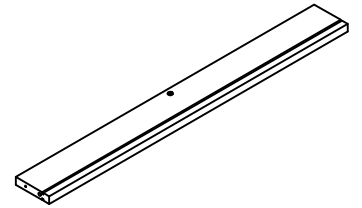
3
x1



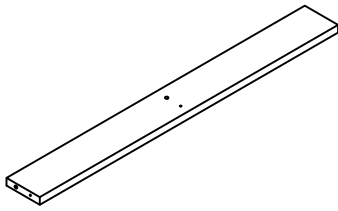
4
x1



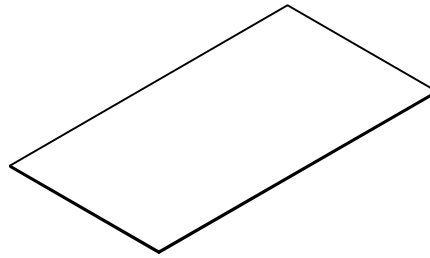
5
x1



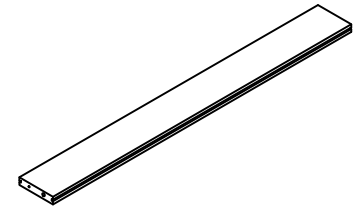
6
x1



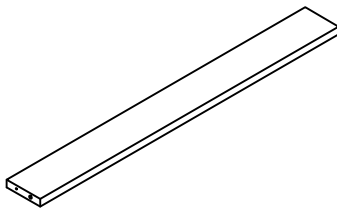
7
x1



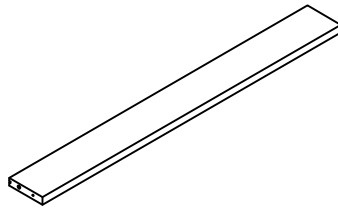
8
x3



9
x2

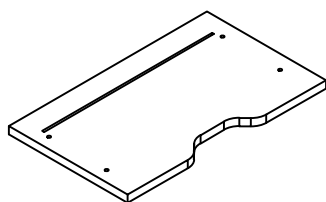


10
x3

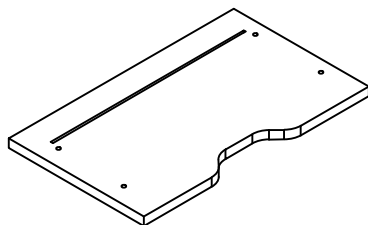


11
x1

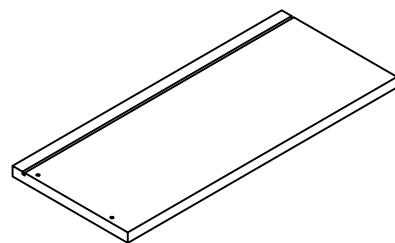
Drawer mounting frame



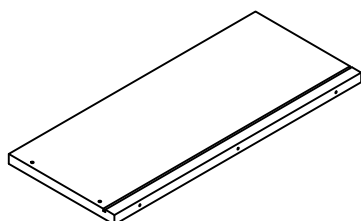
12
x1



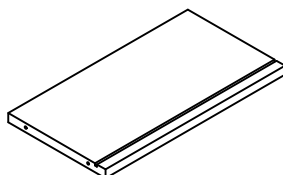
13
x1



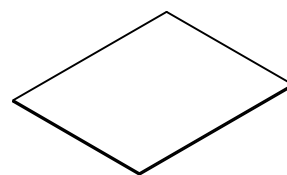
14
x8



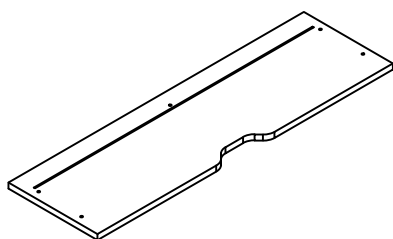
15
x8



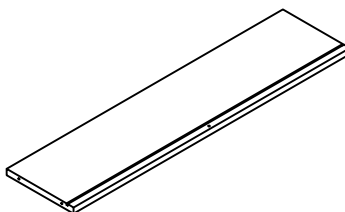
16
x2



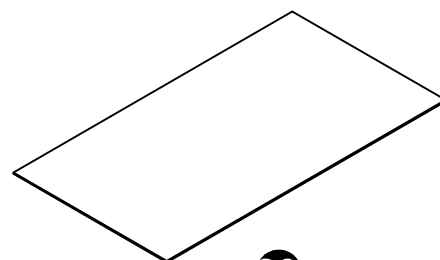
17
x2



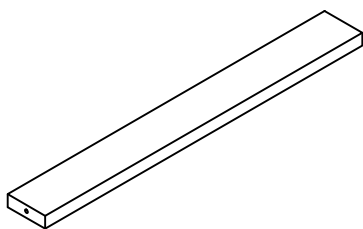
18
x6



19
x6



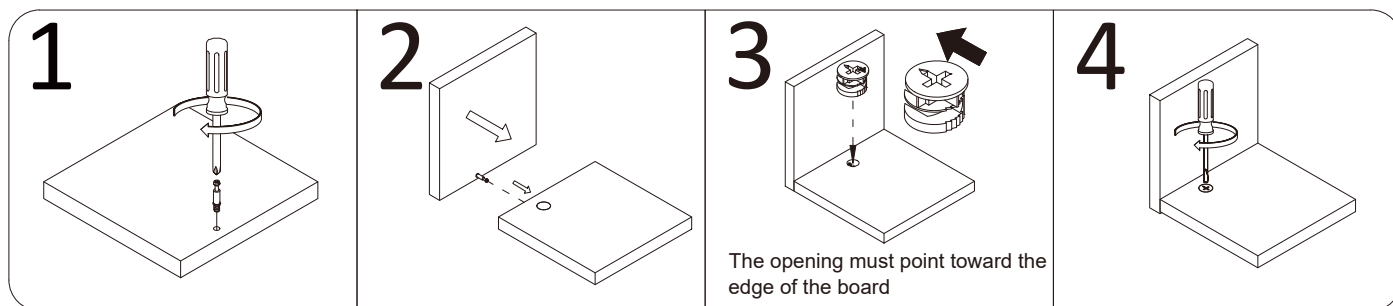
20
x6

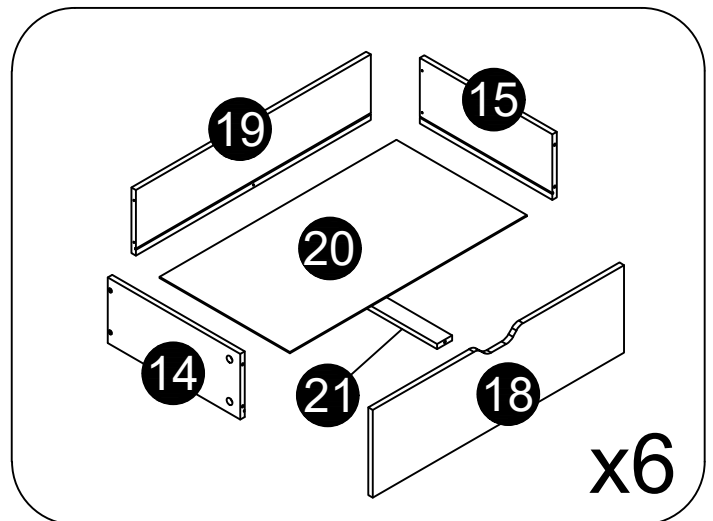
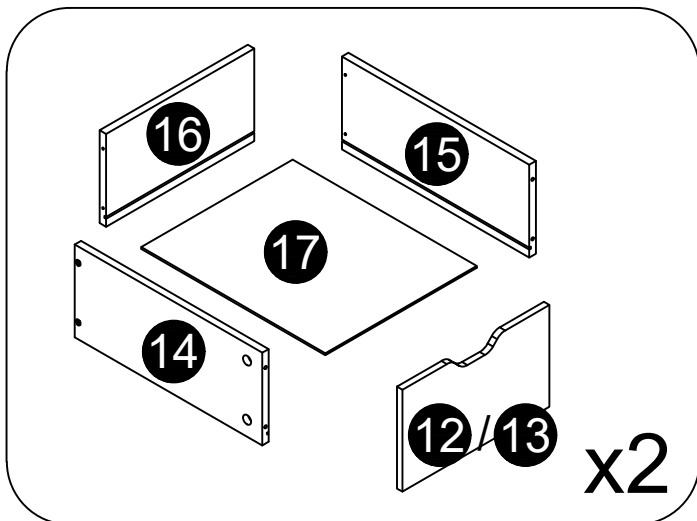
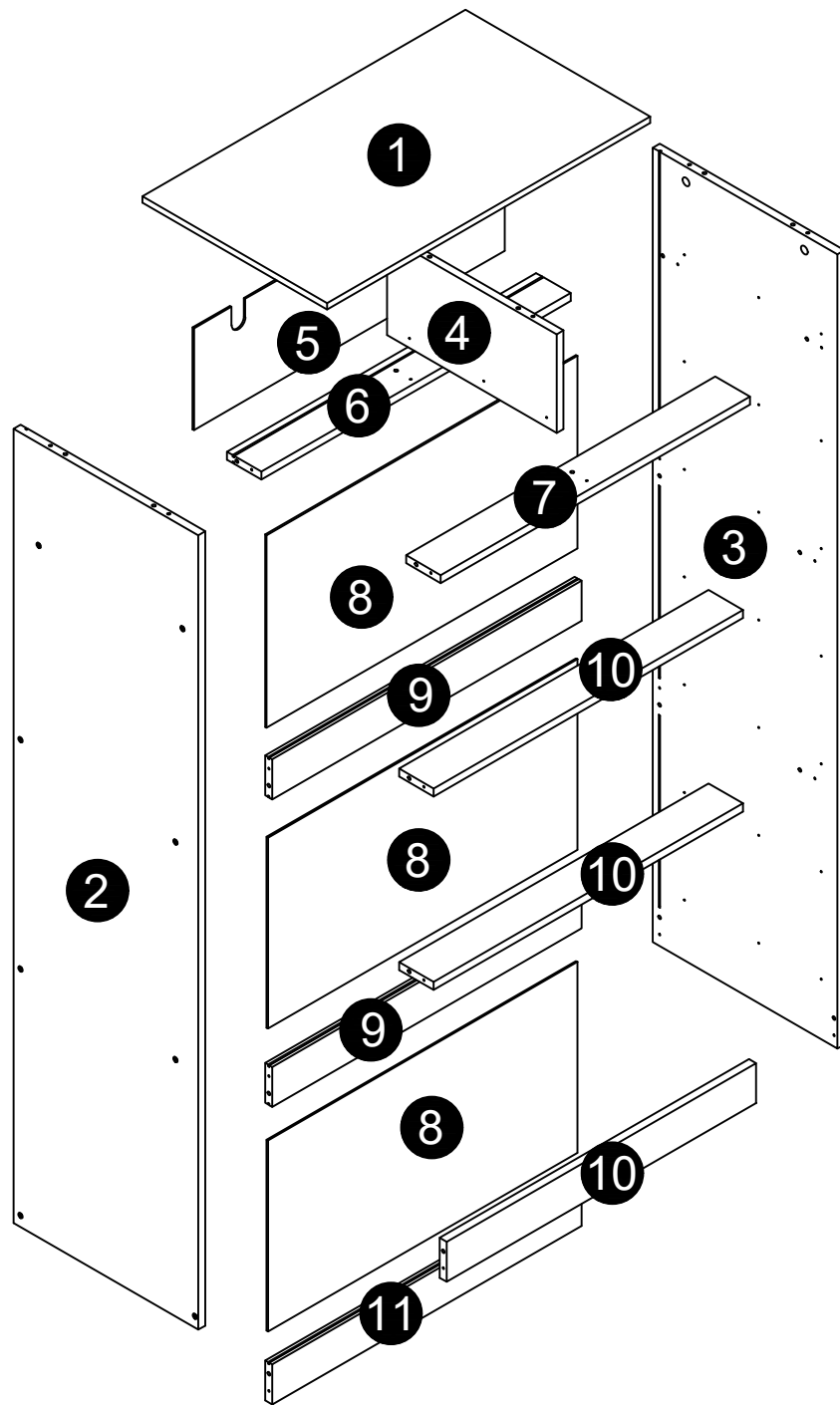



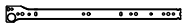

21
x6

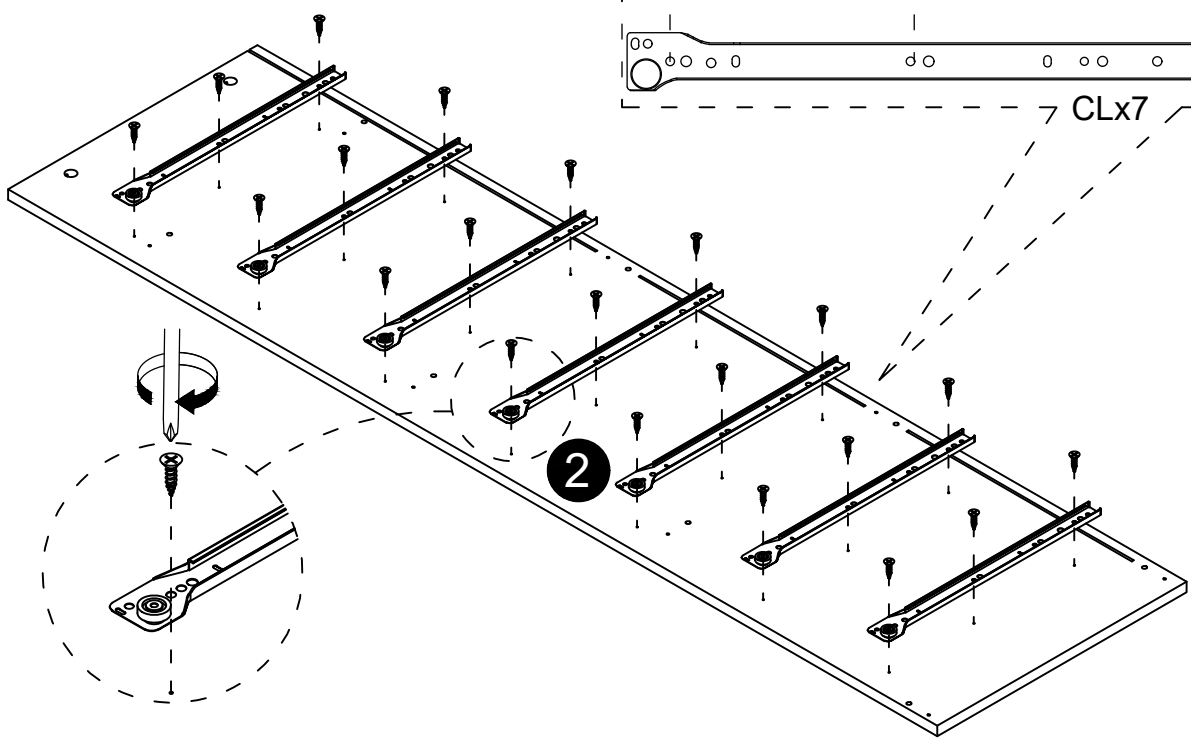
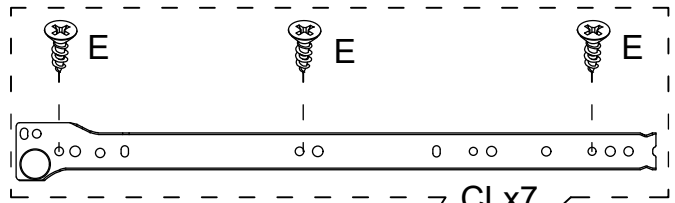
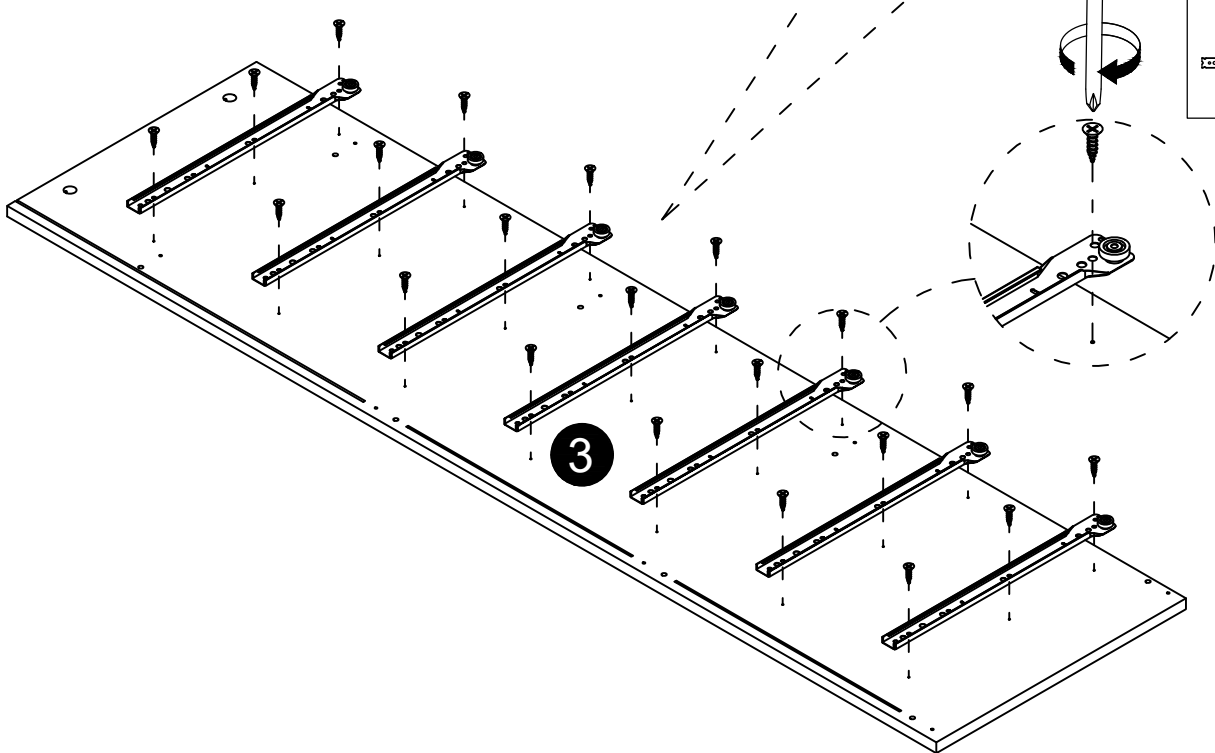
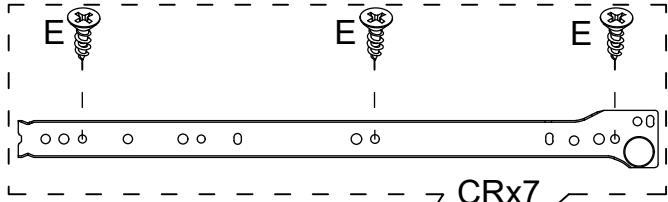
Cam Lock Fastening System

Insert the cam bolt into the hole first, then insert the cam lock and lock it.

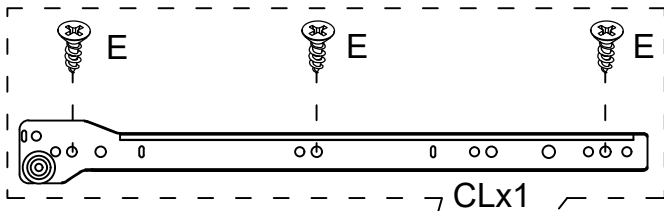





E	x42
	
CL	x7
	
CR	x7
	



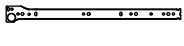
2



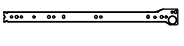
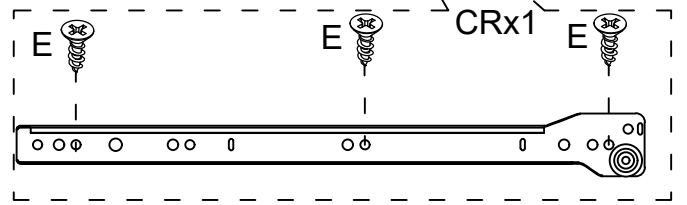
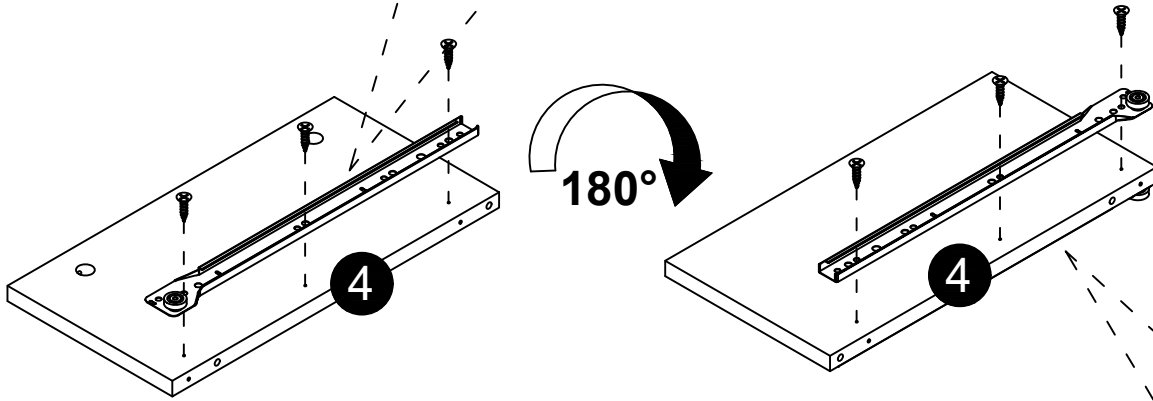
E	x6
---	----



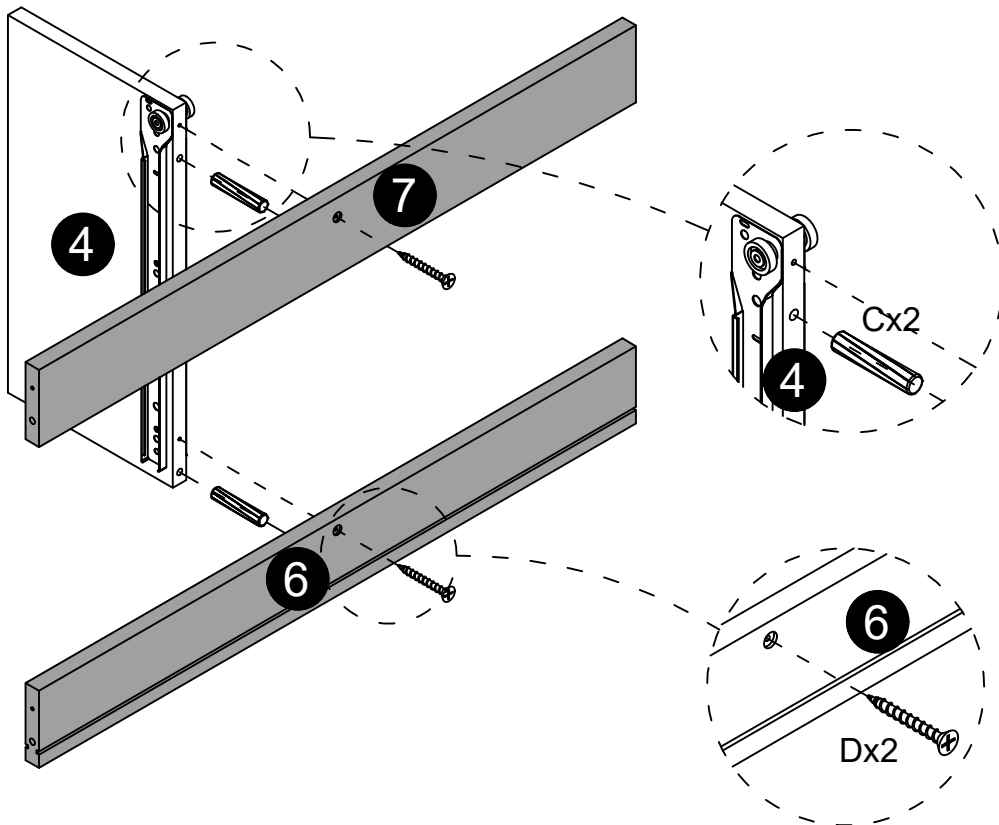
CL	x1
----	----




CR	x1
----	----

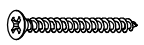
3





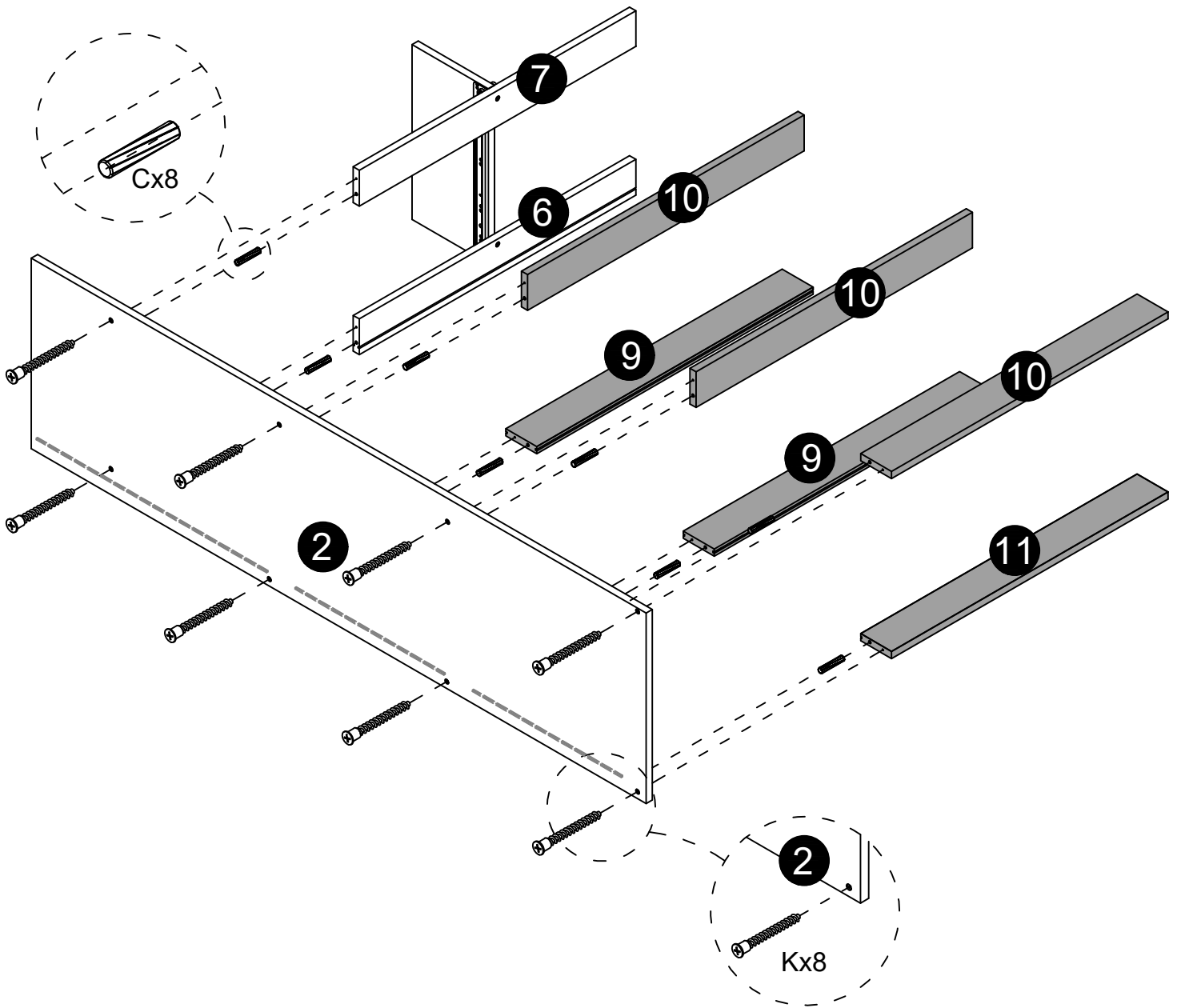
C	x2
---	----

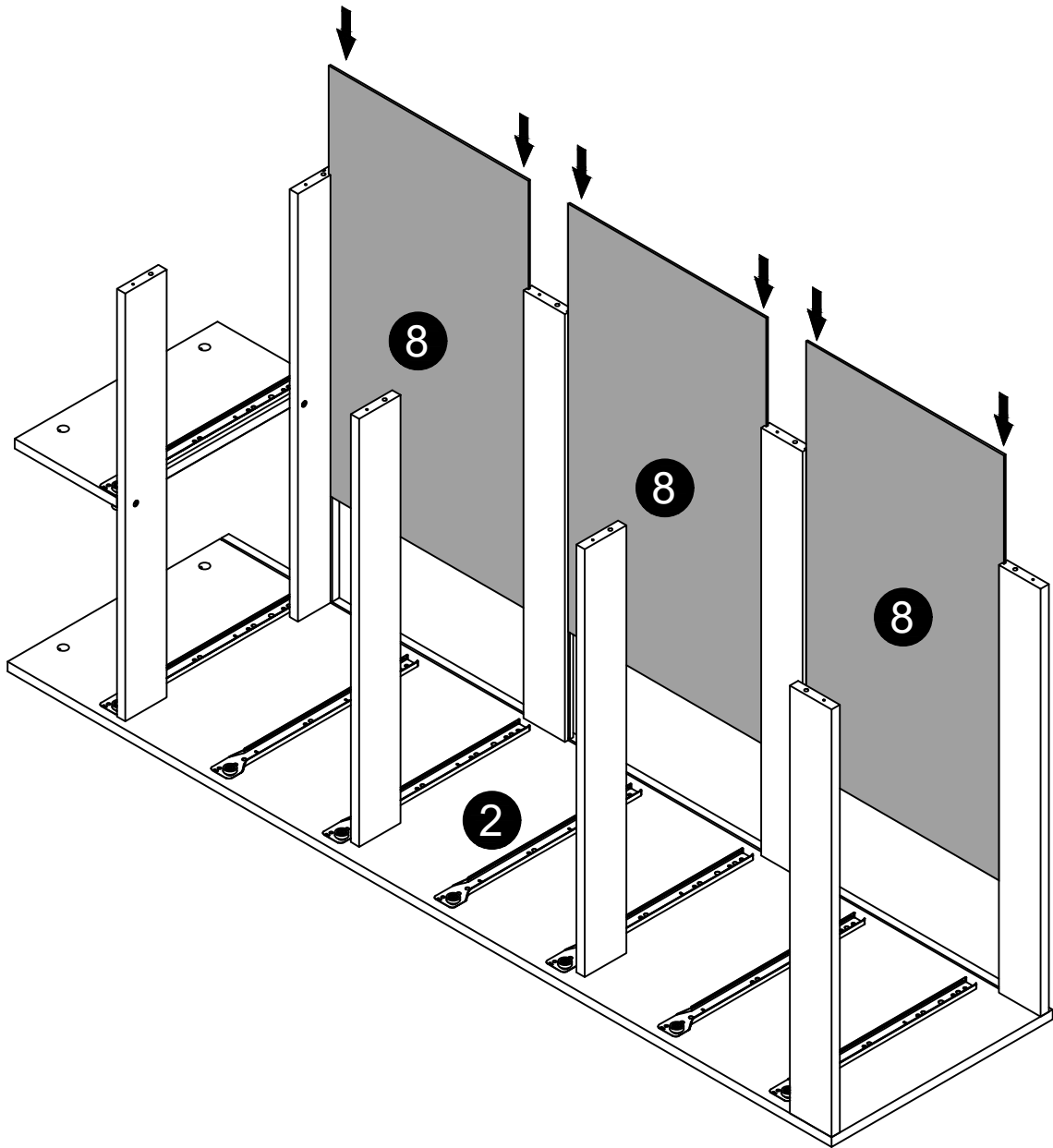



D	x2
---	----

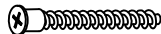


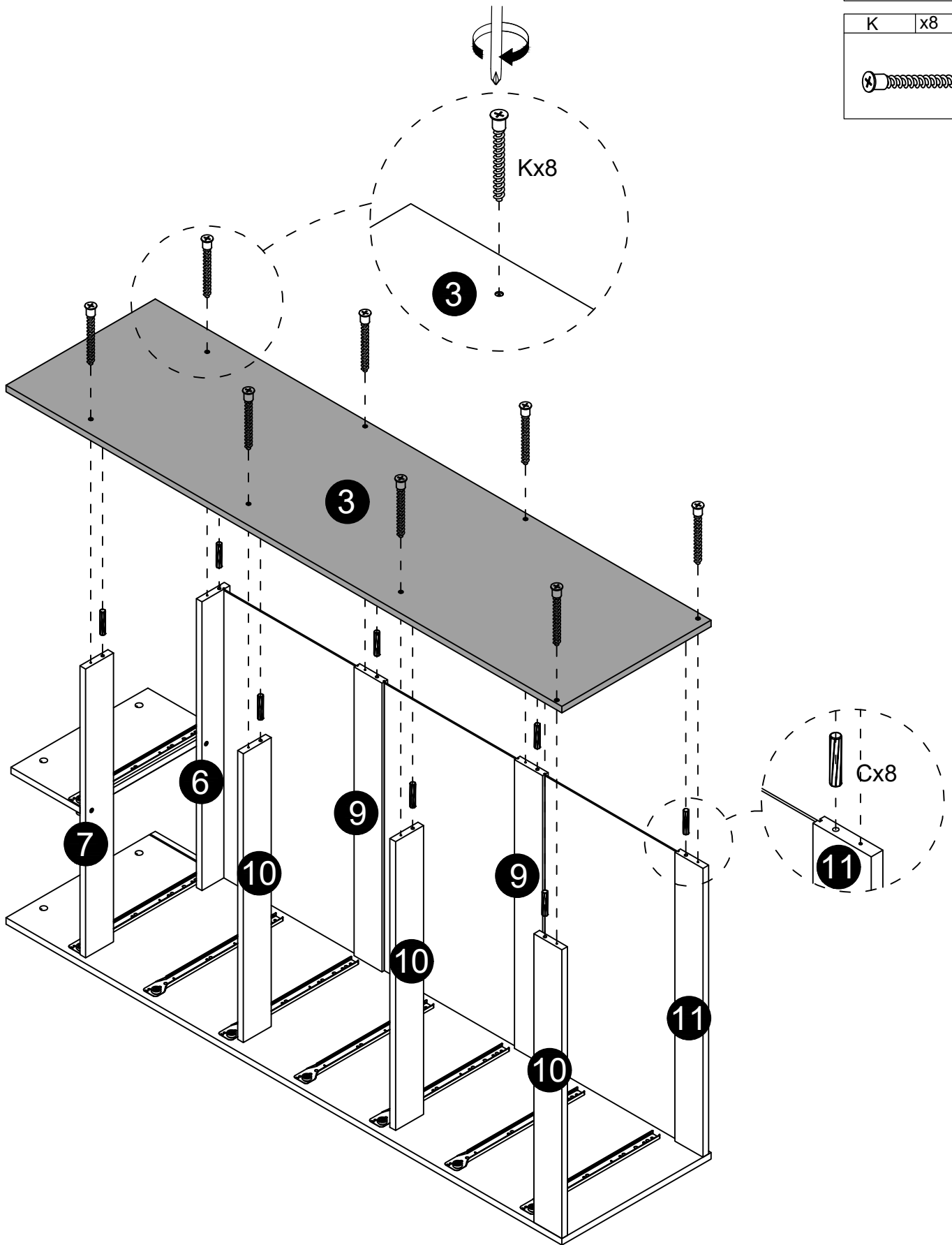
C	x8
	
K	x8
	



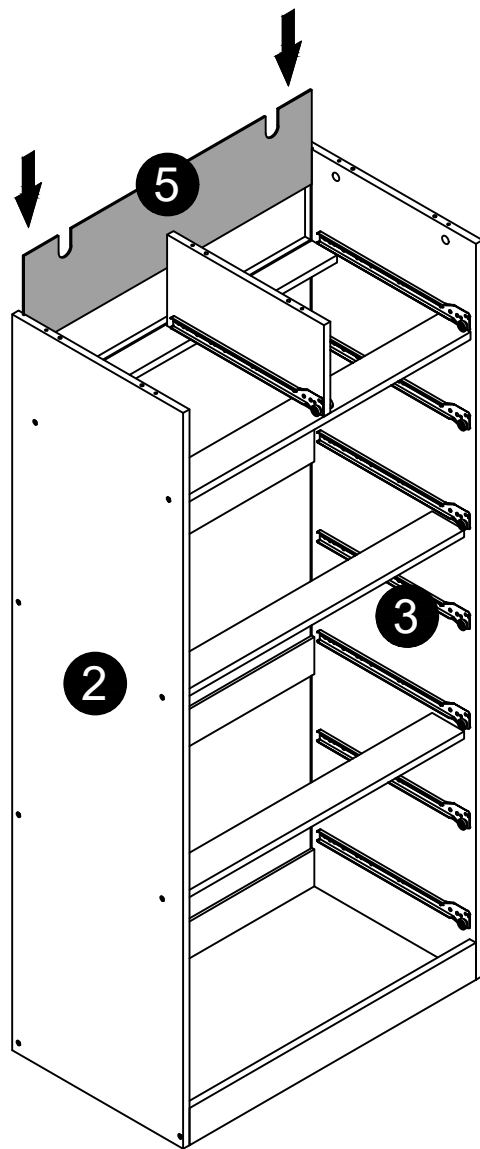


C	x8
	

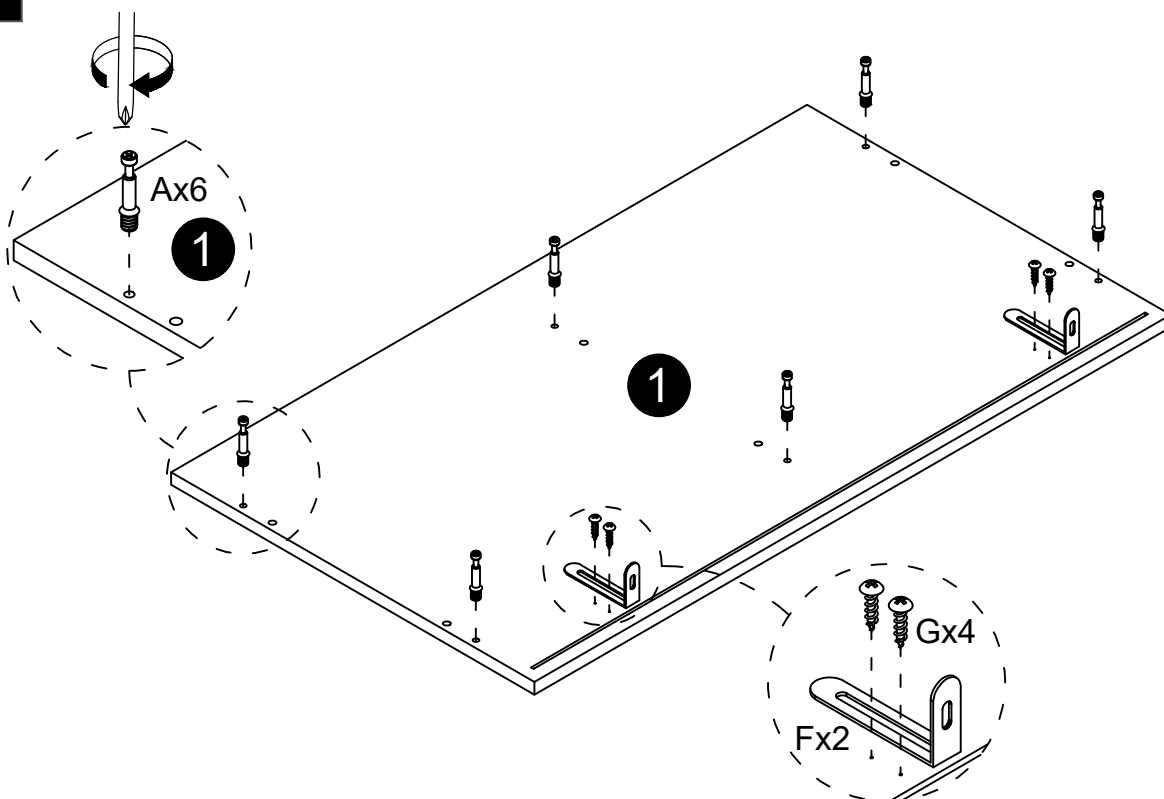
K	x8
	

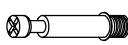
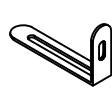



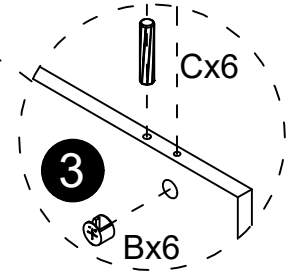
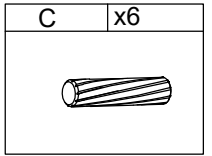
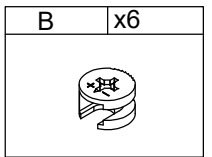
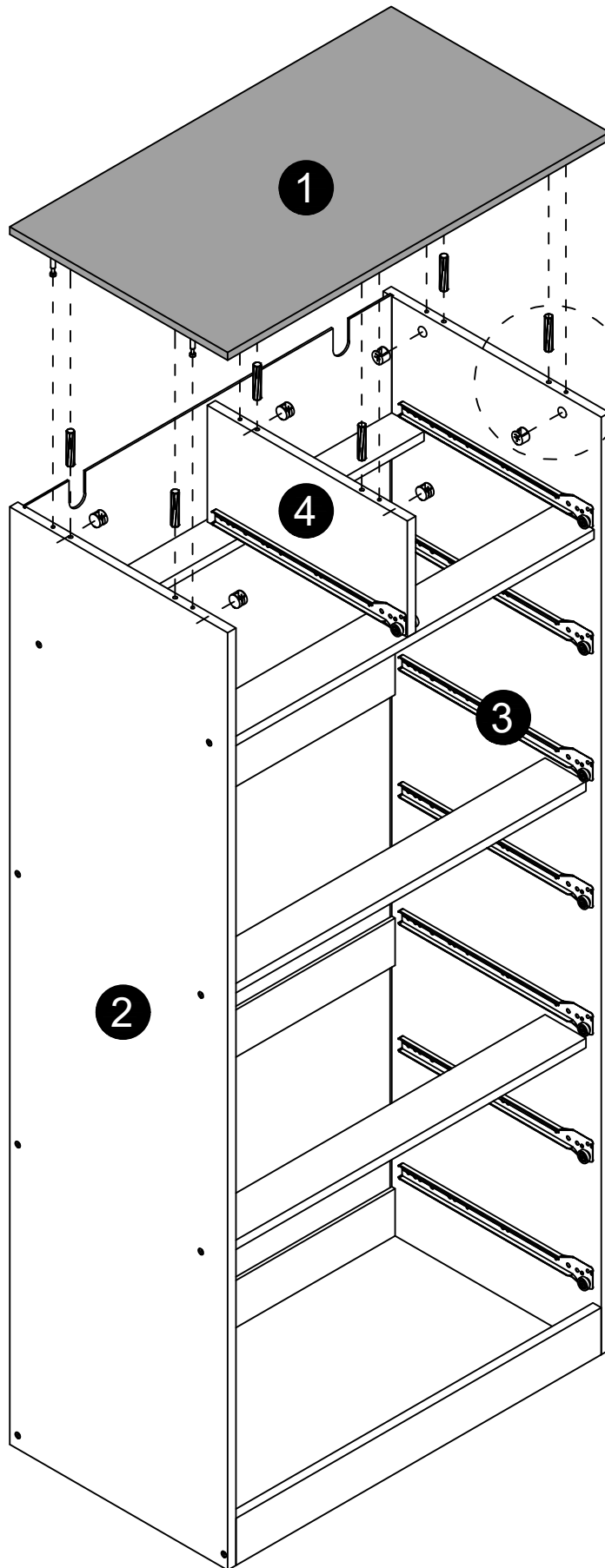
7





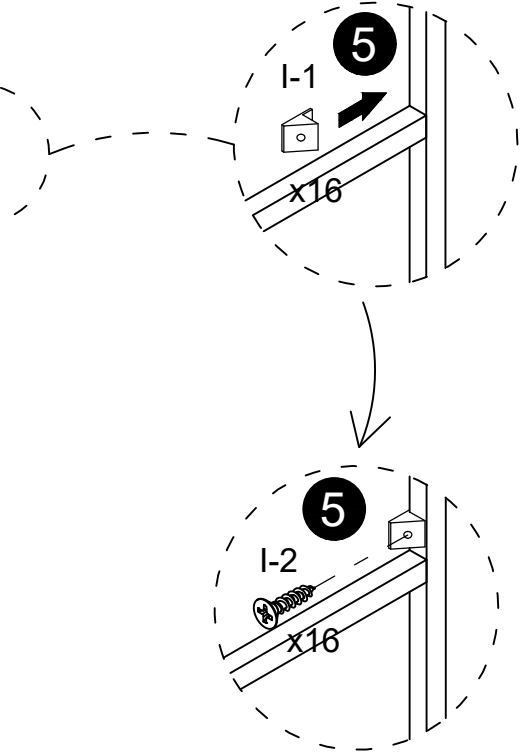
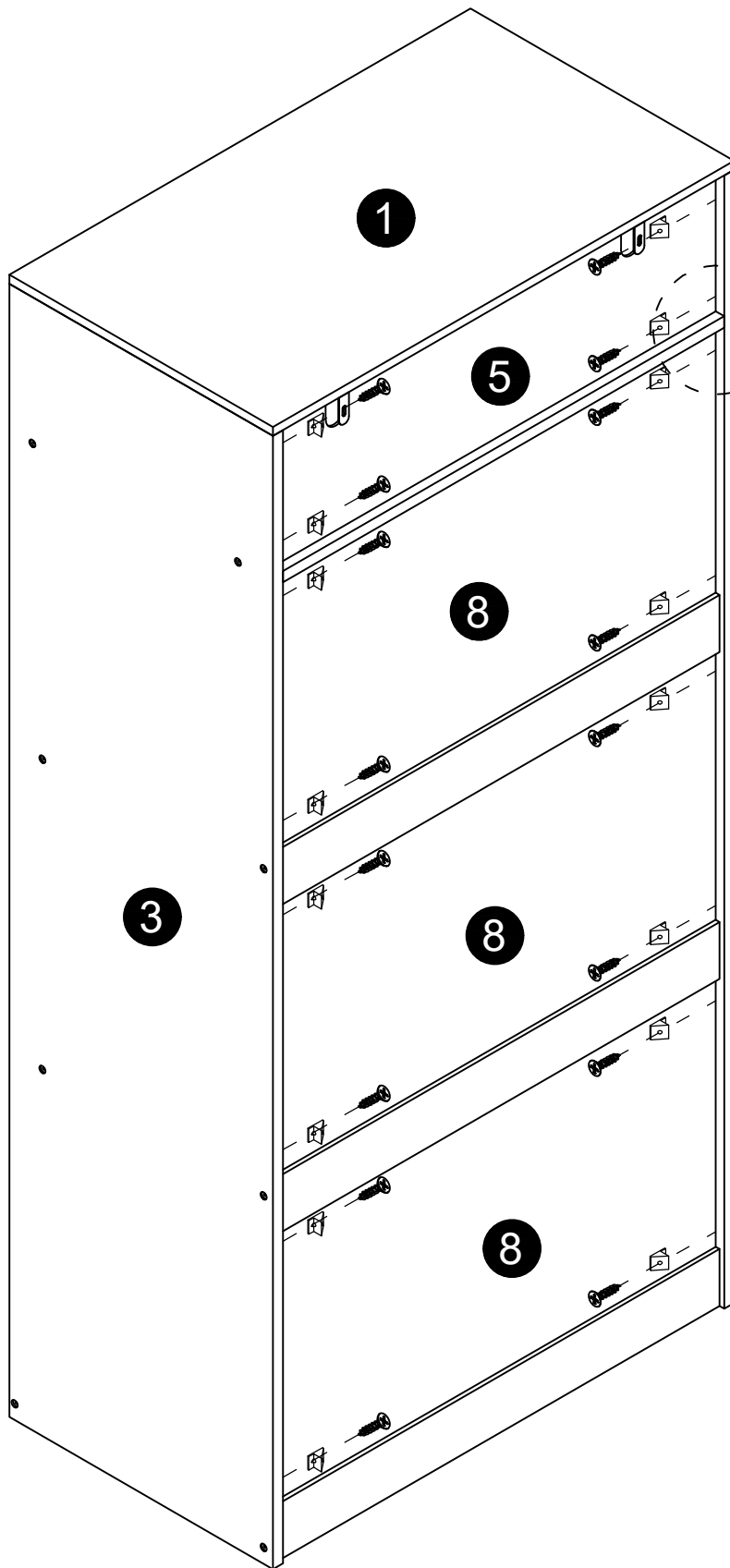
8




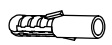
A	x6
	
F	x2
	
G	x4
	

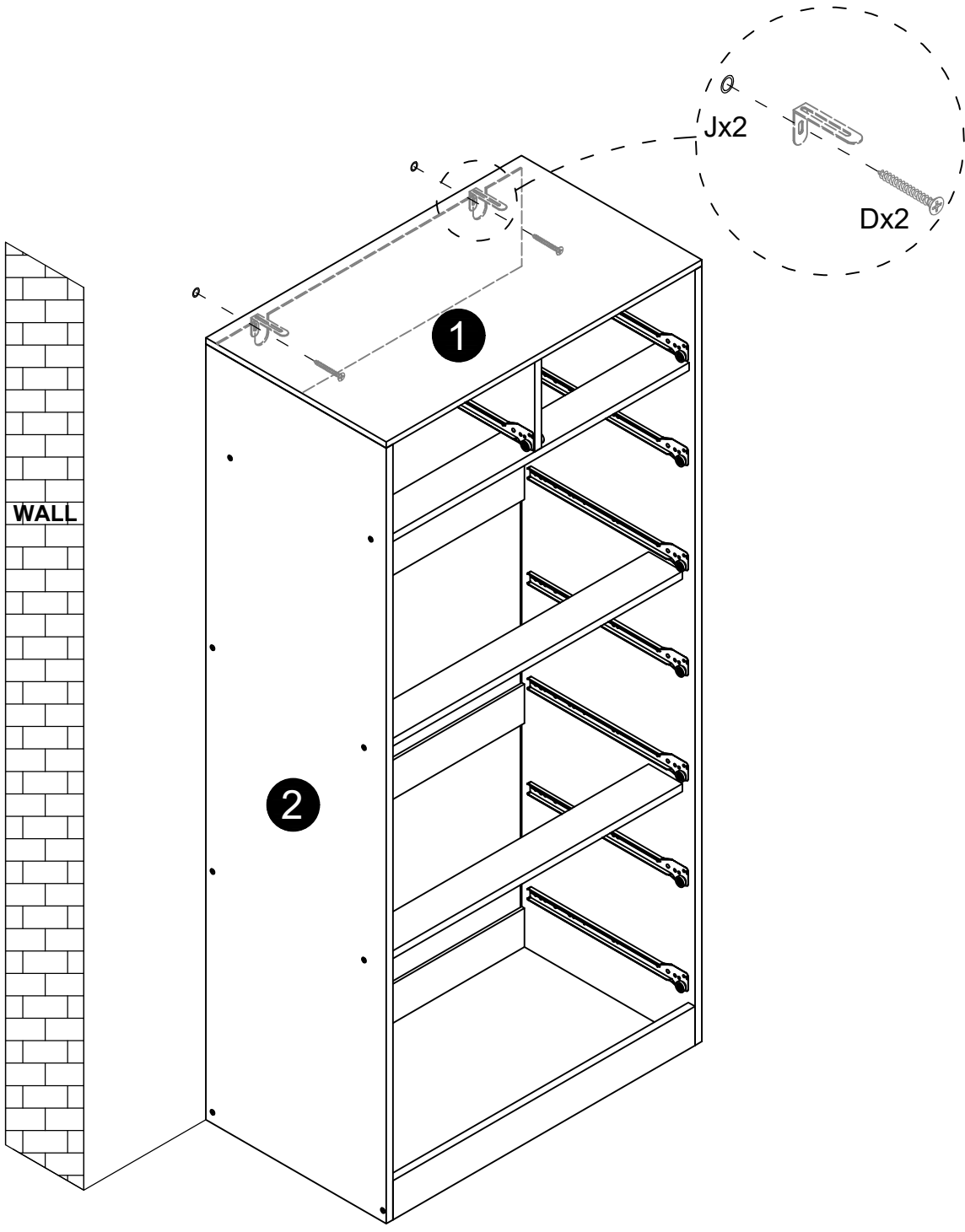
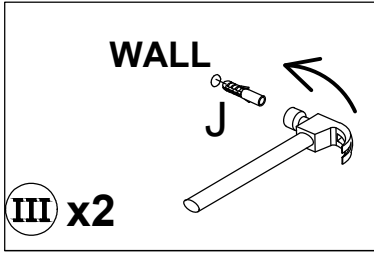
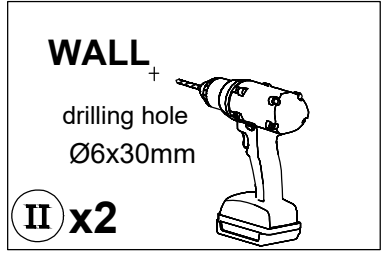
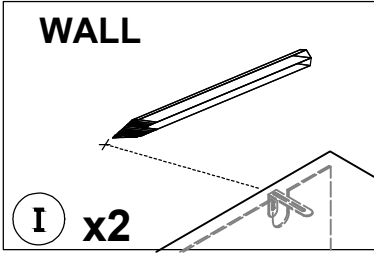


I	x16
	
I-1	I-2

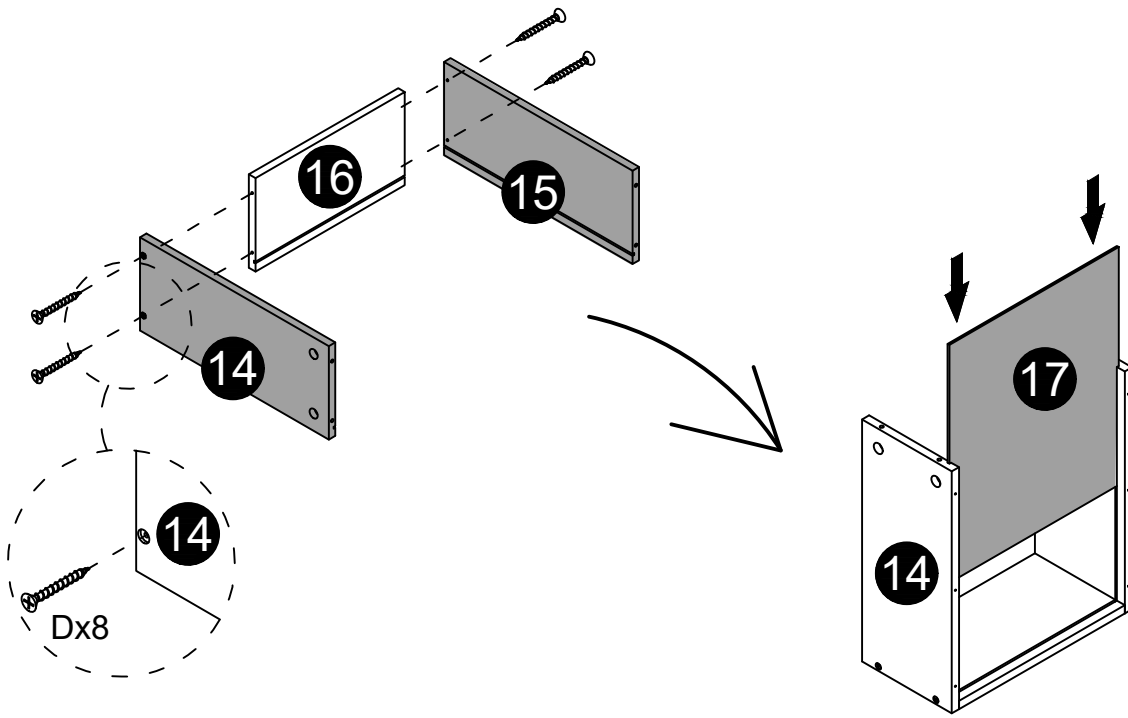



D	x2
	

J	x2
	



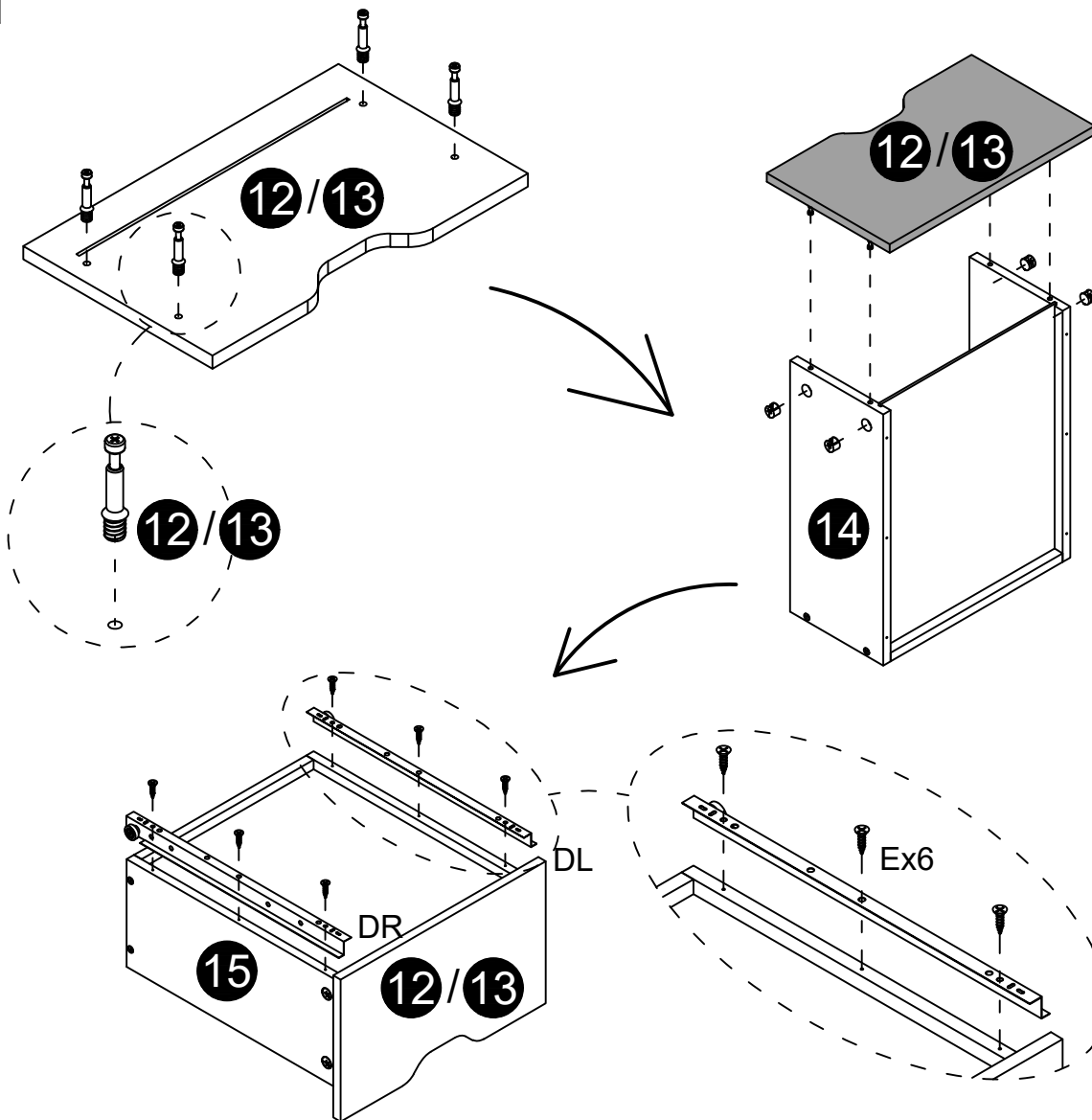
12

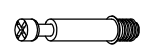



D	x8
	


x2


13




A	x8
	

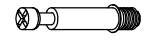


B	x8
	

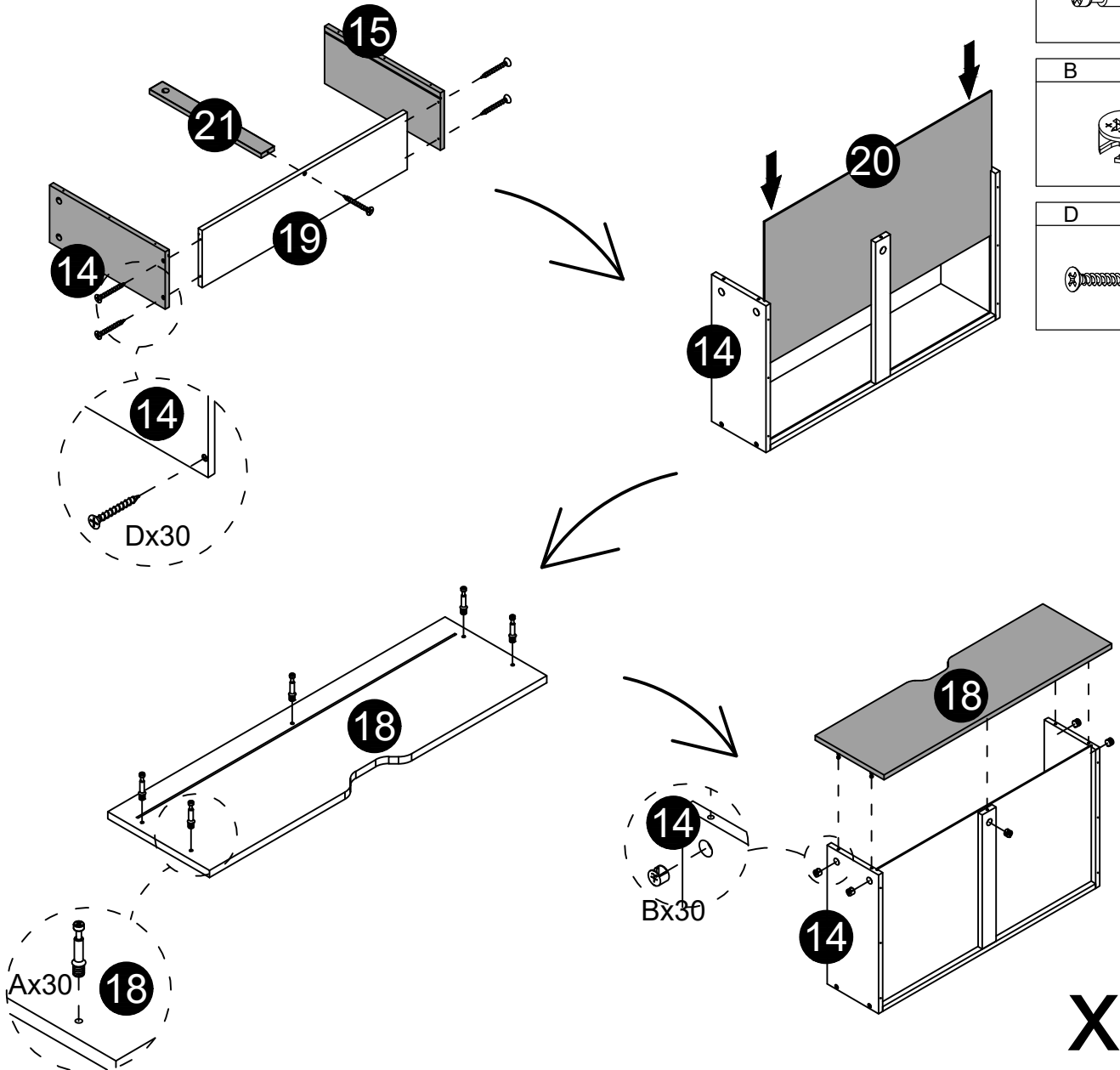
E	x12
	



DL	x2
	

DR	x2
	

x2

A	x30
	
B	x30
	
D	x30
	



E	x36
	
DL	x6
	
DR	x6
