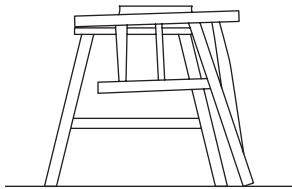
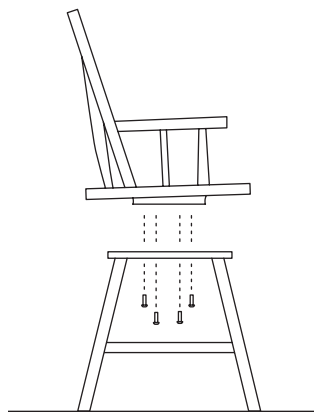


- Models:**
- Windsor Swivel Chair
  - Windsor Swivel Chair w/ Caddie
  - Windsor Armed Chair w/ Caddie

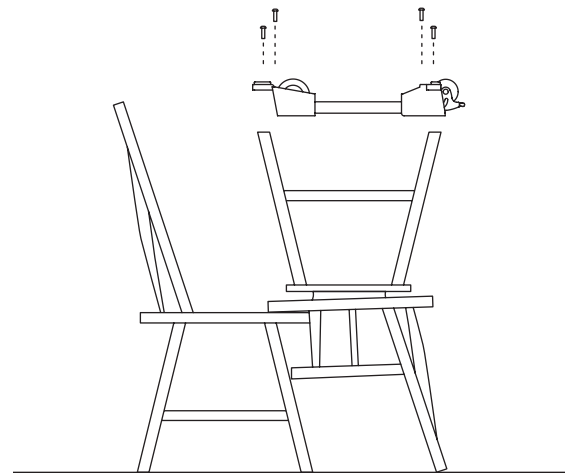
- Included:**
- Base Assembly
  - Seat Assembly
  - 4 × Bolts (base to seat)
  - Chair Caddie (if applicable)
  - 4 × Wood Screws (for Caddie models)
  - Allen Wrench / Phillips Screw Driver Tool



**Fig. 1:**  
Base and Seat



**Fig. 2:**  
Base and Seat Assembly



**Fig. 3:**  
Attaching the Chair Caddie (if applicable)

## Assembly Steps:

### Position the Base & Seat

Place the base and seat on a level surface before starting (Fig. 1).

### Attach Base to Seat

Align base / seat with the 4 pre-drilled holes (Fig. 2). Insert bolts and tighten using the provided Allen wrench tool.

### Attach Chair Caddie (for Windsor Swivel w/ Caddie & Windsor Armed w/ Caddie models)

Using an armless chair, flip the assembled chair so the nose is resting securely (Fig 3.). Align Chair Caddie frame with chair legs. Use Phillips screwdriver tool to insert 4 wood screws into pre-drilled holes (do not overtightened).

### Flip & Check

Turn chair upright. Ensure all fasteners are secure. Test swivel / Chair Caddie function as applicable.