

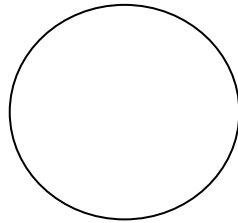
ASSEMBLY INSTRUCTION FOR K/D SHADE

PLEASE READ AND SAVE THESE INSTRUCTIONS

PARTS:



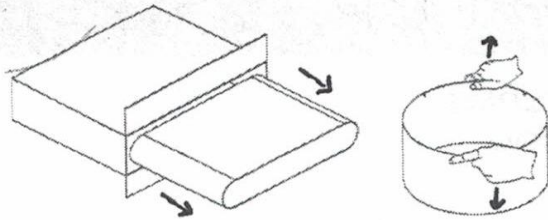
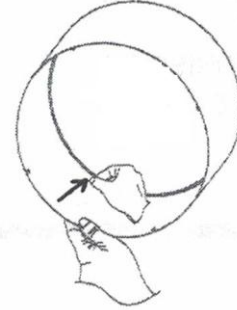
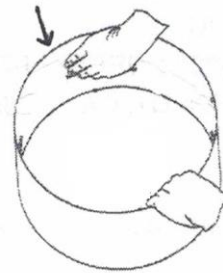
(A) SHADE



(B) RING



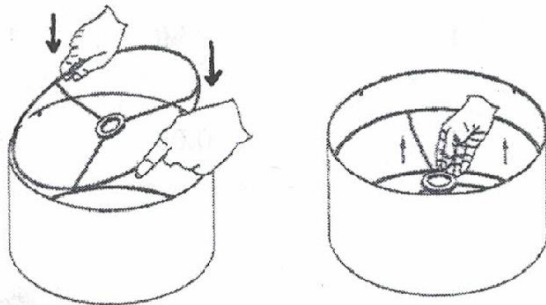
(C) UNO RING



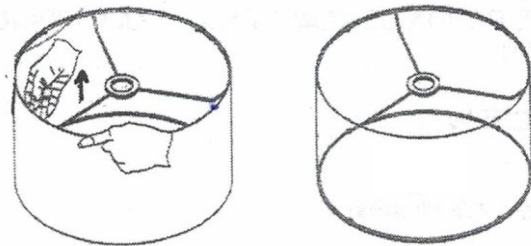
STEP 1 Take the shade (A) out from the inner box and extend it.

Take out part (B) and part (C) put on a clean surface before assembly.

STEP 2 Put the bottom ring (B) into the shade (A) and fix the ring into the open end clips around the shade rim.



STEP 3 Insert the UNO ring (C) into the shade (A) and pull the UNO ring (C) up to the right position.



STEP 4 Fix the UNO ring (C) into the open end clips around the other end of the shade (A).