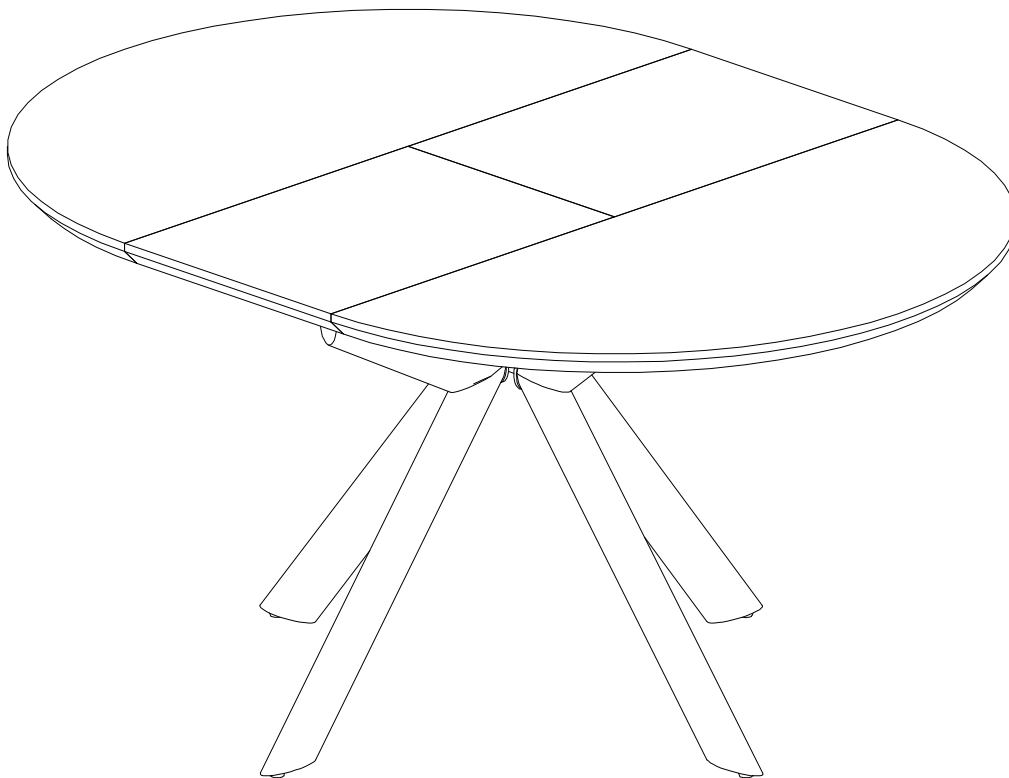
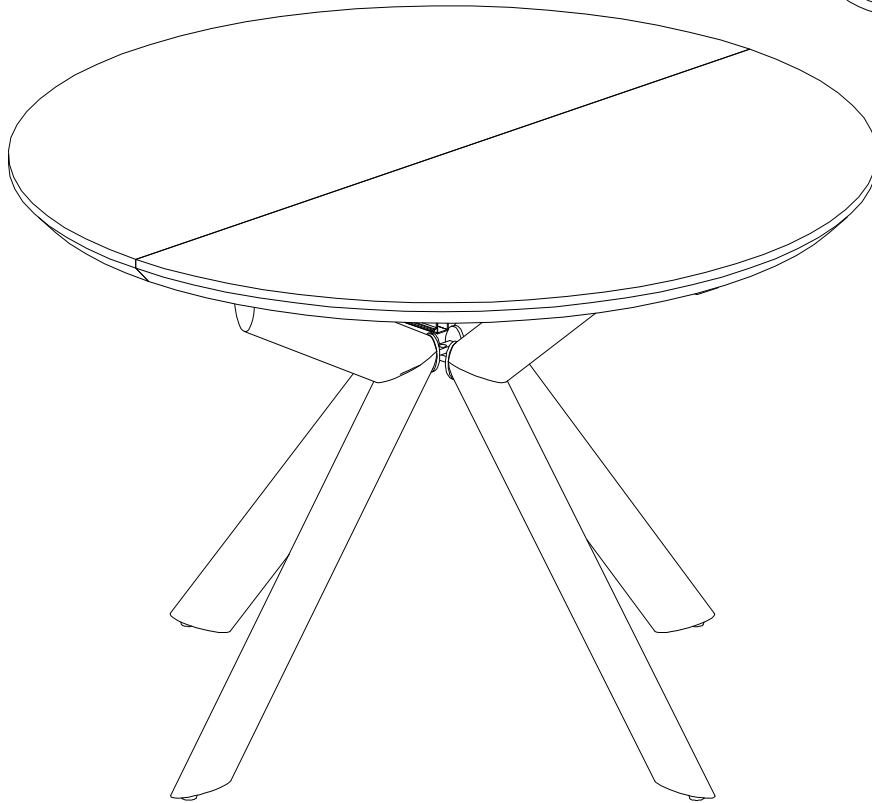
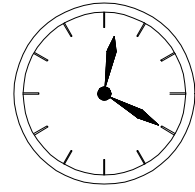
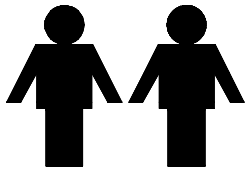
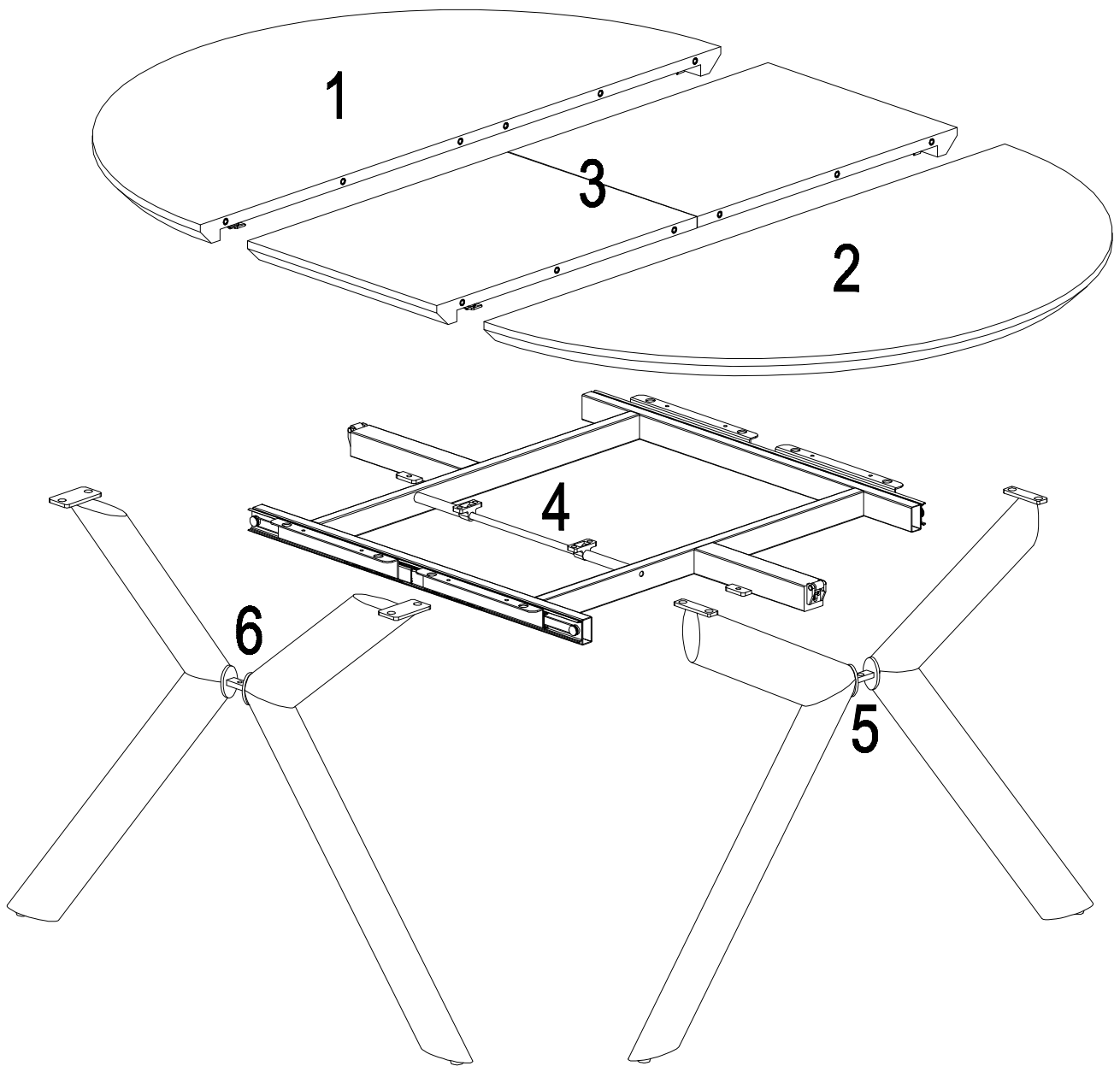
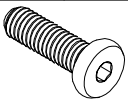


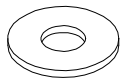
J24


# ASSEMBLY INSTRUCTIONS

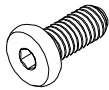


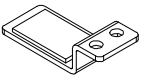


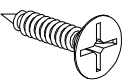
+Spare X 2	
A	x 18
	
M8*18mm	

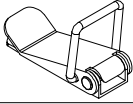
+Spare X 1	
B	x 9
	
Ø20*1.5mm	

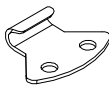
+Spare X 2	
C	x 19
	

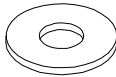
+Spare X 1	
D	x 5
	
M6*15mm	

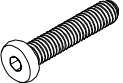
E	x 2
	

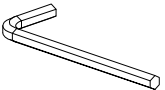
+Spare X 2	
F	x 22
	
4*14mm	

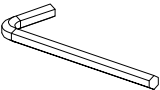
G	x 4
	


H	x 4
	

+Spare X 1	
I	x 10
	
Ø16*1.5mm	

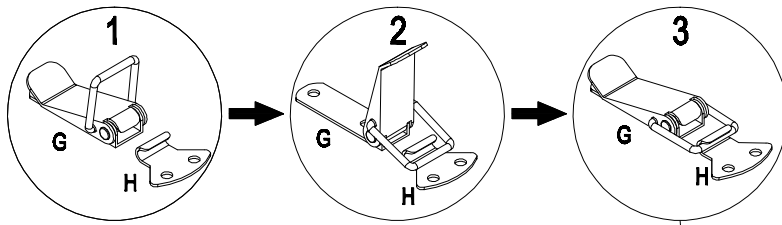
+Spare X 1	
J	x 2
	
M8*25mm	

K	x 1
	
4mm	

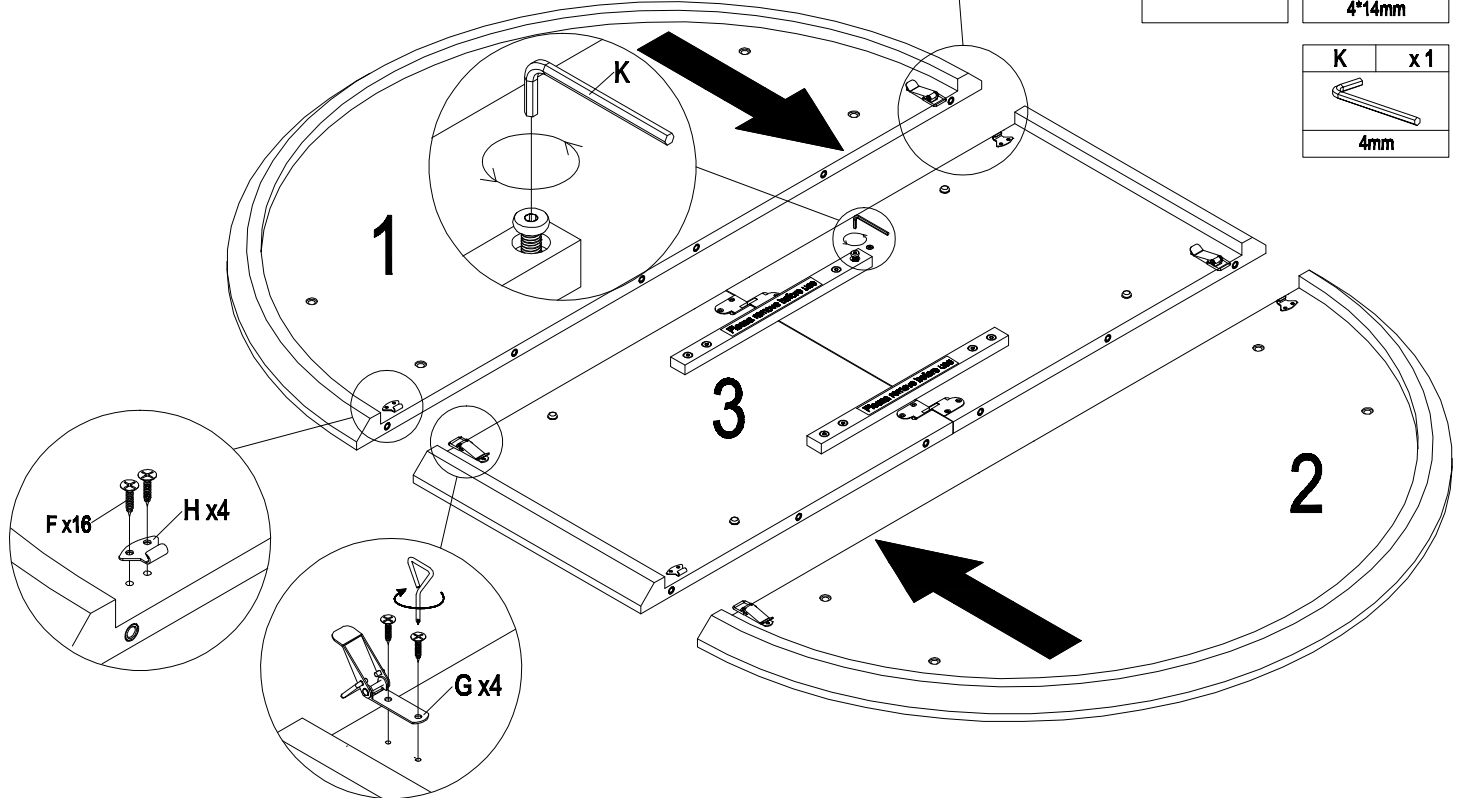
L	x 1
	
5mm	

M	x 1
	

# 1

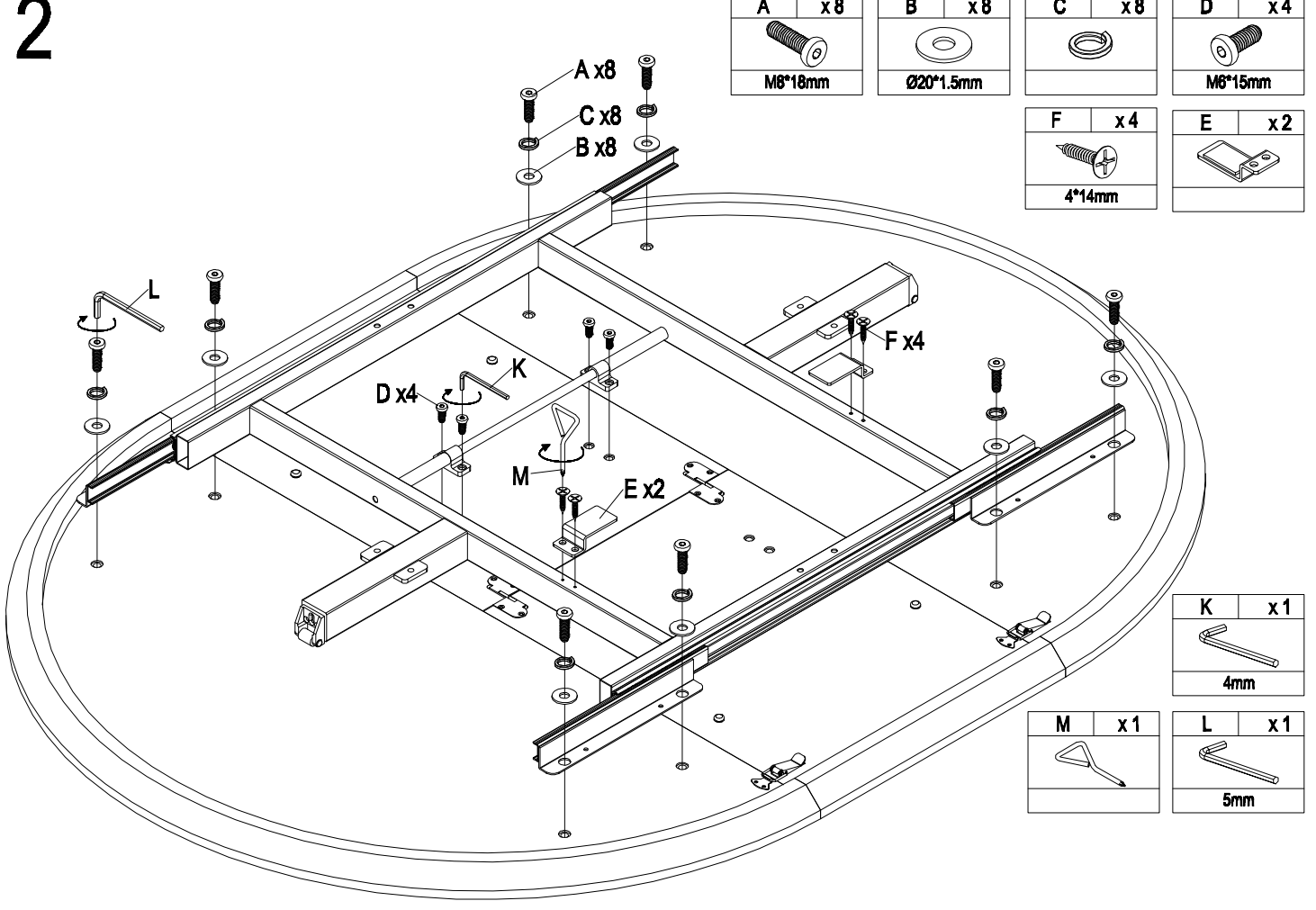


<b>G</b>	x4	<b>H</b>	x4
<b>M</b>	x1	<b>F</b>	x16
			4*14mm
<b>K</b>	x1		
			4mm



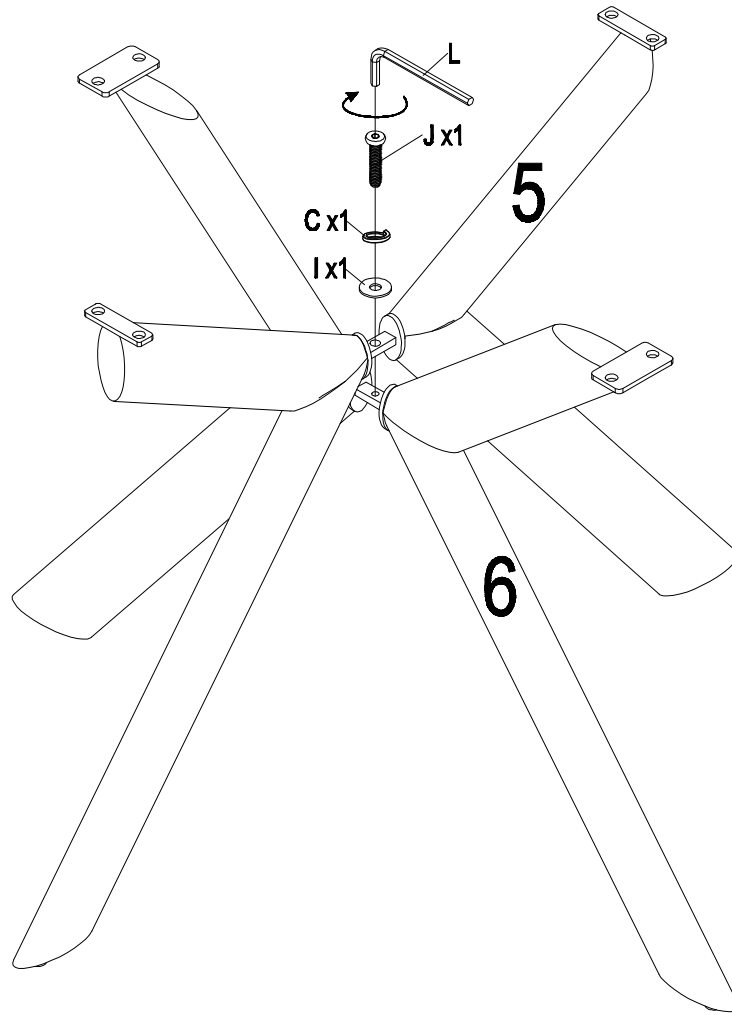
# 2





<b>A</b>	x8	<b>B</b>	x8	<b>C</b>	x8	<b>D</b>	x4
M8*18mm		Ø20*1.5mm					M8*15mm
<b>F</b>	x4	<b>E</b>	x2				
4*14mm							



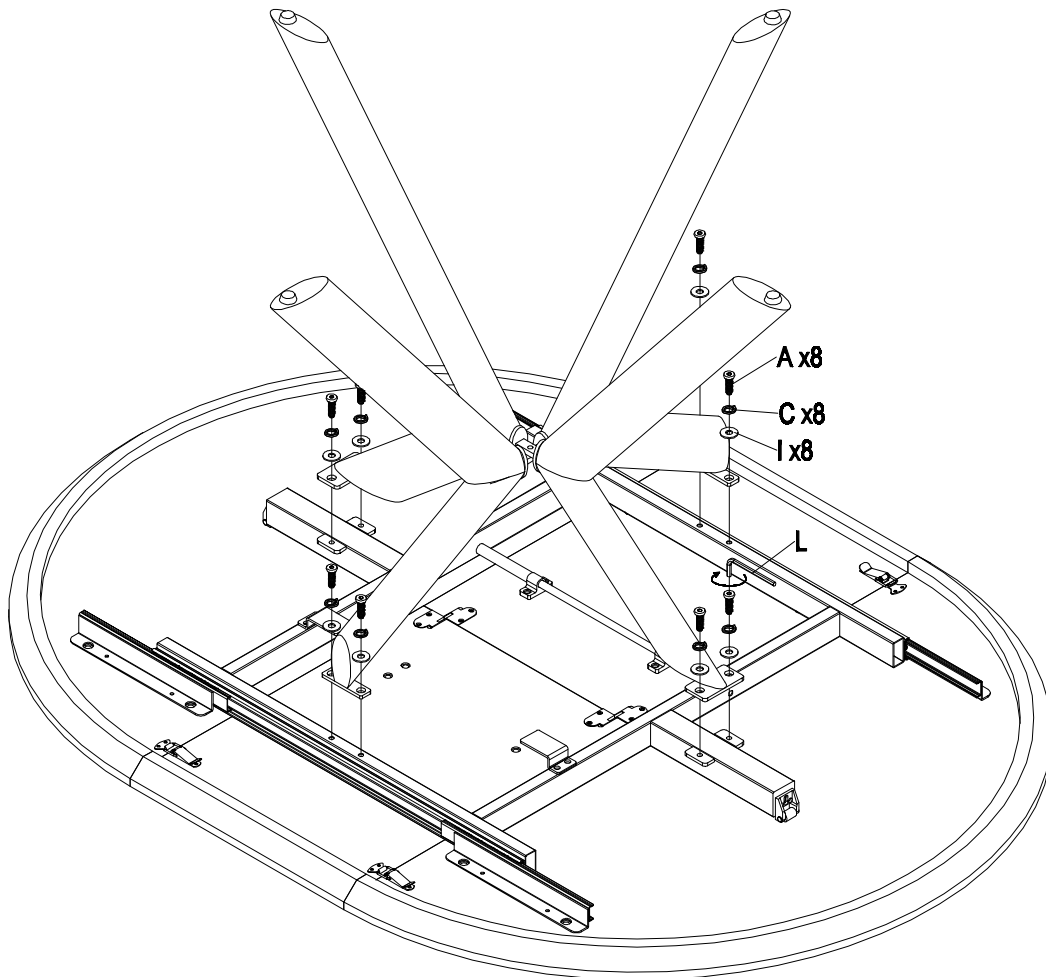
<b>K</b>	x1	<b>L</b>	x1
	4mm		5mm
<b>M</b>	x1		

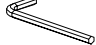



# 3



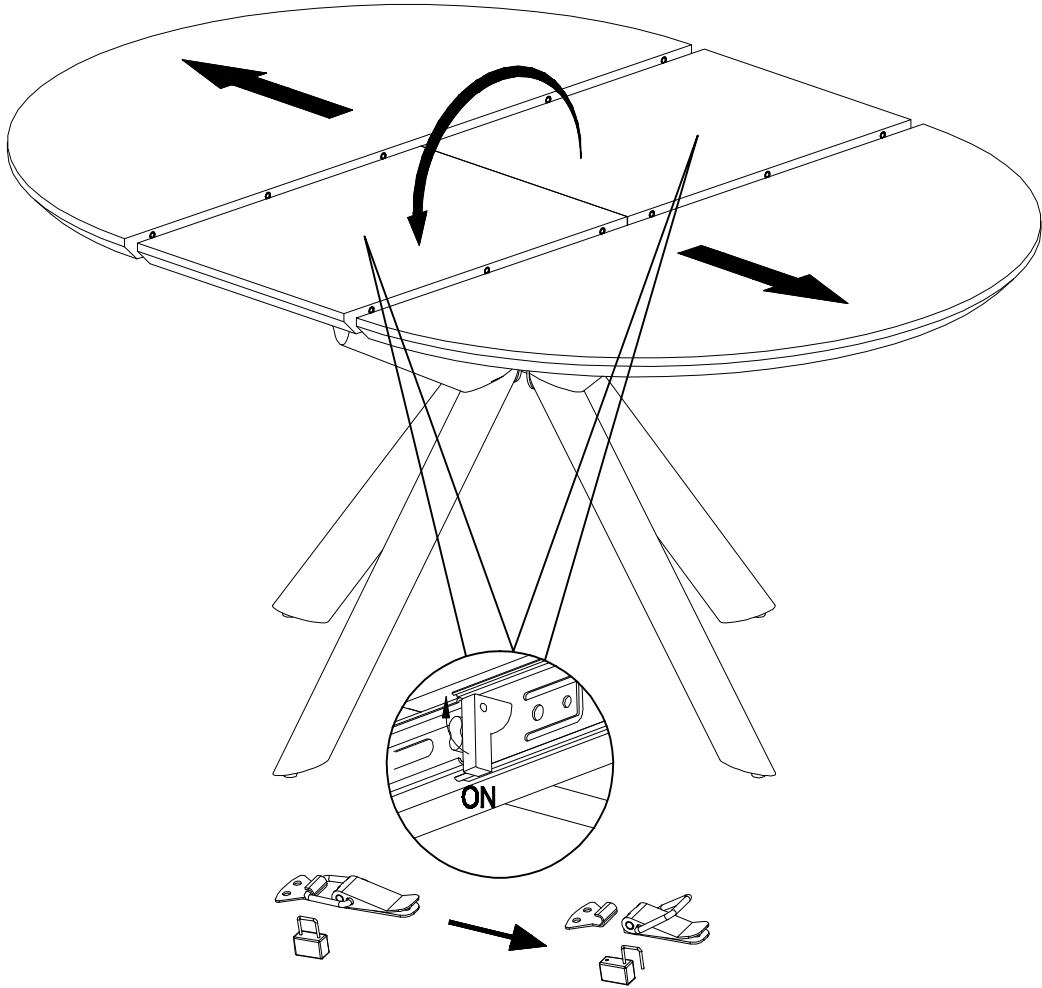
L	x1
	
5mm	
C	x1
	
Ø14mm	
I	x1
	
Ø16*1.5mm	
J	x1
	
M8*25mm	

# 4

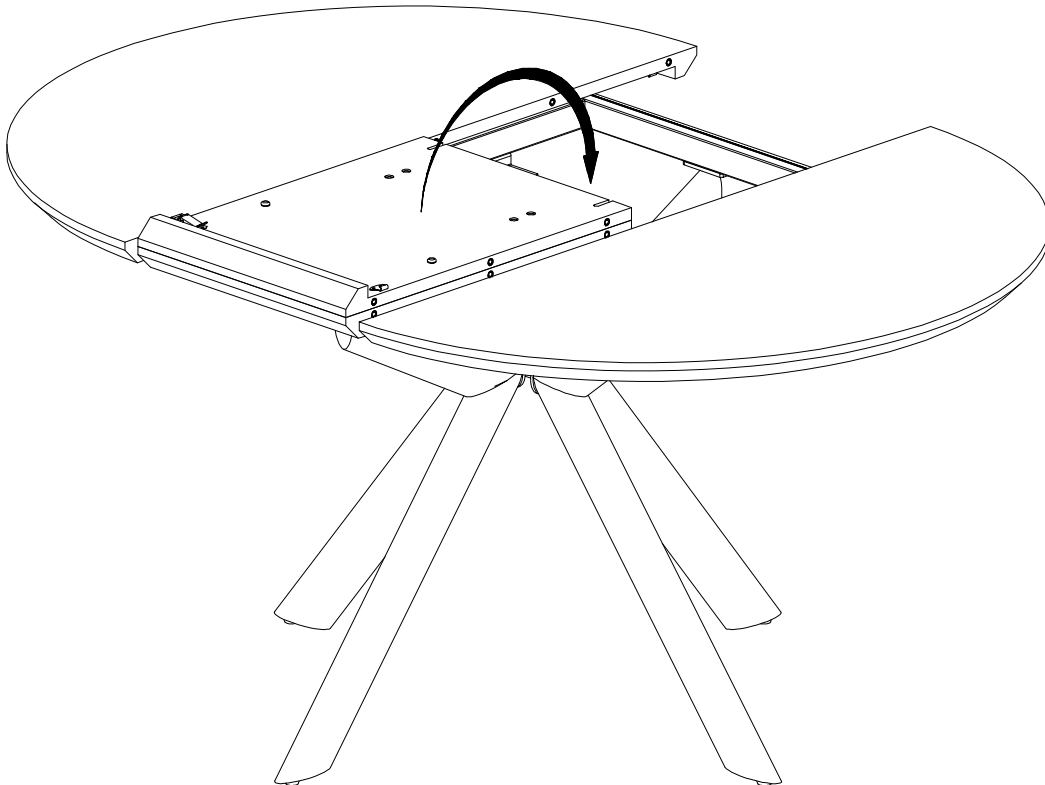


L	x1
	
5mm	
C	x8
	
I	x8
	
Ø16*1.5mm	
A	x8
	
M8*18mm	

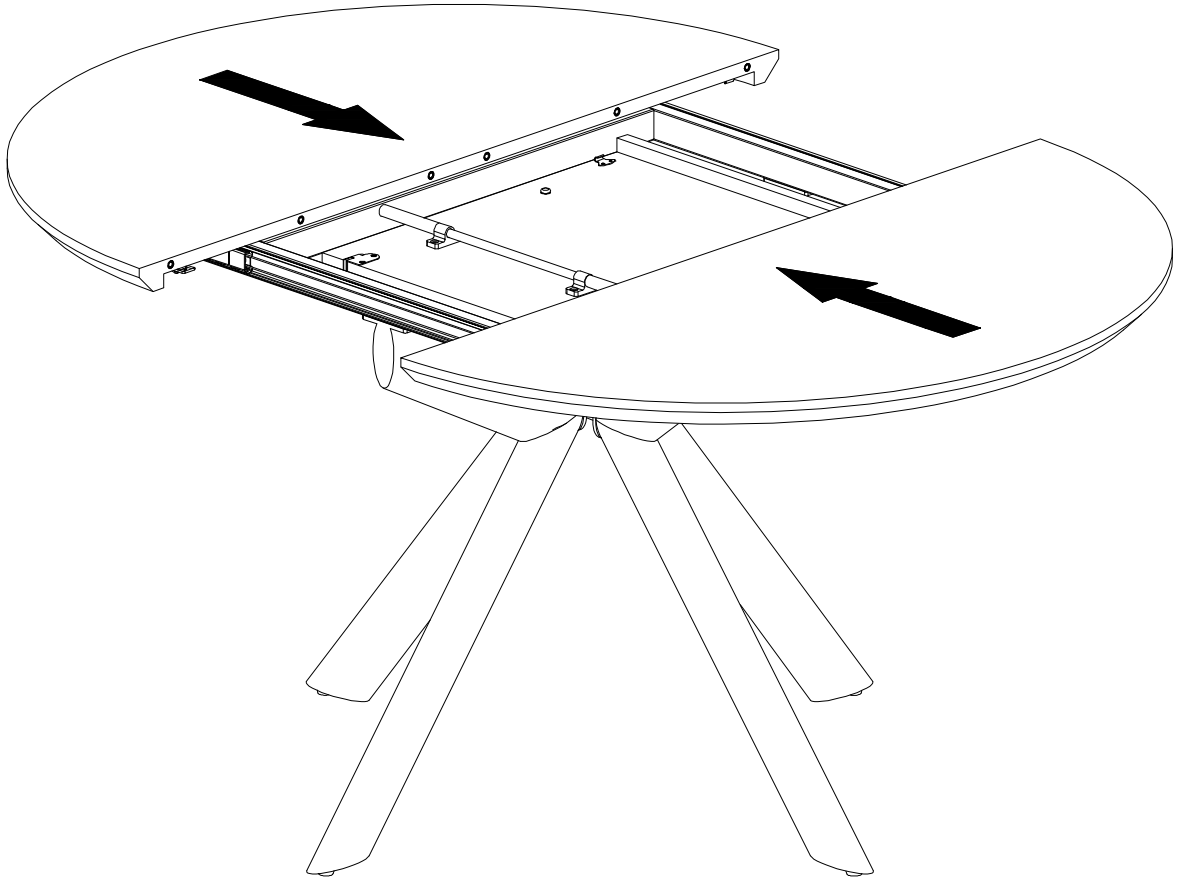
5



6



7



8

