

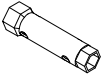
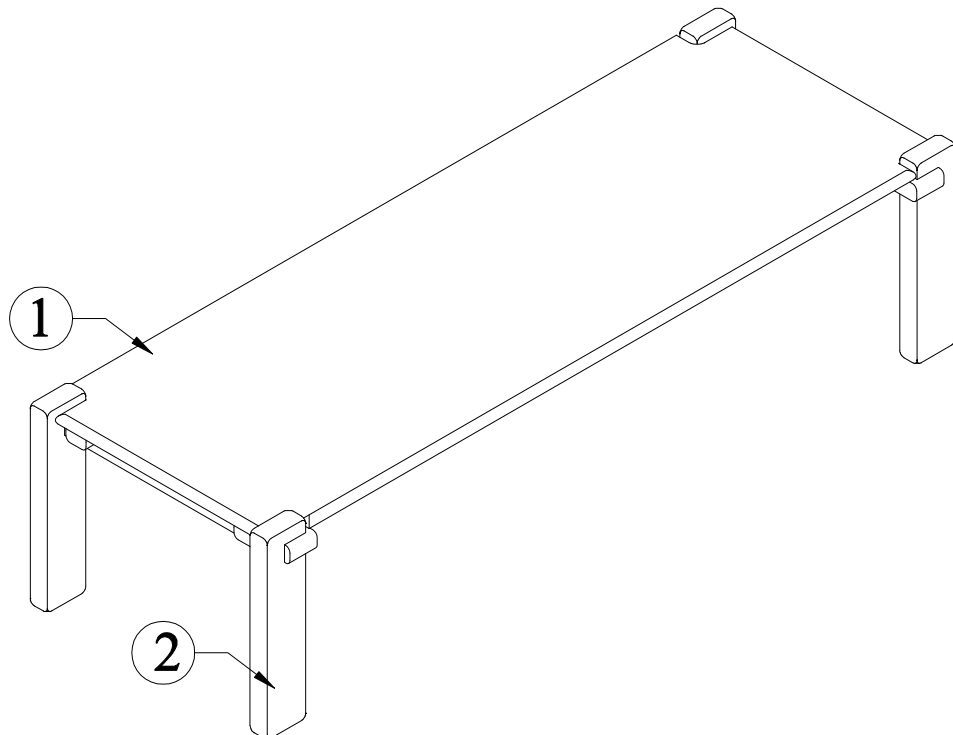
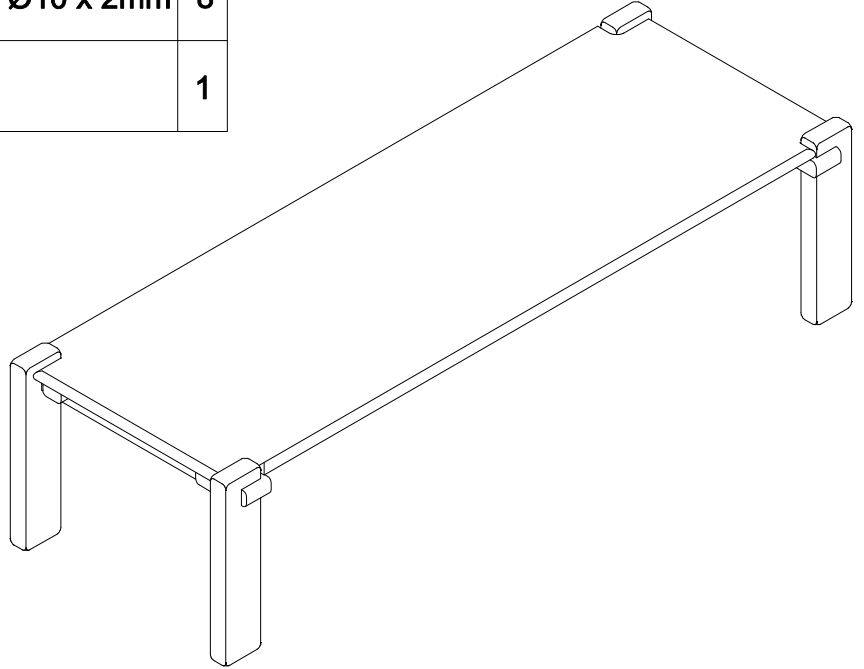


ASSEMBLY INSTRUCTION

MODEL: DINNING TABLE

HARDWARE LIST

A		Hexagonal steel bolt	M10 x 81mm	8
B		Flat washer	Ø19 x Ø10 x 2mm	8
C		Socket wrench	M17	1



ASSEMBLY INSTRUCTION

MODEL: DINNING TABLE

