

Assembly Instructions - Please keep for future reference

N844P291652

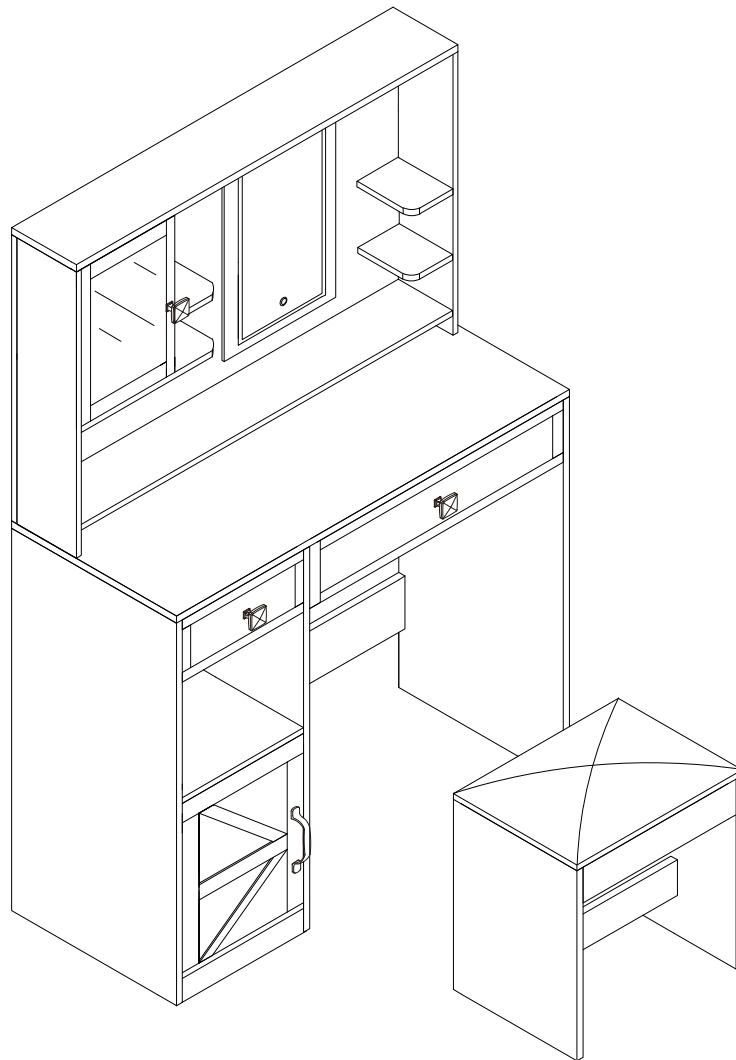


Table Dimensions

Width- 37.5inch
Depth-15.75inch
Height- 56.25inch

Bench Dimensions

Width- 16.5inch
Depth-12.25inch
Height-17.75inch

Important - Please read these instructions fully before starting assembly

Issue 1 - 03/2025



Safety and Care Advice

Important – Please read these instructions fully before starting assembly

- Check you have all the components and tools listed on the following pages.
- Remove all fittings from the plastic bags and separate them into their groups.
- Keep children and animals away from the work area, small parts could choke if swallowed.
- Make sure you have enough space to layout the parts before starting.

- During assembly do not stand or put weight on the product, this could cause damage.
- Assemble the item as close to its final position (in the same room) as possible.
- Assemble on a soft level surface to avoid damaging the unit or your floor.
- Parts of the assembly will be easier with 2 people.



- To reduce the likelihood of damaging your product please ensure that your power drill is set on a low torque setting.

Care and maintenance

- Only clean using a damp cloth and mild detergent, do not use bleach or abrasive cleaners.
- From time to time check that there are no loose screws on this unit.
- This product should not be discarded with household waste. Take to your local authority waste disposal centre.

Handy Hints

- Assemble all parts and bolts loosely during assembly, only once the product is complete should you fully tighten the bolts
- Regularly check and ensure That all bolts and fittings are tightend properly.

WARNING

In order to help prevent overturning – please follow these instructions

To help prevent product toppling over please follow the below steps:-

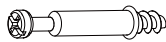



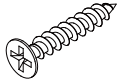
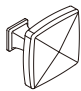
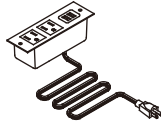
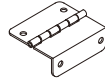
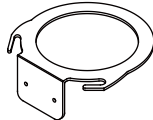

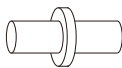
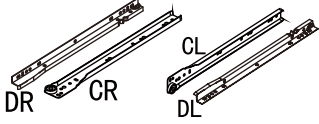
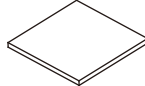
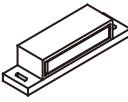
Use the anti tip strap or wall fixing method provided (if applicable)
Do not allow children to climb or hang on the furniture
Do not open more than one drawer at a time
Do not place heavy items in the top drawers
Do not place heavy items on top of the furniture, unless the furniture has been designed for this purpose

Please note that only the anti tip strap is provided.
You will need to provide wall plugs and screws applicable for your wall type

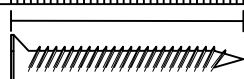
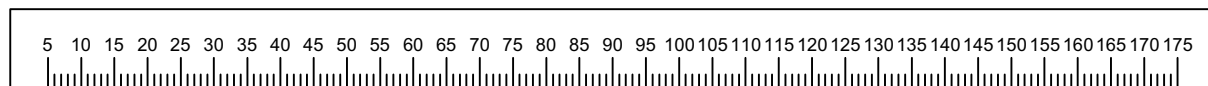
Components - Fittings

Please check you have all the panels listed below

Note: The quantities below are the correct amount to complete the assembly. In some cases more fittings may be supplied than are required.

<p>(A)</p>  <p>x59</p>	<p>(B)</p>  <p>x59</p>
<p>(C)</p>  <p>x61</p>	<p>(D)</p>  <p>M3.5x12mm x38</p>
<p>(E)</p>  <p>M4x35mm x40</p>	<p>(F)</p>  <p>x3</p>
<p>(G)</p>  <p>x1</p>	<p>(H)</p>  <p>x4</p>
<p>(J)</p>  <p>x1</p>	<p>(K)</p>  <p>x1</p>
<p>(L)</p>  <p>x8</p>	<p>(M)</p>  <p>x2</p>
<p>(N)</p>  <p>x6</p>	<p>(O)</p>  <p>x2</p>

Ruler - Use this ruler to help correctly identify the screws

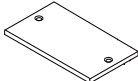


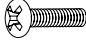



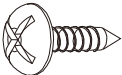
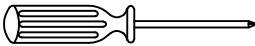



The screws length is measured from the head to the point (35mm screw shown).

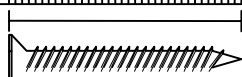
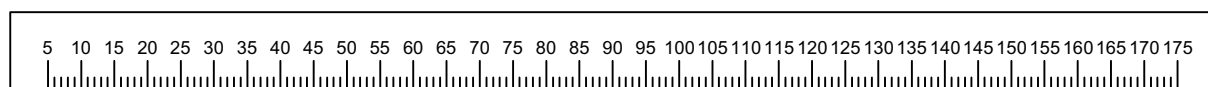
Components - Fittings

Please check you have all the panels listed below

Note: The quantities below are the correct amount to complete the assembly. In some cases more fittings may be supplied than are required.

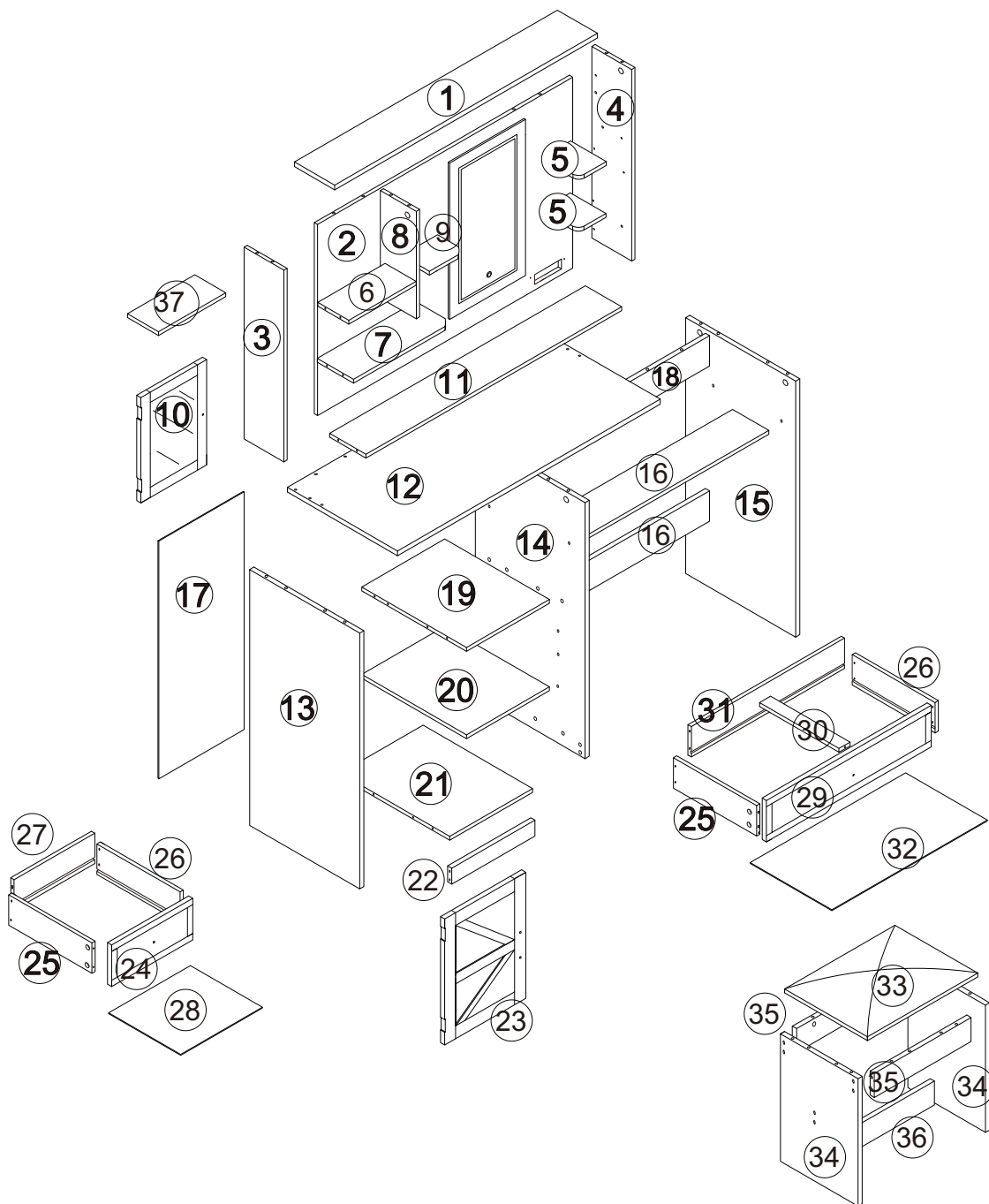
<p>Ⓟ</p>  <p>x1</p>	<p>Ⓠ</p>  <p>M3x14mm x4</p>
<p>Ⓡ</p>  <p>M4x8mm x2</p>	<p>Ⓢ</p>  <p>M4x20mm x3</p>
<p>Ⓣ</p>  <p>x2</p>	<p>Ⓤ</p>  <p>x2</p>
<p>Ⓥ</p>  <p>x1</p>	<p>Ⓦ</p>  <p>M4x12mm x2</p>
 <p>Screw driver (not provided)</p>	<p>Ⓧ</p>  <p>x12</p>

Ruler - Use this ruler to help correctly identify the screws

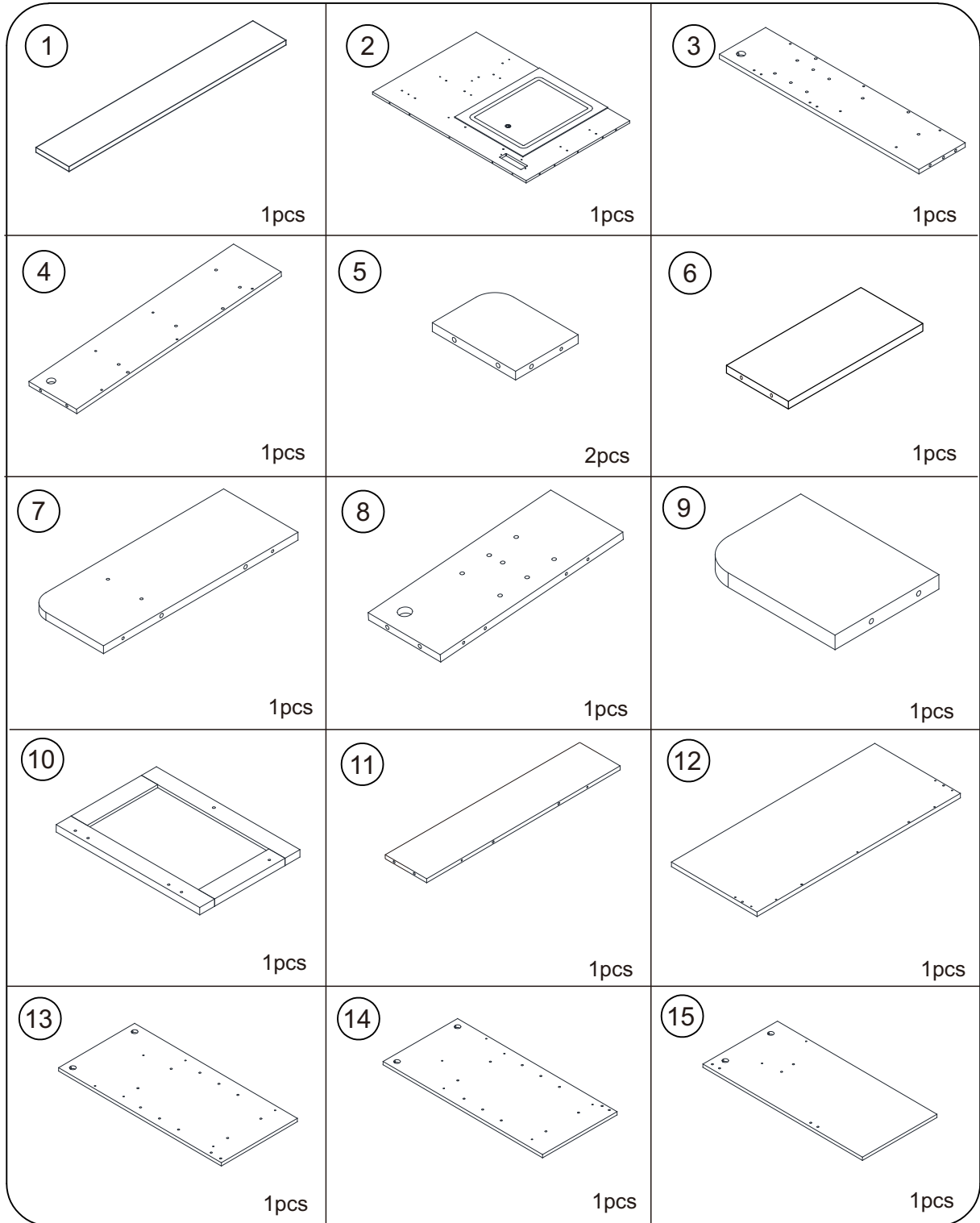


The screws length is measured from the head to the point (35mm screw shown).

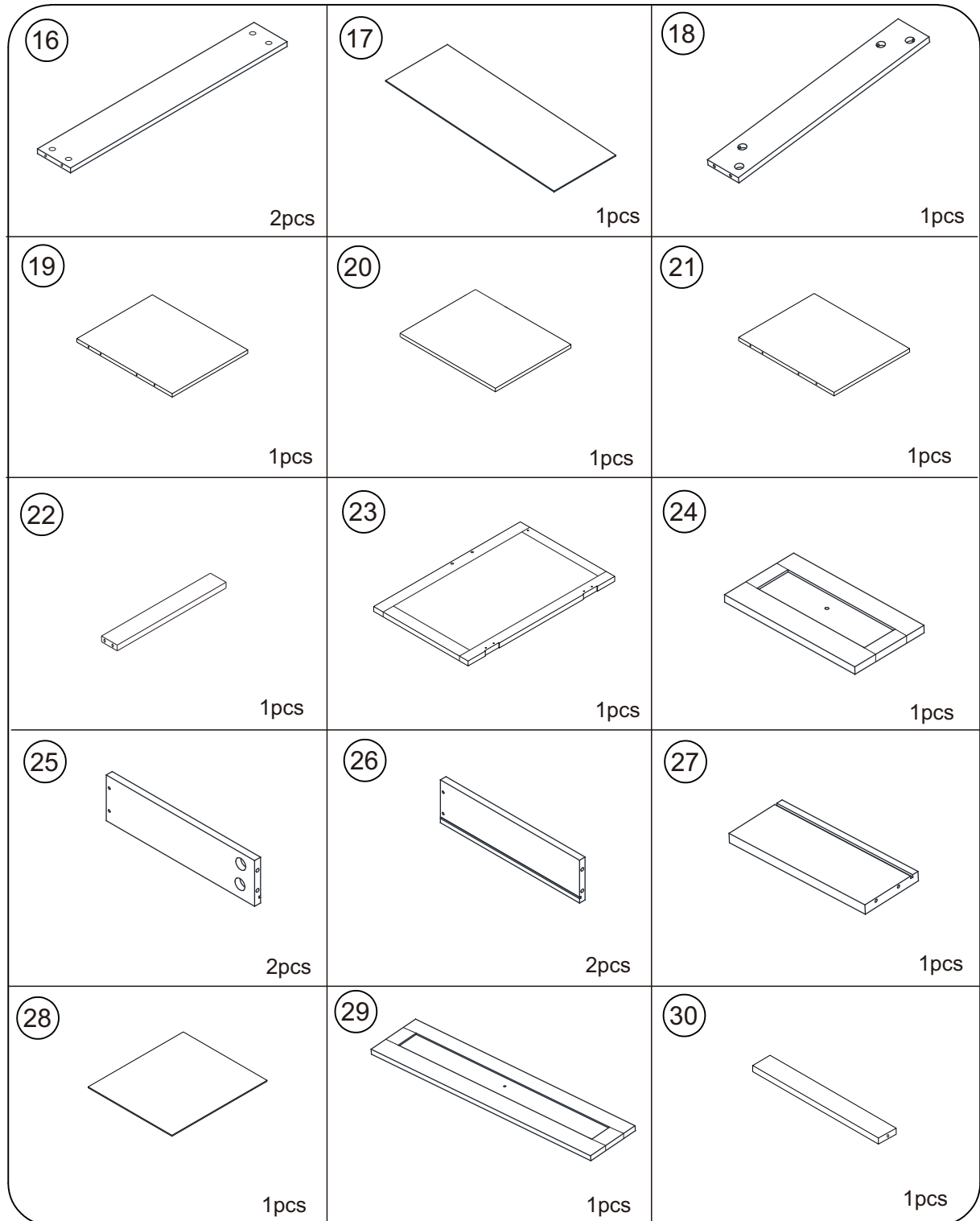
Assembly Instructions



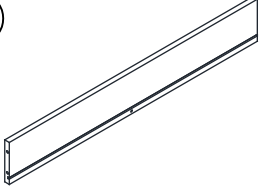
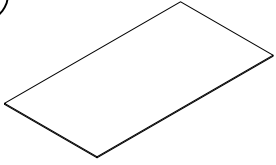
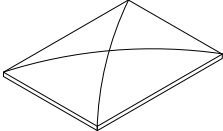
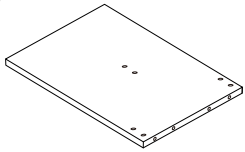
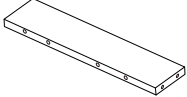
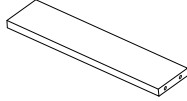
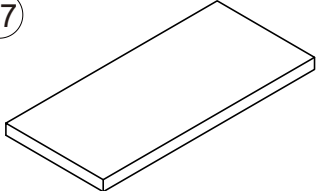
Assembly Instructions



Assembly Instructions

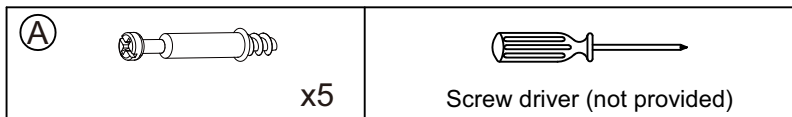
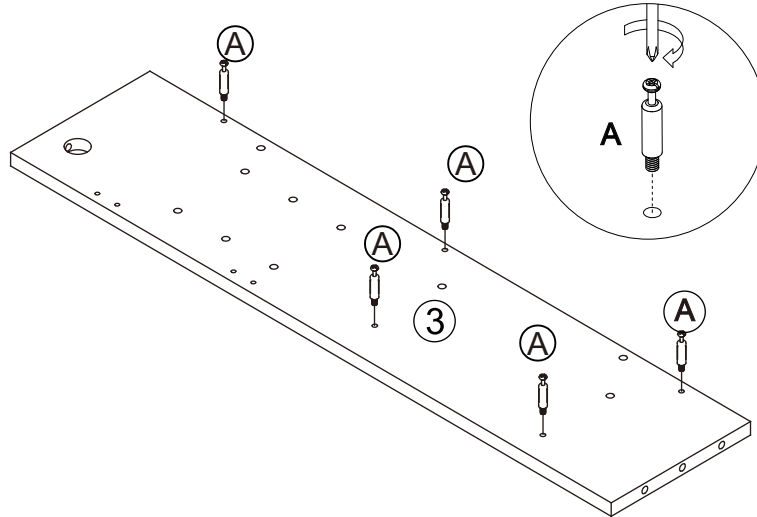


Assembly Instructions

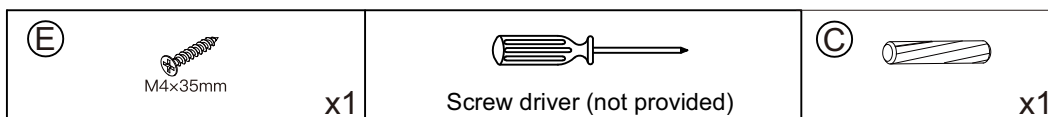
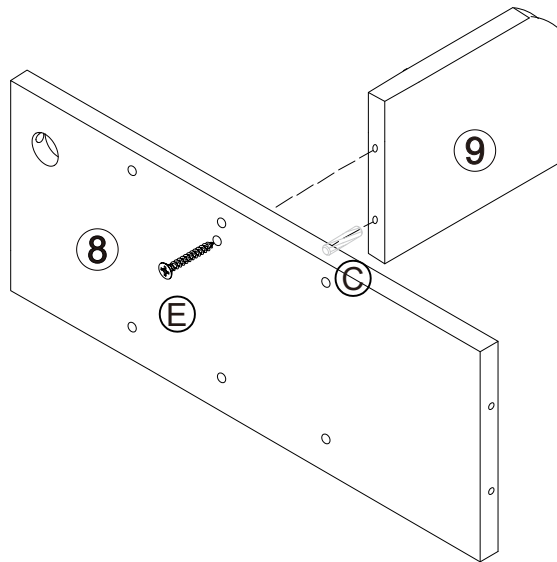
<p>31</p>  <p>1pcs</p>	<p>32</p>  <p>1pcs</p>	<p>33</p>  <p>1pcs</p>
<p>34</p>  <p>2pcs</p>	<p>35</p>  <p>2pcs</p>	<p>36</p>  <p>1pcs</p>
<p>37</p>  <p>1pcs</p>		

Assembly Instructions

Step 1

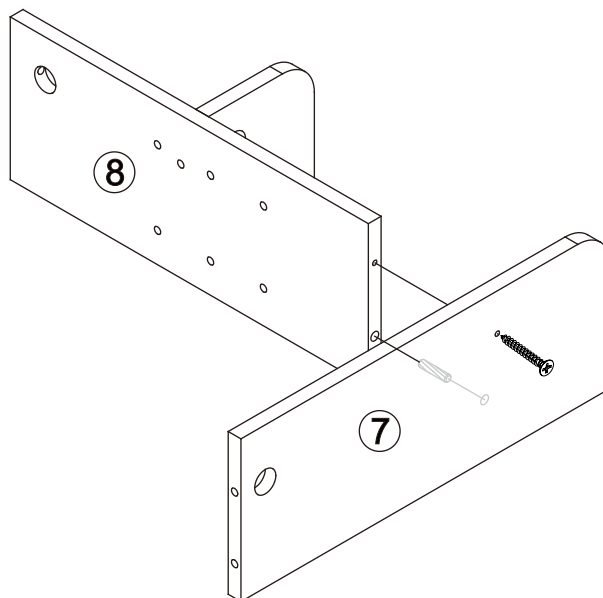



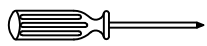

Step 2



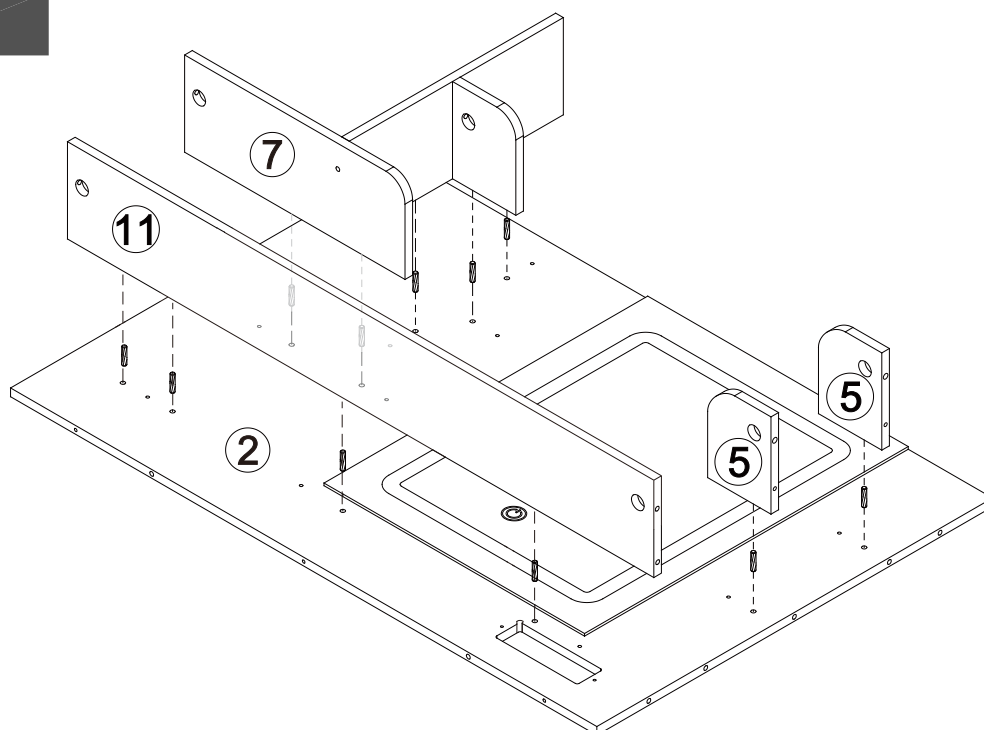
Assembly Instructions


Step 3



<p>Ⓔ</p>  <p>M4x35mm</p> <p>x1</p>	 <p>Screw driver (not provided)</p>	<p>Ⓒ</p>  <p>x1</p>
--	---	---

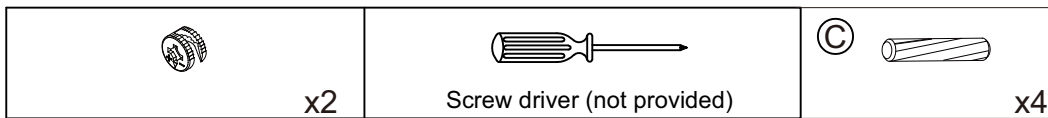
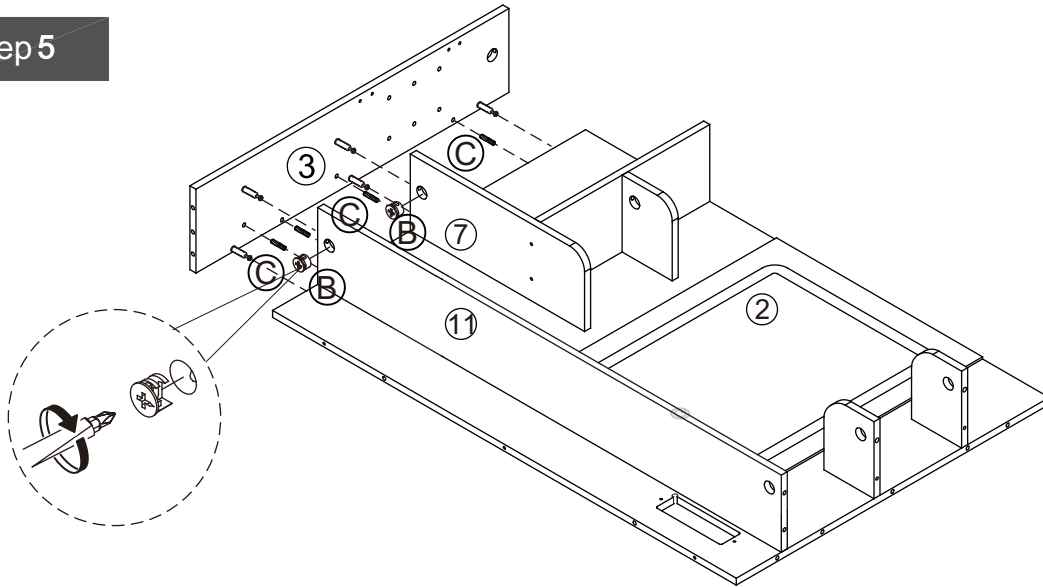
Step 4



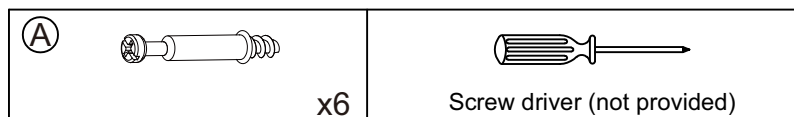
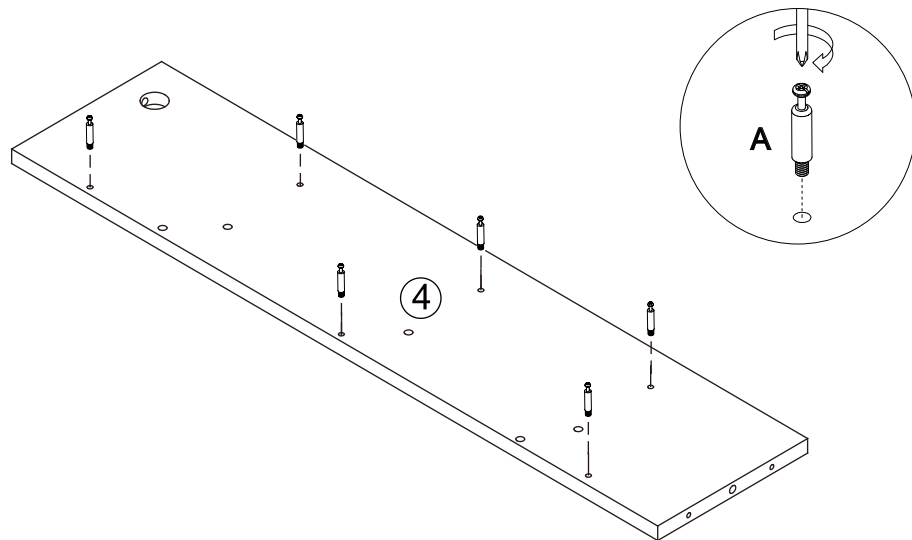
<p>Ⓒ</p>  <p>x11</p>

Assembly Instructions

Step 5

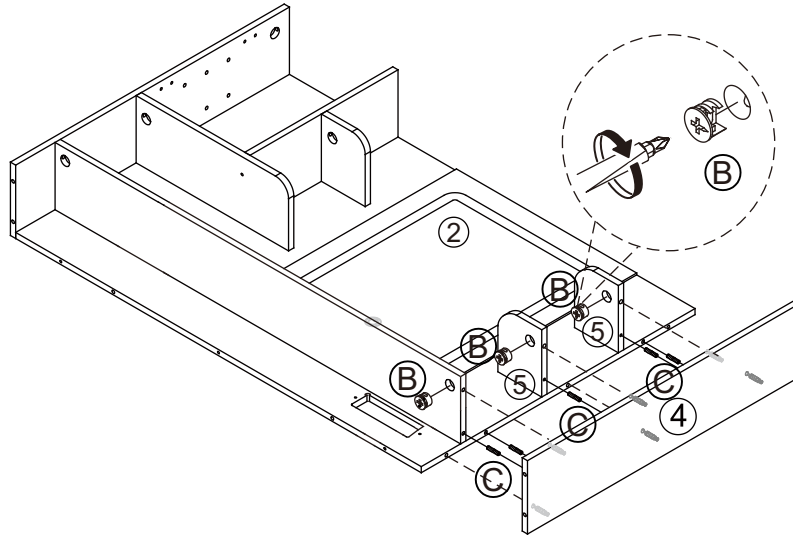



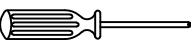

Step 6



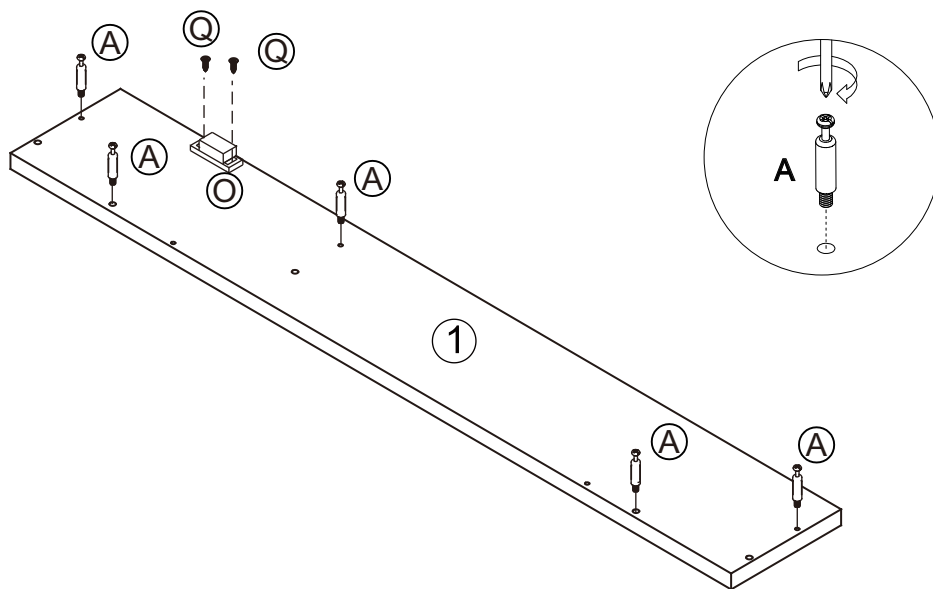
Assembly Instructions

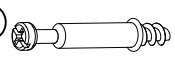

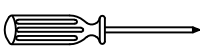

Step 7



 <p>B</p> <p>x3</p>	 <p>Screw driver (not provided)</p>	 <p>C</p> <p>x5</p>
---	--	---

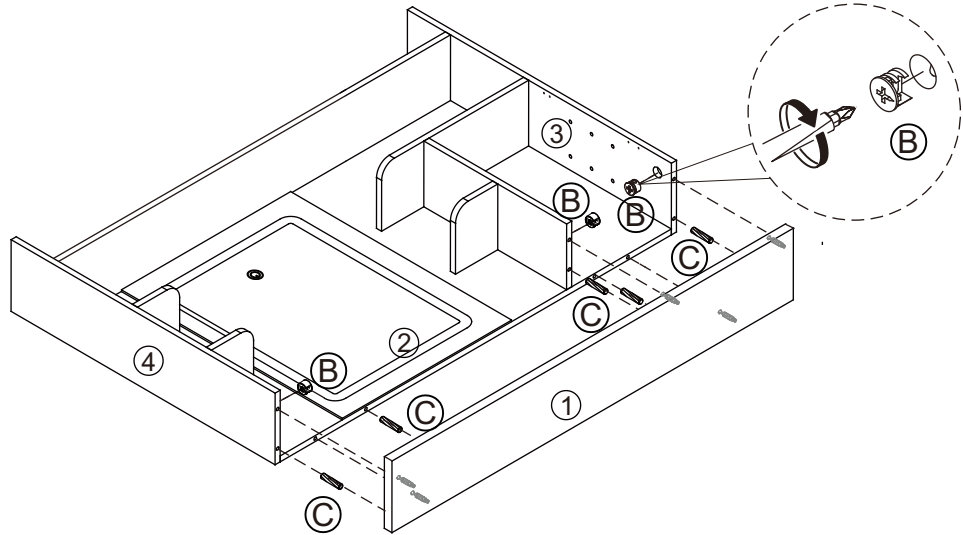
Step 8



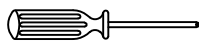




 <p>A</p> <p>x5</p>	 <p>Q</p> <p>M3x14mm x2</p>	 <p>Screw driver (not provided)</p>	 <p>O</p> <p>x1</p>
---	---	---	---

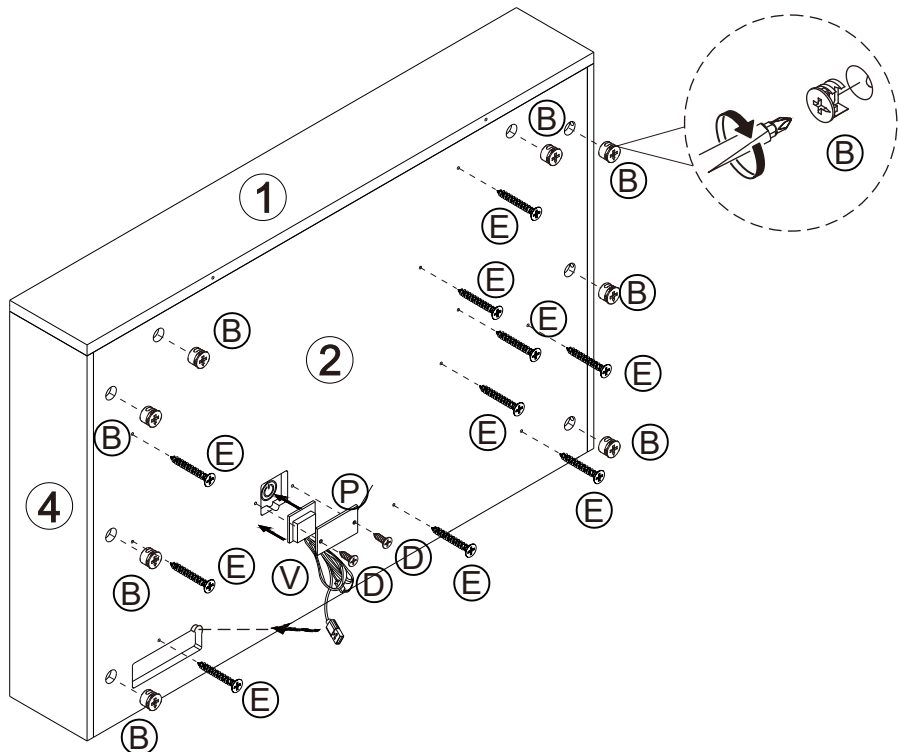
Assembly Instructions







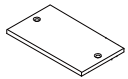

Step 9



  x3	 Screw driver (not provided)	  x5
--	--	--

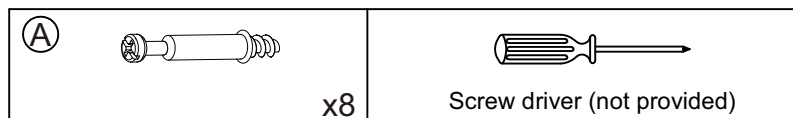
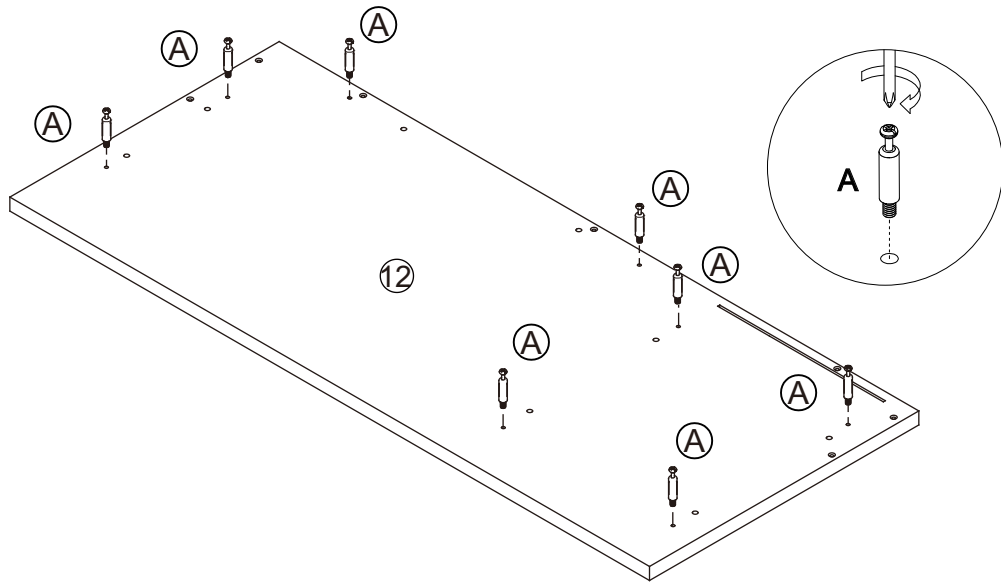
Step 10



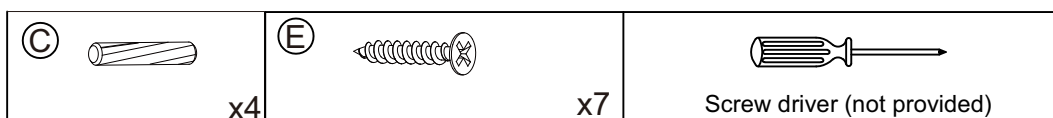
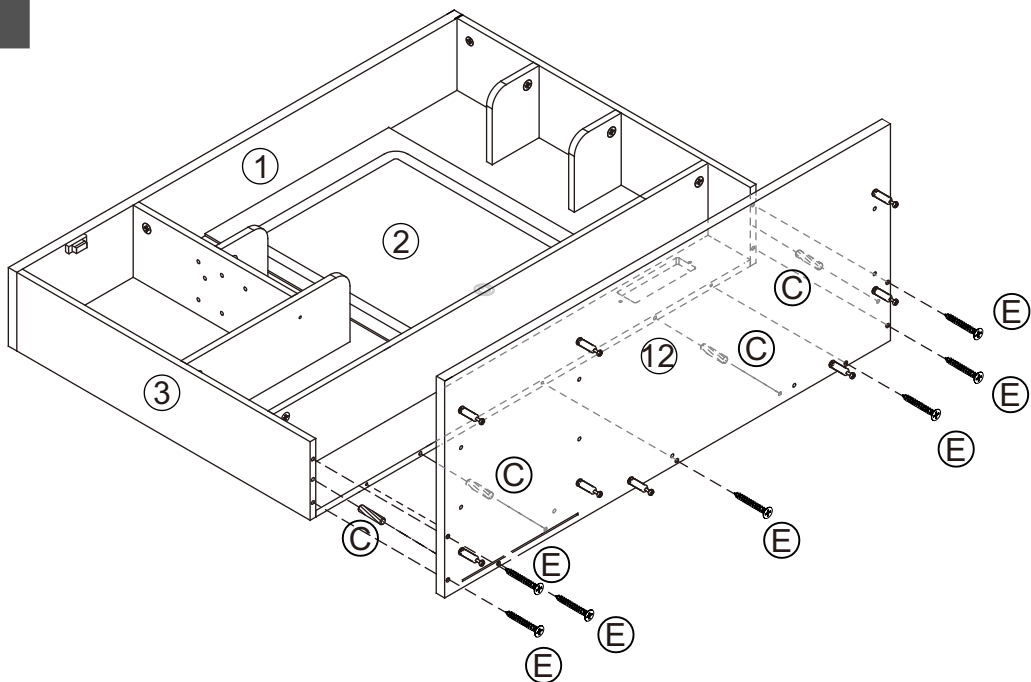
  x8	  x2	  x10	 x1	 x1
---	---	--	--	---

Assembly Instructions

Step 11

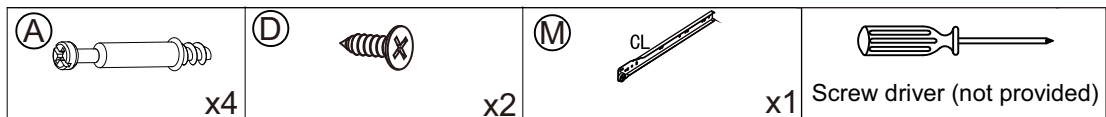
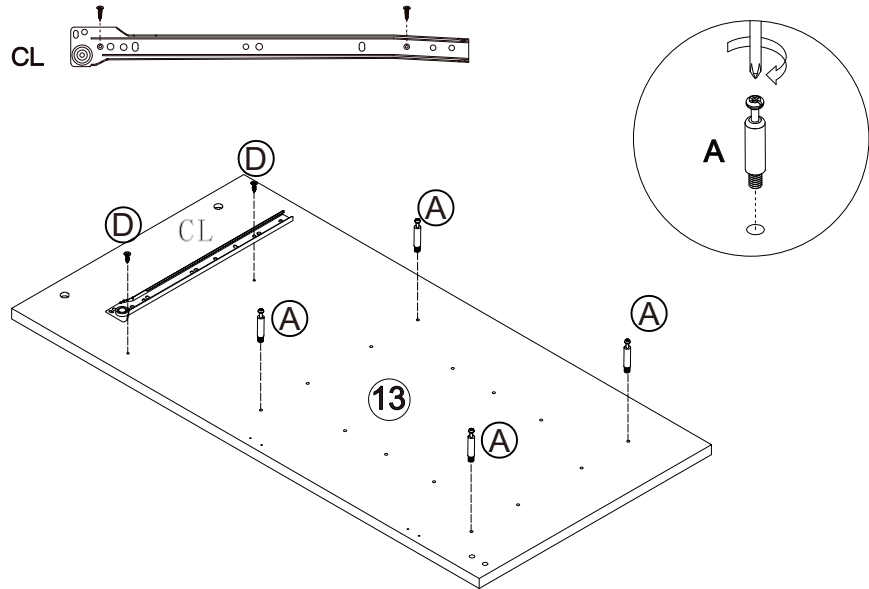


Step 12

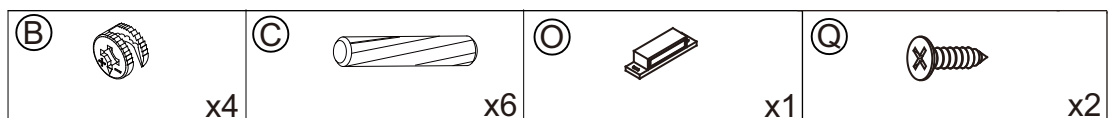
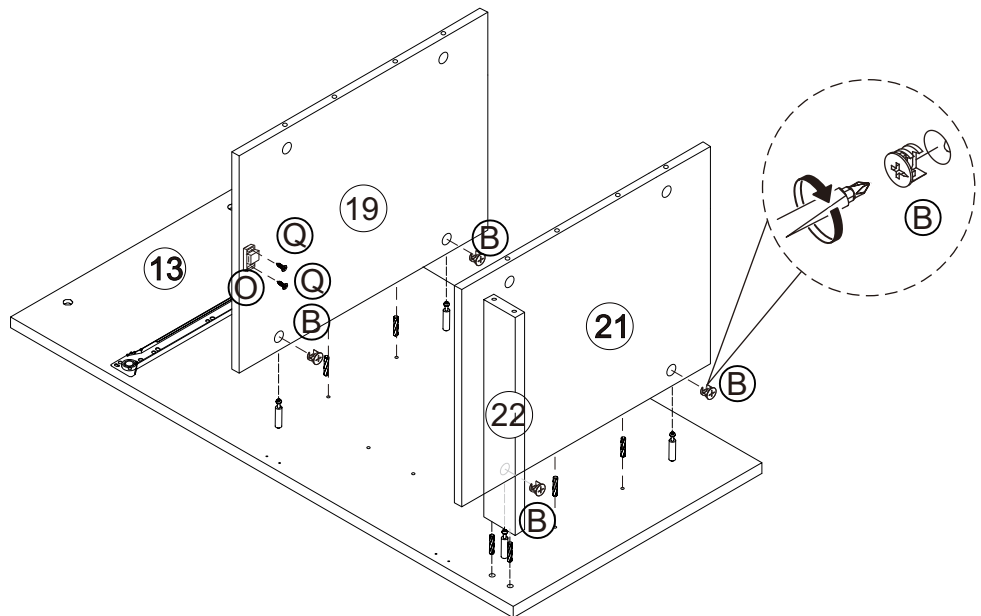


Assembly Instructions

Step 13

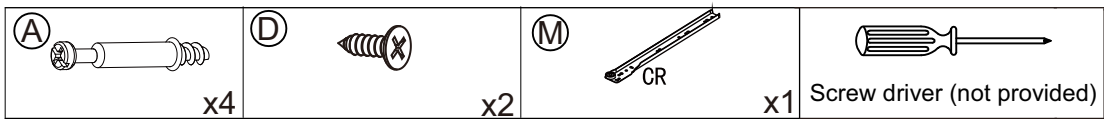
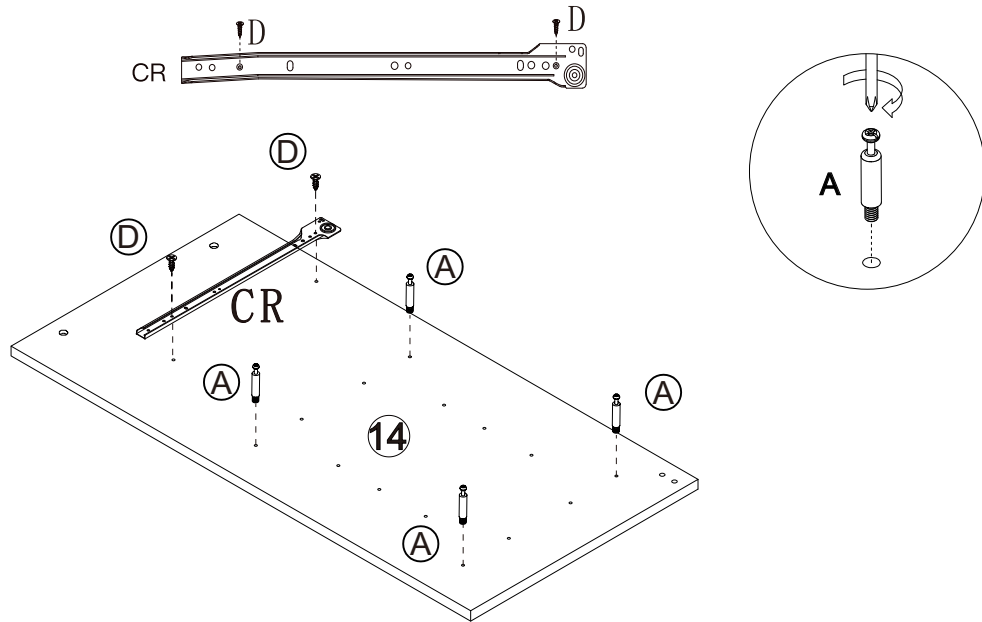


Step 14

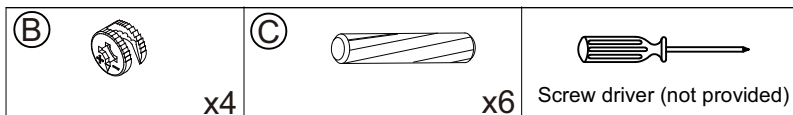
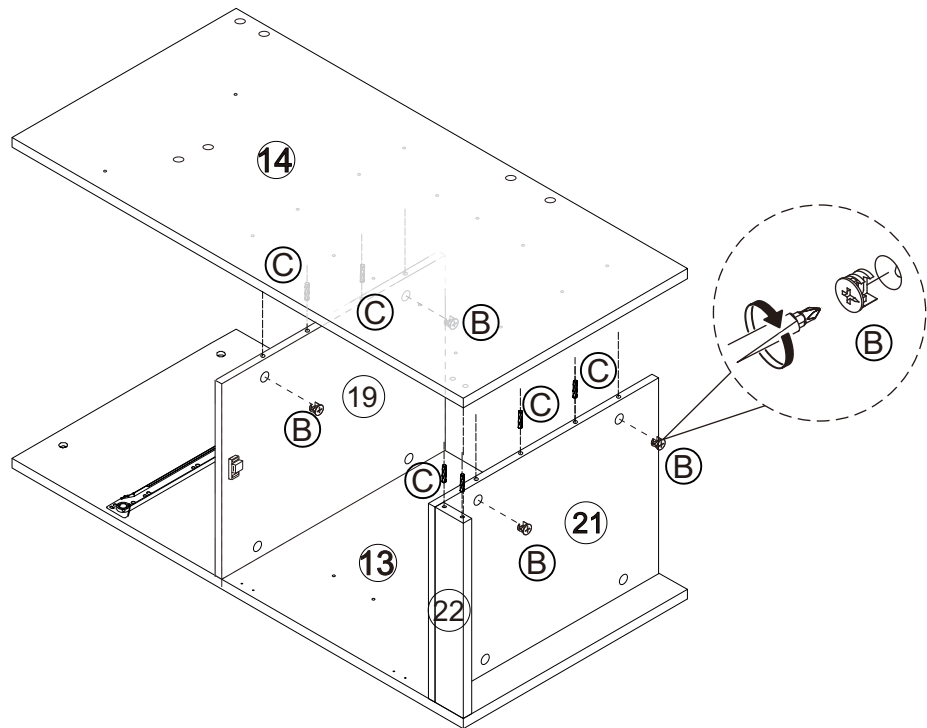


Assembly Instructions

Step 15

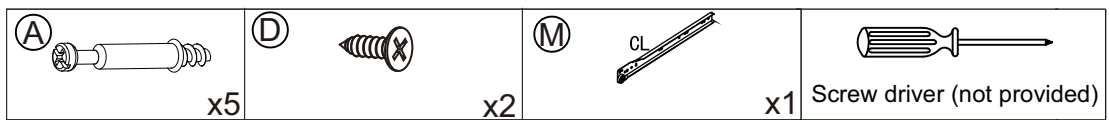
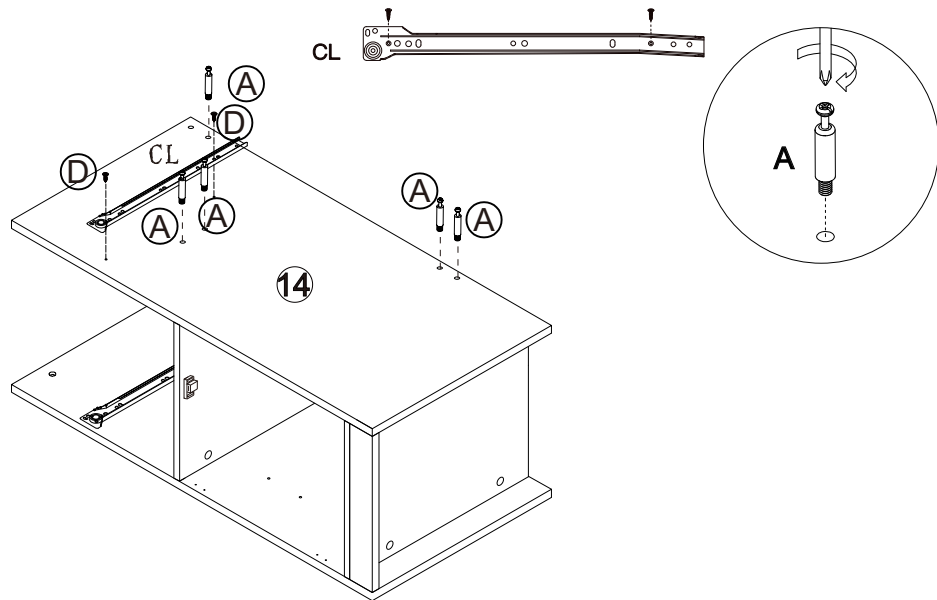


Step 16

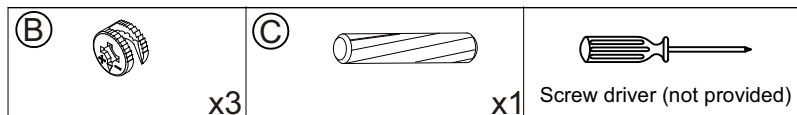
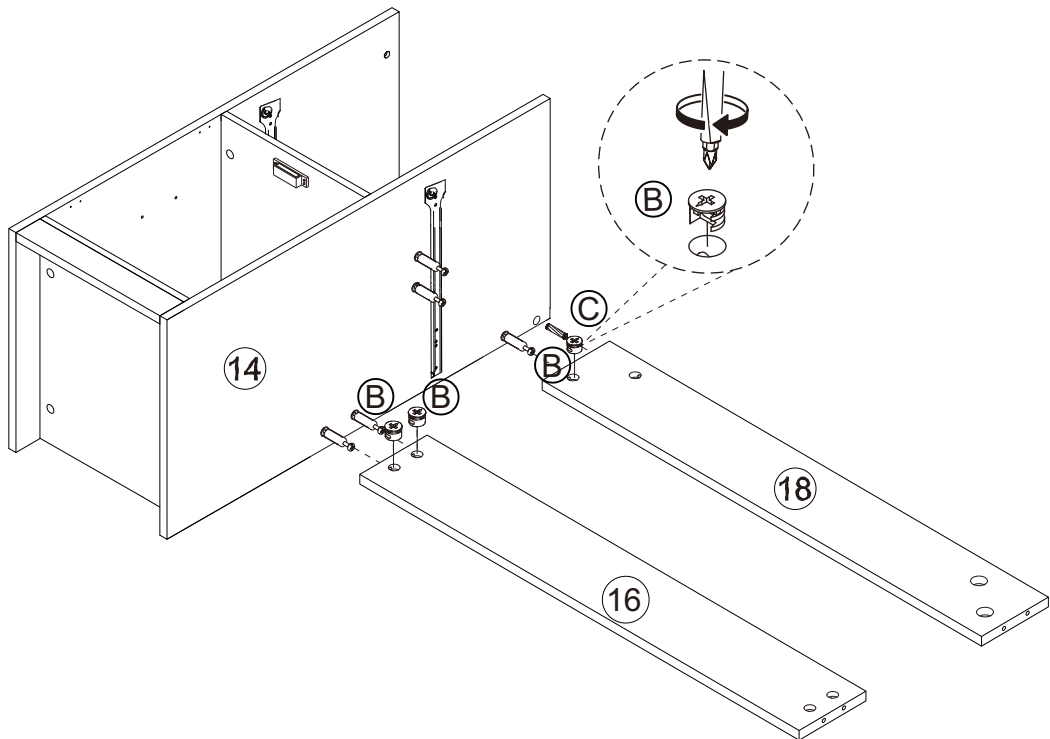


Assembly Instructions

Step 17

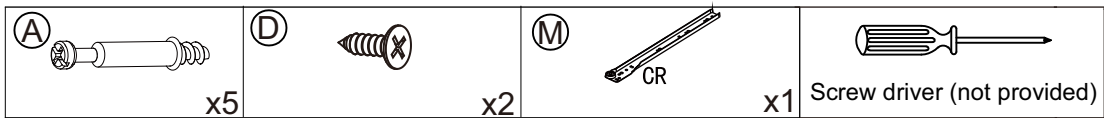
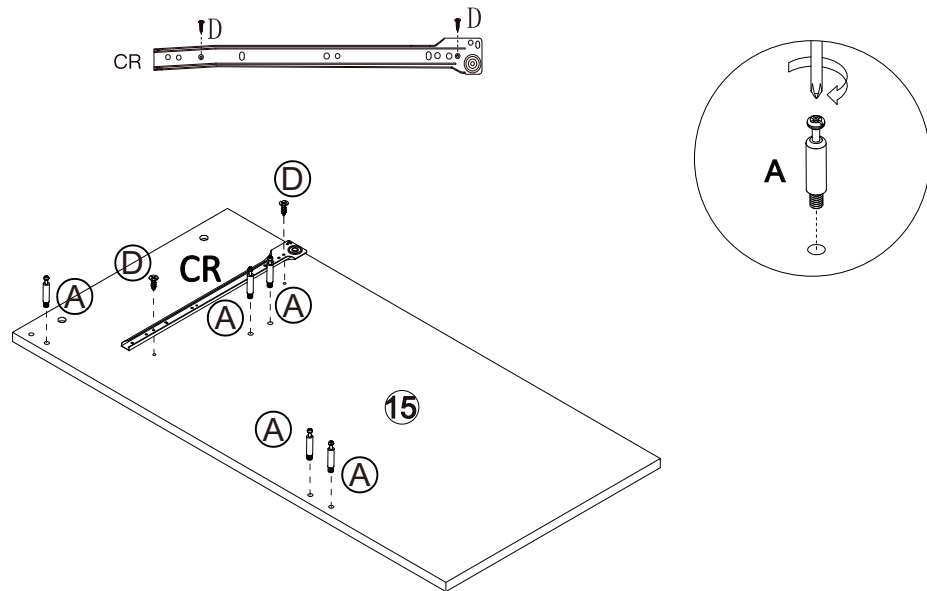


Step 18

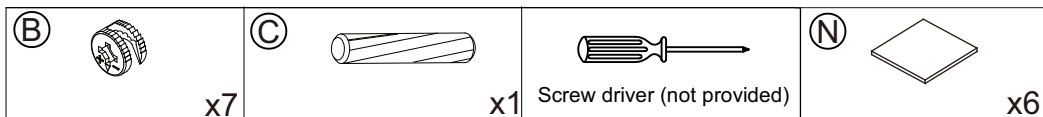
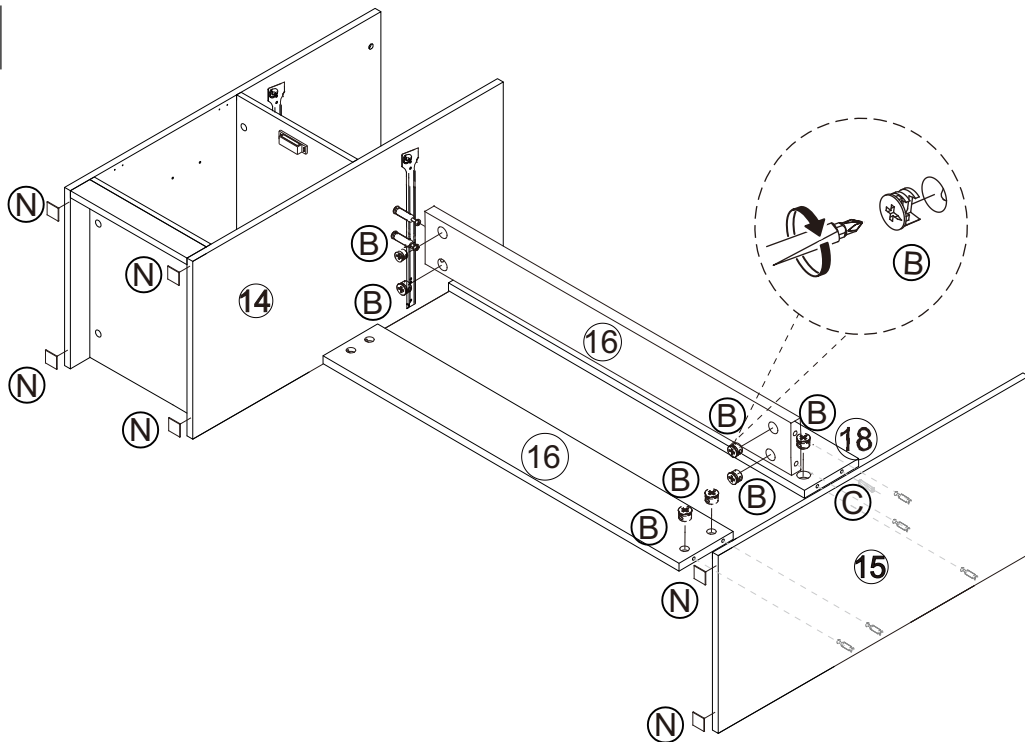


Assembly Instructions

Step 19

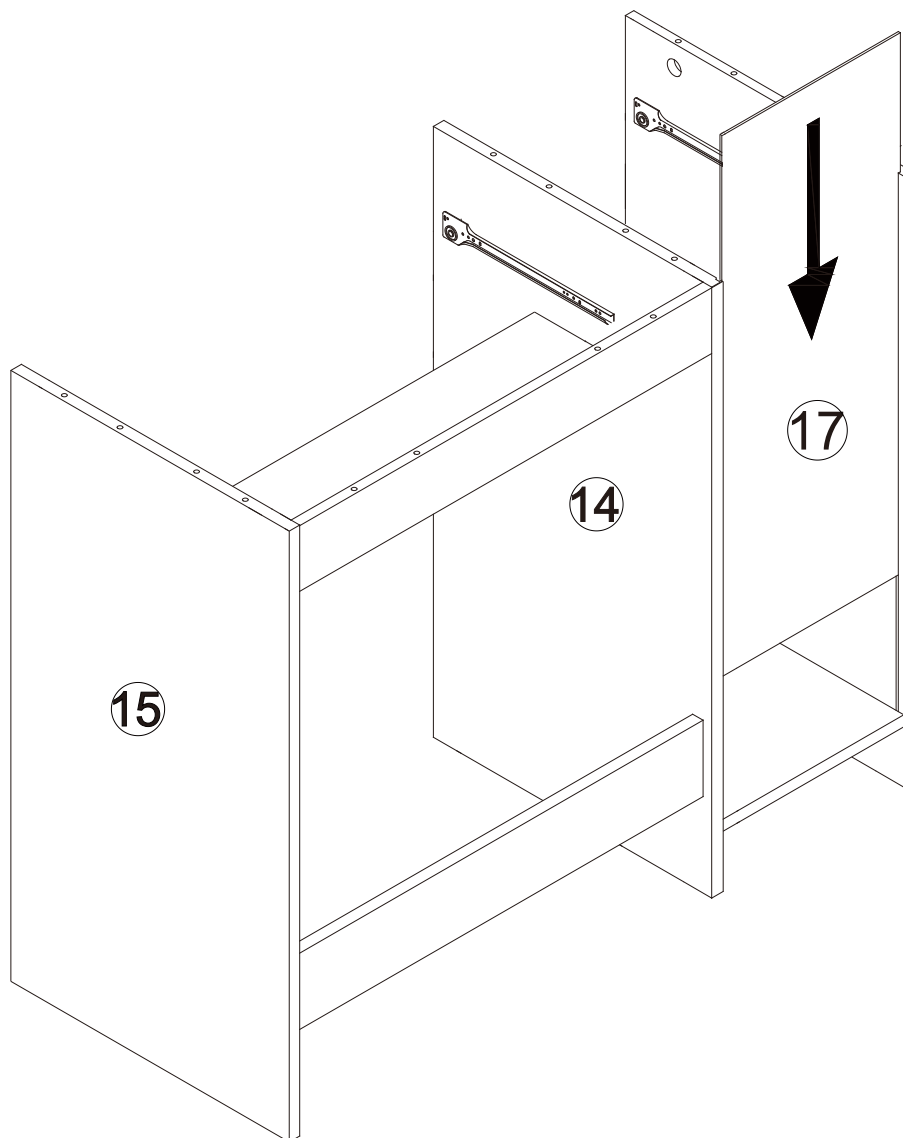


Step 20



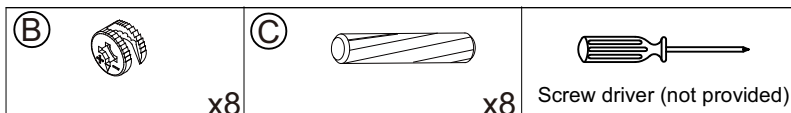
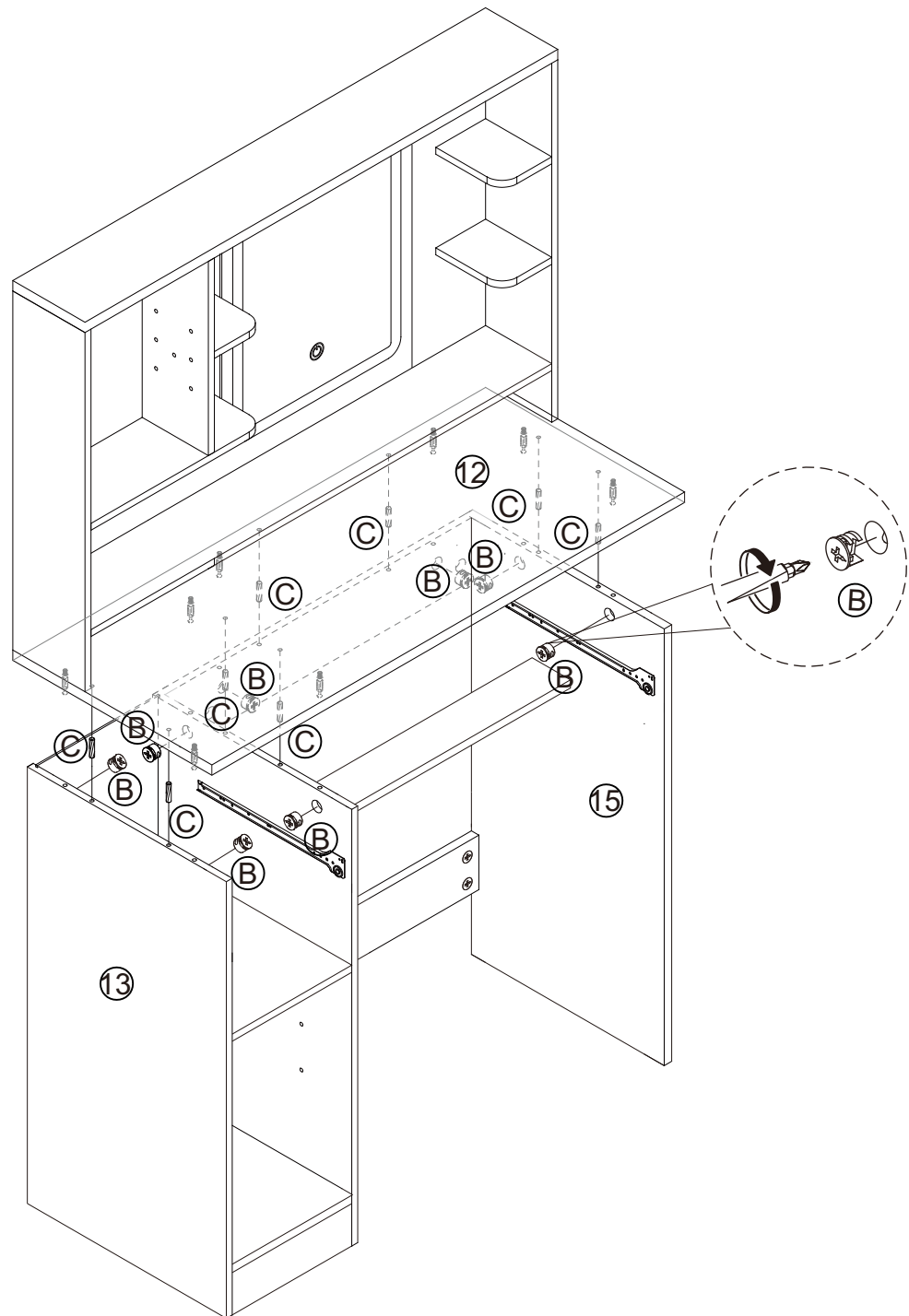
Assembly Instructions

Step 21



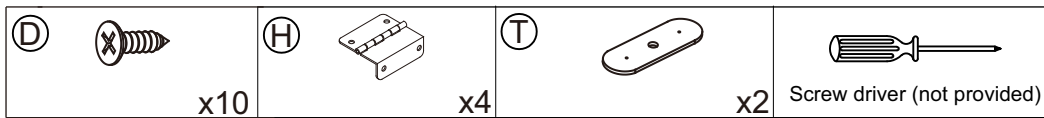
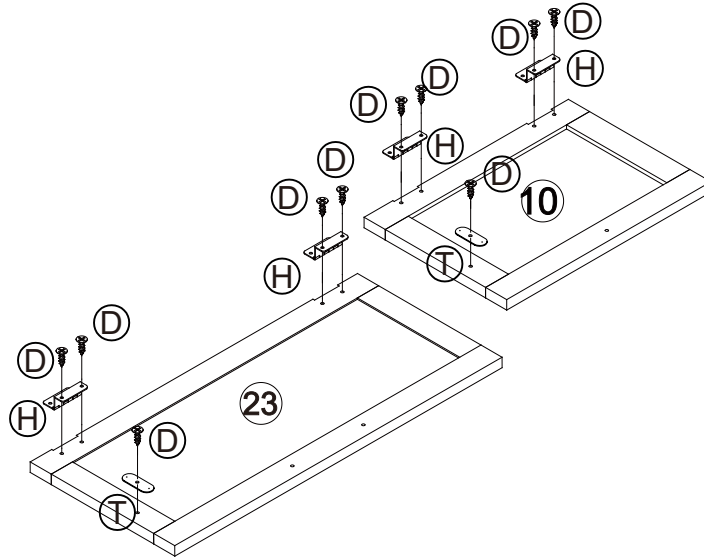
Assembly Instructions

Step 22

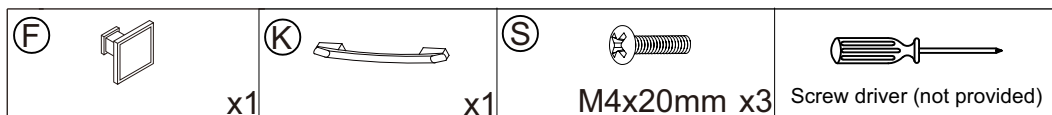
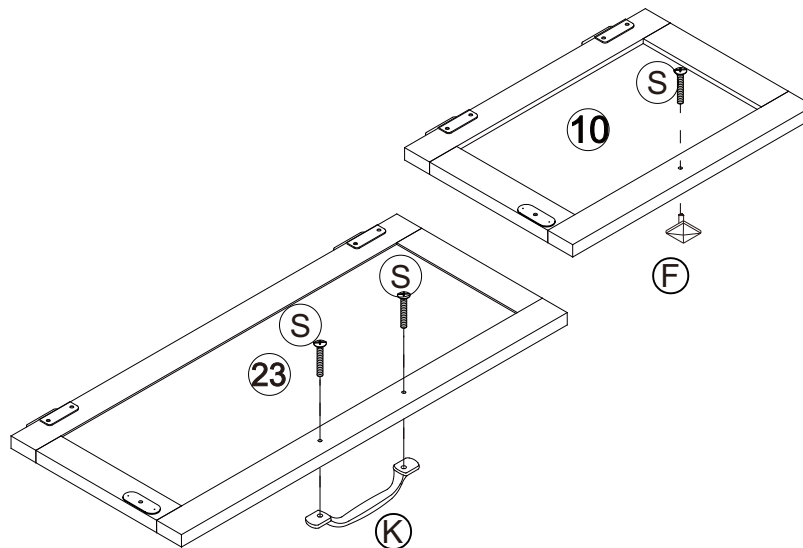


Assembly Instructions

Step 23

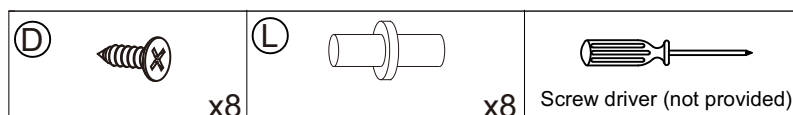
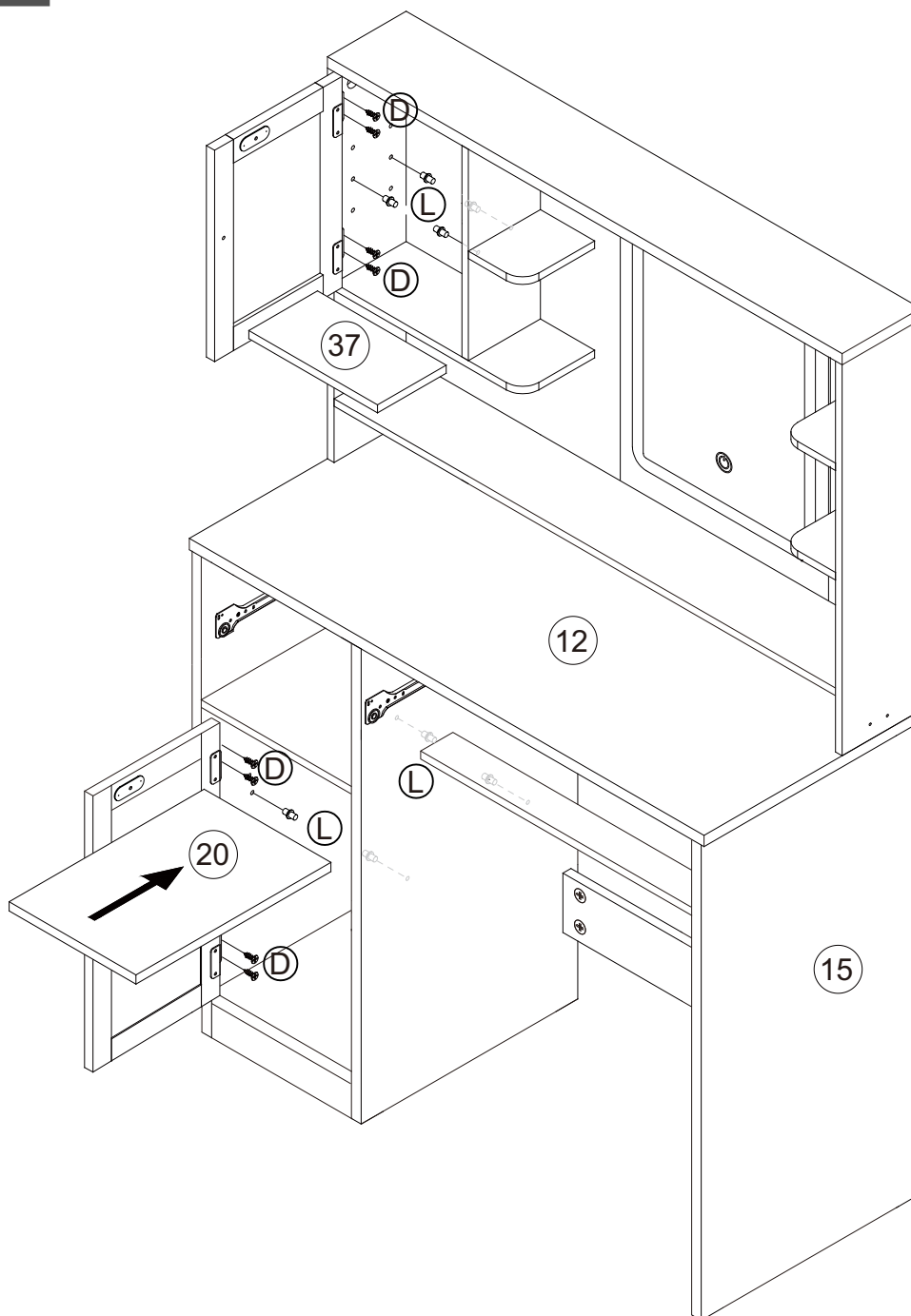


Step 24



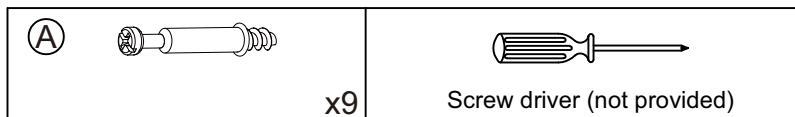
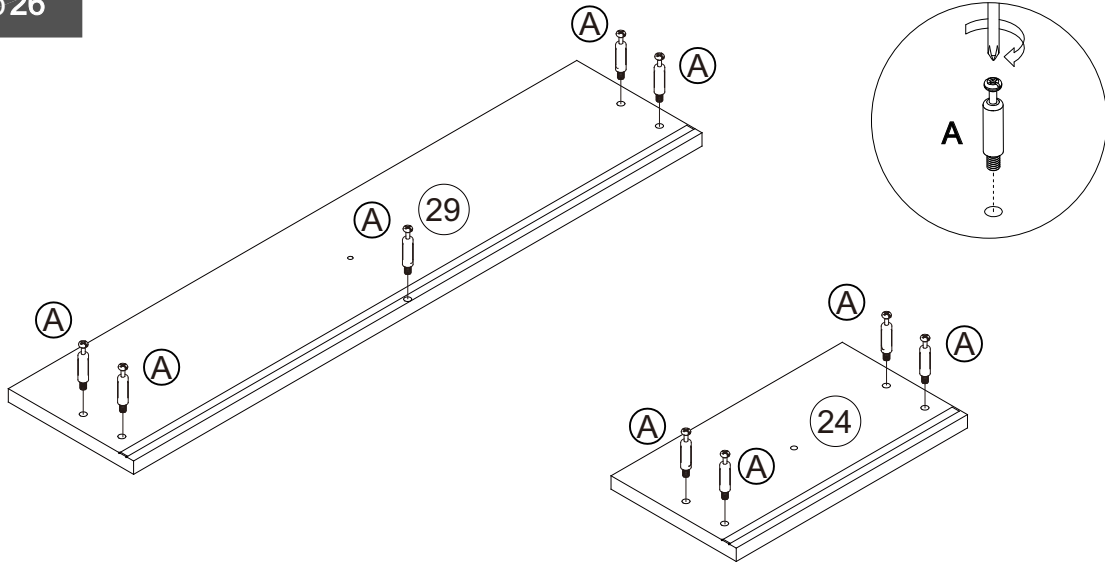
Assembly Instructions

Step 25

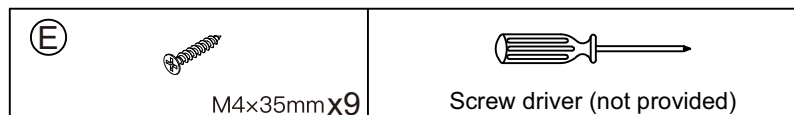
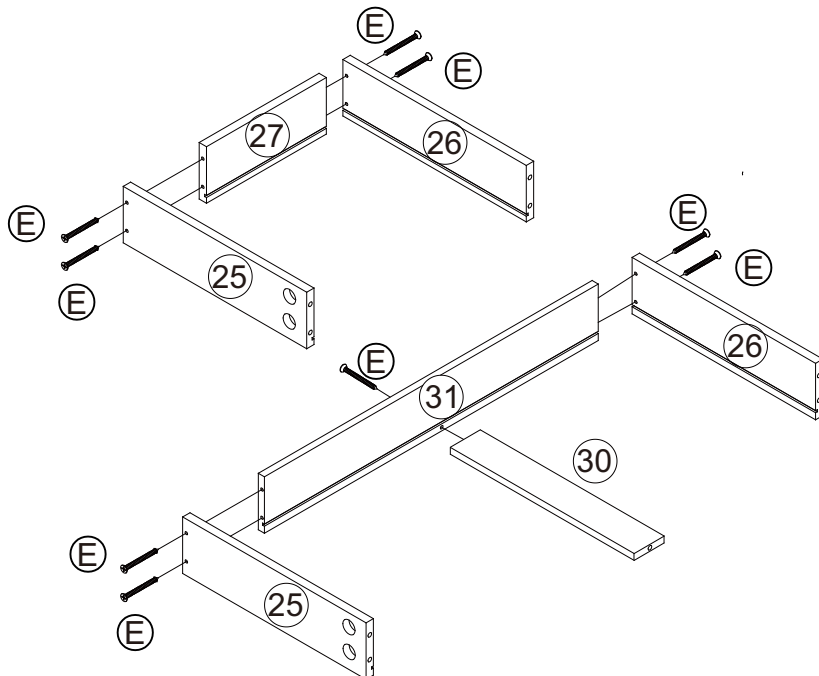


Assembly Instructions

Step 26

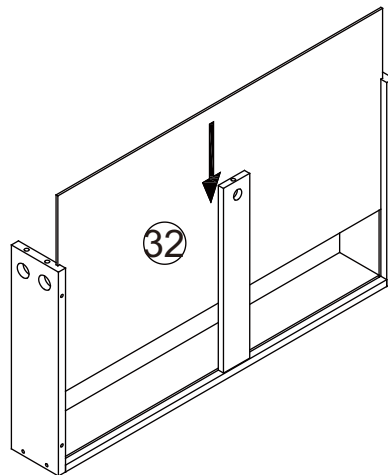
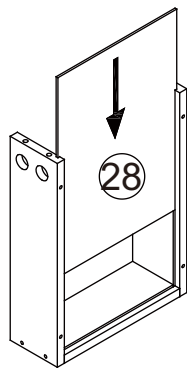


Step 27

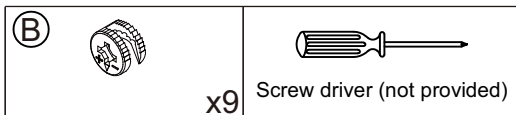
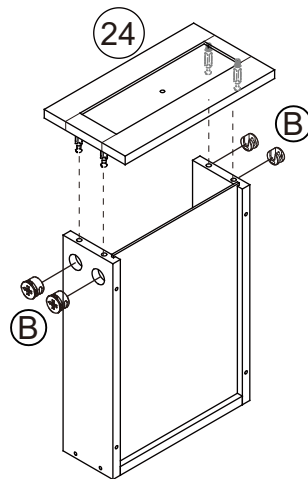
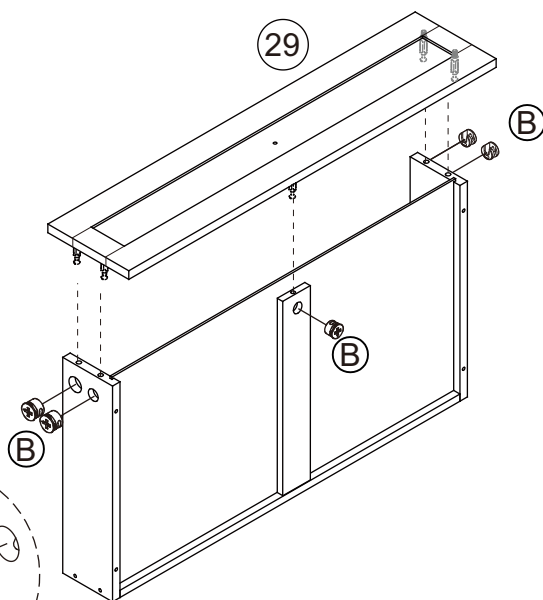


Assembly Instructions

Step 28

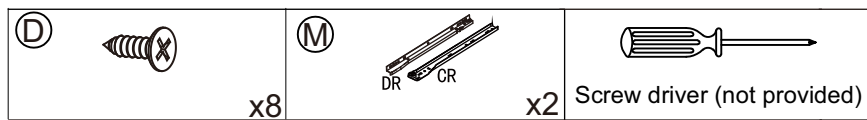
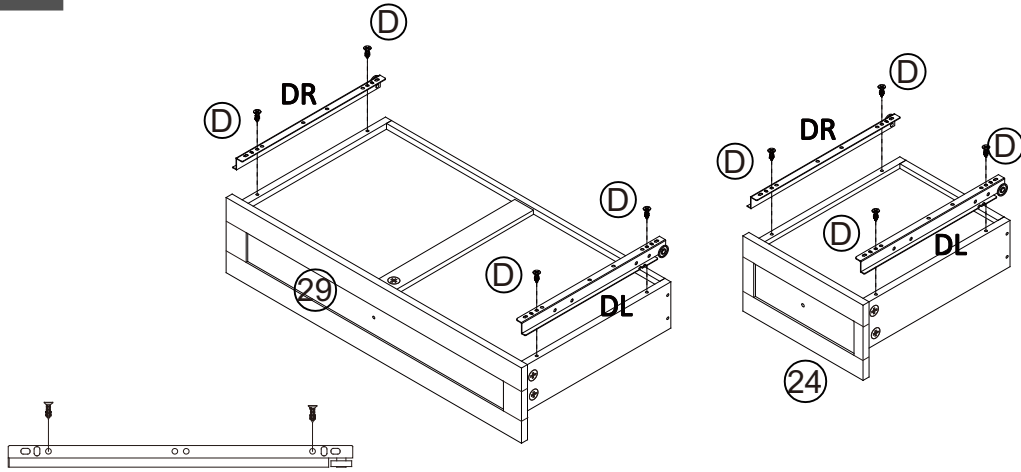


Step 29

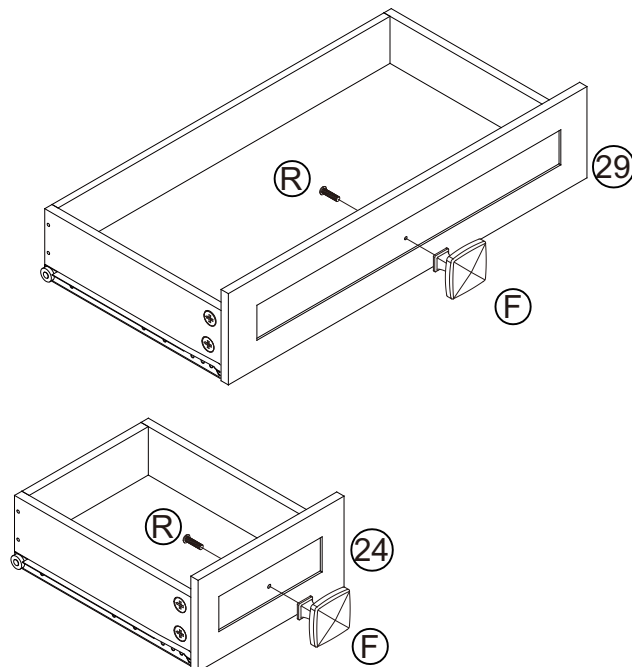


Assembly Instructions

Step 30

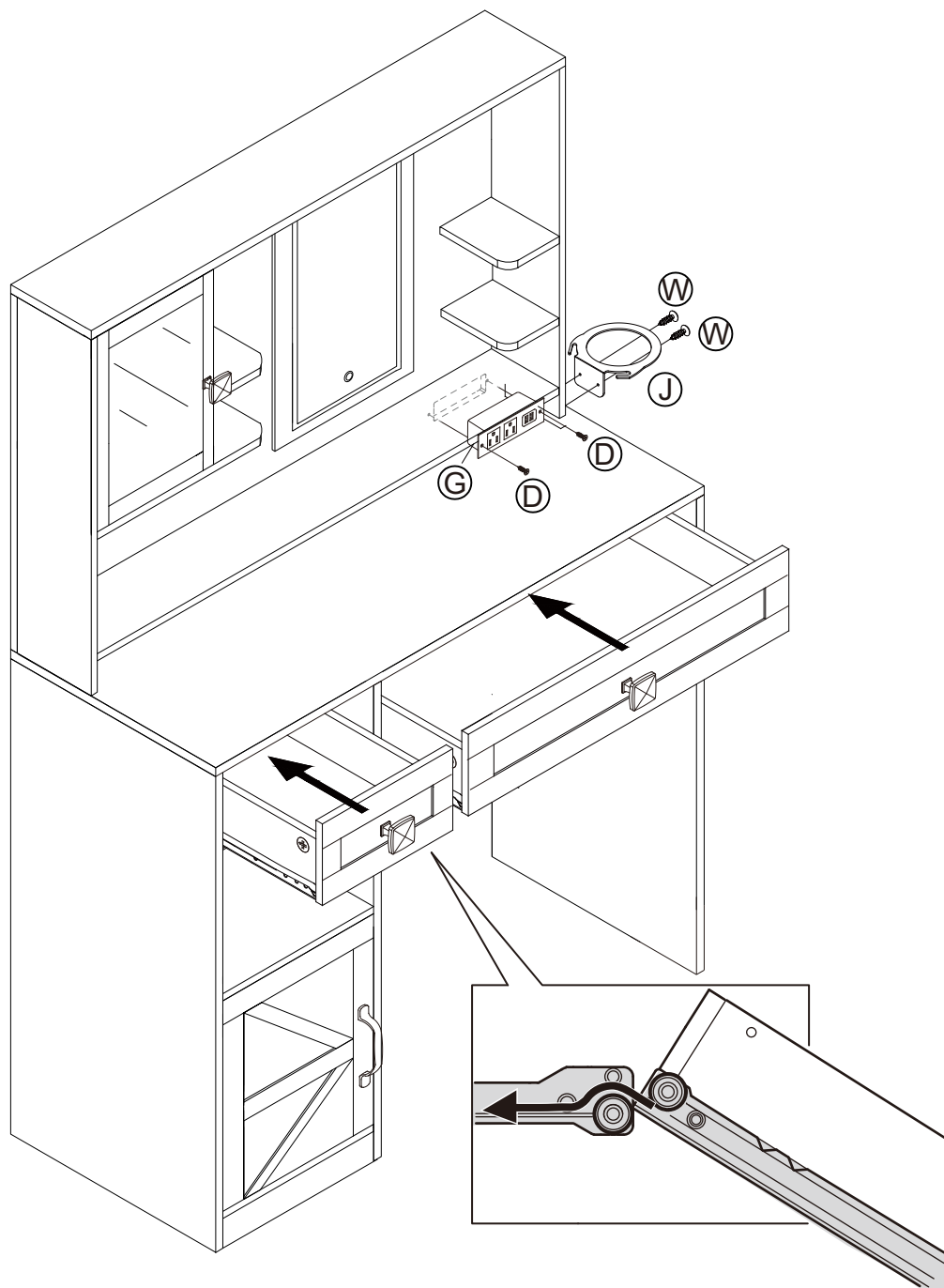











Step 31



Assembly Instructions

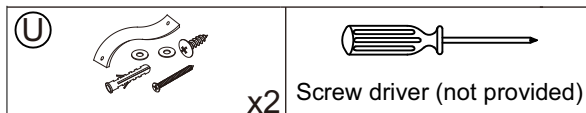
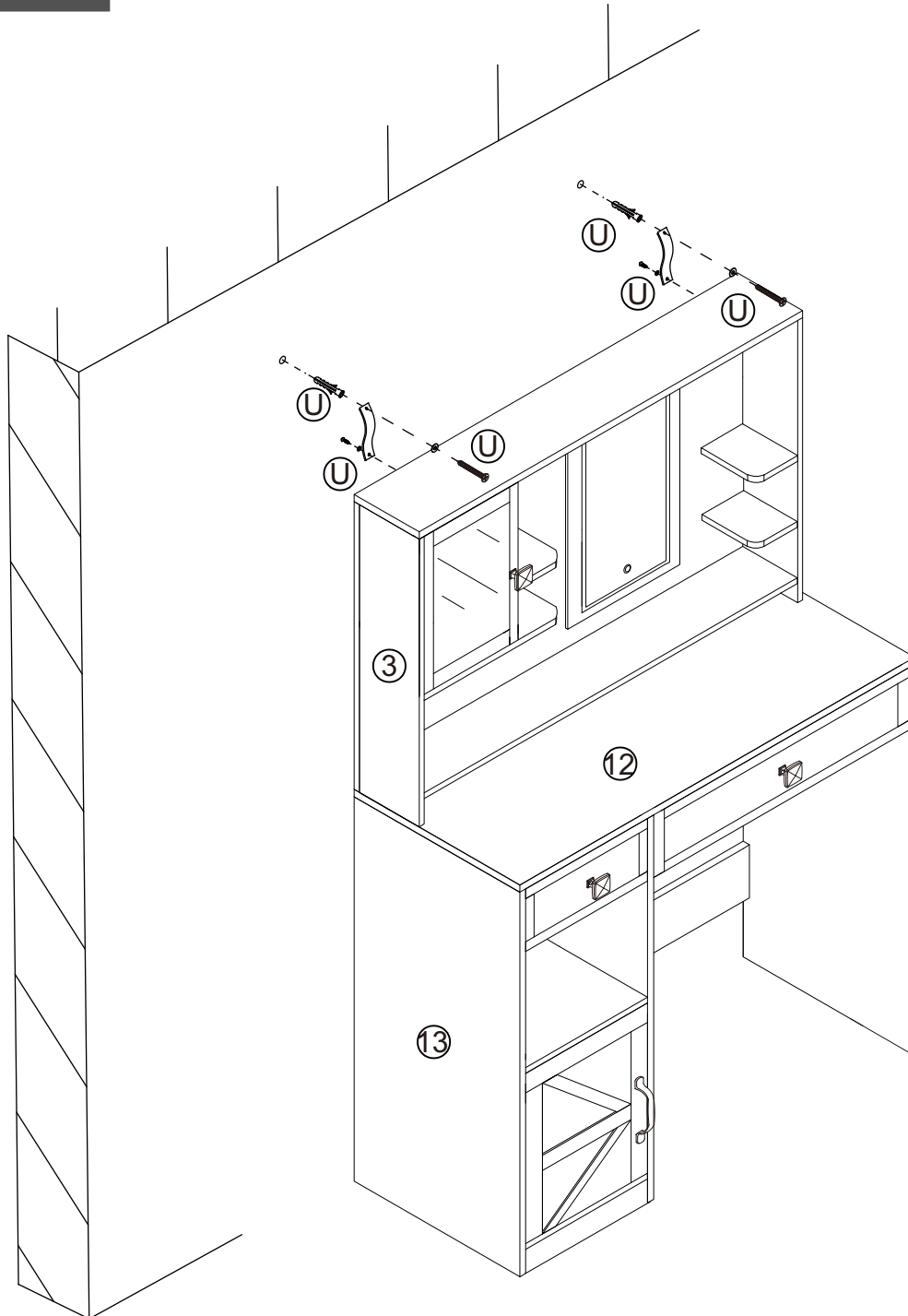
Step 32



 	 	 	 	
x2	x1	x1	x2	Screw driver (not provided)

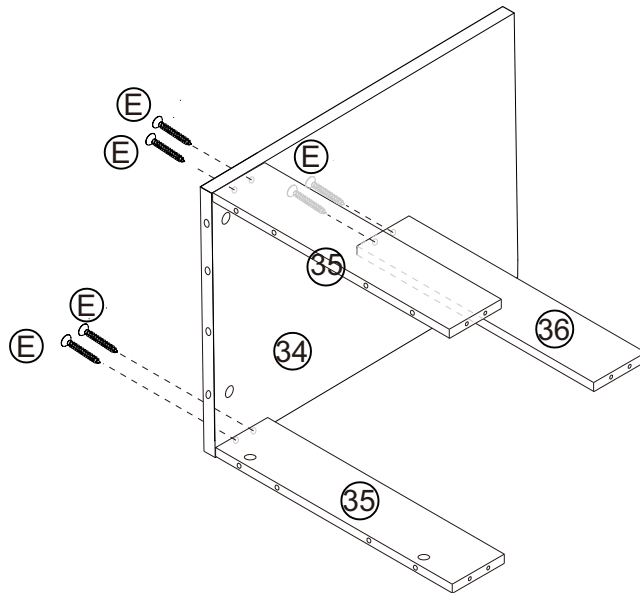
Assembly Instructions

Step 33



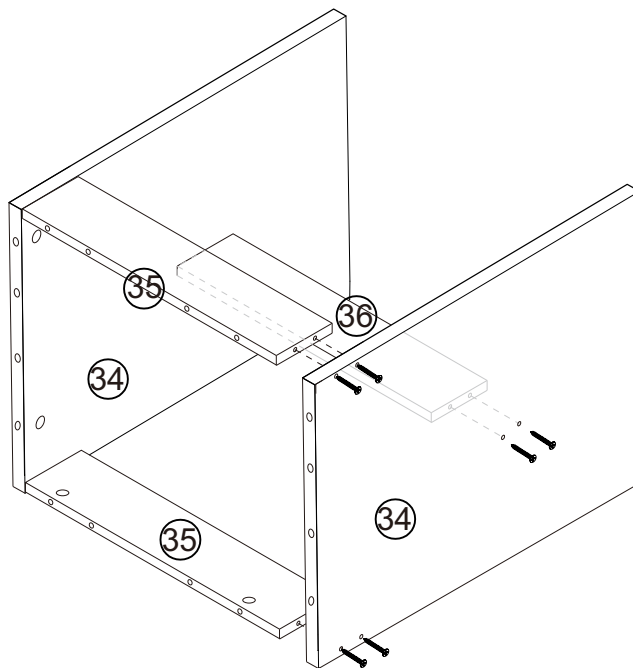
Assembly Instructions

Step 34



M4x35mm	x6	Screw driver (not provided)
---------	----	-----------------------------

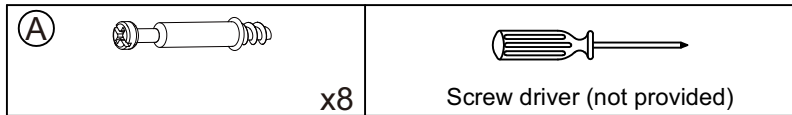
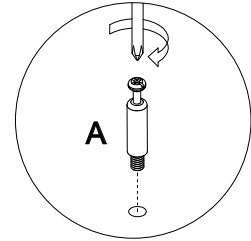
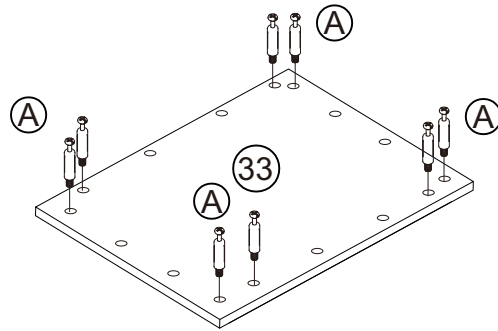
Step 35



M4x35mm	x6	Screw driver (not provided)
---------	----	-----------------------------

Assembly Instructions

Step 36



Step 37

