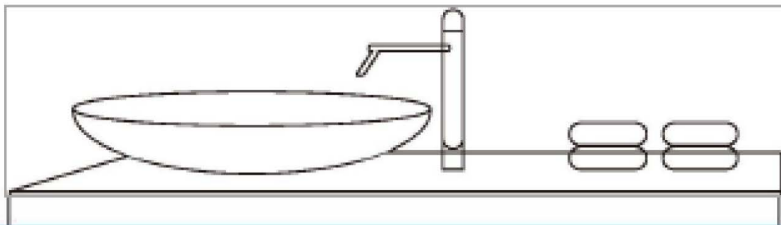
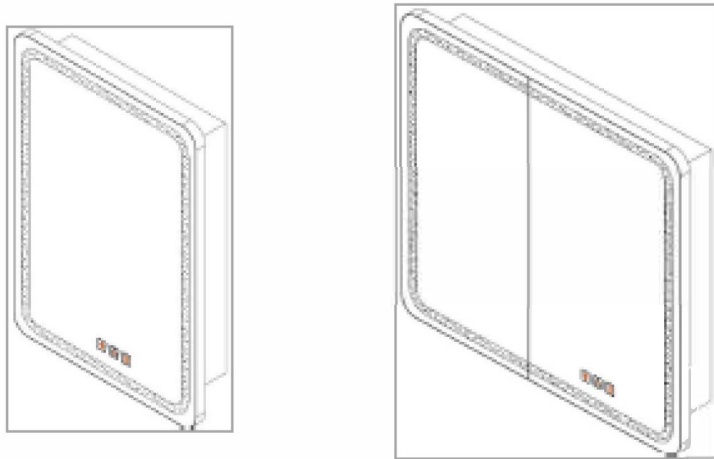
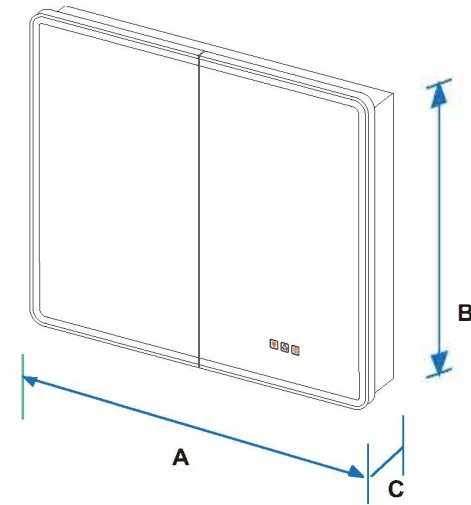


Installation Manual

Flow-Light Medicine Cabinet with Mirror



PRODUCT SPECIFICATIONS



A - Width
B - Height
C - Depth

Unit: Inch

A	B	C
20	28	5.1
20	28	5.1
36	32	5.1
32	30	5.1

Note: Dimensions are nominal; subject to minor variations.

IMPORTANT SAFETY WARNINGS

Failure to follow safety precautions may result in fire, electric shock, or injury.

⚠ DANGER: ELECTRICAL HAZARD

Connect ONLY to a 120V AC, 20A GFCI-protected circuit.
Power MUST be shut off at breaker before wiring.
All electrical work MUST be performed by a licensed electrician.

⚠ WARNING

Use ONLY for indoor residential bathrooms. Do not install outdoors.
Never insert objects into electrical components.
Do not use attachments not specified by the manufacturer.

⚠ GROUNDING REQUIREMENT

Must connect to a grounded metal wiring system.
Equipment-grounding conductor MUST be connected to the green grounding terminal.

ELECTRICAL CONNECTION GUIDE

ALL WIRING SHOULD BE DONE BY A QUALIFIED LICENCED ELECTRICIAN.

⚠ WARNING: Shut off power before wiring.
Requires 120 VAC 20 Amp GFI protected Circuit.

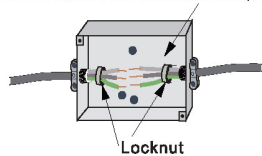
GROUNDING INSTRUCTIONS:

⚠ CAUTION: This product must be connected to a grounded metal permanent wiring system or an equipment-grounding conductor must be run with the circuit conductors and connected to the equipment grounding terminal or lead on the product.

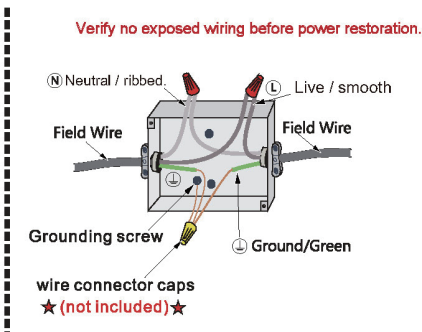
⚠ Critical Compliance: Install GFCI protection as required by U.S. National Electrical Code (NEC) for bathroom locations.

Wiring Procedure:

Neutral (White/Ribbed) → Ribbed wire
Live (Black/Smooth) → Smooth wire
Ground (Green/Bare) → Green terminal screw
Secure connections with wire connector caps (not included)



At junction box (not included)



①

TOOLS & HARDWARE REQUIRED (Not Included with Product)



Hardware Provided

ITEM	IMAGE	NAME
1		Mounting Screws
2		Wall Anchors
3		Z-Bar
4		Light-Blocking Hole Plugs

PRE-INSTALLATION NOTES

Unpacking:

1. Place cabinet on padded surface to prevent corner damage.
2. Do NOT place directly on tile/concrete.

Wall Preparation:

1. Use stud finder to avoid drilling into pipes/wires.
2. Confirm wall is non-load-bearing if stud removal is needed.

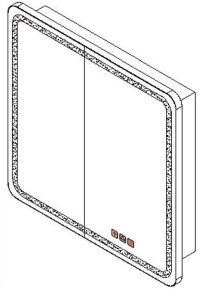
Power Verification:

1. Ensure circuit breaker is OFF before wiring.

②

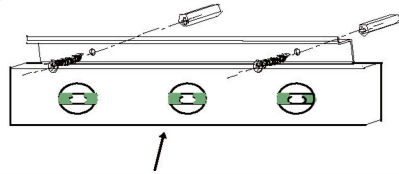
SURFACE MOUNT INSTRUCTIONS

Step 1



Step 2 Mark Positions

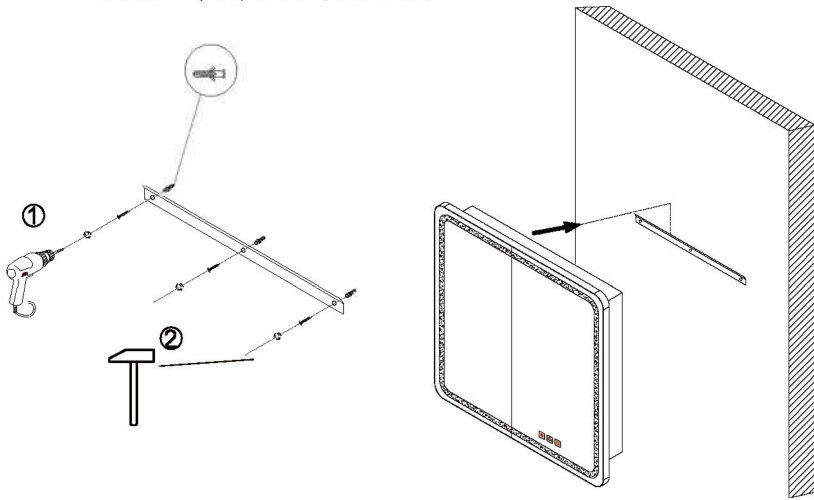
Measure and mark mounting holes on wall.



Draw a level horizontal line between marks.

Step 3 Drill Holes

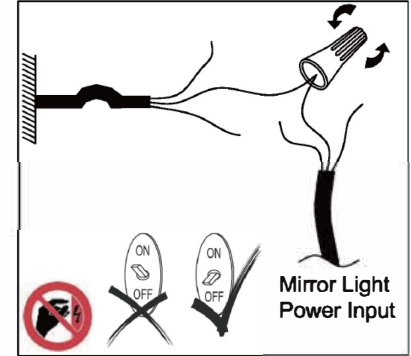
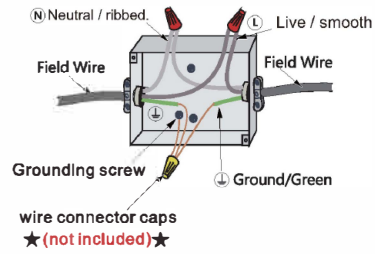
Drill with 1/4" (6mm) bit, insert plastic anchors.



3

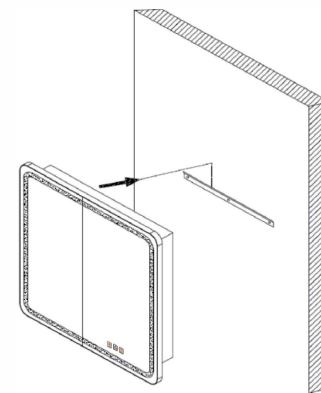
Step 4 Electrical Connection

Connect wires per Electrical Connection Guide.

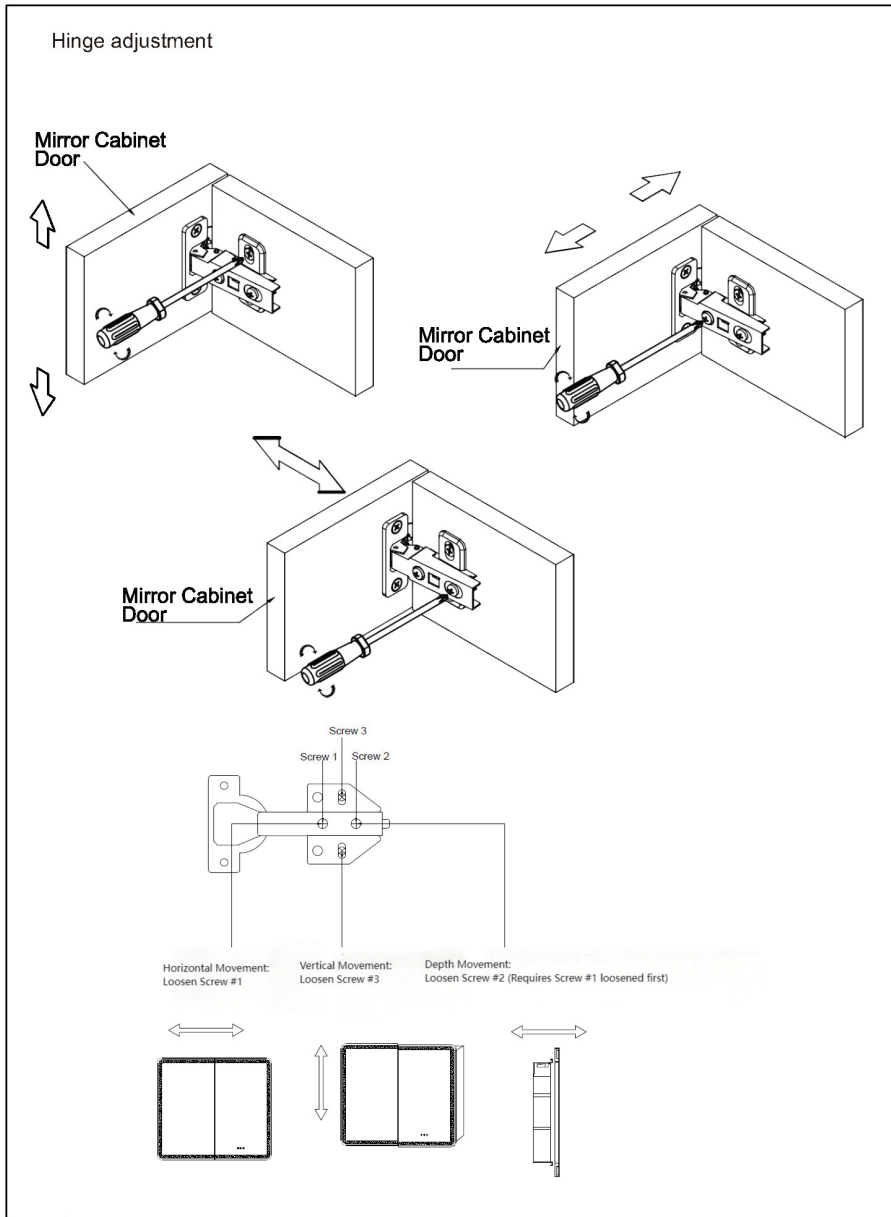


Step 5 Mount Cabinet

Align cabinet back with wall anchors. Secure downward until fully seated.



4



5

RECESS MOUNT INSTRUCTIONS

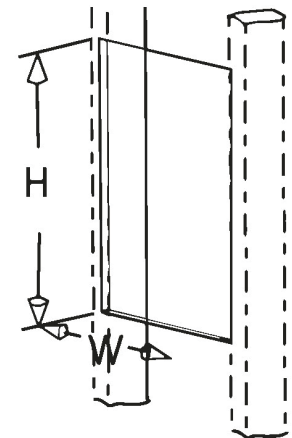
NOTE: Rough opening is not an exact measurement. The extra space allows cabinet to be inserted into the opening. Add shims to level and tighten space if necessary. Additional framing might be required.

Rough Opening Dimensions

Cabinet Size	Rough opening
16 in.(W)x 28 in.(H)x 5.3 in.(D)	15 in.(W)x 22 in.(H)x 3.7 in.(D)
20 in.(W)x 28 in.(H)x 5.3 in.(D)	19 in.(W)x 22 in.(H)x 3.7 in.(D)
36 in.(W)x 32 in.(H)x 5.3 in.(D)	34.9 in.(W)x 26.1in.(H)x 3.7in.(D)
32 in.(W)x 30 in.(H)x 5.3 in.(D)	31 in.(W)x 24.1 in.(H)x 3.7 in.(D)

Step 1 Prepare Opening

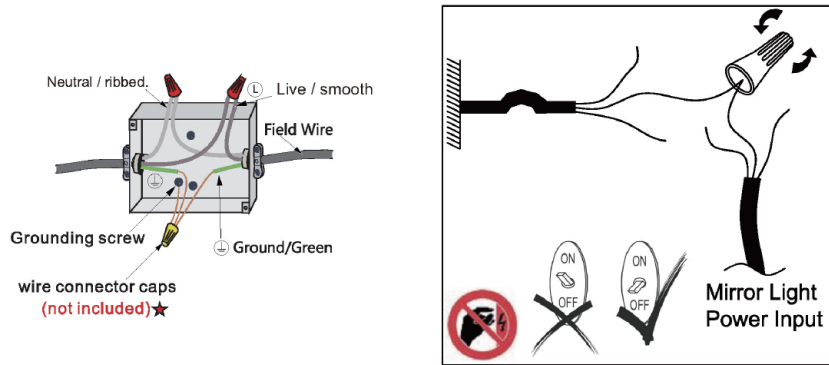
Cut opening with 2" min. clearance above faucet.
Add framing support if needed.



6

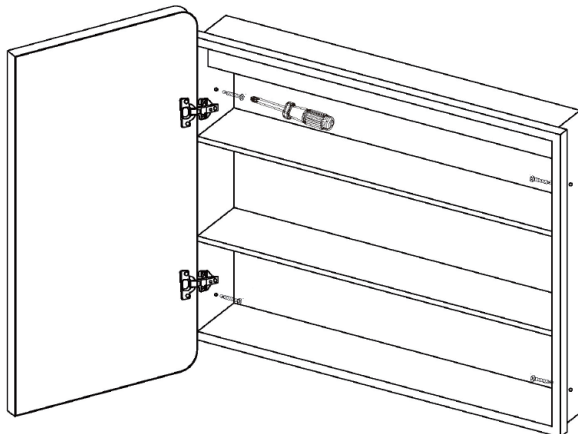
OPERATION GUIDE--Touch Control Functions

Step 2 Connect wires per Electrical Connection Guide.

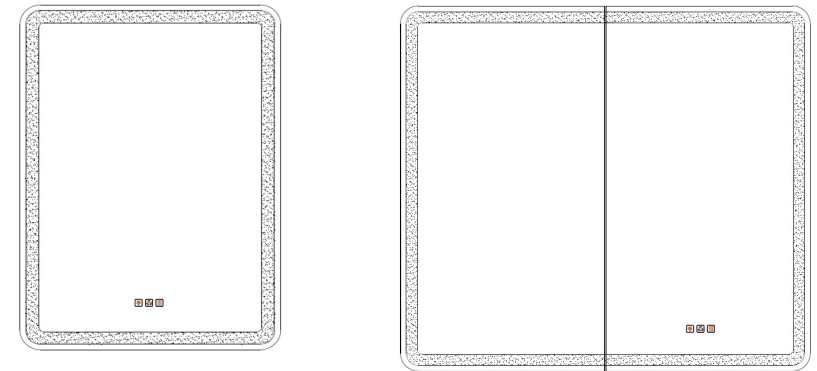


Step 3 Secure Cabinet

- Insert cabinet into opening.
- Ensure flange uniformly covers wall edges.
- Fasten to wall studs with mounting screws.
- Verify cabinet is perfectly level.



7



Short press: Toggle ON/OFF (Blue=Off, White=On).
Frosted area illuminates with flowing light when activated.



Color temperature:
Short press to adjust color temperature (3000K → 4500K → 6500K).
Dimmable: Long press to adjust brightness by 10%~100%.

LED



Short press: Activate (White=On, auto-off after 1 hour).

8