









## CARE AND MAINTENANCE

Spot clean using a mild water-free solvent. Only a professional cleaner should undertake a complete overall cleaning.  
The use of steam or water-based cleaners may cause excessive shrinking or staining.

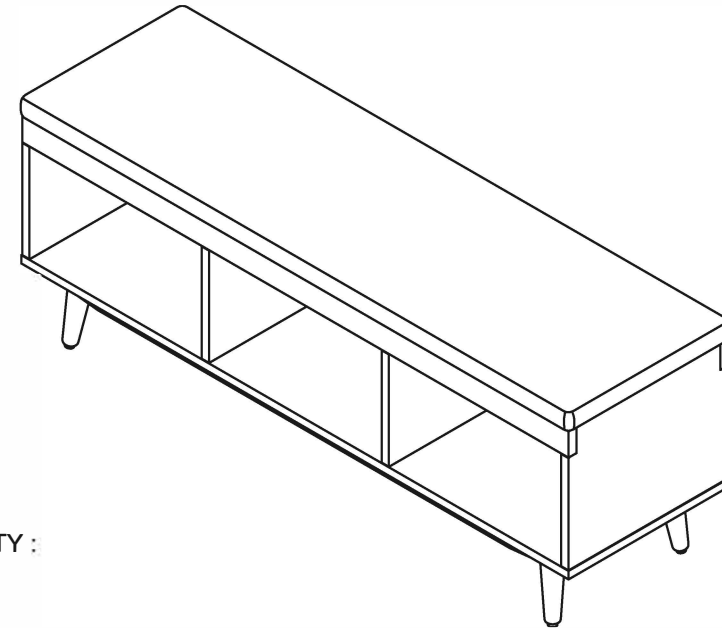
## NOTICE

- \* Please make sure that you have all parts indicated before you begin assembly of this item.
- \* This item should be assembled on a soft surface to prevent scratching the finish during assembly.
- \* This item may require periodic tightening.

## Part List and Hardware List







PIECE	DESCRIPTION	PICTURE	QUANTITY
A	SEAT ASSEMBLY		1X
B	LEFT PANEL		1X
C	RIGHT PANEL		1X
D	DIVIDER		2X
E	TOP FRAME		2X
F	BOTTOM FRAME		1X
G	BOTTOM ASSEMBLY		1X
H	LEG		5X

Product Dimensions: 47 5/8"W x 14"D x 18"H



WEIGHT CAPACITY :  
SEAT : 300 LBS  
SHELF : 40 LBS

**WARNING: DO NOT OVER TORQUE  
BOLTS/SCREWS**

PIECE	DESCRIPTION	PICTURE	QUANTITY
1	1 1/4" ROUND HEAD SCREW	M4x32mm 	15X
2	5/8" ROUND HEAD SCREW	M4x16mm 	8X
3	CAMBOLT		24X
4	CAMLOCK		24X
5	DOWEL		22X
6	SQUARE PLATE		4X

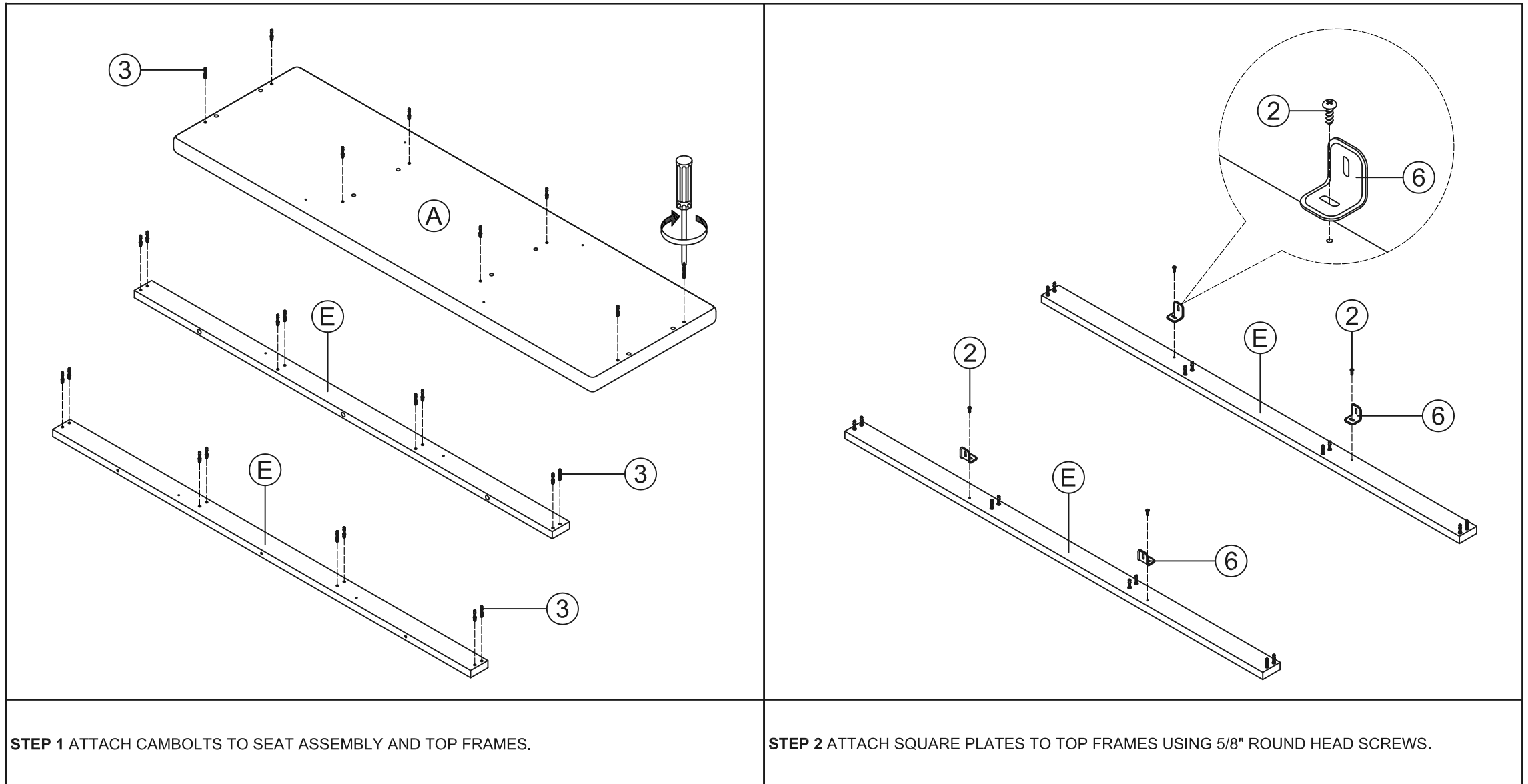
## PREPARATION

Before beginning assembly of product, make sure all parts are present. Compare parts with package contents list and hardware contents list.

If any part is missing or damaged, do not attempt to assemble the product.

Estimated Assembly Time: 60 minutes.

Tools Required for Assembly : Phillips Screwdriver



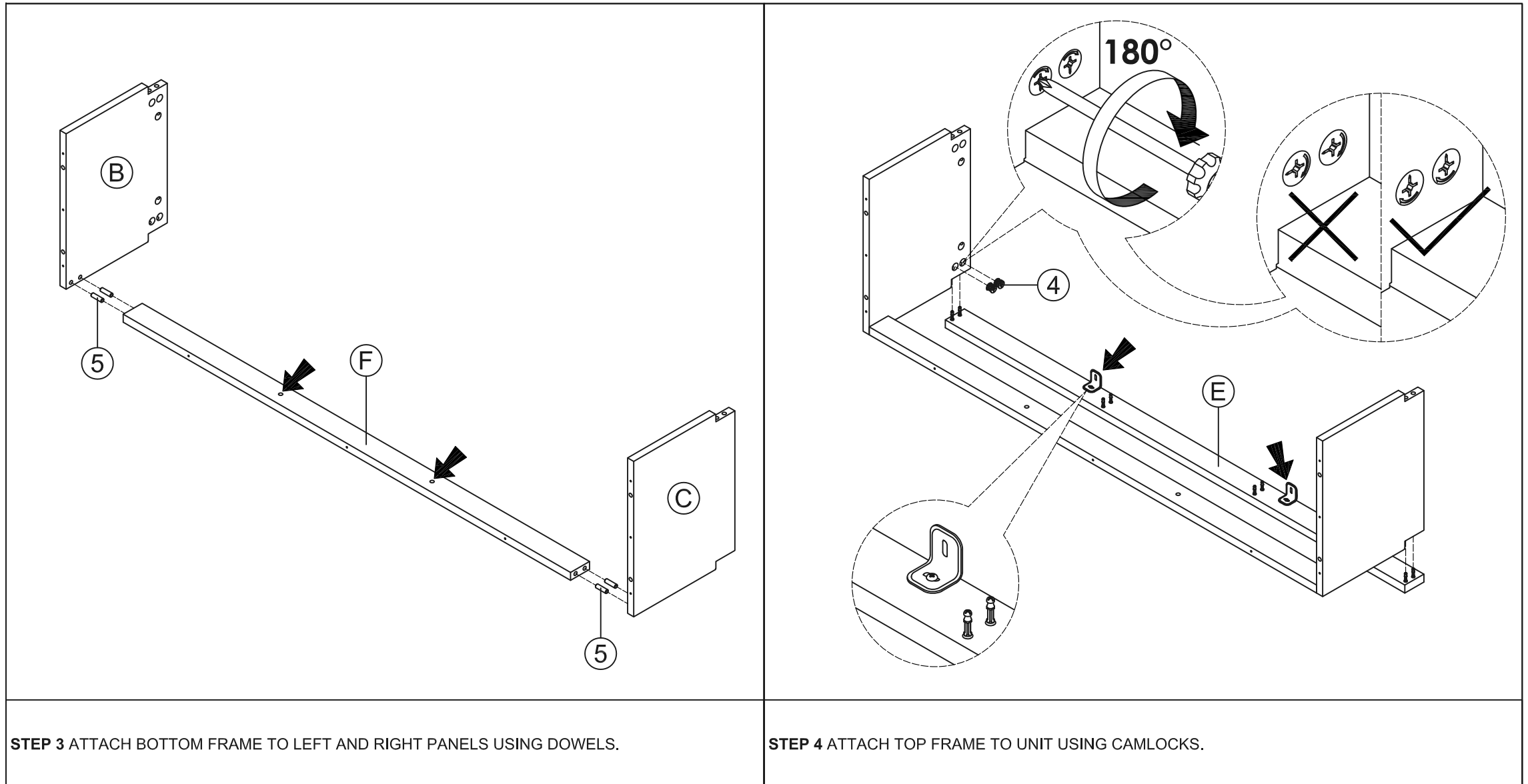
## PREPARATION

Before beginning assembly of product, make sure all parts are present. Compare parts with package contents list and hardware contents list.

If any part is missing or damaged, do not attempt to assemble the product.

Estimated Assembly Time: 60 minutes.

Tools Required for Assembly : Phillips Screwdriver



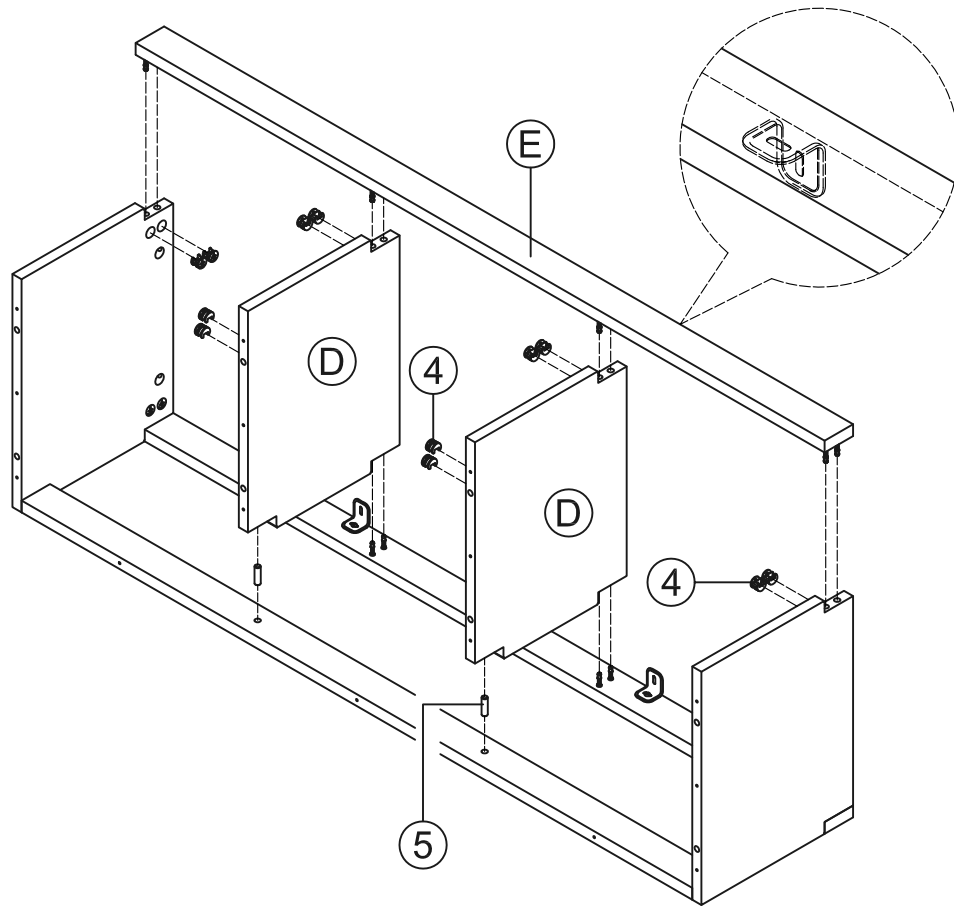
## PREPARATION

Before beginning assembly of product, make sure all parts are present. Compare parts with package contents list and hardware contents list.

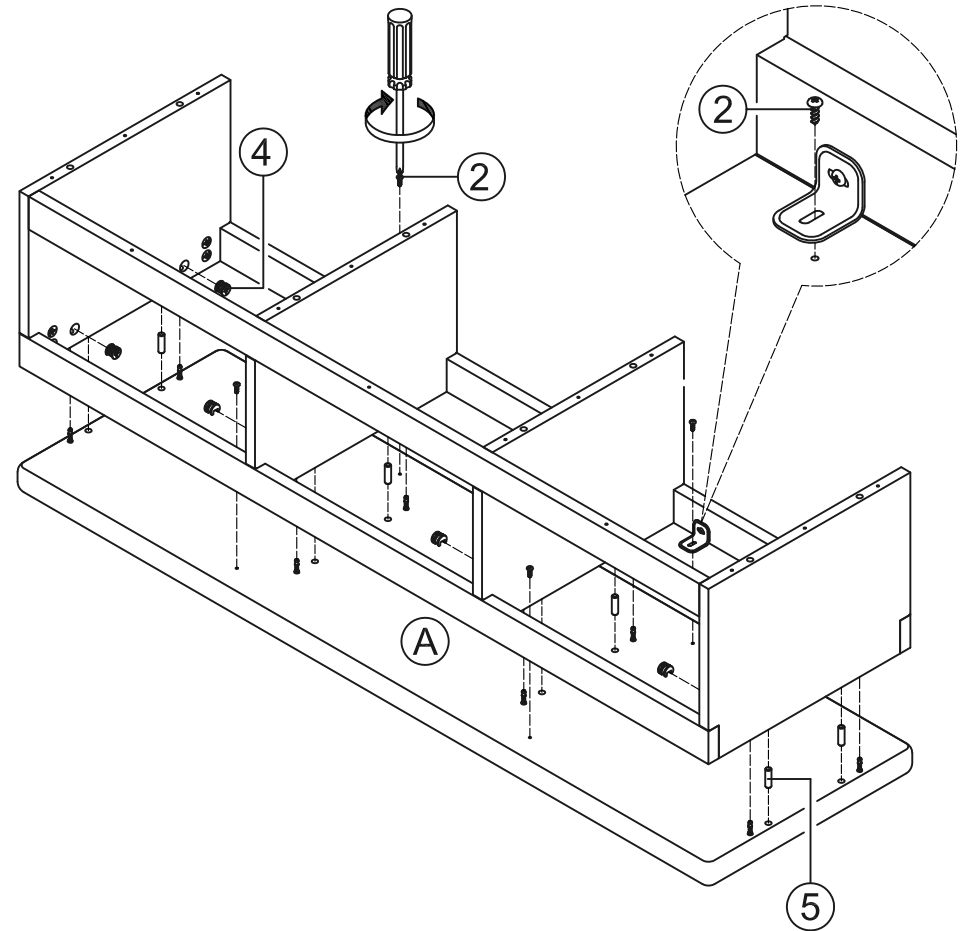
If any part is missing or damaged, do not attempt to assemble the product.

Estimated Assembly Time: 60 minutes.

Tools Required for Assembly : Phillips Screwdriver



**STEP 5** ATTACH DIVIDERS TO UNIT USING CAMLOCKS AND DOWELS.  
ATTACH TOP FRAME TO UNIT USING CAMLOCKS.



**STEP 6** ATTACH UNIT TO SEAT ASSEMBLY USING CAMLOCKS, DOWELS AND  
5/8" ROUND HEAD SCREWS.

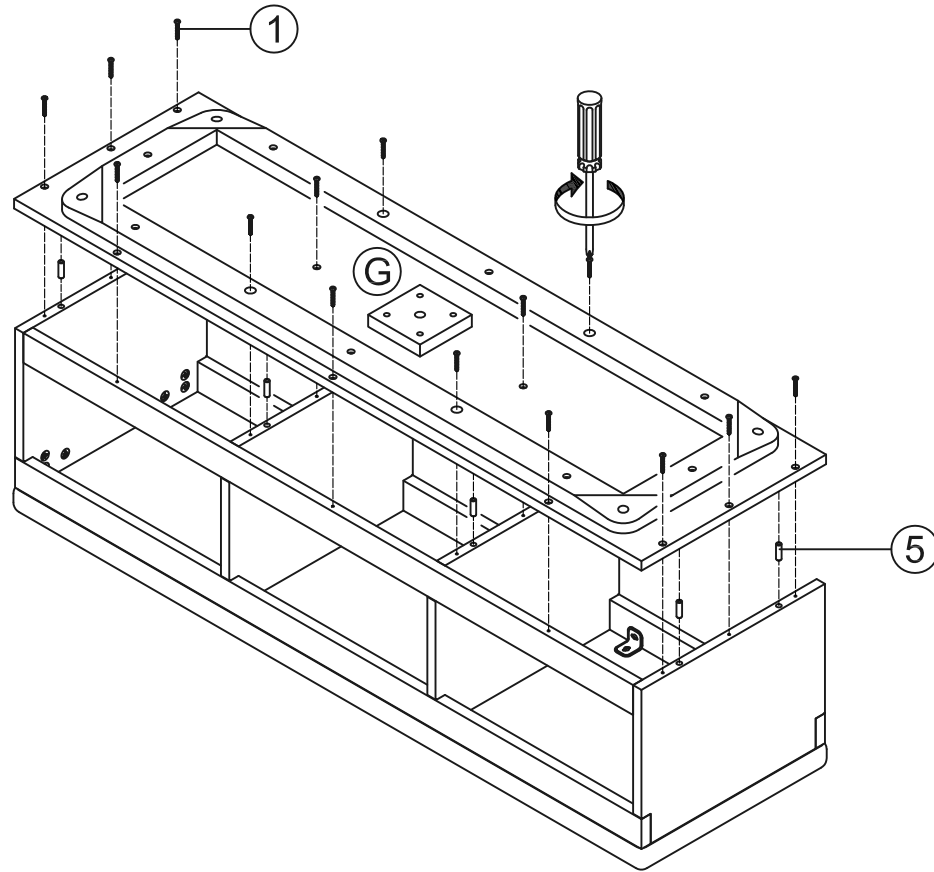
## PREPARATION

Before beginning assembly of product, make sure all parts are present. Compare parts with package contents list and hardware contents list.

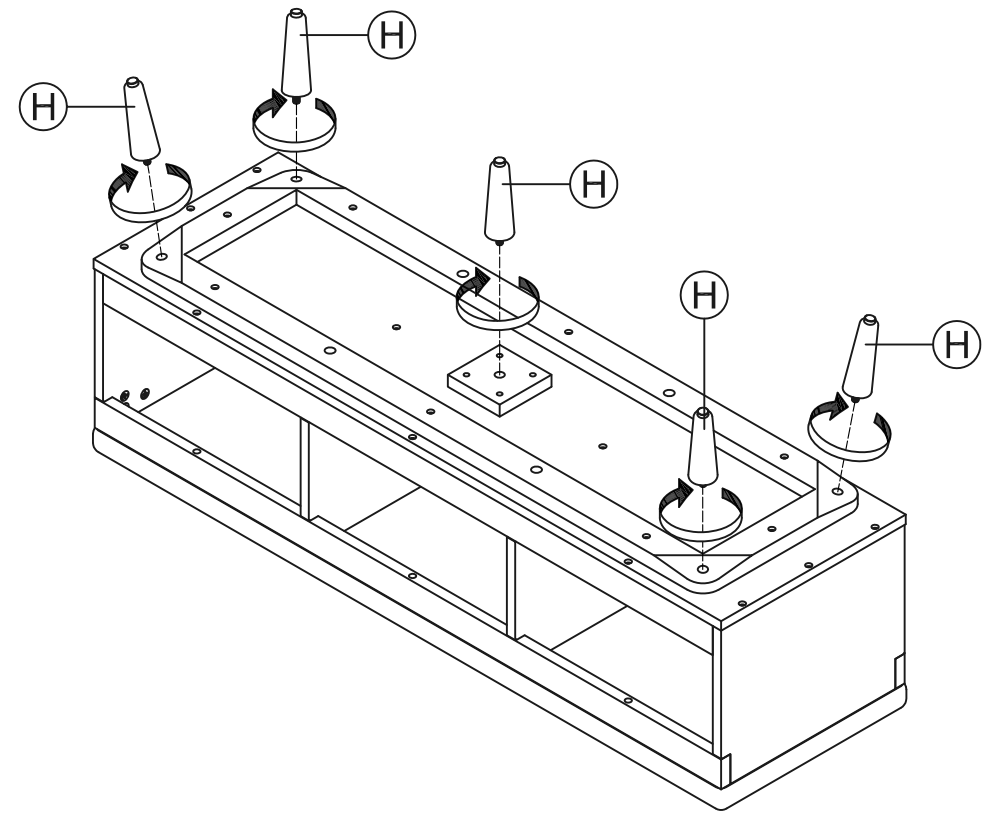
If any part is missing or damaged, do not attempt to assemble the product.

Estimated Assembly Time: 60 minutes.

Tools Required for Assembly : Phillips Screwdriver



**STEP 7** ATTACH BOTTOM ASSEMBLY TO UNIT USING 1 1/4" ROUND HEAD SCREWS AND DOWELS.



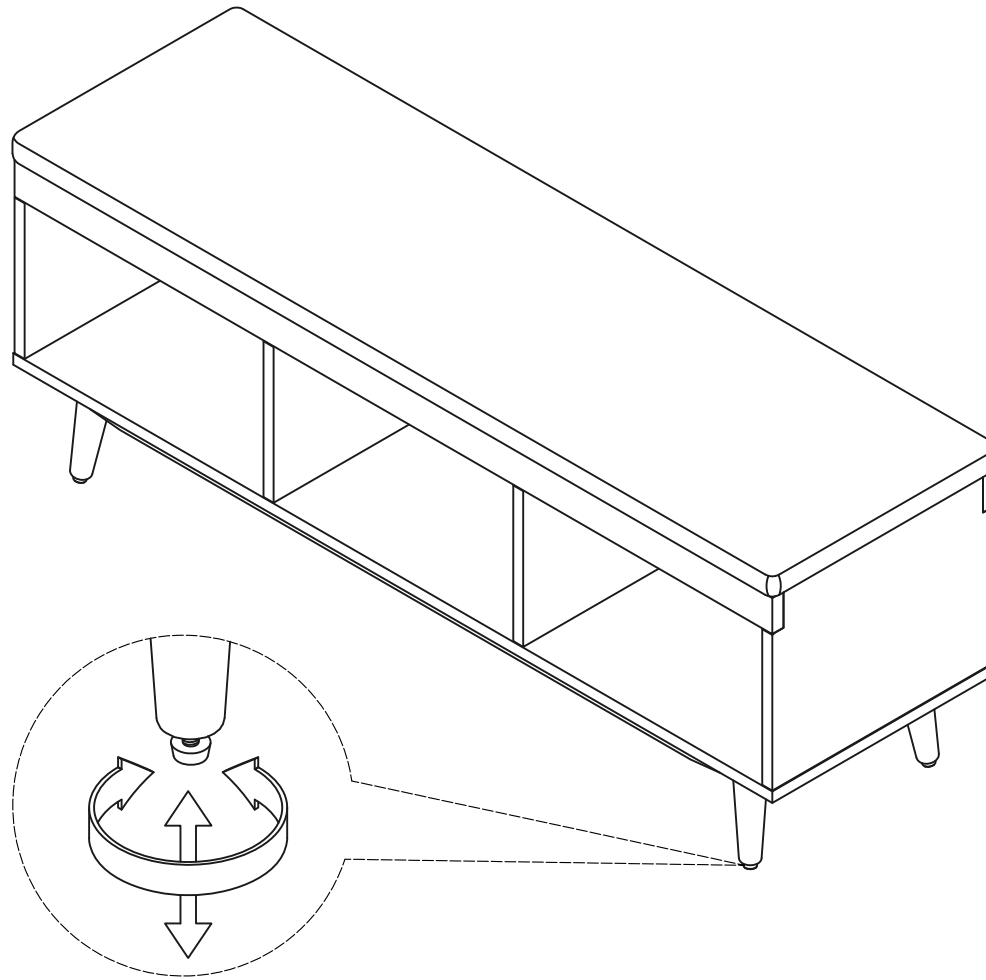
**STEP 8** ATTACH LEGS TO UNIT BY TURNING THE LEGS CLOCKWISE.

## PREPARATION

Before beginning assembly of product, make sure all parts are present. Compare parts with package contents list and hardware contents list.  
If any part is missing or damaged, do not attempt to assemble the product.

Estimated Assembly Time: 60 minutes.

Tools Required for Assembly : Phillips Screwdriver



**STEP 9** ADJUST THE ADJUSTER THAT HAS ALREADY BEEN ASSEMBLED TO THE LEGS TO STABILIZE YOUR UNIT.